

- Provides space and domestic hot water heating
- Durable cast iron heat exchanger design
- Made with Weil-McLain quality

HIGH EFFICIENCY CAST IRON BOILER

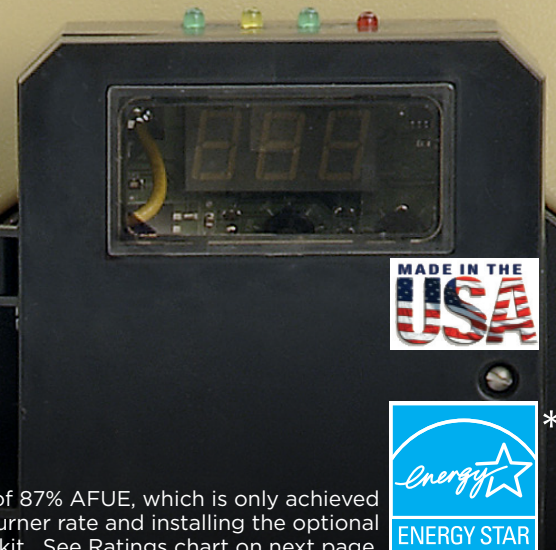
WTGO™

GOLD SERIES OIL BOILERS



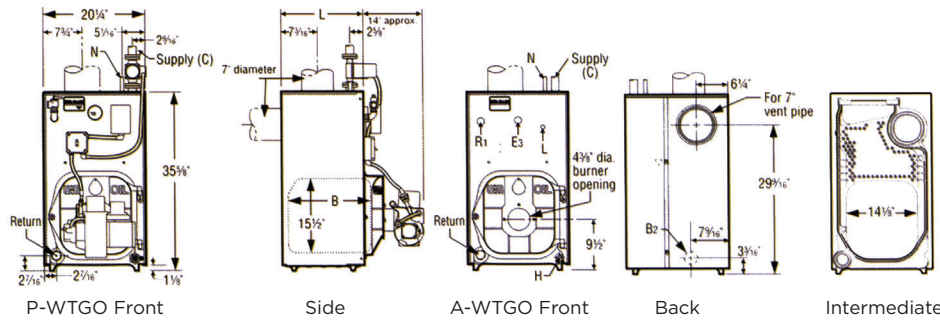
APPLICATIONS INCLUDE:

Residential
 Light Commercial
 Multiple Boilers
 Radiant Heating
 ...And Much More



*ENERGY STAR® requires a minimum of 87% AFUE, which is only achieved by these models by reducing the burner rate and installing the optional vent damper kit. See Ratings chart on next page.

DIMENSIONS



Tapping Location	Size (inches)	Control Tappings
B ₂	1 1/2	Alternate return - "A" units only
E ₃	1/2	Pressure/temperature gauge
H	3/4	Drain valve
L	3/4	High limit/circulator control
N	1/2	Piping to expansion tank or automatic air vent
R ₁	3/4	Relief valve

Model	Supply "C" (inches)			Dimension (inches)		Tankless Heater	
	P-WGO	A-WGO	Return (inches)	B	L	Number	Inlet & Outlet (NPT) (in) Temp Control (NPT) (in)
WTGO-3	1 1/4 (circulator flange)	1 1/2	1 1/2	13 1/2	16 7/8	WT-14	1/2 3/4
WTGO-3L	1 1/4 (circulator flange)	1 1/2	1 1/2	10 1/2	13 3/4	WT-14	1/2 3/4
WTGO-4	1 1/4 (circulator flange)	1 1/2	1 1/2	13 5/8	16 7/8	WT-14	1/2 3/4
WTGO-5	1 1/2 (circulator flange)	1 1/2	1 1/2	16 7/8	20	WT-14	1/2 3/4
WTGO-6	1 1/2 (circulator flange)	1 1/2	1 1/2	20	23 1/8	WT-14	1/2 3/4
WTGO-7	not applicable	1 1/2	1 1/2	23 1/8	26 1/4	WT-20	1/2 3/4
WTGO-8	not applicable	1 1/2	1 1/2	26 1/4	29 3/8	WT-20	1/2 3/4
WTGO-9	not applicable	1 1/2	1 1/2	29 3/8	32 1/2	WT-20	1/2 3/4

RATINGS

ENERGY STAR*	Model**	Burner Input Rating		AHRI Certified Ratings			Minimum Chimney Size			Approx. Shipping Weight (Lbs)		
		GPH (1)	MBH (3)	Heating Capacity (MBH) (2) (3)	Net Ratings (MBH) (3) (5)	AFUE	Tankless Heater Intermittent Draw Rating (6)	Draft Loss Through Boiler (in w/c)	Rectangular (in.)		Round (in.)	Height (ft.)
	WTGO-3LR	0.70	98	86	75	86.4	3.25	.010	8X8	6	15	540
	WTGO-3L	0.95	133	114	99	85.0	3.25	.010	8X8	6	15	540
*	WTGO-3RD	0.80	112	98	85	87.0	3.00	.010	8X8	6	15	595
	WTGO-3	0.95	133	115	100	85.3	3.00	.020	8X8	6	15	595
*	WTGO-4RD	1.00	140	123	107	87.0	3.75	.010	8X8	6	15	645
	WTGO-4	1.20	168	145	126	85.0	3.75	.010	8X8	6	15	645
*	WTGO-5RD	1.20	168	148	129	87.0	4.00	.015	8X8	7	15	760
	WTGO-5	1.45	203	175	152	85.0	4.00	.015	8X8	7	15	760
*	WTGO-6RD	1.40	196	173	150	87.0	4.25	.015	8X8	7	15	860
	WTGO-6	1.75	245	212	184	85.0	4.25	.015	8X8	7	15	860
*	WTGO-7RD	1.60	224	197	171	87.0	5.50	.015	8X8	8	15	930
	WTGO-7	2.00	280	242	210	85.0	5.50	.015	8X8	8	15	930
	WTGO-8	2.30	322	266	231 (4)	-	5.75	.025	8X12	8	20	1,030
	WTGO-9	2.55	357	295	257 (4)	-	6.00	.030	8X12	8	20	1,135

*ENERGY STAR® compliant with Version 3.0 Boiler Specification of 87% AFUE only when installed at the reduced burner rate (R) and with the optional vent damper kit (D). Burners shipped with standard rate nozzle, reduced rates achieved through nozzle change-refer to burner instructions or boiler's rating label for correct selection.

In the interest of continual improvements in product and performance, Weil-McLain reserves the right to change specifications without notice.



STANDARD EQUIPMENT:

- Factory Tested and Assembled Cast Iron Section Assembly (jacket and collector hood are not assembled on 7, 8 and 9 section blocks)
- Tankless Heater (P-units) or Tankless Opening Cover Plate (A-units)
- Insulated Steel Jacket
- Aluminized Steel Flue Collector Hood with Flue Cap on Top Outlet (convertible to rear outlet)
- Swing-Away Burner Mounting Door
- Refractory Blanket and Target Wall in Combustion Area
- Circulator (Taco 007)-When Ordered
- Comb. Temp. Controls, LWCO & Circulator Relay (all P-units/A-units ordered with tankless heater)
- Electrical Junction Box with Wiring Harnesses
- Junction Box Cover Plate with Service Switch
- Two Vent Pipe Brackets
- Pressure / Temperature Gauge
- 30 PSI ASME Relief Valve (boiler sections tested for 50 PSIG working pressure)
- Drain Valve
- Barometric Damper

OPTIONAL EQUIPMENT:

- High-Efficiency Flame-Retention Oil Burner (Beckett AFG, Carlin EZ or Riello). Specify 2-Stage Fuel Unit (optional) if Required
- Vent Damper Kit
- W-M 5 & 10 Year Homeowner Protection Plan
- W-M Indirect-Fired Water Heaters

NOTES:

** Add "P" for packaged boiler (WTGO-3 through WTGO-6 only). Add "A" for boiler only (WTGO-3 through WTGO-9).

- (1) No. 2 fuel oil-Commercial Standard Specification CS75-56. Heating value of oil-140,000 BTU/Gal.
- (2) Based on standard test procedures prescribed by the United States Department of Energy at combustion condition of 13 1/2% CO₂ and -0.02" W.C. draft.
- (3) MBH refers to thousands of BTU per hour.
- (4) AHRI gross output.
- (5) Net AHRI ratings are based on net installed radiation adequate for the requirements of the building, including a piping and pickup allowance of 1.15-sufficient for normal conditions. Provide additional allowance only for unusual piping and pickup loads.
- (6) Tankless heater rating is in gallons of water per minute, heated from 40°F to 140°F with 200°F boiler water temperature-tested in accordance with I-W-H Testing and Rating Standard for Indirect Tankless Water Heaters Test with Boilers.