

For Hot Water Boiler Applications

Job Name _____	Contractor _____
Job Location _____	Approval _____
Engineer _____	Contractor's P.O. No. _____
Approval _____	Representative _____

Series 374A-354A

ASME Water Pressure Relief Valves

for Pressure Protection of Hot Water Heating Boilers

Size: 3/4" (20mm)

Series 374A

Iron body with forged bronze inlet 30 psi (2 bars), 550,000 BTU/hr rating. Size 3/4" (20mm) only.

Series 354A

Iron body with forged bronze inlet 30 psi (2 bars) 490,000 BTU/hr rating. Size 3/4" (20mm) only.

FEATURES

- *Seat located above drain; water can't be trapped and sediment can't foul seat.*
- *Non-mechanical seat-to-disc alignment will not stick or freeze.*

SPECIFICATIONS

Boiler Relief Valves

An ASME Section IV certified pressure relief valve shall be installed on each boiler as noted. The valve shall have a BTU rating in excess of the BTU rating of the boilers heating output. Each hot water space heating boiler shall be equipped with a pressure relief valve set to relieve below the maximum boiler working pressure. The valve shall feature a raised seat and non-mechanical disc alignment. Valve shall be a Watts Series 374A or 354A.



Series 374A

Series 354A

OPERATION

As thermal expansion conditions develop, pressure builds up to the setting of the relief valve. This will cause discharging of small quantity of **water**.

Should operating controls fail, permitting runaway firing, the boiler water may reach steam temperatures. The valve will then open to discharge **steam** at the rate or faster than the boiler can generate it, thus restoring system pressure to a safer level.

Important: The discharge line must be the same size as the valve outlet, and must pitch downward from the valve to a safe place for disposal.

Valve lever must be tripped at least once a year to insure that waterways are clear. This device is designed for emergency safety relief and shall not be used as an operating control.

Watts product specifications in U.S. customary units and metric are approximate and are provided for reference only. Watts reserves the right to change or modify product design, construction, specifications, or materials without prior notice and without incurring any obligation to make such changes and modifications on Watts products previously or subsequently sold.

MATERIALS

Series 374A, 354A

- Iron body construction
- Nonmetallic disc-to-metal seating
- Bronze inlet (wetted parts)

PRESSURE - TEMPERATURE

No. 374A

Pressure range: rated up to 550,000 BTU/hr at a 30 psi (2 bars) setting only.

Series 354A

Pressure range: rated up to 490,000 BTU/hr at a 30 psi (2 bars) setting only.

Maximum Temperature: 250°F (121°C).

CAPACITY

BTU/hr Steam Pressure Discharge Capacities

As tested and rated by the National Board of Boiler and Pressure Vessel Inspectors

Series 374A, 354A

Set Pressure psi	bars	¾" x ¾" 20 x 20mm Model 374A	¾" x ¾" 20 x 20mm Model 354A
		30	2.07

STANDARDS



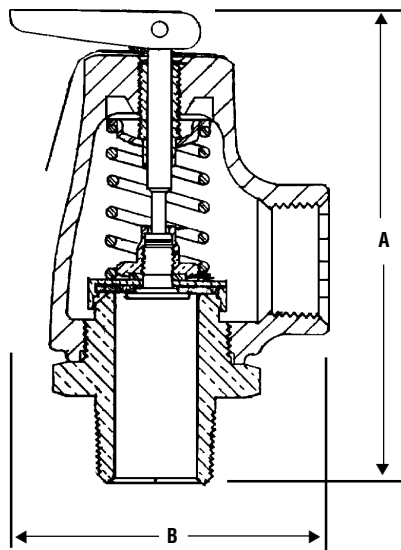
ASME

Tested and rated by A.S.M.E. National Board of Boiler and Pressure Vessel Inspectors.

Meets Military Spec. MIL-V-18634B, Type I, Class 3A, Style A (Bronze Body), Style B (Iron Body).

CRN # 061893.5C

DIMENSIONS - WEIGHTS Approximate



No.	Order No.	Connections Size DN		Height A		Length B		Weight	
		Female in.	Female mm	in.	mm	in.	mm	lbs.	kg.
374A	0358553	¾ x ¾	20 x 20	3⅞	92	2½	64	1.13	.5
354A	0353030	¾ x ¾	20 x 20	3⅞	90	2	51	.75	.3



USA: 815 Chestnut St., No. Andover, MA 01845-6098; www.wattsreg.com
Canada: 5435 North Service Rd., Burlington, ONT. L7L 5H7; www.wattsca.com

