



Tecumseh Products Company

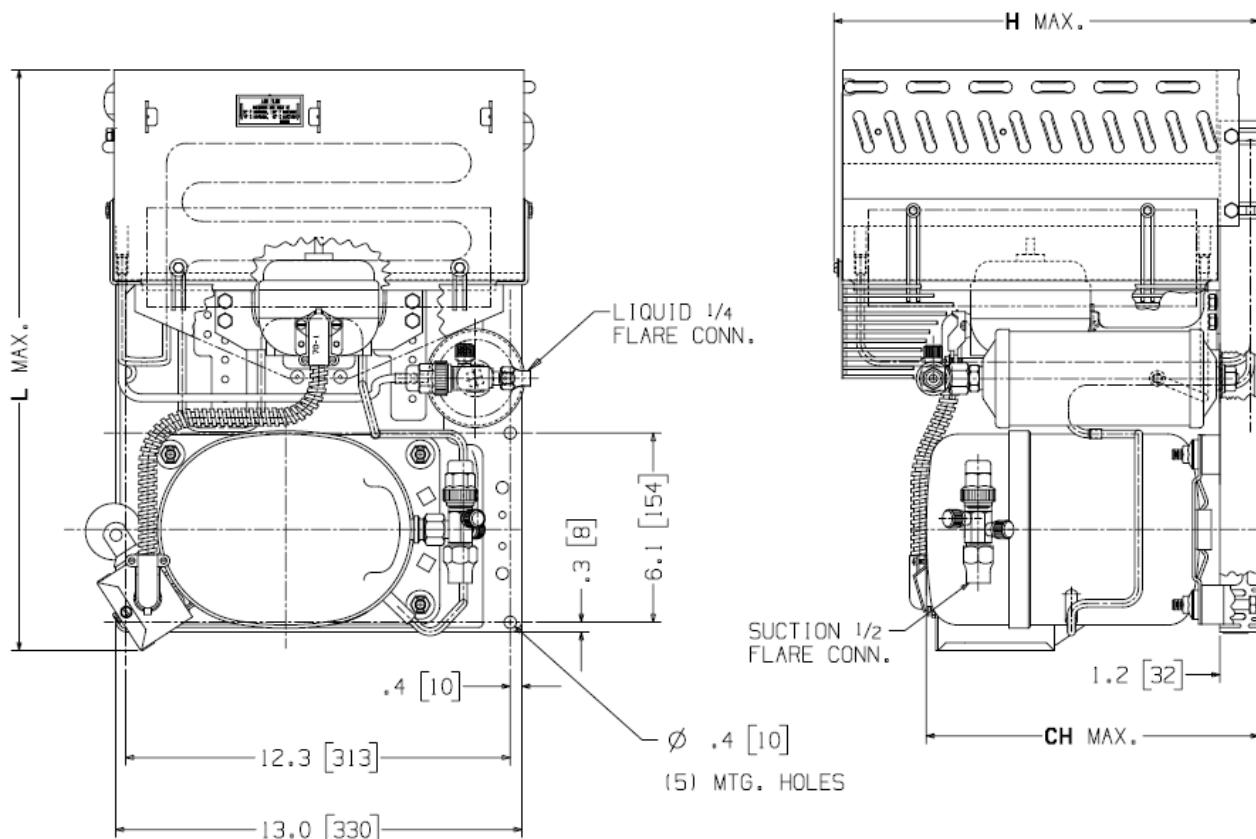
Hermetic Condensate Evaporative Unit

Model: AKA4476YXAEB

BoM: 32V247-4CDN

R-134a

1/2 HP



Model	Dimensions, inches				Line Connection*		Pumpdown	Air	Oil Ch	Gr. Wt.
	L	W	H	CH	Suction	Liquid	90 °F 90%	SCFM	Oz.	Lbs.
AKA4476YXAEB	18.6	14.9	13.6	10.6	1/2" F	1/4" F	3.0	575	17	76

* F = Flare, S = Solder, RF or RS = Rotolock with Flare or Solder Connections, C = Compression Fitting
Factory charge: 20 PSIG Nitrogen – **MUST BE EVACUATED**

Evaporator T, °F	Ambient Temperatures												
	PSIG	80°F			90°F			100°F			110°F		
		BTUH	Watts	Cond T	BTUH	Watts	Cond T	BTUH	Watts	Cond T	BTUH	Watts	Cond T
20	18.6	4830	810	104	4400	840	112	3980	860	121	3570	870	129
25	22.3	5420	870	107	4950	900	115	4510	920	123	4070	940	131
30	26.3	6030	920	110	5530	960	118	5050	980	126	4580	1010	134
35	30.6	6660	980	113	6130	1020	121	5610	1050	129	5100	1090	137
40	35.2	7310	1050	117	6730	1090	125	6170	1130	132	5620	1170	140
45	40.2	7970	1110	120	7350	1160	128	6740	1200	136	6140	1250	143
50	45.6	8640	1180	124	7960	1230	132	7300	1280	139	6650	1340	146

60 Hz Performance

Return gas temp. 65°F, 5°F sub cooling

Specifications/ Parts:

Unit Model	AKA4476YXAEB
Unit Bill of Material	32V247-4CDN
Refrigeration Range	20 F to 55° F
Design Pressure Low	150
Design Pressure High	450
Nominal Volts-Hz-Ph	115/60/1
Voltage Range	103-127
Min. Circuit Ampacity	15.53
Max. Fuse Size (amps)	25
Compressor Model	AKA4476YXA
Comp. Bill of Material	AK169AT-038-J7
Compressor RLA/LRA	11.3/58.8
Overload	8300MRAM53
Relay	8200EMBJ98
Run Capacitor	N/A
Start Capacitor	85PS125D59

Fan Motor	810M035B69
Fan Motor RLA	1.4
Fan Blade	51541-1
Fan Shroud	70724-2
Fan Guard	N/A
Condenser	50798-4
Liquid Valve	31584-1
Suction Valve	31579-1
Power Cord	N/A
Unit Drawing	DGU1915-4V
Wiring Diagram	90701
Replacement Kit: Relay	K71-02
Replacement Kit: O/L	K90-27
Replacement Kit: St. Cap	K146-52

Electrical Diagram

