



IG Series

Flat Hot Surface Furnace Igniters

Supco's IG series flat hot surface igniters offer dependable ignition in all heating applications; including furnaces, boilers, rooftops, unit heaters, water heaters, swimming pool heaters and many other types of heating equipment. The SUPCO Flat Igniters offer an efficient, stronger more reliable hot surface Silicon Carbide (SiC) composition that uses a PATENT PENDING NANOTECHNOLOGY, compared to the existing Silicon Carbide design that has been used in heating equipment for years.

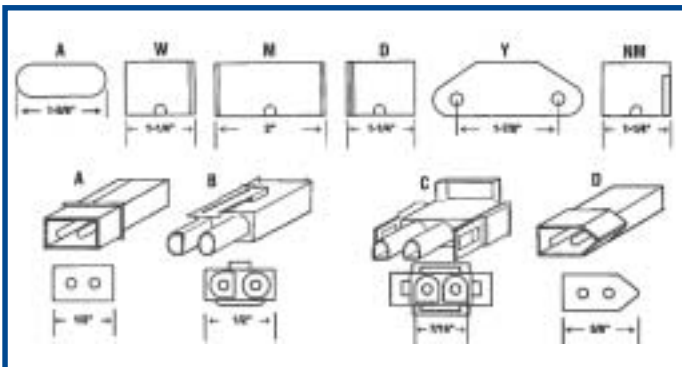


IG402K



IG403K

Seven kits are available. Two universal and five exact kits that replace thirteen Robertshaw part numbers to minimize inventory.



Features/Benefits

- Faster time to temperature response
- Stronger more durable design
- More robust in transit
- Higher resistance to oxidation
- Longer usable life
- 18 gauge nickel copper high temperature fiberglass insulated lead wires
- All kits include the necessary hardware, instructions (where applicable) and cross reference information for easy installation.
- Lower power consumption
- Superior gas lighting ability



Specifications

- Time to temperature (1800° F): < 17 seconds @ 102 VAC
- Voltage: 120 VAC
- Amperage: 3.5 – 5 AMPS @ 132 VAC maximum
- Cold Resistance: 40 - 100 OHMS @ 75°F +/- 10°F

Product Information

SUPCO P/N UNIVERSAL KITS	ROBERTSHAW P/N	CERAMIC BLOCK	TERMINAL CONNECTOR
IG402K	41-402	W	N/A
	41-408	W	C
	41-410	W	B
	41-411	W	C
IG403K	41-403	M	N/A
	41-404	M	D
	41-407	M	B
	41-409	M	D
Exact Kits			
IG401	41-401	A	A
IG405	41-405	D	N/A
IG406	41-406	Y	N/A
IG412	41-412	NM	D
IG414	41-414	NM	D

IG402K Cross Reference

OEM	OEM P/N	Robertshaw P/N	Exact	Functional
American Road Equipment	201W	41-402		X
Armstrong Air	38322B001	41-402		X
Claire Brothers	C-238	41-402		X
Claire Brothers	C-242	41-402		X
Coleman	1474-051	41-402		X
Coleman	1474-052	41-402		X
DMO Industries	20834	41-402		X
Dornback Furnace	271 W	41-402		X
Enerco Tech	10399	41-402		X
Evcon	1474-051	41-402		X
Evcon	1474-052	41-402		X
HUPP Industries	9050	41-402		X
Majestic	75-92-104	41-402		X
Majestic	75-92-105	41-402		X
Metzger	201N	41-402		X
Metzger	201W	41-402		X
Mor Flo	3200618	41-402		X
Nordyne	105141000	41-402		X
Nordyne	632-0880	41-402		X
Nordyne	632-0770	41-402		X
Norton	201K	41-402		X
Norton	201L	41-402		X
Norton	201R	41-402		X
Norton	201W	41-402		X
Norton	271N	41-402		X
Norton	271W	41-402		X
Rheem	62-22441-01	41-408	X	
Rheem	62-22441-01	41-402		X
Rheem	62-22868-82	41-411	X	
Roberts Gordon	90436600	41-402		X
Superior Fireplace	94851	41-402		X
Trane Company	B144676P01	41-410	X	
Trane Company	B340039P01	41-408	X	
Trane Company	340039P01	41-402		X
Trane Company	IGN23	41-402		X
Trane Company	IGN34	41-408	X	
Wayne Home Equipment	62821-001	41-402		X
Wayne Home Equipment	62821-002	41-402		X
White LB Company	120-07549	41-402		X
White Rodgers	767A-357	41-402		X
Williamson	9050	41-402		X

Supco Flat Igniter Cross Reference

SUPCO P/N	OEM P/N	OEM	Robertshaw P/N	Exact P/N	Functional
IG401	Amana	B1336102	41-401	X	
IG401	Amana	D99182	41-401	X	
IG401	Amana	10041601	41-401	X	
IG401	Norton	201A	41-401	X	
IG401	Norton	271A	41-401	X	
IG401	Trianco-Heatmaker	2600-359	41-401	X	
IG401	White Rodgers	767A309	41-401	X	
IG401	White Rodgers	767A356	41-401	X	
IG405	Detroit Radiant	201D	41-405	X	
IG405	Norton	201D	41-405	X	
IG405	Norton	271P	41-405	X	
IG405	Smith HB	50018	41-405	X	
IG405	Viessman	9302094	41-405	X	
IG405	White Rodgers	767A361	41-405	X	
IG405	York International	025-27766-000	41-405	X	
IG405	York International	025-27774-000	41-405	X	
IG405	York International	025-29043-000	41-405	X	
IG405	York International	025-29050-000	41-405	X	
IG406	American Appliance	271B	41-406	X	
IG406	Comfort Zone	150114-04-01	41-406	X	
IG406	Mor Flo	3200580	41-406	X	
IG406	Mor Flo	3210401	41-406	X	
IG406	Norton	201J	41-406	X	
IG406	Norton	201M	41-406	X	
IG406	Norton	201N	41-406	X	X
IG406	Norton	201Y	41-406	X	
IG406	Norton	271M	41-406	X	
IG406	Norton	271Y	41-406	X	
IG406	Perfection Schwank	108803-G1	41-406	X	
IG406	Weil Mclain	511-330-188	41-406	X	
IG412	Goodman	B1401009	41-412	X	
IG412	Intercity Products	1009604	41-412	X	
IG414	Arcoaire	1096048	41-414	X	
IG414	Arcoaire	1380680	41-414	X	
IG414	Comfor tmaker	1096048	41-414	X	
IG414	Heil	1096048	41-414	X	
IG414	Intercity Products	1096048	41-414	X	
IG414	Norton	271NM	41-414	X	
IG414	Tempstar	1096048	41-414	X	

Note: Partial Cross Reference. Contact SUPCO for complete Cross Reference.

IG403K Cross Reference

OEM	OEM P/N	Robertshaw P/N	Exact	Functional
Carrier Corp	LH33ZS001A	41-409	X	
Carrier Corp	LH33ZS002	41-409	X	
Ducane	20015201	41-409	X	
Norton	201	41-403		X
Norton	271	41-403		X
Raypak	600915	41-403		X
Roberts Gordon	90434300	41-409		X
Snyder General	1380672	41-409	X	
Snyder General	1380680	41-409	X	
Snyder General	1380654	41-403		X
Trane Company	B138196P01	41-403		X
Trane Company	IGN26	41-409	X	
Trane Company	IGN26	41-403		X
Trane Company	IGN30	41-407	X	
Trane Company	IGN30	41-403		X
Weil Mclain	511-330-139	41-409	X	
Weil Mclain	511-330-193	41-403		X
Weil Mclain	511-330-190	41-404	X	



SEALED UNIT PARTS CO., INC.
 PO Box 21, 2230 Landmark Place, Allenwood, NJ USA
 732-223-6644 • Fax 732-223-1617
 www.supco.com • info@supco.com