

SAFE-T-SWITCH®

US Patent No.: 6,698,215

MODEL SS3 INSTALLATION INSTRUCTIONS

NOTICE: FAILURE TO READ AND COMPLY WITH ALL WARNINGS, CAUTIONS AND INSTRUCTIONS PRIOR TO STARTING INSTALLATION MAY CAUSE PERSONAL INJURY AND/OR PROPERTY DAMAGE AND VOID WARRANTEE.

WARNING Electric shock hazard – Disconnect power supply before installing Safe-T-Switch® to avoid electrical shock and/or equipment damage. Do not use on circuits exceeding 24 volts to avoid damage to switch and shock or fire hazard.

CAUTION: May cause unit to cycle on and off rapidly as water level in pan approaches the shut-off point prior to switch cycling totally off. Drain must be serviced if this occurs.

CAUTION: In any installation where property damage and/or personal injury might result from an inoperative switch due to power outages, a backup system and/or alarm should be installed.

AUXILIARY DRAIN PAN INSTALLATION:

1. Disconnect power to unit at main panel.
2. Clip switch bracket onto side of pan at low end and press firmly into place ensuring switch wires are positioned up. Ensure float moves freely.
3. Secure bracket into side of pan using self-tapping sheet metal screw through upper hole in bracket.
4. Ensure float switch assembly is firmly secured to bracket. Ensure top of float is below rim of pan. Switch will trip when water level reaches a point even with top of float (when float is in down position). Sensitivity may be adjusted by threading switch assembly downward out of bracket if necessary.
5. Wire switch as instructed under Wiring, below.
6. Test switch by lifting float with unit on. Unit should stop running if switch is correctly wired.
7. Test switch sensitivity: Fill pan and confirm that switch stops unit before pan overflows.
8. Place warning sticker on air handler or condenser unit.

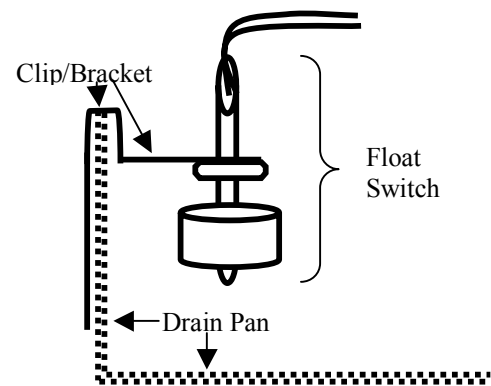


Figure 1: Installation on drain pan.

WIRING:

1. **WARNING: Disconnect power to unit at main panel prior to performing electrical work.**
2. If not present, it is recommended that an inline fuse and a delay to protect 24-volt circuit be installed.
3. Locate 24-volt thermostat cable entering air handler unit. Disconnect or cut red wire and connect to switch lead using wire nut. Connect other switch lead to air handler terminal. Incorporating switch in red circuit shuts entire unit, fan continues to run if incorporated in yellow circuit (inhibits mold during long absences).
4. Test switch by lifting float while unit is on. If wired correctly, unit will stop when float is lifted.

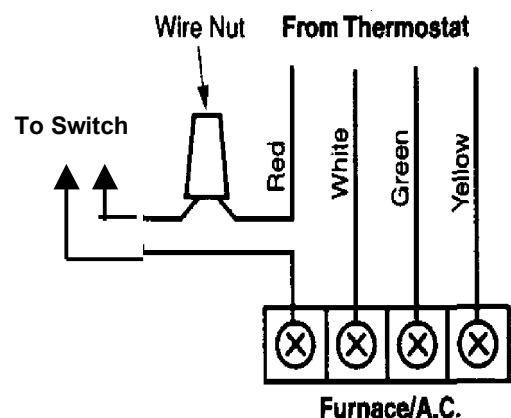


Figure 2: Wiring Diagram for Unit Shutdown.