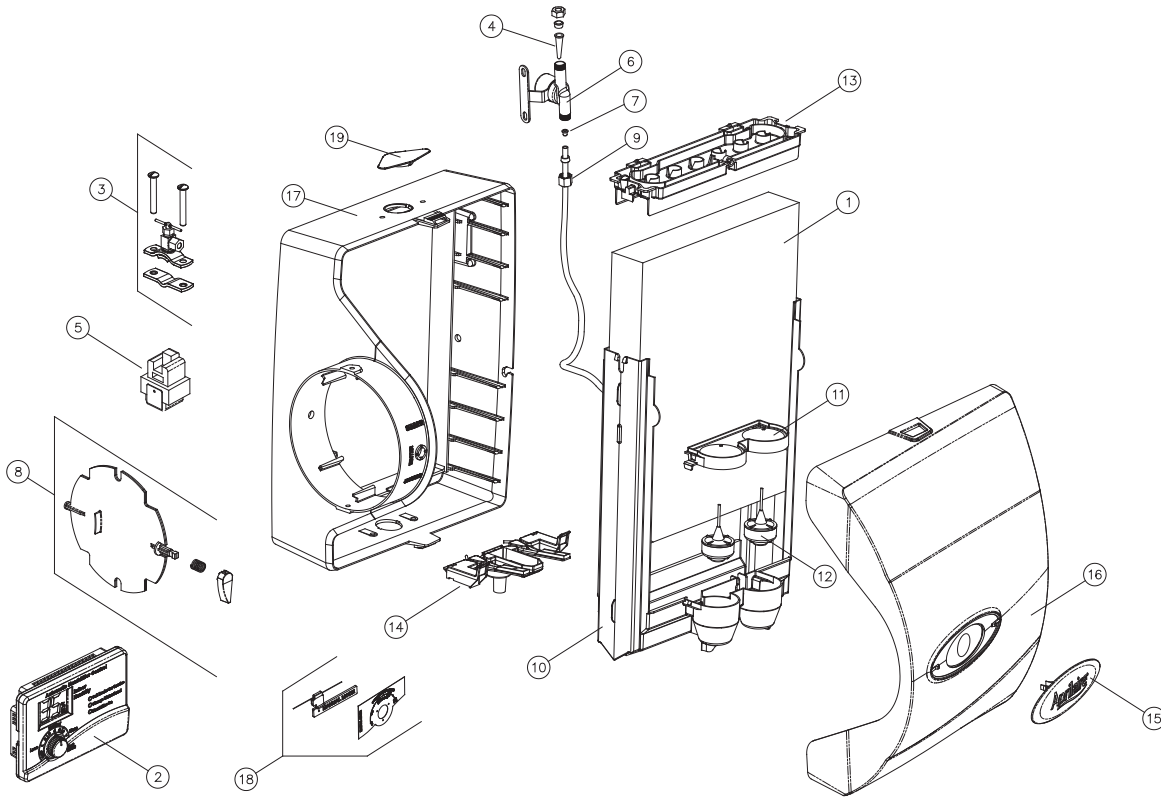


Aprilaire®

DEALER PARTS LIST

MODEL 400M & 400*

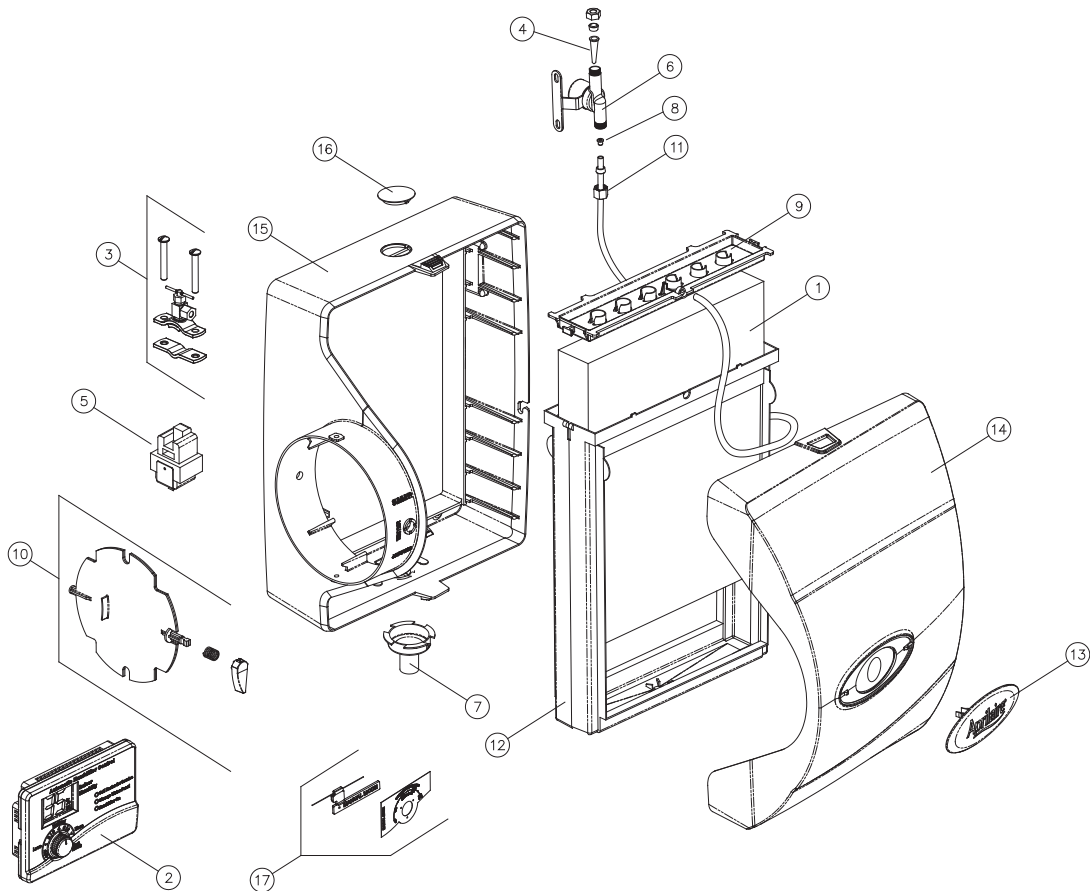


Instructions for Ordering Parts Specify:
MODEL NO. — PART NAME — PART NO.

NO.	PART NAME	QTY/CTN	Model 400 M PART NO.	Model 400 PART NO.
1	Water Panel Evaporator	10 (5-2 pks.)	45	45
2	Automatic Digital Humidifier Control	1	N/A	58
3	Saddle Valve	1	4001	4001
4	In-line Strainer	12	4004	4004
5	Transformer	1	4010	4010
6	Water Solenoid Valve (24 Volt)	1	4040	4040
7	Orifice (Yellow)	144 (12-12 pks.)	4231	4231
8	Damper Assy	1	4332	4332
9	Feed Tube with Compression Sleeve	1	4335	4335
10	Scale Control Insert w/Float Chamber	6	4403	4403
11	Float Cover	1	4405	4405
12	Float Assembly	1	4406	4406
13	Water Distribution Tray	1	4407	4407
14	Water Level Sensor Assembly	1	4410	4410
15	Name Plate	1	4726	4726
16	Cover	1	4728	4728
17	Base	1	4734	4734
18	Resistor Case & Manual Mode Label	1	N/A	4737
19	Hole Plug	1	4741	4741
OTHER PARTS				
	Outdoor Temperature Sensor	1	N/A	8052
	Current Sensing Relay	1	50	50
	Saddle Valve Adapter	6	4229	4229
	Shock Arrestor	1	4280	4280
	Manual Humidifier Control	1	4655	N/A
	Blower Activation Relay	10	4851	4851

*Blue/grey colored housings with Automatic Digital Humidifier Control

MODEL 500M & 500*

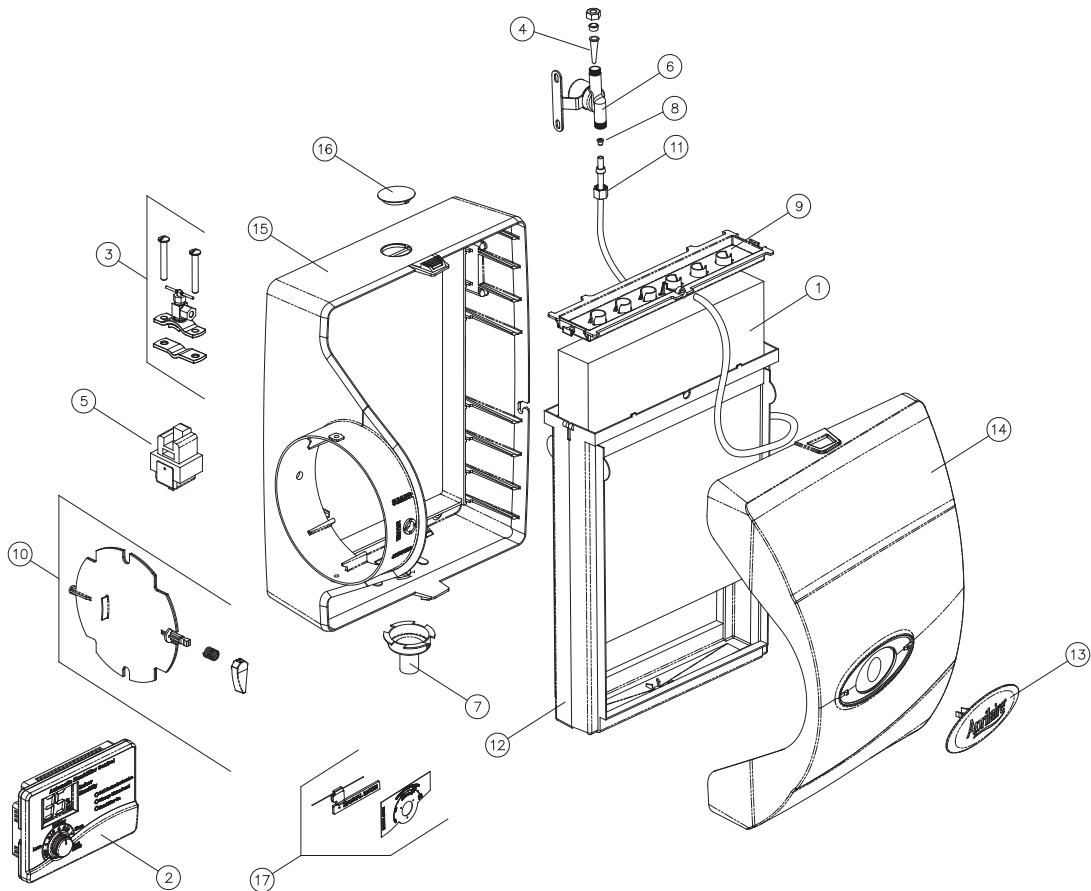


Instructions for Ordering Parts Specify:
MODEL NO. — PART NAME — PART NO.

NO.	PART NAME	QTY/CTN	Model 500 M	Model 500
			PART NO.	PART NO.
1	Water Panel® Evaporator	10	10	10
2	Automatic Digital Humidifier Control	1	N/A	58
3	Saddle Valve	1	4001	4001
4	In-line Strainer	12	4004	4004
5	Transformer	1	4010	4010
6	Water Solenoid Valve (24 Volt)	1	4040	4040
7	Drain Spud	6	4223	4223
8	Orifice (Yellow)	144 (12 - 12 pks.)	4231	4231
9	Water Distribution Tray	1	4331	4331
10	Damper Assembly	1	4332	4332
11	Feed Tube with Compression Sleeve	1	4335	4335
12	Scale Control Insert	10	4640	4640
13	Name Plate	1	4726	4726
14	Cover	1	4727	4727
15	Base	1	4730	4730
16	Hole Plug	1	4733	4733
17	Resistor Case & Manual Mode Label	1	N/A	4737
OTHER PARTS				
	Manual Humidifier Control	1	4655	N/A
	Outdoor Temperature Sensor	1	N/A	8052
	Current Sensing Relay	1	50	50
	Saddle Valve Adapter	6	4229	4229
	Shock Arrestor	1	4280	4280
	Blower Activation Relay	10	4851	4851

*Blue/grey colored housings with Automatic Digital Humidifier Control

MODEL 600M & 600*

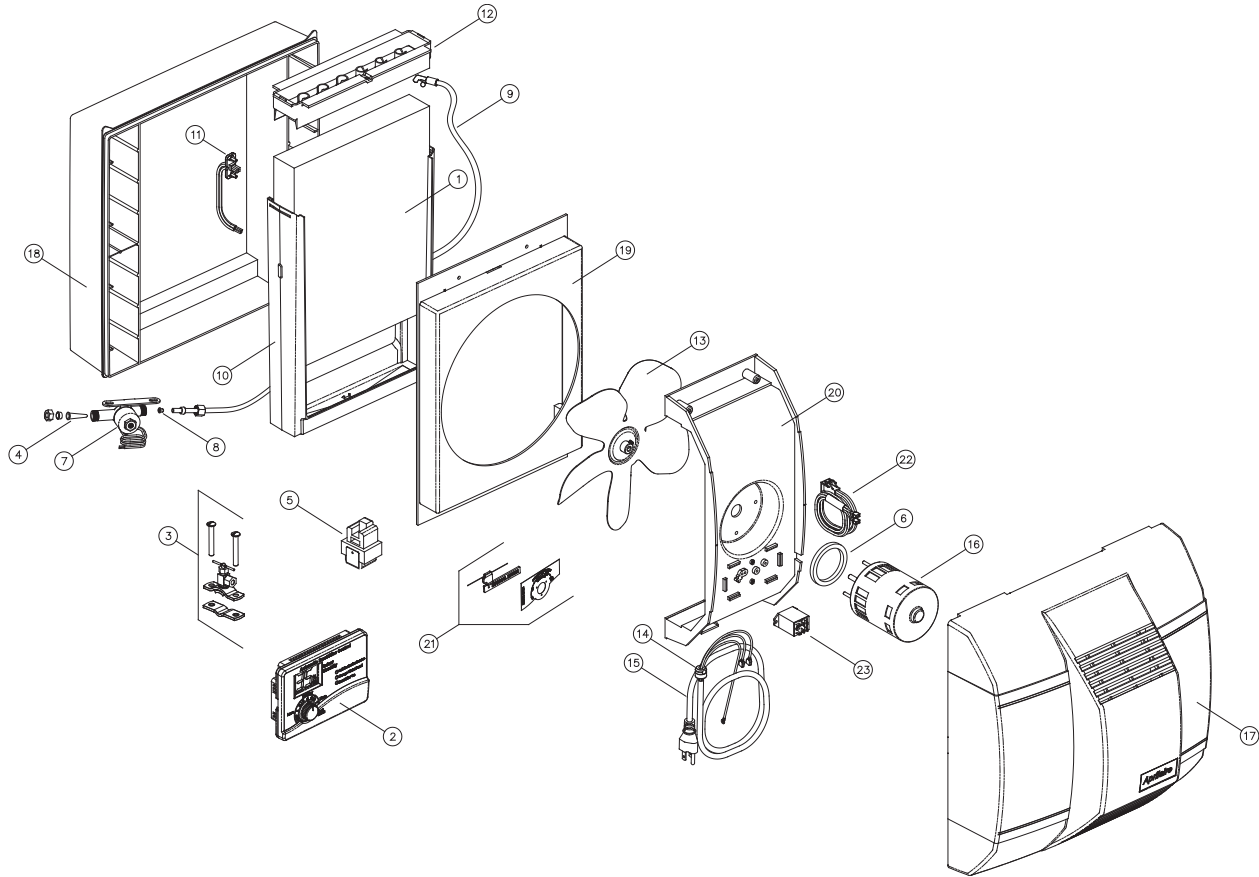


Instructions for Ordering Parts Specify:
MODEL NO. — PART NAME — PART NO.

NO.	PART NAME	QTY/CTN	Model 600 M	Model 600
			PART NO.	PART NO.
1	Water Panel® Evaporator	10	35	35
2	Automatic Digital Humidifier Control	1	N/A	58
3	Saddle Valve	1	4001	4001
4	In-line Strainer	12	4004	4004
5	Transformer	1	4010	4010
6	Water Solenoid Valve (24 Volt)	1	4040	4040
7	Drain Spud	6	4223	4223
8	Orifice (Yellow)	144 (12 - 12 pks.)	4231	4231
9	Water Distribution Tray	1	4331	4331
10	Damper Assembly	1	4332	4332
11	Feed Tube with Compression Sleeve	1	4335	4335
12	Scale Control Insert	8	4330	4330
13	Name Plate	1	4726	4726
14	Cover	1	4728	4728
15	Base	1	4731	4731
16	Hole Plug	1	4733	4733
17	Resistor Case & Manual Mode Label	1	N/A	4737
OTHER PARTS				
	Manual Humidifier Control	1	4655	N/A
	Outdoor Temperature Sensor	1	N/A	8052
	Current Sensing Relay	1	50	50
	Saddle Valve Adapter	6	4229	4229
	Shock Arrestor	1	4280	4280
	Blower Activation Relay	10	4851	4851

*Blue/grey colored housings with Automatic Digital Humidifier Control

MODEL 700M & 700*



Instructions for Ordering Parts Specify:
MODEL NO. — PART NAME — PART NO.

NO.	PART NAME	QTY/CTN	Model 700 M	Model 700
			PART NO.	PART NO.
1	Water Panel Evaporator	10	35	35
2	Automatic Digital Humidifier Control	1	N/A	58
3	Saddle Valve	1	4001	4001
4	In-line Strainer	12	4004	4004
5	Transformer	1	4010	4010
6	Cork Isolator	6	4031	4031
7	Water Solenoid Valve (24 Volts)	1	4040	4040
8	Orifice (Blue)	144 (12-12 pks.)	4232	4232
9	Feed Tube with Nozzle	1	4235	4235
10	Scale Control Insert	12	4236	4236
11	Male Disconnect Assembly	1	4240	4240
12	Water Distribution Tray	1	4246	4246
13	Fan Blade	1	4247	4247
14	Electrical Grommet	1	4249	4249
15	Power Cord	1	4664	4664
16	Motor	1	4670	4670
17	Cover	1	4729	4729
18	Base	1	4732	4732
19	Orifice Plate	1	4735	4735
20	Bridge	1	4736	4736
21	Resistor Case & Manual Mode Label	1	N/A	4737
22	Female Disconnect Assembly	1	4739	4739
23	Relay	1	4740	4740
	Manual Humidifier Control	1	4655	N/A
	Outdoor Temperature Sensor	1	N/A	8052
	Current Sensing Relay	1	50	50
	Saddle Valve Adapter	6	4229	4229
	Shock Arrestor	1	4280	4280
	Blower Activation Relay	10	4851	4851

*Blue/grey colored housings with Automatic Digital Humidifier Control

