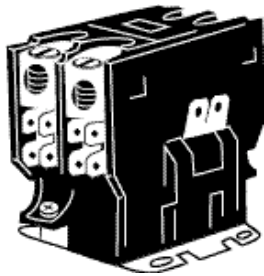


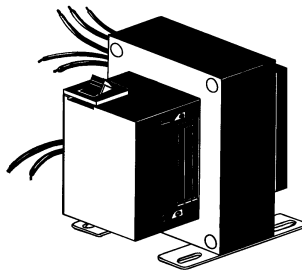
# JARD<sup>®</sup>

## MAGNETICS

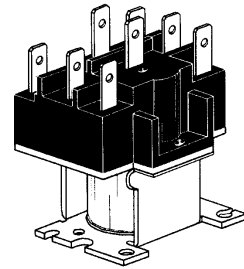
### Contactors



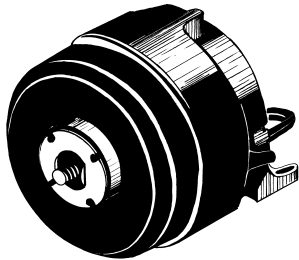
### Control Transformers



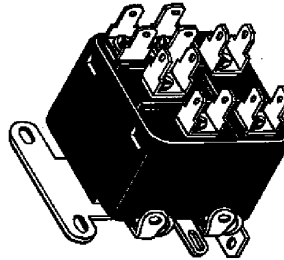
### Fan Relays



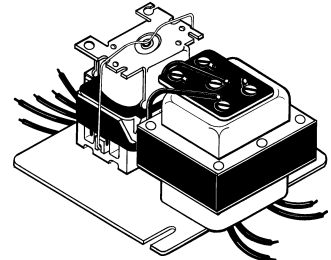
### Watt Motors



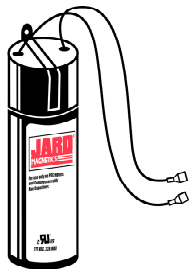
### Potential Relays



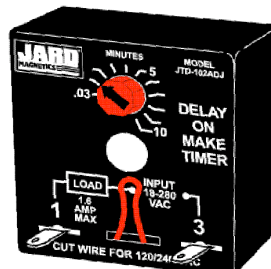
### Fan Centers



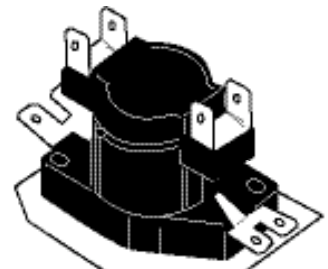
### Jump Start



### Time Delays



### Heat Sequencing



## STANDARD PRODUCTS CATALOG

784 U.S. Highway One • Suite 16 • North Palm Beach, FL 33408

Telephone: (561) 775-0303 • Fax: (561) 775-7885 • [www.JARD.com](http://www.JARD.com)

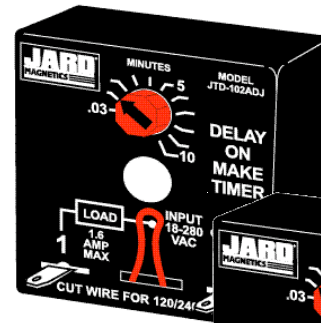
Customer Service: 866-904-5273 (866-904-JARD) • Fax: 866-527-3329 (866-JARD-FAX)



## Adjustable 0-10 Minute Time Delays

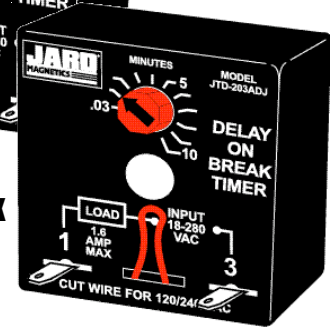
JARD INTRODUCES HIGH-QUALITY, VALUE-CONSCIOUS ADJUSTABLE TIME DELAYS

- 10-280 VAC, 50/60 Hz
- Maximum current 1.6A



**DELAY ON MAKE  
JTD-102ADJ**

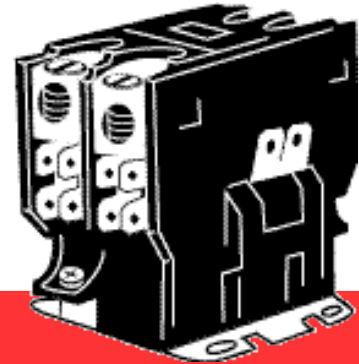
**DELAY ON BREAK  
JTD-203ADJ**



**TRY JARD'S NEW TIME DELAYS!**

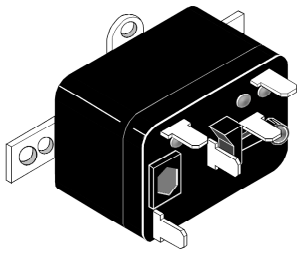
## Definite Purpose Contactors with Box Lugs-CL Series

JARD is pleased to introduce 30A and 40A UL Recognized Single, Double, and Three Pole Definite Purpose Contactors. The CL Series features both Box Lugs and Quick Connect Terminals for quick and secure connections. High Quality and Low Cost make JARD Definite Purpose Contactors the preferred choice!

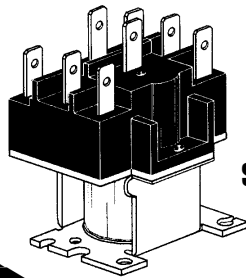


**REPLACES**

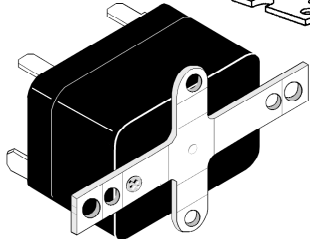
JARD P/N	Description	Furnas	Cutler-Hammer	SQ D	GE	Honeywell
JC-4143CL	1P, 30A, 24V w/Q.C. & Box Lugs	45EG10AJA 45EG10AJL1	C25CNB130T	8910DP31V14	453CC3HAA	DP1030A5013
JC-4144CL	1P, 30A, 120V w/Q.C. & Box Lugs	45EG10AFA 45EG10AFAL1	C25CNB130A	8910DP31V02	453CC3AAA	—
JC-4145CL	1P, 30A, 208/240V w/Q.C. & Box Lugs	45EG10AGA 45EG10AGAL1	C25CNB130B	8910DP31V09	453CC3BAA	—
JC-4107CL	2P, 30A, 24V w/Q.C. & Box Lugs	45EG20AJ 45EG20AJL1	C25BNB230T	8910DP32V14	453CC2FAA	DP2030A5004 DP2030A5012 DP2030A1003
JC-4108CL	2P, 30A, 120V w/Q.C. & Box Lugs	45EG20AF 45EG20AFL1	C25BNB230A	8910DP32V02	453CC2AAA	DP2030B5003 DP2030B5011 DP2030B1002
JC-4109CL	2P, 30A, 208/240V w/Q.C. & Box Lugs	45EG20AG 45EG20AGL1	C25BNB230B	8910DP32V09	453CC2BAA	DP2030C5002 DP2030C5010 DP2030C1001
JC-4161CL	2P, 40A, 24V w/Q.C. & Box Lugs	45GG20AJ 45GG20AJL1	C25BNB240T C25BNF240T	8910DP42V14	453CE2HBB	DP2040A2003 DP2040A1002
JC-4162CL	2P, 40A, 120V w/Q.C. & Box Lugs	45GG20AF 45GG20AFL1	C25BNB240A C25BNF240A	8910DP42V02	453CE2ABB	DP2040B5002 DP2040B1001
JC-4163CL	2P, 40A, 208/240V w/Q.C. & Box Lugs	45GG20AG 45GG20AGL1	C25BNB240B C25BNF240B	8910DP42V09	453CE2BBB	DP2040C5001 DP2040C1000
JC-4113CL	3P, 30A, 24V w/Q.C. & Box Lugs	42BF35AJ	C25DND330T	8910DPA33V14	453AC3HAA	DP3030A2003 DP3030A1002
JC-4114CL	3P, 30A, 120V w/Q.C. & Box Lugs	42BF35AF	C25DND330A	8910DPA33V02	453AC3AAA	DP3030B5002 DP3030B1001
JC-4115CL	3P, 30A, 208/240V w/Q.C. & Box Lugs	42BF35AG	C25DND330B	8910DPA33V09	453AC3BAA	DP3030C5001 DP3030C1000



**SERIES 290,  
360, 370, 380**



**SERIES 340**



## Fan Relays

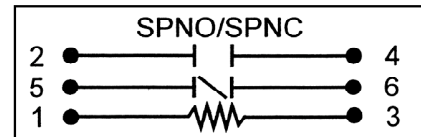
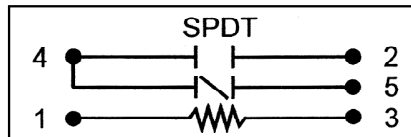
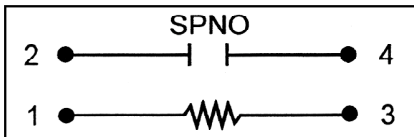
JARO Magnetics is pleased to introduce a value priced line of General Purpose and Heavy Duty Fan Relays designed to perform quietly and reliably for years of trouble free service. JARO Relays are non-positional as well as UL recognized. Choose JARO Relays for Quality and Value.

### CONTACT RATING

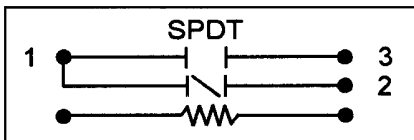
JARO No.	Indus. No.	Coil VAC	Contact Type	Locked-Rotor Inrush-LRA				Resistive				Inductive Full Load-FLA			
				120	250	277	480	120	250	277	480	120	250	277	480
JFR-290	90290	24	SPNO	18	18			16	16			8	8		
JFR-291	90291	120	SPNO	18	18			16	16			8	8		
JFR-292	90292	208/240	SPNO	18	18			16	16			8	8		
JFR-293	90293	24	SPDT	18	18			16	16			8	8		
JFR-294	90294	120	SPDT	18	18			16	16			8	8		
JFR-295	90295	208/240	SPDT	18	18			16	16			8	8		
JFR-340	90340	24	DPDT	72		36	18	15		15	10	12		6	3
JFR-341	90341	120	DPDT	72		36	18	15		15	10	12		6	3
JFR-342	90342	208/240	DPDT	72		36	18	15		15	10	12		6	3
JFR-343	90343	24	SPDT	72		36	18	15		15	10	12		6	3
JFR-360	90360	24	SPNO	60	48	42		18	18	18		12	8	7	
JFR-362	90362	120	SPNO	60	48	42		18	18	18		12	8	7	
JFR-364	90364	208/240	SPNO	60	48	42		18	18	18		12	8	7	
JFR-370	90370	24	SPDT	60	48	42		18	18	18		12	8	7	
JFR-372	90372	120	SPDT	60	48	42		18	18	18		12	8	7	
JFR-374	90374	208/240	SPDT	60	48	42		18	18	18		12	8	7	
JFR-377	90377	277	SPDT	60	48	42		18	18	18		12	8	7	
JFR-380	90380	24	SPNO/SPNC	60	48	42		18	18	18		12	8	7	
JFR-382	90382	120	SPNO/SPNC	60	48	42		18	18	18		12	8	7	
JFR-384	90384	208/240	SPNO/SPNC	60	48	42		18	18	18		12	8	7	

### Wiring Diagrams

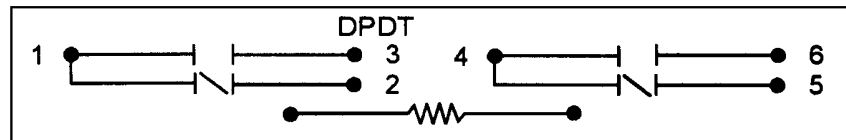
#### SERIES 290, 360, 370, 380



#### SERIES 343



#### SERIES 340, 341, 342





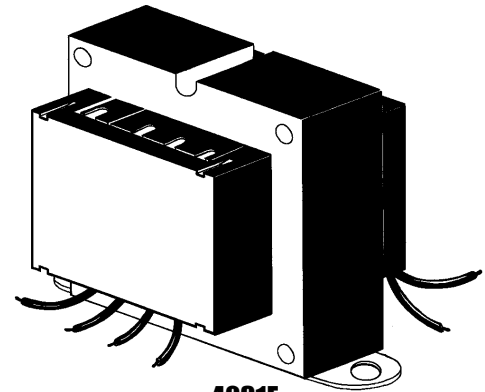
## Foot Mount Transformers

### OPEN CONSTRUCTION, WIRE LEADS

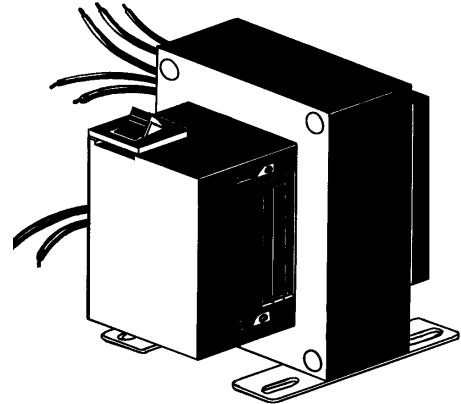
- Safety agency approved.
- Inherently limited design provides protection from short circuiting.

JARD NO.	VA	Primary VAC	Secondary VAC
2031F	20	120/208/240	24
4011F	40	120	24
4021F	40	208/240	24
4031F	40	120/208/240	24
*4032F	40	120/208/240	2.5/12/24
40241F	40	240	24
40271F	40	277	24
5031F	50	120/208/240	24
5032F	50	120/208/240	2.5/12/24
*7531F	75	120/208/240	24

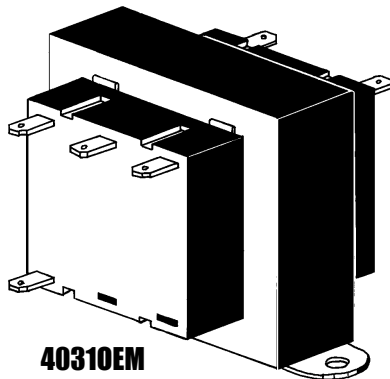
\* In-line fuse protection.



4031F



7541C



40310EM

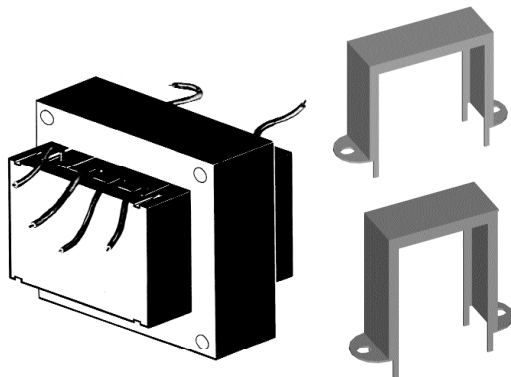
### CLOSED CONSTRUCTION WITH CIRCUIT BREAKER

- All models feature a UL recognized manual reset circuit breaker.
- Safety agency approved.

JARD NO.	VA	Primary VAC	Secondary VAC
5041C	50	120/208/240/480	24
6041C	60	120/208/240/480	24
7541C	75	120/208/240/480	24
7541STC	75	120/277/380/575	24
10041C	100	120/208/240/480	24
10041STC	100	120/208/277/575	24

### CLOSED CONSTRUCTION, QUICK CONNECT TERMINALS

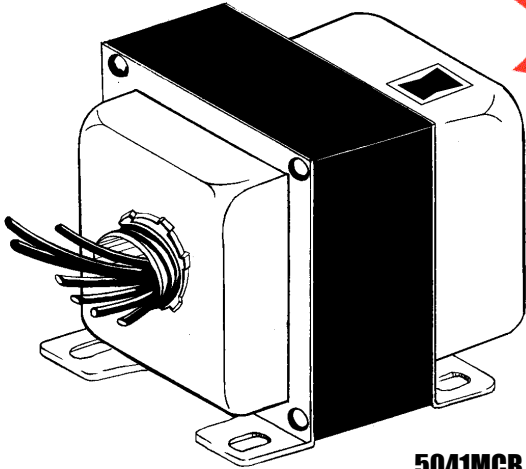
JARD NO.	VA	Primary VAC	Secondary VAC
40310EM	40	120/208/240	24



4031VM - Includes 2 Brackets

### VERSATILE 3-WAY MOUNTING 4031VM

JARD NO.	VA	Primary VAC	Secondary VAC
4031VM	40	120/208/240	24



**5041MCB**  
**7541MCB**

## Hub-Mounted Transformers

**WITH CIRCUIT BREAKERS AND MULTIPLE INPUTS OF 120/208/240/480 VAC.**

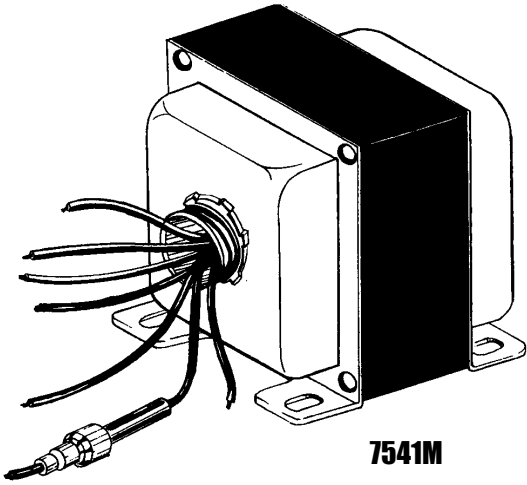
Available either in 50VA or 75 VA, these 2 versatile transformers replace Honeywell® AT150F and AT175F. All leads pass through the chase nipple.

- Model 5041MCB, 50 VA
- Model 7541MCB, 75 VA
- Plate mount or foot mount
- Four inputs including 120/208/240/480 VAC
- U.L. Recognized

### MULTI-MOUNT TRANSFORMERS CLOSED CONSTRUCTION, 4" X 4" PLATE

- Optional 3-way mounting for maximum flexibility.
- Safety agency approved.
- Welded laminations for quiet operation.

JARD NO.	VA	Primary VAC	Secondary VAC
4011M	40	120	24
4021M	40	208/240	24
4031M	40	120/208/240	24
5031M	50	120/208/240	24
5032M	48	120/208/240	2.5/12/24
7541M	75	120/208/240/480	24
7541STM	75	120/240/277/575	24



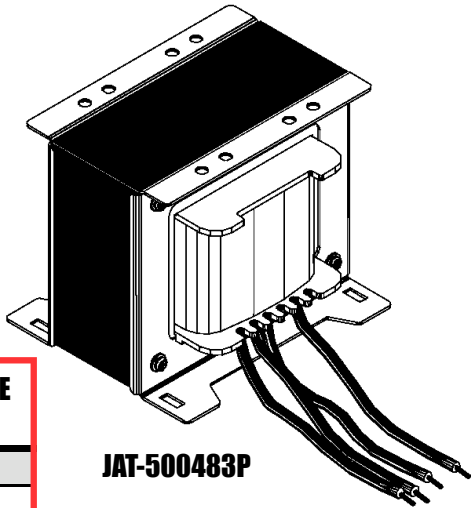
**7541M**

### AUTO-TRANSFORMERS STEP-UP OR STEP-DOWN AT HIGH POWER!

Now available exclusively from JARD. Power Transformers with Motor Start Muscle and Multi Voltage capability. Two transformers of the same model may be paralleled for even greater output power. Be In-Stock when your customer requires a power transformer!

- Change 480 VAC to 120 or 240 VAC.  
Change 240 VAC to 480 or 120 VAC.  
Change 120 VAC to 240 or 480 VAC.
- An included Wiring Diagram and Color Coded Wires make for easy installation.

JARD NO.	OUTPUT VA	OUTPUT CURRENT (AMPS) AT OUTPUT VOLTAGE		
		120	240	480 (VAC)
JAT-250483P	250	2.08	1.04	.52
JAT-500483P	500	4.16	2.08	1.04
JAT-1200483P	1200	10.00	5.00	2.50



**JAT-500483P**

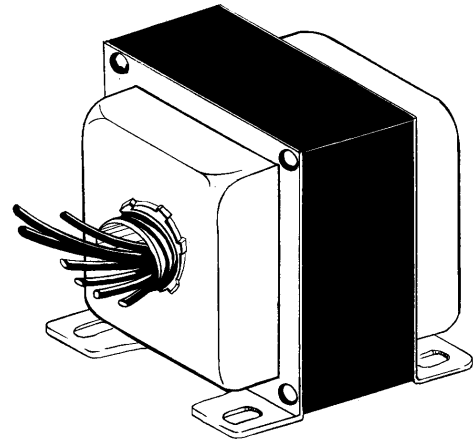


## Fully-Isolated Power Transformers

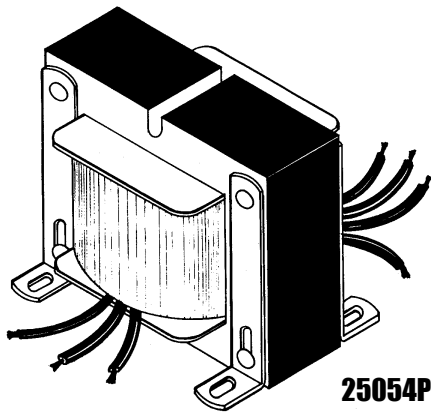
- Several models with dual voltage output.
- Welded laminations for quiet operation.
- Conservative heat rise characteristics.

### FULLY ENCLOSED JUNCTION BOX READY

JARD NO.	VA	Primary VAC	Secondary VAC
5048PC	50	240/480	120
5048STPC	50	208/277/575	120
10048PC	100	240/480	120
10048STPC	100	208/277/575	120



**5048PC  
10048PC**



**25054P**

### FOOT MOUNT, WIRE LEADS

JARD NO.	VA	Primary VAC	Secondary VAC
5024P	50	208/240	120/24
7524P	75	208/240	120/24
75481P	75	480	120
25054P	250	120/240/480	120/24
25054STP	250	208/277/575	120/24
50054P	500	120/240/480	120/24

## Jump Start

### JUMP START ASSIST KITS

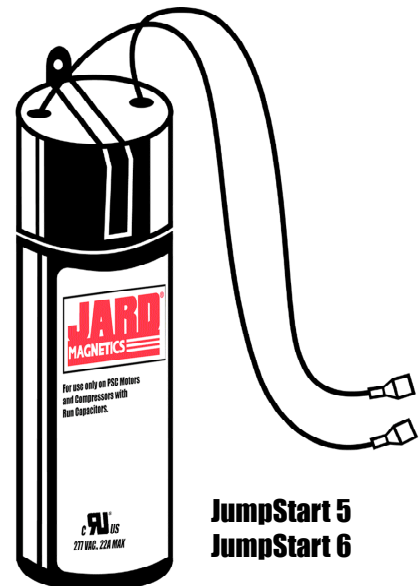
JARD Magnetix is pleased to introduce the latest technology in Two Wire Start Assist Kits. High Torque and Low Cost make the JumpStart 5 and JumpStart 6 the choice your customers will insist on.

	Operating Voltage	Power Rating	BTU Rating	Torque Multiplier
JHS-5	115-288VAC	1 1/2 -10 HP	4,000-120,000 BTU	Up to 300%
JHS-6	115-288VAC	1 1/2 -10 HP	4,000-120,000 BTU	Up to 500%

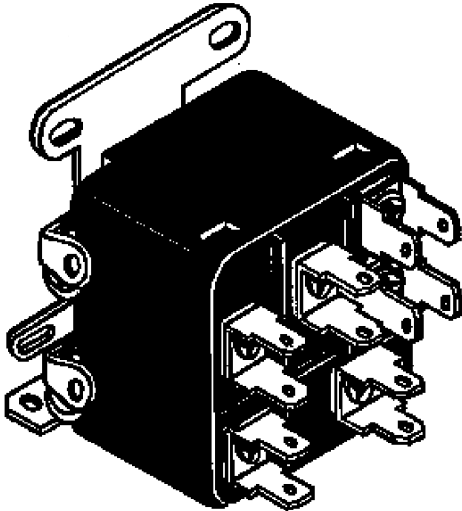


### Simple! 2 Wire Installation

Connect the 2 wires across the run capacitor.  
Do not remove original wiring.



**JumpStart 5  
JumpStart 6**



## Potential Relays

JARD Magnetics line of potential relays is superior in both price and performance. JARD Relays feature silver alloy contacts and a full 35 amp. capability coupled with a coil designed for years of rugged service.

- UL approvals.
- 750,000 operations contact life.
- Universal mounting bracket is included.

### CROSS REFERENCE

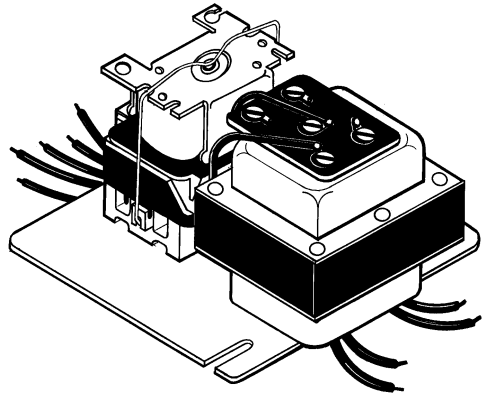
JARD No.	Hold Voltage	Pick-up Voltage	Drop-out Voltage
JPR-63	170	140-153	30-65
JPR-64	395	245-275	60-140
JPR-65	336	171-184	55-90
JPR-66	395	208-239	60-130
JPR-67	420	300-328	75-121
JPR-68	495	323-352	75-135
JPR-69	336	180-195	40-105
JPR-70	253	285-305	35-77
JPR-71	420	212-232	60-121

Mars	Steveco	3ARR3 G.E. Groups
19002	90-63	2J, 2K, 2L, 2M, 5N, 7J, 7K, 7L, 7M, 7N, 8L, 8M, 8N
19003	90-64	3A, 3B, 3AV, 3AU, 4A, 4B, 6A, 6B, 6AV, 10A, 10B, 10AU, 10AV
19004	90-65	3P, 3R, 3AP, 5P, 5R, 5S, 5T, 22S
19005	90-66	3U, 3V, 3AT, 6U, 6V, 6W
19006	90-67	3C, 3D, 3AA, 4C, 4D, 4BK, 6C, 6D, 6AA, 10C, 10D, 26A, 26B, 26C, 26D
19007	90-68	3E, 3F, 3AB, 3AC, 4E, 4F, 4G, 6E, 6F, 6G, 10H, 10AB, 10AC, 26E, 26F, 26G, 26H, 27E, 27F, 27G
19008	90-26	3S, 3T, 10S, 10T, 25S, 25T, 10AS
19009	90-70	5B, 5C, 5D, 5AA, 8B, 8C, 8D
19010	90-71	6TV, 6TW, 10V

## Fan Centers

- Plug-in style relay for easy field replacement.
- Pre-stripped, color coded leads simplify wiring.
- Combination screw/solder terminals for low voltage wiring.
- Standard double-throw relays handle both one and two speed motors.

JARD No.	VA	Primary VAC	Secondary VAC	Contact Configuration	HP Rating
4011FC	40	120	24	SPDT	3/4
4021FC	40	208/240	24	DPDT	3/4
4031FC	40	120/208/240	24	DPDT	3/4
40118FC	40	120	24	DPDT	3/4

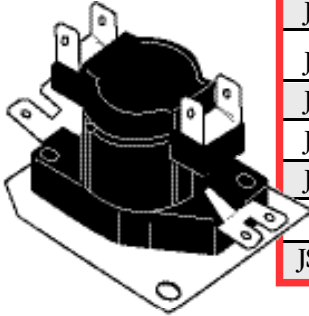


# Heat Sequencing Relays

New from JARD, Heat Sequencing Relays designed for Universal Replacement. All models feature Double Quick Connect Terminals and are Temperature Compensated using Solid State PTC Heaters. Contacts are rated at 25 Amps at 120/240 VAC, 12.5 Amps at 480 VAC. JARD Heat Sequencing Relays are UL Recognized.



**JS24A34-1  
JS24A34-2**



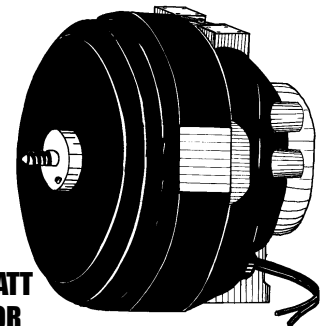
JARD Part No.	Mars Part No.	Approx. On Time (seconds)					Approx. Off Time (seconds)				
		SW1	SW2	SW3	SW4	SV/5	SW1	SW2	SW3	SW4	SW5
JS24A34-1	44841	1-20	—	—	—	—	40-110	—	—	—	—
JS24A34-2	44842	—	—	30-90	—	—	—	—	1-30	—	—
JS24A34-3	44844	1-20	1-20	—	—	—	40-110	40-110	—	—	—
JS24A34-4	44845	—	—	30-90	30-90	—	—	—	1-30	1-30	—
JS24A34-5	44832	1-110	1-110	1-110	—	—	1-110	1-110	1-110	—	—
JS24A34-6	44833	1-110	1-110	1-110	1-110	—	1-110	1-110	1-110	1-110	—
JS24A34-14	44848	1-160	1-160	1-160	1-160	1-160	1-160	1-160	1-160	1-160	1-160

## 1/4" THREADED SHAFT

JARD MODEL	WATTS	VOLTS (VAC)	ROTATION	RPM
JWM-5109*	2	115	CW	1550
JWM-5111	2.5	115	CW	1550
JWM-5211	4	115	CW	1550
JWM-5212	4	115	CCW	1550
JWM-5311	6	115	CW	1550
JWM-5312	6	115	CCW	1550
JWM-5411	9	115	CW	1550
JWM-5412	9	115	CCW	1550
JWM-5421	9	230	CW	1550
JWM-5422	9	230	CCW	1550
JWM-5811	16	115	CW	1550
JWM-5812	16	115	CCW	1550
JWM-5821	16	230	CW	1550
JWM-5822	16	230	CCW	1550
JWM-25EM1	25	115	CW	1500
JWM-25EMR1	25	115	CCW	1500
JWM-25EM2	25	230	CW	1500
JWM-25EMR2	25	230	CCW	1500
JWM-35EM1	35	115	CW	1500
JWM-35EMR1	35	115	CCW	1500
JWM-35EM2	35	230	CW	1500
JWM-35EMR2	35	230	CCW	1500
JWM-50EM1**	50	115	CW	1500
JWM-50EMR1**	50	115	CCW	1500
JWM-50EM2**	50	230	CW	1500
JWM-50EMR2**	50	230	CCW	1500

## Watt Motors

JARD Magnetics is pleased to expand its broad line of Cast Iron Watt Motors from 2 Watts through 50 Watts to fit all applications. All motors are totally enclosed, UL and CSA approved, and have a proven track record of ruggedness, quality, and value. All motors are packed in individual boxes - no more lost mounting hardware. JARD Watt Motors are covered by a One Year Warranty.



**25 WATT MOTOR**



**50 WATT MOTOR**

\* Aluminum frame. \*\* NOTE: 3/8" shaft is 1 1/2" long.