

SAFETY CONSIDERATIONS

Only trained personnel should install or service heating equipment. When working with heating equipment, be sure to read and understand all precautions in the documentation, on labels, and on tags that accompany the equipment. Failure to follow all safety guidelines may result in damage to equipment, severe personal injury or death.

ELECTROSTATIC DISCHARGE (ESD) PRECAUTIONS

CAUTION!

Use caution when installing and servicing the furnace to avoid and control electrostatic discharge; ESD can impact electronic components. These precautions must be followed to prevent electrostatic discharge from hand tools and personnel. Following the precautions will protect the control from ESD by discharging static electricity buildup to ground.

1. Disconnect all power to the furnace. Do not touch the control or the wiring prior to discharging your body's electrostatic charge to ground.
2. To ground yourself, touch your hand and tools to a clean, metal (unpainted) furnace surface near the control board.
3. Service the furnace after touching the chassis. Your body will recharge with static electricity as you shuffle your feet or move around, and you must reground yourself.
4. Reground yourself if you touch ungrounded items.
5. Before handling a new control, reground yourself; this will protect the control. Store used and new controls in separate containers before touching ungrounded objects.
6. ESD damage can also be prevented by using an ESD service kit.

APPLICATION

This replacement blower control kit is for use on G20, G20R, G23 and G26 series units. The ICM289 functions the same as the other BCC (BCC1, BCC2, and BBC3) control boards.

INSTALLATION

1. Turn off electrical power at circuit breaker or disconnect
2. Remove access panel.
3. Verify power is off at control board using a voltmeter.
4. Remove control box cover. (G20R units will not have a control box cover).
5. Mark and disconnect wires connected to the control board.
6. Remove blower control board.
7. Install **ICM289** blower control board.
8. Reconnect wires to **ICM289** control board.
9. The quick connect terminal labeled 24V on the **ICM289** is 3/16". If your wire for the 24V terminal had a 1/4" quick connect terminal you must replace it with the wire provided.

FEATURES

- Controls inducer fan motor, blower fan and monitors limit switches
- Microprocessor based design
- Functions with all 24 VAC thermostats

SPECIFICATIONS

- **Voltage Range:** Line (98-132 VAC) @ 60 Hz
- **Cool blower:** 20A @ 120 VAC
- **Heat blower:** 20A @ 120 VAC
- **Inducer motor:** 5A @ 120 VAC
- **Cool blower On Delay:** 1 second
- **Cool blower Off Delay:** 1 second
- **Heat blower On Delay:** 45 seconds
- **Heat blower Off Delay:** 90, 150, 220, 270 seconds

REPLACES

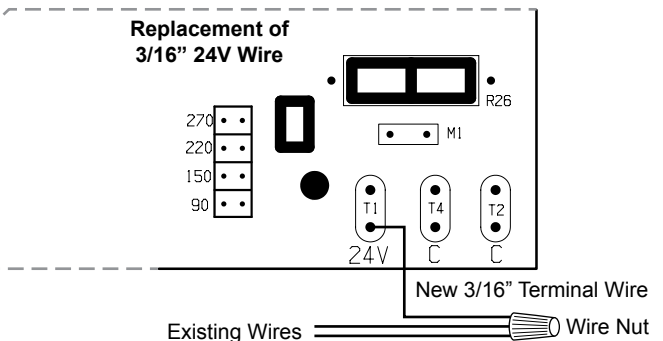
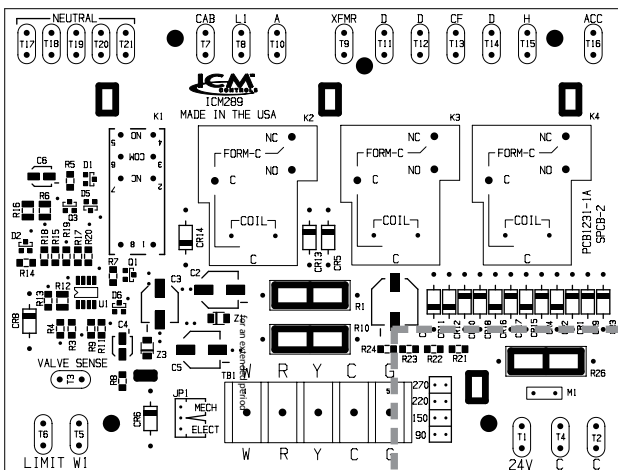
Replaces all Lennox BCC1, BCC2 and BCC3 circuit boards, including 48K98 and 45K48.

PACKAGE CONTENTS

- (1) ICM289 blower control
- (1) 3/16" quick connect terminated wire
- (1) Wire nut

10. Cut existing wires from terminal 24V, strip back 5/8" and wire nut to wire provided in kit. Connect terminated end of provided wire to the 24V terminal on the **ICM289** blower control board.
11. Place blower purge time jumper on correct pins.
12. Place mech/elect jumper to correct position.
13. Reinstall the control box cover (all units except for G20R).
14. Replace access panel.
15. Turn on electrical power for the unit.
16. Test operation per unit installation instructions.

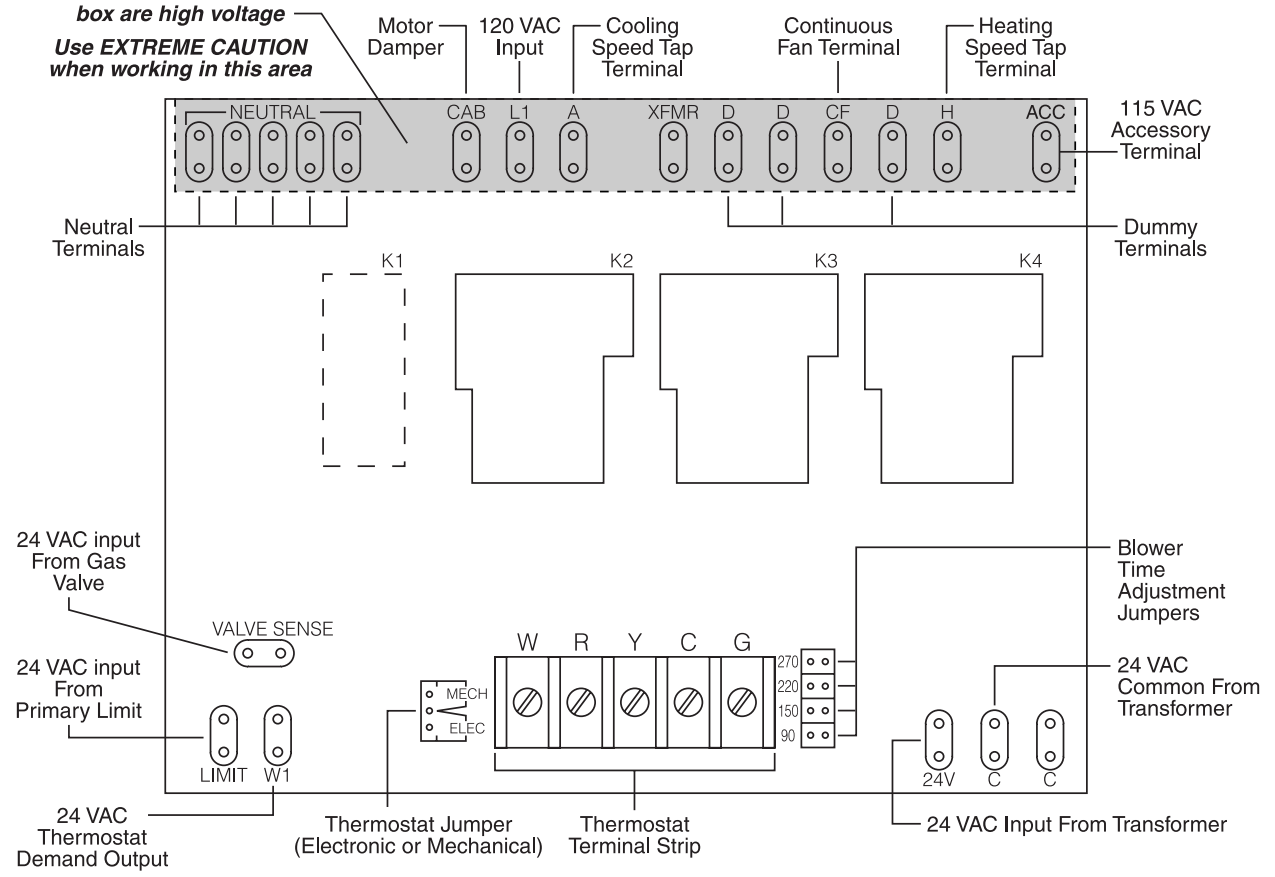
ACCESSORY KIT



TERMINAL DESCRIPTIONS

CAUTION

Connections inside shaded box are high voltage
Use **EXTREME CAUTION** when working in this area



WIRING DIAGRAMS

Q5/6-100, Q4/5-125, Q5/6-150

