




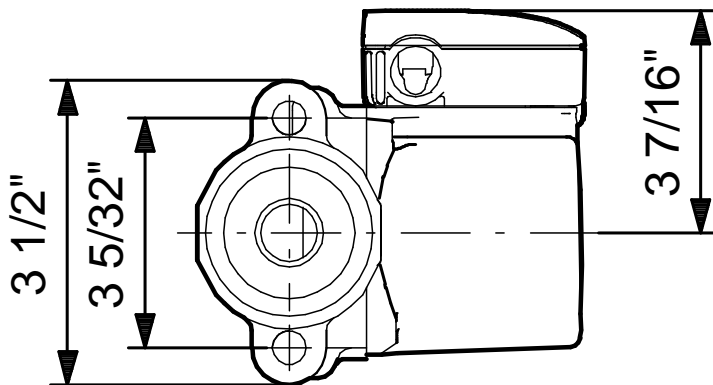
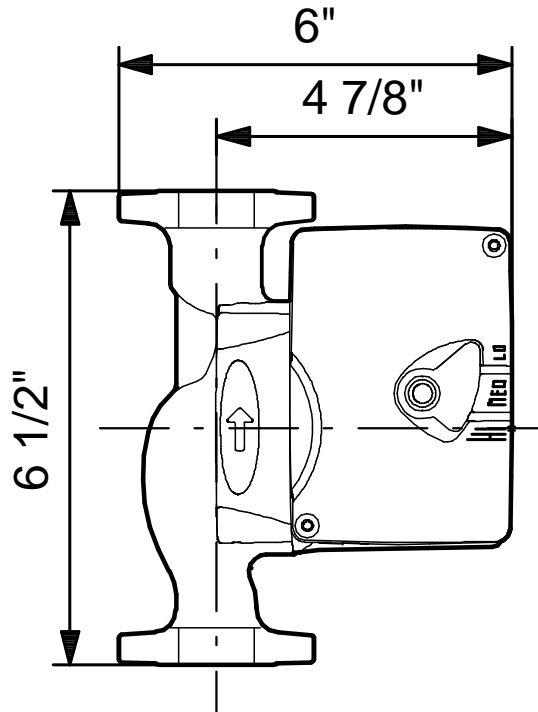
Position	Count	Description	Unit price
	-1	<p>UPS 26-99 FC</p>  <p>Product photo could vary from the actual product</p> <p>Product No.: 52722512 The pump is of the canned rotor type, i.e. pump and motor form an integral unit without shaft seal and with only two gaskets for sealing. The bearings are lubricated by the pumped liquid. The pump is characterized by:</p> <ul style="list-style-type: none"> * Ceramic shaft and radial bearings. * Carbon axial bearing. * Stainless steel rotor can and bearing plate. * Corrosion-resistant impeller, Composite, PES. * Cast iron pump housing. <p>The motor is a 1-phase motor. No additional motor protection is required.</p> <p>Liquid: Liquid temperature range: 35.6 .. 230 °F Density: 62.4 lb/ft³</p> <p>Technical: Approvals on nameplate: UL, CSA</p> <p>Materials: Pump housing: Cast iron EN-JL1030 ASTM 30 B Impeller: Composite, PES</p> <p>Installation: Maximum ambient temperature: 104 °F Ambient max at 176°F liquid: 176 °F Maximum operating pressure: 145 psi Flange standard: USA Oval Type of connection: C.I. Flange Pipe connection: 2 - Bolt Flange Pressure stage: 10 Port-to-port length: 6 1/2 in</p> <p>Electrical data:</p>	On request



Company name: -
Created by: -
Phone: -
Fax: -
Date: -

Position	Count	Description	Unit price
		Number of poles: 2	
		Power input in speed 1: 150 W	
		Power input in speed 2: 179 W	
		Max. power input: 197 W	
		Rated power - P2: 0.161 HP	
		Main frequency: 60 Hz	
		Rated voltage: 1 x 115 V	
		Current in speed 1: 1.3 A	
		Current in speed 2: 1.5 A	
		Current in speed 3: 1.8 A	
		Capacitor size - run: 20 µF/180 V	
		Insulation class (IEC 85): F	
		Others:	
		Gross weight: 10.3 lb	

52722512 UPS 26-99 FC 60 Hz



Note! All units are in [mm] unless others are stated.
Disclaimer: This simplified dimensional drawing does not show all details.