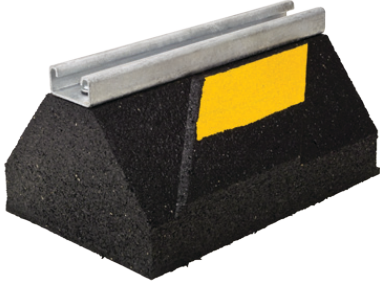


NEW ITEMS

ROOFTOP SUPPORTS



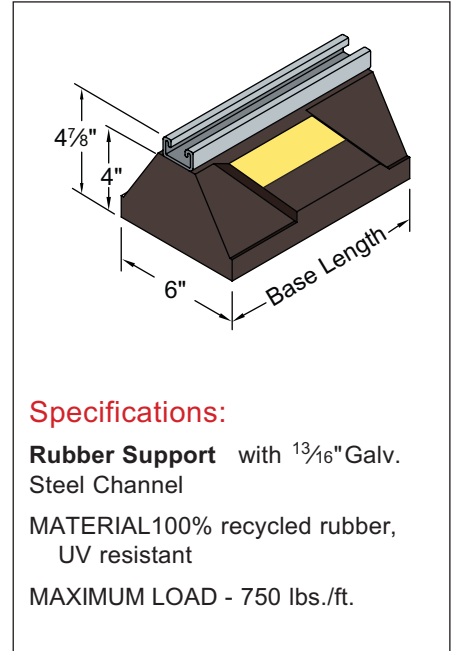
C series channel support is designed for superior support of gas and refrigeration piping systems, cable tray, electrical conduit, multiple lines, HVAC equipment and many other applications.

The C Series is UV resistant and suitable for installation on most types of roofing material or other flat surfaces.

Other sizes available



shown with two bases



Specifications:

Rubber Support with $1\frac{3}{16}$ " Galv. Steel Channel

MATERIAL 100% recycled rubber, UV resistant

MAXIMUM LOAD - 750 lbs./ft.

Model Number	Height	Width	No. of Bases	Length	Weight
RTC5-H164PG	4-7/8"	6"	1	5"	3.32 lbs.
RTC10-H164PG			1	9.6"	5.30 lbs.

ONE HOLE STRAPS

**D2301 SERIES
ONE HOLE EMT STRAP**
• Standard finish: ZN

Part Number	Conduit Size	Thickness	Width	Hole Diameter	Wt./100Pcs.
D2301-1/2	1/2	.050	3/4	9/32	2.4
D2301-3/4	3/4	.050	7/8	9/32	4.2
D2301-1	1"	.050	1"	9/32	8.3
D2301 1-1/4	1-1/4	.065	1-1/4	9/32	11
D2301 1-1/2	1-1/2	.090	1"	11/32	14.8
D2301-2	2"	.090	1-1/4	13/32	21.6

