



TECHNICAL GUIDE

LX SERIES SPLIT SYSTEM AIR CONDITIONERS 14 SEER – R-410A – 1 PHASE 1.5 THRU 5 NOMINAL TONS MODELS: TC4B18 THRU 60



Due to continuous product improvement, specifications are subject to change without notice.

Visit us on the web at

www.simplygettingthejobdone.com and
www.colemanac.com

Additional rating information can be found at
www.ahridirectory.org

WARRANTY SUMMARY*

Standard 5-Years limited parts warranty.

Standard 10-Years limited compressor warranty.

Extended 10-Years limited parts warranty when product is registered online within 90 days of purchase for replacement or closing for new home construction.

*Does not apply to R-22 models, 3-Phase models, or Internet sales.

See Limited Warranty certificate in User's Information Manual for details.

DESCRIPTION

The TC4B models are part of our successful 14 SEER Regional Minimum Efficiency in the Southeast US, these outdoor units are specifically designed to be matched with York indoor coils, furnaces, and air handlers to provide a complete system solution.

FEATURES

- **Small Footprint** - Minimum footprint for easier handling, transportation, and installation.
- **Easier Installation** - Independent panels provide quick access for unit setup. Installation time is reduced by easy power and control wiring access. Select indoor matches with factory-mounted TXVs are available for quicker system installation. The factory installed filter-drier and factory charge for a 15-Ft lineset means less time spent brazing and charging the system. The small base dimension and reduced unit clearances make for easier retrofits.
- **Accessible Information** - QR code on unit provides quick access to technical documents and warranty information.
- **Durable Finish** - The coated steel wire fan guard, coated external fasteners, and pre-treated G90-equivalent galvanized steel chassis components resist corrosion and rust creep. Titanium colored powdercoat paint further protects external panels.
- **Quality Coils** - The high efficiency microchannel aluminum coil is manufactured using an improved material system providing reliable performance and small unit size.
- **Rugged Coil Protection** - Coils are protected from mechanical damage by a proven stamped steel coil guard design.
- **Protected Compressor** - Compressors are protected internally by a high pressure relief valve and a temperature sensor, and externally by the system high pressure switch. The liquid line filter-drier is factory installed to protect the compressor against moisture and debris.
- **Reliable Operation** - Ball bearing fan motors provide superior performance in extreme temperatures.
- **Environmentally Friendly** - CFC-free R-410A refrigerant delivers environmentally friendly performance with zero ozone depletion.
- **Top Discharge** - Warm air is blown up, away from the structure and any landscaping and allows compact location on multi-unit applications.
- **Low Operating Sound Levels** - Developed using CFD and FEA tools, the sturdy cabinet and top design provides sound performance of 76 dBA or lower. Compatible accessories for further sound reduction are also available.
- **Better Service Access** - Diagonal base valves with open access for low-loss fittings, single panel access to the electrical controls, swing out control box for full corner access, and removable fan guard allow easy access for unit maintenance.
- **Agency Listed** - Safety certified by CSA to UL 1995 / CSA 22.2. Performance certified to ANSI/AHRI Standard 210/240 in accordance with the Unitary Small Equipment certification program.

LIST OF SECTIONS

DESCRIPTION 1
FEATURES 1
NOMENCLATURE 2
PHYSICAL AND ELECTRICAL DATA 3
DIMENSIONS 3
SYSTEM CHARGE FOR VARIOUS MATCHED SYSTEMS 4
COOLING CAPACITY - With Air Handler Coils 5
COOLING CAPACITY - Upflow, Downflow & Horizontal Furnaces and Coils (Coil Only Ratings) 9
COOLING CAPACITY - With High Efficiency Motor Furnaces ... 10
APPLICATIONS AND ACCESSORIES 75
SOUND POWER RATINGS 75
MECHANICAL SPECIFICATIONS 76
TYPICAL INSTALLATION 77
TYPICAL FIELD WIRING 78
ALTERNATIVE INSTALLATION CLEARANCES 78
PERFORMANCE DATA - 1.5 TON 79
PERFORMANCE DATA - 2 TON 84
PERFORMANCE DATA - 2.5 TON 91
PERFORMANCE DATA - 3 TON 98
PERFORMANCE DATA - 3.5 TON 106
PERFORMANCE DATA - 4 TON 114
PERFORMANCE DATA - 5 TON 119

NOMENCLATURE

| | | | |
|--|-----------|--|--|
| BRAND | T | T = Factory Branded | |
| PRODUCT TYPE | C | C = Air Conditioner (US Northern or Southeast Region) | |
| NOMINAL SERIES EFFICIENCY AND STAGING | 4 | 4 = 14 SEER / 1-Stage (US Southeast or Southwest Region) | |
| REFRIGERANT | B | B = R-410A | |
| NOMINAL UNIT CAPACITY (MBH) | 36 | 18 = 1.5 Ton 24 = 2 Ton 30 = 2.5 Ton 36 = 3 Ton | 42 = 3.5 Ton 48 = 4 Ton 60 = 5 Ton |
| VOLTAGE (Voltage-Phase-Hertz) | 2 | 2 = 208/230-1-60 | |
| GENERATION (MAJOR REVISION) | 1 | 1 = 1st Gen 2 = 2nd Gen etc | |
| FACTORY OPTION | S | S = Standard (No Options) | |
| STYLE LETTER (MINOR REVISION) NOT USED FOR ORDERING | A | A = Style A B = Style B | |

PHYSICAL AND ELECTRICAL DATA

| MODEL | TC4B1822S | TC4B2422S | TC4B3022S | TC4B3622S | TC4B4222S | TC4B4821S | TC4B6021S |
|--|---------------------------|-----------|-----------|-----------|-----------|-----------|--------------------|
| Unit Supply Voltage | 208-230V, 1 ϕ , 60Hz | | | | | | |
| Normal Voltage Range ¹ | 187 to 252 | | | | | | |
| Minimum Circuit Ampacity | 12.7 | 14.8 | 18.4 | 19.6 | 25.3 | 25.7 | 31.7 |
| Max. Overcurrent Device Amps ² | 20 | 25 | 30 | 30 | 40 | 45 | 50 |
| Min. Overcurrent Device Amps ³ | 15 | 15 | 20 | 20 | 30 | 30 | 35 |
| Compressor Type | Scroll | Scroll | Scroll | Scroll | Scroll | Scroll | Scroll |
| Compressor Amps | Rated Load | 9.7 | 11.2 | 14.1 | 14.7 | 19.2 | 24.3 |
| | Locked Rotor | 46.0 | 60.8 | 73.0 | 75.0 | 123.9 | 144.2 |
| Crankcase Heater | No | No | No | No | No | No | No |
| Factory External Discharge Muffler | No | No | No | No | No | No | No |
| HS Kit Required with TXV | No | No | No | No | No | No | No |
| HS Kit Part Number (S1-2SA067****) ⁴ | 21806 | 21806 | 10106 | 10106 | 10106 | 10106 | 10106 |
| Fan Diameter Inches | 18 | 22 | 22 | 22 | 22 | 24 | 26 |
| Fan Motor | Rated HP | 1/12 | 1/8 | 1/8 | 1/4 | 1/4 | 1/4 |
| | Rated Load Amps | 0.64 | 0.80 | 0.80 | 1.30 | 1.30 | 1.30 |
| | Nominal RPM | 1050 | 1075 | 1075 | 850 | 850 | 850 |
| | Nominal CFM | 1900 | 1950 | 2850 | 3225 | 3275 | 4300 |
| Coil | Face Area Sq. Ft. | 11.07 | 12.21 | 12.21 | 13.83 | 17.37 | 23.40 |
| | Rows Deep | 1 | 1 | 1 | 1 | 1 | 1 |
| | Fins / Inch | 23 | 23 | 23 | 23 | 23 | 23 |
| Liquid Line Set OD (Field Installed) | 3/8 | 3/8 | 3/8 | 3/8 | 3/8 | 3/8 | 3/8 |
| Vapor Line Set OD (Field Installed) ⁵ | 3/4 | 3/4 | 3/4 | 3/4 | 7/8 | 7/8 | 1-1/8 [‡] |
| Unit Charge (Lbs. - Oz.) ⁶ | 3 - 8 | 3 - 12 | 3 - 14 | 4 - 1 | 4 - 12 | 4 - 15 | 5 - 12 |
| Charge Per Foot, Oz. | 0.62 | 0.62 | 0.62 | 0.62 | 0.67 | 0.67 | 0.75 |
| Operating Weight Lbs. | 140 | 155 | 155 | 180 | 215 | 200 | 205 |

1. Rated in accordance with AHRI Standard 110-2012, utilization range "A".

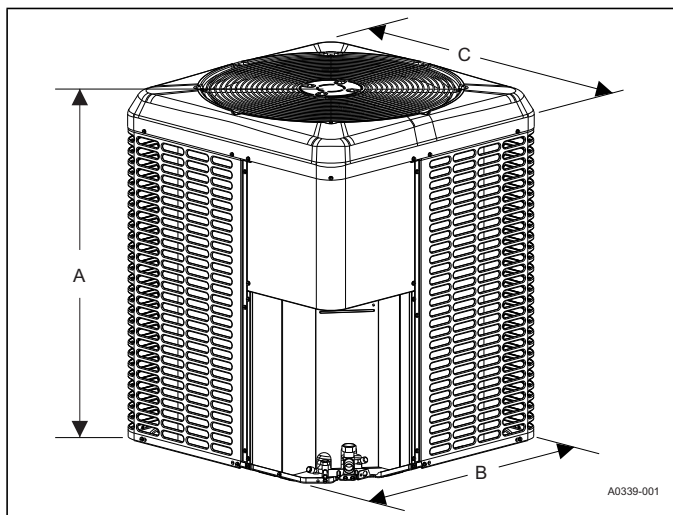
2. Dual element fuses or HACR circuit breaker. Maximum allowable overcurrent protection.

3. Dual element fuses or HACR circuit breaker. Minimum recommended overcurrent protection.

4. Use S1-2SA067**** series kit. See Hard Start Kit Accessory Installation Manual.

5. For applications with non-standard vapor line sizes, see the "Applications & Accessories" section of this Technical Guide.

6. The Unit Charge is correct for the outdoor unit, smallest matched indoor unit, and 15 feet of refrigerant tubing. For tubing lengths other than 15 feet, add or subtract the amount of refrigerant, using the difference in actual lineset length (not the equivalent length) multiplied by the per foot value.



DIMENSIONS

| Unit Model | Dimensions (Inches) | | | Refrigerant Connection Service Valve Size | |
|------------|---------------------|--------|--------|---|-------|
| | A | B | C | Liquid | Vapor |
| TC4B1822S | 30 | 24 | 24 | 3/8 | 3/4 |
| TC4B2422S | 26-3/4 | 29-1/4 | 29-1/4 | | |
| TC4B3022S | 26-3/4 | 29-1/4 | 29-1/4 | | |
| TC4B3622S | 30 | 29-1/4 | 29-1/4 | | 7/8 |
| TC4B4222S | 36-1/4 | 29-1/4 | 29-1/4 | | |
| TC4B4821S | 33-1/4 | 35-1/4 | 31-3/4 | 7/8 [‡] | |
| TC4B6021S | 36-1/4 | 38 | 34-1/4 | | |

[‡] Adapter fitting must be field installed for the required 1-1/8" line set.

All dimensions are in inches and are subject to change without notice.

Overall height is from bottom of base pan to top of fan guard.

Overall length and width include screw heads.

SYSTEM CHARGE FOR VARIOUS MATCHED SYSTEMS

| Outdoor Unit | TC4B1822S | TC4B2422S | TC4B3022S | TC4B3622S | TC4B4222S | TC4B4821S | TC4B6021S |
|------------------------------|-----------------------|-----------|-----------|-----------|-----------|-----------|-----------|
| Required TXV ^{1,2} | BH1 | BH1 | BA1 | BA1 | BC1 | BC1 | BD1 |
| Indoor Unit ^{3,4,5} | Additional Charge, oz | | | | | | |
| AP18B | 0 | – | – | – | – | – | – |
| AP24B | 3 | 0 | – | – | – | – | – |
| AP30B | – | 7 | 2 | – | – | – | – |
| AP36B | – | – | – | 0 | – | – | – |
| AP36C | – | – | 2 | 2 | – | – | – |
| AP37C | – | – | – | 5 | – | – | – |
| AP42C | – | – | – | – | – | – | – |
| AP48C | – | – | – | 5 | 2 | 0 | – |
| AP48D | – | – | – | – | 2 | 0 | – |
| AP60(C,D) | – | – | – | – | – | 2 | 0 |
| AE18B | 0 | – | – | – | – | – | – |
| AE24B | 3 | 0 | – | – | – | – | – |
| AE30B | 8 | 5 | 0 | – | – | – | – |
| AE36B | – | 7 | 2 | 0 | – | – | – |
| AE36C | 10 | 7 | 2 | 0 | – | – | – |
| AE42C | – | – | – | 5 | 2 | – | – |
| AE48(C,D) | – | – | – | 5 | 2 | 0 | – |
| AE60C | – | – | – | – | 9 | 2 | 0 |
| AE60D | – | – | – | – | 29 | 22 | 20 |
| AVC18B | 0 | – | – | – | – | – | – |
| AVC24B | 3 | 0 | – | – | – | – | – |
| AVC30B | 8 | 5 | 0 | – | – | – | – |
| AVC36(B,C) | – | 7 | 2 | 0 | – | – | – |
| AVC42C | – | – | – | 5 | 2 | – | – |
| AVC48(C,D) | – | – | – | 5 | 2 | 0 | – |
| AVC60C | – | – | – | – | – | 2 | 0 |
| AVC60D | – | – | – | – | 29 | 22 | 20 |
| CF/CM/CU18(A,B) | 0 | – | – | – | – | – | – |
| CF/CM/CU24(A,B,C) | 3 | 0 | – | – | – | – | – |
| CF/CM/CU30(A,B,C) | 8 | 5 | 0 | – | – | – | – |
| CF/CM/CU36(A,B,C,D) | 10 | 7 | 2 | 0 | – | – | – |
| CF/CM/CU42(B,C,D) | – | 11 | 2 | 2 | 0 | – | – |
| CF/CM/CU48(C,D) | – | – | – | 5 | 2 | 0 | – |
| CF/CM/CU60(C,D) | – | – | – | – | 9 | 2 | 0 |
| CF/CM64D | – | – | – | – | 29 | 22 | 20 |

Some of the combinations shown in the above System Charge table require Advanced Main Air Circulating Fan indoor product. For approved coil only matches, please see the "COOLING CAPACITY - Upflow, Downflow & Horizontal Furnaces and Coils" table.

FOOTNOTES:

1. For applications requiring a TXV, use S1-1TVM*** series kit.
2. A TXV kit must be used with these indoor units to obtain system performance.
3. Systems matched with furnaces or air handlers not equipped with blower-off delays may require blower Time Delay Kit S1-2FD06700224.
4. CF coils cannot be used in horizontal applications.
5. Charge adders shown above do not indicate that coils are rated for every application. Refer to Performance Data Tables for actual performance for specified system matches. Obtain certified system ratings from www.ahridirectory.org.

CHARGING PROCEDURES:

1. Check the Factory Unit Charge listed on the unit nameplate to verify the refrigerant charge for the outdoor unit, the smallest matched indoor unit, and the 15 feet of interconnecting lineset.
2. Verify the indoor metering device and additional charge required for the specific matched indoor unit in the system using the above table.
3. Add additional charge for the amount of interconnecting lineset greater than 15 feet at the rate specified in the Physical and Electrical Table.
4. For installations requiring additional charge, weigh in refrigerant for the specific matching indoor unit and actual lineset length.
5. Once the charge adders for matched indoor unit and for lineset have been weighed in, verify the system operation against the temperatures and pressures in the Charging Chart for the outdoor unit. Locate Charging Charts on the outdoor unit and also in the Service Data Application Guide on www.simplygettingthejobdone.com. Follow the Subcool or Superheat charging procedure in the Installation Manual according to the type of indoor metering device in the system, and allow ten minutes after each charge adjustment for the system operation to stabilize. Record the charge adjustment made to match the Charging Chart.
6. Permanently stamp the unit data plate with the TOTAL SYSTEM CHARGE defined as follows: TOTAL SYSTEM CHARGE = Base Charge (as shipped) + charge adder for matched indoor unit + charge adder for actual lineset length + charge adjustments to match the Charging Chart.

COOLING CAPACITY - With Air Handler Coils

| UNIT MODEL | AIR HANDLER | | COIL MODEL ¹ | COOLING | | | | |
|---------------|-------------|-------|----------------------------|--------------|---------|-------|-------|-------|
| | MODEL | WIDTH | | RATED CFM | NET MBH | | SEER | EER |
| | | | | | TOTAL | SENS. | | |
| TC4B1822S | AE18BX21 | 17.5 | – | 650 | 18.00 | 14.90 | 16.00 | 13.25 |
| TC4B1822S | AE24BX21 | 17.5 | – | 625 | 18.00 | 14.60 | 16.00 | 13.25 |
| TC4B1822S | AE30BX21 | 17.5 | – | 600 | 18.00 | 14.30 | 16.00 | 13.25 |
| TC4B1822S | AE36CX21 | 21.0 | – | 650 | 18.00 | 14.50 | 16.00 | 13.25 |
| TC4B1822S | AP18BX21 | 17.5 | – | 650 | 17.60 | 14.60 | 14.25 | 12.25 |
| TC4B1822S | AP24BX21 | 17.5 | – | 675 | 17.70 | 15.00 | 14.25 | 12.25 |
| TC4B1822S | AVC18BX21 | 17.5 | – | 650 | 18.00 | 14.90 | 16.00 | 13.25 |
| TC4B1822S | AVC24BX21 | 17.5 | – | 625 | 18.00 | 14.60 | 16.00 | 13.25 |
| TC4B1822S | AVC30BX21 | 17.5 | – | 675 | 18.00 | 14.90 | 16.00 | 13.25 |
| TC4B1822S | ME08BN21 | 17.5 | CF/CM18B | 575 | 17.70 | 14.10 | 16.00 | 13.25 |
| TC4B1822S | ME08BN21 | 17.5 | CF/CM24B | 575 | 17.80 | 14.10 | 16.00 | 13.25 |
| TC4B1822S | ME08BN21 | 17.5 | CF/CM30B | 600 | 18.00 | 14.30 | 16.00 | 13.25 |
| TC4B1822S | ME08BN21 | 17.5 | CF/CM36B | 575 | 18.00 | 13.80 | 16.00 | 13.25 |
| TC4B1822S | ME12BN21 | 17.5 | CF/CM18B | 675 | 18.00 | 15.10 | 16.00 | 13.25 |
| TC4B1822S | ME12BN21 | 17.5 | CF/CM24B | 675 | 18.00 | 15.20 | 16.00 | 13.25 |
| TC4B1822S | ME12BN21 | 17.5 | CF/CM30B | 675 | 18.00 | 14.90 | 16.00 | 13.25 |
| TC4B1822S | ME12BN21 | 17.5 | CF/CM36B | 675 | 18.00 | 14.90 | 16.00 | 13.25 |
| TC4B1822S | ME12CN21 | 21.0 | CF/CM24C | 600 | 18.00 | 14.40 | 16.00 | 13.25 |
| TC4B1822S | ME12CN21 | 21.0 | CF/CM30C | 600 | 18.00 | 14.30 | 16.00 | 13.25 |
| TC4B1822S | ME12CN21 | 21.0 | CF/CM36C | 600 | 18.00 | 14.20 | 16.00 | 13.25 |
| TC4B1822S | MVC08BN21 | 17.5 | CF/CM18B | 650 | 18.00 | 14.90 | 16.00 | 13.25 |
| TC4B1822S | MVC08BN21 | 17.5 | CF/CM24B | 650 | 18.00 | 14.90 | 16.00 | 13.25 |
| TC4B1822S | MVC08BN21 | 17.5 | CF/CM30B | 625 | 18.00 | 14.60 | 16.00 | 13.25 |
| TC4B1822S | MVC08BN21 | 17.5 | CF/CM36B | 650 | 18.00 | 14.60 | 16.00 | 13.25 |
| TC4B1822S | MVC12CN21 | 21.0 | CF/CM24C | 650 | 18.00 | 14.90 | 16.00 | 13.25 |
| TC4B1822S | MVC12CN21 | 21.0 | CF/CM30C | 650 | 18.00 | 14.80 | 16.00 | 13.25 |
| TC4B1822S | MVC12CN21 | 21.0 | CF/CM36C | 650 | 18.00 | 14.50 | 16.00 | 13.25 |
| TC4B2422S | AE24BX21 | 17.5 | – | 825 | 24.00 | 19.00 | 16.00 | 13.00 |
| TC4B2422S | AE30BX21 | 17.5 | – | 900 | 24.00 | 19.40 | 16.00 | 13.00 |
| TC4B2422S | AE36BX21 | 17.5 | – | 850 | 24.00 | 18.90 | 16.00 | 13.00 |
| TC4B2422S | AE36CX21 | 21.0 | – | 800 | 24.00 | 18.70 | 16.00 | 13.00 |
| TC4B2422S | AP24BX21 | 17.5 | – | 675 | 23.60 | 17.30 | 14.00 | 12.00 |
| TC4B2422S | AP30BX21 | 17.5 | – | 850 | 24.00 | 18.90 | 14.25 | 12.25 |
| TC4B2422S | AVC24BX21 | 17.5 | – | 750 | 24.00 | 18.20 | 16.00 | 13.00 |
| TC4B2422S | AVC30BX21 | 17.5 | – | 750 | 24.00 | 18.00 | 16.00 | 13.00 |
| TC4B2422S | AVC36BX21 | 17.5 | – | 850 | 24.00 | 18.90 | 16.00 | 13.00 |
| TC4B2422S | AVC36CX21 | 21.0 | – | 825 | 24.00 | 18.60 | 16.00 | 13.00 |
| TC4B2422S | ME08BN21 | 17.5 | CF/CM24B | 800 | 24.00 | 18.80 | 16.00 | 13.00 |
| TC4B2422S | ME08BN21 | 17.5 | CF/CM30B | 800 | 24.00 | 18.70 | 16.00 | 13.00 |
| TC4B2422S | ME08BN21 | 17.5 | CF/CM36B | 800 | 24.00 | 18.70 | 16.00 | 13.00 |
| TC4B2422S | ME08BN21 | 17.5 | CF42B | 900 | 24.00 | 19.30 | 16.00 | 13.00 |
| TC4B2422S | ME12BN21 | 17.5 | CF/CM24B | 875 | 24.00 | 19.50 | 16.00 | 13.00 |
| TC4B2422S | ME12BN21 | 17.5 | CF/CM30B | 875 | 24.00 | 19.20 | 16.00 | 13.00 |
| TC4B2422S | ME12BN21 | 17.5 | CF/CM36B | 875 | 24.00 | 19.50 | 16.00 | 13.00 |
| TC4B2422S | ME12BN21 | 17.5 | CF42B | 850 | 24.00 | 18.90 | 16.00 | 13.00 |
| TC4B2422S | ME12CN21 | 21.0 | CF/CM24C | 850 | 24.00 | 19.20 | 16.00 | 13.00 |
| TC4B2422S | ME12CN21 | 21.0 | CF/CM30C | 850 | 24.00 | 18.80 | 16.00 | 13.00 |
| TC4B2422S | ME12CN21 | 21.0 | CF/CM36C | 850 | 24.00 | 18.90 | 16.00 | 13.00 |
| TC4B2422S | ME12CN21 | 21.0 | CF/CM42C | 850 | 24.00 | 18.90 | 16.00 | 13.00 |
| TC4B2422S | ME14DN21 | 24.5 | CF/CM36D | 875 | 24.00 | 19.50 | 16.00 | 13.00 |
| TC4B2422S | ME14DN21 | 24.5 | CF/CM42D | 875 | 24.00 | 19.10 | 16.00 | 13.00 |
| TC4B2422S | MVC08BN21 | 17.5 | CF/CM24B | 725 | 24.00 | 18.10 | 16.00 | 13.00 |
| TC4B2422S | MVC08BN21 | 17.5 | CF/CM30B | 800 | 24.00 | 18.70 | 16.00 | 13.00 |

COOLING CAPACITY - With Air Handler Coils (Continued)

| UNIT MODEL | AIR HANDLER | | COIL MODEL ¹ | COOLING | | | | |
|---------------|-------------|-------|----------------------------|--------------|---------|-------|-------|-------|
| | MODEL | WIDTH | | RATED CFM | NET MBH | | SEER | EER |
| | | | | | TOTAL | SENS. | | |
| TC4B2422S | MVC08BN21 | 17.5 | CF/CM36B | 800 | 24.00 | 18.70 | 16.00 | 13.00 |
| TC4B2422S | MVC08BN21 | 17.5 | CF42B | 725 | 24.00 | 17.70 | 16.00 | 13.00 |
| TC4B2422S | MVC12BN21 | 17.5 | CF/CM24B | 775 | 24.00 | 18.60 | 16.00 | 13.00 |
| TC4B2422S | MVC12BN21 | 17.5 | CF/CM30B | 875 | 24.00 | 19.20 | 16.00 | 13.00 |
| TC4B2422S | MVC12BN21 | 17.5 | CF/CM36B | 875 | 24.00 | 19.50 | 16.00 | 13.00 |
| TC4B2422S | MVC12BN21 | 17.5 | CF42B | 875 | 24.00 | 19.10 | 16.00 | 13.00 |
| TC4B2422S | MVC12CN21 | 21.0 | CF/CM24C | 875 | 24.00 | 19.50 | 16.00 | 13.00 |
| TC4B2422S | MVC12CN21 | 21.0 | CF/CM30C | 875 | 24.00 | 19.20 | 16.00 | 13.00 |
| TC4B2422S | MVC12CN21 | 21.0 | CF/CM36C | 875 | 24.00 | 19.50 | 16.00 | 13.00 |
| TC4B2422S | MVC12CN21 | 21.0 | CF/CM42C | 875 | 24.00 | 19.10 | 16.00 | 13.00 |
| TC4B2422S | MVC14DN21 | 24.5 | CF/CM36D | 875 | 24.00 | 19.50 | 16.00 | 13.00 |
| TC4B2422S | MVC14DN21 | 24.5 | CF/CM42D | 875 | 24.00 | 19.10 | 16.00 | 13.00 |
| TC4B3022S | AE30BX21 | 17.5 | – | 875 | 30.00 | 22.20 | 15.25 | 13.00 |
| TC4B3022S | AE36BX21 | 17.5 | – | 825 | 30.00 | 21.60 | 15.50 | 13.25 |
| TC4B3022S | AE36CX21 | 21.0 | – | 975 | 30.00 | 23.20 | 15.75 | 13.25 |
| TC4B3022S | AP30BX21 | 17.5 | – | 825 | 29.80 | 21.60 | 14.25 | 12.00 |
| TC4B3022S | AP36CX21 | 21.0 | – | 1125 | 30.00 | 24.40 | 14.00 | 12.00 |
| TC4B3022S | AVC30BX21 | 17.5 | – | 825 | 29.80 | 21.60 | 15.25 | 13.00 |
| TC4B3022S | AVC36BX21 | 17.5 | – | 850 | 30.00 | 21.80 | 15.50 | 13.25 |
| TC4B3022S | AVC36CX21 | 21.0 | – | 900 | 30.00 | 22.40 | 15.75 | 13.25 |
| TC4B3022S | ME08BN21 | 17.5 | CF/CM30B | 900 | 30.00 | 22.60 | 15.25 | 13.25 |
| TC4B3022S | ME08BN21 | 17.5 | CF/CM36B | 900 | 30.00 | 22.40 | 15.50 | 13.25 |
| TC4B3022S | ME08BN21 | 17.5 | CF42B | 875 | 30.00 | 22.20 | 15.50 | 13.25 |
| TC4B3022S | ME12BN21 | 17.5 | CF/CM30B | 850 | 30.00 | 22.00 | 15.50 | 13.25 |
| TC4B3022S | ME12BN21 | 17.5 | CF/CM36B | 850 | 30.00 | 21.80 | 15.50 | 13.25 |
| TC4B3022S | ME12BN21 | 17.5 | CF42B | 850 | 30.00 | 22.20 | 15.50 | 13.25 |
| TC4B3022S | ME12CN21 | 21.0 | CF/CM30C | 1000 | 30.00 | 23.60 | 15.50 | 13.25 |
| TC4B3022S | ME12CN21 | 21.0 | CF/CM36C | 825 | 30.00 | 21.60 | 15.75 | 13.25 |
| TC4B3022S | ME12CN21 | 21.0 | CF/CM42C | 1000 | 30.00 | 23.40 | 15.75 | 13.25 |
| TC4B3022S | ME14DN21 | 24.5 | CF/CM36D | 1025 | 30.00 | 23.60 | 16.00 | 13.25 |
| TC4B3022S | ME14DN21 | 24.5 | CF/CM42D | 1025 | 30.00 | 23.60 | 16.00 | 13.25 |
| TC4B3022S | ME16CN21 | 21.0 | CF/CM30C | 900 | 30.00 | 22.60 | 15.50 | 13.25 |
| TC4B3022S | ME16CN21 | 21.0 | CF/CM36C | 900 | 30.00 | 22.40 | 15.75 | 13.25 |
| TC4B3022S | ME16CN21 | 21.0 | CF/CM42C | 900 | 30.00 | 22.40 | 15.75 | 13.25 |
| TC4B3022S | MVC08BN21 | 17.5 | CF/CM30B | 825 | 29.80 | 21.60 | 15.25 | 13.00 |
| TC4B3022S | MVC08BN21 | 17.5 | CF/CM36B | 825 | 30.00 | 21.60 | 15.50 | 13.25 |
| TC4B3022S | MVC08BN21 | 17.5 | CF42B | 850 | 30.00 | 22.20 | 15.50 | 13.25 |
| TC4B3022S | MVC12BN21 | 17.5 | CF/CM30B | 875 | 30.00 | 22.40 | 15.25 | 13.25 |
| TC4B3022S | MVC12BN21 | 17.5 | CF/CM36B | 875 | 30.00 | 22.20 | 15.50 | 13.25 |
| TC4B3022S | MVC12BN21 | 17.5 | CF42B | 875 | 30.00 | 22.20 | 15.50 | 13.25 |
| TC4B3022S | MVC12CN21 | 21.0 | CF/CM30C | 1000 | 30.00 | 23.60 | 15.75 | 13.25 |
| TC4B3022S | MVC12CN21 | 21.0 | CF/CM36C | 1050 | 30.00 | 24.00 | 15.75 | 13.25 |
| TC4B3022S | MVC12CN21 | 21.0 | CF/CM42C | 975 | 30.00 | 23.20 | 16.00 | 13.25 |
| TC4B3022S | MVC14DN21 | 24.5 | CF/CM36D | 1050 | 30.00 | 24.00 | 16.00 | 13.25 |
| TC4B3022S | MVC14DN21 | 24.5 | CF/CM42D | 1000 | 30.00 | 23.40 | 16.00 | 13.25 |
| TC4B3022S | MVC16CN21 | 21.0 | CF/CM30C | 1125 | 30.00 | 24.60 | 15.50 | 13.25 |
| TC4B3022S | MVC16CN21 | 21.0 | CF/CM36C | 925 | 30.00 | 22.60 | 15.75 | 13.25 |
| TC4B3022S | MVC16CN21 | 21.0 | CF/CM42C | 1125 | 30.00 | 24.40 | 16.00 | 13.25 |
| TC4B3622S | AE36BX21 | 17.5 | – | 975 | 34.80 | 25.60 | 15.00 | 12.50 |
| TC4B3622S | AE36CX21 | 21.0 | – | 975 | 35.00 | 25.60 | 15.50 | 12.75 |
| TC4B3622S | AE42CX21 | 21.0 | – | 1150 | 36.00 | 28.20 | 15.25 | 12.75 |
| TC4B3622S | AE48CX21 | 21.0 | – | 1050 | 35.60 | 26.80 | 15.75 | 13.00 |
| TC4B3622S | AE48DX21 | 24.5 | – | 1050 | 35.80 | 27.00 | 16.00 | 13.00 |

COOLING CAPACITY - With Air Handler Coils (Continued)

| UNIT MODEL | AIR HANDLER | | COIL MODEL ¹ | COOLING | | | | |
|---------------|-------------|-------|----------------------------|--------------|---------|-------|-------|-------|
| | MODEL | WIDTH | | RATED CFM | NET MBH | | SEER | EER |
| | | | | | TOTAL | SENS. | | |
| TC4B3622S | AP36BX21 | 17.5 | – | 1150 | 35.20 | 27.40 | 14.00 | 12.00 |
| TC4B3622S | AP36CX21 | 21.0 | – | 1125 | 35.40 | 27.20 | 14.00 | 12.00 |
| TC4B3622S | AP37CX21 | 21.0 | – | 1125 | 35.40 | 27.20 | 14.00 | 12.00 |
| TC4B3622S | AP48CX21 | 21.0 | – | 1300 | 36.00 | 29.80 | 14.00 | 12.00 |
| TC4B3622S | AVC36BX21 | 17.5 | – | 1000 | 34.80 | 25.80 | 15.00 | 12.50 |
| TC4B3622S | AVC36CX21 | 21.0 | – | 1025 | 35.20 | 26.00 | 15.50 | 12.75 |
| TC4B3622S | AVC42CX21 | 21.0 | – | 1050 | 35.60 | 26.80 | 15.50 | 13.00 |
| TC4B3622S | AVC48CX21 | 21.0 | – | 1025 | 35.60 | 26.40 | 15.50 | 13.00 |
| TC4B3622S | AVC48DX21 | 24.5 | – | 1050 | 35.60 | 26.80 | 15.75 | 13.00 |
| TC4B3622S | ME12BN21 | 17.5 | CF/CM36B | 1050 | 35.20 | 26.60 | 15.25 | 12.75 |
| TC4B3622S | ME12BN21 | 17.5 | CF42B | 1050 | 35.60 | 26.60 | 15.25 | 12.75 |
| TC4B3622S | ME12CN21 | 21.0 | CF/CM36C | 1000 | 35.00 | 26.00 | 15.50 | 12.75 |
| TC4B3622S | ME12CN21 | 21.0 | CF/CM42C | 1000 | 35.40 | 26.00 | 15.50 | 13.00 |
| TC4B3622S | ME12CN21 | 21.0 | CF/CM48C | 1000 | 35.40 | 26.00 | 15.50 | 13.00 |
| TC4B3622S | ME14DN21 | 24.5 | CF/CM36D | 1025 | 35.40 | 26.20 | 15.50 | 13.00 |
| TC4B3622S | ME14DN21 | 24.5 | CF/CM42D | 1025 | 35.60 | 26.40 | 15.75 | 13.00 |
| TC4B3622S | ME14DN21 | 24.5 | CF/CM48D | 1025 | 35.60 | 26.40 | 15.75 | 13.00 |
| TC4B3622S | ME16CN21 | 21.0 | CF/CM36C | 1100 | 35.40 | 27.20 | 15.50 | 12.75 |
| TC4B3622S | ME16CN21 | 21.0 | CF/CM42C | 1100 | 35.80 | 27.40 | 15.50 | 13.00 |
| TC4B3622S | ME16CN21 | 21.0 | CF/CM48C | 1100 | 36.00 | 27.40 | 15.50 | 13.00 |
| TC4B3622S | ME20DN21 | 24.5 | CF/CM36D | 1275 | 36.00 | 29.60 | 15.75 | 13.00 |
| TC4B3622S | ME20DN21 | 24.5 | CF/CM42D | 1275 | 36.00 | 28.80 | 15.75 | 13.00 |
| TC4B3622S | ME20DN21 | 24.5 | CF/CM48D | 1275 | 36.00 | 29.40 | 15.75 | 13.00 |
| TC4B3622S | MVC08BN21 | 17.5 | CF/CM36B | 1000 | 34.80 | 25.80 | 15.00 | 12.50 |
| TC4B3622S | MVC08BN21 | 17.5 | CF42B | 1000 | 35.20 | 25.80 | 15.00 | 12.50 |
| TC4B3622S | MVC12BN21 | 17.5 | CF/CM36B | 975 | 34.80 | 25.60 | 15.25 | 12.75 |
| TC4B3622S | MVC12BN21 | 17.5 | CF42B | 975 | 34.80 | 25.60 | 15.25 | 12.75 |
| TC4B3622S | MVC12CN21 | 21.0 | CF/CM36C | 1000 | 35.00 | 26.00 | 15.50 | 13.00 |
| TC4B3622S | MVC12CN21 | 21.0 | CF/CM42C | 1050 | 35.60 | 26.40 | 15.75 | 13.00 |
| TC4B3622S | MVC12CN21 | 21.0 | CF/CM48C | 1050 | 35.60 | 26.80 | 15.75 | 13.00 |
| TC4B3622S | MVC14DN21 | 24.5 | CF/CM36D | 1100 | 35.60 | 27.40 | 15.75 | 13.00 |
| TC4B3622S | MVC14DN21 | 24.5 | CF/CM42D | 1250 | 36.00 | 28.80 | 15.75 | 13.00 |
| TC4B3622S | MVC14DN21 | 24.5 | CF/CM48D | 1100 | 36.00 | 27.40 | 16.00 | 13.00 |
| TC4B3622S | MVC16CN21 | 21.0 | CF/CM36C | 1125 | 35.60 | 27.60 | 15.50 | 13.00 |
| TC4B3622S | MVC16CN21 | 21.0 | CF/CM42C | 1150 | 36.00 | 28.00 | 15.75 | 13.00 |
| TC4B3622S | MVC16CN21 | 21.0 | CF/CM48C | 1125 | 36.00 | 28.00 | 15.75 | 13.00 |
| TC4B3622S | MVC20DN21 | 24.5 | CF/CM36D | 1175 | 36.00 | 28.40 | 15.75 | 13.00 |
| TC4B3622S | MVC20DN21 | 24.5 | CF/CM42D | 1275 | 36.00 | 28.80 | 16.00 | 13.00 |
| TC4B3622S | MVC20DN21 | 24.5 | CF/CM48D | 1175 | 36.00 | 28.20 | 16.00 | 13.00 |
| TC4B4222S | AE42CX21 | 21.0 | – | 1350 | 41.50 | 32.40 | 15.00 | 12.50 |
| TC4B4222S | AE48CX21 | 21.0 | – | 1200 | 41.50 | 31.00 | 15.50 | 12.75 |
| TC4B4222S | AE48DX21 | 24.5 | – | 1250 | 42.00 | 31.60 | 15.75 | 12.75 |
| TC4B4222S | AE60CX21 | 21.0 | – | 1200 | 42.00 | 31.20 | 15.25 | 12.75 |
| TC4B4222S | AE60CX22 | 21.0 | – | 1200 | 41.50 | 30.40 | 15.25 | 12.75 |
| TC4B4222S | AP48CX21 | 21.0 | – | 1300 | 41.50 | 32.00 | 14.00 | 12.00 |
| TC4B4222S | AP48DX21 | 24.5 | – | 1475 | 41.50 | 33.60 | 14.25 | 12.00 |
| TC4B4222S | AVC42CX21 | 21.0 | – | 1250 | 41.50 | 31.20 | 15.00 | 12.50 |
| TC4B4222S | AVC48CX21 | 21.0 | – | 1200 | 41.50 | 31.00 | 15.25 | 12.75 |
| TC4B4222S | AVC48DX21 | 24.5 | – | 1225 | 42.00 | 31.60 | 15.50 | 12.75 |
| TC4B4222S | AVC60DX21 | 24.5 | – | 1200 | 42.00 | 31.00 | 15.75 | 12.75 |
| TC4B4222S | ME12BN21 | 17.5 | CF42B | 1225 | 41.00 | 30.60 | 14.75 | 12.50 |
| TC4B4222S | ME12CN21 | 21.0 | CF/CM42C | 1225 | 41.50 | 31.00 | 15.25 | 12.75 |
| TC4B4222S | ME12CN21 | 21.0 | CF/CM48C | 1225 | 41.50 | 31.20 | 15.25 | 12.75 |

COOLING CAPACITY - With Air Handler Coils (Continued)

| UNIT MODEL | AIR HANDLER | | COIL MODEL ¹ | COOLING | | | | |
|---------------|-------------|-------|----------------------------|--------------|---------|-------|-------|-------|
| | MODEL | WIDTH | | RATED CFM | NET MBH | | SEER | EER |
| | | | | | TOTAL | SENS. | | |
| TC4B4222S | ME12CN21 | 21.0 | CF/CM60C | 1225 | 41.50 | 30.60 | 15.25 | 12.75 |
| TC4B4222S | ME14DN21 | 24.5 | CF/CM42D | 1200 | 41.50 | 30.80 | 15.50 | 12.75 |
| TC4B4222S | ME14DN21 | 24.5 | CF/CM48D | 1200 | 41.50 | 31.00 | 15.50 | 12.75 |
| TC4B4222S | ME14DN21 | 24.5 | CF/CM60D | 1200 | 42.00 | 31.20 | 15.50 | 12.75 |
| TC4B4222S | ME14DN21 | 24.5 | CF/CM64D | 1200 | 42.00 | 31.00 | 15.75 | 12.75 |
| TC4B4222S | ME16CN21 | 21.0 | CF/CM42C | 1325 | 42.00 | 32.40 | 15.00 | 12.50 |
| TC4B4222S | ME16CN21 | 21.0 | CF/CM48C | 1325 | 42.00 | 32.20 | 15.00 | 12.50 |
| TC4B4222S | ME16CN21 | 21.0 | CF/CM60C | 1325 | 42.00 | 31.80 | 15.00 | 12.50 |
| TC4B4222S | ME20DN21 | 24.5 | CF/CM42D | 1275 | 42.00 | 31.80 | 15.75 | 12.75 |
| TC4B4222S | ME20DN21 | 24.5 | CF/CM48D | 1275 | 42.00 | 31.80 | 15.75 | 12.75 |
| TC4B4222S | ME20DN21 | 24.5 | CF/CM60D | 1275 | 42.00 | 31.80 | 15.75 | 12.75 |
| TC4B4222S | ME20DN21 | 24.5 | CF/CM64D | 1250 | 42.00 | 31.40 | 16.00 | 13.00 |
| TC4B4222S | MVC12BN21 | 17.5 | CF42B | 1175 | 40.50 | 29.80 | 14.75 | 12.50 |
| TC4B4222S | MVC12CN21 | 21.0 | CF/CM42C | 1175 | 41.50 | 30.80 | 15.25 | 12.75 |
| TC4B4222S | MVC12CN21 | 21.0 | CF/CM48C | 1175 | 41.50 | 30.80 | 15.25 | 12.75 |
| TC4B4222S | MVC12CN21 | 21.0 | CF/CM60C | 1175 | 41.50 | 30.20 | 15.25 | 12.75 |
| TC4B4222S | MVC14DN21 | 24.5 | CF/CM42D | 1175 | 41.50 | 30.60 | 15.75 | 12.75 |
| TC4B4222S | MVC14DN21 | 24.5 | CF/CM48D | 1175 | 41.50 | 30.80 | 15.75 | 12.75 |
| TC4B4222S | MVC14DN21 | 24.5 | CF/CM60D | 1250 | 42.00 | 31.60 | 16.00 | 13.00 |
| TC4B4222S | MVC14DN21 | 24.5 | CF/CM64D | 1250 | 42.00 | 31.60 | 16.00 | 13.00 |
| TC4B4222S | MVC16CN21 | 21.0 | CF/CM42C | 1275 | 42.00 | 31.80 | 15.50 | 12.75 |
| TC4B4222S | MVC16CN21 | 21.0 | CF/CM48C | 1275 | 42.00 | 31.80 | 15.50 | 12.75 |
| TC4B4222S | MVC16CN21 | 21.0 | CF/CM60C | 1275 | 42.00 | 31.00 | 15.50 | 12.75 |
| TC4B4222S | MVC20DN21 | 24.5 | CF/CM42D | 1300 | 42.00 | 31.80 | 15.75 | 12.75 |
| TC4B4222S | MVC20DN21 | 24.5 | CF/CM48D | 1300 | 42.00 | 32.20 | 15.75 | 12.75 |
| TC4B4222S | MVC20DN21 | 24.5 | CF/CM60D | 1275 | 42.00 | 31.80 | 16.00 | 13.00 |
| TC4B4222S | MVC20DN21 | 24.5 | CF/CM64D | 1300 | 42.00 | 31.60 | 16.00 | 13.00 |
| TC4B4821S | AE48CX21 | 21.0 | – | 1425 | 47.00 | 33.50 | 15.75 | 12.75 |
| TC4B4821S | AE48DX21 | 24.5 | – | 1425 | 47.00 | 34.00 | 15.75 | 12.75 |
| TC4B4821S | AE60CX21 | 21.0 | – | 1425 | 47.50 | 34.50 | 15.75 | 12.75 |
| TC4B4821S | AE60DX21 | 24.5 | – | 1400 | 48.00 | 34.50 | 16.00 | 13.00 |
| TC4B4821S | AP48CX21 | 21.0 | – | 1300 | 48.00 | 33.50 | 14.00 | 11.75 |
| TC4B4821S | AP48DX21 | 24.5 | – | 1600 | 47.50 | 34.00 | 14.00 | 11.75 |
| TC4B4821S | AP60CX21 | 21.0 | – | 1600 | 48.00 | 36.50 | 14.00 | 12.00 |
| TC4B4821S | AP60DX22 | 24.5 | – | 1525 | 48.00 | 35.20 | 14.50 | 12.00 |
| TC4B4821S | AP60DX23 | 24.5 | – | 1525 | 48.00 | 35.20 | 14.50 | 12.00 |
| TC4B4821S | AVC48CX21 | 21.0 | – | 1350 | 48.00 | 34.00 | 15.25 | 12.50 |
| TC4B4821S | AVC48DX21 | 24.5 | – | 1350 | 48.00 | 34.50 | 15.75 | 12.75 |
| TC4B4821S | AVC60CX21 | 21.0 | – | 1350 | 48.00 | 34.50 | 15.75 | 12.75 |
| TC4B4821S | AVC60DX21 | 24.5 | – | 1475 | 48.00 | 35.00 | 15.75 | 12.75 |
| TC4B4821S | ME14DN21 | 24.5 | CF/CM60D | 1425 | 48.00 | 34.50 | 15.75 | 12.75 |
| TC4B4821S | ME14DN21 | 24.5 | CF/CM64D | 1375 | 48.00 | 34.00 | 16.00 | 13.00 |
| TC4B4821S | ME16CN21 | 21.0 | CF/CM48C | 1475 | 48.00 | 35.50 | 15.75 | 12.75 |
| TC4B4821S | ME16CN21 | 21.0 | CF/CM60C | 1450 | 48.00 | 35.00 | 15.75 | 12.75 |
| TC4B4821S | ME20DN21 | 24.5 | CF/CM48D | 1475 | 48.00 | 35.50 | 15.75 | 12.75 |
| TC4B4821S | ME20DN21 | 24.5 | CF/CM60D | 1400 | 48.00 | 34.50 | 15.75 | 12.75 |
| TC4B4821S | ME20DN21 | 24.5 | CF/CM64D | 1425 | 48.00 | 35.00 | 16.00 | 13.00 |
| TC4B4821S | MVC14DN21 | 24.5 | CF/CM48D | 1325 | 48.00 | 33.50 | 15.50 | 12.75 |
| TC4B4821S | MVC14DN21 | 24.5 | CF/CM60D | 1350 | 48.00 | 33.50 | 15.75 | 12.75 |
| TC4B4821S | MVC14DN21 | 24.5 | CF/CM64D | 1325 | 48.00 | 33.50 | 16.00 | 13.00 |
| TC4B4821S | MVC16CN21 | 21.0 | CF/CM48C | 1425 | 48.00 | 34.50 | 15.50 | 12.75 |
| TC4B4821S | MVC16CN21 | 21.0 | CF/CM60C | 1650 | 48.00 | 37.00 | 16.00 | 13.00 |
| TC4B4821S | MVC20DN21 | 24.5 | CF/CM48D | 1450 | 48.00 | 35.00 | 15.50 | 12.75 |

COOLING CAPACITY - With Air Handler Coils (Continued)

| UNIT MODEL | AIR HANDLER | | COIL MODEL ¹ | COOLING | | | | |
|------------|-------------|-------|-------------------------|-----------|---------|-------|-------|-------|
| | MODEL | WIDTH | | RATED CFM | NET MBH | | SEER | EER |
| | | | | | TOTAL | SENS. | | |
| TC4B4821S | MVC20DN21 | 24.5 | CF/CM60D | 1475 | 48.00 | 35.50 | 15.75 | 12.75 |
| TC4B4821S | MVC20DN21 | 24.5 | CF/CM64D | 1375 | 48.00 | 34.00 | 16.00 | 13.00 |
| TC4B6021S | AE60CX21 | 21.0 | — | 1625 | 56.00 | 40.00 | 14.25 | 12.00 |
| TC4B6021S | AP60DX22 | 24.5 | — | 1525 | 54.50 | 38.00 | 14.00 | 11.75 |
| TC4B6021S | AP60DX23 | 24.5 | — | 1525 | 54.50 | 38.00 | 14.00 | 11.75 |
| TC4B6021S | AVC60CX21 | 21.0 | — | 1750 | 56.50 | 41.50 | 14.00 | 12.00 |
| TC4B6021S | AVC60DX21 | 24.5 | — | 1650 | 57.50 | 41.00 | 14.75 | 12.25 |
| TC4B6021S | ME16CN21 | 21.0 | CF/CM60C | 1625 | 56.00 | 40.00 | 14.50 | 12.25 |
| TC4B6021S | ME20DN21 | 24.5 | CF/CM60D | 1650 | 56.50 | 40.00 | 14.50 | 12.25 |
| TC4B6021S | ME20DN21 | 24.5 | CF/CM64D | 1625 | 57.50 | 40.50 | 14.75 | 12.25 |
| TC4B6021S | MVC16CN21 | 21.0 | CF/CM60C | 1650 | 57.00 | 40.50 | 15.50 | 12.75 |
| TC4B6021S | MVC20DN21 | 24.5 | CF/CM60D | 1700 | 56.00 | 40.00 | 14.50 | 12.00 |
| TC4B6021S | MVC20DN21 | 24.5 | CF/CM64D | 1700 | 57.00 | 40.50 | 14.75 | 12.25 |

Rated in accordance with DOE test procedures (Federal Register 12-27-79 and 3-18-88) and ANSI/AHRI Standard 210/240.

Cooling MBH based on 80°F entering air temperature, 50% RH (Relative Humidity), and rated air flow.

EER (Energy Efficiency Ratio) is the total cooling output in BTUs at 95°F outdoor ambient divided by the total electric power in watt-hours at those conditions.

SEER (Seasonal Energy Efficiency Ratio) is the total cooling output in BTUs during a normal annual usage period for cooling divided by the total electric power input in watt-hours during the same period.

1. CM coils available with a factory installed horizontal drain pan. See price pages for specific model number.

— = Not applicable.

MP Modular Air Handlers use Coil Only Ratings.

COOLING CAPACITY - Upflow, Downflow & Horizontal Furnaces and Coils (Coil Only Ratings)

| UNIT MODEL | COIL | | CFM RANGE (MIN.-MAX.) | COOLING | | | | |
|------------|-------------|-------|-----------------------|-----------|---------|-------|-------------------|-------|
| | MODEL | WIDTH | | RATED CFM | NET MBH | | SEER ¹ | EER |
| | | | | | TOTAL | SENS. | | |
| TC4B1822S | CF/CM/CU18A | 14.5 | 450 - 750 | 600 | 17.1 | 12.3 | 14.20 | 12.00 |
| TC4B1822S | CF/CM/CU18B | 17.5 | 450 - 750 | 600 | 17.1 | 13.8 | 14.00 | 12.00 |
| TC4B1822S | CF/CM/CU24A | 14.5 | 450 - 750 | 600 | 17.5 | 14.0 | 14.00 | 12.00 |
| TC4B1822S | CF/CM/CU24B | 17.5 | 450 - 750 | 600 | 17.5 | 14.0 | 14.00 | 12.00 |
| TC4B1822S | CF/CM/CU30A | 14.5 | 450 - 750 | 600 | 17.7 | 14.1 | 14.00 | 12.25 |
| TC4B1822S | CF/CM/CU30B | 17.5 | 450 - 750 | 600 | 17.7 | 14.1 | 14.00 | 12.25 |
| TC4B1822S | CF/CM/CU36B | 17.5 | 450 - 750 | 600 | 17.8 | 14.0 | 14.00 | 12.25 |
| TC4B1822S | CF/CM/CU36C | 21.0 | 450 - 750 | 600 | 17.8 | 14.0 | 14.00 | 12.25 |
| TC4B1822S | CF/CM24C | 21.0 | 450 - 750 | 600 | 17.5 | 14.0 | 14.00 | 12.00 |
| TC4B1822S | CF/CM30C | 21.0 | 450 - 750 | 600 | 17.7 | 14.1 | 14.00 | 12.25 |
| TC4B1822S | CF/CM36D | 24.5 | 450 - 750 | 600 | 17.8 | 14.0 | 14.00 | 12.25 |
| TC4B2422S | CF/CM/CU24A | 14.5 | 600 - 1000 | 800 | 23.8 | 16.8 | 14.00 | 12.00 |
| TC4B2422S | CF/CM/CU24B | 17.5 | 600 - 1000 | 800 | 23.8 | 18.6 | 14.00 | 12.00 |
| TC4B2422S | CF/CM/CU30A | 14.5 | 600 - 1000 | 800 | 23.8 | 18.6 | 14.00 | 12.00 |
| TC4B2422S | CF/CM/CU30B | 17.5 | 600 - 1000 | 800 | 23.8 | 18.6 | 14.00 | 12.00 |
| TC4B2422S | CF/CM/CU36B | 17.5 | 600 - 1000 | 800 | 23.8 | 18.6 | 14.00 | 12.00 |
| TC4B2422S | CF/CM/CU36C | 21.0 | 600 - 1000 | 800 | 23.8 | 18.6 | 14.00 | 12.00 |
| TC4B2422S | CF/CM/CU42C | 21.0 | 600 - 1000 | 800 | 24.0 | 18.5 | 14.25 | 12.25 |
| TC4B2422S | CF/CM24C | 21.0 | 600 - 1000 | 800 | 23.8 | 18.6 | 14.00 | 12.00 |
| TC4B2422S | CF/CM30C | 21.0 | 600 - 1000 | 800 | 23.8 | 18.6 | 14.00 | 12.00 |
| TC4B2422S | CF/CM36D | 24.5 | 600 - 1000 | 800 | 23.8 | 18.6 | 14.00 | 12.00 |
| TC4B2422S | CF/CM42D | 24.5 | 600 - 1000 | 800 | 24.0 | 18.5 | 14.25 | 12.25 |
| TC4B3022S | CF/CM/CU30B | 17.5 | 800 - 1200 | 1000 | 29.8 | 21.4 | 14.00 | 12.00 |
| TC4B3022S | CF/CM/CU36B | 17.5 | 800 - 1200 | 1000 | 29.8 | 23.2 | 14.00 | 12.00 |
| TC4B3022S | CF/CM/CU36C | 21.0 | 800 - 1200 | 1000 | 29.8 | 23.2 | 14.00 | 12.00 |
| TC4B3022S | CF/CM/CU42C | 21.0 | 800 - 1200 | 1000 | 30.0 | 23.4 | 14.00 | 12.00 |
| TC4B3022S | CF/CM30C | 21.0 | 800 - 1200 | 1000 | 29.8 | 23.4 | 14.00 | 12.00 |
| TC4B3022S | CF/CM36D | 24.5 | 800 - 1200 | 1000 | 29.8 | 23.2 | 14.00 | 12.00 |
| TC4B3022S | CF/CM42D | 24.5 | 800 - 1200 | 1000 | 30.0 | 23.4 | 14.00 | 12.00 |

COOLING CAPACITY - Upflow, Downflow & Horizontal Furnaces and Coils (Coil Only Ratings) (Continued)

| UNIT MODEL | COIL | | CFM RANGE (MIN.-MAX.) | COOLING | | | | |
|------------|-------------|-------|--------------------------|--------------|---------|-------|-------------------|-------|
| | MODEL | WIDTH | | RATED CFM | NET MBH | | SEER ¹ | EER |
| | | | | | TOTAL | SENS. | | |
| TC4B3622S | CF/CM/CU36B | 17.5 | 1000 - 1400 | 1200 | 35.0 | 24.4 | 14.00 | 12.00 |
| TC4B3622S | CF/CM/CU36C | 21.0 | 1000 - 1400 | 1200 | 35.0 | 27.8 | 14.00 | 12.00 |
| TC4B3622S | CF/CM/CU42C | 21.0 | 1000 - 1400 | 1200 | 35.2 | 27.8 | 14.00 | 12.00 |
| TC4B3622S | CF/CM/CU48C | 21.0 | 1000 - 1400 | 1200 | 35.4 | 28.2 | 14.00 | 12.00 |
| TC4B3622S | CF/CM/CU48D | 24.5 | 1000 - 1400 | 1200 | 35.4 | 28.2 | 14.00 | 12.00 |
| TC4B3622S | CF/CM36D | 24.5 | 1000 - 1400 | 1200 | 35.0 | 27.8 | 14.00 | 12.00 |
| TC4B3622S | CF/CM42D | 24.5 | 1000 - 1400 | 1200 | 35.2 | 27.8 | 14.00 | 12.00 |
| TC4B4222S | CF/CM/CU42C | 21.0 | 1200 - 1600 | 1400 | 41.0 | 29.2 | 14.00 | 12.00 |
| TC4B4222S | CF/CM/CU48C | 21.0 | 1200 - 1600 | 1400 | 41.5 | 32.8 | 14.00 | 12.00 |
| TC4B4222S | CF/CM/CU48D | 24.5 | 1200 - 1600 | 1400 | 41.5 | 32.8 | 14.00 | 12.00 |
| TC4B4222S | CF/CM/CU60C | 21.0 | 1200 - 1600 | 1400 | 41.5 | 31.4 | 14.00 | 12.00 |
| TC4B4222S | CF/CM/CU60D | 24.5 | 1200 - 1600 | 1400 | 41.5 | 32.2 | 14.00 | 12.00 |
| TC4B4222S | CF/CM42D | 24.5 | 1200 - 1600 | 1400 | 41.0 | 32.2 | 14.00 | 12.00 |
| TC4B4222S | CF/CM64D | 24.5 | 1200 - 1600 | 1400 | 42.0 | 32.4 | 14.25 | 12.25 |
| TC4B4821S | CF/CM/CU48C | 21.0 | 1400 - 1800 | 1600 | 47.5 | 34.2 | 14.00 | 11.75 |
| TC4B4821S | CF/CM/CU48D | 24.5 | 1400 - 1800 | 1600 | 47.5 | 34.2 | 14.00 | 11.75 |
| TC4B4821S | CF/CM/CU60C | 21.0 | 1400 - 1800 | 1600 | 48.0 | 36.0 | 14.00 | 12.25 |
| TC4B4821S | CF/CM/CU60D | 24.5 | 1400 - 1800 | 1600 | 48.0 | 36.0 | 14.50 | 12.00 |
| TC4B4821S | CF/CM64D | 24.5 | 1400 - 1800 | 1600 | 48.0 | 36.0 | 14.50 | 12.25 |
| TC4B6021S | CF/CM/CU60C | 21.0 | 1535 - 1935 | 1735 | 56.0 | 41.0 | 14.00 | 11.75 |
| TC4B6021S | CF/CM/CU60D | 24.5 | 1535 - 1935 | 1725 | 56.0 | 41.0 | 14.00 | 11.75 |
| TC4B6021S | CF/CM64D | 24.5 | 1535 - 1935 | 1775 | 57.0 | 42.0 | 14.00 | 11.75 |

For rated condition information, see the footnotes below the System Capacity - Single Piece and Modular Air Handlers table.

1. Requires a S1-2FD06700224 Blower Time Delay unless a standard furnace is equipped with one.

MP Modular Air Handlers use Coil Only Ratings.

PSC furnaces, such as the TG8S, TGLS, and TG9S, use Coil Only Ratings.

COOLING CAPACITY - With High Efficiency Motor Furnaces¹

| UNIT MODEL | FURNACE | | COIL MODEL ² | COOLING | | | | |
|---------------|----------------|-------|----------------------------|--------------|---------|-------|-------|-------|
| | MODEL | WIDTH | | RATED CFM | NET MBH | | SEER | EER |
| | | | | | TOTAL | SENS. | | |
| TC4B1822S | TL8E060A12UH11 | 14.5 | CF/CM/CU18A | 600 | 17.7 | 14.3 | 15.75 | 13.00 |
| TC4B1822S | TL8E060A12UH11 | 14.5 | CF/CM/CU18B | 650 | 17.7 | 14.6 | 16.00 | 13.25 |
| TC4B1822S | TL8E060A12UH11 | 14.5 | CF/CM/CU24A | 600 | 17.8 | 14.2 | 16.00 | 13.25 |
| TC4B1822S | TL8E060A12UH11 | 14.5 | CF/CM/CU24B | 700 | 17.8 | 15.4 | 16.00 | 13.25 |
| TC4B1822S | TL8E060A12UH11 | 14.5 | CF/CM/CU30A | 600 | 17.8 | 14.2 | 16.00 | 13.25 |
| TC4B1822S | TL8E060A12UH11 | 14.5 | CF/CM/CU30B | 700 | 17.9 | 15.1 | 16.00 | 13.25 |
| TC4B1822S | TL8E060A12UH11 | 14.5 | CF/CM/CU36B | 700 | 18.0 | 15.0 | 16.00 | 13.25 |
| TC4B1822S | TL8E060A12UH11 | 14.5 | CF/CM36A | 625 | 18.0 | 14.8 | 16.00 | 13.25 |
| TC4B1822S | TL9E060B12UH11 | 17.5 | CF/CM/CU18B | 650 | 17.6 | 14.6 | 15.75 | 13.00 |
| TC4B1822S | TL9E060B12UH11 | 17.5 | CF/CM/CU24B | 650 | 17.8 | 14.7 | 16.00 | 13.25 |
| TC4B1822S | TL9E060B12UH11 | 17.5 | CF/CM/CU30B | 675 | 17.9 | 14.8 | 16.00 | 13.25 |
| TC4B1822S | TL9E060B12UH11 | 17.5 | CF/CM/CU36B | 650 | 18.0 | 14.6 | 16.00 | 13.25 |
| TC4B1822S | TL9E060B12UH11 | 17.5 | CF/CM/CU36C | 700 | 18.0 | 15.0 | 16.00 | 13.25 |
| TC4B1822S | TL9E060B12UH11 | 17.5 | CF/CM24C | 650 | 17.8 | 14.7 | 16.00 | 13.25 |
| TC4B1822S | TL9E060B12UH11 | 17.5 | CF/CM30C | 700 | 17.9 | 15.1 | 16.00 | 13.25 |
| TC4B1822S | TM8E040A12MP11 | 14.5 | CF/CM/CU18A | 650 | 17.7 | 14.6 | 16.00 | 13.25 |
| TC4B1822S | TM8E040A12MP11 | 14.5 | CF/CM/CU18B | 675 | 17.7 | 14.9 | 15.75 | 13.00 |
| TC4B1822S | TM8E040A12MP11 | 14.5 | CF/CM/CU24A | 650 | 17.7 | 14.7 | 16.00 | 13.25 |
| TC4B1822S | TM8E040A12MP11 | 14.5 | CF/CM/CU24B | 700 | 17.7 | 15.3 | 16.00 | 13.25 |
| TC4B1822S | TM8E040A12MP11 | 14.5 | CF/CM/CU30A | 625 | 17.8 | 14.4 | 16.00 | 13.25 |
| TC4B1822S | TM8E040A12MP11 | 14.5 | CF/CM/CU30B | 675 | 17.8 | 14.7 | 16.00 | 13.25 |
| TC4B1822S | TM8E040A12MP11 | 14.5 | CF/CM/CU36B | 700 | 18.0 | 15.0 | 16.00 | 13.25 |

COOLING CAPACITY - With High Efficiency Motor Furnaces¹ (Continued)

| UNIT MODEL | FURNACE | | COIL MODEL ² | COOLING | | | | |
|---------------|-----------------|-------|----------------------------|--------------|---------|-------|-------|-------|
| | MODEL | WIDTH | | RATED CFM | NET MBH | | SEER | EER |
| | | | | | TOTAL | SENS. | | |
| TC4B1822S | TM8E040A12MP11 | 14.5 | CF/CM36A | 725 | 18.0 | 15.4 | 16.00 | 13.25 |
| TC4B1822S | TM8E060A12MP11 | 14.5 | CF/CM/CU30A | 725 | 17.8 | 15.2 | 16.00 | 13.25 |
| TC4B1822S | TM8E060A12MP11 | 14.5 | CF/CM36A | 725 | 18.0 | 15.4 | 16.00 | 13.25 |
| TC4B1822S | TM8E080B12MP11 | 17.5 | CF/CM/CU30B | 725 | 17.8 | 15.2 | 16.00 | 13.25 |
| TC4B1822S | TM8E080B12MP11 | 17.5 | CF/CM/CU36B | 725 | 18.0 | 15.4 | 16.00 | 13.25 |
| TC4B1822S | TM8E100B12MP11 | 17.5 | CF/CM/CU18B | 700 | 17.6 | 15.2 | 16.00 | 13.25 |
| TC4B1822S | TM8E100B12MP11 | 17.5 | CF/CM/CU30B | 725 | 17.8 | 15.2 | 16.00 | 13.25 |
| TC4B1822S | TM8E100B12MP11 | 17.5 | CF/CM/CU36B | 725 | 18.0 | 15.4 | 16.00 | 13.25 |
| TC4B1822S | TM8E100B12MP11 | 17.5 | CF/CM/CU36C | 725 | 18.0 | 15.3 | 16.00 | 13.25 |
| TC4B1822S | TM8E100B12MP11 | 17.5 | CF/CM30C | 725 | 17.8 | 15.2 | 16.00 | 13.25 |
| TC4B1822S | TM8V060A12MP11C | 14.5 | CF/CM/CU18A | 625 | 17.9 | 14.5 | 15.75 | 13.25 |
| TC4B1822S | TM8V060A12MP11C | 14.5 | CF/CM/CU18B | 625 | 17.9 | 14.5 | 15.75 | 13.25 |
| TC4B1822S | TM8V060A12MP11C | 14.5 | CF/CM/CU24A | 625 | 18.0 | 14.7 | 16.00 | 13.25 |
| TC4B1822S | TM8V060A12MP11C | 14.5 | CF/CM/CU24B | 625 | 18.0 | 14.6 | 16.00 | 13.25 |
| TC4B1822S | TM8V060A12MP11C | 14.5 | CF/CM/CU30A | 625 | 18.0 | 14.5 | 16.00 | 13.25 |
| TC4B1822S | TM8V060A12MP11C | 14.5 | CF/CM/CU30B | 625 | 18.0 | 14.5 | 16.00 | 13.25 |
| TC4B1822S | TM8V060A12MP11C | 14.5 | CF/CM/CU36B | 625 | 18.0 | 14.8 | 16.00 | 13.25 |
| TC4B1822S | TM8V060A12MP11C | 14.5 | CF/CM36A | 625 | 18.0 | 14.7 | 16.00 | 13.25 |
| TC4B1822S | TM8V060A12MP12C | 14.5 | CF/CM/CU18A | 625 | 17.9 | 14.5 | 15.75 | 13.25 |
| TC4B1822S | TM8V060A12MP12C | 14.5 | CF/CM/CU18B | 625 | 17.9 | 14.5 | 15.75 | 13.25 |
| TC4B1822S | TM8V060A12MP12C | 14.5 | CF/CM/CU24A | 625 | 18.0 | 14.7 | 16.00 | 13.25 |
| TC4B1822S | TM8V060A12MP12C | 14.5 | CF/CM/CU24B | 625 | 18.0 | 14.6 | 16.00 | 13.25 |
| TC4B1822S | TM8V060A12MP12C | 14.5 | CF/CM/CU30A | 625 | 18.0 | 14.5 | 16.00 | 13.25 |
| TC4B1822S | TM8V060A12MP12C | 14.5 | CF/CM/CU30B | 625 | 18.0 | 14.5 | 16.00 | 13.25 |
| TC4B1822S | TM8V060A12MP12C | 14.5 | CF/CM/CU36B | 625 | 18.0 | 14.8 | 16.00 | 13.25 |
| TC4B1822S | TM8V060A12MP12C | 14.5 | CF/CM36A | 625 | 18.0 | 14.7 | 16.00 | 13.25 |
| TC4B1822S | TM8V080B12MP11C | 17.5 | CF/CM/CU18B | 625 | 17.8 | 14.4 | 15.50 | 13.25 |
| TC4B1822S | TM8V080B12MP11C | 17.5 | CF/CM/CU24B | 625 | 18.0 | 14.7 | 15.75 | 13.25 |
| TC4B1822S | TM8V080B12MP11C | 17.5 | CF/CM/CU30B | 625 | 18.0 | 14.5 | 16.00 | 13.25 |
| TC4B1822S | TM8V080B12MP11C | 17.5 | CF/CM/CU36B | 625 | 18.0 | 14.7 | 16.00 | 13.25 |
| TC4B1822S | TM8V080B12MP11C | 17.5 | CF/CM/CU36C | 675 | 18.0 | 15.0 | 16.00 | 13.25 |
| TC4B1822S | TM8V080B12MP11C | 17.5 | CF/CM24C | 625 | 18.0 | 14.7 | 16.00 | 13.25 |
| TC4B1822S | TM8V080B12MP11C | 17.5 | CF/CM30C | 675 | 18.0 | 14.9 | 16.00 | 13.25 |
| TC4B1822S | TM8V080B12MP12C | 17.5 | CF/CM/CU18B | 625 | 17.8 | 14.4 | 15.50 | 13.25 |
| TC4B1822S | TM8V080B12MP12C | 17.5 | CF/CM/CU24B | 625 | 18.0 | 14.7 | 15.75 | 13.25 |
| TC4B1822S | TM8V080B12MP12C | 17.5 | CF/CM/CU30B | 625 | 18.0 | 14.5 | 16.00 | 13.25 |
| TC4B1822S | TM8V080B12MP12C | 17.5 | CF/CM/CU36B | 625 | 18.0 | 14.7 | 16.00 | 13.25 |
| TC4B1822S | TM8V080B12MP12C | 17.5 | CF/CM/CU36C | 675 | 18.0 | 15.0 | 16.00 | 13.25 |
| TC4B1822S | TM8V080B12MP12C | 17.5 | CF/CM24C | 625 | 18.0 | 14.7 | 16.00 | 13.25 |
| TC4B1822S | TM8V080B12MP12C | 17.5 | CF/CM30C | 675 | 18.0 | 14.9 | 16.00 | 13.25 |
| TC4B1822S | TM8X060A12MP11 | 14.5 | CF/CM/CU18A | 625 | 17.9 | 14.5 | 15.50 | 13.25 |
| TC4B1822S | TM8X060A12MP11 | 14.5 | CF/CM/CU18B | 650 | 17.9 | 14.8 | 15.75 | 13.25 |
| TC4B1822S | TM8X060A12MP11 | 14.5 | CF/CM/CU24A | 625 | 18.0 | 14.7 | 15.75 | 13.25 |
| TC4B1822S | TM8X060A12MP11 | 14.5 | CF/CM/CU24B | 650 | 18.0 | 14.9 | 16.00 | 13.25 |
| TC4B1822S | TM8X060A12MP11 | 14.5 | CF/CM/CU30A | 625 | 18.0 | 14.5 | 16.00 | 13.25 |
| TC4B1822S | TM8X060A12MP11 | 14.5 | CF/CM/CU30B | 650 | 18.0 | 14.8 | 16.00 | 13.25 |
| TC4B1822S | TM8X060A12MP11 | 14.5 | CF/CM/CU36B | 650 | 18.0 | 14.6 | 16.00 | 13.25 |
| TC4B1822S | TM8X060A12MP11 | 14.5 | CF/CM36A | 625 | 18.0 | 14.7 | 16.00 | 13.25 |
| TC4B1822S | TM8X080B12MP11 | 17.5 | CF/CM/CU18B | 675 | 18.0 | 15.1 | 16.00 | 13.25 |
| TC4B1822S | TM8X080B12MP11 | 17.5 | CF/CM/CU24B | 675 | 18.0 | 15.2 | 16.00 | 13.25 |
| TC4B1822S | TM8X080B12MP11 | 17.5 | CF/CM/CU30B | 675 | 18.0 | 14.9 | 16.00 | 13.25 |
| TC4B1822S | TM8X080B12MP11 | 17.5 | CF/CM/CU36B | 675 | 18.0 | 15.0 | 16.00 | 13.25 |
| TC4B1822S | TM8X080B12MP11 | 17.5 | CF/CM24C | 675 | 18.0 | 15.2 | 16.00 | 13.25 |
| TC4B1822S | TM8X080B12MP11 | 17.5 | CF/CM30C | 675 | 18.0 | 14.9 | 16.00 | 13.25 |

COOLING CAPACITY - With High Efficiency Motor Furnaces¹ (Continued)

| UNIT MODEL | FURNACE | | COIL MODEL ² | COOLING | | | | |
|---------------|-----------------|-------|----------------------------|--------------|---------|-------|-------|-------|
| | MODEL | WIDTH | | RATED CFM | NET MBH | | SEER | EER |
| | | | | | TOTAL | SENS. | | |
| TC4B1822S | TM8Y060A12MP11 | 14.5 | CF/CM/CU18A | 625 | 17.9 | 14.5 | 15.50 | 13.25 |
| TC4B1822S | TM8Y060A12MP11 | 14.5 | CF/CM/CU18B | 650 | 17.9 | 14.8 | 15.75 | 13.25 |
| TC4B1822S | TM8Y060A12MP11 | 14.5 | CF/CM/CU24A | 625 | 18.0 | 14.7 | 15.75 | 13.25 |
| TC4B1822S | TM8Y060A12MP11 | 14.5 | CF/CM/CU24B | 650 | 18.0 | 14.9 | 16.00 | 13.25 |
| TC4B1822S | TM8Y060A12MP11 | 14.5 | CF/CM/CU30A | 625 | 18.0 | 14.5 | 16.00 | 13.25 |
| TC4B1822S | TM8Y060A12MP11 | 14.5 | CF/CM/CU30B | 650 | 18.0 | 14.8 | 16.00 | 13.25 |
| TC4B1822S | TM8Y060A12MP11 | 14.5 | CF/CM/CU36B | 650 | 18.0 | 14.6 | 16.00 | 13.25 |
| TC4B1822S | TM8Y060A12MP11 | 14.5 | CF/CM36A | 625 | 18.0 | 14.7 | 16.00 | 13.25 |
| TC4B1822S | TM8Y080B12MP11 | 17.5 | CF/CM/CU18B | 675 | 18.0 | 15.1 | 16.00 | 13.25 |
| TC4B1822S | TM8Y080B12MP11 | 17.5 | CF/CM/CU24B | 675 | 18.0 | 15.2 | 16.00 | 13.25 |
| TC4B1822S | TM8Y080B12MP11 | 17.5 | CF/CM/CU30B | 675 | 18.0 | 14.9 | 16.00 | 13.25 |
| TC4B1822S | TM8Y080B12MP11 | 17.5 | CF/CM/CU36B | 675 | 18.0 | 15.0 | 16.00 | 13.25 |
| TC4B1822S | TM8Y080B12MP11 | 17.5 | CF/CM24C | 675 | 18.0 | 15.2 | 16.00 | 13.25 |
| TC4B1822S | TM8Y080B12MP11 | 17.5 | CF/CM30C | 675 | 18.0 | 14.9 | 16.00 | 13.25 |
| TC4B1822S | TM9E040A10MP11 | 14.5 | CF/CM/CU18A | 675 | 17.8 | 14.9 | 14.50 | 12.50 |
| TC4B1822S | TM9E040A10MP11 | 14.5 | CF/CM/CU18B | 525 | 17.4 | 13.2 | 15.25 | 13.00 |
| TC4B1822S | TM9E040A10MP11 | 14.5 | CF/CM/CU24A | 675 | 17.9 | 15.1 | 14.75 | 12.50 |
| TC4B1822S | TM9E040A10MP11 | 14.5 | CF/CM/CU24B | 525 | 17.5 | 13.3 | 15.25 | 13.00 |
| TC4B1822S | TM9E040A10MP11 | 14.5 | CF/CM/CU30A | 675 | 18.0 | 14.9 | 15.00 | 12.75 |
| TC4B1822S | TM9E040A10MP11 | 14.5 | CF/CM/CU30B | 525 | 17.6 | 13.3 | 15.50 | 13.00 |
| TC4B1822S | TM9E040A10MP11 | 14.5 | CF/CM/CU36B | 525 | 17.7 | 13.4 | 15.50 | 13.00 |
| TC4B1822S | TM9E040A10MP11 | 14.5 | CF/CM36A | 675 | 18.0 | 14.9 | 15.25 | 12.75 |
| TC4B1822S | TM9E040A10MP12 | 14.5 | CF/CM/CU18A | 600 | 17.6 | 14.2 | 15.25 | 12.50 |
| TC4B1822S | TM9E040A10MP12 | 14.5 | CF/CM/CU18B | 625 | 17.6 | 14.2 | 15.25 | 12.50 |
| TC4B1822S | TM9E040A10MP12 | 14.5 | CF/CM/CU24A | 600 | 17.6 | 14.0 | 15.50 | 12.75 |
| TC4B1822S | TM9E040A10MP12 | 14.5 | CF/CM/CU24B | 625 | 17.6 | 14.4 | 15.50 | 12.75 |
| TC4B1822S | TM9E040A10MP12 | 14.5 | CF/CM/CU30A | 600 | 17.8 | 14.1 | 15.75 | 13.00 |
| TC4B1822S | TM9E040A10MP12 | 14.5 | CF/CM/CU30B | 625 | 17.8 | 14.5 | 15.75 | 13.00 |
| TC4B1822S | TM9E040A10MP12 | 14.5 | CF/CM/CU36B | 625 | 18.0 | 14.7 | 16.00 | 13.25 |
| TC4B1822S | TM9E040A10MP12 | 14.5 | CF/CM36A | 675 | 18.0 | 15.0 | 15.75 | 13.00 |
| TC4B1822S | TM9E060A10MP12 | 14.5 | CF/CM/CU18A | 675 | 17.5 | 14.7 | 15.50 | 12.75 |
| TC4B1822S | TM9E060A10MP12 | 14.5 | CF/CM/CU18B | 700 | 17.5 | 15.1 | 15.50 | 12.75 |
| TC4B1822S | TM9E060A10MP12 | 14.5 | CF/CM/CU24A | 675 | 17.5 | 14.8 | 15.75 | 13.00 |
| TC4B1822S | TM9E060A10MP12 | 14.5 | CF/CM/CU24B | 700 | 17.5 | 15.1 | 15.75 | 13.00 |
| TC4B1822S | TM9E060A10MP12 | 14.5 | CF/CM/CU30A | 675 | 17.8 | 14.7 | 16.00 | 13.25 |
| TC4B1822S | TM9E060A10MP12 | 14.5 | CF/CM/CU30B | 700 | 18.0 | 15.2 | 16.00 | 13.25 |
| TC4B1822S | TM9E060A10MP12 | 14.5 | CF/CM/CU36B | 700 | 18.0 | 15.0 | 16.00 | 13.25 |
| TC4B1822S | TM9E060A10MP12 | 14.5 | CF/CM36A | 675 | 18.0 | 15.0 | 16.00 | 13.25 |
| TC4B1822S | TM9E060B12MP11 | 17.5 | CF/CM/CU18B | 675 | 18.0 | 15.1 | 15.50 | 13.25 |
| TC4B1822S | TM9E060B12MP11 | 17.5 | CF/CM/CU24B | 675 | 18.0 | 15.2 | 15.75 | 13.25 |
| TC4B1822S | TM9E060B12MP11 | 17.5 | CF/CM/CU30B | 675 | 18.0 | 14.9 | 16.00 | 13.25 |
| TC4B1822S | TM9E060B12MP11 | 17.5 | CF/CM/CU36B | 675 | 18.0 | 15.0 | 16.00 | 13.25 |
| TC4B1822S | TM9E060B12MP11 | 17.5 | CF/CM24C | 675 | 18.0 | 15.2 | 16.00 | 13.25 |
| TC4B1822S | TM9E060B12MP11 | 17.5 | CF/CM30C | 675 | 18.0 | 14.9 | 16.00 | 13.25 |
| TC4B1822S | TM9E080C16MP11 | 21.0 | CF/CM/CU36C | 600 | 18.0 | 14.2 | 16.00 | 13.25 |
| TC4B1822S | TM9E080C16MP11 | 21.0 | CF/CM24C | 600 | 18.0 | 14.4 | 16.00 | 13.25 |
| TC4B1822S | TM9E080C16MP11 | 21.0 | CF/CM30C | 600 | 18.0 | 14.3 | 16.00 | 13.25 |
| TC4B1822S | TM9E080C16MP11 | 21.0 | CF/CM36D | 600 | 18.0 | 14.2 | 16.00 | 13.25 |
| TC4B1822S | TM9E100C16MP11 | 21.0 | CF/CM/CU36C | 650 | 18.0 | 14.6 | 16.00 | 13.25 |
| TC4B1822S | TM9E100C16MP11 | 21.0 | CF/CM24C | 625 | 18.0 | 14.6 | 16.00 | 13.25 |
| TC4B1822S | TM9E100C16MP11 | 21.0 | CF/CM30C | 625 | 18.0 | 14.6 | 16.00 | 13.25 |
| TC4B1822S | TM9E100C16MP11 | 21.0 | CF/CM36D | 650 | 18.0 | 14.6 | 16.00 | 13.25 |
| TC4B1822S | TM9V040A10MP12C | 14.5 | CF/CM/CU18A | 525 | 17.4 | 13.2 | 15.25 | 12.75 |

COOLING CAPACITY - With High Efficiency Motor Furnaces¹ (Continued)

| UNIT MODEL | FURNACE | | COIL MODEL ² | COOLING | | | | |
|---------------|-----------------|-------|----------------------------|--------------|---------|-------|-------|-------|
| | MODEL | WIDTH | | RATED CFM | NET MBH | | SEER | EER |
| | | | | | TOTAL | SENS. | | |
| TC4B1822S | TM9V040A10MP12C | 14.5 | CF/CM/CU18B | 525 | 17.4 | 13.2 | 15.25 | 13.00 |
| TC4B1822S | TM9V040A10MP12C | 14.5 | CF/CM/CU24A | 525 | 17.5 | 13.3 | 15.25 | 13.00 |
| TC4B1822S | TM9V040A10MP12C | 14.5 | CF/CM/CU24B | 625 | 17.9 | 14.6 | 15.50 | 13.00 |
| TC4B1822S | TM9V040A10MP12C | 14.5 | CF/CM/CU30A | 525 | 17.6 | 13.3 | 15.50 | 13.00 |
| TC4B1822S | TM9V040A10MP12C | 14.5 | CF/CM/CU30B | 625 | 18.0 | 14.6 | 15.75 | 13.25 |
| TC4B1822S | TM9V040A10MP12C | 14.5 | CF/CM/CU36B | 625 | 18.0 | 14.8 | 15.75 | 13.25 |
| TC4B1822S | TM9V040A10MP12C | 14.5 | CF/CM36A | 625 | 18.0 | 14.8 | 15.50 | 13.00 |
| TC4B1822S | TM9V060B12MP12C | 17.5 | CF/CM/CU18B | 600 | 17.7 | 14.3 | 15.75 | 13.00 |
| TC4B1822S | TM9V060B12MP12C | 17.5 | CF/CM/CU24B | 600 | 17.9 | 14.3 | 15.75 | 13.25 |
| TC4B1822S | TM9V060B12MP12C | 17.5 | CF/CM/CU30B | 600 | 18.0 | 14.3 | 16.00 | 13.25 |
| TC4B1822S | TM9V060B12MP12C | 17.5 | CF/CM/CU36B | 600 | 18.0 | 14.1 | 16.00 | 13.25 |
| TC4B1822S | TM9V060B12MP12C | 17.5 | CF/CM/CU36C | 600 | 18.0 | 14.2 | 16.00 | 13.25 |
| TC4B1822S | TM9V060B12MP12C | 17.5 | CF/CM24C | 600 | 17.9 | 14.3 | 16.00 | 13.25 |
| TC4B1822S | TM9V060B12MP12C | 17.5 | CF/CM30C | 600 | 18.0 | 14.3 | 16.00 | 13.25 |
| TC4B1822S | TM9V080B12MP11C | 17.5 | CF/CM/CU18B | 625 | 17.9 | 14.5 | 15.75 | 13.25 |
| TC4B1822S | TM9V080B12MP11C | 17.5 | CF/CM/CU24B | 675 | 18.0 | 15.2 | 16.00 | 13.25 |
| TC4B1822S | TM9V080B12MP11C | 17.5 | CF/CM/CU30B | 675 | 18.0 | 14.9 | 16.00 | 13.25 |
| TC4B1822S | TM9V080B12MP11C | 17.5 | CF/CM/CU36B | 675 | 18.0 | 15.0 | 16.00 | 13.25 |
| TC4B1822S | TM9V080B12MP11C | 17.5 | CF/CM/CU36C | 675 | 18.0 | 15.0 | 16.00 | 13.25 |
| TC4B1822S | TM9V080B12MP11C | 17.5 | CF/CM24C | 675 | 18.0 | 15.2 | 16.00 | 13.25 |
| TC4B1822S | TM9V080B12MP11C | 17.5 | CF/CM30C | 675 | 18.0 | 14.9 | 16.00 | 13.25 |
| TC4B1822S | TM9V080B12MP12C | 17.5 | CF/CM/CU18B | 625 | 17.9 | 14.5 | 15.75 | 13.25 |
| TC4B1822S | TM9V080B12MP12C | 17.5 | CF/CM/CU24B | 675 | 18.0 | 15.2 | 16.00 | 13.25 |
| TC4B1822S | TM9V080B12MP12C | 17.5 | CF/CM/CU30B | 675 | 18.0 | 14.9 | 16.00 | 13.25 |
| TC4B1822S | TM9V080B12MP12C | 17.5 | CF/CM/CU36B | 675 | 18.0 | 15.0 | 16.00 | 13.25 |
| TC4B1822S | TM9V080B12MP12C | 17.5 | CF/CM/CU36C | 675 | 18.0 | 15.0 | 16.00 | 13.25 |
| TC4B1822S | TM9V080B12MP12C | 17.5 | CF/CM24C | 675 | 18.0 | 15.2 | 16.00 | 13.25 |
| TC4B1822S | TM9V080B12MP12C | 17.5 | CF/CM30C | 675 | 18.0 | 14.9 | 16.00 | 13.25 |
| TC4B1822S | TM9Y040A10MP11 | 14.5 | CF/CM/CU18A | 675 | 17.8 | 14.9 | 14.50 | 12.50 |
| TC4B1822S | TM9Y040A10MP11 | 14.5 | CF/CM/CU18B | 525 | 17.4 | 13.2 | 15.25 | 13.00 |
| TC4B1822S | TM9Y040A10MP11 | 14.5 | CF/CM/CU24A | 675 | 17.9 | 15.1 | 14.75 | 12.50 |
| TC4B1822S | TM9Y040A10MP11 | 14.5 | CF/CM/CU24B | 525 | 17.5 | 13.3 | 15.25 | 13.00 |
| TC4B1822S | TM9Y040A10MP11 | 14.5 | CF/CM/CU30A | 675 | 18.0 | 14.9 | 15.00 | 12.75 |
| TC4B1822S | TM9Y040A10MP11 | 14.5 | CF/CM/CU30B | 525 | 17.6 | 13.3 | 15.50 | 13.00 |
| TC4B1822S | TM9Y040A10MP11 | 14.5 | CF/CM/CU36B | 525 | 17.7 | 13.4 | 15.50 | 13.00 |
| TC4B1822S | TM9Y040A10MP11 | 14.5 | CF/CM36A | 675 | 18.0 | 14.9 | 15.25 | 12.75 |
| TC4B1822S | TM9Y060B12MP11 | 17.5 | CF/CM/CU18B | 675 | 18.0 | 15.1 | 15.50 | 13.25 |
| TC4B1822S | TM9Y060B12MP11 | 17.5 | CF/CM/CU24B | 675 | 18.0 | 15.2 | 15.75 | 13.25 |
| TC4B1822S | TM9Y060B12MP11 | 17.5 | CF/CM/CU30B | 675 | 18.0 | 14.9 | 16.00 | 13.25 |
| TC4B1822S | TM9Y060B12MP11 | 17.5 | CF/CM/CU36B | 675 | 18.0 | 15.0 | 16.00 | 13.25 |
| TC4B1822S | TM9Y060B12MP11 | 17.5 | CF/CM24C | 675 | 18.0 | 15.2 | 16.00 | 13.25 |
| TC4B1822S | TM9Y060B12MP11 | 17.5 | CF/CM30C | 675 | 18.0 | 14.9 | 16.00 | 13.25 |
| TC4B1822S | TM9Y080C16MP11 | 21.0 | CF/CM/CU36C | 600 | 18.0 | 14.2 | 16.00 | 13.25 |
| TC4B1822S | TM9Y080C16MP11 | 21.0 | CF/CM24C | 600 | 18.0 | 14.4 | 16.00 | 13.25 |
| TC4B1822S | TM9Y080C16MP11 | 21.0 | CF/CM30C | 600 | 18.0 | 14.3 | 16.00 | 13.25 |
| TC4B1822S | TM9Y080C16MP11 | 21.0 | CF/CM36D | 600 | 18.0 | 14.2 | 16.00 | 13.25 |
| TC4B1822S | TM9Y100C16MP11 | 21.0 | CF/CM/CU36C | 650 | 18.0 | 14.6 | 16.00 | 13.25 |
| TC4B1822S | TM9Y100C16MP11 | 21.0 | CF/CM24C | 625 | 18.0 | 14.6 | 16.00 | 13.25 |
| TC4B1822S | TM9Y100C16MP11 | 21.0 | CF/CM30C | 625 | 18.0 | 14.6 | 16.00 | 13.25 |
| TC4B1822S | TM9Y100C16MP11 | 21.0 | CF/CM36D | 650 | 18.0 | 14.6 | 16.00 | 13.25 |
| TC4B1822S | TMLV060A12MP11C | 14.5 | CF/CM/CU18A | 625 | 17.9 | 14.5 | 15.75 | 13.25 |
| TC4B1822S | TMLV060A12MP11C | 14.5 | CF/CM/CU18B | 625 | 17.9 | 14.5 | 15.75 | 13.25 |
| TC4B1822S | TMLV060A12MP11C | 14.5 | CF/CM/CU24A | 625 | 18.0 | 14.7 | 16.00 | 13.25 |
| TC4B1822S | TMLV060A12MP11C | 14.5 | CF/CM/CU24B | 625 | 18.0 | 14.6 | 16.00 | 13.25 |

COOLING CAPACITY - With High Efficiency Motor Furnaces¹ (Continued)

| UNIT MODEL | FURNACE | | COIL MODEL ² | COOLING | | | | |
|---------------|-----------------|-------|----------------------------|--------------|---------|-------|-------|-------|
| | MODEL | WIDTH | | RATED CFM | NET MBH | | SEER | EER |
| | | | | | TOTAL | SENS. | | |
| TC4B1822S | TMLV060A12MP11C | 14.5 | CF/CM/CU30A | 625 | 18.0 | 14.5 | 16.00 | 13.25 |
| TC4B1822S | TMLV060A12MP11C | 14.5 | CF/CM/CU30B | 625 | 18.0 | 14.5 | 16.00 | 13.25 |
| TC4B1822S | TMLV060A12MP11C | 14.5 | CF/CM/CU36B | 625 | 18.0 | 14.8 | 16.00 | 13.25 |
| TC4B1822S | TMLV060A12MP11C | 14.5 | CF/CM36A | 625 | 18.0 | 14.7 | 16.00 | 13.25 |
| TC4B1822S | TMLV060A12MP12C | 14.5 | CF/CM/CU18A | 625 | 17.9 | 14.5 | 15.75 | 13.25 |
| TC4B1822S | TMLV060A12MP12C | 14.5 | CF/CM/CU18B | 625 | 17.9 | 14.5 | 15.75 | 13.25 |
| TC4B1822S | TMLV060A12MP12C | 14.5 | CF/CM/CU24A | 625 | 18.0 | 14.7 | 16.00 | 13.25 |
| TC4B1822S | TMLV060A12MP12C | 14.5 | CF/CM/CU24B | 625 | 18.0 | 14.6 | 16.00 | 13.25 |
| TC4B1822S | TMLV060A12MP12C | 14.5 | CF/CM/CU30A | 625 | 18.0 | 14.5 | 16.00 | 13.25 |
| TC4B1822S | TMLV060A12MP12C | 14.5 | CF/CM/CU30B | 625 | 18.0 | 14.5 | 16.00 | 13.25 |
| TC4B1822S | TMLV060A12MP12C | 14.5 | CF/CM/CU36B | 625 | 18.0 | 14.8 | 16.00 | 13.25 |
| TC4B1822S | TMLV060A12MP12C | 14.5 | CF/CM36A | 625 | 18.0 | 14.7 | 16.00 | 13.25 |
| TC4B1822S | TMLV080B12MP11C | 17.5 | CF/CM/CU18B | 625 | 17.8 | 14.4 | 15.50 | 13.25 |
| TC4B1822S | TMLV080B12MP11C | 17.5 | CF/CM/CU24B | 625 | 18.0 | 14.7 | 15.75 | 13.25 |
| TC4B1822S | TMLV080B12MP11C | 17.5 | CF/CM/CU30B | 625 | 18.0 | 14.5 | 16.00 | 13.25 |
| TC4B1822S | TMLV080B12MP11C | 17.5 | CF/CM/CU36B | 625 | 18.0 | 14.7 | 16.00 | 13.25 |
| TC4B1822S | TMLV080B12MP11C | 17.5 | CF/CM/CU36C | 675 | 18.0 | 15.0 | 16.00 | 13.25 |
| TC4B1822S | TMLV080B12MP11C | 17.5 | CF/CM24C | 625 | 18.0 | 14.7 | 16.00 | 13.25 |
| TC4B1822S | TMLV080B12MP11C | 17.5 | CF/CM30C | 675 | 18.0 | 14.9 | 16.00 | 13.25 |
| TC4B1822S | TMLV080B12MP12C | 17.5 | CF/CM/CU18B | 625 | 17.8 | 14.4 | 15.50 | 13.25 |
| TC4B1822S | TMLV080B12MP12C | 17.5 | CF/CM/CU24B | 625 | 18.0 | 14.7 | 15.75 | 13.25 |
| TC4B1822S | TMLV080B12MP12C | 17.5 | CF/CM/CU30B | 625 | 18.0 | 14.5 | 16.00 | 13.25 |
| TC4B1822S | TMLV080B12MP12C | 17.5 | CF/CM/CU36B | 625 | 18.0 | 14.7 | 16.00 | 13.25 |
| TC4B1822S | TMLV080B12MP12C | 17.5 | CF/CM/CU36C | 675 | 18.0 | 15.0 | 16.00 | 13.25 |
| TC4B1822S | TMLV080B12MP12C | 17.5 | CF/CM24C | 625 | 18.0 | 14.7 | 16.00 | 13.25 |
| TC4B1822S | TMLV080B12MP12C | 17.5 | CF/CM30C | 675 | 18.0 | 14.9 | 16.00 | 13.25 |
| TC4B1822S | TMLX060A12MP11 | 14.5 | CF/CM/CU18A | 625 | 17.9 | 14.5 | 15.50 | 13.25 |
| TC4B1822S | TMLX060A12MP11 | 14.5 | CF/CM/CU18B | 650 | 17.9 | 14.8 | 15.75 | 13.25 |
| TC4B1822S | TMLX060A12MP11 | 14.5 | CF/CM/CU24A | 625 | 18.0 | 14.7 | 15.75 | 13.25 |
| TC4B1822S | TMLX060A12MP11 | 14.5 | CF/CM/CU24B | 650 | 18.0 | 14.9 | 16.00 | 13.25 |
| TC4B1822S | TMLX060A12MP11 | 14.5 | CF/CM/CU30A | 625 | 18.0 | 14.5 | 16.00 | 13.25 |
| TC4B1822S | TMLX060A12MP11 | 14.5 | CF/CM/CU30B | 650 | 18.0 | 14.8 | 16.00 | 13.25 |
| TC4B1822S | TMLX060A12MP11 | 14.5 | CF/CM/CU36B | 650 | 18.0 | 14.6 | 16.00 | 13.25 |
| TC4B1822S | TMLX060A12MP11 | 14.5 | CF/CM36A | 625 | 18.0 | 14.7 | 16.00 | 13.25 |
| TC4B1822S | TMLX080B12MP11 | 17.5 | CF/CM/CU18B | 675 | 18.0 | 15.1 | 16.00 | 13.25 |
| TC4B1822S | TMLX080B12MP11 | 17.5 | CF/CM/CU24B | 675 | 18.0 | 15.2 | 16.00 | 13.25 |
| TC4B1822S | TMLX080B12MP11 | 17.5 | CF/CM/CU30B | 675 | 18.0 | 14.9 | 16.00 | 13.25 |
| TC4B1822S | TMLX080B12MP11 | 17.5 | CF/CM/CU36B | 675 | 18.0 | 15.0 | 16.00 | 13.25 |
| TC4B1822S | TMLX080B12MP11 | 17.5 | CF/CM24C | 675 | 18.0 | 15.2 | 16.00 | 13.25 |
| TC4B1822S | TMLX080B12MP11 | 17.5 | CF/CM30C | 675 | 18.0 | 14.9 | 16.00 | 13.25 |
| TC4B1822S | TP9C060B12MP13C | 17.5 | CF/CM/CU18B | 600 | 17.7 | 14.3 | 15.75 | 13.00 |
| TC4B1822S | TP9C060B12MP13C | 17.5 | CF/CM/CU24B | 600 | 17.9 | 14.3 | 15.75 | 13.25 |
| TC4B1822S | TP9C060B12MP13C | 17.5 | CF/CM/CU30B | 600 | 18.0 | 14.3 | 16.00 | 13.25 |
| TC4B1822S | TP9C060B12MP13C | 17.5 | CF/CM/CU36B | 600 | 18.0 | 14.1 | 16.00 | 13.25 |
| TC4B1822S | TP9C060B12MP13C | 17.5 | CF/CM/CU36C | 600 | 18.0 | 14.2 | 16.00 | 13.25 |
| TC4B1822S | TP9C060B12MP13C | 17.5 | CF/CM24C | 600 | 17.9 | 14.3 | 16.00 | 13.25 |
| TC4B1822S | TP9C060B12MP13C | 17.5 | CF/CM30C | 600 | 18.0 | 14.3 | 16.00 | 13.25 |
| TC4B1822S | TP9C080B12MP12C | 17.5 | CF/CM/CU18B | 625 | 17.9 | 14.5 | 15.75 | 13.25 |
| TC4B1822S | TP9C080B12MP12C | 17.5 | CF/CM/CU24B | 675 | 18.0 | 15.2 | 16.00 | 13.25 |
| TC4B1822S | TP9C080B12MP12C | 17.5 | CF/CM/CU30B | 675 | 18.0 | 14.9 | 16.00 | 13.25 |
| TC4B1822S | TP9C080B12MP12C | 17.5 | CF/CM/CU36B | 675 | 18.0 | 15.0 | 16.00 | 13.25 |
| TC4B1822S | TP9C080B12MP12C | 17.5 | CF/CM/CU36C | 675 | 18.0 | 15.0 | 16.00 | 13.25 |
| TC4B1822S | TP9C080B12MP12C | 17.5 | CF/CM24C | 675 | 18.0 | 15.2 | 16.00 | 13.25 |

COOLING CAPACITY - With High Efficiency Motor Furnaces¹ (Continued)

| UNIT MODEL | FURNACE | | COIL MODEL ² | COOLING | | | | |
|---------------|-----------------|-------|----------------------------|--------------|---------|-------|-------|-------|
| | MODEL | WIDTH | | RATED CFM | NET MBH | | SEER | EER |
| | | | | | TOTAL | SENS. | | |
| TC4B1822S | TP9C080B12MP12C | 17.5 | CF/CM30C | 675 | 18.0 | 14.9 | 16.00 | 13.25 |
| TC4B1822S | TP9C080B12MP13C | 17.5 | CF/CM/CU18B | 625 | 17.9 | 14.5 | 15.75 | 13.25 |
| TC4B1822S | TP9C080B12MP13C | 17.5 | CF/CM/CU24B | 675 | 18.0 | 15.2 | 16.00 | 13.25 |
| TC4B1822S | TP9C080B12MP13C | 17.5 | CF/CM/CU30B | 675 | 18.0 | 14.9 | 16.00 | 13.25 |
| TC4B1822S | TP9C080B12MP13C | 17.5 | CF/CM/CU36B | 675 | 18.0 | 15.0 | 16.00 | 13.25 |
| TC4B1822S | TP9C080B12MP13C | 17.5 | CF/CM/CU36C | 675 | 18.0 | 15.0 | 16.00 | 13.25 |
| TC4B1822S | TP9C080B12MP13C | 17.5 | CF/CM24C | 675 | 18.0 | 15.2 | 16.00 | 13.25 |
| TC4B1822S | TP9C080B12MP13C | 17.5 | CF/CM30C | 675 | 18.0 | 14.9 | 16.00 | 13.25 |
| TC4B1822S | TPLC060A12MP12C | 14.5 | CF/CM/CU18A | 625 | 17.9 | 14.5 | 15.75 | 13.25 |
| TC4B1822S | TPLC060A12MP12C | 14.5 | CF/CM/CU18B | 625 | 17.9 | 14.5 | 15.75 | 13.25 |
| TC4B1822S | TPLC060A12MP12C | 14.5 | CF/CM/CU24A | 625 | 18.0 | 14.7 | 16.00 | 13.25 |
| TC4B1822S | TPLC060A12MP12C | 14.5 | CF/CM/CU24B | 625 | 18.0 | 14.6 | 16.00 | 13.25 |
| TC4B1822S | TPLC060A12MP12C | 14.5 | CF/CM/CU30A | 625 | 18.0 | 14.5 | 16.00 | 13.25 |
| TC4B1822S | TPLC060A12MP12C | 14.5 | CF/CM/CU30B | 625 | 18.0 | 14.5 | 16.00 | 13.25 |
| TC4B1822S | TPLC060A12MP12C | 14.5 | CF/CM/CU36B | 625 | 18.0 | 14.8 | 16.00 | 13.25 |
| TC4B1822S | TPLC060A12MP12C | 14.5 | CF/CM36A | 625 | 18.0 | 14.7 | 16.00 | 13.25 |
| TC4B1822S | TPLC060A12MP13C | 14.5 | CF/CM/CU18A | 625 | 17.9 | 14.5 | 15.75 | 13.25 |
| TC4B1822S | TPLC060A12MP13C | 14.5 | CF/CM/CU18B | 625 | 17.9 | 14.5 | 15.75 | 13.25 |
| TC4B1822S | TPLC060A12MP13C | 14.5 | CF/CM/CU24A | 625 | 18.0 | 14.7 | 16.00 | 13.25 |
| TC4B1822S | TPLC060A12MP13C | 14.5 | CF/CM/CU24B | 625 | 18.0 | 14.6 | 16.00 | 13.25 |
| TC4B1822S | TPLC060A12MP13C | 14.5 | CF/CM/CU30A | 625 | 18.0 | 14.5 | 16.00 | 13.25 |
| TC4B1822S | TPLC060A12MP13C | 14.5 | CF/CM/CU30B | 625 | 18.0 | 14.5 | 16.00 | 13.25 |
| TC4B1822S | TPLC060A12MP13C | 14.5 | CF/CM/CU36B | 625 | 18.0 | 14.8 | 16.00 | 13.25 |
| TC4B1822S | TPLC060A12MP13C | 14.5 | CF/CM36A | 625 | 18.0 | 14.7 | 16.00 | 13.25 |
| TC4B1822S | TPLC080B12MP12C | 17.5 | CF/CM/CU18B | 625 | 17.8 | 14.4 | 15.50 | 13.25 |
| TC4B1822S | TPLC080B12MP12C | 17.5 | CF/CM/CU24B | 625 | 18.0 | 14.7 | 15.75 | 13.25 |
| TC4B1822S | TPLC080B12MP12C | 17.5 | CF/CM/CU30B | 625 | 18.0 | 14.5 | 16.00 | 13.25 |
| TC4B1822S | TPLC080B12MP12C | 17.5 | CF/CM/CU36B | 625 | 18.0 | 14.7 | 16.00 | 13.25 |
| TC4B1822S | TPLC080B12MP12C | 17.5 | CF/CM/CU36C | 675 | 18.0 | 15.0 | 16.00 | 13.25 |
| TC4B1822S | TPLC080B12MP12C | 17.5 | CF/CM24C | 625 | 18.0 | 14.7 | 16.00 | 13.25 |
| TC4B1822S | TPLC080B12MP12C | 17.5 | CF/CM30C | 675 | 18.0 | 14.9 | 16.00 | 13.25 |
| TC4B1822S | TPLC080B12MP13C | 17.5 | CF/CM/CU18B | 625 | 17.8 | 14.4 | 15.50 | 13.25 |
| TC4B1822S | TPLC080B12MP13C | 17.5 | CF/CM/CU24B | 625 | 18.0 | 14.7 | 15.75 | 13.25 |
| TC4B1822S | TPLC080B12MP13C | 17.5 | CF/CM/CU30B | 625 | 18.0 | 14.5 | 16.00 | 13.25 |
| TC4B1822S | TPLC080B12MP13C | 17.5 | CF/CM/CU36B | 625 | 18.0 | 14.7 | 16.00 | 13.25 |
| TC4B1822S | TPLC080B12MP13C | 17.5 | CF/CM/CU36C | 675 | 18.0 | 15.0 | 16.00 | 13.25 |
| TC4B1822S | TPLC080B12MP13C | 17.5 | CF/CM24C | 625 | 18.0 | 14.7 | 16.00 | 13.25 |
| TC4B1822S | TPLC080B12MP13C | 17.5 | CF/CM30C | 675 | 18.0 | 14.9 | 16.00 | 13.25 |
| TC4B1822S | YP9C060B12MP13C | 17.5 | CF/CM/CU18B | 600 | 17.7 | 14.3 | 15.75 | 13.00 |
| TC4B1822S | YP9C060B12MP13C | 17.5 | CF/CM/CU24B | 600 | 17.9 | 14.3 | 15.75 | 13.25 |
| TC4B1822S | YP9C060B12MP13C | 17.5 | CF/CM/CU30B | 600 | 18.0 | 14.3 | 16.00 | 13.25 |
| TC4B1822S | YP9C060B12MP13C | 17.5 | CF/CM/CU36B | 600 | 18.0 | 14.1 | 16.00 | 13.25 |
| TC4B1822S | YP9C060B12MP13C | 17.5 | CF/CM/CU36C | 600 | 18.0 | 14.2 | 16.00 | 13.25 |
| TC4B1822S | YP9C060B12MP13C | 17.5 | CF/CM24C | 600 | 17.9 | 14.3 | 16.00 | 13.25 |
| TC4B1822S | YP9C060B12MP13C | 17.5 | CF/CM30C | 600 | 18.0 | 14.3 | 16.00 | 13.25 |
| TC4B1822S | YP9C080B12MP12C | 17.5 | CF/CM/CU18B | 625 | 17.9 | 14.5 | 15.75 | 13.25 |
| TC4B1822S | YP9C080B12MP12C | 17.5 | CF/CM/CU24B | 675 | 18.0 | 15.2 | 16.00 | 13.25 |
| TC4B1822S | YP9C080B12MP12C | 17.5 | CF/CM/CU30B | 675 | 18.0 | 14.9 | 16.00 | 13.25 |
| TC4B1822S | YP9C080B12MP12C | 17.5 | CF/CM/CU36B | 675 | 18.0 | 15.0 | 16.00 | 13.25 |
| TC4B1822S | YP9C080B12MP12C | 17.5 | CF/CM/CU36C | 675 | 18.0 | 15.0 | 16.00 | 13.25 |
| TC4B1822S | YP9C080B12MP12C | 17.5 | CF/CM24C | 675 | 18.0 | 15.2 | 16.00 | 13.25 |
| TC4B1822S | YP9C080B12MP12C | 17.5 | CF/CM30C | 675 | 18.0 | 14.9 | 16.00 | 13.25 |
| TC4B1822S | YP9C080B12MP13C | 17.5 | CF/CM/CU18B | 625 | 17.9 | 14.5 | 15.75 | 13.25 |
| TC4B1822S | YP9C080B12MP13C | 17.5 | CF/CM/CU24B | 675 | 18.0 | 15.2 | 16.00 | 13.25 |

COOLING CAPACITY - With High Efficiency Motor Furnaces¹ (Continued)

| UNIT MODEL | FURNACE | | COIL MODEL ² | COOLING | | | | |
|---------------|-----------------|-------|----------------------------|--------------|---------|-------|-------|-------|
| | MODEL | WIDTH | | RATED CFM | NET MBH | | SEER | EER |
| | | | | | TOTAL | SENS. | | |
| TC4B1822S | YP9C080B12MP13C | 17.5 | CF/CM/CU30B | 675 | 18.0 | 14.9 | 16.00 | 13.25 |
| TC4B1822S | YP9C080B12MP13C | 17.5 | CF/CM/CU36B | 675 | 18.0 | 15.0 | 16.00 | 13.25 |
| TC4B1822S | YP9C080B12MP13C | 17.5 | CF/CM/CU36C | 675 | 18.0 | 15.0 | 16.00 | 13.25 |
| TC4B1822S | YP9C080B12MP13C | 17.5 | CF/CM24C | 675 | 18.0 | 15.2 | 16.00 | 13.25 |
| TC4B1822S | YP9C080B12MP13C | 17.5 | CF/CM30C | 675 | 18.0 | 14.9 | 16.00 | 13.25 |
| TC4B1822S | YPLC060A12MP12C | 14.5 | CF/CM/CU18A | 625 | 17.9 | 14.5 | 15.75 | 13.25 |
| TC4B1822S | YPLC060A12MP12C | 14.5 | CF/CM/CU18B | 625 | 17.9 | 14.5 | 15.75 | 13.25 |
| TC4B1822S | YPLC060A12MP12C | 14.5 | CF/CM/CU24A | 625 | 18.0 | 14.7 | 16.00 | 13.25 |
| TC4B1822S | YPLC060A12MP12C | 14.5 | CF/CM/CU24B | 625 | 18.0 | 14.6 | 16.00 | 13.25 |
| TC4B1822S | YPLC060A12MP12C | 14.5 | CF/CM/CU30A | 625 | 18.0 | 14.5 | 16.00 | 13.25 |
| TC4B1822S | YPLC060A12MP12C | 14.5 | CF/CM/CU30B | 625 | 18.0 | 14.5 | 16.00 | 13.25 |
| TC4B1822S | YPLC060A12MP12C | 14.5 | CF/CM/CU36B | 625 | 18.0 | 14.8 | 16.00 | 13.25 |
| TC4B1822S | YPLC060A12MP12C | 14.5 | CF/CM36A | 625 | 18.0 | 14.7 | 16.00 | 13.25 |
| TC4B1822S | YPLC060A12MP13C | 14.5 | CF/CM/CU18A | 625 | 17.9 | 14.5 | 15.75 | 13.25 |
| TC4B1822S | YPLC060A12MP13C | 14.5 | CF/CM/CU18B | 625 | 17.9 | 14.5 | 15.75 | 13.25 |
| TC4B1822S | YPLC060A12MP13C | 14.5 | CF/CM/CU24A | 625 | 18.0 | 14.7 | 16.00 | 13.25 |
| TC4B1822S | YPLC060A12MP13C | 14.5 | CF/CM/CU24B | 625 | 18.0 | 14.6 | 16.00 | 13.25 |
| TC4B1822S | YPLC060A12MP13C | 14.5 | CF/CM/CU30A | 625 | 18.0 | 14.5 | 16.00 | 13.25 |
| TC4B1822S | YPLC060A12MP13C | 14.5 | CF/CM/CU30B | 625 | 18.0 | 14.5 | 16.00 | 13.25 |
| TC4B1822S | YPLC060A12MP13C | 14.5 | CF/CM/CU36B | 625 | 18.0 | 14.8 | 16.00 | 13.25 |
| TC4B1822S | YPLC060A12MP13C | 14.5 | CF/CM36A | 625 | 18.0 | 14.7 | 16.00 | 13.25 |
| TC4B1822S | YPLC080B12MP12C | 17.5 | CF/CM/CU18B | 625 | 17.8 | 14.4 | 15.50 | 13.25 |
| TC4B1822S | YPLC080B12MP12C | 17.5 | CF/CM/CU24B | 625 | 18.0 | 14.7 | 15.75 | 13.25 |
| TC4B1822S | YPLC080B12MP12C | 17.5 | CF/CM/CU30B | 625 | 18.0 | 14.5 | 16.00 | 13.25 |
| TC4B1822S | YPLC080B12MP12C | 17.5 | CF/CM/CU36B | 625 | 18.0 | 14.7 | 16.00 | 13.25 |
| TC4B1822S | YPLC080B12MP12C | 17.5 | CF/CM/CU36C | 675 | 18.0 | 15.0 | 16.00 | 13.25 |
| TC4B1822S | YPLC080B12MP12C | 17.5 | CF/CM24C | 625 | 18.0 | 14.7 | 16.00 | 13.25 |
| TC4B1822S | YPLC080B12MP12C | 17.5 | CF/CM30C | 675 | 18.0 | 14.9 | 16.00 | 13.25 |
| TC4B1822S | YPLC080B12MP13C | 17.5 | CF/CM/CU18B | 625 | 17.8 | 14.4 | 15.50 | 13.25 |
| TC4B1822S | YPLC080B12MP13C | 17.5 | CF/CM/CU24B | 625 | 18.0 | 14.7 | 15.75 | 13.25 |
| TC4B1822S | YPLC080B12MP13C | 17.5 | CF/CM/CU30B | 625 | 18.0 | 14.5 | 16.00 | 13.25 |
| TC4B1822S | YPLC080B12MP13C | 17.5 | CF/CM/CU36B | 625 | 18.0 | 14.7 | 16.00 | 13.25 |
| TC4B1822S | YPLC080B12MP13C | 17.5 | CF/CM/CU36C | 675 | 18.0 | 15.0 | 16.00 | 13.25 |
| TC4B1822S | YPLC080B12MP13C | 17.5 | CF/CM24C | 625 | 18.0 | 14.7 | 16.00 | 13.25 |
| TC4B1822S | YPLC080B12MP13C | 17.5 | CF/CM30C | 675 | 18.0 | 14.9 | 16.00 | 13.25 |
| TC4B2422S | TL8E060A12UH11 | 14.5 | CF/CM/CU24A | 650 | 24.0 | 17.3 | 15.75 | 13.00 |
| TC4B2422S | TL8E060A12UH11 | 14.5 | CF/CM/CU24B | 700 | 24.0 | 17.8 | 15.75 | 13.00 |
| TC4B2422S | TL8E060A12UH11 | 14.5 | CF/CM/CU30A | 650 | 24.0 | 17.2 | 16.00 | 13.00 |
| TC4B2422S | TL8E060A12UH11 | 14.5 | CF/CM/CU30B | 700 | 24.0 | 17.7 | 16.00 | 13.00 |
| TC4B2422S | TL8E060A12UH11 | 14.5 | CF/CM/CU36B | 650 | 24.0 | 17.4 | 16.00 | 13.00 |
| TC4B2422S | TL8E060A12UH11 | 14.5 | CF/CM36A | 650 | 24.0 | 17.3 | 16.00 | 13.00 |
| TC4B2422S | TL8E060A12UH11 | 14.5 | CF42B | 875 | 24.0 | 19.2 | 16.00 | 13.00 |
| TC4B2422S | TL8E080C16UH11 | 21.0 | CF/CM24C | 950 | 24.0 | 19.1 | 15.50 | 12.75 |
| TC4B2422S | TL8E080C16UH11 | 21.0 | CF/CM30C | 950 | 24.0 | 19.8 | 16.00 | 13.00 |
| TC4B2422S | TL9E060B12UH11 | 17.5 | CF/CM/CU24B | 650 | 24.0 | 17.3 | 15.75 | 13.00 |
| TC4B2422S | TL9E060B12UH11 | 17.5 | CF/CM/CU30B | 675 | 24.0 | 17.6 | 16.00 | 13.00 |
| TC4B2422S | TL9E060B12UH11 | 17.5 | CF/CM/CU36B | 650 | 24.0 | 17.3 | 16.00 | 13.00 |
| TC4B2422S | TL9E060B12UH11 | 17.5 | CF/CM/CU36C | 650 | 24.0 | 17.3 | 16.00 | 13.00 |
| TC4B2422S | TL9E060B12UH11 | 17.5 | CF/CM/CU42C | 700 | 24.0 | 17.6 | 16.00 | 13.00 |
| TC4B2422S | TL9E060B12UH11 | 17.5 | CF/CM24C | 700 | 24.0 | 17.8 | 15.50 | 12.75 |
| TC4B2422S | TL9E060B12UH11 | 17.5 | CF/CM30C | 700 | 24.0 | 17.7 | 16.00 | 13.00 |
| TC4B2422S | TL9E060B12UH11 | 17.5 | CF42B | 675 | 24.0 | 17.5 | 16.00 | 13.00 |
| TC4B2422S | TL9E080C16UH11 | 21.0 | CF/CM/CU36C | 925 | 24.0 | 19.4 | 16.00 | 13.00 |

COOLING CAPACITY - With High Efficiency Motor Furnaces¹ (Continued)

| UNIT MODEL | FURNACE | | COIL MODEL ² | COOLING | | | | |
|---------------|-----------------|-------|----------------------------|--------------|---------|-------|-------|-------|
| | MODEL | WIDTH | | RATED CFM | NET MBH | | SEER | EER |
| | | | | | TOTAL | SENS. | | |
| TC4B2422S | TL9E080C16UH11 | 21.0 | CF/CM/CU42C | 925 | 24.0 | 19.6 | 16.00 | 13.00 |
| TC4B2422S | TL9E080C16UH11 | 21.0 | CF/CM24C | 900 | 24.0 | 18.8 | 15.50 | 12.75 |
| TC4B2422S | TL9E080C16UH11 | 21.0 | CF/CM30C | 925 | 24.0 | 19.5 | 16.00 | 13.00 |
| TC4B2422S | TL9E080C16UH11 | 21.0 | CF/CM36D | 925 | 24.0 | 19.4 | 16.00 | 13.00 |
| TC4B2422S | TL9E080C16UH11 | 21.0 | CF/CM42D | 925 | 24.0 | 19.6 | 16.00 | 13.00 |
| TC4B2422S | TM8E040A12MP11 | 14.5 | CF/CM/CU24A | 725 | 24.0 | 18.2 | 15.75 | 13.00 |
| TC4B2422S | TM8E040A12MP11 | 14.5 | CF/CM/CU24B | 775 | 24.0 | 18.5 | 16.00 | 13.00 |
| TC4B2422S | TM8E040A12MP11 | 14.5 | CF/CM/CU30A | 725 | 24.0 | 18.0 | 16.00 | 13.00 |
| TC4B2422S | TM8E040A12MP11 | 14.5 | CF/CM/CU30B | 775 | 24.0 | 18.3 | 16.00 | 13.00 |
| TC4B2422S | TM8E040A12MP11 | 14.5 | CF/CM/CU36B | 700 | 24.0 | 17.7 | 16.00 | 13.00 |
| TC4B2422S | TM8E040A12MP11 | 14.5 | CF/CM36A | 650 | 24.0 | 17.4 | 16.00 | 13.00 |
| TC4B2422S | TM8E040A12MP11 | 14.5 | CF42B | 775 | 24.0 | 18.4 | 16.00 | 13.00 |
| TC4B2422S | TM8E060A12MP11 | 14.5 | CF/CM/CU24A | 725 | 24.0 | 18.2 | 15.75 | 13.00 |
| TC4B2422S | TM8E060A12MP11 | 14.5 | CF/CM/CU24B | 750 | 24.0 | 18.2 | 15.75 | 13.00 |
| TC4B2422S | TM8E060A12MP11 | 14.5 | CF/CM/CU30A | 725 | 24.0 | 18.0 | 16.00 | 13.00 |
| TC4B2422S | TM8E060A12MP11 | 14.5 | CF/CM/CU30B | 750 | 24.0 | 18.0 | 16.00 | 13.00 |
| TC4B2422S | TM8E060A12MP11 | 14.5 | CF/CM/CU36B | 825 | 24.0 | 18.6 | 16.00 | 13.00 |
| TC4B2422S | TM8E060A12MP11 | 14.5 | CF/CM36A | 725 | 24.0 | 18.2 | 16.00 | 13.00 |
| TC4B2422S | TM8E060A12MP11 | 14.5 | CF42B | 750 | 24.0 | 17.9 | 16.00 | 13.00 |
| TC4B2422S | TM8E080B12MP11 | 17.5 | CF/CM/CU24B | 725 | 24.0 | 18.1 | 16.00 | 13.00 |
| TC4B2422S | TM8E080B12MP11 | 17.5 | CF/CM/CU30B | 725 | 24.0 | 18.0 | 16.00 | 13.00 |
| TC4B2422S | TM8E080B12MP11 | 17.5 | CF/CM/CU36B | 725 | 24.0 | 18.2 | 16.00 | 13.00 |
| TC4B2422S | TM8E080B12MP11 | 17.5 | CF/CM/CU36C | 750 | 24.0 | 18.3 | 16.00 | 13.00 |
| TC4B2422S | TM8E080B12MP11 | 17.5 | CF/CM/CU42C | 750 | 24.0 | 18.0 | 16.00 | 13.00 |
| TC4B2422S | TM8E080B12MP11 | 17.5 | CF/CM24C | 750 | 24.0 | 18.2 | 16.00 | 13.00 |
| TC4B2422S | TM8E080B12MP11 | 17.5 | CF/CM30C | 750 | 24.0 | 18.0 | 16.00 | 13.00 |
| TC4B2422S | TM8E080B12MP11 | 17.5 | CF42B | 725 | 24.0 | 17.7 | 16.00 | 13.00 |
| TC4B2422S | TM8E080C16MP11 | 21.0 | CF/CM/CU36C | 825 | 24.0 | 18.6 | 16.00 | 13.00 |
| TC4B2422S | TM8E080C16MP11 | 21.0 | CF/CM/CU42C | 825 | 24.0 | 18.6 | 16.00 | 13.00 |
| TC4B2422S | TM8E080C16MP11 | 21.0 | CF/CM24C | 825 | 24.0 | 19.0 | 16.00 | 13.00 |
| TC4B2422S | TM8E080C16MP11 | 21.0 | CF/CM30C | 825 | 24.0 | 18.5 | 16.00 | 13.00 |
| TC4B2422S | TM8E080C16MP11 | 21.0 | CF/CM36D | 825 | 24.0 | 18.6 | 16.00 | 13.00 |
| TC4B2422S | TM8E080C16MP11 | 21.0 | CF/CM42D | 825 | 24.0 | 18.6 | 16.00 | 13.00 |
| TC4B2422S | TM8E100B12MP11 | 17.5 | CF/CM/CU24B | 725 | 24.0 | 18.1 | 16.00 | 13.00 |
| TC4B2422S | TM8E100B12MP11 | 17.5 | CF/CM/CU30B | 725 | 24.0 | 18.1 | 16.00 | 13.00 |
| TC4B2422S | TM8E100B12MP11 | 17.5 | CF/CM/CU36B | 725 | 24.0 | 18.2 | 16.00 | 13.00 |
| TC4B2422S | TM8E100B12MP11 | 17.5 | CF/CM/CU36C | 725 | 24.0 | 18.2 | 16.00 | 13.00 |
| TC4B2422S | TM8E100B12MP11 | 17.5 | CF/CM/CU42C | 850 | 24.0 | 18.9 | 16.00 | 13.00 |
| TC4B2422S | TM8E100B12MP11 | 17.5 | CF/CM24C | 725 | 24.0 | 18.1 | 16.00 | 13.00 |
| TC4B2422S | TM8E100B12MP11 | 17.5 | CF/CM30C | 725 | 24.0 | 18.1 | 16.00 | 13.00 |
| TC4B2422S | TM8E100B12MP11 | 17.5 | CF42B | 825 | 24.0 | 18.6 | 16.00 | 13.00 |
| TC4B2422S | TM8E100C16MP11 | 21.0 | CF/CM/CU36C | 800 | 24.0 | 18.7 | 16.00 | 13.00 |
| TC4B2422S | TM8E100C16MP11 | 21.0 | CF/CM/CU42C | 800 | 24.0 | 18.5 | 16.00 | 13.00 |
| TC4B2422S | TM8E100C16MP11 | 21.0 | CF/CM24C | 800 | 24.0 | 18.8 | 16.00 | 13.00 |
| TC4B2422S | TM8E100C16MP11 | 21.0 | CF/CM30C | 800 | 24.0 | 18.7 | 16.00 | 13.00 |
| TC4B2422S | TM8E100C16MP11 | 21.0 | CF/CM36D | 800 | 24.0 | 18.7 | 16.00 | 13.00 |
| TC4B2422S | TM8E100C16MP11 | 21.0 | CF/CM42D | 800 | 24.0 | 18.5 | 16.00 | 13.00 |
| TC4B2422S | TM8E120C16MP11 | 21.0 | CF/CM/CU36C | 825 | 24.0 | 18.6 | 16.00 | 13.00 |
| TC4B2422S | TM8E120C16MP11 | 21.0 | CF/CM/CU42C | 825 | 24.0 | 18.6 | 16.00 | 13.00 |
| TC4B2422S | TM8E120C16MP11 | 21.0 | CF/CM24C | 800 | 24.0 | 18.8 | 16.00 | 13.00 |
| TC4B2422S | TM8E120C16MP11 | 21.0 | CF/CM30C | 800 | 24.0 | 18.7 | 16.00 | 13.00 |
| TC4B2422S | TM8E120C16MP11 | 21.0 | CF/CM36D | 825 | 24.0 | 18.6 | 16.00 | 13.00 |
| TC4B2422S | TM8E120C16MP11 | 21.0 | CF/CM42D | 825 | 24.0 | 18.6 | 16.00 | 13.00 |
| TC4B2422S | TM8V060A12MP11C | 14.5 | CF/CM/CU24A | 625 | 23.8 | 16.9 | 15.75 | 13.00 |

COOLING CAPACITY - With High Efficiency Motor Furnaces¹ (Continued)

| UNIT MODEL | FURNACE | | COIL MODEL ² | COOLING | | | | |
|---------------|-----------------|-------|----------------------------|--------------|---------|-------|-------|-------|
| | MODEL | WIDTH | | RATED CFM | NET MBH | | SEER | EER |
| | | | | | TOTAL | SENS. | | |
| TC4B2422S | TM8V060A12MP11C | 14.5 | CF/CM/CU24B | 700 | 24.0 | 17.8 | 16.00 | 13.00 |
| TC4B2422S | TM8V060A12MP11C | 14.5 | CF/CM/CU30A | 625 | 24.0 | 17.0 | 16.00 | 13.00 |
| TC4B2422S | TM8V060A12MP11C | 14.5 | CF/CM/CU30B | 700 | 24.0 | 17.7 | 16.00 | 13.00 |
| TC4B2422S | TM8V060A12MP11C | 14.5 | CF/CM/CU36B | 700 | 24.0 | 17.7 | 16.00 | 13.00 |
| TC4B2422S | TM8V060A12MP11C | 14.5 | CF/CM36A | 725 | 24.0 | 18.2 | 16.00 | 13.00 |
| TC4B2422S | TM8V060A12MP11C | 14.5 | CF42B | 800 | 24.0 | 18.5 | 16.00 | 13.00 |
| TC4B2422S | TM8V060A12MP12C | 14.5 | CF/CM/CU24A | 625 | 23.8 | 16.9 | 15.75 | 13.00 |
| TC4B2422S | TM8V060A12MP12C | 14.5 | CF/CM/CU24B | 700 | 24.0 | 17.8 | 16.00 | 13.00 |
| TC4B2422S | TM8V060A12MP12C | 14.5 | CF/CM/CU30A | 625 | 24.0 | 17.0 | 16.00 | 13.00 |
| TC4B2422S | TM8V060A12MP12C | 14.5 | CF/CM/CU30B | 700 | 24.0 | 17.7 | 16.00 | 13.00 |
| TC4B2422S | TM8V060A12MP12C | 14.5 | CF/CM/CU36B | 700 | 24.0 | 17.7 | 16.00 | 13.00 |
| TC4B2422S | TM8V060A12MP12C | 14.5 | CF/CM36A | 725 | 24.0 | 18.2 | 16.00 | 13.00 |
| TC4B2422S | TM8V060A12MP12C | 14.5 | CF42B | 800 | 24.0 | 18.5 | 16.00 | 13.00 |
| TC4B2422S | TM8V080B12MP11C | 17.5 | CF/CM/CU24B | 725 | 24.0 | 18.1 | 15.75 | 13.00 |
| TC4B2422S | TM8V080B12MP11C | 17.5 | CF/CM/CU30B | 675 | 24.0 | 17.6 | 16.00 | 13.00 |
| TC4B2422S | TM8V080B12MP11C | 17.5 | CF/CM/CU36B | 675 | 24.0 | 17.6 | 16.00 | 13.00 |
| TC4B2422S | TM8V080B12MP11C | 17.5 | CF/CM/CU36C | 675 | 24.0 | 17.6 | 16.00 | 13.00 |
| TC4B2422S | TM8V080B12MP11C | 17.5 | CF/CM/CU42C | 725 | 24.0 | 17.7 | 16.00 | 13.00 |
| TC4B2422S | TM8V080B12MP11C | 17.5 | CF/CM24C | 725 | 24.0 | 18.2 | 15.75 | 13.00 |
| TC4B2422S | TM8V080B12MP11C | 17.5 | CF/CM30C | 675 | 24.0 | 17.6 | 16.00 | 13.00 |
| TC4B2422S | TM8V080B12MP11C | 17.5 | CF42B | 675 | 24.0 | 17.5 | 16.00 | 13.00 |
| TC4B2422S | TM8V080B12MP12C | 17.5 | CF/CM/CU24B | 725 | 24.0 | 18.1 | 15.75 | 13.00 |
| TC4B2422S | TM8V080B12MP12C | 17.5 | CF/CM/CU30B | 675 | 24.0 | 17.6 | 16.00 | 13.00 |
| TC4B2422S | TM8V080B12MP12C | 17.5 | CF/CM/CU36B | 675 | 24.0 | 17.6 | 16.00 | 13.00 |
| TC4B2422S | TM8V080B12MP12C | 17.5 | CF/CM/CU36C | 675 | 24.0 | 17.6 | 16.00 | 13.00 |
| TC4B2422S | TM8V080B12MP12C | 17.5 | CF/CM/CU42C | 725 | 24.0 | 17.7 | 16.00 | 13.00 |
| TC4B2422S | TM8V080B12MP12C | 17.5 | CF/CM24C | 725 | 24.0 | 18.2 | 15.75 | 13.00 |
| TC4B2422S | TM8V080B12MP12C | 17.5 | CF/CM30C | 675 | 24.0 | 17.6 | 16.00 | 13.00 |
| TC4B2422S | TM8V080B12MP12C | 17.5 | CF42B | 675 | 24.0 | 17.5 | 16.00 | 13.00 |
| TC4B2422S | TM8V080C16MP11C | 21.0 | CF/CM/CU36C | 875 | 24.0 | 19.5 | 16.00 | 13.00 |
| TC4B2422S | TM8V080C16MP11C | 21.0 | CF/CM/CU42C | 875 | 24.0 | 19.2 | 16.00 | 13.00 |
| TC4B2422S | TM8V080C16MP11C | 21.0 | CF/CM24C | 875 | 24.0 | 19.5 | 16.00 | 13.00 |
| TC4B2422S | TM8V080C16MP11C | 21.0 | CF/CM30C | 875 | 24.0 | 19.2 | 16.00 | 13.00 |
| TC4B2422S | TM8V080C16MP11C | 21.0 | CF/CM36D | 875 | 24.0 | 19.5 | 16.00 | 13.00 |
| TC4B2422S | TM8V080C16MP11C | 21.0 | CF/CM42D | 875 | 24.0 | 19.1 | 16.00 | 13.00 |
| TC4B2422S | TM8V080C16MP12C | 21.0 | CF/CM/CU36C | 875 | 24.0 | 19.5 | 16.00 | 13.00 |
| TC4B2422S | TM8V080C16MP12C | 21.0 | CF/CM/CU42C | 875 | 24.0 | 19.2 | 16.00 | 13.00 |
| TC4B2422S | TM8V080C16MP12C | 21.0 | CF/CM24C | 875 | 24.0 | 19.5 | 16.00 | 13.00 |
| TC4B2422S | TM8V080C16MP12C | 21.0 | CF/CM30C | 875 | 24.0 | 19.2 | 16.00 | 13.00 |
| TC4B2422S | TM8V080C16MP12C | 21.0 | CF/CM36D | 875 | 24.0 | 19.5 | 16.00 | 13.00 |
| TC4B2422S | TM8V080C16MP12C | 21.0 | CF/CM42D | 875 | 24.0 | 19.1 | 16.00 | 13.00 |
| TC4B2422S | TM8V100C16MP11C | 21.0 | CF/CM/CU36C | 875 | 24.0 | 19.5 | 16.00 | 13.00 |
| TC4B2422S | TM8V100C16MP11C | 21.0 | CF/CM/CU42C | 875 | 24.0 | 19.2 | 16.00 | 13.00 |
| TC4B2422S | TM8V100C16MP11C | 21.0 | CF/CM24C | 875 | 24.0 | 19.5 | 16.00 | 13.00 |
| TC4B2422S | TM8V100C16MP11C | 21.0 | CF/CM30C | 875 | 24.0 | 19.2 | 16.00 | 13.00 |
| TC4B2422S | TM8V100C16MP11C | 21.0 | CF/CM36D | 875 | 24.0 | 19.5 | 16.00 | 13.00 |
| TC4B2422S | TM8V100C16MP11C | 21.0 | CF/CM42D | 875 | 24.0 | 19.1 | 16.00 | 13.00 |
| TC4B2422S | TM8V100C16MP12C | 21.0 | CF/CM/CU36C | 875 | 24.0 | 19.5 | 16.00 | 13.00 |
| TC4B2422S | TM8V100C16MP12C | 21.0 | CF/CM/CU42C | 875 | 24.0 | 19.2 | 16.00 | 13.00 |
| TC4B2422S | TM8V100C16MP12C | 21.0 | CF/CM24C | 875 | 24.0 | 19.5 | 16.00 | 13.00 |
| TC4B2422S | TM8V100C16MP12C | 21.0 | CF/CM30C | 875 | 24.0 | 19.2 | 16.00 | 13.00 |
| TC4B2422S | TM8V100C16MP12C | 21.0 | CF/CM36D | 875 | 24.0 | 19.5 | 16.00 | 13.00 |
| TC4B2422S | TM8V100C16MP12C | 21.0 | CF/CM42D | 875 | 24.0 | 19.1 | 16.00 | 13.00 |

COOLING CAPACITY - With High Efficiency Motor Furnaces¹ (Continued)

| UNIT MODEL | FURNACE | | COIL MODEL ² | COOLING | | | | |
|---------------|----------------|-------|----------------------------|--------------|---------|-------|-------|-------|
| | MODEL | WIDTH | | RATED CFM | NET MBH | | SEER | EER |
| | | | | | TOTAL | SENS. | | |
| TC4B2422S | TM8X060A12MP11 | 14.5 | CF/CM/CU24A | 625 | 23.8 | 16.9 | 15.75 | 13.00 |
| TC4B2422S | TM8X060A12MP11 | 14.5 | CF/CM/CU24B | 650 | 24.0 | 17.3 | 15.75 | 13.00 |
| TC4B2422S | TM8X060A12MP11 | 14.5 | CF/CM/CU30A | 625 | 24.0 | 17.0 | 16.00 | 13.00 |
| TC4B2422S | TM8X060A12MP11 | 14.5 | CF/CM/CU30B | 650 | 24.0 | 17.2 | 16.00 | 13.00 |
| TC4B2422S | TM8X060A12MP11 | 14.5 | CF/CM/CU36B | 650 | 24.0 | 17.4 | 16.00 | 13.00 |
| TC4B2422S | TM8X060A12MP11 | 14.5 | CF/CM36A | 700 | 24.0 | 17.8 | 16.00 | 13.00 |
| TC4B2422S | TM8X060A12MP11 | 14.5 | CF42B | 800 | 24.0 | 18.5 | 16.00 | 13.00 |
| TC4B2422S | TM8X080B12MP11 | 17.5 | CF/CM/CU24B | 775 | 24.0 | 18.5 | 16.00 | 13.00 |
| TC4B2422S | TM8X080B12MP11 | 17.5 | CF/CM/CU30B | 775 | 24.0 | 18.3 | 16.00 | 13.00 |
| TC4B2422S | TM8X080B12MP11 | 17.5 | CF/CM/CU36B | 825 | 24.0 | 18.6 | 16.00 | 13.00 |
| TC4B2422S | TM8X080B12MP11 | 17.5 | CF/CM/CU36C | 850 | 24.0 | 18.8 | 16.00 | 13.00 |
| TC4B2422S | TM8X080B12MP11 | 17.5 | CF/CM/CU42C | 850 | 24.0 | 18.9 | 16.00 | 13.00 |
| TC4B2422S | TM8X080B12MP11 | 17.5 | CF/CM24C | 775 | 24.0 | 18.5 | 16.00 | 13.00 |
| TC4B2422S | TM8X080B12MP11 | 17.5 | CF/CM30C | 775 | 24.0 | 18.3 | 16.00 | 13.00 |
| TC4B2422S | TM8X080B12MP11 | 17.5 | CF42B | 675 | 24.0 | 17.5 | 16.00 | 13.00 |
| TC4B2422S | TM8X080C16MP11 | 21.0 | CF/CM/CU36C | 700 | 24.0 | 17.7 | 16.00 | 13.00 |
| TC4B2422S | TM8X080C16MP11 | 21.0 | CF/CM/CU42C | 700 | 24.0 | 17.6 | 16.00 | 13.00 |
| TC4B2422S | TM8X080C16MP11 | 21.0 | CF/CM24C | 700 | 24.0 | 17.8 | 16.00 | 13.00 |
| TC4B2422S | TM8X080C16MP11 | 21.0 | CF/CM30C | 700 | 24.0 | 17.7 | 16.00 | 13.00 |
| TC4B2422S | TM8X080C16MP11 | 21.0 | CF/CM36D | 725 | 24.0 | 18.2 | 16.00 | 13.00 |
| TC4B2422S | TM8X080C16MP11 | 21.0 | CF/CM42D | 725 | 24.0 | 17.6 | 16.00 | 13.00 |
| TC4B2422S | TM8X100C16MP11 | 21.0 | CF/CM/CU36C | 700 | 24.0 | 17.7 | 16.00 | 13.00 |
| TC4B2422S | TM8X100C16MP11 | 21.0 | CF/CM/CU42C | 700 | 24.0 | 17.6 | 16.00 | 13.00 |
| TC4B2422S | TM8X100C16MP11 | 21.0 | CF/CM24C | 700 | 24.0 | 17.8 | 16.00 | 13.00 |
| TC4B2422S | TM8X100C16MP11 | 21.0 | CF/CM30C | 700 | 24.0 | 17.7 | 16.00 | 13.00 |
| TC4B2422S | TM8X100C16MP11 | 21.0 | CF/CM36D | 725 | 24.0 | 18.2 | 16.00 | 13.00 |
| TC4B2422S | TM8X100C16MP11 | 21.0 | CF/CM42D | 725 | 24.0 | 17.6 | 16.00 | 13.00 |
| TC4B2422S | TM8Y060A12MP11 | 14.5 | CF/CM/CU24A | 625 | 23.8 | 16.9 | 15.75 | 13.00 |
| TC4B2422S | TM8Y060A12MP11 | 14.5 | CF/CM/CU24B | 650 | 24.0 | 17.3 | 15.75 | 13.00 |
| TC4B2422S | TM8Y060A12MP11 | 14.5 | CF/CM/CU30A | 625 | 24.0 | 17.0 | 16.00 | 13.00 |
| TC4B2422S | TM8Y060A12MP11 | 14.5 | CF/CM/CU30B | 650 | 24.0 | 17.2 | 16.00 | 13.00 |
| TC4B2422S | TM8Y060A12MP11 | 14.5 | CF/CM/CU36B | 650 | 24.0 | 17.4 | 16.00 | 13.00 |
| TC4B2422S | TM8Y060A12MP11 | 14.5 | CF/CM36A | 700 | 24.0 | 17.8 | 16.00 | 13.00 |
| TC4B2422S | TM8Y060A12MP11 | 14.5 | CF42B | 800 | 24.0 | 18.5 | 16.00 | 13.00 |
| TC4B2422S | TM8Y080B12MP11 | 17.5 | CF/CM/CU24B | 775 | 24.0 | 18.5 | 16.00 | 13.00 |
| TC4B2422S | TM8Y080B12MP11 | 17.5 | CF/CM/CU30B | 775 | 24.0 | 18.3 | 16.00 | 13.00 |
| TC4B2422S | TM8Y080B12MP11 | 17.5 | CF/CM/CU36B | 825 | 24.0 | 18.6 | 16.00 | 13.00 |
| TC4B2422S | TM8Y080B12MP11 | 17.5 | CF/CM/CU36C | 850 | 24.0 | 18.8 | 16.00 | 13.00 |
| TC4B2422S | TM8Y080B12MP11 | 17.5 | CF/CM/CU42C | 850 | 24.0 | 18.9 | 16.00 | 13.00 |
| TC4B2422S | TM8Y080B12MP11 | 17.5 | CF/CM24C | 775 | 24.0 | 18.5 | 16.00 | 13.00 |
| TC4B2422S | TM8Y080B12MP11 | 17.5 | CF/CM30C | 775 | 24.0 | 18.3 | 16.00 | 13.00 |
| TC4B2422S | TM8Y080B12MP11 | 17.5 | CF42B | 675 | 24.0 | 17.5 | 16.00 | 13.00 |
| TC4B2422S | TM8Y080C16MP11 | 21.0 | CF/CM/CU36C | 700 | 24.0 | 17.7 | 16.00 | 13.00 |
| TC4B2422S | TM8Y080C16MP11 | 21.0 | CF/CM/CU42C | 700 | 24.0 | 17.6 | 16.00 | 13.00 |
| TC4B2422S | TM8Y080C16MP11 | 21.0 | CF/CM24C | 700 | 24.0 | 17.8 | 16.00 | 13.00 |
| TC4B2422S | TM8Y080C16MP11 | 21.0 | CF/CM30C | 700 | 24.0 | 17.7 | 16.00 | 13.00 |
| TC4B2422S | TM8Y080C16MP11 | 21.0 | CF/CM36D | 725 | 24.0 | 18.2 | 16.00 | 13.00 |
| TC4B2422S | TM8Y080C16MP11 | 21.0 | CF/CM42D | 725 | 24.0 | 17.6 | 16.00 | 13.00 |
| TC4B2422S | TM8Y100C16MP11 | 21.0 | CF/CM/CU36C | 700 | 24.0 | 17.7 | 16.00 | 13.00 |
| TC4B2422S | TM8Y100C16MP11 | 21.0 | CF/CM/CU42C | 700 | 24.0 | 17.6 | 16.00 | 13.00 |
| TC4B2422S | TM8Y100C16MP11 | 21.0 | CF/CM24C | 700 | 24.0 | 17.8 | 16.00 | 13.00 |
| TC4B2422S | TM8Y100C16MP11 | 21.0 | CF/CM30C | 700 | 24.0 | 17.7 | 16.00 | 13.00 |
| TC4B2422S | TM8Y100C16MP11 | 21.0 | CF/CM36D | 725 | 24.0 | 18.2 | 16.00 | 13.00 |
| TC4B2422S | TM8Y100C16MP11 | 21.0 | CF/CM42D | 725 | 24.0 | 17.6 | 16.00 | 13.00 |

COOLING CAPACITY - With High Efficiency Motor Furnaces¹ (Continued)

| UNIT MODEL | FURNACE | | COIL MODEL ² | COOLING | | | | |
|---------------|----------------|-------|----------------------------|--------------|---------|-------|-------|-------|
| | MODEL | WIDTH | | RATED CFM | NET MBH | | SEER | EER |
| | | | | | TOTAL | SENS. | | |
| TC4B2422S | TM9E040A10MP11 | 14.5 | CF/CM/CU24A | 675 | 23.8 | 17.4 | 14.75 | 12.50 |
| TC4B2422S | TM9E040A10MP11 | 14.5 | CF/CM/CU24B | 700 | 24.0 | 17.8 | 15.00 | 12.50 |
| TC4B2422S | TM9E040A10MP11 | 14.5 | CF/CM/CU30A | 675 | 24.0 | 17.5 | 15.00 | 12.50 |
| TC4B2422S | TM9E040A10MP11 | 14.5 | CF/CM/CU30B | 700 | 24.0 | 17.8 | 15.50 | 12.75 |
| TC4B2422S | TM9E040A10MP11 | 14.5 | CF/CM/CU36B | 700 | 24.0 | 17.7 | 15.50 | 12.75 |
| TC4B2422S | TM9E040A10MP11 | 14.5 | CF/CM36A | 675 | 24.0 | 17.5 | 15.00 | 12.50 |
| TC4B2422S | TM9E040A10MP11 | 14.5 | CF42B | 675 | 24.0 | 17.5 | 15.25 | 12.75 |
| TC4B2422S | TM9E040A10MP12 | 14.5 | CF/CM/CU24A | 600 | 23.4 | 16.5 | 15.25 | 12.50 |
| TC4B2422S | TM9E040A10MP12 | 14.5 | CF/CM/CU24B | 625 | 23.6 | 16.8 | 15.25 | 12.50 |
| TC4B2422S | TM9E040A10MP12 | 14.5 | CF/CM/CU30A | 600 | 24.0 | 16.8 | 15.50 | 12.75 |
| TC4B2422S | TM9E040A10MP12 | 14.5 | CF/CM/CU30B | 625 | 24.0 | 17.0 | 15.50 | 12.75 |
| TC4B2422S | TM9E040A10MP12 | 14.5 | CF/CM/CU36B | 675 | 24.0 | 17.6 | 15.50 | 13.00 |
| TC4B2422S | TM9E040A10MP12 | 14.5 | CF/CM36A | 675 | 24.0 | 17.6 | 15.50 | 12.75 |
| TC4B2422S | TM9E040A10MP12 | 14.5 | CF42B | 625 | 24.0 | 17.1 | 15.75 | 13.00 |
| TC4B2422S | TM9E060A10MP12 | 14.5 | CF/CM/CU24A | 675 | 24.0 | 17.5 | 15.50 | 12.75 |
| TC4B2422S | TM9E060A10MP12 | 14.5 | CF/CM/CU24B | 700 | 24.0 | 17.8 | 15.50 | 12.75 |
| TC4B2422S | TM9E060A10MP12 | 14.5 | CF/CM/CU30A | 675 | 24.0 | 17.5 | 15.75 | 13.00 |
| TC4B2422S | TM9E060A10MP12 | 14.5 | CF/CM/CU30B | 700 | 24.0 | 17.7 | 15.75 | 13.00 |
| TC4B2422S | TM9E060A10MP12 | 14.5 | CF/CM/CU36B | 700 | 24.0 | 17.8 | 15.75 | 13.00 |
| TC4B2422S | TM9E060A10MP12 | 14.5 | CF/CM36A | 675 | 24.0 | 17.6 | 15.75 | 13.00 |
| TC4B2422S | TM9E060A10MP12 | 14.5 | CF42B | 700 | 24.0 | 17.6 | 16.00 | 13.00 |
| TC4B2422S | TM9E060B12MP11 | 17.5 | CF/CM/CU24B | 675 | 24.0 | 17.5 | 15.75 | 13.00 |
| TC4B2422S | TM9E060B12MP11 | 17.5 | CF/CM/CU30B | 675 | 24.0 | 17.6 | 16.00 | 13.00 |
| TC4B2422S | TM9E060B12MP11 | 17.5 | CF/CM/CU36B | 675 | 24.0 | 17.6 | 16.00 | 13.00 |
| TC4B2422S | TM9E060B12MP11 | 17.5 | CF/CM/CU36C | 700 | 24.0 | 17.7 | 16.00 | 13.00 |
| TC4B2422S | TM9E060B12MP11 | 17.5 | CF/CM/CU42C | 700 | 24.0 | 17.6 | 16.00 | 13.00 |
| TC4B2422S | TM9E060B12MP11 | 17.5 | CF/CM24C | 675 | 24.0 | 17.5 | 15.75 | 13.00 |
| TC4B2422S | TM9E060B12MP11 | 17.5 | CF/CM30C | 675 | 24.0 | 17.6 | 16.00 | 13.00 |
| TC4B2422S | TM9E060B12MP11 | 17.5 | CF42B | 675 | 24.0 | 17.5 | 16.00 | 13.00 |
| TC4B2422S | TM9E060B12MP12 | 17.5 | CF/CM/CU24B | 750 | 24.0 | 18.3 | 15.75 | 13.00 |
| TC4B2422S | TM9E060B12MP12 | 17.5 | CF/CM/CU30B | 750 | 24.0 | 18.0 | 16.00 | 13.00 |
| TC4B2422S | TM9E060B12MP12 | 17.5 | CF/CM/CU36B | 750 | 24.0 | 18.3 | 16.00 | 13.00 |
| TC4B2422S | TM9E060B12MP12 | 17.5 | CF/CM/CU36C | 750 | 24.0 | 18.3 | 16.00 | 13.00 |
| TC4B2422S | TM9E060B12MP12 | 17.5 | CF/CM/CU42C | 750 | 24.0 | 17.9 | 16.00 | 13.00 |
| TC4B2422S | TM9E060B12MP12 | 17.5 | CF/CM24C | 750 | 24.0 | 18.3 | 15.50 | 13.00 |
| TC4B2422S | TM9E060B12MP12 | 17.5 | CF/CM30C | 750 | 24.0 | 18.0 | 15.75 | 13.00 |
| TC4B2422S | TM9E060B12MP12 | 17.5 | CF42B | 725 | 24.0 | 17.7 | 16.00 | 13.00 |
| TC4B2422S | TM9E080B12MP11 | 17.5 | CF/CM/CU24B | 700 | 24.0 | 17.8 | 16.00 | 13.00 |
| TC4B2422S | TM9E080B12MP11 | 17.5 | CF/CM/CU30B | 700 | 24.0 | 17.7 | 16.00 | 13.00 |
| TC4B2422S | TM9E080B12MP11 | 17.5 | CF/CM/CU36B | 700 | 24.0 | 17.7 | 16.00 | 13.00 |
| TC4B2422S | TM9E080B12MP11 | 17.5 | CF/CM/CU36C | 700 | 24.0 | 17.7 | 16.00 | 13.00 |
| TC4B2422S | TM9E080B12MP11 | 17.5 | CF/CM/CU42C | 700 | 24.0 | 17.6 | 16.00 | 13.00 |
| TC4B2422S | TM9E080B12MP11 | 17.5 | CF/CM24C | 700 | 24.0 | 17.8 | 16.00 | 13.00 |
| TC4B2422S | TM9E080B12MP11 | 17.5 | CF/CM30C | 700 | 24.0 | 17.7 | 16.00 | 13.00 |
| TC4B2422S | TM9E080B12MP11 | 17.5 | CF42B | 675 | 24.0 | 17.5 | 16.00 | 13.00 |
| TC4B2422S | TM9E080B12MP12 | 17.5 | CF/CM/CU24B | 800 | 24.0 | 18.7 | 15.75 | 13.00 |
| TC4B2422S | TM9E080B12MP12 | 17.5 | CF/CM/CU30B | 800 | 24.0 | 18.8 | 16.00 | 13.00 |
| TC4B2422S | TM9E080B12MP12 | 17.5 | CF/CM/CU36B | 800 | 24.0 | 18.8 | 16.00 | 13.00 |
| TC4B2422S | TM9E080B12MP12 | 17.5 | CF/CM/CU36C | 825 | 24.0 | 18.6 | 16.00 | 13.00 |
| TC4B2422S | TM9E080B12MP12 | 17.5 | CF/CM/CU42C | 825 | 24.0 | 18.6 | 16.00 | 13.00 |
| TC4B2422S | TM9E080B12MP12 | 17.5 | CF/CM24C | 800 | 24.0 | 18.7 | 15.75 | 13.00 |
| TC4B2422S | TM9E080B12MP12 | 17.5 | CF/CM30C | 825 | 24.0 | 18.5 | 16.00 | 13.00 |

COOLING CAPACITY - With High Efficiency Motor Furnaces¹ (Continued)

| UNIT MODEL | FURNACE | | COIL MODEL ² | COOLING | | | | |
|---------------|-----------------|-------|----------------------------|--------------|---------|-------|-------|-------|
| | MODEL | WIDTH | | RATED CFM | NET MBH | | SEER | EER |
| | | | | | TOTAL | SENS. | | |
| TC4B2422S | TM9E080B12MP12 | 17.5 | CF42B | 775 | 24.0 | 18.4 | 16.00 | 13.00 |
| TC4B2422S | TM9E080C16MP11 | 21.0 | CF/CM/CU36C | 600 | 24.0 | 17.1 | 16.00 | 13.00 |
| TC4B2422S | TM9E080C16MP11 | 21.0 | CF/CM/CU42C | 600 | 24.0 | 16.8 | 16.00 | 13.00 |
| TC4B2422S | TM9E080C16MP11 | 21.0 | CF/CM24C | 600 | 23.6 | 16.6 | 15.75 | 13.00 |
| TC4B2422S | TM9E080C16MP11 | 21.0 | CF/CM30C | 600 | 24.0 | 16.8 | 16.00 | 13.00 |
| TC4B2422S | TM9E080C16MP11 | 21.0 | CF/CM36D | 600 | 24.0 | 17.1 | 16.00 | 13.00 |
| TC4B2422S | TM9E080C16MP11 | 21.0 | CF/CM42D | 600 | 24.0 | 16.8 | 16.00 | 13.00 |
| TC4B2422S | TM9E080C16MP12 | 21.0 | CF/CM/CU36C | 750 | 24.0 | 18.3 | 16.00 | 13.00 |
| TC4B2422S | TM9E080C16MP12 | 21.0 | CF/CM/CU42C | 750 | 24.0 | 18.0 | 16.00 | 13.00 |
| TC4B2422S | TM9E080C16MP12 | 21.0 | CF/CM24C | 750 | 24.0 | 18.2 | 16.00 | 13.00 |
| TC4B2422S | TM9E080C16MP12 | 21.0 | CF/CM30C | 750 | 24.0 | 18.0 | 16.00 | 13.00 |
| TC4B2422S | TM9E080C16MP12 | 21.0 | CF/CM36D | 925 | 24.0 | 19.4 | 16.00 | 13.00 |
| TC4B2422S | TM9E080C16MP12 | 21.0 | CF/CM42D | 925 | 24.0 | 19.6 | 16.00 | 13.00 |
| TC4B2422S | TM9E100C16MP11 | 21.0 | CF/CM/CU36C | 650 | 24.0 | 17.3 | 16.00 | 13.00 |
| TC4B2422S | TM9E100C16MP11 | 21.0 | CF/CM/CU42C | 650 | 24.0 | 17.2 | 16.00 | 13.00 |
| TC4B2422S | TM9E100C16MP11 | 21.0 | CF/CM24C | 625 | 23.8 | 16.9 | 16.00 | 13.00 |
| TC4B2422S | TM9E100C16MP11 | 21.0 | CF/CM30C | 625 | 24.0 | 17.0 | 16.00 | 13.00 |
| TC4B2422S | TM9E100C16MP11 | 21.0 | CF/CM36D | 650 | 24.0 | 17.3 | 16.00 | 13.00 |
| TC4B2422S | TM9E100C16MP11 | 21.0 | CF/CM42D | 650 | 24.0 | 17.2 | 16.00 | 13.00 |
| TC4B2422S | TM9E100C16MP12 | 21.0 | CF/CM/CU36C | 800 | 24.0 | 18.7 | 16.00 | 13.00 |
| TC4B2422S | TM9E100C16MP12 | 21.0 | CF/CM/CU42C | 800 | 24.0 | 18.6 | 16.00 | 13.00 |
| TC4B2422S | TM9E100C16MP12 | 21.0 | CF/CM24C | 775 | 24.0 | 18.5 | 16.00 | 13.00 |
| TC4B2422S | TM9E100C16MP12 | 21.0 | CF/CM30C | 800 | 24.0 | 18.7 | 16.00 | 13.00 |
| TC4B2422S | TM9E100C16MP12 | 21.0 | CF/CM36D | 800 | 24.0 | 18.7 | 16.00 | 13.00 |
| TC4B2422S | TM9E100C16MP12 | 21.0 | CF/CM42D | 800 | 24.0 | 18.6 | 16.00 | 13.00 |
| TC4B2422S | TM9V040A10MP12C | 14.5 | CF/CM/CU24A | 625 | 23.6 | 16.7 | 15.25 | 12.50 |
| TC4B2422S | TM9V040A10MP12C | 14.5 | CF/CM/CU24B | 625 | 23.6 | 16.8 | 15.25 | 12.75 |
| TC4B2422S | TM9V040A10MP12C | 14.5 | CF/CM/CU30A | 900 | 24.0 | 19.4 | 14.00 | 12.00 |
| TC4B2422S | TM9V040A10MP12C | 14.5 | CF/CM/CU30B | 625 | 24.0 | 17.0 | 15.50 | 13.00 |
| TC4B2422S | TM9V040A10MP12C | 14.5 | CF/CM/CU36B | 650 | 24.0 | 17.3 | 15.75 | 13.00 |
| TC4B2422S | TM9V040A10MP12C | 14.5 | CF/CM36A | 650 | 24.0 | 17.3 | 15.50 | 13.00 |
| TC4B2422S | TM9V040A10MP12C | 14.5 | CF42B | 650 | 24.0 | 17.1 | 15.75 | 13.00 |
| TC4B2422S | TM9V060B12MP12C | 17.5 | CF/CM/CU24B | 700 | 24.0 | 17.8 | 15.75 | 13.00 |
| TC4B2422S | TM9V060B12MP12C | 17.5 | CF/CM/CU30B | 700 | 24.0 | 17.7 | 16.00 | 13.00 |
| TC4B2422S | TM9V060B12MP12C | 17.5 | CF/CM/CU36B | 650 | 24.0 | 17.3 | 16.00 | 13.00 |
| TC4B2422S | TM9V060B12MP12C | 17.5 | CF/CM/CU36C | 650 | 24.0 | 17.3 | 16.00 | 13.00 |
| TC4B2422S | TM9V060B12MP12C | 17.5 | CF/CM/CU42C | 700 | 24.0 | 17.6 | 16.00 | 13.00 |
| TC4B2422S | TM9V060B12MP12C | 17.5 | CF/CM24C | 700 | 24.0 | 17.8 | 15.75 | 13.00 |
| TC4B2422S | TM9V060B12MP12C | 17.5 | CF/CM30C | 700 | 24.0 | 17.7 | 16.00 | 13.00 |
| TC4B2422S | TM9V060B12MP12C | 17.5 | CF42B | 700 | 24.0 | 17.6 | 16.00 | 13.00 |
| TC4B2422S | TM9V080B12MP11C | 17.5 | CF/CM/CU24B | 725 | 24.0 | 18.2 | 16.00 | 13.00 |
| TC4B2422S | TM9V080B12MP11C | 17.5 | CF/CM/CU30B | 800 | 24.0 | 18.8 | 16.00 | 13.00 |
| TC4B2422S | TM9V080B12MP11C | 17.5 | CF/CM/CU36B | 675 | 24.0 | 17.6 | 16.00 | 13.00 |
| TC4B2422S | TM9V080B12MP11C | 17.5 | CF/CM/CU36C | 850 | 24.0 | 18.8 | 16.00 | 13.00 |
| TC4B2422S | TM9V080B12MP11C | 17.5 | CF/CM/CU42C | 850 | 24.0 | 18.9 | 16.00 | 13.00 |
| TC4B2422S | TM9V080B12MP11C | 17.5 | CF/CM24C | 725 | 24.0 | 18.1 | 16.00 | 13.00 |
| TC4B2422S | TM9V080B12MP11C | 17.5 | CF/CM30C | 775 | 24.0 | 18.3 | 16.00 | 13.00 |
| TC4B2422S | TM9V080B12MP11C | 17.5 | CF42B | 800 | 24.0 | 18.5 | 16.00 | 13.00 |
| TC4B2422S | TM9V080B12MP12C | 17.5 | CF/CM/CU24B | 725 | 24.0 | 18.2 | 16.00 | 13.00 |
| TC4B2422S | TM9V080B12MP12C | 17.5 | CF/CM/CU30B | 800 | 24.0 | 18.8 | 16.00 | 13.00 |
| TC4B2422S | TM9V080B12MP12C | 17.5 | CF/CM/CU36B | 675 | 24.0 | 17.6 | 16.00 | 13.00 |
| TC4B2422S | TM9V080B12MP12C | 17.5 | CF/CM/CU36C | 850 | 24.0 | 18.8 | 16.00 | 13.00 |
| TC4B2422S | TM9V080B12MP12C | 17.5 | CF/CM/CU42C | 850 | 24.0 | 18.9 | 16.00 | 13.00 |
| TC4B2422S | TM9V080B12MP12C | 17.5 | CF/CM24C | 725 | 24.0 | 18.1 | 16.00 | 13.00 |

COOLING CAPACITY - With High Efficiency Motor Furnaces¹ (Continued)

| UNIT MODEL | FURNACE | | COIL MODEL ² | COOLING | | | | |
|---------------|-----------------|-------|----------------------------|--------------|---------|-------|-------|-------|
| | MODEL | WIDTH | | RATED CFM | NET MBH | | SEER | EER |
| | | | | | TOTAL | SENS. | | |
| TC4B2422S | TM9V080B12MP12C | 17.5 | CF/CM30C | 775 | 24.0 | 18.3 | 16.00 | 13.00 |
| TC4B2422S | TM9V080B12MP12C | 17.5 | CF42B | 800 | 24.0 | 18.5 | 16.00 | 13.00 |
| TC4B2422S | TM9V080C16MP11C | 21.0 | CF/CM/CU36C | 950 | 24.0 | 20.0 | 16.00 | 13.00 |
| TC4B2422S | TM9V080C16MP11C | 21.0 | CF/CM/CU42C | 950 | 24.0 | 19.5 | 16.00 | 13.00 |
| TC4B2422S | TM9V080C16MP11C | 21.0 | CF/CM24C | 950 | 24.0 | 19.1 | 15.25 | 12.50 |
| TC4B2422S | TM9V080C16MP11C | 21.0 | CF/CM30C | 950 | 24.0 | 19.8 | 16.00 | 13.00 |
| TC4B2422S | TM9V080C16MP11C | 21.0 | CF/CM36D | 950 | 24.0 | 20.0 | 16.00 | 13.00 |
| TC4B2422S | TM9V080C16MP11C | 21.0 | CF/CM42D | 950 | 24.0 | 19.5 | 16.00 | 13.00 |
| TC4B2422S | TM9V080C16MP12C | 21.0 | CF/CM/CU36C | 950 | 24.0 | 20.0 | 16.00 | 13.00 |
| TC4B2422S | TM9V080C16MP12C | 21.0 | CF/CM/CU42C | 950 | 24.0 | 19.5 | 16.00 | 13.00 |
| TC4B2422S | TM9V080C16MP12C | 21.0 | CF/CM24C | 950 | 24.0 | 19.1 | 15.25 | 12.50 |
| TC4B2422S | TM9V080C16MP12C | 21.0 | CF/CM30C | 950 | 24.0 | 19.8 | 16.00 | 13.00 |
| TC4B2422S | TM9V080C16MP12C | 21.0 | CF/CM36D | 950 | 24.0 | 20.0 | 16.00 | 13.00 |
| TC4B2422S | TM9V080C16MP12C | 21.0 | CF/CM42D | 950 | 24.0 | 19.5 | 16.00 | 13.00 |
| TC4B2422S | TM9V100C16MP11C | 21.0 | CF/CM/CU36C | 900 | 24.0 | 19.4 | 16.00 | 13.00 |
| TC4B2422S | TM9V100C16MP11C | 21.0 | CF/CM/CU42C | 900 | 24.0 | 19.4 | 16.00 | 13.00 |
| TC4B2422S | TM9V100C16MP11C | 21.0 | CF/CM24C | 900 | 24.0 | 18.8 | 15.75 | 13.00 |
| TC4B2422S | TM9V100C16MP11C | 21.0 | CF/CM30C | 900 | 24.0 | 19.4 | 16.00 | 13.00 |
| TC4B2422S | TM9V100C16MP11C | 21.0 | CF/CM36D | 900 | 24.0 | 19.4 | 16.00 | 13.00 |
| TC4B2422S | TM9V100C16MP11C | 21.0 | CF/CM42D | 900 | 24.0 | 19.4 | 16.00 | 13.00 |
| TC4B2422S | TM9V100C16MP12C | 21.0 | CF/CM/CU36C | 900 | 24.0 | 19.4 | 16.00 | 13.00 |
| TC4B2422S | TM9V100C16MP12C | 21.0 | CF/CM/CU42C | 900 | 24.0 | 19.4 | 16.00 | 13.00 |
| TC4B2422S | TM9V100C16MP12C | 21.0 | CF/CM24C | 900 | 24.0 | 18.8 | 15.75 | 13.00 |
| TC4B2422S | TM9V100C16MP12C | 21.0 | CF/CM30C | 900 | 24.0 | 19.4 | 16.00 | 13.00 |
| TC4B2422S | TM9V100C16MP12C | 21.0 | CF/CM36D | 900 | 24.0 | 19.4 | 16.00 | 13.00 |
| TC4B2422S | TM9V100C16MP12C | 21.0 | CF/CM42D | 900 | 24.0 | 19.4 | 16.00 | 13.00 |
| TC4B2422S | TM9Y040A10MP11 | 14.5 | CF/CM/CU24A | 675 | 23.8 | 17.4 | 14.75 | 12.50 |
| TC4B2422S | TM9Y040A10MP11 | 14.5 | CF/CM/CU24B | 700 | 24.0 | 17.8 | 15.00 | 12.50 |
| TC4B2422S | TM9Y040A10MP11 | 14.5 | CF/CM/CU30A | 675 | 24.0 | 17.5 | 15.00 | 12.50 |
| TC4B2422S | TM9Y040A10MP11 | 14.5 | CF/CM/CU30B | 700 | 24.0 | 17.8 | 15.50 | 12.75 |
| TC4B2422S | TM9Y040A10MP11 | 14.5 | CF/CM/CU36B | 700 | 24.0 | 17.7 | 15.50 | 12.75 |
| TC4B2422S | TM9Y040A10MP11 | 14.5 | CF/CM36A | 675 | 24.0 | 17.5 | 15.00 | 12.50 |
| TC4B2422S | TM9Y040A10MP11 | 14.5 | CF42B | 675 | 24.0 | 17.5 | 15.25 | 12.75 |
| TC4B2422S | TM9Y060B12MP11 | 17.5 | CF/CM/CU24B | 675 | 24.0 | 17.5 | 15.75 | 13.00 |
| TC4B2422S | TM9Y060B12MP11 | 17.5 | CF/CM/CU30B | 675 | 24.0 | 17.6 | 16.00 | 13.00 |
| TC4B2422S | TM9Y060B12MP11 | 17.5 | CF/CM/CU36B | 675 | 24.0 | 17.6 | 16.00 | 13.00 |
| TC4B2422S | TM9Y060B12MP11 | 17.5 | CF/CM/CU36C | 700 | 24.0 | 17.7 | 16.00 | 13.00 |
| TC4B2422S | TM9Y060B12MP11 | 17.5 | CF/CM/CU42C | 700 | 24.0 | 17.6 | 16.00 | 13.00 |
| TC4B2422S | TM9Y060B12MP11 | 17.5 | CF/CM24C | 675 | 24.0 | 17.5 | 15.75 | 13.00 |
| TC4B2422S | TM9Y060B12MP11 | 17.5 | CF/CM30C | 675 | 24.0 | 17.6 | 16.00 | 13.00 |
| TC4B2422S | TM9Y060B12MP11 | 17.5 | CF42B | 675 | 24.0 | 17.5 | 16.00 | 13.00 |
| TC4B2422S | TM9Y080B12MP11 | 17.5 | CF/CM/CU24B | 700 | 24.0 | 17.8 | 16.00 | 13.00 |
| TC4B2422S | TM9Y080B12MP11 | 17.5 | CF/CM/CU30B | 700 | 24.0 | 17.7 | 16.00 | 13.00 |
| TC4B2422S | TM9Y080B12MP11 | 17.5 | CF/CM/CU36B | 700 | 24.0 | 17.7 | 16.00 | 13.00 |
| TC4B2422S | TM9Y080B12MP11 | 17.5 | CF/CM/CU36C | 700 | 24.0 | 17.7 | 16.00 | 13.00 |
| TC4B2422S | TM9Y080B12MP11 | 17.5 | CF/CM/CU42C | 700 | 24.0 | 17.6 | 16.00 | 13.00 |
| TC4B2422S | TM9Y080B12MP11 | 17.5 | CF/CM24C | 700 | 24.0 | 17.8 | 16.00 | 13.00 |
| TC4B2422S | TM9Y080B12MP11 | 17.5 | CF/CM30C | 700 | 24.0 | 17.7 | 16.00 | 13.00 |
| TC4B2422S | TM9Y080B12MP11 | 17.5 | CF42B | 675 | 24.0 | 17.5 | 16.00 | 13.00 |
| TC4B2422S | TM9Y080C16MP11 | 21.0 | CF/CM/CU36C | 600 | 24.0 | 17.1 | 16.00 | 13.00 |
| TC4B2422S | TM9Y080C16MP11 | 21.0 | CF/CM/CU42C | 600 | 24.0 | 16.8 | 16.00 | 13.00 |
| TC4B2422S | TM9Y080C16MP11 | 21.0 | CF/CM24C | 600 | 23.6 | 16.6 | 15.75 | 13.00 |
| TC4B2422S | TM9Y080C16MP11 | 21.0 | CF/CM30C | 600 | 24.0 | 16.8 | 16.00 | 13.00 |

COOLING CAPACITY - With High Efficiency Motor Furnaces¹ (Continued)

| UNIT MODEL | FURNACE | | COIL MODEL ² | COOLING | | | | |
|------------|-----------------|-------|-------------------------|-----------|---------|-------|-------|-------|
| | MODEL | WIDTH | | RATED CFM | NET MBH | | SEER | EER |
| | | | | | TOTAL | SENS. | | |
| TC4B2422S | TM9Y080C16MP11 | 21.0 | CF/CM36D | 600 | 24.0 | 17.1 | 16.00 | 13.00 |
| TC4B2422S | TM9Y080C16MP11 | 21.0 | CF/CM42D | 600 | 24.0 | 16.8 | 16.00 | 13.00 |
| TC4B2422S | TM9Y100C16MP11 | 21.0 | CF/CM/CU36C | 650 | 24.0 | 17.3 | 16.00 | 13.00 |
| TC4B2422S | TM9Y100C16MP11 | 21.0 | CF/CM/CU42C | 650 | 24.0 | 17.2 | 16.00 | 13.00 |
| TC4B2422S | TM9Y100C16MP11 | 21.0 | CF/CM24C | 625 | 23.8 | 16.9 | 16.00 | 13.00 |
| TC4B2422S | TM9Y100C16MP11 | 21.0 | CF/CM30C | 625 | 24.0 | 17.0 | 16.00 | 13.00 |
| TC4B2422S | TM9Y100C16MP11 | 21.0 | CF/CM36D | 650 | 24.0 | 17.3 | 16.00 | 13.00 |
| TC4B2422S | TM9Y100C16MP11 | 21.0 | CF/CM42D | 650 | 24.0 | 17.2 | 16.00 | 13.00 |
| TC4B2422S | TMLV060A12MP11C | 14.5 | CF/CM/CU24A | 625 | 23.8 | 16.9 | 15.75 | 13.00 |
| TC4B2422S | TMLV060A12MP11C | 14.5 | CF/CM/CU24B | 700 | 24.0 | 17.8 | 16.00 | 13.00 |
| TC4B2422S | TMLV060A12MP11C | 14.5 | CF/CM/CU30A | 625 | 24.0 | 17.0 | 16.00 | 13.00 |
| TC4B2422S | TMLV060A12MP11C | 14.5 | CF/CM/CU30B | 700 | 24.0 | 17.7 | 16.00 | 13.00 |
| TC4B2422S | TMLV060A12MP11C | 14.5 | CF/CM/CU36B | 700 | 24.0 | 17.7 | 16.00 | 13.00 |
| TC4B2422S | TMLV060A12MP11C | 14.5 | CF/CM36A | 725 | 24.0 | 18.2 | 16.00 | 13.00 |
| TC4B2422S | TMLV060A12MP11C | 14.5 | CF42B | 800 | 24.0 | 18.5 | 16.00 | 13.00 |
| TC4B2422S | TMLV060A12MP12C | 14.5 | CF/CM/CU24A | 625 | 23.8 | 16.9 | 15.75 | 13.00 |
| TC4B2422S | TMLV060A12MP12C | 14.5 | CF/CM/CU24B | 700 | 24.0 | 17.8 | 16.00 | 13.00 |
| TC4B2422S | TMLV060A12MP12C | 14.5 | CF/CM/CU30A | 625 | 24.0 | 17.0 | 16.00 | 13.00 |
| TC4B2422S | TMLV060A12MP12C | 14.5 | CF/CM/CU30B | 700 | 24.0 | 17.7 | 16.00 | 13.00 |
| TC4B2422S | TMLV060A12MP12C | 14.5 | CF/CM/CU36B | 700 | 24.0 | 17.7 | 16.00 | 13.00 |
| TC4B2422S | TMLV060A12MP12C | 14.5 | CF/CM36A | 725 | 24.0 | 18.2 | 16.00 | 13.00 |
| TC4B2422S | TMLV060A12MP12C | 14.5 | CF42B | 800 | 24.0 | 18.5 | 16.00 | 13.00 |
| TC4B2422S | TMLV080B12MP11C | 17.5 | CF/CM/CU24B | 725 | 24.0 | 18.1 | 15.75 | 13.00 |
| TC4B2422S | TMLV080B12MP11C | 17.5 | CF/CM/CU30B | 675 | 24.0 | 17.6 | 16.00 | 13.00 |
| TC4B2422S | TMLV080B12MP11C | 17.5 | CF/CM/CU36B | 675 | 24.0 | 17.6 | 16.00 | 13.00 |
| TC4B2422S | TMLV080B12MP11C | 17.5 | CF/CM/CU36C | 675 | 24.0 | 17.6 | 16.00 | 13.00 |
| TC4B2422S | TMLV080B12MP11C | 17.5 | CF/CM/CU42C | 725 | 24.0 | 17.7 | 16.00 | 13.00 |
| TC4B2422S | TMLV080B12MP11C | 17.5 | CF/CM24C | 725 | 24.0 | 18.2 | 15.75 | 13.00 |
| TC4B2422S | TMLV080B12MP11C | 17.5 | CF/CM30C | 675 | 24.0 | 17.6 | 16.00 | 13.00 |
| TC4B2422S | TMLV080B12MP11C | 17.5 | CF42B | 675 | 24.0 | 17.5 | 16.00 | 13.00 |
| TC4B2422S | TMLV080B12MP12C | 17.5 | CF/CM/CU24B | 725 | 24.0 | 18.1 | 15.75 | 13.00 |
| TC4B2422S | TMLV080B12MP12C | 17.5 | CF/CM/CU30B | 675 | 24.0 | 17.6 | 16.00 | 13.00 |
| TC4B2422S | TMLV080B12MP12C | 17.5 | CF/CM/CU36B | 675 | 24.0 | 17.6 | 16.00 | 13.00 |
| TC4B2422S | TMLV080B12MP12C | 17.5 | CF/CM/CU36C | 675 | 24.0 | 17.6 | 16.00 | 13.00 |
| TC4B2422S | TMLV080B12MP12C | 17.5 | CF/CM/CU42C | 725 | 24.0 | 17.7 | 16.00 | 13.00 |
| TC4B2422S | TMLV080B12MP12C | 17.5 | CF/CM24C | 725 | 24.0 | 18.2 | 15.75 | 13.00 |
| TC4B2422S | TMLV080B12MP12C | 17.5 | CF/CM30C | 675 | 24.0 | 17.6 | 16.00 | 13.00 |
| TC4B2422S | TMLV080B12MP12C | 17.5 | CF42B | 675 | 24.0 | 17.5 | 16.00 | 13.00 |
| TC4B2422S | TMLV080C16MP11C | 21.0 | CF/CM/CU36C | 875 | 24.0 | 19.5 | 16.00 | 13.00 |
| TC4B2422S | TMLV080C16MP11C | 21.0 | CF/CM/CU42C | 875 | 24.0 | 19.2 | 16.00 | 13.00 |
| TC4B2422S | TMLV080C16MP11C | 21.0 | CF/CM24C | 875 | 24.0 | 19.5 | 16.00 | 13.00 |
| TC4B2422S | TMLV080C16MP11C | 21.0 | CF/CM30C | 875 | 24.0 | 19.2 | 16.00 | 13.00 |
| TC4B2422S | TMLV080C16MP11C | 21.0 | CF/CM36D | 875 | 24.0 | 19.5 | 16.00 | 13.00 |
| TC4B2422S | TMLV080C16MP11C | 21.0 | CF/CM42D | 875 | 24.0 | 19.1 | 16.00 | 13.00 |
| TC4B2422S | TMLV080C16MP12C | 21.0 | CF/CM/CU36C | 875 | 24.0 | 19.5 | 16.00 | 13.00 |
| TC4B2422S | TMLV080C16MP12C | 21.0 | CF/CM/CU42C | 875 | 24.0 | 19.2 | 16.00 | 13.00 |
| TC4B2422S | TMLV080C16MP12C | 21.0 | CF/CM24C | 875 | 24.0 | 19.5 | 16.00 | 13.00 |
| TC4B2422S | TMLV080C16MP12C | 21.0 | CF/CM30C | 875 | 24.0 | 19.2 | 16.00 | 13.00 |
| TC4B2422S | TMLV080C16MP12C | 21.0 | CF/CM36D | 875 | 24.0 | 19.5 | 16.00 | 13.00 |
| TC4B2422S | TMLV080C16MP12C | 21.0 | CF/CM42D | 875 | 24.0 | 19.1 | 16.00 | 13.00 |
| TC4B2422S | TMLV100C16MP11C | 21.0 | CF/CM/CU36C | 875 | 24.0 | 19.5 | 16.00 | 13.00 |
| TC4B2422S | TMLV100C16MP11C | 21.0 | CF/CM/CU42C | 875 | 24.0 | 19.2 | 16.00 | 13.00 |
| TC4B2422S | TMLV100C16MP11C | 21.0 | CF/CM24C | 875 | 24.0 | 19.5 | 16.00 | 13.00 |
| TC4B2422S | TMLV100C16MP11C | 21.0 | CF/CM30C | 875 | 24.0 | 19.2 | 16.00 | 13.00 |

COOLING CAPACITY - With High Efficiency Motor Furnaces¹ (Continued)

| UNIT MODEL | FURNACE | | COIL MODEL ² | COOLING | | | | |
|---------------|-----------------|-------|----------------------------|--------------|---------|-------|-------|-------|
| | MODEL | WIDTH | | RATED CFM | NET MBH | | SEER | EER |
| | | | | | TOTAL | SENS. | | |
| TC4B2422S | TMLV100C16MP11C | 21.0 | CF/CM36D | 875 | 24.0 | 19.5 | 16.00 | 13.00 |
| TC4B2422S | TMLV100C16MP11C | 21.0 | CF/CM42D | 875 | 24.0 | 19.1 | 16.00 | 13.00 |
| TC4B2422S | TMLV100C16MP12C | 21.0 | CF/CM/CU36C | 875 | 24.0 | 19.5 | 16.00 | 13.00 |
| TC4B2422S | TMLV100C16MP12C | 21.0 | CF/CM/CU42C | 875 | 24.0 | 19.2 | 16.00 | 13.00 |
| TC4B2422S | TMLV100C16MP12C | 21.0 | CF/CM24C | 875 | 24.0 | 19.5 | 16.00 | 13.00 |
| TC4B2422S | TMLV100C16MP12C | 21.0 | CF/CM30C | 875 | 24.0 | 19.2 | 16.00 | 13.00 |
| TC4B2422S | TMLV100C16MP12C | 21.0 | CF/CM36D | 875 | 24.0 | 19.5 | 16.00 | 13.00 |
| TC4B2422S | TMLV100C16MP12C | 21.0 | CF/CM42D | 875 | 24.0 | 19.1 | 16.00 | 13.00 |
| TC4B2422S | TMLX060A12MP11 | 14.5 | CF/CM/CU24A | 625 | 23.8 | 16.9 | 15.75 | 13.00 |
| TC4B2422S | TMLX060A12MP11 | 14.5 | CF/CM/CU24B | 650 | 24.0 | 17.3 | 15.75 | 13.00 |
| TC4B2422S | TMLX060A12MP11 | 14.5 | CF/CM/CU30A | 625 | 24.0 | 17.0 | 16.00 | 13.00 |
| TC4B2422S | TMLX060A12MP11 | 14.5 | CF/CM/CU30B | 650 | 24.0 | 17.2 | 16.00 | 13.00 |
| TC4B2422S | TMLX060A12MP11 | 14.5 | CF/CM/CU36B | 650 | 24.0 | 17.4 | 16.00 | 13.00 |
| TC4B2422S | TMLX060A12MP11 | 14.5 | CF/CM36A | 700 | 24.0 | 17.8 | 16.00 | 13.00 |
| TC4B2422S | TMLX060A12MP11 | 14.5 | CF42B | 800 | 24.0 | 18.5 | 16.00 | 13.00 |
| TC4B2422S | TMLX080B12MP11 | 17.5 | CF/CM/CU24B | 775 | 24.0 | 18.5 | 16.00 | 13.00 |
| TC4B2422S | TMLX080B12MP11 | 17.5 | CF/CM/CU30B | 775 | 24.0 | 18.3 | 16.00 | 13.00 |
| TC4B2422S | TMLX080B12MP11 | 17.5 | CF/CM/CU36B | 825 | 24.0 | 18.6 | 16.00 | 13.00 |
| TC4B2422S | TMLX080B12MP11 | 17.5 | CF/CM/CU36C | 850 | 24.0 | 18.8 | 16.00 | 13.00 |
| TC4B2422S | TMLX080B12MP11 | 17.5 | CF/CM/CU42C | 850 | 24.0 | 18.9 | 16.00 | 13.00 |
| TC4B2422S | TMLX080B12MP11 | 17.5 | CF/CM24C | 775 | 24.0 | 18.5 | 16.00 | 13.00 |
| TC4B2422S | TMLX080B12MP11 | 17.5 | CF/CM30C | 775 | 24.0 | 18.3 | 16.00 | 13.00 |
| TC4B2422S | TMLX080B12MP11 | 17.5 | CF42B | 675 | 24.0 | 17.5 | 16.00 | 13.00 |
| TC4B2422S | TMLX080C16MP11 | 21.0 | CF/CM/CU36C | 700 | 24.0 | 17.7 | 16.00 | 13.00 |
| TC4B2422S | TMLX080C16MP11 | 21.0 | CF/CM/CU42C | 700 | 24.0 | 17.6 | 16.00 | 13.00 |
| TC4B2422S | TMLX080C16MP11 | 21.0 | CF/CM24C | 700 | 24.0 | 17.8 | 16.00 | 13.00 |
| TC4B2422S | TMLX080C16MP11 | 21.0 | CF/CM30C | 700 | 24.0 | 17.7 | 16.00 | 13.00 |
| TC4B2422S | TMLX080C16MP11 | 21.0 | CF/CM36D | 725 | 24.0 | 18.2 | 16.00 | 13.00 |
| TC4B2422S | TMLX080C16MP11 | 21.0 | CF/CM42D | 725 | 24.0 | 17.6 | 16.00 | 13.00 |
| TC4B2422S | TMLX100C16MP11 | 21.0 | CF/CM/CU36C | 700 | 24.0 | 17.7 | 16.00 | 13.00 |
| TC4B2422S | TMLX100C16MP11 | 21.0 | CF/CM/CU42C | 700 | 24.0 | 17.6 | 16.00 | 13.00 |
| TC4B2422S | TMLX100C16MP11 | 21.0 | CF/CM24C | 700 | 24.0 | 17.8 | 16.00 | 13.00 |
| TC4B2422S | TMLX100C16MP11 | 21.0 | CF/CM30C | 700 | 24.0 | 17.7 | 16.00 | 13.00 |
| TC4B2422S | TMLX100C16MP11 | 21.0 | CF/CM36D | 725 | 24.0 | 18.2 | 16.00 | 13.00 |
| TC4B2422S | TMLX100C16MP11 | 21.0 | CF/CM42D | 725 | 24.0 | 17.6 | 16.00 | 13.00 |
| TC4B2422S | TP9C060B12MP13C | 17.5 | CF/CM/CU24B | 700 | 24.0 | 17.8 | 15.75 | 13.00 |
| TC4B2422S | TP9C060B12MP13C | 17.5 | CF/CM/CU30B | 700 | 24.0 | 17.7 | 16.00 | 13.00 |
| TC4B2422S | TP9C060B12MP13C | 17.5 | CF/CM/CU36B | 650 | 24.0 | 17.3 | 16.00 | 13.00 |
| TC4B2422S | TP9C060B12MP13C | 17.5 | CF/CM/CU36C | 650 | 24.0 | 17.3 | 16.00 | 13.00 |
| TC4B2422S | TP9C060B12MP13C | 17.5 | CF/CM/CU42C | 700 | 24.0 | 17.6 | 16.00 | 13.00 |
| TC4B2422S | TP9C060B12MP13C | 17.5 | CF/CM24C | 700 | 24.0 | 17.8 | 15.75 | 13.00 |
| TC4B2422S | TP9C060B12MP13C | 17.5 | CF/CM30C | 700 | 24.0 | 17.7 | 16.00 | 13.00 |
| TC4B2422S | TP9C060B12MP13C | 17.5 | CF42B | 700 | 24.0 | 17.6 | 16.00 | 13.00 |
| TC4B2422S | TP9C080B12MP12C | 17.5 | CF/CM/CU24B | 725 | 24.0 | 18.2 | 16.00 | 13.00 |
| TC4B2422S | TP9C080B12MP12C | 17.5 | CF/CM/CU30B | 800 | 24.0 | 18.8 | 16.00 | 13.00 |
| TC4B2422S | TP9C080B12MP12C | 17.5 | CF/CM/CU36B | 675 | 24.0 | 17.6 | 16.00 | 13.00 |
| TC4B2422S | TP9C080B12MP12C | 17.5 | CF/CM/CU36C | 850 | 24.0 | 18.8 | 16.00 | 13.00 |
| TC4B2422S | TP9C080B12MP12C | 17.5 | CF/CM/CU42C | 850 | 24.0 | 18.9 | 16.00 | 13.00 |
| TC4B2422S | TP9C080B12MP12C | 17.5 | CF/CM24C | 725 | 24.0 | 18.1 | 16.00 | 13.00 |
| TC4B2422S | TP9C080B12MP12C | 17.5 | CF/CM30C | 775 | 24.0 | 18.3 | 16.00 | 13.00 |
| TC4B2422S | TP9C080B12MP12C | 17.5 | CF42B | 800 | 24.0 | 18.5 | 16.00 | 13.00 |
| TC4B2422S | TP9C080B12MP13C | 17.5 | CF/CM/CU24B | 725 | 24.0 | 18.2 | 16.00 | 13.00 |
| TC4B2422S | TP9C080B12MP13C | 17.5 | CF/CM/CU30B | 800 | 24.0 | 18.8 | 16.00 | 13.00 |

COOLING CAPACITY - With High Efficiency Motor Furnaces¹ (Continued)

| UNIT MODEL | FURNACE | | COIL MODEL ² | COOLING | | | | |
|---------------|-----------------|-------|----------------------------|--------------|---------|-------|-------|-------|
| | MODEL | WIDTH | | RATED CFM | NET MBH | | SEER | EER |
| | | | | | TOTAL | SENS. | | |
| TC4B2422S | TP9C080B12MP13C | 17.5 | CF/CM/CU36B | 675 | 24.0 | 17.6 | 16.00 | 13.00 |
| TC4B2422S | TP9C080B12MP13C | 17.5 | CF/CM/CU36C | 850 | 24.0 | 18.8 | 16.00 | 13.00 |
| TC4B2422S | TP9C080B12MP13C | 17.5 | CF/CM/CU42C | 850 | 24.0 | 18.9 | 16.00 | 13.00 |
| TC4B2422S | TP9C080B12MP13C | 17.5 | CF/CM24C | 725 | 24.0 | 18.1 | 16.00 | 13.00 |
| TC4B2422S | TP9C080B12MP13C | 17.5 | CF/CM30C | 775 | 24.0 | 18.3 | 16.00 | 13.00 |
| TC4B2422S | TP9C080B12MP13C | 17.5 | CF42B | 800 | 24.0 | 18.5 | 16.00 | 13.00 |
| TC4B2422S | TP9C080C16MP13C | 21.0 | CF/CM/CU36C | 950 | 24.0 | 20.0 | 16.00 | 13.00 |
| TC4B2422S | TP9C080C16MP13C | 21.0 | CF/CM/CU42C | 950 | 24.0 | 19.5 | 16.00 | 13.00 |
| TC4B2422S | TP9C080C16MP13C | 21.0 | CF/CM24C | 950 | 24.0 | 19.1 | 15.25 | 12.50 |
| TC4B2422S | TP9C080C16MP13C | 21.0 | CF/CM30C | 950 | 24.0 | 19.8 | 16.00 | 13.00 |
| TC4B2422S | TP9C080C16MP13C | 21.0 | CF/CM36D | 950 | 24.0 | 20.0 | 16.00 | 13.00 |
| TC4B2422S | TP9C080C16MP13C | 21.0 | CF/CM42D | 950 | 24.0 | 19.5 | 16.00 | 13.00 |
| TC4B2422S | TP9C100C16MP12C | 21.0 | CF/CM/CU36C | 900 | 24.0 | 19.4 | 16.00 | 13.00 |
| TC4B2422S | TP9C100C16MP12C | 21.0 | CF/CM/CU42C | 900 | 24.0 | 19.4 | 16.00 | 13.00 |
| TC4B2422S | TP9C100C16MP12C | 21.0 | CF/CM24C | 900 | 24.0 | 18.8 | 15.75 | 13.00 |
| TC4B2422S | TP9C100C16MP12C | 21.0 | CF/CM30C | 900 | 24.0 | 19.4 | 16.00 | 13.00 |
| TC4B2422S | TP9C100C16MP12C | 21.0 | CF/CM36D | 900 | 24.0 | 19.4 | 16.00 | 13.00 |
| TC4B2422S | TP9C100C16MP12C | 21.0 | CF/CM42D | 900 | 24.0 | 19.4 | 16.00 | 13.00 |
| TC4B2422S | TP9C100C16MP13C | 21.0 | CF/CM/CU36C | 900 | 24.0 | 19.4 | 16.00 | 13.00 |
| TC4B2422S | TP9C100C16MP13C | 21.0 | CF/CM/CU42C | 900 | 24.0 | 19.4 | 16.00 | 13.00 |
| TC4B2422S | TP9C100C16MP13C | 21.0 | CF/CM24C | 900 | 24.0 | 18.8 | 15.75 | 13.00 |
| TC4B2422S | TP9C100C16MP13C | 21.0 | CF/CM30C | 900 | 24.0 | 19.4 | 16.00 | 13.00 |
| TC4B2422S | TP9C100C16MP13C | 21.0 | CF/CM36D | 900 | 24.0 | 19.4 | 16.00 | 13.00 |
| TC4B2422S | TP9C100C16MP13C | 21.0 | CF/CM42D | 900 | 24.0 | 19.4 | 16.00 | 13.00 |
| TC4B2422S | TPLC060A12MP12C | 14.5 | CF/CM/CU24A | 625 | 23.8 | 16.9 | 15.75 | 13.00 |
| TC4B2422S | TPLC060A12MP12C | 14.5 | CF/CM/CU24B | 700 | 24.0 | 17.8 | 16.00 | 13.00 |
| TC4B2422S | TPLC060A12MP12C | 14.5 | CF/CM/CU30A | 625 | 24.0 | 17.0 | 16.00 | 13.00 |
| TC4B2422S | TPLC060A12MP12C | 14.5 | CF/CM/CU30B | 700 | 24.0 | 17.7 | 16.00 | 13.00 |
| TC4B2422S | TPLC060A12MP12C | 14.5 | CF/CM/CU36B | 700 | 24.0 | 17.7 | 16.00 | 13.00 |
| TC4B2422S | TPLC060A12MP12C | 14.5 | CF/CM36A | 725 | 24.0 | 18.2 | 16.00 | 13.00 |
| TC4B2422S | TPLC060A12MP12C | 14.5 | CF42B | 800 | 24.0 | 18.5 | 16.00 | 13.00 |
| TC4B2422S | TPLC060A12MP13C | 14.5 | CF/CM/CU24A | 625 | 23.8 | 16.9 | 15.75 | 13.00 |
| TC4B2422S | TPLC060A12MP13C | 14.5 | CF/CM/CU24B | 700 | 24.0 | 17.8 | 16.00 | 13.00 |
| TC4B2422S | TPLC060A12MP13C | 14.5 | CF/CM/CU30A | 625 | 24.0 | 17.0 | 16.00 | 13.00 |
| TC4B2422S | TPLC060A12MP13C | 14.5 | CF/CM/CU30B | 700 | 24.0 | 17.7 | 16.00 | 13.00 |
| TC4B2422S | TPLC060A12MP13C | 14.5 | CF/CM/CU36B | 700 | 24.0 | 17.7 | 16.00 | 13.00 |
| TC4B2422S | TPLC060A12MP13C | 14.5 | CF/CM36A | 725 | 24.0 | 18.2 | 16.00 | 13.00 |
| TC4B2422S | TPLC060A12MP13C | 14.5 | CF42B | 800 | 24.0 | 18.5 | 16.00 | 13.00 |
| TC4B2422S | TPLC080B12MP12C | 17.5 | CF/CM/CU24B | 725 | 24.0 | 18.1 | 15.75 | 13.00 |
| TC4B2422S | TPLC080B12MP12C | 17.5 | CF/CM/CU30B | 675 | 24.0 | 17.6 | 16.00 | 13.00 |
| TC4B2422S | TPLC080B12MP12C | 17.5 | CF/CM/CU36B | 675 | 24.0 | 17.6 | 16.00 | 13.00 |
| TC4B2422S | TPLC080B12MP12C | 17.5 | CF/CM/CU36C | 675 | 24.0 | 17.6 | 16.00 | 13.00 |
| TC4B2422S | TPLC080B12MP12C | 17.5 | CF/CM/CU42C | 725 | 24.0 | 17.7 | 16.00 | 13.00 |
| TC4B2422S | TPLC080B12MP12C | 17.5 | CF/CM24C | 725 | 24.0 | 18.2 | 15.75 | 13.00 |
| TC4B2422S | TPLC080B12MP12C | 17.5 | CF/CM30C | 675 | 24.0 | 17.6 | 16.00 | 13.00 |
| TC4B2422S | TPLC080B12MP12C | 17.5 | CF42B | 675 | 24.0 | 17.5 | 16.00 | 13.00 |
| TC4B2422S | TPLC080B12MP13C | 17.5 | CF/CM/CU24B | 725 | 24.0 | 18.1 | 15.75 | 13.00 |
| TC4B2422S | TPLC080B12MP13C | 17.5 | CF/CM/CU30B | 675 | 24.0 | 17.6 | 16.00 | 13.00 |
| TC4B2422S | TPLC080B12MP13C | 17.5 | CF/CM/CU36B | 675 | 24.0 | 17.6 | 16.00 | 13.00 |
| TC4B2422S | TPLC080B12MP13C | 17.5 | CF/CM/CU36C | 675 | 24.0 | 17.6 | 16.00 | 13.00 |
| TC4B2422S | TPLC080B12MP13C | 17.5 | CF/CM/CU42C | 725 | 24.0 | 17.7 | 16.00 | 13.00 |
| TC4B2422S | TPLC080B12MP13C | 17.5 | CF/CM24C | 725 | 24.0 | 18.2 | 15.75 | 13.00 |
| TC4B2422S | TPLC080B12MP13C | 17.5 | CF/CM30C | 675 | 24.0 | 17.6 | 16.00 | 13.00 |
| TC4B2422S | TPLC080B12MP13C | 17.5 | CF42B | 675 | 24.0 | 17.5 | 16.00 | 13.00 |

COOLING CAPACITY - With High Efficiency Motor Furnaces¹ (Continued)

| UNIT MODEL | FURNACE | | COIL MODEL ² | COOLING | | | | |
|---------------|-----------------|-------|----------------------------|--------------|---------|-------|-------|-------|
| | MODEL | WIDTH | | RATED CFM | NET MBH | | SEER | EER |
| | | | | | TOTAL | SENS. | | |
| TC4B2422S | TPLC080C16MP12C | 21.0 | CF/CM/CU36C | 875 | 24.0 | 19.5 | 16.00 | 13.00 |
| TC4B2422S | TPLC080C16MP12C | 21.0 | CF/CM/CU42C | 875 | 24.0 | 19.2 | 16.00 | 13.00 |
| TC4B2422S | TPLC080C16MP12C | 21.0 | CF/CM24C | 875 | 24.0 | 19.5 | 16.00 | 13.00 |
| TC4B2422S | TPLC080C16MP12C | 21.0 | CF/CM30C | 875 | 24.0 | 19.2 | 16.00 | 13.00 |
| TC4B2422S | TPLC080C16MP12C | 21.0 | CF/CM36D | 875 | 24.0 | 19.5 | 16.00 | 13.00 |
| TC4B2422S | TPLC080C16MP12C | 21.0 | CF/CM42D | 875 | 24.0 | 19.1 | 16.00 | 13.00 |
| TC4B2422S | TPLC080C16MP13C | 21.0 | CF/CM/CU36C | 875 | 24.0 | 19.5 | 16.00 | 13.00 |
| TC4B2422S | TPLC080C16MP13C | 21.0 | CF/CM/CU42C | 875 | 24.0 | 19.2 | 16.00 | 13.00 |
| TC4B2422S | TPLC080C16MP13C | 21.0 | CF/CM24C | 875 | 24.0 | 19.5 | 16.00 | 13.00 |
| TC4B2422S | TPLC080C16MP13C | 21.0 | CF/CM30C | 875 | 24.0 | 19.2 | 16.00 | 13.00 |
| TC4B2422S | TPLC080C16MP13C | 21.0 | CF/CM36D | 875 | 24.0 | 19.5 | 16.00 | 13.00 |
| TC4B2422S | TPLC080C16MP13C | 21.0 | CF/CM42D | 875 | 24.0 | 19.1 | 16.00 | 13.00 |
| TC4B2422S | TPLC100C16MP12C | 21.0 | CF/CM/CU36C | 875 | 24.0 | 19.5 | 16.00 | 13.00 |
| TC4B2422S | TPLC100C16MP12C | 21.0 | CF/CM/CU42C | 875 | 24.0 | 19.2 | 16.00 | 13.00 |
| TC4B2422S | TPLC100C16MP12C | 21.0 | CF/CM24C | 875 | 24.0 | 19.5 | 16.00 | 13.00 |
| TC4B2422S | TPLC100C16MP12C | 21.0 | CF/CM30C | 875 | 24.0 | 19.2 | 16.00 | 13.00 |
| TC4B2422S | TPLC100C16MP12C | 21.0 | CF/CM36D | 875 | 24.0 | 19.5 | 16.00 | 13.00 |
| TC4B2422S | TPLC100C16MP12C | 21.0 | CF/CM42D | 875 | 24.0 | 19.1 | 16.00 | 13.00 |
| TC4B2422S | TPLC100C16MP13C | 21.0 | CF/CM/CU36C | 875 | 24.0 | 19.5 | 16.00 | 13.00 |
| TC4B2422S | TPLC100C16MP13C | 21.0 | CF/CM/CU42C | 875 | 24.0 | 19.2 | 16.00 | 13.00 |
| TC4B2422S | TPLC100C16MP13C | 21.0 | CF/CM24C | 875 | 24.0 | 19.5 | 16.00 | 13.00 |
| TC4B2422S | TPLC100C16MP13C | 21.0 | CF/CM30C | 875 | 24.0 | 19.2 | 16.00 | 13.00 |
| TC4B2422S | TPLC100C16MP13C | 21.0 | CF/CM36D | 875 | 24.0 | 19.5 | 16.00 | 13.00 |
| TC4B2422S | TPLC100C16MP13C | 21.0 | CF/CM42D | 875 | 24.0 | 19.1 | 16.00 | 13.00 |
| TC4B2422S | YP9C060B12MP13C | 17.5 | CF/CM/CU24B | 700 | 24.0 | 17.8 | 15.75 | 13.00 |
| TC4B2422S | YP9C060B12MP13C | 17.5 | CF/CM/CU30B | 700 | 24.0 | 17.7 | 16.00 | 13.00 |
| TC4B2422S | YP9C060B12MP13C | 17.5 | CF/CM/CU36B | 650 | 24.0 | 17.3 | 16.00 | 13.00 |
| TC4B2422S | YP9C060B12MP13C | 17.5 | CF/CM/CU36C | 650 | 24.0 | 17.3 | 16.00 | 13.00 |
| TC4B2422S | YP9C060B12MP13C | 17.5 | CF/CM/CU42C | 700 | 24.0 | 17.6 | 16.00 | 13.00 |
| TC4B2422S | YP9C060B12MP13C | 17.5 | CF/CM24C | 700 | 24.0 | 17.8 | 15.75 | 13.00 |
| TC4B2422S | YP9C060B12MP13C | 17.5 | CF/CM30C | 700 | 24.0 | 17.7 | 16.00 | 13.00 |
| TC4B2422S | YP9C060B12MP13C | 17.5 | CF42B | 700 | 24.0 | 17.6 | 16.00 | 13.00 |
| TC4B2422S | YP9C080B12MP12C | 17.5 | CF/CM/CU24B | 725 | 24.0 | 18.2 | 16.00 | 13.00 |
| TC4B2422S | YP9C080B12MP12C | 17.5 | CF/CM/CU30B | 800 | 24.0 | 18.8 | 16.00 | 13.00 |
| TC4B2422S | YP9C080B12MP12C | 17.5 | CF/CM/CU36B | 675 | 24.0 | 17.6 | 16.00 | 13.00 |
| TC4B2422S | YP9C080B12MP12C | 17.5 | CF/CM/CU36C | 850 | 24.0 | 18.8 | 16.00 | 13.00 |
| TC4B2422S | YP9C080B12MP12C | 17.5 | CF/CM/CU42C | 850 | 24.0 | 18.9 | 16.00 | 13.00 |
| TC4B2422S | YP9C080B12MP12C | 17.5 | CF/CM24C | 725 | 24.0 | 18.1 | 16.00 | 13.00 |
| TC4B2422S | YP9C080B12MP12C | 17.5 | CF/CM30C | 775 | 24.0 | 18.3 | 16.00 | 13.00 |
| TC4B2422S | YP9C080B12MP12C | 17.5 | CF42B | 800 | 24.0 | 18.5 | 16.00 | 13.00 |
| TC4B2422S | YP9C080B12MP13C | 17.5 | CF/CM/CU24B | 725 | 24.0 | 18.2 | 16.00 | 13.00 |
| TC4B2422S | YP9C080B12MP13C | 17.5 | CF/CM/CU30B | 800 | 24.0 | 18.8 | 16.00 | 13.00 |
| TC4B2422S | YP9C080B12MP13C | 17.5 | CF/CM/CU36B | 675 | 24.0 | 17.6 | 16.00 | 13.00 |
| TC4B2422S | YP9C080B12MP13C | 17.5 | CF/CM/CU36C | 850 | 24.0 | 18.8 | 16.00 | 13.00 |
| TC4B2422S | YP9C080B12MP13C | 17.5 | CF/CM/CU42C | 850 | 24.0 | 18.9 | 16.00 | 13.00 |
| TC4B2422S | YP9C080B12MP13C | 17.5 | CF/CM24C | 725 | 24.0 | 18.1 | 16.00 | 13.00 |
| TC4B2422S | YP9C080B12MP13C | 17.5 | CF/CM30C | 775 | 24.0 | 18.3 | 16.00 | 13.00 |
| TC4B2422S | YP9C080B12MP13C | 17.5 | CF42B | 800 | 24.0 | 18.5 | 16.00 | 13.00 |
| TC4B2422S | YP9C080C16MP13C | 21.0 | CF/CM/CU36C | 950 | 24.0 | 20.0 | 16.00 | 13.00 |
| TC4B2422S | YP9C080C16MP13C | 21.0 | CF/CM/CU42C | 950 | 24.0 | 19.5 | 16.00 | 13.00 |
| TC4B2422S | YP9C080C16MP13C | 21.0 | CF/CM24C | 950 | 24.0 | 19.1 | 15.25 | 12.50 |
| TC4B2422S | YP9C080C16MP13C | 21.0 | CF/CM30C | 950 | 24.0 | 19.8 | 16.00 | 13.00 |
| TC4B2422S | YP9C080C16MP13C | 21.0 | CF/CM36D | 950 | 24.0 | 20.0 | 16.00 | 13.00 |

COOLING CAPACITY - With High Efficiency Motor Furnaces¹ (Continued)

| UNIT MODEL | FURNACE | | COIL MODEL ² | COOLING | | | | |
|---------------|-----------------|-------|----------------------------|--------------|---------|-------|-------|-------|
| | MODEL | WIDTH | | RATED CFM | NET MBH | | SEER | EER |
| | | | | | TOTAL | SENS. | | |
| TC4B2422S | YP9C080C16MP13C | 21.0 | CF/CM42D | 950 | 24.0 | 19.5 | 16.00 | 13.00 |
| TC4B2422S | YP9C100C16MP12C | 21.0 | CF/CM/CU36C | 900 | 24.0 | 19.4 | 16.00 | 13.00 |
| TC4B2422S | YP9C100C16MP12C | 21.0 | CF/CM/CU42C | 900 | 24.0 | 19.4 | 16.00 | 13.00 |
| TC4B2422S | YP9C100C16MP12C | 21.0 | CF/CM24C | 900 | 24.0 | 18.8 | 15.75 | 13.00 |
| TC4B2422S | YP9C100C16MP12C | 21.0 | CF/CM30C | 900 | 24.0 | 19.4 | 16.00 | 13.00 |
| TC4B2422S | YP9C100C16MP12C | 21.0 | CF/CM36D | 900 | 24.0 | 19.4 | 16.00 | 13.00 |
| TC4B2422S | YP9C100C16MP12C | 21.0 | CF/CM42D | 900 | 24.0 | 19.4 | 16.00 | 13.00 |
| TC4B2422S | YP9C100C16MP13C | 21.0 | CF/CM/CU36C | 900 | 24.0 | 19.4 | 16.00 | 13.00 |
| TC4B2422S | YP9C100C16MP13C | 21.0 | CF/CM/CU42C | 900 | 24.0 | 19.4 | 16.00 | 13.00 |
| TC4B2422S | YP9C100C16MP13C | 21.0 | CF/CM24C | 900 | 24.0 | 18.8 | 15.75 | 13.00 |
| TC4B2422S | YP9C100C16MP13C | 21.0 | CF/CM30C | 900 | 24.0 | 19.4 | 16.00 | 13.00 |
| TC4B2422S | YP9C100C16MP13C | 21.0 | CF/CM36D | 900 | 24.0 | 19.4 | 16.00 | 13.00 |
| TC4B2422S | YP9C100C16MP13C | 21.0 | CF/CM42D | 900 | 24.0 | 19.4 | 16.00 | 13.00 |
| TC4B2422S | YPLC060A12MP12C | 14.5 | CF/CM/CU24A | 625 | 23.8 | 16.9 | 15.75 | 13.00 |
| TC4B2422S | YPLC060A12MP12C | 14.5 | CF/CM/CU24B | 700 | 24.0 | 17.8 | 16.00 | 13.00 |
| TC4B2422S | YPLC060A12MP12C | 14.5 | CF/CM/CU30A | 625 | 24.0 | 17.0 | 16.00 | 13.00 |
| TC4B2422S | YPLC060A12MP12C | 14.5 | CF/CM/CU30B | 700 | 24.0 | 17.7 | 16.00 | 13.00 |
| TC4B2422S | YPLC060A12MP12C | 14.5 | CF/CM/CU36B | 700 | 24.0 | 17.7 | 16.00 | 13.00 |
| TC4B2422S | YPLC060A12MP12C | 14.5 | CF/CM36A | 725 | 24.0 | 18.2 | 16.00 | 13.00 |
| TC4B2422S | YPLC060A12MP12C | 14.5 | CF42B | 800 | 24.0 | 18.5 | 16.00 | 13.00 |
| TC4B2422S | YPLC060A12MP13C | 14.5 | CF/CM/CU24A | 625 | 23.8 | 16.9 | 15.75 | 13.00 |
| TC4B2422S | YPLC060A12MP13C | 14.5 | CF/CM/CU24B | 700 | 24.0 | 17.8 | 16.00 | 13.00 |
| TC4B2422S | YPLC060A12MP13C | 14.5 | CF/CM/CU30A | 625 | 24.0 | 17.0 | 16.00 | 13.00 |
| TC4B2422S | YPLC060A12MP13C | 14.5 | CF/CM/CU30B | 700 | 24.0 | 17.7 | 16.00 | 13.00 |
| TC4B2422S | YPLC060A12MP13C | 14.5 | CF/CM/CU36B | 700 | 24.0 | 17.7 | 16.00 | 13.00 |
| TC4B2422S | YPLC060A12MP13C | 14.5 | CF/CM36A | 725 | 24.0 | 18.2 | 16.00 | 13.00 |
| TC4B2422S | YPLC060A12MP13C | 14.5 | CF42B | 800 | 24.0 | 18.5 | 16.00 | 13.00 |
| TC4B2422S | YPLC080B12MP12C | 17.5 | CF/CM/CU24B | 725 | 24.0 | 18.1 | 15.75 | 13.00 |
| TC4B2422S | YPLC080B12MP12C | 17.5 | CF/CM/CU30B | 675 | 24.0 | 17.6 | 16.00 | 13.00 |
| TC4B2422S | YPLC080B12MP12C | 17.5 | CF/CM/CU36B | 675 | 24.0 | 17.6 | 16.00 | 13.00 |
| TC4B2422S | YPLC080B12MP12C | 17.5 | CF/CM/CU36C | 675 | 24.0 | 17.6 | 16.00 | 13.00 |
| TC4B2422S | YPLC080B12MP12C | 17.5 | CF/CM/CU42C | 725 | 24.0 | 17.7 | 16.00 | 13.00 |
| TC4B2422S | YPLC080B12MP12C | 17.5 | CF/CM24C | 725 | 24.0 | 18.2 | 15.75 | 13.00 |
| TC4B2422S | YPLC080B12MP12C | 17.5 | CF/CM30C | 675 | 24.0 | 17.6 | 16.00 | 13.00 |
| TC4B2422S | YPLC080B12MP12C | 17.5 | CF42B | 675 | 24.0 | 17.5 | 16.00 | 13.00 |
| TC4B2422S | YPLC080B12MP13C | 17.5 | CF/CM/CU24B | 725 | 24.0 | 18.1 | 15.75 | 13.00 |
| TC4B2422S | YPLC080B12MP13C | 17.5 | CF/CM/CU30B | 675 | 24.0 | 17.6 | 16.00 | 13.00 |
| TC4B2422S | YPLC080B12MP13C | 17.5 | CF/CM/CU36B | 675 | 24.0 | 17.6 | 16.00 | 13.00 |
| TC4B2422S | YPLC080B12MP13C | 17.5 | CF/CM/CU36C | 675 | 24.0 | 17.6 | 16.00 | 13.00 |
| TC4B2422S | YPLC080B12MP13C | 17.5 | CF/CM/CU42C | 725 | 24.0 | 17.7 | 16.00 | 13.00 |
| TC4B2422S | YPLC080B12MP13C | 17.5 | CF/CM24C | 725 | 24.0 | 18.2 | 15.75 | 13.00 |
| TC4B2422S | YPLC080B12MP13C | 17.5 | CF/CM30C | 675 | 24.0 | 17.6 | 16.00 | 13.00 |
| TC4B2422S | YPLC080B12MP13C | 17.5 | CF42B | 675 | 24.0 | 17.5 | 16.00 | 13.00 |
| TC4B2422S | YPLC080C16MP12C | 21.0 | CF/CM/CU36C | 875 | 24.0 | 19.5 | 16.00 | 13.00 |
| TC4B2422S | YPLC080C16MP12C | 21.0 | CF/CM/CU42C | 875 | 24.0 | 19.2 | 16.00 | 13.00 |
| TC4B2422S | YPLC080C16MP12C | 21.0 | CF/CM24C | 875 | 24.0 | 19.5 | 16.00 | 13.00 |
| TC4B2422S | YPLC080C16MP12C | 21.0 | CF/CM30C | 875 | 24.0 | 19.2 | 16.00 | 13.00 |
| TC4B2422S | YPLC080C16MP12C | 21.0 | CF/CM36D | 875 | 24.0 | 19.5 | 16.00 | 13.00 |
| TC4B2422S | YPLC080C16MP12C | 21.0 | CF/CM42D | 875 | 24.0 | 19.1 | 16.00 | 13.00 |
| TC4B2422S | YPLC080C16MP13C | 21.0 | CF/CM/CU36C | 875 | 24.0 | 19.5 | 16.00 | 13.00 |
| TC4B2422S | YPLC080C16MP13C | 21.0 | CF/CM/CU42C | 875 | 24.0 | 19.2 | 16.00 | 13.00 |
| TC4B2422S | YPLC080C16MP13C | 21.0 | CF/CM24C | 875 | 24.0 | 19.5 | 16.00 | 13.00 |
| TC4B2422S | YPLC080C16MP13C | 21.0 | CF/CM30C | 875 | 24.0 | 19.2 | 16.00 | 13.00 |
| TC4B2422S | YPLC080C16MP13C | 21.0 | CF/CM36D | 875 | 24.0 | 19.5 | 16.00 | 13.00 |

COOLING CAPACITY - With High Efficiency Motor Furnaces¹ (Continued)

| UNIT MODEL | FURNACE | | COIL MODEL ² | COOLING | | | | |
|---------------|-----------------|-------|----------------------------|--------------|---------|-------|-------|-------|
| | MODEL | WIDTH | | RATED CFM | NET MBH | | SEER | EER |
| | | | | | TOTAL | SENS. | | |
| TC4B2422S | YPLC080C16MP13C | 21.0 | CF/CM42D | 875 | 24.0 | 19.1 | 16.00 | 13.00 |
| TC4B2422S | YPLC100C16MP12C | 21.0 | CF/CM/CU36C | 875 | 24.0 | 19.5 | 16.00 | 13.00 |
| TC4B2422S | YPLC100C16MP12C | 21.0 | CF/CM/CU42C | 875 | 24.0 | 19.2 | 16.00 | 13.00 |
| TC4B2422S | YPLC100C16MP12C | 21.0 | CF/CM24C | 875 | 24.0 | 19.5 | 16.00 | 13.00 |
| TC4B2422S | YPLC100C16MP12C | 21.0 | CF/CM30C | 875 | 24.0 | 19.2 | 16.00 | 13.00 |
| TC4B2422S | YPLC100C16MP12C | 21.0 | CF/CM36D | 875 | 24.0 | 19.5 | 16.00 | 13.00 |
| TC4B2422S | YPLC100C16MP12C | 21.0 | CF/CM42D | 875 | 24.0 | 19.1 | 16.00 | 13.00 |
| TC4B2422S | YPLC100C16MP13C | 21.0 | CF/CM/CU36C | 875 | 24.0 | 19.5 | 16.00 | 13.00 |
| TC4B2422S | YPLC100C16MP13C | 21.0 | CF/CM/CU42C | 875 | 24.0 | 19.2 | 16.00 | 13.00 |
| TC4B2422S | YPLC100C16MP13C | 21.0 | CF/CM24C | 875 | 24.0 | 19.5 | 16.00 | 13.00 |
| TC4B2422S | YPLC100C16MP13C | 21.0 | CF/CM30C | 875 | 24.0 | 19.2 | 16.00 | 13.00 |
| TC4B2422S | YPLC100C16MP13C | 21.0 | CF/CM36D | 875 | 24.0 | 19.5 | 16.00 | 13.00 |
| TC4B2422S | YPLC100C16MP13C | 21.0 | CF/CM42D | 875 | 24.0 | 19.1 | 16.00 | 13.00 |
| TC4B3022S | TL8E060A12UH11 | 14.5 | CF/CM/CU30B | 850 | 29.8 | 22.0 | 14.75 | 12.50 |
| TC4B3022S | TL8E060A12UH11 | 14.5 | CF/CM/CU36B | 850 | 30.0 | 22.0 | 15.00 | 12.50 |
| TC4B3022S | TL8E060A12UH11 | 14.5 | CF42B | 850 | 30.0 | 22.0 | 15.00 | 12.50 |
| TC4B3022S | TL8E080C16UH11 | 21.0 | CF/CM/CU36C | 950 | 30.0 | 22.8 | 15.50 | 12.75 |
| TC4B3022S | TL8E080C16UH11 | 21.0 | CF/CM/CU42C | 950 | 30.0 | 23.0 | 15.50 | 12.75 |
| TC4B3022S | TL8E080C16UH11 | 21.0 | CF/CM30C | 925 | 30.0 | 22.8 | 15.25 | 12.50 |
| TC4B3022S | TL8E080C16UH11 | 21.0 | CF/CM36D | 950 | 30.0 | 22.8 | 15.25 | 12.50 |
| TC4B3022S | TL8E080C16UH11 | 21.0 | CF/CM42D | 950 | 30.0 | 23.0 | 15.25 | 12.50 |
| TC4B3022S | TL8E100C20UH11 | 21.0 | CF/CM/CU36C | 1050 | 30.0 | 24.0 | 15.50 | 12.75 |
| TC4B3022S | TL8E100C20UH11 | 21.0 | CF/CM/CU42C | 1050 | 30.0 | 23.8 | 15.50 | 12.75 |
| TC4B3022S | TL8E100C20UH11 | 21.0 | CF/CM30C | 1050 | 30.0 | 24.0 | 15.50 | 12.75 |
| TC4B3022S | TL8E100C20UH11 | 21.0 | CF/CM36D | 1050 | 30.0 | 24.0 | 15.25 | 12.50 |
| TC4B3022S | TL8E100C20UH11 | 21.0 | CF/CM42D | 1050 | 30.0 | 23.8 | 15.50 | 12.75 |
| TC4B3022S | TL9E060B12UH11 | 17.5 | CF/CM/CU30B | 850 | 29.8 | 22.0 | 14.75 | 12.50 |
| TC4B3022S | TL9E060B12UH11 | 17.5 | CF/CM/CU36B | 850 | 30.0 | 22.0 | 15.00 | 12.50 |
| TC4B3022S | TL9E060B12UH11 | 17.5 | CF/CM/CU36C | 875 | 30.0 | 22.2 | 14.75 | 12.50 |
| TC4B3022S | TL9E060B12UH11 | 17.5 | CF/CM/CU42C | 875 | 30.0 | 22.4 | 14.75 | 12.50 |
| TC4B3022S | TL9E060B12UH11 | 17.5 | CF/CM30C | 850 | 29.8 | 22.0 | 14.75 | 12.50 |
| TC4B3022S | TL9E060B12UH11 | 17.5 | CF42B | 850 | 30.0 | 22.0 | 15.00 | 12.50 |
| TC4B3022S | TL9E080C16UH11 | 21.0 | CF/CM/CU36C | 900 | 30.0 | 22.4 | 15.50 | 12.75 |
| TC4B3022S | TL9E080C16UH11 | 21.0 | CF/CM/CU42C | 900 | 30.0 | 22.6 | 15.50 | 12.75 |
| TC4B3022S | TL9E080C16UH11 | 21.0 | CF/CM30C | 900 | 30.0 | 22.6 | 15.25 | 12.50 |
| TC4B3022S | TL9E080C16UH11 | 21.0 | CF/CM36D | 900 | 30.0 | 22.4 | 15.25 | 12.50 |
| TC4B3022S | TL9E080C16UH11 | 21.0 | CF/CM42D | 900 | 30.0 | 22.6 | 15.25 | 12.50 |
| TC4B3022S | TL9E100C20UH11 | 21.0 | CF/CM/CU36C | 1125 | 30.0 | 24.8 | 15.25 | 12.50 |
| TC4B3022S | TL9E100C20UH11 | 21.0 | CF/CM/CU42C | 1125 | 30.0 | 24.6 | 15.50 | 12.75 |
| TC4B3022S | TL9E100C20UH11 | 21.0 | CF/CM30C | 1125 | 30.0 | 24.6 | 15.25 | 12.50 |
| TC4B3022S | TL9E100C20UH11 | 21.0 | CF/CM36D | 1150 | 30.0 | 25.4 | 15.25 | 12.50 |
| TC4B3022S | TL9E100C20UH11 | 21.0 | CF/CM42D | 1150 | 30.0 | 24.8 | 15.25 | 12.50 |
| TC4B3022S | TM8E040A12MP11 | 14.5 | CF/CM/CU30B | 875 | 30.0 | 22.4 | 15.00 | 12.50 |
| TC4B3022S | TM8E040A12MP11 | 14.5 | CF/CM/CU36B | 750 | 29.6 | 20.6 | 15.25 | 12.50 |
| TC4B3022S | TM8E040A12MP11 | 14.5 | CF42B | 750 | 29.6 | 20.8 | 15.00 | 12.50 |
| TC4B3022S | TM8E060A12MP11 | 14.5 | CF/CM/CU30B | 800 | 29.6 | 21.8 | 15.00 | 12.50 |
| TC4B3022S | TM8E060A12MP11 | 14.5 | CF/CM/CU36B | 750 | 29.6 | 20.6 | 15.25 | 12.50 |
| TC4B3022S | TM8E060A12MP11 | 14.5 | CF42B | 800 | 30.0 | 21.6 | 15.00 | 12.50 |
| TC4B3022S | TM8E080B12MP11 | 17.5 | CF/CM/CU30B | 900 | 30.0 | 22.6 | 15.00 | 12.50 |
| TC4B3022S | TM8E080B12MP11 | 17.5 | CF/CM/CU36B | 875 | 30.0 | 22.2 | 15.00 | 12.50 |
| TC4B3022S | TM8E080B12MP11 | 17.5 | CF/CM/CU36C | 900 | 30.0 | 22.4 | 15.00 | 12.50 |
| TC4B3022S | TM8E080B12MP11 | 17.5 | CF/CM/CU42C | 900 | 30.0 | 22.6 | 15.00 | 12.50 |
| TC4B3022S | TM8E080B12MP11 | 17.5 | CF/CM30C | 900 | 30.0 | 22.6 | 15.00 | 12.50 |

COOLING CAPACITY - With High Efficiency Motor Furnaces¹ (Continued)

| UNIT MODEL | FURNACE | | COIL MODEL ² | COOLING | | | | |
|---------------|-----------------|-------|----------------------------|--------------|---------|-------|-------|-------|
| | MODEL | WIDTH | | RATED CFM | NET MBH | | SEER | EER |
| | | | | | TOTAL | SENS. | | |
| TC4B3022S | TM8E080B12MP11 | 17.5 | CF42B | 875 | 30.0 | 22.4 | 15.00 | 12.50 |
| TC4B3022S | TM8E080C16MP11 | 21.0 | CF/CM/CU36C | 800 | 30.0 | 21.4 | 15.50 | 12.75 |
| TC4B3022S | TM8E080C16MP11 | 21.0 | CF/CM/CU42C | 950 | 30.0 | 23.0 | 15.50 | 12.75 |
| TC4B3022S | TM8E080C16MP11 | 21.0 | CF/CM30C | 950 | 30.0 | 23.0 | 15.25 | 12.50 |
| TC4B3022S | TM8E080C16MP11 | 21.0 | CF/CM36D | 950 | 30.0 | 22.8 | 15.25 | 12.50 |
| TC4B3022S | TM8E080C16MP11 | 21.0 | CF/CM42D | 950 | 30.0 | 23.0 | 15.25 | 12.50 |
| TC4B3022S | TM8E100B12MP11 | 17.5 | CF/CM/CU30B | 825 | 29.8 | 21.6 | 15.00 | 12.50 |
| TC4B3022S | TM8E100B12MP11 | 17.5 | CF/CM/CU36B | 825 | 30.0 | 21.6 | 15.25 | 12.50 |
| TC4B3022S | TM8E100B12MP11 | 17.5 | CF/CM/CU36C | 825 | 30.0 | 21.6 | 15.25 | 12.50 |
| TC4B3022S | TM8E100B12MP11 | 17.5 | CF/CM/CU42C | 850 | 30.0 | 22.0 | 15.25 | 12.50 |
| TC4B3022S | TM8E100B12MP11 | 17.5 | CF/CM30C | 825 | 29.8 | 21.6 | 15.00 | 12.50 |
| TC4B3022S | TM8E100B12MP11 | 17.5 | CF42B | 800 | 30.0 | 21.6 | 15.25 | 12.50 |
| TC4B3022S | TM8E100C16MP11 | 21.0 | CF/CM/CU36C | 925 | 30.0 | 22.6 | 15.50 | 12.75 |
| TC4B3022S | TM8E100C16MP11 | 21.0 | CF/CM/CU42C | 925 | 30.0 | 22.8 | 15.50 | 12.75 |
| TC4B3022S | TM8E100C16MP11 | 21.0 | CF/CM30C | 925 | 30.0 | 22.8 | 15.25 | 12.50 |
| TC4B3022S | TM8E100C16MP11 | 21.0 | CF/CM36D | 950 | 30.0 | 22.8 | 15.25 | 12.50 |
| TC4B3022S | TM8E100C16MP11 | 21.0 | CF/CM42D | 950 | 30.0 | 23.0 | 15.50 | 12.75 |
| TC4B3022S | TM8E120C16MP11 | 21.0 | CF/CM/CU36C | 950 | 30.0 | 22.8 | 15.50 | 12.75 |
| TC4B3022S | TM8E120C16MP11 | 21.0 | CF/CM/CU42C | 950 | 30.0 | 23.0 | 15.50 | 12.75 |
| TC4B3022S | TM8E120C16MP11 | 21.0 | CF/CM30C | 950 | 30.0 | 23.0 | 15.25 | 12.50 |
| TC4B3022S | TM8E120C16MP11 | 21.0 | CF/CM36D | 800 | 30.0 | 21.4 | 15.50 | 12.75 |
| TC4B3022S | TM8E120C16MP11 | 21.0 | CF/CM42D | 950 | 30.0 | 23.0 | 15.50 | 12.75 |
| TC4B3022S | TM8V060A12MP11C | 14.5 | CF/CM/CU30A | 875 | 29.8 | 22.2 | 14.50 | 12.50 |
| TC4B3022S | TM8V060A12MP11C | 14.5 | CF/CM/CU30B | 875 | 30.0 | 22.2 | 15.00 | 12.75 |
| TC4B3022S | TM8V060A12MP11C | 14.5 | CF/CM/CU36B | 875 | 30.0 | 22.2 | 15.00 | 13.00 |
| TC4B3022S | TM8V060A12MP11C | 14.5 | CF/CM36A | 875 | 30.0 | 22.2 | 14.75 | 12.75 |
| TC4B3022S | TM8V060A12MP11C | 14.5 | CF42B | 875 | 30.0 | 22.2 | 15.00 | 13.00 |
| TC4B3022S | TM8V060A12MP12C | 14.5 | CF/CM/CU30A | 875 | 29.8 | 22.2 | 14.50 | 12.50 |
| TC4B3022S | TM8V060A12MP12C | 14.5 | CF/CM/CU30B | 875 | 30.0 | 22.2 | 15.00 | 12.75 |
| TC4B3022S | TM8V060A12MP12C | 14.5 | CF/CM/CU36B | 875 | 30.0 | 22.2 | 15.00 | 13.00 |
| TC4B3022S | TM8V060A12MP12C | 14.5 | CF/CM36A | 875 | 30.0 | 22.2 | 14.75 | 12.75 |
| TC4B3022S | TM8V060A12MP12C | 14.5 | CF42B | 875 | 30.0 | 22.2 | 15.00 | 13.00 |
| TC4B3022S | TM8V080B12MP11C | 17.5 | CF/CM/CU30B | 825 | 29.6 | 21.4 | 14.75 | 12.75 |
| TC4B3022S | TM8V080B12MP11C | 17.5 | CF/CM/CU36B | 825 | 30.0 | 21.6 | 14.75 | 12.75 |
| TC4B3022S | TM8V080B12MP11C | 17.5 | CF/CM/CU36C | 825 | 30.0 | 21.6 | 15.00 | 12.75 |
| TC4B3022S | TM8V080B12MP11C | 17.5 | CF/CM/CU42C | 825 | 30.0 | 21.6 | 15.00 | 13.00 |
| TC4B3022S | TM8V080B12MP11C | 17.5 | CF/CM30C | 825 | 29.8 | 21.6 | 14.75 | 12.75 |
| TC4B3022S | TM8V080B12MP11C | 17.5 | CF42B | 825 | 30.0 | 21.6 | 14.75 | 12.75 |
| TC4B3022S | TM8V080B12MP12C | 17.5 | CF/CM/CU30B | 825 | 29.6 | 21.4 | 14.75 | 12.75 |
| TC4B3022S | TM8V080B12MP12C | 17.5 | CF/CM/CU36B | 825 | 30.0 | 21.6 | 14.75 | 12.75 |
| TC4B3022S | TM8V080B12MP12C | 17.5 | CF/CM/CU36C | 825 | 30.0 | 21.6 | 15.00 | 12.75 |
| TC4B3022S | TM8V080B12MP12C | 17.5 | CF/CM/CU42C | 825 | 30.0 | 21.6 | 15.00 | 13.00 |
| TC4B3022S | TM8V080B12MP12C | 17.5 | CF/CM30C | 825 | 29.8 | 21.6 | 14.75 | 12.75 |
| TC4B3022S | TM8V080B12MP12C | 17.5 | CF42B | 825 | 30.0 | 21.6 | 14.75 | 12.75 |
| TC4B3022S | TM8V080C16MP11C | 21.0 | CF/CM/CU36C | 875 | 30.0 | 22.2 | 15.50 | 13.25 |
| TC4B3022S | TM8V080C16MP11C | 21.0 | CF/CM/CU42C | 875 | 30.0 | 22.2 | 15.50 | 13.25 |
| TC4B3022S | TM8V080C16MP11C | 21.0 | CF/CM30C | 875 | 30.0 | 22.2 | 15.25 | 13.00 |
| TC4B3022S | TM8V080C16MP11C | 21.0 | CF/CM36D | 875 | 30.0 | 22.2 | 15.50 | 13.25 |
| TC4B3022S | TM8V080C16MP11C | 21.0 | CF/CM42D | 875 | 30.0 | 22.2 | 15.50 | 13.25 |
| TC4B3022S | TM8V080C16MP12C | 21.0 | CF/CM/CU36C | 875 | 30.0 | 22.2 | 15.50 | 13.25 |
| TC4B3022S | TM8V080C16MP12C | 21.0 | CF/CM/CU42C | 875 | 30.0 | 22.2 | 15.50 | 13.25 |
| TC4B3022S | TM8V080C16MP12C | 21.0 | CF/CM30C | 875 | 30.0 | 22.2 | 15.25 | 13.00 |
| TC4B3022S | TM8V080C16MP12C | 21.0 | CF/CM36D | 875 | 30.0 | 22.2 | 15.50 | 13.25 |
| TC4B3022S | TM8V080C16MP12C | 21.0 | CF/CM42D | 875 | 30.0 | 22.2 | 15.50 | 13.25 |

COOLING CAPACITY - With High Efficiency Motor Furnaces¹ (Continued)

| UNIT MODEL | FURNACE | | COIL MODEL ² | COOLING | | | | |
|---------------|-----------------|-------|----------------------------|--------------|---------|-------|-------|-------|
| | MODEL | WIDTH | | RATED CFM | NET MBH | | SEER | EER |
| | | | | | TOTAL | SENS. | | |
| TC4B3022S | TM8V100C16MP11C | 21.0 | CF/CM/CU36C | 875 | 30.0 | 22.2 | 15.50 | 13.25 |
| TC4B3022S | TM8V100C16MP11C | 21.0 | CF/CM/CU42C | 875 | 30.0 | 22.2 | 15.50 | 13.25 |
| TC4B3022S | TM8V100C16MP11C | 21.0 | CF/CM30C | 875 | 30.0 | 22.2 | 15.25 | 13.00 |
| TC4B3022S | TM8V100C16MP11C | 21.0 | CF/CM36D | 875 | 30.0 | 22.2 | 15.50 | 13.25 |
| TC4B3022S | TM8V100C16MP11C | 21.0 | CF/CM42D | 875 | 30.0 | 22.2 | 15.50 | 13.25 |
| TC4B3022S | TM8V100C16MP12C | 21.0 | CF/CM/CU36C | 875 | 30.0 | 22.2 | 15.50 | 13.25 |
| TC4B3022S | TM8V100C16MP12C | 21.0 | CF/CM/CU42C | 875 | 30.0 | 22.2 | 15.50 | 13.25 |
| TC4B3022S | TM8V100C16MP12C | 21.0 | CF/CM30C | 875 | 30.0 | 22.2 | 15.25 | 13.00 |
| TC4B3022S | TM8V100C16MP12C | 21.0 | CF/CM36D | 875 | 30.0 | 22.2 | 15.50 | 13.25 |
| TC4B3022S | TM8V100C16MP12C | 21.0 | CF/CM42D | 875 | 30.0 | 22.2 | 15.50 | 13.25 |
| TC4B3022S | TM8X060A12MP11 | 14.5 | CF/CM/CU30A | 875 | 29.6 | 22.0 | 14.50 | 12.50 |
| TC4B3022S | TM8X060A12MP11 | 14.5 | CF/CM/CU30B | 925 | 30.0 | 22.8 | 14.75 | 12.75 |
| TC4B3022S | TM8X060A12MP11 | 14.5 | CF/CM/CU36B | 925 | 30.0 | 22.6 | 15.00 | 12.75 |
| TC4B3022S | TM8X060A12MP11 | 14.5 | CF/CM36A | 875 | 30.0 | 22.2 | 14.75 | 12.75 |
| TC4B3022S | TM8X060A12MP11 | 14.5 | CF42B | 925 | 30.0 | 22.8 | 15.00 | 12.75 |
| TC4B3022S | TM8X080B12MP11 | 17.5 | CF/CM/CU30B | 825 | 29.8 | 21.6 | 15.00 | 13.00 |
| TC4B3022S | TM8X080B12MP11 | 17.5 | CF/CM/CU36B | 825 | 30.0 | 21.6 | 15.25 | 13.00 |
| TC4B3022S | TM8X080B12MP11 | 17.5 | CF/CM/CU36C | 825 | 30.0 | 21.6 | 15.25 | 13.00 |
| TC4B3022S | TM8X080B12MP11 | 17.5 | CF/CM/CU42C | 825 | 30.0 | 21.8 | 15.25 | 13.25 |
| TC4B3022S | TM8X080B12MP11 | 17.5 | CF/CM30C | 825 | 29.8 | 21.6 | 15.00 | 13.00 |
| TC4B3022S | TM8X080B12MP11 | 17.5 | CF42B | 950 | 30.0 | 23.0 | 15.00 | 13.00 |
| TC4B3022S | TM8X080C16MP11 | 21.0 | CF/CM/CU36C | 950 | 30.0 | 23.0 | 15.25 | 13.25 |
| TC4B3022S | TM8X080C16MP11 | 21.0 | CF/CM/CU42C | 950 | 30.0 | 22.8 | 15.50 | 13.25 |
| TC4B3022S | TM8X080C16MP11 | 21.0 | CF/CM30C | 950 | 30.0 | 23.2 | 15.25 | 13.00 |
| TC4B3022S | TM8X080C16MP11 | 21.0 | CF/CM36D | 975 | 30.0 | 23.0 | 15.50 | 13.25 |
| TC4B3022S | TM8X080C16MP11 | 21.0 | CF/CM42D | 975 | 30.0 | 23.2 | 15.50 | 13.25 |
| TC4B3022S | TM8X100C16MP11 | 21.0 | CF/CM/CU36C | 950 | 30.0 | 23.0 | 15.25 | 13.25 |
| TC4B3022S | TM8X100C16MP11 | 21.0 | CF/CM/CU42C | 950 | 30.0 | 22.8 | 15.50 | 13.25 |
| TC4B3022S | TM8X100C16MP11 | 21.0 | CF/CM30C | 950 | 30.0 | 23.2 | 15.25 | 13.00 |
| TC4B3022S | TM8X100C16MP11 | 21.0 | CF/CM36D | 975 | 30.0 | 23.0 | 15.50 | 13.25 |
| TC4B3022S | TM8X100C16MP11 | 21.0 | CF/CM42D | 975 | 30.0 | 23.2 | 15.50 | 13.25 |
| TC4B3022S | TM8X100C20MP11 | 21.0 | CF/CM/CU36C | 1000 | 30.0 | 23.4 | 15.50 | 13.25 |
| TC4B3022S | TM8X100C20MP11 | 21.0 | CF/CM/CU42C | 1000 | 30.0 | 23.4 | 15.75 | 13.25 |
| TC4B3022S | TM8X100C20MP11 | 21.0 | CF/CM30C | 1000 | 30.0 | 23.6 | 15.50 | 13.25 |
| TC4B3022S | TM8X100C20MP11 | 21.0 | CF/CM36D | 1000 | 30.0 | 23.4 | 15.50 | 13.25 |
| TC4B3022S | TM8X100C20MP11 | 21.0 | CF/CM42D | 1000 | 30.0 | 23.4 | 15.75 | 13.25 |
| TC4B3022S | TM8X120C20MP11 | 21.0 | CF/CM/CU36C | 1000 | 30.0 | 23.4 | 15.50 | 13.25 |
| TC4B3022S | TM8X120C20MP11 | 21.0 | CF/CM/CU42C | 1000 | 30.0 | 23.4 | 15.75 | 13.25 |
| TC4B3022S | TM8X120C20MP11 | 21.0 | CF/CM30C | 1000 | 30.0 | 23.6 | 15.50 | 13.25 |
| TC4B3022S | TM8X120C20MP11 | 21.0 | CF/CM36D | 1000 | 30.0 | 23.4 | 15.50 | 13.25 |
| TC4B3022S | TM8X120C20MP11 | 21.0 | CF/CM42D | 1000 | 30.0 | 23.4 | 15.75 | 13.25 |
| TC4B3022S | TM8Y060A12MP11 | 14.5 | CF/CM/CU30A | 875 | 29.6 | 22.0 | 14.50 | 12.50 |
| TC4B3022S | TM8Y060A12MP11 | 14.5 | CF/CM/CU30B | 925 | 30.0 | 22.8 | 14.75 | 12.75 |
| TC4B3022S | TM8Y060A12MP11 | 14.5 | CF/CM/CU36B | 925 | 30.0 | 22.6 | 15.00 | 12.75 |
| TC4B3022S | TM8Y060A12MP11 | 14.5 | CF/CM36A | 875 | 30.0 | 22.2 | 14.75 | 12.75 |
| TC4B3022S | TM8Y060A12MP11 | 14.5 | CF42B | 925 | 30.0 | 22.8 | 15.00 | 12.75 |
| TC4B3022S | TM8Y080B12MP11 | 17.5 | CF/CM/CU30B | 825 | 29.8 | 21.6 | 15.00 | 13.00 |
| TC4B3022S | TM8Y080B12MP11 | 17.5 | CF/CM/CU36B | 825 | 30.0 | 21.6 | 15.25 | 13.00 |
| TC4B3022S | TM8Y080B12MP11 | 17.5 | CF/CM/CU36C | 825 | 30.0 | 21.6 | 15.25 | 13.00 |
| TC4B3022S | TM8Y080B12MP11 | 17.5 | CF/CM/CU42C | 825 | 30.0 | 21.8 | 15.25 | 13.25 |
| TC4B3022S | TM8Y080B12MP11 | 17.5 | CF/CM30C | 825 | 29.8 | 21.6 | 15.00 | 13.00 |
| TC4B3022S | TM8Y080B12MP11 | 17.5 | CF42B | 950 | 30.0 | 23.0 | 15.00 | 13.00 |
| TC4B3022S | TM8Y080C16MP11 | 21.0 | CF/CM/CU36C | 950 | 30.0 | 23.0 | 15.25 | 13.25 |

COOLING CAPACITY - With High Efficiency Motor Furnaces¹ (Continued)

| UNIT MODEL | FURNACE | | COIL MODEL ² | COOLING | | | | |
|---------------|----------------|-------|----------------------------|--------------|---------|-------|-------|-------|
| | MODEL | WIDTH | | RATED CFM | NET MBH | | SEER | EER |
| | | | | | TOTAL | SENS. | | |
| TC4B3022S | TM8Y080C16MP11 | 21.0 | CF/CM/CU42C | 950 | 30.0 | 22.8 | 15.50 | 13.25 |
| TC4B3022S | TM8Y080C16MP11 | 21.0 | CF/CM30C | 950 | 30.0 | 23.2 | 15.25 | 13.00 |
| TC4B3022S | TM8Y080C16MP11 | 21.0 | CF/CM36D | 975 | 30.0 | 23.0 | 15.50 | 13.25 |
| TC4B3022S | TM8Y080C16MP11 | 21.0 | CF/CM42D | 975 | 30.0 | 23.2 | 15.50 | 13.25 |
| TC4B3022S | TM8Y100C16MP11 | 21.0 | CF/CM/CU36C | 950 | 30.0 | 23.0 | 15.25 | 13.25 |
| TC4B3022S | TM8Y100C16MP11 | 21.0 | CF/CM/CU42C | 950 | 30.0 | 22.8 | 15.50 | 13.25 |
| TC4B3022S | TM8Y100C16MP11 | 21.0 | CF/CM30C | 950 | 30.0 | 23.2 | 15.25 | 13.00 |
| TC4B3022S | TM8Y100C16MP11 | 21.0 | CF/CM36D | 975 | 30.0 | 23.0 | 15.50 | 13.25 |
| TC4B3022S | TM8Y100C16MP11 | 21.0 | CF/CM42D | 975 | 30.0 | 23.2 | 15.50 | 13.25 |
| TC4B3022S | TM8Y100C20MP11 | 21.0 | CF/CM/CU36C | 1000 | 30.0 | 23.4 | 15.50 | 13.25 |
| TC4B3022S | TM8Y100C20MP11 | 21.0 | CF/CM/CU42C | 1000 | 30.0 | 23.4 | 15.75 | 13.25 |
| TC4B3022S | TM8Y100C20MP11 | 21.0 | CF/CM30C | 1000 | 30.0 | 23.6 | 15.50 | 13.25 |
| TC4B3022S | TM8Y100C20MP11 | 21.0 | CF/CM36D | 1000 | 30.0 | 23.4 | 15.50 | 13.25 |
| TC4B3022S | TM8Y100C20MP11 | 21.0 | CF/CM42D | 1000 | 30.0 | 23.4 | 15.75 | 13.25 |
| TC4B3022S | TM8Y120C20MP11 | 21.0 | CF/CM/CU36C | 1000 | 30.0 | 23.4 | 15.50 | 13.25 |
| TC4B3022S | TM8Y120C20MP11 | 21.0 | CF/CM/CU42C | 1000 | 30.0 | 23.4 | 15.75 | 13.25 |
| TC4B3022S | TM8Y120C20MP11 | 21.0 | CF/CM30C | 1000 | 30.0 | 23.6 | 15.50 | 13.25 |
| TC4B3022S | TM8Y120C20MP11 | 21.0 | CF/CM36D | 1000 | 30.0 | 23.4 | 15.50 | 13.25 |
| TC4B3022S | TM8Y120C20MP11 | 21.0 | CF/CM42D | 1000 | 30.0 | 23.4 | 15.75 | 13.25 |
| TC4B3022S | TM9E040A10MP12 | 14.5 | CF/CM/CU30B | 800 | 29.4 | 21.6 | 14.25 | 12.25 |
| TC4B3022S | TM9E040A10MP12 | 14.5 | CF/CM/CU36B | 800 | 29.6 | 21.2 | 14.50 | 12.50 |
| TC4B3022S | TM9E040A10MP12 | 14.5 | CF42B | 800 | 29.8 | 21.4 | 14.50 | 12.50 |
| TC4B3022S | TM9E060A10MP12 | 14.5 | CF/CM/CU30B | 825 | 29.8 | 21.8 | 14.50 | 12.50 |
| TC4B3022S | TM9E060A10MP12 | 14.5 | CF/CM/CU36B | 825 | 30.0 | 21.6 | 14.75 | 12.50 |
| TC4B3022S | TM9E060A10MP12 | 14.5 | CF42B | 825 | 29.8 | 21.6 | 14.75 | 12.50 |
| TC4B3022S | TM9E060B12MP11 | 17.5 | CF/CM/CU30B | 850 | 29.8 | 22.0 | 14.75 | 12.75 |
| TC4B3022S | TM9E060B12MP11 | 17.5 | CF/CM/CU36B | 850 | 30.0 | 22.0 | 15.00 | 12.75 |
| TC4B3022S | TM9E060B12MP11 | 17.5 | CF/CM/CU36C | 875 | 30.0 | 22.2 | 15.00 | 12.75 |
| TC4B3022S | TM9E060B12MP11 | 17.5 | CF/CM/CU42C | 875 | 30.0 | 22.4 | 15.00 | 12.75 |
| TC4B3022S | TM9E060B12MP11 | 17.5 | CF/CM30C | 875 | 30.0 | 22.2 | 14.75 | 12.75 |
| TC4B3022S | TM9E060B12MP11 | 17.5 | CF42B | 850 | 30.0 | 22.2 | 15.00 | 12.75 |
| TC4B3022S | TM9E060B12MP12 | 17.5 | CF/CM/CU30B | 925 | 30.0 | 22.8 | 14.50 | 12.50 |
| TC4B3022S | TM9E060B12MP12 | 17.5 | CF/CM/CU36B | 925 | 30.0 | 22.8 | 14.75 | 12.50 |
| TC4B3022S | TM9E060B12MP12 | 17.5 | CF/CM/CU36C | 950 | 30.0 | 22.8 | 14.75 | 12.50 |
| TC4B3022S | TM9E060B12MP12 | 17.5 | CF/CM/CU42C | 950 | 30.0 | 23.0 | 14.75 | 12.50 |
| TC4B3022S | TM9E060B12MP12 | 17.5 | CF/CM30C | 950 | 30.0 | 23.0 | 14.50 | 12.50 |
| TC4B3022S | TM9E060B12MP12 | 17.5 | CF42B | 925 | 30.0 | 22.8 | 14.75 | 12.50 |
| TC4B3022S | TM9E080B12MP11 | 17.5 | CF/CM/CU30B | 875 | 30.0 | 22.2 | 15.00 | 12.75 |
| TC4B3022S | TM9E080B12MP11 | 17.5 | CF/CM/CU36B | 875 | 30.0 | 22.2 | 15.00 | 13.00 |
| TC4B3022S | TM9E080B12MP11 | 17.5 | CF/CM/CU36C | 900 | 30.0 | 22.4 | 15.25 | 13.00 |
| TC4B3022S | TM9E080B12MP11 | 17.5 | CF/CM/CU42C | 900 | 30.0 | 22.6 | 15.25 | 13.00 |
| TC4B3022S | TM9E080B12MP11 | 17.5 | CF/CM30C | 900 | 30.0 | 22.6 | 15.00 | 13.00 |
| TC4B3022S | TM9E080B12MP11 | 17.5 | CF42B | 875 | 30.0 | 22.2 | 15.00 | 13.00 |
| TC4B3022S | TM9E080B12MP12 | 17.5 | CF/CM/CU30B | 775 | 29.4 | 21.0 | 15.00 | 12.50 |
| TC4B3022S | TM9E080B12MP12 | 17.5 | CF/CM/CU36B | 775 | 29.8 | 21.0 | 15.25 | 12.50 |
| TC4B3022S | TM9E080B12MP12 | 17.5 | CF/CM/CU36C | 800 | 30.0 | 21.4 | 15.25 | 12.50 |
| TC4B3022S | TM9E080B12MP12 | 17.5 | CF/CM/CU42C | 800 | 30.0 | 21.6 | 15.25 | 12.50 |
| TC4B3022S | TM9E080B12MP12 | 17.5 | CF/CM30C | 800 | 29.6 | 21.8 | 15.00 | 12.50 |
| TC4B3022S | TM9E080B12MP12 | 17.5 | CF42B | 775 | 29.8 | 21.2 | 15.25 | 12.50 |
| TC4B3022S | TM9E080C16MP11 | 21.0 | CF/CM/CU36C | 975 | 30.0 | 23.2 | 15.25 | 13.00 |
| TC4B3022S | TM9E080C16MP11 | 21.0 | CF/CM/CU42C | 975 | 30.0 | 23.2 | 15.25 | 13.25 |
| TC4B3022S | TM9E080C16MP11 | 21.0 | CF/CM30C | 975 | 30.0 | 23.2 | 15.00 | 13.00 |
| TC4B3022S | TM9E080C16MP11 | 21.0 | CF/CM36D | 975 | 30.0 | 23.2 | 15.25 | 13.00 |
| TC4B3022S | TM9E080C16MP11 | 21.0 | CF/CM42D | 975 | 30.0 | 23.2 | 15.25 | 13.25 |

COOLING CAPACITY - With High Efficiency Motor Furnaces¹ (Continued)

| UNIT MODEL | FURNACE | | COIL MODEL ² | COOLING | | | | |
|---------------|-----------------|-------|----------------------------|--------------|---------|-------|-------|-------|
| | MODEL | WIDTH | | RATED CFM | NET MBH | | SEER | EER |
| | | | | | TOTAL | SENS. | | |
| TC4B3022S | TM9E080C16MP12 | 21.0 | CF/CM/CU36C | 875 | 30.0 | 22.2 | 15.25 | 12.50 |
| TC4B3022S | TM9E080C16MP12 | 21.0 | CF/CM/CU42C | 875 | 30.0 | 22.2 | 15.25 | 12.50 |
| TC4B3022S | TM9E080C16MP12 | 21.0 | CF/CM30C | 875 | 30.0 | 22.2 | 15.25 | 12.50 |
| TC4B3022S | TM9E080C16MP12 | 21.0 | CF/CM36D | 900 | 30.0 | 22.4 | 15.25 | 12.50 |
| TC4B3022S | TM9E080C16MP12 | 21.0 | CF/CM42D | 900 | 30.0 | 22.6 | 15.25 | 12.50 |
| TC4B3022S | TM9E100C16MP11 | 21.0 | CF/CM/CU36C | 975 | 30.0 | 23.2 | 15.25 | 13.00 |
| TC4B3022S | TM9E100C16MP11 | 21.0 | CF/CM/CU42C | 975 | 30.0 | 23.2 | 15.25 | 13.25 |
| TC4B3022S | TM9E100C16MP11 | 21.0 | CF/CM30C | 975 | 30.0 | 23.2 | 15.00 | 13.00 |
| TC4B3022S | TM9E100C16MP11 | 21.0 | CF/CM36D | 1000 | 30.0 | 23.2 | 15.25 | 13.25 |
| TC4B3022S | TM9E100C16MP11 | 21.0 | CF/CM42D | 1000 | 30.0 | 23.4 | 15.50 | 13.25 |
| TC4B3022S | TM9E100C16MP12 | 21.0 | CF/CM/CU36C | 750 | 29.6 | 20.6 | 15.50 | 12.75 |
| TC4B3022S | TM9E100C16MP12 | 21.0 | CF/CM/CU42C | 925 | 30.0 | 22.8 | 15.50 | 12.75 |
| TC4B3022S | TM9E100C16MP12 | 21.0 | CF/CM30C | 925 | 30.0 | 22.8 | 15.25 | 12.50 |
| TC4B3022S | TM9E100C16MP12 | 21.0 | CF/CM36D | 775 | 29.8 | 21.0 | 15.25 | 12.50 |
| TC4B3022S | TM9E100C16MP12 | 21.0 | CF/CM42D | 775 | 29.8 | 21.2 | 15.25 | 12.50 |
| TC4B3022S | TM9E100C20MP12 | 21.0 | CF/CM/CU36C | 1200 | 30.0 | 25.4 | 15.00 | 12.50 |
| TC4B3022S | TM9E120D20MP11 | 24.5 | CF/CM36D | 950 | 30.0 | 23.0 | 15.50 | 13.25 |
| TC4B3022S | TM9E120D20MP11 | 24.5 | CF/CM42D | 950 | 30.0 | 22.8 | 15.75 | 13.25 |
| TC4B3022S | TM9V040A10MP12C | 14.5 | CF/CM/CU30A | 875 | 29.4 | 21.8 | 14.00 | 12.00 |
| TC4B3022S | TM9V040A10MP12C | 14.5 | CF/CM/CU30B | 875 | 29.8 | 22.2 | 14.00 | 12.25 |
| TC4B3022S | TM9V040A10MP12C | 14.5 | CF/CM/CU36B | 875 | 30.0 | 22.2 | 14.25 | 12.25 |
| TC4B3022S | TM9V040A10MP12C | 14.5 | CF/CM36A | 875 | 30.0 | 22.2 | 14.00 | 12.25 |
| TC4B3022S | TM9V040A10MP12C | 14.5 | CF42B | 900 | 30.0 | 22.6 | 14.25 | 12.25 |
| TC4B3022S | TM9V060B12MP12C | 17.5 | CF/CM/CU30B | 875 | 30.0 | 22.4 | 14.75 | 12.50 |
| TC4B3022S | TM9V060B12MP12C | 17.5 | CF/CM/CU36B | 875 | 30.0 | 22.2 | 14.75 | 12.75 |
| TC4B3022S | TM9V060B12MP12C | 17.5 | CF/CM/CU36C | 875 | 30.0 | 22.2 | 15.00 | 12.75 |
| TC4B3022S | TM9V060B12MP12C | 17.5 | CF/CM/CU42C | 875 | 30.0 | 22.4 | 15.00 | 12.75 |
| TC4B3022S | TM9V060B12MP12C | 17.5 | CF/CM30C | 875 | 30.0 | 22.2 | 14.75 | 12.75 |
| TC4B3022S | TM9V060B12MP12C | 17.5 | CF42B | 875 | 30.0 | 22.2 | 14.75 | 12.75 |
| TC4B3022S | TM9V080B12MP11C | 17.5 | CF/CM/CU30B | 850 | 30.0 | 22.0 | 15.00 | 12.75 |
| TC4B3022S | TM9V080B12MP11C | 17.5 | CF/CM/CU36B | 850 | 30.0 | 22.0 | 15.00 | 13.00 |
| TC4B3022S | TM9V080B12MP11C | 17.5 | CF/CM/CU36C | 850 | 30.0 | 22.0 | 15.25 | 13.00 |
| TC4B3022S | TM9V080B12MP11C | 17.5 | CF/CM/CU42C | 850 | 30.0 | 22.2 | 15.25 | 13.00 |
| TC4B3022S | TM9V080B12MP11C | 17.5 | CF/CM30C | 850 | 30.0 | 22.0 | 15.00 | 13.00 |
| TC4B3022S | TM9V080B12MP11C | 17.5 | CF42B | 850 | 30.0 | 22.2 | 15.00 | 13.00 |
| TC4B3022S | TM9V080B12MP12C | 17.5 | CF/CM/CU30B | 850 | 30.0 | 22.0 | 15.00 | 12.75 |
| TC4B3022S | TM9V080B12MP12C | 17.5 | CF/CM/CU36B | 850 | 30.0 | 22.0 | 15.00 | 13.00 |
| TC4B3022S | TM9V080B12MP12C | 17.5 | CF/CM/CU36C | 850 | 30.0 | 22.0 | 15.25 | 13.00 |
| TC4B3022S | TM9V080B12MP12C | 17.5 | CF/CM/CU42C | 850 | 30.0 | 22.2 | 15.25 | 13.00 |
| TC4B3022S | TM9V080B12MP12C | 17.5 | CF/CM30C | 850 | 30.0 | 22.0 | 15.00 | 13.00 |
| TC4B3022S | TM9V080B12MP12C | 17.5 | CF42B | 850 | 30.0 | 22.2 | 15.00 | 13.00 |
| TC4B3022S | TM9V080C16MP11C | 21.0 | CF/CM/CU36C | 950 | 30.0 | 23.0 | 15.25 | 13.00 |
| TC4B3022S | TM9V080C16MP11C | 21.0 | CF/CM/CU42C | 950 | 30.0 | 22.8 | 15.25 | 13.00 |
| TC4B3022S | TM9V080C16MP11C | 21.0 | CF/CM30C | 950 | 30.0 | 23.0 | 15.00 | 13.00 |
| TC4B3022S | TM9V080C16MP11C | 21.0 | CF/CM36D | 950 | 30.0 | 23.0 | 15.25 | 13.00 |
| TC4B3022S | TM9V080C16MP11C | 21.0 | CF/CM42D | 950 | 30.0 | 22.8 | 15.25 | 13.25 |
| TC4B3022S | TM9V080C16MP12C | 21.0 | CF/CM/CU36C | 950 | 30.0 | 23.0 | 15.25 | 13.00 |
| TC4B3022S | TM9V080C16MP12C | 21.0 | CF/CM/CU42C | 950 | 30.0 | 22.8 | 15.25 | 13.00 |
| TC4B3022S | TM9V080C16MP12C | 21.0 | CF/CM30C | 950 | 30.0 | 23.0 | 15.00 | 13.00 |
| TC4B3022S | TM9V080C16MP12C | 21.0 | CF/CM36D | 950 | 30.0 | 23.0 | 15.25 | 13.00 |
| TC4B3022S | TM9V080C16MP12C | 21.0 | CF/CM42D | 950 | 30.0 | 22.8 | 15.25 | 13.25 |
| TC4B3022S | TM9V100C16MP11C | 21.0 | CF/CM/CU36C | 900 | 30.0 | 22.4 | 15.50 | 13.25 |
| TC4B3022S | TM9V100C16MP11C | 21.0 | CF/CM/CU42C | 900 | 30.0 | 22.6 | 15.50 | 13.25 |

COOLING CAPACITY - With High Efficiency Motor Furnaces¹ (Continued)

| UNIT MODEL | FURNACE | | COIL MODEL ² | COOLING | | | | |
|---------------|-----------------|-------|----------------------------|--------------|---------|-------|-------|-------|
| | MODEL | WIDTH | | RATED CFM | NET MBH | | SEER | EER |
| | | | | | TOTAL | SENS. | | |
| TC4B3022S | TM9V100C16MP11C | 21.0 | CF/CM30C | 900 | 30.0 | 22.6 | 15.25 | 13.00 |
| TC4B3022S | TM9V100C16MP11C | 21.0 | CF/CM36D | 900 | 30.0 | 22.4 | 15.50 | 13.25 |
| TC4B3022S | TM9V100C16MP11C | 21.0 | CF/CM42D | 900 | 30.0 | 22.6 | 15.50 | 13.25 |
| TC4B3022S | TM9V100C16MP12C | 21.0 | CF/CM/CU36C | 900 | 30.0 | 22.4 | 15.50 | 13.25 |
| TC4B3022S | TM9V100C16MP12C | 21.0 | CF/CM/CU42C | 900 | 30.0 | 22.6 | 15.50 | 13.25 |
| TC4B3022S | TM9V100C16MP12C | 21.0 | CF/CM30C | 900 | 30.0 | 22.6 | 15.25 | 13.00 |
| TC4B3022S | TM9V100C16MP12C | 21.0 | CF/CM36D | 900 | 30.0 | 22.4 | 15.50 | 13.25 |
| TC4B3022S | TM9V100C16MP12C | 21.0 | CF/CM42D | 900 | 30.0 | 22.6 | 15.50 | 13.25 |
| TC4B3022S | TM9V100C20MP11C | 21.0 | CF/CM/CU36C | 1100 | 30.0 | 24.4 | 15.00 | 13.00 |
| TC4B3022S | TM9V100C20MP11C | 21.0 | CF/CM/CU42C | 1100 | 30.0 | 24.6 | 15.00 | 13.00 |
| TC4B3022S | TM9V100C20MP11C | 21.0 | CF/CM30C | 1100 | 30.0 | 24.2 | 15.00 | 12.75 |
| TC4B3022S | TM9V100C20MP11C | 21.0 | CF/CM36D | 1100 | 30.0 | 24.4 | 15.25 | 13.00 |
| TC4B3022S | TM9V100C20MP11C | 21.0 | CF/CM42D | 1100 | 30.0 | 24.6 | 15.00 | 13.00 |
| TC4B3022S | TM9V100C20MP12C | 21.0 | CF/CM/CU36C | 1100 | 30.0 | 24.4 | 15.00 | 13.00 |
| TC4B3022S | TM9V100C20MP12C | 21.0 | CF/CM/CU42C | 1100 | 30.0 | 24.6 | 15.00 | 13.00 |
| TC4B3022S | TM9V100C20MP12C | 21.0 | CF/CM30C | 1100 | 30.0 | 24.2 | 15.00 | 12.75 |
| TC4B3022S | TM9V100C20MP12C | 21.0 | CF/CM36D | 1100 | 30.0 | 24.4 | 15.25 | 13.00 |
| TC4B3022S | TM9V100C20MP12C | 21.0 | CF/CM42D | 1100 | 30.0 | 24.6 | 15.00 | 13.00 |
| TC4B3022S | TM9V120D20MP11C | 24.5 | CF/CM36D | 1050 | 30.0 | 24.0 | 15.50 | 13.25 |
| TC4B3022S | TM9V120D20MP11C | 24.5 | CF/CM42D | 1050 | 30.0 | 23.8 | 15.50 | 13.25 |
| TC4B3022S | TM9V120D20MP12C | 24.5 | CF/CM36D | 1050 | 30.0 | 24.0 | 15.50 | 13.25 |
| TC4B3022S | TM9V120D20MP12C | 24.5 | CF/CM42D | 1050 | 30.0 | 23.8 | 15.50 | 13.25 |
| TC4B3022S | TM9Y060B12MP11 | 17.5 | CF/CM/CU30B | 850 | 29.8 | 22.0 | 14.75 | 12.75 |
| TC4B3022S | TM9Y060B12MP11 | 17.5 | CF/CM/CU36B | 850 | 30.0 | 22.0 | 15.00 | 12.75 |
| TC4B3022S | TM9Y060B12MP11 | 17.5 | CF/CM/CU36C | 875 | 30.0 | 22.2 | 15.00 | 12.75 |
| TC4B3022S | TM9Y060B12MP11 | 17.5 | CF/CM/CU42C | 875 | 30.0 | 22.4 | 15.00 | 12.75 |
| TC4B3022S | TM9Y060B12MP11 | 17.5 | CF/CM30C | 875 | 30.0 | 22.2 | 14.75 | 12.75 |
| TC4B3022S | TM9Y060B12MP11 | 17.5 | CF42B | 850 | 30.0 | 22.2 | 15.00 | 12.75 |
| TC4B3022S | TM9Y080B12MP11 | 17.5 | CF/CM/CU30B | 875 | 30.0 | 22.2 | 15.00 | 12.75 |
| TC4B3022S | TM9Y080B12MP11 | 17.5 | CF/CM/CU36B | 875 | 30.0 | 22.2 | 15.00 | 13.00 |
| TC4B3022S | TM9Y080B12MP11 | 17.5 | CF/CM/CU36C | 900 | 30.0 | 22.4 | 15.25 | 13.00 |
| TC4B3022S | TM9Y080B12MP11 | 17.5 | CF/CM/CU42C | 900 | 30.0 | 22.6 | 15.25 | 13.00 |
| TC4B3022S | TM9Y080B12MP11 | 17.5 | CF/CM30C | 900 | 30.0 | 22.6 | 15.00 | 13.00 |
| TC4B3022S | TM9Y080B12MP11 | 17.5 | CF42B | 875 | 30.0 | 22.2 | 15.00 | 13.00 |
| TC4B3022S | TM9Y080C16MP11 | 21.0 | CF/CM/CU36C | 975 | 30.0 | 23.2 | 15.25 | 13.00 |
| TC4B3022S | TM9Y080C16MP11 | 21.0 | CF/CM/CU42C | 975 | 30.0 | 23.2 | 15.25 | 13.25 |
| TC4B3022S | TM9Y080C16MP11 | 21.0 | CF/CM30C | 975 | 30.0 | 23.2 | 15.00 | 13.00 |
| TC4B3022S | TM9Y080C16MP11 | 21.0 | CF/CM36D | 975 | 30.0 | 23.2 | 15.25 | 13.00 |
| TC4B3022S | TM9Y080C16MP11 | 21.0 | CF/CM42D | 975 | 30.0 | 23.2 | 15.25 | 13.25 |
| TC4B3022S | TM9Y100C16MP11 | 21.0 | CF/CM/CU36C | 975 | 30.0 | 23.2 | 15.25 | 13.00 |
| TC4B3022S | TM9Y100C16MP11 | 21.0 | CF/CM/CU42C | 975 | 30.0 | 23.2 | 15.25 | 13.25 |
| TC4B3022S | TM9Y100C16MP11 | 21.0 | CF/CM30C | 975 | 30.0 | 23.2 | 15.00 | 13.00 |
| TC4B3022S | TM9Y100C16MP11 | 21.0 | CF/CM36D | 1000 | 30.0 | 23.2 | 15.25 | 13.25 |
| TC4B3022S | TM9Y100C16MP11 | 21.0 | CF/CM42D | 1000 | 30.0 | 23.4 | 15.50 | 13.25 |
| TC4B3022S | TM9Y120D20MP11 | 24.5 | CF/CM36D | 950 | 30.0 | 23.0 | 15.50 | 13.25 |
| TC4B3022S | TM9Y120D20MP11 | 24.5 | CF/CM42D | 950 | 30.0 | 22.8 | 15.75 | 13.25 |
| TC4B3022S | TMLV060A12MP11C | 14.5 | CF/CM/CU30A | 875 | 29.8 | 22.2 | 14.50 | 12.50 |
| TC4B3022S | TMLV060A12MP11C | 14.5 | CF/CM/CU30B | 875 | 30.0 | 22.2 | 15.00 | 12.75 |
| TC4B3022S | TMLV060A12MP11C | 14.5 | CF/CM/CU36B | 875 | 30.0 | 22.2 | 15.00 | 13.00 |
| TC4B3022S | TMLV060A12MP11C | 14.5 | CF/CM36A | 875 | 30.0 | 22.2 | 14.75 | 12.75 |
| TC4B3022S | TMLV060A12MP11C | 14.5 | CF42B | 875 | 30.0 | 22.2 | 15.00 | 13.00 |
| TC4B3022S | TMLV060A12MP12C | 14.5 | CF/CM/CU30A | 875 | 29.8 | 22.2 | 14.50 | 12.50 |
| TC4B3022S | TMLV060A12MP12C | 14.5 | CF/CM/CU30B | 875 | 30.0 | 22.2 | 15.00 | 12.75 |

COOLING CAPACITY - With High Efficiency Motor Furnaces¹ (Continued)

| UNIT MODEL | FURNACE | | COIL MODEL ² | COOLING | | | | |
|---------------|-----------------|-------|----------------------------|--------------|---------|-------|-------|-------|
| | MODEL | WIDTH | | RATED CFM | NET MBH | | SEER | EER |
| | | | | | TOTAL | SENS. | | |
| TC4B3022S | TMLV060A12MP12C | 14.5 | CF/CM/CU36B | 875 | 30.0 | 22.2 | 15.00 | 13.00 |
| TC4B3022S | TMLV060A12MP12C | 14.5 | CF/CM36A | 875 | 30.0 | 22.2 | 14.75 | 12.75 |
| TC4B3022S | TMLV060A12MP12C | 14.5 | CF42B | 875 | 30.0 | 22.2 | 15.00 | 13.00 |
| TC4B3022S | TMLV080B12MP11C | 17.5 | CF/CM/CU30B | 825 | 29.6 | 21.4 | 14.75 | 12.75 |
| TC4B3022S | TMLV080B12MP11C | 17.5 | CF/CM/CU36B | 825 | 30.0 | 21.6 | 14.75 | 12.75 |
| TC4B3022S | TMLV080B12MP11C | 17.5 | CF/CM/CU36C | 825 | 30.0 | 21.6 | 15.00 | 12.75 |
| TC4B3022S | TMLV080B12MP11C | 17.5 | CF/CM/CU42C | 825 | 30.0 | 21.6 | 15.00 | 13.00 |
| TC4B3022S | TMLV080B12MP11C | 17.5 | CF/CM30C | 825 | 29.8 | 21.6 | 14.75 | 12.75 |
| TC4B3022S | TMLV080B12MP11C | 17.5 | CF42B | 825 | 30.0 | 21.6 | 14.75 | 12.75 |
| TC4B3022S | TMLV080B12MP12C | 17.5 | CF/CM/CU30B | 825 | 29.6 | 21.4 | 14.75 | 12.75 |
| TC4B3022S | TMLV080B12MP12C | 17.5 | CF/CM/CU36B | 825 | 30.0 | 21.6 | 14.75 | 12.75 |
| TC4B3022S | TMLV080B12MP12C | 17.5 | CF/CM/CU36C | 825 | 30.0 | 21.6 | 15.00 | 12.75 |
| TC4B3022S | TMLV080B12MP12C | 17.5 | CF/CM/CU42C | 825 | 30.0 | 21.6 | 15.00 | 13.00 |
| TC4B3022S | TMLV080B12MP12C | 17.5 | CF/CM30C | 825 | 29.8 | 21.6 | 14.75 | 12.75 |
| TC4B3022S | TMLV080B12MP12C | 17.5 | CF42B | 825 | 30.0 | 21.6 | 14.75 | 12.75 |
| TC4B3022S | TMLV080C16MP11C | 21.0 | CF/CM/CU36C | 875 | 30.0 | 22.2 | 15.50 | 13.25 |
| TC4B3022S | TMLV080C16MP11C | 21.0 | CF/CM/CU42C | 875 | 30.0 | 22.2 | 15.50 | 13.25 |
| TC4B3022S | TMLV080C16MP11C | 21.0 | CF/CM30C | 875 | 30.0 | 22.2 | 15.25 | 13.00 |
| TC4B3022S | TMLV080C16MP11C | 21.0 | CF/CM36D | 875 | 30.0 | 22.2 | 15.50 | 13.25 |
| TC4B3022S | TMLV080C16MP11C | 21.0 | CF/CM42D | 875 | 30.0 | 22.2 | 15.50 | 13.25 |
| TC4B3022S | TMLV080C16MP12C | 21.0 | CF/CM/CU36C | 875 | 30.0 | 22.2 | 15.50 | 13.25 |
| TC4B3022S | TMLV080C16MP12C | 21.0 | CF/CM/CU42C | 875 | 30.0 | 22.2 | 15.50 | 13.25 |
| TC4B3022S | TMLV080C16MP12C | 21.0 | CF/CM30C | 875 | 30.0 | 22.2 | 15.25 | 13.00 |
| TC4B3022S | TMLV080C16MP12C | 21.0 | CF/CM36D | 875 | 30.0 | 22.2 | 15.50 | 13.25 |
| TC4B3022S | TMLV080C16MP12C | 21.0 | CF/CM42D | 875 | 30.0 | 22.2 | 15.50 | 13.25 |
| TC4B3022S | TMLV100C16MP11C | 21.0 | CF/CM/CU36C | 875 | 30.0 | 22.2 | 15.50 | 13.25 |
| TC4B3022S | TMLV100C16MP11C | 21.0 | CF/CM/CU42C | 875 | 30.0 | 22.2 | 15.50 | 13.25 |
| TC4B3022S | TMLV100C16MP11C | 21.0 | CF/CM30C | 875 | 30.0 | 22.2 | 15.25 | 13.00 |
| TC4B3022S | TMLV100C16MP11C | 21.0 | CF/CM36D | 875 | 30.0 | 22.2 | 15.50 | 13.25 |
| TC4B3022S | TMLV100C16MP11C | 21.0 | CF/CM42D | 875 | 30.0 | 22.2 | 15.50 | 13.25 |
| TC4B3022S | TMLV100C16MP12C | 21.0 | CF/CM/CU36C | 875 | 30.0 | 22.2 | 15.50 | 13.25 |
| TC4B3022S | TMLV100C16MP12C | 21.0 | CF/CM/CU42C | 875 | 30.0 | 22.2 | 15.50 | 13.25 |
| TC4B3022S | TMLV100C16MP12C | 21.0 | CF/CM30C | 875 | 30.0 | 22.2 | 15.25 | 13.00 |
| TC4B3022S | TMLV100C16MP12C | 21.0 | CF/CM36D | 875 | 30.0 | 22.2 | 15.50 | 13.25 |
| TC4B3022S | TMLV100C16MP12C | 21.0 | CF/CM42D | 875 | 30.0 | 22.2 | 15.50 | 13.25 |
| TC4B3022S | TMLX060A12MP11 | 14.5 | CF/CM/CU30A | 875 | 29.6 | 22.0 | 14.50 | 12.50 |
| TC4B3022S | TMLX060A12MP11 | 14.5 | CF/CM/CU30B | 925 | 30.0 | 22.8 | 14.75 | 12.75 |
| TC4B3022S | TMLX060A12MP11 | 14.5 | CF/CM/CU36B | 925 | 30.0 | 22.6 | 15.00 | 12.75 |
| TC4B3022S | TMLX060A12MP11 | 14.5 | CF/CM36A | 875 | 30.0 | 22.2 | 14.75 | 12.75 |
| TC4B3022S | TMLX060A12MP11 | 14.5 | CF42B | 925 | 30.0 | 22.8 | 15.00 | 12.75 |
| TC4B3022S | TMLX080B12MP11 | 17.5 | CF/CM/CU30B | 825 | 29.8 | 21.6 | 15.00 | 13.00 |
| TC4B3022S | TMLX080B12MP11 | 17.5 | CF/CM/CU36B | 825 | 30.0 | 21.6 | 15.25 | 13.00 |
| TC4B3022S | TMLX080B12MP11 | 17.5 | CF/CM/CU36C | 825 | 30.0 | 21.6 | 15.25 | 13.00 |
| TC4B3022S | TMLX080B12MP11 | 17.5 | CF/CM/CU42C | 825 | 30.0 | 21.8 | 15.25 | 13.25 |
| TC4B3022S | TMLX080B12MP11 | 17.5 | CF/CM30C | 825 | 29.8 | 21.6 | 15.00 | 13.00 |
| TC4B3022S | TMLX080B12MP11 | 17.5 | CF42B | 950 | 30.0 | 23.0 | 15.00 | 13.00 |
| TC4B3022S | TMLX080C16MP11 | 21.0 | CF/CM/CU36C | 950 | 30.0 | 23.0 | 15.25 | 13.25 |
| TC4B3022S | TMLX080C16MP11 | 21.0 | CF/CM/CU42C | 950 | 30.0 | 22.8 | 15.50 | 13.25 |
| TC4B3022S | TMLX080C16MP11 | 21.0 | CF/CM30C | 950 | 30.0 | 23.2 | 15.25 | 13.00 |
| TC4B3022S | TMLX080C16MP11 | 21.0 | CF/CM36D | 975 | 30.0 | 23.0 | 15.50 | 13.25 |
| TC4B3022S | TMLX080C16MP11 | 21.0 | CF/CM42D | 975 | 30.0 | 23.2 | 15.50 | 13.25 |
| TC4B3022S | TMLX100C16MP11 | 21.0 | CF/CM/CU36C | 950 | 30.0 | 23.0 | 15.25 | 13.25 |
| TC4B3022S | TMLX100C16MP11 | 21.0 | CF/CM/CU42C | 950 | 30.0 | 22.8 | 15.50 | 13.25 |

COOLING CAPACITY - With High Efficiency Motor Furnaces¹ (Continued)

| UNIT MODEL | FURNACE | | COIL MODEL ² | COOLING | | | | |
|---------------|-----------------|-------|----------------------------|--------------|---------|-------|-------|-------|
| | MODEL | WIDTH | | RATED CFM | NET MBH | | SEER | EER |
| | | | | | TOTAL | SENS. | | |
| TC4B3022S | TMLX100C16MP11 | 21.0 | CF/CM30C | 950 | 30.0 | 23.2 | 15.25 | 13.00 |
| TC4B3022S | TMLX100C16MP11 | 21.0 | CF/CM36D | 975 | 30.0 | 23.0 | 15.50 | 13.25 |
| TC4B3022S | TMLX100C16MP11 | 21.0 | CF/CM42D | 975 | 30.0 | 23.2 | 15.50 | 13.25 |
| TC4B3022S | TMLX100C20MP11 | 21.0 | CF/CM/CU36C | 1000 | 30.0 | 23.4 | 15.50 | 13.25 |
| TC4B3022S | TMLX100C20MP11 | 21.0 | CF/CM/CU42C | 1000 | 30.0 | 23.4 | 15.75 | 13.25 |
| TC4B3022S | TMLX100C20MP11 | 21.0 | CF/CM30C | 1000 | 30.0 | 23.6 | 15.50 | 13.25 |
| TC4B3022S | TMLX100C20MP11 | 21.0 | CF/CM36D | 1000 | 30.0 | 23.4 | 15.50 | 13.25 |
| TC4B3022S | TMLX100C20MP11 | 21.0 | CF/CM42D | 1000 | 30.0 | 23.4 | 15.75 | 13.25 |
| TC4B3022S | TMLX120C20MP11 | 21.0 | CF/CM/CU36C | 1000 | 30.0 | 23.4 | 15.50 | 13.25 |
| TC4B3022S | TMLX120C20MP11 | 21.0 | CF/CM/CU42C | 1000 | 30.0 | 23.4 | 15.75 | 13.25 |
| TC4B3022S | TMLX120C20MP11 | 21.0 | CF/CM30C | 1000 | 30.0 | 23.6 | 15.50 | 13.25 |
| TC4B3022S | TMLX120C20MP11 | 21.0 | CF/CM36D | 1000 | 30.0 | 23.4 | 15.50 | 13.25 |
| TC4B3022S | TMLX120C20MP11 | 21.0 | CF/CM42D | 1000 | 30.0 | 23.4 | 15.75 | 13.25 |
| TC4B3022S | TP9C060B12MP13C | 17.5 | CF/CM/CU30B | 875 | 30.0 | 22.4 | 14.75 | 12.50 |
| TC4B3022S | TP9C060B12MP13C | 17.5 | CF/CM/CU36B | 875 | 30.0 | 22.2 | 14.75 | 12.75 |
| TC4B3022S | TP9C060B12MP13C | 17.5 | CF/CM/CU36C | 875 | 30.0 | 22.2 | 15.00 | 12.75 |
| TC4B3022S | TP9C060B12MP13C | 17.5 | CF/CM/CU42C | 875 | 30.0 | 22.4 | 15.00 | 12.75 |
| TC4B3022S | TP9C060B12MP13C | 17.5 | CF/CM30C | 875 | 30.0 | 22.2 | 14.75 | 12.75 |
| TC4B3022S | TP9C060B12MP13C | 17.5 | CF42B | 875 | 30.0 | 22.2 | 14.75 | 12.75 |
| TC4B3022S | TP9C080B12MP12C | 17.5 | CF/CM/CU30B | 850 | 30.0 | 22.0 | 15.00 | 12.75 |
| TC4B3022S | TP9C080B12MP12C | 17.5 | CF/CM/CU36B | 850 | 30.0 | 22.0 | 15.00 | 13.00 |
| TC4B3022S | TP9C080B12MP12C | 17.5 | CF/CM/CU36C | 850 | 30.0 | 22.0 | 15.25 | 13.00 |
| TC4B3022S | TP9C080B12MP12C | 17.5 | CF/CM/CU42C | 850 | 30.0 | 22.2 | 15.25 | 13.00 |
| TC4B3022S | TP9C080B12MP12C | 17.5 | CF/CM30C | 850 | 30.0 | 22.0 | 15.00 | 13.00 |
| TC4B3022S | TP9C080B12MP12C | 17.5 | CF42B | 850 | 30.0 | 22.2 | 15.00 | 13.00 |
| TC4B3022S | TP9C080B12MP13C | 17.5 | CF/CM/CU30B | 850 | 30.0 | 22.0 | 15.00 | 12.75 |
| TC4B3022S | TP9C080B12MP13C | 17.5 | CF/CM/CU36B | 850 | 30.0 | 22.0 | 15.00 | 13.00 |
| TC4B3022S | TP9C080B12MP13C | 17.5 | CF/CM/CU36C | 850 | 30.0 | 22.0 | 15.25 | 13.00 |
| TC4B3022S | TP9C080B12MP13C | 17.5 | CF/CM/CU42C | 850 | 30.0 | 22.2 | 15.25 | 13.00 |
| TC4B3022S | TP9C080B12MP13C | 17.5 | CF/CM30C | 850 | 30.0 | 22.0 | 15.00 | 13.00 |
| TC4B3022S | TP9C080B12MP13C | 17.5 | CF42B | 850 | 30.0 | 22.2 | 15.00 | 13.00 |
| TC4B3022S | TP9C080C16MP13C | 21.0 | CF/CM/CU36C | 950 | 30.0 | 23.0 | 15.25 | 13.00 |
| TC4B3022S | TP9C080C16MP13C | 21.0 | CF/CM/CU42C | 950 | 30.0 | 22.8 | 15.25 | 13.00 |
| TC4B3022S | TP9C080C16MP13C | 21.0 | CF/CM30C | 950 | 30.0 | 23.0 | 15.00 | 13.00 |
| TC4B3022S | TP9C080C16MP13C | 21.0 | CF/CM36D | 950 | 30.0 | 23.0 | 15.25 | 13.00 |
| TC4B3022S | TP9C080C16MP13C | 21.0 | CF/CM42D | 950 | 30.0 | 22.8 | 15.25 | 13.25 |
| TC4B3022S | TP9C100C16MP12C | 21.0 | CF/CM/CU36C | 900 | 30.0 | 22.4 | 15.50 | 13.25 |
| TC4B3022S | TP9C100C16MP12C | 21.0 | CF/CM/CU42C | 900 | 30.0 | 22.6 | 15.50 | 13.25 |
| TC4B3022S | TP9C100C16MP12C | 21.0 | CF/CM30C | 900 | 30.0 | 22.6 | 15.25 | 13.00 |
| TC4B3022S | TP9C100C16MP12C | 21.0 | CF/CM36D | 900 | 30.0 | 22.4 | 15.50 | 13.25 |
| TC4B3022S | TP9C100C16MP12C | 21.0 | CF/CM42D | 900 | 30.0 | 22.6 | 15.50 | 13.25 |
| TC4B3022S | TP9C100C16MP13C | 21.0 | CF/CM/CU36C | 900 | 30.0 | 22.4 | 15.50 | 13.25 |
| TC4B3022S | TP9C100C16MP13C | 21.0 | CF/CM/CU42C | 900 | 30.0 | 22.6 | 15.50 | 13.25 |
| TC4B3022S | TP9C100C16MP13C | 21.0 | CF/CM30C | 900 | 30.0 | 22.6 | 15.25 | 13.00 |
| TC4B3022S | TP9C100C16MP13C | 21.0 | CF/CM36D | 900 | 30.0 | 22.4 | 15.50 | 13.25 |
| TC4B3022S | TP9C100C16MP13C | 21.0 | CF/CM42D | 900 | 30.0 | 22.6 | 15.50 | 13.25 |
| TC4B3022S | TP9C100C20MP12C | 21.0 | CF/CM/CU36C | 1100 | 30.0 | 24.4 | 15.00 | 13.00 |
| TC4B3022S | TP9C100C20MP12C | 21.0 | CF/CM/CU42C | 1100 | 30.0 | 24.6 | 15.00 | 13.00 |
| TC4B3022S | TP9C100C20MP12C | 21.0 | CF/CM30C | 1100 | 30.0 | 24.2 | 15.00 | 12.75 |
| TC4B3022S | TP9C100C20MP12C | 21.0 | CF/CM36D | 1100 | 30.0 | 24.4 | 15.25 | 13.00 |
| TC4B3022S | TP9C100C20MP12C | 21.0 | CF/CM42D | 1100 | 30.0 | 24.6 | 15.00 | 13.00 |
| TC4B3022S | TP9C100C20MP13C | 21.0 | CF/CM/CU36C | 1100 | 30.0 | 24.4 | 15.00 | 13.00 |
| TC4B3022S | TP9C100C20MP13C | 21.0 | CF/CM/CU42C | 1100 | 30.0 | 24.6 | 15.00 | 13.00 |

COOLING CAPACITY - With High Efficiency Motor Furnaces¹ (Continued)

| UNIT MODEL | FURNACE | | COIL MODEL ² | COOLING | | | | |
|---------------|-----------------|-------|----------------------------|--------------|---------|-------|-------|-------|
| | MODEL | WIDTH | | RATED CFM | NET MBH | | SEER | EER |
| | | | | | TOTAL | SENS. | | |
| TC4B3022S | TP9C100C20MP13C | 21.0 | CF/CM30C | 1100 | 30.0 | 24.2 | 15.00 | 12.75 |
| TC4B3022S | TP9C100C20MP13C | 21.0 | CF/CM36D | 1100 | 30.0 | 24.4 | 15.25 | 13.00 |
| TC4B3022S | TP9C100C20MP13C | 21.0 | CF/CM42D | 1100 | 30.0 | 24.6 | 15.00 | 13.00 |
| TC4B3022S | TP9C120D20MP12C | 24.5 | CF/CM36D | 1050 | 30.0 | 24.0 | 15.50 | 13.25 |
| TC4B3022S | TP9C120D20MP12C | 24.5 | CF/CM42D | 1050 | 30.0 | 23.8 | 15.50 | 13.25 |
| TC4B3022S | TP9C120D20MP13C | 24.5 | CF/CM36D | 1050 | 30.0 | 24.0 | 15.50 | 13.25 |
| TC4B3022S | TP9C120D20MP13C | 24.5 | CF/CM42D | 1050 | 30.0 | 23.8 | 15.50 | 13.25 |
| TC4B3022S | TPLC060A12MP12C | 14.5 | CF/CM/CU30A | 875 | 29.8 | 22.2 | 14.50 | 12.50 |
| TC4B3022S | TPLC060A12MP12C | 14.5 | CF/CM/CU30B | 875 | 30.0 | 22.2 | 15.00 | 12.75 |
| TC4B3022S | TPLC060A12MP12C | 14.5 | CF/CM/CU36B | 875 | 30.0 | 22.2 | 15.00 | 13.00 |
| TC4B3022S | TPLC060A12MP12C | 14.5 | CF/CM36A | 875 | 30.0 | 22.2 | 14.75 | 12.75 |
| TC4B3022S | TPLC060A12MP12C | 14.5 | CF42B | 875 | 30.0 | 22.2 | 15.00 | 13.00 |
| TC4B3022S | TPLC060A12MP13C | 14.5 | CF/CM/CU30A | 875 | 29.8 | 22.2 | 14.50 | 12.50 |
| TC4B3022S | TPLC060A12MP13C | 14.5 | CF/CM/CU30B | 875 | 30.0 | 22.2 | 15.00 | 12.75 |
| TC4B3022S | TPLC060A12MP13C | 14.5 | CF/CM/CU36B | 875 | 30.0 | 22.2 | 15.00 | 13.00 |
| TC4B3022S | TPLC060A12MP13C | 14.5 | CF/CM36A | 875 | 30.0 | 22.2 | 14.75 | 12.75 |
| TC4B3022S | TPLC060A12MP13C | 14.5 | CF42B | 875 | 30.0 | 22.2 | 15.00 | 13.00 |
| TC4B3022S | TPLC080B12MP12C | 17.5 | CF/CM/CU30B | 825 | 29.6 | 21.4 | 14.75 | 12.75 |
| TC4B3022S | TPLC080B12MP12C | 17.5 | CF/CM/CU36B | 825 | 30.0 | 21.6 | 14.75 | 12.75 |
| TC4B3022S | TPLC080B12MP12C | 17.5 | CF/CM/CU36C | 825 | 30.0 | 21.6 | 15.00 | 12.75 |
| TC4B3022S | TPLC080B12MP12C | 17.5 | CF/CM/CU42C | 825 | 30.0 | 21.6 | 15.00 | 13.00 |
| TC4B3022S | TPLC080B12MP12C | 17.5 | CF/CM30C | 825 | 29.8 | 21.6 | 14.75 | 12.75 |
| TC4B3022S | TPLC080B12MP12C | 17.5 | CF42B | 825 | 30.0 | 21.6 | 14.75 | 12.75 |
| TC4B3022S | TPLC080B12MP13C | 17.5 | CF/CM/CU30B | 825 | 29.6 | 21.4 | 14.75 | 12.75 |
| TC4B3022S | TPLC080B12MP13C | 17.5 | CF/CM/CU36B | 825 | 30.0 | 21.6 | 14.75 | 12.75 |
| TC4B3022S | TPLC080B12MP13C | 17.5 | CF/CM/CU36C | 825 | 30.0 | 21.6 | 15.00 | 12.75 |
| TC4B3022S | TPLC080B12MP13C | 17.5 | CF/CM/CU42C | 825 | 30.0 | 21.6 | 15.00 | 13.00 |
| TC4B3022S | TPLC080B12MP13C | 17.5 | CF/CM30C | 825 | 29.8 | 21.6 | 14.75 | 12.75 |
| TC4B3022S | TPLC080B12MP13C | 17.5 | CF42B | 825 | 30.0 | 21.6 | 14.75 | 12.75 |
| TC4B3022S | TPLC080C16MP12C | 21.0 | CF/CM/CU36C | 875 | 30.0 | 22.2 | 15.50 | 13.25 |
| TC4B3022S | TPLC080C16MP12C | 21.0 | CF/CM/CU42C | 875 | 30.0 | 22.2 | 15.50 | 13.25 |
| TC4B3022S | TPLC080C16MP12C | 21.0 | CF/CM30C | 875 | 30.0 | 22.2 | 15.25 | 13.00 |
| TC4B3022S | TPLC080C16MP12C | 21.0 | CF/CM36D | 875 | 30.0 | 22.2 | 15.50 | 13.25 |
| TC4B3022S | TPLC080C16MP12C | 21.0 | CF/CM42D | 875 | 30.0 | 22.2 | 15.50 | 13.25 |
| TC4B3022S | TPLC080C16MP13C | 21.0 | CF/CM/CU36C | 875 | 30.0 | 22.2 | 15.50 | 13.25 |
| TC4B3022S | TPLC080C16MP13C | 21.0 | CF/CM/CU42C | 875 | 30.0 | 22.2 | 15.50 | 13.25 |
| TC4B3022S | TPLC080C16MP13C | 21.0 | CF/CM30C | 875 | 30.0 | 22.2 | 15.25 | 13.00 |
| TC4B3022S | TPLC080C16MP13C | 21.0 | CF/CM36D | 875 | 30.0 | 22.2 | 15.50 | 13.25 |
| TC4B3022S | TPLC080C16MP13C | 21.0 | CF/CM42D | 875 | 30.0 | 22.2 | 15.50 | 13.25 |
| TC4B3022S | TPLC100C16MP12C | 21.0 | CF/CM/CU36C | 875 | 30.0 | 22.2 | 15.50 | 13.25 |
| TC4B3022S | TPLC100C16MP12C | 21.0 | CF/CM/CU42C | 875 | 30.0 | 22.2 | 15.50 | 13.25 |
| TC4B3022S | TPLC100C16MP12C | 21.0 | CF/CM30C | 875 | 30.0 | 22.2 | 15.25 | 13.00 |
| TC4B3022S | TPLC100C16MP12C | 21.0 | CF/CM36D | 875 | 30.0 | 22.2 | 15.50 | 13.25 |
| TC4B3022S | TPLC100C16MP12C | 21.0 | CF/CM42D | 875 | 30.0 | 22.2 | 15.50 | 13.25 |
| TC4B3022S | TPLC100C16MP13C | 21.0 | CF/CM/CU36C | 875 | 30.0 | 22.2 | 15.50 | 13.25 |
| TC4B3022S | TPLC100C16MP13C | 21.0 | CF/CM/CU42C | 875 | 30.0 | 22.2 | 15.50 | 13.25 |
| TC4B3022S | TPLC100C16MP13C | 21.0 | CF/CM30C | 875 | 30.0 | 22.2 | 15.25 | 13.00 |
| TC4B3022S | TPLC100C16MP13C | 21.0 | CF/CM36D | 875 | 30.0 | 22.2 | 15.50 | 13.25 |
| TC4B3022S | TPLC100C16MP13C | 21.0 | CF/CM42D | 875 | 30.0 | 22.2 | 15.50 | 13.25 |
| TC4B3022S | YP9C060B12MP13C | 17.5 | CF/CM/CU30B | 875 | 30.0 | 22.4 | 14.75 | 12.50 |
| TC4B3022S | YP9C060B12MP13C | 17.5 | CF/CM/CU36B | 875 | 30.0 | 22.2 | 14.75 | 12.75 |
| TC4B3022S | YP9C060B12MP13C | 17.5 | CF/CM/CU36C | 875 | 30.0 | 22.2 | 15.00 | 12.75 |
| TC4B3022S | YP9C060B12MP13C | 17.5 | CF/CM/CU42C | 875 | 30.0 | 22.4 | 15.00 | 12.75 |

COOLING CAPACITY - With High Efficiency Motor Furnaces¹ (Continued)

| UNIT MODEL | FURNACE | | COIL MODEL ² | COOLING | | | | |
|---------------|-----------------|-------|----------------------------|--------------|---------|-------|-------|-------|
| | MODEL | WIDTH | | RATED CFM | NET MBH | | SEER | EER |
| | | | | | TOTAL | SENS. | | |
| TC4B3022S | YP9C060B12MP13C | 17.5 | CF/CM30C | 875 | 30.0 | 22.2 | 14.75 | 12.75 |
| TC4B3022S | YP9C060B12MP13C | 17.5 | CF42B | 875 | 30.0 | 22.2 | 14.75 | 12.75 |
| TC4B3022S | YP9C080B12MP12C | 17.5 | CF/CM/CU30B | 850 | 30.0 | 22.0 | 15.00 | 12.75 |
| TC4B3022S | YP9C080B12MP12C | 17.5 | CF/CM/CU36B | 850 | 30.0 | 22.0 | 15.00 | 13.00 |
| TC4B3022S | YP9C080B12MP12C | 17.5 | CF/CM/CU36C | 850 | 30.0 | 22.0 | 15.25 | 13.00 |
| TC4B3022S | YP9C080B12MP12C | 17.5 | CF/CM/CU42C | 850 | 30.0 | 22.2 | 15.25 | 13.00 |
| TC4B3022S | YP9C080B12MP12C | 17.5 | CF/CM30C | 850 | 30.0 | 22.0 | 15.00 | 13.00 |
| TC4B3022S | YP9C080B12MP12C | 17.5 | CF42B | 850 | 30.0 | 22.2 | 15.00 | 13.00 |
| TC4B3022S | YP9C080B12MP13C | 17.5 | CF/CM/CU30B | 850 | 30.0 | 22.0 | 15.00 | 12.75 |
| TC4B3022S | YP9C080B12MP13C | 17.5 | CF/CM/CU36B | 850 | 30.0 | 22.0 | 15.00 | 13.00 |
| TC4B3022S | YP9C080B12MP13C | 17.5 | CF/CM/CU36C | 850 | 30.0 | 22.0 | 15.25 | 13.00 |
| TC4B3022S | YP9C080B12MP13C | 17.5 | CF/CM/CU42C | 850 | 30.0 | 22.2 | 15.25 | 13.00 |
| TC4B3022S | YP9C080B12MP13C | 17.5 | CF/CM30C | 850 | 30.0 | 22.0 | 15.00 | 13.00 |
| TC4B3022S | YP9C080B12MP13C | 17.5 | CF42B | 850 | 30.0 | 22.2 | 15.00 | 13.00 |
| TC4B3022S | YP9C080C16MP13C | 21.0 | CF/CM/CU36C | 950 | 30.0 | 23.0 | 15.25 | 13.00 |
| TC4B3022S | YP9C080C16MP13C | 21.0 | CF/CM/CU42C | 950 | 30.0 | 22.8 | 15.25 | 13.00 |
| TC4B3022S | YP9C080C16MP13C | 21.0 | CF/CM30C | 950 | 30.0 | 23.0 | 15.00 | 13.00 |
| TC4B3022S | YP9C080C16MP13C | 21.0 | CF/CM36D | 950 | 30.0 | 23.0 | 15.25 | 13.00 |
| TC4B3022S | YP9C080C16MP13C | 21.0 | CF/CM42D | 950 | 30.0 | 22.8 | 15.25 | 13.25 |
| TC4B3022S | YP9C100C16MP12C | 21.0 | CF/CM/CU36C | 900 | 30.0 | 22.4 | 15.50 | 13.25 |
| TC4B3022S | YP9C100C16MP12C | 21.0 | CF/CM/CU42C | 900 | 30.0 | 22.6 | 15.50 | 13.25 |
| TC4B3022S | YP9C100C16MP12C | 21.0 | CF/CM30C | 900 | 30.0 | 22.6 | 15.25 | 13.00 |
| TC4B3022S | YP9C100C16MP12C | 21.0 | CF/CM36D | 900 | 30.0 | 22.4 | 15.50 | 13.25 |
| TC4B3022S | YP9C100C16MP12C | 21.0 | CF/CM42D | 900 | 30.0 | 22.6 | 15.50 | 13.25 |
| TC4B3022S | YP9C100C16MP13C | 21.0 | CF/CM/CU36C | 900 | 30.0 | 22.4 | 15.50 | 13.25 |
| TC4B3022S | YP9C100C16MP13C | 21.0 | CF/CM/CU42C | 900 | 30.0 | 22.6 | 15.50 | 13.25 |
| TC4B3022S | YP9C100C16MP13C | 21.0 | CF/CM30C | 900 | 30.0 | 22.6 | 15.25 | 13.00 |
| TC4B3022S | YP9C100C16MP13C | 21.0 | CF/CM36D | 900 | 30.0 | 22.4 | 15.50 | 13.25 |
| TC4B3022S | YP9C100C16MP13C | 21.0 | CF/CM42D | 900 | 30.0 | 22.6 | 15.50 | 13.25 |
| TC4B3022S | YP9C100C20MP12C | 21.0 | CF/CM/CU36C | 1100 | 30.0 | 24.4 | 15.00 | 13.00 |
| TC4B3022S | YP9C100C20MP12C | 21.0 | CF/CM/CU42C | 1100 | 30.0 | 24.6 | 15.00 | 13.00 |
| TC4B3022S | YP9C100C20MP12C | 21.0 | CF/CM30C | 1100 | 30.0 | 24.2 | 15.00 | 12.75 |
| TC4B3022S | YP9C100C20MP12C | 21.0 | CF/CM36D | 1100 | 30.0 | 24.4 | 15.25 | 13.00 |
| TC4B3022S | YP9C100C20MP12C | 21.0 | CF/CM42D | 1100 | 30.0 | 24.6 | 15.00 | 13.00 |
| TC4B3022S | YP9C100C20MP13C | 21.0 | CF/CM/CU36C | 1100 | 30.0 | 24.4 | 15.00 | 13.00 |
| TC4B3022S | YP9C100C20MP13C | 21.0 | CF/CM/CU42C | 1100 | 30.0 | 24.6 | 15.00 | 13.00 |
| TC4B3022S | YP9C100C20MP13C | 21.0 | CF/CM30C | 1100 | 30.0 | 24.2 | 15.00 | 12.75 |
| TC4B3022S | YP9C100C20MP13C | 21.0 | CF/CM36D | 1100 | 30.0 | 24.4 | 15.25 | 13.00 |
| TC4B3022S | YP9C100C20MP13C | 21.0 | CF/CM42D | 1100 | 30.0 | 24.6 | 15.00 | 13.00 |
| TC4B3022S | YP9C120D20MP12C | 24.5 | CF/CM36D | 1050 | 30.0 | 24.0 | 15.50 | 13.25 |
| TC4B3022S | YP9C120D20MP12C | 24.5 | CF/CM42D | 1050 | 30.0 | 23.8 | 15.50 | 13.25 |
| TC4B3022S | YP9C120D20MP13C | 24.5 | CF/CM36D | 1050 | 30.0 | 24.0 | 15.50 | 13.25 |
| TC4B3022S | YP9C120D20MP13C | 24.5 | CF/CM42D | 1050 | 30.0 | 23.8 | 15.50 | 13.25 |
| TC4B3022S | YPLC060A12MP12C | 14.5 | CF/CM/CU30A | 875 | 29.8 | 22.2 | 14.50 | 12.50 |
| TC4B3022S | YPLC060A12MP12C | 14.5 | CF/CM/CU30B | 875 | 30.0 | 22.2 | 15.00 | 12.75 |
| TC4B3022S | YPLC060A12MP12C | 14.5 | CF/CM/CU36B | 875 | 30.0 | 22.2 | 15.00 | 13.00 |
| TC4B3022S | YPLC060A12MP12C | 14.5 | CF/CM36A | 875 | 30.0 | 22.2 | 14.75 | 12.75 |
| TC4B3022S | YPLC060A12MP12C | 14.5 | CF42B | 875 | 30.0 | 22.2 | 15.00 | 13.00 |
| TC4B3022S | YPLC060A12MP13C | 14.5 | CF/CM/CU30A | 875 | 29.8 | 22.2 | 14.50 | 12.50 |
| TC4B3022S | YPLC060A12MP13C | 14.5 | CF/CM/CU30B | 875 | 30.0 | 22.2 | 15.00 | 12.75 |
| TC4B3022S | YPLC060A12MP13C | 14.5 | CF/CM/CU36B | 875 | 30.0 | 22.2 | 15.00 | 13.00 |
| TC4B3022S | YPLC060A12MP13C | 14.5 | CF/CM36A | 875 | 30.0 | 22.2 | 14.75 | 12.75 |
| TC4B3022S | YPLC060A12MP13C | 14.5 | CF42B | 875 | 30.0 | 22.2 | 15.00 | 13.00 |

COOLING CAPACITY - With High Efficiency Motor Furnaces¹ (Continued)

| UNIT MODEL | FURNACE | | COIL MODEL ² | COOLING | | | | |
|---------------|-----------------|-------|----------------------------|--------------|---------|-------|-------|-------|
| | MODEL | WIDTH | | RATED CFM | NET MBH | | SEER | EER |
| | | | | | TOTAL | SENS. | | |
| TC4B3022S | YPLC080B12MP12C | 17.5 | CF/CM/CU30B | 825 | 29.6 | 21.4 | 14.75 | 12.75 |
| TC4B3022S | YPLC080B12MP12C | 17.5 | CF/CM/CU36B | 825 | 30.0 | 21.6 | 14.75 | 12.75 |
| TC4B3022S | YPLC080B12MP12C | 17.5 | CF/CM/CU36C | 825 | 30.0 | 21.6 | 15.00 | 12.75 |
| TC4B3022S | YPLC080B12MP12C | 17.5 | CF/CM/CU42C | 825 | 30.0 | 21.6 | 15.00 | 13.00 |
| TC4B3022S | YPLC080B12MP12C | 17.5 | CF/CM30C | 825 | 29.8 | 21.6 | 14.75 | 12.75 |
| TC4B3022S | YPLC080B12MP12C | 17.5 | CF42B | 825 | 30.0 | 21.6 | 14.75 | 12.75 |
| TC4B3022S | YPLC080B12MP13C | 17.5 | CF/CM/CU30B | 825 | 29.6 | 21.4 | 14.75 | 12.75 |
| TC4B3022S | YPLC080B12MP13C | 17.5 | CF/CM/CU36B | 825 | 30.0 | 21.6 | 14.75 | 12.75 |
| TC4B3022S | YPLC080B12MP13C | 17.5 | CF/CM/CU36C | 825 | 30.0 | 21.6 | 15.00 | 12.75 |
| TC4B3022S | YPLC080B12MP13C | 17.5 | CF/CM/CU42C | 825 | 30.0 | 21.6 | 15.00 | 13.00 |
| TC4B3022S | YPLC080B12MP13C | 17.5 | CF/CM30C | 825 | 29.8 | 21.6 | 14.75 | 12.75 |
| TC4B3022S | YPLC080B12MP13C | 17.5 | CF42B | 825 | 30.0 | 21.6 | 14.75 | 12.75 |
| TC4B3022S | YPLC080C16MP12C | 21.0 | CF/CM/CU36C | 875 | 30.0 | 22.2 | 15.50 | 13.25 |
| TC4B3022S | YPLC080C16MP12C | 21.0 | CF/CM/CU42C | 875 | 30.0 | 22.2 | 15.50 | 13.25 |
| TC4B3022S | YPLC080C16MP12C | 21.0 | CF/CM30C | 875 | 30.0 | 22.2 | 15.25 | 13.00 |
| TC4B3022S | YPLC080C16MP12C | 21.0 | CF/CM36D | 875 | 30.0 | 22.2 | 15.50 | 13.25 |
| TC4B3022S | YPLC080C16MP12C | 21.0 | CF/CM42D | 875 | 30.0 | 22.2 | 15.50 | 13.25 |
| TC4B3022S | YPLC080C16MP13C | 21.0 | CF/CM/CU36C | 875 | 30.0 | 22.2 | 15.50 | 13.25 |
| TC4B3022S | YPLC080C16MP13C | 21.0 | CF/CM/CU42C | 875 | 30.0 | 22.2 | 15.50 | 13.25 |
| TC4B3022S | YPLC080C16MP13C | 21.0 | CF/CM30C | 875 | 30.0 | 22.2 | 15.25 | 13.00 |
| TC4B3022S | YPLC080C16MP13C | 21.0 | CF/CM36D | 875 | 30.0 | 22.2 | 15.50 | 13.25 |
| TC4B3022S | YPLC080C16MP13C | 21.0 | CF/CM42D | 875 | 30.0 | 22.2 | 15.50 | 13.25 |
| TC4B3022S | YPLC100C16MP12C | 21.0 | CF/CM/CU36C | 875 | 30.0 | 22.2 | 15.50 | 13.25 |
| TC4B3022S | YPLC100C16MP12C | 21.0 | CF/CM/CU42C | 875 | 30.0 | 22.2 | 15.50 | 13.25 |
| TC4B3022S | YPLC100C16MP12C | 21.0 | CF/CM30C | 875 | 30.0 | 22.2 | 15.25 | 13.00 |
| TC4B3022S | YPLC100C16MP12C | 21.0 | CF/CM36D | 875 | 30.0 | 22.2 | 15.50 | 13.25 |
| TC4B3022S | YPLC100C16MP12C | 21.0 | CF/CM42D | 875 | 30.0 | 22.2 | 15.50 | 13.25 |
| TC4B3022S | YPLC100C16MP13C | 21.0 | CF/CM/CU36C | 875 | 30.0 | 22.2 | 15.50 | 13.25 |
| TC4B3022S | YPLC100C16MP13C | 21.0 | CF/CM/CU42C | 875 | 30.0 | 22.2 | 15.50 | 13.25 |
| TC4B3022S | YPLC100C16MP13C | 21.0 | CF/CM30C | 875 | 30.0 | 22.2 | 15.25 | 13.00 |
| TC4B3022S | YPLC100C16MP13C | 21.0 | CF/CM36D | 875 | 30.0 | 22.2 | 15.50 | 13.25 |
| TC4B3022S | YPLC100C16MP13C | 21.0 | CF/CM42D | 875 | 30.0 | 22.2 | 15.50 | 13.25 |
| TC4B3622S | TL8E060A12UH11 | 14.5 | CF/CM/CU36B | 1025 | 35.0 | 26.0 | 14.25 | 12.00 |
| TC4B3622S | TL8E060A12UH11 | 14.5 | CF42B | 1025 | 35.2 | 26.2 | 14.50 | 12.25 |
| TC4B3622S | TL8E080C16UH11 | 21.0 | CF/CM/CU36C | 1125 | 35.4 | 27.6 | 15.00 | 12.50 |
| TC4B3622S | TL8E080C16UH11 | 21.0 | CF/CM/CU42C | 1125 | 35.8 | 27.6 | 15.00 | 12.50 |
| TC4B3622S | TL8E080C16UH11 | 21.0 | CF/CM/CU48C | 1125 | 35.8 | 27.8 | 15.25 | 12.50 |
| TC4B3622S | TL8E080C16UH11 | 21.0 | CF/CM/CU48D | 1125 | 35.8 | 27.8 | 15.00 | 12.50 |
| TC4B3622S | TL8E080C16UH11 | 21.0 | CF/CM36D | 1125 | 35.4 | 27.6 | 15.00 | 12.50 |
| TC4B3622S | TL8E080C16UH11 | 21.0 | CF/CM42D | 1125 | 35.8 | 27.6 | 15.00 | 12.50 |
| TC4B3622S | TL8E100C20UH11 | 21.0 | CF/CM/CU36C | 1050 | 35.4 | 26.6 | 15.25 | 12.50 |
| TC4B3622S | TL8E100C20UH11 | 21.0 | CF/CM/CU42C | 1050 | 35.6 | 26.4 | 15.50 | 12.75 |
| TC4B3622S | TL8E100C20UH11 | 21.0 | CF/CM/CU48C | 1050 | 35.6 | 26.8 | 15.50 | 12.75 |
| TC4B3622S | TL8E100C20UH11 | 21.0 | CF/CM/CU48D | 1050 | 35.6 | 26.8 | 15.50 | 12.75 |
| TC4B3622S | TL8E100C20UH11 | 21.0 | CF/CM36D | 1050 | 35.4 | 26.6 | 15.25 | 12.50 |
| TC4B3622S | TL8E100C20UH11 | 21.0 | CF/CM42D | 1050 | 35.6 | 26.4 | 15.25 | 12.50 |
| TC4B3622S | TL9E060B12UH11 | 17.5 | CF/CM/CU36B | 1025 | 34.8 | 25.8 | 14.25 | 12.00 |
| TC4B3622S | TL9E060B12UH11 | 17.5 | CF/CM/CU36C | 1050 | 35.0 | 26.4 | 14.25 | 12.00 |
| TC4B3622S | TL9E060B12UH11 | 17.5 | CF/CM/CU42C | 1050 | 35.2 | 26.2 | 14.50 | 12.00 |
| TC4B3622S | TL9E060B12UH11 | 17.5 | CF/CM/CU48C | 1050 | 35.2 | 26.6 | 14.50 | 12.00 |
| TC4B3622S | TL9E060B12UH11 | 17.5 | CF42B | 1025 | 35.0 | 26.0 | 14.25 | 12.00 |
| TC4B3622S | TL9E080C16UH11 | 21.0 | CF/CM/CU36C | 1075 | 35.2 | 27.0 | 15.00 | 12.50 |
| TC4B3622S | TL9E080C16UH11 | 21.0 | CF/CM/CU42C | 1075 | 35.6 | 26.8 | 15.00 | 12.50 |

COOLING CAPACITY - With High Efficiency Motor Furnaces¹ (Continued)

| UNIT MODEL | FURNACE | | COIL MODEL ² | COOLING | | | | |
|---------------|----------------|-------|----------------------------|--------------|---------|-------|-------|-------|
| | MODEL | WIDTH | | RATED CFM | NET MBH | | SEER | EER |
| | | | | | TOTAL | SENS. | | |
| TC4B3622S | TL9E080C16UH11 | 21.0 | CF/CM/CU48C | 1075 | 35.6 | 27.0 | 15.00 | 12.50 |
| TC4B3622S | TL9E080C16UH11 | 21.0 | CF/CM/CU48D | 1100 | 35.8 | 27.2 | 15.00 | 12.50 |
| TC4B3622S | TL9E080C16UH11 | 21.0 | CF/CM36D | 1100 | 35.4 | 27.2 | 14.75 | 12.50 |
| TC4B3622S | TL9E080C16UH11 | 21.0 | CF/CM42D | 1100 | 35.6 | 27.2 | 15.00 | 12.50 |
| TC4B3622S | TL9E100C20UH11 | 21.0 | CF/CM/CU36C | 1125 | 35.4 | 27.6 | 15.25 | 12.50 |
| TC4B3622S | TL9E100C20UH11 | 21.0 | CF/CM/CU42C | 1125 | 35.8 | 27.6 | 15.25 | 12.50 |
| TC4B3622S | TL9E100C20UH11 | 21.0 | CF/CM/CU48C | 1125 | 36.0 | 28.0 | 15.50 | 12.75 |
| TC4B3622S | TL9E100C20UH11 | 21.0 | CF/CM/CU48D | 1150 | 36.0 | 28.2 | 15.25 | 12.50 |
| TC4B3622S | TL9E100C20UH11 | 21.0 | CF/CM36D | 1150 | 35.8 | 28.0 | 15.25 | 12.50 |
| TC4B3622S | TL9E100C20UH11 | 21.0 | CF/CM42D | 1150 | 36.0 | 28.0 | 15.25 | 12.50 |
| TC4B3622S | TM8E040A12MP11 | 14.5 | CF/CM/CU36B | 1025 | 35.0 | 26.0 | 14.75 | 12.25 |
| TC4B3622S | TM8E040A12MP11 | 14.5 | CF42B | 1000 | 35.0 | 25.8 | 14.75 | 12.25 |
| TC4B3622S | TM8E060A12MP11 | 14.5 | CF/CM/CU36B | 1025 | 35.0 | 26.0 | 14.75 | 12.25 |
| TC4B3622S | TM8E060A12MP11 | 14.5 | CF42B | 1000 | 35.0 | 25.8 | 14.75 | 12.25 |
| TC4B3622S | TM8E080B12MP11 | 17.5 | CF/CM/CU36B | 1025 | 35.0 | 26.0 | 14.75 | 12.25 |
| TC4B3622S | TM8E080B12MP11 | 17.5 | CF/CM/CU36C | 1050 | 35.0 | 26.2 | 14.75 | 12.25 |
| TC4B3622S | TM8E080B12MP11 | 17.5 | CF/CM/CU42C | 1050 | 35.4 | 26.4 | 14.75 | 12.25 |
| TC4B3622S | TM8E080B12MP11 | 17.5 | CF/CM/CU48C | 1050 | 35.4 | 26.6 | 14.75 | 12.50 |
| TC4B3622S | TM8E080B12MP11 | 17.5 | CF42B | 1025 | 35.2 | 26.2 | 14.75 | 12.50 |
| TC4B3622S | TM8E080C16MP11 | 21.0 | CF/CM/CU36C | 1100 | 35.4 | 27.2 | 15.25 | 12.50 |
| TC4B3622S | TM8E080C16MP11 | 21.0 | CF/CM/CU42C | 1100 | 35.6 | 27.2 | 15.25 | 12.50 |
| TC4B3622S | TM8E080C16MP11 | 21.0 | CF/CM/CU48C | 1100 | 35.8 | 27.4 | 15.25 | 12.50 |
| TC4B3622S | TM8E080C16MP11 | 21.0 | CF/CM/CU48D | 1100 | 35.8 | 27.4 | 15.25 | 12.50 |
| TC4B3622S | TM8E080C16MP11 | 21.0 | CF/CM36D | 1125 | 35.4 | 27.6 | 15.00 | 12.50 |
| TC4B3622S | TM8E080C16MP11 | 21.0 | CF/CM42D | 1125 | 35.8 | 27.6 | 15.25 | 12.50 |
| TC4B3622S | TM8E080C20MP11 | 21.0 | CF/CM/CU36C | 1250 | 35.8 | 28.8 | 15.00 | 12.50 |
| TC4B3622S | TM8E080C20MP11 | 21.0 | CF/CM/CU42C | 1250 | 36.0 | 28.8 | 15.25 | 12.50 |
| TC4B3622S | TM8E080C20MP11 | 21.0 | CF/CM/CU48C | 1250 | 36.0 | 29.2 | 15.25 | 12.50 |
| TC4B3622S | TM8E080C20MP11 | 21.0 | CF/CM/CU48D | 1275 | 36.0 | 29.4 | 15.25 | 12.50 |
| TC4B3622S | TM8E080C20MP11 | 21.0 | CF/CM36D | 1275 | 35.8 | 29.4 | 15.00 | 12.50 |
| TC4B3622S | TM8E080C20MP11 | 21.0 | CF/CM42D | 1275 | 36.0 | 29.0 | 15.25 | 12.50 |
| TC4B3622S | TM8E100B12MP11 | 17.5 | CF/CM/CU36B | 1075 | 35.2 | 27.0 | 14.75 | 12.25 |
| TC4B3622S | TM8E100B12MP11 | 17.5 | CF/CM/CU36C | 1100 | 35.2 | 27.2 | 14.75 | 12.25 |
| TC4B3622S | TM8E100B12MP11 | 17.5 | CF/CM/CU42C | 1100 | 35.4 | 27.0 | 14.75 | 12.25 |
| TC4B3622S | TM8E100B12MP11 | 17.5 | CF/CM/CU48C | 1100 | 35.6 | 27.0 | 14.75 | 12.50 |
| TC4B3622S | TM8E100B12MP11 | 17.5 | CF42B | 1050 | 35.2 | 26.2 | 14.75 | 12.25 |
| TC4B3622S | TM8E100C16MP11 | 21.0 | CF/CM/CU36C | 1125 | 35.4 | 27.6 | 15.00 | 12.50 |
| TC4B3622S | TM8E100C16MP11 | 21.0 | CF/CM/CU42C | 1125 | 35.8 | 27.6 | 15.25 | 12.50 |
| TC4B3622S | TM8E100C16MP11 | 21.0 | CF/CM/CU48C | 1125 | 35.8 | 27.8 | 15.25 | 12.50 |
| TC4B3622S | TM8E100C16MP11 | 21.0 | CF/CM/CU48D | 1125 | 36.0 | 28.0 | 15.25 | 12.50 |
| TC4B3622S | TM8E100C16MP11 | 21.0 | CF/CM36D | 1125 | 35.4 | 27.6 | 15.00 | 12.50 |
| TC4B3622S | TM8E100C16MP11 | 21.0 | CF/CM42D | 1125 | 35.8 | 27.6 | 15.00 | 12.50 |
| TC4B3622S | TM8E100C20MP11 | 21.0 | CF/CM/CU36C | 1250 | 35.8 | 28.8 | 15.00 | 12.50 |
| TC4B3622S | TM8E100C20MP11 | 21.0 | CF/CM/CU42C | 1250 | 36.0 | 28.8 | 15.25 | 12.50 |
| TC4B3622S | TM8E100C20MP11 | 21.0 | CF/CM/CU48C | 1250 | 36.0 | 29.2 | 15.25 | 12.50 |
| TC4B3622S | TM8E100C20MP11 | 21.0 | CF/CM/CU48D | 1275 | 36.0 | 29.4 | 15.25 | 12.50 |
| TC4B3622S | TM8E100C20MP11 | 21.0 | CF/CM36D | 1275 | 35.8 | 29.4 | 15.00 | 12.50 |
| TC4B3622S | TM8E100C20MP11 | 21.0 | CF/CM42D | 1275 | 36.0 | 29.0 | 15.25 | 12.50 |
| TC4B3622S | TM8E120C16MP11 | 21.0 | CF/CM/CU36C | 1125 | 35.4 | 27.6 | 15.00 | 12.50 |
| TC4B3622S | TM8E120C16MP11 | 21.0 | CF/CM/CU42C | 1125 | 35.8 | 27.6 | 15.25 | 12.50 |
| TC4B3622S | TM8E120C16MP11 | 21.0 | CF/CM/CU48C | 1125 | 36.0 | 28.0 | 15.25 | 12.50 |
| TC4B3622S | TM8E120C16MP11 | 21.0 | CF/CM/CU48D | 1125 | 36.0 | 28.0 | 15.25 | 12.50 |
| TC4B3622S | TM8E120C16MP11 | 21.0 | CF/CM36D | 1125 | 35.4 | 27.6 | 15.00 | 12.50 |

COOLING CAPACITY - With High Efficiency Motor Furnaces¹ (Continued)

| UNIT MODEL | FURNACE | | COIL MODEL ² | COOLING | | | | |
|---------------|-----------------|-------|----------------------------|--------------|---------|-------|-------|-------|
| | MODEL | WIDTH | | RATED CFM | NET MBH | | SEER | EER |
| | | | | | TOTAL | SENS. | | |
| TC4B3622S | TM8E120C16MP11 | 21.0 | CF/CM42D | 1125 | 35.8 | 27.6 | 15.00 | 12.50 |
| TC4B3622S | TM8E120C20MP11 | 21.0 | CF/CM/CU36C | 1275 | 35.8 | 29.4 | 15.00 | 12.50 |
| TC4B3622S | TM8E120C20MP11 | 21.0 | CF/CM/CU42C | 1275 | 36.0 | 29.0 | 15.25 | 12.50 |
| TC4B3622S | TM8E120C20MP11 | 21.0 | CF/CM/CU48C | 1300 | 36.0 | 29.8 | 15.25 | 12.50 |
| TC4B3622S | TM8E120C20MP11 | 21.0 | CF/CM/CU48D | 1300 | 36.0 | 29.6 | 15.00 | 12.50 |
| TC4B3622S | TM8E120C20MP11 | 21.0 | CF/CM36D | 1300 | 35.0 | 27.4 | 14.25 | 12.00 |
| TC4B3622S | TM8E120C20MP11 | 21.0 | CF/CM42D | 1300 | 36.0 | 29.4 | 15.00 | 12.50 |
| TC4B3622S | TM8E130D20MP11 | 24.5 | CF/CM/CU48D | 1300 | 36.0 | 29.6 | 15.25 | 12.50 |
| TC4B3622S | TM8E130D20MP11 | 24.5 | CF/CM36D | 1300 | 35.0 | 27.4 | 14.75 | 12.25 |
| TC4B3622S | TM8E130D20MP11 | 24.5 | CF/CM42D | 1300 | 36.0 | 29.4 | 15.25 | 12.50 |
| TC4B3622S | TM8V060A12MP11C | 14.5 | CF/CM/CU36B | 975 | 34.6 | 25.4 | 14.75 | 12.25 |
| TC4B3622S | TM8V060A12MP11C | 14.5 | CF/CM36A | 975 | 34.4 | 25.2 | 14.50 | 12.00 |
| TC4B3622S | TM8V060A12MP11C | 14.5 | CF42B | 975 | 34.6 | 25.2 | 14.75 | 12.25 |
| TC4B3622S | TM8V060A12MP12C | 14.5 | CF/CM/CU36B | 975 | 34.6 | 25.4 | 14.75 | 12.25 |
| TC4B3622S | TM8V060A12MP12C | 14.5 | CF/CM36A | 975 | 34.4 | 25.2 | 14.50 | 12.00 |
| TC4B3622S | TM8V060A12MP12C | 14.5 | CF42B | 975 | 34.6 | 25.2 | 14.75 | 12.25 |
| TC4B3622S | TM8V080B12MP11C | 17.5 | CF/CM/CU36B | 1000 | 34.6 | 25.6 | 14.25 | 12.00 |
| TC4B3622S | TM8V080B12MP11C | 17.5 | CF/CM/CU36C | 1000 | 34.6 | 25.6 | 14.50 | 12.25 |
| TC4B3622S | TM8V080B12MP11C | 17.5 | CF/CM/CU42C | 1000 | 35.0 | 25.8 | 14.50 | 12.25 |
| TC4B3622S | TM8V080B12MP11C | 17.5 | CF/CM/CU48C | 1000 | 35.0 | 25.8 | 14.50 | 12.25 |
| TC4B3622S | TM8V080B12MP11C | 17.5 | CF42B | 1000 | 34.8 | 25.6 | 14.25 | 12.00 |
| TC4B3622S | TM8V080B12MP12C | 17.5 | CF/CM/CU36B | 1000 | 34.6 | 25.6 | 14.25 | 12.00 |
| TC4B3622S | TM8V080B12MP12C | 17.5 | CF/CM/CU36C | 1000 | 34.6 | 25.6 | 14.50 | 12.25 |
| TC4B3622S | TM8V080B12MP12C | 17.5 | CF/CM/CU42C | 1000 | 35.0 | 25.8 | 14.50 | 12.25 |
| TC4B3622S | TM8V080B12MP12C | 17.5 | CF/CM/CU48C | 1000 | 35.0 | 25.8 | 14.50 | 12.25 |
| TC4B3622S | TM8V080B12MP12C | 17.5 | CF42B | 1000 | 34.8 | 25.6 | 14.25 | 12.00 |
| TC4B3622S | TM8V080C16MP11C | 21.0 | CF/CM/CU36C | 1050 | 35.2 | 26.6 | 15.00 | 12.50 |
| TC4B3622S | TM8V080C16MP11C | 21.0 | CF/CM/CU42C | 1050 | 35.4 | 26.4 | 15.25 | 12.75 |
| TC4B3622S | TM8V080C16MP11C | 21.0 | CF/CM/CU48C | 1050 | 35.4 | 26.6 | 15.25 | 12.75 |
| TC4B3622S | TM8V080C16MP11C | 21.0 | CF/CM/CU48D | 1050 | 35.4 | 26.6 | 15.25 | 12.75 |
| TC4B3622S | TM8V080C16MP11C | 21.0 | CF/CM36D | 1050 | 35.2 | 26.6 | 15.25 | 12.75 |
| TC4B3622S | TM8V080C16MP11C | 21.0 | CF/CM42D | 1050 | 35.6 | 26.6 | 15.25 | 12.75 |
| TC4B3622S | TM8V080C16MP12C | 21.0 | CF/CM/CU36C | 1050 | 35.2 | 26.6 | 15.00 | 12.50 |
| TC4B3622S | TM8V080C16MP12C | 21.0 | CF/CM/CU42C | 1050 | 35.4 | 26.4 | 15.25 | 12.75 |
| TC4B3622S | TM8V080C16MP12C | 21.0 | CF/CM/CU48C | 1050 | 35.4 | 26.6 | 15.25 | 12.75 |
| TC4B3622S | TM8V080C16MP12C | 21.0 | CF/CM/CU48D | 1050 | 35.4 | 26.6 | 15.25 | 12.75 |
| TC4B3622S | TM8V080C16MP12C | 21.0 | CF/CM36D | 1050 | 35.2 | 26.6 | 15.25 | 12.75 |
| TC4B3622S | TM8V080C16MP12C | 21.0 | CF/CM42D | 1050 | 35.6 | 26.6 | 15.25 | 12.75 |
| TC4B3622S | TM8V100C16MP11C | 21.0 | CF/CM/CU36C | 1050 | 35.2 | 26.6 | 15.00 | 12.50 |
| TC4B3622S | TM8V100C16MP11C | 21.0 | CF/CM/CU42C | 1050 | 35.4 | 26.4 | 15.25 | 12.75 |
| TC4B3622S | TM8V100C16MP11C | 21.0 | CF/CM/CU48C | 1050 | 35.4 | 26.6 | 15.25 | 12.75 |
| TC4B3622S | TM8V100C16MP11C | 21.0 | CF/CM/CU48D | 1050 | 35.4 | 26.6 | 15.25 | 12.75 |
| TC4B3622S | TM8V100C16MP11C | 21.0 | CF/CM36D | 1050 | 35.2 | 26.6 | 15.25 | 12.75 |
| TC4B3622S | TM8V100C16MP11C | 21.0 | CF/CM42D | 1050 | 35.6 | 26.6 | 15.25 | 12.75 |
| TC4B3622S | TM8V100C16MP12C | 21.0 | CF/CM/CU36C | 1050 | 35.2 | 26.6 | 15.00 | 12.50 |
| TC4B3622S | TM8V100C16MP12C | 21.0 | CF/CM/CU42C | 1050 | 35.4 | 26.4 | 15.25 | 12.75 |
| TC4B3622S | TM8V100C16MP12C | 21.0 | CF/CM/CU48C | 1050 | 35.4 | 26.6 | 15.25 | 12.75 |
| TC4B3622S | TM8V100C16MP12C | 21.0 | CF/CM/CU48D | 1050 | 35.4 | 26.6 | 15.25 | 12.75 |
| TC4B3622S | TM8V100C16MP12C | 21.0 | CF/CM36D | 1050 | 35.2 | 26.6 | 15.25 | 12.75 |
| TC4B3622S | TM8V100C16MP12C | 21.0 | CF/CM42D | 1050 | 35.6 | 26.6 | 15.25 | 12.75 |
| TC4B3622S | TM8V100C20MP11C | 21.0 | CF/CM/CU36C | 1150 | 35.8 | 28.0 | 15.25 | 12.75 |
| TC4B3622S | TM8V100C20MP11C | 21.0 | CF/CM/CU42C | 1150 | 36.0 | 28.0 | 15.25 | 12.75 |
| TC4B3622S | TM8V100C20MP11C | 21.0 | CF/CM/CU48C | 1150 | 36.0 | 28.2 | 15.25 | 12.75 |

COOLING CAPACITY - With High Efficiency Motor Furnaces¹ (Continued)

| UNIT MODEL | FURNACE | | COIL MODEL ² | COOLING | | | | |
|---------------|-----------------|-------|----------------------------|--------------|---------|-------|-------|-------|
| | MODEL | WIDTH | | RATED CFM | NET MBH | | SEER | EER |
| | | | | | TOTAL | SENS. | | |
| TC4B3622S | TM8V100C20MP11C | 21.0 | CF/CM/CU48D | 1150 | 36.0 | 28.2 | 15.50 | 13.00 |
| TC4B3622S | TM8V100C20MP11C | 21.0 | CF/CM36D | 1150 | 35.8 | 28.0 | 15.25 | 12.75 |
| TC4B3622S | TM8V100C20MP11C | 21.0 | CF/CM42D | 1150 | 36.0 | 28.0 | 15.50 | 13.00 |
| TC4B3622S | TM8V100C20MP12C | 21.0 | CF/CM/CU36C | 1150 | 35.8 | 28.0 | 15.25 | 12.75 |
| TC4B3622S | TM8V100C20MP12C | 21.0 | CF/CM/CU42C | 1150 | 36.0 | 28.0 | 15.25 | 12.75 |
| TC4B3622S | TM8V100C20MP12C | 21.0 | CF/CM/CU48C | 1150 | 36.0 | 28.2 | 15.25 | 12.75 |
| TC4B3622S | TM8V100C20MP12C | 21.0 | CF/CM/CU48D | 1150 | 36.0 | 28.2 | 15.50 | 13.00 |
| TC4B3622S | TM8V100C20MP12C | 21.0 | CF/CM36D | 1150 | 35.8 | 28.0 | 15.25 | 12.75 |
| TC4B3622S | TM8V100C20MP12C | 21.0 | CF/CM42D | 1150 | 36.0 | 28.0 | 15.50 | 13.00 |
| TC4B3622S | TM8V120C20MP11C | 21.0 | CF/CM/CU36C | 1150 | 35.8 | 28.0 | 15.25 | 12.75 |
| TC4B3622S | TM8V120C20MP11C | 21.0 | CF/CM/CU42C | 1150 | 36.0 | 28.0 | 15.25 | 12.75 |
| TC4B3622S | TM8V120C20MP11C | 21.0 | CF/CM/CU48C | 1150 | 36.0 | 28.2 | 15.25 | 12.75 |
| TC4B3622S | TM8V120C20MP11C | 21.0 | CF/CM/CU48D | 1150 | 36.0 | 28.2 | 15.50 | 13.00 |
| TC4B3622S | TM8V120C20MP11C | 21.0 | CF/CM36D | 1150 | 35.8 | 28.0 | 15.25 | 12.75 |
| TC4B3622S | TM8V120C20MP11C | 21.0 | CF/CM42D | 1150 | 36.0 | 28.0 | 15.50 | 13.00 |
| TC4B3622S | TM8V120C20MP12C | 21.0 | CF/CM/CU36C | 1150 | 35.8 | 28.0 | 15.25 | 12.75 |
| TC4B3622S | TM8V120C20MP12C | 21.0 | CF/CM/CU42C | 1150 | 36.0 | 28.0 | 15.25 | 12.75 |
| TC4B3622S | TM8V120C20MP12C | 21.0 | CF/CM/CU48C | 1150 | 36.0 | 28.2 | 15.25 | 12.75 |
| TC4B3622S | TM8V120C20MP12C | 21.0 | CF/CM/CU48D | 1150 | 36.0 | 28.2 | 15.50 | 13.00 |
| TC4B3622S | TM8V120C20MP12C | 21.0 | CF/CM36D | 1150 | 35.8 | 28.0 | 15.25 | 12.75 |
| TC4B3622S | TM8V120C20MP12C | 21.0 | CF/CM42D | 1150 | 36.0 | 28.0 | 15.50 | 13.00 |
| TC4B3622S | TM8X060A12MP11 | 14.5 | CF/CM/CU36B | 1125 | 35.0 | 27.2 | 14.25 | 12.00 |
| TC4B3622S | TM8X060A12MP11 | 14.5 | CF/CM36A | 1075 | 34.8 | 26.6 | 14.00 | 12.00 |
| TC4B3622S | TM8X060A12MP11 | 14.5 | CF42B | 1125 | 35.4 | 27.2 | 14.25 | 12.25 |
| TC4B3622S | TM8X080B12MP11 | 17.5 | CF/CM/CU36B | 975 | 34.6 | 25.4 | 14.75 | 12.50 |
| TC4B3622S | TM8X080B12MP11 | 17.5 | CF/CM/CU36C | 1000 | 34.8 | 25.8 | 15.00 | 12.50 |
| TC4B3622S | TM8X080B12MP11 | 17.5 | CF/CM/CU42C | 1000 | 35.2 | 25.8 | 15.00 | 12.50 |
| TC4B3622S | TM8X080B12MP11 | 17.5 | CF/CM/CU48C | 1000 | 35.2 | 26.0 | 15.00 | 12.75 |
| TC4B3622S | TM8X080B12MP11 | 17.5 | CF42B | 1150 | 35.6 | 27.6 | 14.50 | 12.25 |
| TC4B3622S | TM8X080C16MP11 | 21.0 | CF/CM/CU36C | 1150 | 35.6 | 27.8 | 15.00 | 12.50 |
| TC4B3622S | TM8X080C16MP11 | 21.0 | CF/CM/CU42C | 1150 | 35.8 | 27.8 | 15.00 | 12.75 |
| TC4B3622S | TM8X080C16MP11 | 21.0 | CF/CM/CU48C | 1150 | 36.0 | 28.0 | 15.25 | 12.75 |
| TC4B3622S | TM8X080C16MP11 | 21.0 | CF/CM/CU48D | 975 | 35.2 | 25.6 | 15.25 | 12.75 |
| TC4B3622S | TM8X080C16MP11 | 21.0 | CF/CM36D | 975 | 34.8 | 25.6 | 15.25 | 12.75 |
| TC4B3622S | TM8X080C16MP11 | 21.0 | CF/CM42D | 975 | 34.8 | 25.6 | 15.25 | 12.75 |
| TC4B3622S | TM8X100C16MP11 | 21.0 | CF/CM/CU36C | 1150 | 35.6 | 27.8 | 15.00 | 12.50 |
| TC4B3622S | TM8X100C16MP11 | 21.0 | CF/CM/CU42C | 1150 | 35.8 | 27.8 | 15.00 | 12.75 |
| TC4B3622S | TM8X100C16MP11 | 21.0 | CF/CM/CU48C | 1150 | 36.0 | 28.0 | 15.25 | 12.75 |
| TC4B3622S | TM8X100C16MP11 | 21.0 | CF/CM/CU48D | 975 | 35.2 | 25.6 | 15.25 | 12.75 |
| TC4B3622S | TM8X100C16MP11 | 21.0 | CF/CM36D | 975 | 34.8 | 25.6 | 15.25 | 12.75 |
| TC4B3622S | TM8X100C16MP11 | 21.0 | CF/CM42D | 975 | 34.8 | 25.6 | 15.25 | 12.75 |
| TC4B3622S | TM8X100C20MP11 | 21.0 | CF/CM/CU36C | 1000 | 35.0 | 26.0 | 15.25 | 12.75 |
| TC4B3622S | TM8X100C20MP11 | 21.0 | CF/CM/CU42C | 1000 | 35.4 | 26.0 | 15.50 | 13.00 |
| TC4B3622S | TM8X100C20MP11 | 21.0 | CF/CM/CU48C | 1000 | 35.4 | 26.0 | 15.50 | 13.00 |
| TC4B3622S | TM8X100C20MP11 | 21.0 | CF/CM/CU48D | 1000 | 35.4 | 26.0 | 15.50 | 13.00 |
| TC4B3622S | TM8X100C20MP11 | 21.0 | CF/CM36D | 1000 | 35.0 | 26.0 | 15.50 | 12.75 |
| TC4B3622S | TM8X100C20MP11 | 21.0 | CF/CM42D | 1000 | 35.4 | 26.0 | 15.50 | 13.00 |
| TC4B3622S | TM8X120C20MP11 | 21.0 | CF/CM/CU36C | 1000 | 35.0 | 26.0 | 15.25 | 12.75 |
| TC4B3622S | TM8X120C20MP11 | 21.0 | CF/CM/CU42C | 1000 | 35.4 | 26.0 | 15.50 | 13.00 |
| TC4B3622S | TM8X120C20MP11 | 21.0 | CF/CM/CU48C | 1000 | 35.4 | 26.0 | 15.50 | 13.00 |
| TC4B3622S | TM8X120C20MP11 | 21.0 | CF/CM/CU48D | 1000 | 35.4 | 26.0 | 15.50 | 13.00 |
| TC4B3622S | TM8X120C20MP11 | 21.0 | CF/CM36D | 1000 | 35.0 | 26.0 | 15.50 | 12.75 |
| TC4B3622S | TM8X120C20MP11 | 21.0 | CF/CM42D | 1000 | 35.4 | 26.0 | 15.50 | 13.00 |

COOLING CAPACITY - With High Efficiency Motor Furnaces¹ (Continued)

| UNIT MODEL | FURNACE | | COIL MODEL ² | COOLING | | | | |
|---------------|----------------|-------|----------------------------|--------------|---------|-------|-------|-------|
| | MODEL | WIDTH | | RATED CFM | NET MBH | | SEER | EER |
| | | | | | TOTAL | SENS. | | |
| TC4B3622S | TM8Y060A12MP11 | 14.5 | CF/CM/CU36B | 1125 | 35.0 | 27.2 | 14.25 | 12.00 |
| TC4B3622S | TM8Y060A12MP11 | 14.5 | CF/CM36A | 1075 | 34.8 | 26.6 | 14.00 | 12.00 |
| TC4B3622S | TM8Y060A12MP11 | 14.5 | CF42B | 1125 | 35.4 | 27.2 | 14.25 | 12.25 |
| TC4B3622S | TM8Y080B12MP11 | 17.5 | CF/CM/CU36B | 975 | 34.6 | 25.4 | 14.75 | 12.50 |
| TC4B3622S | TM8Y080B12MP11 | 17.5 | CF/CM/CU36C | 1000 | 34.8 | 25.8 | 15.00 | 12.50 |
| TC4B3622S | TM8Y080B12MP11 | 17.5 | CF/CM/CU42C | 1000 | 35.2 | 25.8 | 15.00 | 12.50 |
| TC4B3622S | TM8Y080B12MP11 | 17.5 | CF/CM/CU48C | 1000 | 35.2 | 26.0 | 15.00 | 12.75 |
| TC4B3622S | TM8Y080B12MP11 | 17.5 | CF42B | 1150 | 35.6 | 27.6 | 14.50 | 12.25 |
| TC4B3622S | TM8Y080C16MP11 | 21.0 | CF/CM/CU36C | 1150 | 35.6 | 27.8 | 15.00 | 12.50 |
| TC4B3622S | TM8Y080C16MP11 | 21.0 | CF/CM/CU42C | 1150 | 35.8 | 27.8 | 15.00 | 12.75 |
| TC4B3622S | TM8Y080C16MP11 | 21.0 | CF/CM/CU48C | 1150 | 36.0 | 28.0 | 15.25 | 12.75 |
| TC4B3622S | TM8Y080C16MP11 | 21.0 | CF/CM/CU48D | 975 | 35.2 | 25.6 | 15.25 | 12.75 |
| TC4B3622S | TM8Y080C16MP11 | 21.0 | CF/CM36D | 975 | 34.8 | 25.6 | 15.25 | 12.75 |
| TC4B3622S | TM8Y080C16MP11 | 21.0 | CF/CM42D | 975 | 34.8 | 25.6 | 15.25 | 12.75 |
| TC4B3622S | TM8Y100C16MP11 | 21.0 | CF/CM/CU36C | 1150 | 35.6 | 27.8 | 15.00 | 12.50 |
| TC4B3622S | TM8Y100C16MP11 | 21.0 | CF/CM/CU42C | 1150 | 35.8 | 27.8 | 15.00 | 12.75 |
| TC4B3622S | TM8Y100C16MP11 | 21.0 | CF/CM/CU48C | 1150 | 36.0 | 28.0 | 15.25 | 12.75 |
| TC4B3622S | TM8Y100C16MP11 | 21.0 | CF/CM/CU48D | 975 | 35.2 | 25.6 | 15.25 | 12.75 |
| TC4B3622S | TM8Y100C16MP11 | 21.0 | CF/CM36D | 975 | 34.8 | 25.6 | 15.25 | 12.75 |
| TC4B3622S | TM8Y100C16MP11 | 21.0 | CF/CM42D | 975 | 34.8 | 25.6 | 15.25 | 12.75 |
| TC4B3622S | TM8Y100C20MP11 | 21.0 | CF/CM/CU36C | 1000 | 35.0 | 26.0 | 15.25 | 12.75 |
| TC4B3622S | TM8Y100C20MP11 | 21.0 | CF/CM/CU42C | 1000 | 35.4 | 26.0 | 15.50 | 13.00 |
| TC4B3622S | TM8Y100C20MP11 | 21.0 | CF/CM/CU48C | 1000 | 35.4 | 26.0 | 15.50 | 13.00 |
| TC4B3622S | TM8Y100C20MP11 | 21.0 | CF/CM/CU48D | 1000 | 35.4 | 26.0 | 15.50 | 13.00 |
| TC4B3622S | TM8Y100C20MP11 | 21.0 | CF/CM36D | 1000 | 35.0 | 26.0 | 15.50 | 12.75 |
| TC4B3622S | TM8Y100C20MP11 | 21.0 | CF/CM42D | 1000 | 35.4 | 26.0 | 15.50 | 13.00 |
| TC4B3622S | TM8Y120C20MP11 | 21.0 | CF/CM/CU36C | 1000 | 35.0 | 26.0 | 15.25 | 12.75 |
| TC4B3622S | TM8Y120C20MP11 | 21.0 | CF/CM/CU42C | 1000 | 35.4 | 26.0 | 15.50 | 13.00 |
| TC4B3622S | TM8Y120C20MP11 | 21.0 | CF/CM/CU48C | 1000 | 35.4 | 26.0 | 15.50 | 13.00 |
| TC4B3622S | TM8Y120C20MP11 | 21.0 | CF/CM/CU48D | 1000 | 35.4 | 26.0 | 15.50 | 13.00 |
| TC4B3622S | TM8Y120C20MP11 | 21.0 | CF/CM36D | 1000 | 35.0 | 26.0 | 15.50 | 12.75 |
| TC4B3622S | TM8Y120C20MP11 | 21.0 | CF/CM42D | 1000 | 35.4 | 26.0 | 15.50 | 13.00 |
| TC4B3622S | TM9E060A10MP12 | 14.5 | CF/CM/CU36B | 1025 | 34.8 | 25.8 | 14.00 | 11.75 |
| TC4B3622S | TM9E060A10MP12 | 14.5 | CF42B | 1025 | 35.0 | 26.0 | 14.00 | 11.75 |
| TC4B3622S | TM9E060B12MP11 | 17.5 | CF/CM/CU36B | 1100 | 34.8 | 26.8 | 14.00 | 12.00 |
| TC4B3622S | TM9E060B12MP11 | 17.5 | CF/CM/CU36C | 975 | 34.6 | 25.4 | 14.75 | 12.25 |
| TC4B3622S | TM9E060B12MP11 | 17.5 | CF/CM/CU42C | 975 | 34.6 | 25.2 | 14.75 | 12.25 |
| TC4B3622S | TM9E060B12MP11 | 17.5 | CF/CM/CU48C | 975 | 35.0 | 25.6 | 14.75 | 12.50 |
| TC4B3622S | TM9E060B12MP11 | 17.5 | CF42B | 1100 | 35.2 | 26.8 | 14.00 | 12.00 |
| TC4B3622S | TM9E060B12MP12 | 17.5 | CF/CM/CU36B | 1075 | 34.8 | 26.6 | 14.25 | 12.00 |
| TC4B3622S | TM9E060B12MP12 | 17.5 | CF/CM/CU36C | 1100 | 35.0 | 27.0 | 14.25 | 11.75 |
| TC4B3622S | TM9E060B12MP12 | 17.5 | CF/CM/CU42C | 1100 | 35.2 | 26.8 | 14.25 | 12.00 |
| TC4B3622S | TM9E060B12MP12 | 17.5 | CF/CM/CU48C | 1100 | 35.4 | 27.0 | 14.25 | 12.00 |
| TC4B3622S | TM9E060B12MP12 | 17.5 | CF42B | 1050 | 35.0 | 26.2 | 14.25 | 12.00 |
| TC4B3622S | TM9E080B12MP11 | 17.5 | CF/CM/CU36B | 975 | 34.6 | 25.4 | 14.75 | 12.25 |
| TC4B3622S | TM9E080B12MP11 | 17.5 | CF/CM/CU36C | 1175 | 35.4 | 27.8 | 14.50 | 12.25 |
| TC4B3622S | TM9E080B12MP11 | 17.5 | CF/CM/CU42C | 1000 | 35.0 | 25.8 | 15.00 | 12.50 |
| TC4B3622S | TM9E080B12MP11 | 17.5 | CF/CM/CU48C | 1000 | 35.2 | 26.0 | 15.00 | 12.50 |
| TC4B3622S | TM9E080B12MP11 | 17.5 | CF42B | 975 | 34.6 | 25.2 | 14.75 | 12.25 |
| TC4B3622S | TM9E080B12MP12 | 17.5 | CF/CM/CU36B | 1050 | 35.0 | 26.2 | 14.50 | 12.25 |
| TC4B3622S | TM9E080B12MP12 | 17.5 | CF/CM/CU36C | 1075 | 35.2 | 27.0 | 14.50 | 12.25 |
| TC4B3622S | TM9E080B12MP12 | 17.5 | CF/CM/CU42C | 1075 | 35.4 | 26.8 | 14.75 | 12.25 |
| TC4B3622S | TM9E080B12MP12 | 17.5 | CF/CM/CU48C | 1075 | 35.6 | 27.0 | 14.75 | 12.25 |

COOLING CAPACITY - With High Efficiency Motor Furnaces¹ (Continued)

| UNIT MODEL | FURNACE | | COIL MODEL ² | COOLING | | | | |
|---------------|-----------------|-------|----------------------------|--------------|---------|-------|-------|-------|
| | MODEL | WIDTH | | RATED CFM | NET MBH | | SEER | EER |
| | | | | | TOTAL | SENS. | | |
| TC4B3622S | TM9E080B12MP12 | 17.5 | CF42B | 1025 | 35.0 | 26.0 | 14.50 | 12.25 |
| TC4B3622S | TM9E080C16MP11 | 21.0 | CF/CM/CU36C | 975 | 34.8 | 25.6 | 15.00 | 12.50 |
| TC4B3622S | TM9E080C16MP11 | 21.0 | CF/CM/CU42C | 975 | 34.8 | 25.6 | 15.00 | 12.50 |
| TC4B3622S | TM9E080C16MP11 | 21.0 | CF/CM/CU48C | 975 | 35.2 | 25.6 | 15.00 | 12.75 |
| TC4B3622S | TM9E080C16MP11 | 21.0 | CF/CM/CU48D | 975 | 35.2 | 25.6 | 15.25 | 12.75 |
| TC4B3622S | TM9E080C16MP11 | 21.0 | CF/CM36D | 975 | 34.8 | 25.6 | 15.00 | 12.50 |
| TC4B3622S | TM9E080C16MP11 | 21.0 | CF/CM42D | 975 | 34.8 | 25.6 | 15.00 | 12.50 |
| TC4B3622S | TM9E080C16MP12 | 21.0 | CF/CM/CU36C | 1075 | 35.2 | 27.0 | 15.00 | 12.50 |
| TC4B3622S | TM9E080C16MP12 | 21.0 | CF/CM/CU42C | 1075 | 35.6 | 27.0 | 15.00 | 12.50 |
| TC4B3622S | TM9E080C16MP12 | 21.0 | CF/CM/CU48C | 1100 | 35.8 | 27.2 | 15.00 | 12.50 |
| TC4B3622S | TM9E080C16MP12 | 21.0 | CF/CM/CU48D | 1100 | 35.8 | 27.2 | 15.00 | 12.50 |
| TC4B3622S | TM9E080C16MP12 | 21.0 | CF/CM36D | 1100 | 35.2 | 27.2 | 14.75 | 12.25 |
| TC4B3622S | TM9E080C16MP12 | 21.0 | CF/CM42D | 1100 | 35.6 | 27.2 | 15.00 | 12.50 |
| TC4B3622S | TM9E080C20MP12 | 21.0 | CF/CM/CU36C | 1225 | 35.8 | 28.8 | 15.00 | 12.50 |
| TC4B3622S | TM9E080C20MP12 | 21.0 | CF/CM/CU42C | 1225 | 36.0 | 28.6 | 15.25 | 12.50 |
| TC4B3622S | TM9E080C20MP12 | 21.0 | CF/CM/CU48C | 1225 | 36.0 | 28.6 | 15.25 | 12.50 |
| TC4B3622S | TM9E080C20MP12 | 21.0 | CF/CM/CU48D | 1250 | 36.0 | 29.2 | 15.25 | 12.50 |
| TC4B3622S | TM9E080C20MP12 | 21.0 | CF/CM36D | 1250 | 36.0 | 29.0 | 15.00 | 12.50 |
| TC4B3622S | TM9E080C20MP12 | 21.0 | CF/CM42D | 1250 | 36.0 | 28.8 | 15.25 | 12.50 |
| TC4B3622S | TM9E100C16MP11 | 21.0 | CF/CM/CU36C | 975 | 34.8 | 25.6 | 15.00 | 12.50 |
| TC4B3622S | TM9E100C16MP11 | 21.0 | CF/CM/CU42C | 975 | 34.8 | 25.6 | 15.00 | 12.50 |
| TC4B3622S | TM9E100C16MP11 | 21.0 | CF/CM/CU48C | 1000 | 35.4 | 26.0 | 15.25 | 12.75 |
| TC4B3622S | TM9E100C16MP11 | 21.0 | CF/CM/CU48D | 1000 | 35.4 | 26.0 | 15.25 | 12.75 |
| TC4B3622S | TM9E100C16MP11 | 21.0 | CF/CM36D | 1000 | 35.0 | 25.8 | 15.25 | 12.75 |
| TC4B3622S | TM9E100C16MP11 | 21.0 | CF/CM42D | 1000 | 35.2 | 26.0 | 15.25 | 12.75 |
| TC4B3622S | TM9E100C16MP12 | 21.0 | CF/CM/CU36C | 1075 | 35.2 | 27.0 | 15.00 | 12.50 |
| TC4B3622S | TM9E100C16MP12 | 21.0 | CF/CM/CU42C | 1075 | 35.6 | 27.0 | 15.00 | 12.50 |
| TC4B3622S | TM9E100C16MP12 | 21.0 | CF/CM/CU48C | 1075 | 35.8 | 27.0 | 15.25 | 12.50 |
| TC4B3622S | TM9E100C16MP12 | 21.0 | CF/CM/CU48D | 1075 | 35.8 | 27.0 | 15.00 | 12.50 |
| TC4B3622S | TM9E100C16MP12 | 21.0 | CF/CM36D | 1075 | 35.2 | 27.0 | 15.00 | 12.50 |
| TC4B3622S | TM9E100C16MP12 | 21.0 | CF/CM42D | 1075 | 35.6 | 27.0 | 15.00 | 12.50 |
| TC4B3622S | TM9E100C20MP11 | 21.0 | CF/CM/CU36C | 1175 | 35.6 | 28.0 | 15.00 | 12.50 |
| TC4B3622S | TM9E100C20MP11 | 21.0 | CF/CM/CU42C | 1175 | 35.8 | 28.2 | 15.00 | 12.50 |
| TC4B3622S | TM9E100C20MP11 | 21.0 | CF/CM/CU48C | 1175 | 36.0 | 28.2 | 15.00 | 12.75 |
| TC4B3622S | TM9E100C20MP11 | 21.0 | CF/CM/CU48D | 1200 | 36.0 | 28.8 | 15.00 | 12.75 |
| TC4B3622S | TM9E100C20MP11 | 21.0 | CF/CM36D | 1200 | 35.8 | 28.4 | 15.00 | 12.50 |
| TC4B3622S | TM9E100C20MP11 | 21.0 | CF/CM42D | 1200 | 36.0 | 28.6 | 15.00 | 12.75 |
| TC4B3622S | TM9E100C20MP12 | 21.0 | CF/CM/CU36C | 1200 | 36.0 | 28.6 | 15.00 | 12.50 |
| TC4B3622S | TM9E100C20MP12 | 21.0 | CF/CM/CU42C | 1225 | 36.0 | 28.6 | 15.25 | 12.50 |
| TC4B3622S | TM9E100C20MP12 | 21.0 | CF/CM/CU48C | 1225 | 36.0 | 28.6 | 15.25 | 12.50 |
| TC4B3622S | TM9E100C20MP12 | 21.0 | CF/CM/CU48D | 1225 | 36.0 | 28.6 | 15.25 | 12.50 |
| TC4B3622S | TM9E100C20MP12 | 21.0 | CF/CM36D | 1225 | 36.0 | 29.0 | 15.00 | 12.50 |
| TC4B3622S | TM9E100C20MP12 | 21.0 | CF/CM42D | 1225 | 36.0 | 28.6 | 15.00 | 12.50 |
| TC4B3622S | TM9E120D20MP11 | 24.5 | CF/CM/CU48D | 1250 | 36.0 | 29.2 | 15.25 | 12.75 |
| TC4B3622S | TM9E120D20MP11 | 24.5 | CF/CM36D | 1250 | 36.0 | 29.0 | 15.00 | 12.75 |
| TC4B3622S | TM9E120D20MP11 | 24.5 | CF/CM42D | 1250 | 36.0 | 28.8 | 15.25 | 12.75 |
| TC4B3622S | TM9E120D20MP12 | 24.5 | CF/CM/CU48D | 1250 | 36.0 | 29.2 | 15.25 | 12.50 |
| TC4B3622S | TM9E120D20MP12 | 24.5 | CF/CM36D | 1250 | 35.8 | 28.8 | 15.00 | 12.50 |
| TC4B3622S | TM9E120D20MP12 | 24.5 | CF/CM42D | 1250 | 36.0 | 28.8 | 15.25 | 12.50 |
| TC4B3622S | TM9V060B12MP12C | 17.5 | CF/CM/CU36B | 1000 | 34.6 | 25.6 | 14.25 | 12.00 |
| TC4B3622S | TM9V060B12MP12C | 17.5 | CF/CM/CU36C | 1000 | 34.6 | 25.6 | 14.50 | 12.25 |
| TC4B3622S | TM9V060B12MP12C | 17.5 | CF/CM/CU42C | 1000 | 35.0 | 25.8 | 14.50 | 12.25 |
| TC4B3622S | TM9V060B12MP12C | 17.5 | CF/CM/CU48C | 1000 | 35.0 | 25.8 | 14.50 | 12.25 |

COOLING CAPACITY - With High Efficiency Motor Furnaces¹ (Continued)

| UNIT MODEL | FURNACE | | COIL MODEL ² | COOLING | | | | |
|---------------|-----------------|-------|----------------------------|--------------|---------|-------|-------|-------|
| | MODEL | WIDTH | | RATED CFM | NET MBH | | SEER | EER |
| | | | | | TOTAL | SENS. | | |
| TC4B3622S | TM9V060B12MP12C | 17.5 | CF42B | 1000 | 34.8 | 25.6 | 14.25 | 12.25 |
| TC4B3622S | TM9V080B12MP11C | 17.5 | CF/CM/CU36B | 975 | 34.6 | 25.4 | 14.75 | 12.25 |
| TC4B3622S | TM9V080B12MP11C | 17.5 | CF/CM/CU36C | 1050 | 35.0 | 26.2 | 14.75 | 12.25 |
| TC4B3622S | TM9V080B12MP11C | 17.5 | CF/CM/CU42C | 1050 | 35.4 | 26.4 | 14.75 | 12.50 |
| TC4B3622S | TM9V080B12MP11C | 17.5 | CF/CM/CU48C | 1050 | 35.4 | 26.6 | 15.00 | 12.50 |
| TC4B3622S | TM9V080B12MP11C | 17.5 | CF42B | 975 | 34.6 | 25.2 | 14.75 | 12.25 |
| TC4B3622S | TM9V080B12MP12C | 17.5 | CF/CM/CU36B | 975 | 34.6 | 25.4 | 14.75 | 12.25 |
| TC4B3622S | TM9V080B12MP12C | 17.5 | CF/CM/CU36C | 1050 | 35.0 | 26.2 | 14.75 | 12.25 |
| TC4B3622S | TM9V080B12MP12C | 17.5 | CF/CM/CU42C | 1050 | 35.4 | 26.4 | 14.75 | 12.50 |
| TC4B3622S | TM9V080B12MP12C | 17.5 | CF/CM/CU48C | 1050 | 35.4 | 26.6 | 15.00 | 12.50 |
| TC4B3622S | TM9V080B12MP12C | 17.5 | CF42B | 975 | 34.6 | 25.2 | 14.75 | 12.25 |
| TC4B3622S | TM9V080C16MP11C | 21.0 | CF/CM/CU36C | 1025 | 35.0 | 26.0 | 15.00 | 12.50 |
| TC4B3622S | TM9V080C16MP11C | 21.0 | CF/CM/CU42C | 1025 | 35.2 | 26.2 | 15.00 | 12.50 |
| TC4B3622S | TM9V080C16MP11C | 21.0 | CF/CM/CU48C | 1025 | 35.4 | 26.2 | 15.00 | 12.50 |
| TC4B3622S | TM9V080C16MP11C | 21.0 | CF/CM/CU48D | 1025 | 35.4 | 26.2 | 15.00 | 12.50 |
| TC4B3622S | TM9V080C16MP11C | 21.0 | CF/CM36D | 1025 | 35.0 | 26.0 | 15.00 | 12.50 |
| TC4B3622S | TM9V080C16MP11C | 21.0 | CF/CM42D | 1025 | 35.2 | 26.2 | 15.00 | 12.50 |
| TC4B3622S | TM9V080C16MP12C | 21.0 | CF/CM/CU36C | 1025 | 35.0 | 26.0 | 15.00 | 12.50 |
| TC4B3622S | TM9V080C16MP12C | 21.0 | CF/CM/CU42C | 1025 | 35.2 | 26.2 | 15.00 | 12.50 |
| TC4B3622S | TM9V080C16MP12C | 21.0 | CF/CM/CU48C | 1025 | 35.4 | 26.2 | 15.00 | 12.50 |
| TC4B3622S | TM9V080C16MP12C | 21.0 | CF/CM/CU48D | 1025 | 35.4 | 26.2 | 15.00 | 12.50 |
| TC4B3622S | TM9V080C16MP12C | 21.0 | CF/CM36D | 1025 | 35.0 | 26.0 | 15.00 | 12.50 |
| TC4B3622S | TM9V080C16MP12C | 21.0 | CF/CM42D | 1025 | 35.2 | 26.2 | 15.00 | 12.50 |
| TC4B3622S | TM9V100C16MP11C | 21.0 | CF/CM/CU36C | 1000 | 35.0 | 25.8 | 15.25 | 12.75 |
| TC4B3622S | TM9V100C16MP11C | 21.0 | CF/CM/CU42C | 1000 | 35.2 | 26.0 | 15.25 | 12.75 |
| TC4B3622S | TM9V100C16MP11C | 21.0 | CF/CM/CU48C | 1075 | 35.8 | 27.0 | 15.25 | 12.75 |
| TC4B3622S | TM9V100C16MP11C | 21.0 | CF/CM/CU48D | 975 | 35.2 | 25.6 | 15.25 | 12.75 |
| TC4B3622S | TM9V100C16MP11C | 21.0 | CF/CM36D | 1075 | 35.4 | 27.0 | 15.25 | 12.75 |
| TC4B3622S | TM9V100C16MP11C | 21.0 | CF/CM42D | 1075 | 35.6 | 27.0 | 15.25 | 12.75 |
| TC4B3622S | TM9V100C16MP12C | 21.0 | CF/CM/CU36C | 1000 | 35.0 | 25.8 | 15.25 | 12.75 |
| TC4B3622S | TM9V100C16MP12C | 21.0 | CF/CM/CU42C | 1000 | 35.2 | 26.0 | 15.25 | 12.75 |
| TC4B3622S | TM9V100C16MP12C | 21.0 | CF/CM/CU48C | 1075 | 35.8 | 27.0 | 15.25 | 12.75 |
| TC4B3622S | TM9V100C16MP12C | 21.0 | CF/CM/CU48D | 975 | 35.2 | 25.6 | 15.25 | 12.75 |
| TC4B3622S | TM9V100C16MP12C | 21.0 | CF/CM36D | 1075 | 35.4 | 27.0 | 15.25 | 12.75 |
| TC4B3622S | TM9V100C16MP12C | 21.0 | CF/CM42D | 1075 | 35.6 | 27.0 | 15.25 | 12.75 |
| TC4B3622S | TM9V100C20MP11C | 21.0 | CF/CM/CU36C | 1100 | 35.2 | 27.2 | 15.00 | 12.50 |
| TC4B3622S | TM9V100C20MP11C | 21.0 | CF/CM/CU42C | 1100 | 35.6 | 27.2 | 15.00 | 12.50 |
| TC4B3622S | TM9V100C20MP11C | 21.0 | CF/CM/CU48C | 1100 | 35.8 | 27.2 | 15.00 | 12.75 |
| TC4B3622S | TM9V100C20MP11C | 21.0 | CF/CM/CU48D | 1100 | 35.8 | 27.4 | 15.25 | 12.75 |
| TC4B3622S | TM9V100C20MP11C | 21.0 | CF/CM36D | 1100 | 35.4 | 27.2 | 15.00 | 12.50 |
| TC4B3622S | TM9V100C20MP11C | 21.0 | CF/CM42D | 1100 | 35.6 | 27.2 | 15.25 | 12.75 |
| TC4B3622S | TM9V100C20MP12C | 21.0 | CF/CM/CU36C | 1100 | 35.2 | 27.2 | 15.00 | 12.50 |
| TC4B3622S | TM9V100C20MP12C | 21.0 | CF/CM/CU42C | 1100 | 35.6 | 27.2 | 15.00 | 12.50 |
| TC4B3622S | TM9V100C20MP12C | 21.0 | CF/CM/CU48C | 1100 | 35.8 | 27.2 | 15.00 | 12.75 |
| TC4B3622S | TM9V100C20MP12C | 21.0 | CF/CM/CU48D | 1100 | 35.8 | 27.4 | 15.25 | 12.75 |
| TC4B3622S | TM9V100C20MP12C | 21.0 | CF/CM36D | 1100 | 35.4 | 27.2 | 15.00 | 12.50 |
| TC4B3622S | TM9V100C20MP12C | 21.0 | CF/CM42D | 1100 | 35.6 | 27.2 | 15.25 | 12.75 |
| TC4B3622S | TM9V120D20MP11C | 24.5 | CF/CM/CU48D | 1050 | 35.6 | 26.8 | 15.50 | 13.00 |
| TC4B3622S | TM9V120D20MP11C | 24.5 | CF/CM36D | 1050 | 35.2 | 26.6 | 15.25 | 12.75 |
| TC4B3622S | TM9V120D20MP11C | 24.5 | CF/CM42D | 1050 | 35.6 | 26.4 | 15.50 | 13.00 |
| TC4B3622S | TM9V120D20MP12C | 24.5 | CF/CM/CU48D | 1050 | 35.6 | 26.8 | 15.50 | 13.00 |
| TC4B3622S | TM9V120D20MP12C | 24.5 | CF/CM36D | 1050 | 35.2 | 26.6 | 15.25 | 12.75 |
| TC4B3622S | TM9V120D20MP12C | 24.5 | CF/CM42D | 1050 | 35.6 | 26.4 | 15.50 | 13.00 |

COOLING CAPACITY - With High Efficiency Motor Furnaces¹ (Continued)

| UNIT MODEL | FURNACE | | COIL MODEL ² | COOLING | | | | |
|---------------|-----------------|-------|----------------------------|--------------|---------|-------|-------|-------|
| | MODEL | WIDTH | | RATED CFM | NET MBH | | SEER | EER |
| | | | | | TOTAL | SENS. | | |
| TC4B3622S | TM9Y060B12MP11 | 17.5 | CF/CM/CU36B | 1100 | 34.8 | 26.8 | 14.00 | 12.00 |
| TC4B3622S | TM9Y060B12MP11 | 17.5 | CF/CM/CU36C | 975 | 34.6 | 25.4 | 14.75 | 12.25 |
| TC4B3622S | TM9Y060B12MP11 | 17.5 | CF/CM/CU42C | 975 | 34.6 | 25.2 | 14.75 | 12.25 |
| TC4B3622S | TM9Y060B12MP11 | 17.5 | CF/CM/CU48C | 975 | 35.0 | 25.6 | 14.75 | 12.50 |
| TC4B3622S | TM9Y060B12MP11 | 17.5 | CF42B | 1100 | 35.2 | 26.8 | 14.00 | 12.00 |
| TC4B3622S | TM9Y080B12MP11 | 17.5 | CF/CM/CU36B | 975 | 34.6 | 25.4 | 14.75 | 12.25 |
| TC4B3622S | TM9Y080B12MP11 | 17.5 | CF/CM/CU36C | 1175 | 35.4 | 27.8 | 14.50 | 12.25 |
| TC4B3622S | TM9Y080B12MP11 | 17.5 | CF/CM/CU42C | 1000 | 35.0 | 25.8 | 15.00 | 12.50 |
| TC4B3622S | TM9Y080B12MP11 | 17.5 | CF/CM/CU48C | 1000 | 35.2 | 26.0 | 15.00 | 12.50 |
| TC4B3622S | TM9Y080B12MP11 | 17.5 | CF42B | 975 | 34.6 | 25.2 | 14.75 | 12.25 |
| TC4B3622S | TM9Y080C16MP11 | 21.0 | CF/CM/CU36C | 975 | 34.8 | 25.6 | 15.00 | 12.50 |
| TC4B3622S | TM9Y080C16MP11 | 21.0 | CF/CM/CU42C | 975 | 34.8 | 25.6 | 15.00 | 12.50 |
| TC4B3622S | TM9Y080C16MP11 | 21.0 | CF/CM/CU48C | 975 | 35.2 | 25.6 | 15.00 | 12.75 |
| TC4B3622S | TM9Y080C16MP11 | 21.0 | CF/CM/CU48D | 975 | 35.2 | 25.6 | 15.25 | 12.75 |
| TC4B3622S | TM9Y080C16MP11 | 21.0 | CF/CM36D | 975 | 34.8 | 25.6 | 15.00 | 12.50 |
| TC4B3622S | TM9Y080C16MP11 | 21.0 | CF/CM42D | 975 | 34.8 | 25.6 | 15.00 | 12.50 |
| TC4B3622S | TM9Y100C16MP11 | 21.0 | CF/CM/CU36C | 975 | 34.8 | 25.6 | 15.00 | 12.50 |
| TC4B3622S | TM9Y100C16MP11 | 21.0 | CF/CM/CU42C | 975 | 34.8 | 25.6 | 15.00 | 12.50 |
| TC4B3622S | TM9Y100C16MP11 | 21.0 | CF/CM/CU48C | 1000 | 35.4 | 26.0 | 15.25 | 12.75 |
| TC4B3622S | TM9Y100C16MP11 | 21.0 | CF/CM/CU48D | 1000 | 35.4 | 26.0 | 15.25 | 12.75 |
| TC4B3622S | TM9Y100C16MP11 | 21.0 | CF/CM36D | 1000 | 35.0 | 25.8 | 15.25 | 12.75 |
| TC4B3622S | TM9Y100C16MP11 | 21.0 | CF/CM42D | 1000 | 35.2 | 26.0 | 15.25 | 12.75 |
| TC4B3622S | TM9Y100C20MP11 | 21.0 | CF/CM/CU36C | 1175 | 35.6 | 28.0 | 15.00 | 12.50 |
| TC4B3622S | TM9Y100C20MP11 | 21.0 | CF/CM/CU42C | 1175 | 35.8 | 28.2 | 15.00 | 12.50 |
| TC4B3622S | TM9Y100C20MP11 | 21.0 | CF/CM/CU48C | 1175 | 36.0 | 28.2 | 15.00 | 12.75 |
| TC4B3622S | TM9Y100C20MP11 | 21.0 | CF/CM/CU48D | 1200 | 36.0 | 28.8 | 15.00 | 12.75 |
| TC4B3622S | TM9Y100C20MP11 | 21.0 | CF/CM36D | 1200 | 35.8 | 28.4 | 15.00 | 12.50 |
| TC4B3622S | TM9Y100C20MP11 | 21.0 | CF/CM42D | 1200 | 36.0 | 28.6 | 15.00 | 12.75 |
| TC4B3622S | TM9Y120D20MP11 | 24.5 | CF/CM/CU48D | 1250 | 36.0 | 29.2 | 15.25 | 12.75 |
| TC4B3622S | TM9Y120D20MP11 | 24.5 | CF/CM36D | 1250 | 36.0 | 29.0 | 15.00 | 12.75 |
| TC4B3622S | TM9Y120D20MP11 | 24.5 | CF/CM42D | 1250 | 36.0 | 28.8 | 15.25 | 12.75 |
| TC4B3622S | TMLV060A12MP11C | 14.5 | CF/CM/CU36B | 975 | 34.6 | 25.4 | 14.75 | 12.25 |
| TC4B3622S | TMLV060A12MP11C | 14.5 | CF/CM36A | 975 | 34.4 | 25.2 | 14.50 | 12.00 |
| TC4B3622S | TMLV060A12MP11C | 14.5 | CF42B | 975 | 34.6 | 25.2 | 14.75 | 12.25 |
| TC4B3622S | TMLV060A12MP12C | 14.5 | CF/CM/CU36B | 975 | 34.6 | 25.4 | 14.75 | 12.25 |
| TC4B3622S | TMLV060A12MP12C | 14.5 | CF/CM36A | 975 | 34.4 | 25.2 | 14.50 | 12.00 |
| TC4B3622S | TMLV060A12MP12C | 14.5 | CF42B | 975 | 34.6 | 25.2 | 14.75 | 12.25 |
| TC4B3622S | TMLV080B12MP11C | 17.5 | CF/CM/CU36B | 1000 | 34.6 | 25.6 | 14.25 | 12.00 |
| TC4B3622S | TMLV080B12MP11C | 17.5 | CF/CM/CU36C | 1000 | 34.6 | 25.6 | 14.50 | 12.25 |
| TC4B3622S | TMLV080B12MP11C | 17.5 | CF/CM/CU42C | 1000 | 35.0 | 25.8 | 14.50 | 12.25 |
| TC4B3622S | TMLV080B12MP11C | 17.5 | CF/CM/CU48C | 1000 | 35.0 | 25.8 | 14.50 | 12.25 |
| TC4B3622S | TMLV080B12MP11C | 17.5 | CF42B | 1000 | 34.8 | 25.6 | 14.25 | 12.00 |
| TC4B3622S | TMLV080B12MP12C | 17.5 | CF/CM/CU36B | 1000 | 34.6 | 25.6 | 14.25 | 12.00 |
| TC4B3622S | TMLV080B12MP12C | 17.5 | CF/CM/CU36C | 1000 | 34.6 | 25.6 | 14.50 | 12.25 |
| TC4B3622S | TMLV080B12MP12C | 17.5 | CF/CM/CU42C | 1000 | 35.0 | 25.8 | 14.50 | 12.25 |
| TC4B3622S | TMLV080B12MP12C | 17.5 | CF/CM/CU48C | 1000 | 35.0 | 25.8 | 14.50 | 12.25 |
| TC4B3622S | TMLV080B12MP12C | 17.5 | CF42B | 1000 | 34.8 | 25.6 | 14.25 | 12.00 |
| TC4B3622S | TMLV080C16MP11C | 21.0 | CF/CM/CU36C | 1050 | 35.2 | 26.6 | 15.00 | 12.50 |
| TC4B3622S | TMLV080C16MP11C | 21.0 | CF/CM/CU42C | 1050 | 35.4 | 26.4 | 15.25 | 12.75 |
| TC4B3622S | TMLV080C16MP11C | 21.0 | CF/CM/CU48C | 1050 | 35.4 | 26.6 | 15.25 | 12.75 |
| TC4B3622S | TMLV080C16MP11C | 21.0 | CF/CM/CU48D | 1050 | 35.4 | 26.6 | 15.25 | 12.75 |
| TC4B3622S | TMLV080C16MP11C | 21.0 | CF/CM36D | 1050 | 35.2 | 26.6 | 15.25 | 12.75 |
| TC4B3622S | TMLV080C16MP11C | 21.0 | CF/CM42D | 1050 | 35.6 | 26.6 | 15.25 | 12.75 |

COOLING CAPACITY - With High Efficiency Motor Furnaces¹ (Continued)

| UNIT MODEL | FURNACE | | COIL MODEL ² | COOLING | | | | |
|---------------|-----------------|-------|----------------------------|--------------|---------|-------|-------|-------|
| | MODEL | WIDTH | | RATED CFM | NET MBH | | SEER | EER |
| | | | | | TOTAL | SENS. | | |
| TC4B3622S | TMLV080C16MP12C | 21.0 | CF/CM/CU36C | 1050 | 35.2 | 26.6 | 15.00 | 12.50 |
| TC4B3622S | TMLV080C16MP12C | 21.0 | CF/CM/CU42C | 1050 | 35.4 | 26.4 | 15.25 | 12.75 |
| TC4B3622S | TMLV080C16MP12C | 21.0 | CF/CM/CU48C | 1050 | 35.4 | 26.6 | 15.25 | 12.75 |
| TC4B3622S | TMLV080C16MP12C | 21.0 | CF/CM/CU48D | 1050 | 35.4 | 26.6 | 15.25 | 12.75 |
| TC4B3622S | TMLV080C16MP12C | 21.0 | CF/CM36D | 1050 | 35.2 | 26.6 | 15.25 | 12.75 |
| TC4B3622S | TMLV080C16MP12C | 21.0 | CF/CM42D | 1050 | 35.6 | 26.6 | 15.25 | 12.75 |
| TC4B3622S | TMLV100C16MP11C | 21.0 | CF/CM/CU36C | 1050 | 35.2 | 26.6 | 15.00 | 12.50 |
| TC4B3622S | TMLV100C16MP11C | 21.0 | CF/CM/CU42C | 1050 | 35.4 | 26.4 | 15.25 | 12.75 |
| TC4B3622S | TMLV100C16MP11C | 21.0 | CF/CM/CU48C | 1050 | 35.4 | 26.6 | 15.25 | 12.75 |
| TC4B3622S | TMLV100C16MP11C | 21.0 | CF/CM/CU48D | 1050 | 35.4 | 26.6 | 15.25 | 12.75 |
| TC4B3622S | TMLV100C16MP11C | 21.0 | CF/CM36D | 1050 | 35.2 | 26.6 | 15.25 | 12.75 |
| TC4B3622S | TMLV100C16MP11C | 21.0 | CF/CM42D | 1050 | 35.6 | 26.6 | 15.25 | 12.75 |
| TC4B3622S | TMLV100C16MP12C | 21.0 | CF/CM/CU36C | 1050 | 35.2 | 26.6 | 15.00 | 12.50 |
| TC4B3622S | TMLV100C16MP12C | 21.0 | CF/CM/CU42C | 1050 | 35.4 | 26.4 | 15.25 | 12.75 |
| TC4B3622S | TMLV100C16MP12C | 21.0 | CF/CM/CU48C | 1050 | 35.4 | 26.6 | 15.25 | 12.75 |
| TC4B3622S | TMLV100C16MP12C | 21.0 | CF/CM/CU48D | 1050 | 35.4 | 26.6 | 15.25 | 12.75 |
| TC4B3622S | TMLV100C16MP12C | 21.0 | CF/CM36D | 1050 | 35.2 | 26.6 | 15.25 | 12.75 |
| TC4B3622S | TMLV100C16MP12C | 21.0 | CF/CM42D | 1050 | 35.6 | 26.6 | 15.25 | 12.75 |
| TC4B3622S | TMLV100C20MP11C | 21.0 | CF/CM/CU36C | 1150 | 35.8 | 28.0 | 15.25 | 12.75 |
| TC4B3622S | TMLV100C20MP11C | 21.0 | CF/CM/CU42C | 1150 | 36.0 | 28.0 | 15.25 | 12.75 |
| TC4B3622S | TMLV100C20MP11C | 21.0 | CF/CM/CU48C | 1150 | 36.0 | 28.2 | 15.25 | 12.75 |
| TC4B3622S | TMLV100C20MP11C | 21.0 | CF/CM/CU48D | 1150 | 36.0 | 28.2 | 15.50 | 13.00 |
| TC4B3622S | TMLV100C20MP11C | 21.0 | CF/CM36D | 1150 | 35.8 | 28.0 | 15.25 | 12.75 |
| TC4B3622S | TMLV100C20MP11C | 21.0 | CF/CM42D | 1150 | 36.0 | 28.0 | 15.50 | 13.00 |
| TC4B3622S | TMLV100C20MP12C | 21.0 | CF/CM/CU36C | 1150 | 35.8 | 28.0 | 15.25 | 12.75 |
| TC4B3622S | TMLV100C20MP12C | 21.0 | CF/CM/CU42C | 1150 | 36.0 | 28.0 | 15.25 | 12.75 |
| TC4B3622S | TMLV100C20MP12C | 21.0 | CF/CM/CU48C | 1150 | 36.0 | 28.2 | 15.25 | 12.75 |
| TC4B3622S | TMLV100C20MP12C | 21.0 | CF/CM/CU48D | 1150 | 36.0 | 28.2 | 15.50 | 13.00 |
| TC4B3622S | TMLV100C20MP12C | 21.0 | CF/CM36D | 1150 | 35.8 | 28.0 | 15.25 | 12.75 |
| TC4B3622S | TMLV100C20MP12C | 21.0 | CF/CM42D | 1150 | 36.0 | 28.0 | 15.50 | 13.00 |
| TC4B3622S | TMLV120C20MP11C | 21.0 | CF/CM/CU36C | 1150 | 35.8 | 28.0 | 15.25 | 12.75 |
| TC4B3622S | TMLV120C20MP11C | 21.0 | CF/CM/CU42C | 1150 | 36.0 | 28.0 | 15.25 | 12.75 |
| TC4B3622S | TMLV120C20MP11C | 21.0 | CF/CM/CU48C | 1150 | 36.0 | 28.2 | 15.25 | 12.75 |
| TC4B3622S | TMLV120C20MP11C | 21.0 | CF/CM/CU48D | 1150 | 36.0 | 28.2 | 15.50 | 13.00 |
| TC4B3622S | TMLV120C20MP11C | 21.0 | CF/CM36D | 1150 | 35.8 | 28.0 | 15.25 | 12.75 |
| TC4B3622S | TMLV120C20MP11C | 21.0 | CF/CM42D | 1150 | 36.0 | 28.0 | 15.50 | 13.00 |
| TC4B3622S | TMLV120C20MP12C | 21.0 | CF/CM/CU36C | 1150 | 35.8 | 28.0 | 15.25 | 12.75 |
| TC4B3622S | TMLV120C20MP12C | 21.0 | CF/CM/CU42C | 1150 | 36.0 | 28.0 | 15.25 | 12.75 |
| TC4B3622S | TMLV120C20MP12C | 21.0 | CF/CM/CU48C | 1150 | 36.0 | 28.2 | 15.25 | 12.75 |
| TC4B3622S | TMLV120C20MP12C | 21.0 | CF/CM/CU48D | 1150 | 36.0 | 28.2 | 15.50 | 13.00 |
| TC4B3622S | TMLV120C20MP12C | 21.0 | CF/CM36D | 1150 | 35.8 | 28.0 | 15.25 | 12.75 |
| TC4B3622S | TMLV120C20MP12C | 21.0 | CF/CM42D | 1150 | 36.0 | 28.0 | 15.50 | 13.00 |
| TC4B3622S | TMLX060A12MP11 | 14.5 | CF/CM/CU36B | 1125 | 35.0 | 27.2 | 14.25 | 12.00 |
| TC4B3622S | TMLX060A12MP11 | 14.5 | CF/CM36A | 1075 | 34.8 | 26.6 | 14.00 | 12.00 |
| TC4B3622S | TMLX060A12MP11 | 14.5 | CF42B | 1125 | 35.4 | 27.2 | 14.25 | 12.25 |
| TC4B3622S | TMLX080B12MP11 | 17.5 | CF/CM/CU36B | 975 | 34.6 | 25.4 | 14.75 | 12.50 |
| TC4B3622S | TMLX080B12MP11 | 17.5 | CF/CM/CU36C | 1000 | 34.8 | 25.8 | 15.00 | 12.50 |
| TC4B3622S | TMLX080B12MP11 | 17.5 | CF/CM/CU42C | 1000 | 35.2 | 25.8 | 15.00 | 12.50 |
| TC4B3622S | TMLX080B12MP11 | 17.5 | CF/CM/CU48C | 1000 | 35.2 | 26.0 | 15.00 | 12.75 |
| TC4B3622S | TMLX080B12MP11 | 17.5 | CF42B | 1150 | 35.6 | 27.6 | 14.50 | 12.25 |
| TC4B3622S | TMLX080C16MP11 | 21.0 | CF/CM/CU36C | 1150 | 35.6 | 27.8 | 15.00 | 12.50 |
| TC4B3622S | TMLX080C16MP11 | 21.0 | CF/CM/CU42C | 1150 | 35.8 | 27.8 | 15.00 | 12.75 |
| TC4B3622S | TMLX080C16MP11 | 21.0 | CF/CM/CU48C | 1150 | 36.0 | 28.0 | 15.25 | 12.75 |

COOLING CAPACITY - With High Efficiency Motor Furnaces¹ (Continued)

| UNIT MODEL | FURNACE | | COIL MODEL ² | COOLING | | | | |
|---------------|-----------------|-------|----------------------------|--------------|---------|-------|-------|-------|
| | MODEL | WIDTH | | RATED CFM | NET MBH | | SEER | EER |
| | | | | | TOTAL | SENS. | | |
| TC4B3622S | TMLX080C16MP11 | 21.0 | CF/CM/CU48D | 975 | 35.2 | 25.6 | 15.25 | 12.75 |
| TC4B3622S | TMLX080C16MP11 | 21.0 | CF/CM36D | 975 | 34.8 | 25.6 | 15.25 | 12.75 |
| TC4B3622S | TMLX080C16MP11 | 21.0 | CF/CM42D | 975 | 34.8 | 25.6 | 15.25 | 12.75 |
| TC4B3622S | TMLX100C16MP11 | 21.0 | CF/CM/CU36C | 1150 | 35.6 | 27.8 | 15.00 | 12.50 |
| TC4B3622S | TMLX100C16MP11 | 21.0 | CF/CM/CU42C | 1150 | 35.8 | 27.8 | 15.00 | 12.75 |
| TC4B3622S | TMLX100C16MP11 | 21.0 | CF/CM/CU48C | 1150 | 36.0 | 28.0 | 15.25 | 12.75 |
| TC4B3622S | TMLX100C16MP11 | 21.0 | CF/CM/CU48D | 975 | 35.2 | 25.6 | 15.25 | 12.75 |
| TC4B3622S | TMLX100C16MP11 | 21.0 | CF/CM36D | 975 | 34.8 | 25.6 | 15.25 | 12.75 |
| TC4B3622S | TMLX100C16MP11 | 21.0 | CF/CM42D | 975 | 34.8 | 25.6 | 15.25 | 12.75 |
| TC4B3622S | TMLX100C20MP11 | 21.0 | CF/CM/CU36C | 1000 | 35.0 | 26.0 | 15.25 | 12.75 |
| TC4B3622S | TMLX100C20MP11 | 21.0 | CF/CM/CU42C | 1000 | 35.4 | 26.0 | 15.50 | 13.00 |
| TC4B3622S | TMLX100C20MP11 | 21.0 | CF/CM/CU48C | 1000 | 35.4 | 26.0 | 15.50 | 13.00 |
| TC4B3622S | TMLX100C20MP11 | 21.0 | CF/CM/CU48D | 1000 | 35.4 | 26.0 | 15.50 | 13.00 |
| TC4B3622S | TMLX100C20MP11 | 21.0 | CF/CM36D | 1000 | 35.0 | 26.0 | 15.50 | 12.75 |
| TC4B3622S | TMLX100C20MP11 | 21.0 | CF/CM42D | 1000 | 35.4 | 26.0 | 15.50 | 13.00 |
| TC4B3622S | TMLX120C20MP11 | 21.0 | CF/CM/CU36C | 1000 | 35.0 | 26.0 | 15.25 | 12.75 |
| TC4B3622S | TMLX120C20MP11 | 21.0 | CF/CM/CU42C | 1000 | 35.4 | 26.0 | 15.50 | 13.00 |
| TC4B3622S | TMLX120C20MP11 | 21.0 | CF/CM/CU48C | 1000 | 35.4 | 26.0 | 15.50 | 13.00 |
| TC4B3622S | TMLX120C20MP11 | 21.0 | CF/CM/CU48D | 1000 | 35.4 | 26.0 | 15.50 | 13.00 |
| TC4B3622S | TMLX120C20MP11 | 21.0 | CF/CM36D | 1000 | 35.0 | 26.0 | 15.50 | 12.75 |
| TC4B3622S | TMLX120C20MP11 | 21.0 | CF/CM42D | 1000 | 35.4 | 26.0 | 15.50 | 13.00 |
| TC4B3622S | TP9C060B12MP13C | 17.5 | CF/CM/CU36B | 1000 | 34.6 | 25.6 | 14.25 | 12.00 |
| TC4B3622S | TP9C060B12MP13C | 17.5 | CF/CM/CU36C | 1000 | 34.6 | 25.6 | 14.50 | 12.25 |
| TC4B3622S | TP9C060B12MP13C | 17.5 | CF/CM/CU42C | 1000 | 35.0 | 25.8 | 14.50 | 12.25 |
| TC4B3622S | TP9C060B12MP13C | 17.5 | CF/CM/CU48C | 1000 | 35.0 | 25.8 | 14.50 | 12.25 |
| TC4B3622S | TP9C060B12MP13C | 17.5 | CF42B | 1000 | 34.8 | 25.6 | 14.25 | 12.25 |
| TC4B3622S | TP9C080B12MP12C | 17.5 | CF/CM/CU36B | 975 | 34.6 | 25.4 | 14.75 | 12.25 |
| TC4B3622S | TP9C080B12MP12C | 17.5 | CF/CM/CU36C | 1050 | 35.0 | 26.2 | 14.75 | 12.25 |
| TC4B3622S | TP9C080B12MP12C | 17.5 | CF/CM/CU42C | 1050 | 35.4 | 26.4 | 14.75 | 12.50 |
| TC4B3622S | TP9C080B12MP12C | 17.5 | CF/CM/CU48C | 1050 | 35.4 | 26.6 | 15.00 | 12.50 |
| TC4B3622S | TP9C080B12MP12C | 17.5 | CF42B | 975 | 34.6 | 25.2 | 14.75 | 12.25 |
| TC4B3622S | TP9C080B12MP13C | 17.5 | CF/CM/CU36B | 975 | 34.6 | 25.4 | 14.75 | 12.25 |
| TC4B3622S | TP9C080B12MP13C | 17.5 | CF/CM/CU36C | 1050 | 35.0 | 26.2 | 14.75 | 12.25 |
| TC4B3622S | TP9C080B12MP13C | 17.5 | CF/CM/CU42C | 1050 | 35.4 | 26.4 | 14.75 | 12.50 |
| TC4B3622S | TP9C080B12MP13C | 17.5 | CF/CM/CU48C | 1050 | 35.4 | 26.6 | 15.00 | 12.50 |
| TC4B3622S | TP9C080B12MP13C | 17.5 | CF42B | 975 | 34.6 | 25.2 | 14.75 | 12.25 |
| TC4B3622S | TP9C080C16MP13C | 21.0 | CF/CM/CU36C | 1025 | 35.0 | 26.0 | 15.00 | 12.50 |
| TC4B3622S | TP9C080C16MP13C | 21.0 | CF/CM/CU42C | 1025 | 35.2 | 26.2 | 15.00 | 12.50 |
| TC4B3622S | TP9C080C16MP13C | 21.0 | CF/CM/CU48C | 1025 | 35.4 | 26.2 | 15.00 | 12.50 |
| TC4B3622S | TP9C080C16MP13C | 21.0 | CF/CM/CU48D | 1025 | 35.4 | 26.2 | 15.00 | 12.50 |
| TC4B3622S | TP9C080C16MP13C | 21.0 | CF/CM36D | 1025 | 35.0 | 26.0 | 15.00 | 12.50 |
| TC4B3622S | TP9C080C16MP13C | 21.0 | CF/CM42D | 1025 | 35.2 | 26.2 | 15.00 | 12.50 |
| TC4B3622S | TP9C100C16MP12C | 21.0 | CF/CM/CU36C | 1000 | 35.0 | 25.8 | 15.25 | 12.75 |
| TC4B3622S | TP9C100C16MP12C | 21.0 | CF/CM/CU42C | 1000 | 35.2 | 26.0 | 15.25 | 12.75 |
| TC4B3622S | TP9C100C16MP12C | 21.0 | CF/CM/CU48C | 1075 | 35.8 | 27.0 | 15.25 | 12.75 |
| TC4B3622S | TP9C100C16MP12C | 21.0 | CF/CM/CU48D | 975 | 35.2 | 25.6 | 15.25 | 12.75 |
| TC4B3622S | TP9C100C16MP12C | 21.0 | CF/CM36D | 1075 | 35.4 | 27.0 | 15.25 | 12.75 |
| TC4B3622S | TP9C100C16MP12C | 21.0 | CF/CM42D | 1075 | 35.6 | 27.0 | 15.25 | 12.75 |
| TC4B3622S | TP9C100C16MP13C | 21.0 | CF/CM/CU36C | 1000 | 35.0 | 25.8 | 15.25 | 12.75 |
| TC4B3622S | TP9C100C16MP13C | 21.0 | CF/CM/CU42C | 1000 | 35.2 | 26.0 | 15.25 | 12.75 |
| TC4B3622S | TP9C100C16MP13C | 21.0 | CF/CM/CU48C | 1075 | 35.8 | 27.0 | 15.25 | 12.75 |
| TC4B3622S | TP9C100C16MP13C | 21.0 | CF/CM/CU48D | 975 | 35.2 | 25.6 | 15.25 | 12.75 |
| TC4B3622S | TP9C100C16MP13C | 21.0 | CF/CM36D | 1075 | 35.4 | 27.0 | 15.25 | 12.75 |

COOLING CAPACITY - With High Efficiency Motor Furnaces¹ (Continued)

| UNIT MODEL | FURNACE | | COIL MODEL ² | COOLING | | | | |
|---------------|-----------------|-------|----------------------------|--------------|---------|-------|-------|-------|
| | MODEL | WIDTH | | RATED CFM | NET MBH | | SEER | EER |
| | | | | | TOTAL | SENS. | | |
| TC4B3622S | TP9C100C16MP13C | 21.0 | CF/CM42D | 1075 | 35.6 | 27.0 | 15.25 | 12.75 |
| TC4B3622S | TP9C100C20MP12C | 21.0 | CF/CM/CU36C | 1100 | 35.2 | 27.2 | 15.00 | 12.50 |
| TC4B3622S | TP9C100C20MP12C | 21.0 | CF/CM/CU42C | 1100 | 35.6 | 27.2 | 15.00 | 12.50 |
| TC4B3622S | TP9C100C20MP12C | 21.0 | CF/CM/CU48C | 1100 | 35.8 | 27.2 | 15.00 | 12.75 |
| TC4B3622S | TP9C100C20MP12C | 21.0 | CF/CM/CU48D | 1100 | 35.8 | 27.4 | 15.25 | 12.75 |
| TC4B3622S | TP9C100C20MP12C | 21.0 | CF/CM36D | 1100 | 35.4 | 27.2 | 15.00 | 12.50 |
| TC4B3622S | TP9C100C20MP12C | 21.0 | CF/CM42D | 1100 | 35.6 | 27.2 | 15.25 | 12.75 |
| TC4B3622S | TP9C100C20MP13C | 21.0 | CF/CM/CU36C | 1100 | 35.2 | 27.2 | 15.00 | 12.50 |
| TC4B3622S | TP9C100C20MP13C | 21.0 | CF/CM/CU42C | 1100 | 35.6 | 27.2 | 15.00 | 12.50 |
| TC4B3622S | TP9C100C20MP13C | 21.0 | CF/CM/CU48C | 1100 | 35.8 | 27.2 | 15.00 | 12.75 |
| TC4B3622S | TP9C100C20MP13C | 21.0 | CF/CM/CU48D | 1100 | 35.8 | 27.4 | 15.25 | 12.75 |
| TC4B3622S | TP9C100C20MP13C | 21.0 | CF/CM36D | 1100 | 35.4 | 27.2 | 15.00 | 12.50 |
| TC4B3622S | TP9C100C20MP13C | 21.0 | CF/CM42D | 1100 | 35.6 | 27.2 | 15.25 | 12.75 |
| TC4B3622S | TP9C120D20MP12C | 24.5 | CF/CM/CU48D | 1050 | 35.6 | 26.8 | 15.50 | 13.00 |
| TC4B3622S | TP9C120D20MP12C | 24.5 | CF/CM36D | 1050 | 35.2 | 26.6 | 15.25 | 12.75 |
| TC4B3622S | TP9C120D20MP12C | 24.5 | CF/CM42D | 1050 | 35.6 | 26.4 | 15.50 | 13.00 |
| TC4B3622S | TP9C120D20MP13C | 24.5 | CF/CM/CU48D | 1050 | 35.6 | 26.8 | 15.50 | 13.00 |
| TC4B3622S | TP9C120D20MP13C | 24.5 | CF/CM36D | 1050 | 35.2 | 26.6 | 15.25 | 12.75 |
| TC4B3622S | TP9C120D20MP13C | 24.5 | CF/CM42D | 1050 | 35.6 | 26.4 | 15.50 | 13.00 |
| TC4B3622S | TPLC060A12MP12C | 14.5 | CF/CM/CU36B | 975 | 34.6 | 25.4 | 14.75 | 12.25 |
| TC4B3622S | TPLC060A12MP12C | 14.5 | CF/CM36A | 975 | 34.4 | 25.2 | 14.50 | 12.00 |
| TC4B3622S | TPLC060A12MP12C | 14.5 | CF42B | 975 | 34.6 | 25.2 | 14.75 | 12.25 |
| TC4B3622S | TPLC060A12MP13C | 14.5 | CF/CM/CU36B | 975 | 34.6 | 25.4 | 14.75 | 12.25 |
| TC4B3622S | TPLC060A12MP13C | 14.5 | CF/CM36A | 975 | 34.4 | 25.2 | 14.50 | 12.00 |
| TC4B3622S | TPLC060A12MP13C | 14.5 | CF42B | 975 | 34.6 | 25.2 | 14.75 | 12.25 |
| TC4B3622S | TPLC080B12MP12C | 17.5 | CF/CM/CU36B | 1000 | 34.6 | 25.6 | 14.25 | 12.00 |
| TC4B3622S | TPLC080B12MP12C | 17.5 | CF/CM/CU36C | 1000 | 34.6 | 25.6 | 14.50 | 12.25 |
| TC4B3622S | TPLC080B12MP12C | 17.5 | CF/CM/CU42C | 1000 | 35.0 | 25.8 | 14.50 | 12.25 |
| TC4B3622S | TPLC080B12MP12C | 17.5 | CF/CM/CU48C | 1000 | 35.0 | 25.8 | 14.50 | 12.25 |
| TC4B3622S | TPLC080B12MP12C | 17.5 | CF42B | 1000 | 34.8 | 25.6 | 14.25 | 12.00 |
| TC4B3622S | TPLC080B12MP13C | 17.5 | CF/CM/CU36B | 1000 | 34.6 | 25.6 | 14.25 | 12.00 |
| TC4B3622S | TPLC080B12MP13C | 17.5 | CF/CM/CU36C | 1000 | 34.6 | 25.6 | 14.50 | 12.25 |
| TC4B3622S | TPLC080B12MP13C | 17.5 | CF/CM/CU42C | 1000 | 35.0 | 25.8 | 14.50 | 12.25 |
| TC4B3622S | TPLC080B12MP13C | 17.5 | CF/CM/CU48C | 1000 | 35.0 | 25.8 | 14.50 | 12.25 |
| TC4B3622S | TPLC080B12MP13C | 17.5 | CF42B | 1000 | 34.8 | 25.6 | 14.25 | 12.00 |
| TC4B3622S | TPLC080C16MP12C | 21.0 | CF/CM/CU36C | 1050 | 35.2 | 26.6 | 15.00 | 12.50 |
| TC4B3622S | TPLC080C16MP12C | 21.0 | CF/CM/CU42C | 1050 | 35.4 | 26.4 | 15.25 | 12.75 |
| TC4B3622S | TPLC080C16MP12C | 21.0 | CF/CM/CU48C | 1050 | 35.4 | 26.6 | 15.25 | 12.75 |
| TC4B3622S | TPLC080C16MP12C | 21.0 | CF/CM/CU48D | 1050 | 35.4 | 26.6 | 15.25 | 12.75 |
| TC4B3622S | TPLC080C16MP12C | 21.0 | CF/CM36D | 1050 | 35.2 | 26.6 | 15.25 | 12.75 |
| TC4B3622S | TPLC080C16MP12C | 21.0 | CF/CM42D | 1050 | 35.6 | 26.6 | 15.25 | 12.75 |
| TC4B3622S | TPLC080C16MP13C | 21.0 | CF/CM/CU36C | 1050 | 35.2 | 26.6 | 15.00 | 12.50 |
| TC4B3622S | TPLC080C16MP13C | 21.0 | CF/CM/CU42C | 1050 | 35.4 | 26.4 | 15.25 | 12.75 |
| TC4B3622S | TPLC080C16MP13C | 21.0 | CF/CM/CU48C | 1050 | 35.4 | 26.6 | 15.25 | 12.75 |
| TC4B3622S | TPLC080C16MP13C | 21.0 | CF/CM/CU48D | 1050 | 35.4 | 26.6 | 15.25 | 12.75 |
| TC4B3622S | TPLC080C16MP13C | 21.0 | CF/CM36D | 1050 | 35.2 | 26.6 | 15.25 | 12.75 |
| TC4B3622S | TPLC080C16MP13C | 21.0 | CF/CM42D | 1050 | 35.6 | 26.6 | 15.25 | 12.75 |
| TC4B3622S | TPLC100C16MP12C | 21.0 | CF/CM/CU36C | 1050 | 35.2 | 26.6 | 15.00 | 12.50 |
| TC4B3622S | TPLC100C16MP12C | 21.0 | CF/CM/CU42C | 1050 | 35.4 | 26.4 | 15.25 | 12.75 |
| TC4B3622S | TPLC100C16MP12C | 21.0 | CF/CM/CU48C | 1050 | 35.4 | 26.6 | 15.25 | 12.75 |
| TC4B3622S | TPLC100C16MP12C | 21.0 | CF/CM/CU48D | 1050 | 35.4 | 26.6 | 15.25 | 12.75 |
| TC4B3622S | TPLC100C16MP12C | 21.0 | CF/CM36D | 1050 | 35.2 | 26.6 | 15.25 | 12.75 |
| TC4B3622S | TPLC100C16MP12C | 21.0 | CF/CM42D | 1050 | 35.6 | 26.6 | 15.25 | 12.75 |

COOLING CAPACITY - With High Efficiency Motor Furnaces¹ (Continued)

| UNIT MODEL | FURNACE | | COIL MODEL ² | COOLING | | | | |
|---------------|-----------------|-------|----------------------------|--------------|---------|-------|-------|-------|
| | MODEL | WIDTH | | RATED CFM | NET MBH | | SEER | EER |
| | | | | | TOTAL | SENS. | | |
| TC4B3622S | TPLC100C16MP13C | 21.0 | CF/CM/CU36C | 1050 | 35.2 | 26.6 | 15.00 | 12.50 |
| TC4B3622S | TPLC100C16MP13C | 21.0 | CF/CM/CU42C | 1050 | 35.4 | 26.4 | 15.25 | 12.75 |
| TC4B3622S | TPLC100C16MP13C | 21.0 | CF/CM/CU48C | 1050 | 35.4 | 26.6 | 15.25 | 12.75 |
| TC4B3622S | TPLC100C16MP13C | 21.0 | CF/CM/CU48D | 1050 | 35.4 | 26.6 | 15.25 | 12.75 |
| TC4B3622S | TPLC100C16MP13C | 21.0 | CF/CM36D | 1050 | 35.2 | 26.6 | 15.25 | 12.75 |
| TC4B3622S | TPLC100C16MP13C | 21.0 | CF/CM42D | 1050 | 35.6 | 26.6 | 15.25 | 12.75 |
| TC4B3622S | TPLC100C20MP12C | 21.0 | CF/CM/CU36C | 1150 | 35.8 | 28.0 | 15.25 | 12.75 |
| TC4B3622S | TPLC100C20MP12C | 21.0 | CF/CM/CU42C | 1150 | 36.0 | 28.0 | 15.25 | 12.75 |
| TC4B3622S | TPLC100C20MP12C | 21.0 | CF/CM/CU48C | 1150 | 36.0 | 28.2 | 15.25 | 12.75 |
| TC4B3622S | TPLC100C20MP12C | 21.0 | CF/CM/CU48D | 1150 | 36.0 | 28.2 | 15.50 | 13.00 |
| TC4B3622S | TPLC100C20MP12C | 21.0 | CF/CM36D | 1150 | 35.8 | 28.0 | 15.25 | 12.75 |
| TC4B3622S | TPLC100C20MP12C | 21.0 | CF/CM42D | 1150 | 36.0 | 28.0 | 15.50 | 13.00 |
| TC4B3622S | TPLC100C20MP13C | 21.0 | CF/CM/CU36C | 1150 | 35.8 | 28.0 | 15.25 | 12.75 |
| TC4B3622S | TPLC100C20MP13C | 21.0 | CF/CM/CU42C | 1150 | 36.0 | 28.0 | 15.25 | 12.75 |
| TC4B3622S | TPLC100C20MP13C | 21.0 | CF/CM/CU48C | 1150 | 36.0 | 28.2 | 15.25 | 12.75 |
| TC4B3622S | TPLC100C20MP13C | 21.0 | CF/CM/CU48D | 1150 | 36.0 | 28.2 | 15.50 | 13.00 |
| TC4B3622S | TPLC100C20MP13C | 21.0 | CF/CM36D | 1150 | 35.8 | 28.0 | 15.25 | 12.75 |
| TC4B3622S | TPLC100C20MP13C | 21.0 | CF/CM42D | 1150 | 36.0 | 28.0 | 15.50 | 13.00 |
| TC4B3622S | TPLC120C20MP12C | 21.0 | CF/CM/CU36C | 1150 | 35.8 | 28.0 | 15.25 | 12.75 |
| TC4B3622S | TPLC120C20MP12C | 21.0 | CF/CM/CU42C | 1150 | 36.0 | 28.0 | 15.25 | 12.75 |
| TC4B3622S | TPLC120C20MP12C | 21.0 | CF/CM/CU48C | 1150 | 36.0 | 28.2 | 15.25 | 12.75 |
| TC4B3622S | TPLC120C20MP12C | 21.0 | CF/CM/CU48D | 1150 | 36.0 | 28.2 | 15.50 | 13.00 |
| TC4B3622S | TPLC120C20MP12C | 21.0 | CF/CM36D | 1150 | 35.8 | 28.0 | 15.25 | 12.75 |
| TC4B3622S | TPLC120C20MP12C | 21.0 | CF/CM42D | 1150 | 36.0 | 28.0 | 15.50 | 13.00 |
| TC4B3622S | TPLC120C20MP13C | 21.0 | CF/CM/CU36C | 1150 | 35.8 | 28.0 | 15.25 | 12.75 |
| TC4B3622S | TPLC120C20MP13C | 21.0 | CF/CM/CU42C | 1150 | 36.0 | 28.0 | 15.25 | 12.75 |
| TC4B3622S | TPLC120C20MP13C | 21.0 | CF/CM/CU48C | 1150 | 36.0 | 28.2 | 15.25 | 12.75 |
| TC4B3622S | TPLC120C20MP13C | 21.0 | CF/CM/CU48D | 1150 | 36.0 | 28.2 | 15.50 | 13.00 |
| TC4B3622S | TPLC120C20MP13C | 21.0 | CF/CM36D | 1150 | 35.8 | 28.0 | 15.25 | 12.75 |
| TC4B3622S | TPLC120C20MP13C | 21.0 | CF/CM42D | 1150 | 36.0 | 28.0 | 15.50 | 13.00 |
| TC4B3622S | YP9C060B12MP13C | 17.5 | CF/CM/CU36B | 1000 | 34.6 | 25.6 | 14.25 | 12.00 |
| TC4B3622S | YP9C060B12MP13C | 17.5 | CF/CM/CU36C | 1000 | 34.6 | 25.6 | 14.50 | 12.25 |
| TC4B3622S | YP9C060B12MP13C | 17.5 | CF/CM/CU42C | 1000 | 35.0 | 25.8 | 14.50 | 12.25 |
| TC4B3622S | YP9C060B12MP13C | 17.5 | CF/CM/CU48C | 1000 | 35.0 | 25.8 | 14.50 | 12.25 |
| TC4B3622S | YP9C060B12MP13C | 17.5 | CF42B | 1000 | 34.8 | 25.6 | 14.25 | 12.25 |
| TC4B3622S | YP9C080B12MP12C | 17.5 | CF/CM/CU36B | 975 | 34.6 | 25.4 | 14.75 | 12.25 |
| TC4B3622S | YP9C080B12MP12C | 17.5 | CF/CM/CU36C | 1050 | 35.0 | 26.2 | 14.75 | 12.25 |
| TC4B3622S | YP9C080B12MP12C | 17.5 | CF/CM/CU42C | 1050 | 35.4 | 26.4 | 14.75 | 12.50 |
| TC4B3622S | YP9C080B12MP12C | 17.5 | CF/CM/CU48C | 1050 | 35.4 | 26.6 | 15.00 | 12.50 |
| TC4B3622S | YP9C080B12MP12C | 17.5 | CF42B | 975 | 34.6 | 25.2 | 14.75 | 12.25 |
| TC4B3622S | YP9C080B12MP13C | 17.5 | CF/CM/CU36B | 975 | 34.6 | 25.4 | 14.75 | 12.25 |
| TC4B3622S | YP9C080B12MP13C | 17.5 | CF/CM/CU36C | 1050 | 35.0 | 26.2 | 14.75 | 12.25 |
| TC4B3622S | YP9C080B12MP13C | 17.5 | CF/CM/CU42C | 1050 | 35.4 | 26.4 | 14.75 | 12.50 |
| TC4B3622S | YP9C080B12MP13C | 17.5 | CF/CM/CU48C | 1050 | 35.4 | 26.6 | 15.00 | 12.50 |
| TC4B3622S | YP9C080B12MP13C | 17.5 | CF42B | 975 | 34.6 | 25.2 | 14.75 | 12.25 |
| TC4B3622S | YP9C080C16MP13C | 21.0 | CF/CM/CU36C | 1025 | 35.0 | 26.0 | 15.00 | 12.50 |
| TC4B3622S | YP9C080C16MP13C | 21.0 | CF/CM/CU42C | 1025 | 35.2 | 26.2 | 15.00 | 12.50 |
| TC4B3622S | YP9C080C16MP13C | 21.0 | CF/CM/CU48C | 1025 | 35.4 | 26.2 | 15.00 | 12.50 |
| TC4B3622S | YP9C080C16MP13C | 21.0 | CF/CM/CU48D | 1025 | 35.4 | 26.2 | 15.00 | 12.50 |
| TC4B3622S | YP9C080C16MP13C | 21.0 | CF/CM36D | 1025 | 35.0 | 26.0 | 15.00 | 12.50 |
| TC4B3622S | YP9C080C16MP13C | 21.0 | CF/CM42D | 1025 | 35.2 | 26.2 | 15.00 | 12.50 |
| TC4B3622S | YP9C100C16MP12C | 21.0 | CF/CM/CU36C | 1000 | 35.0 | 25.8 | 15.25 | 12.75 |
| TC4B3622S | YP9C100C16MP12C | 21.0 | CF/CM/CU42C | 1000 | 35.2 | 26.0 | 15.25 | 12.75 |

COOLING CAPACITY - With High Efficiency Motor Furnaces¹ (Continued)

| UNIT MODEL | FURNACE | | COIL MODEL ² | COOLING | | | | |
|---------------|-----------------|-------|----------------------------|--------------|---------|-------|-------|-------|
| | MODEL | WIDTH | | RATED CFM | NET MBH | | SEER | EER |
| | | | | | TOTAL | SENS. | | |
| TC4B3622S | YP9C100C16MP12C | 21.0 | CF/CM/CU48C | 1075 | 35.8 | 27.0 | 15.25 | 12.75 |
| TC4B3622S | YP9C100C16MP12C | 21.0 | CF/CM/CU48D | 975 | 35.2 | 25.6 | 15.25 | 12.75 |
| TC4B3622S | YP9C100C16MP12C | 21.0 | CF/CM36D | 1075 | 35.4 | 27.0 | 15.25 | 12.75 |
| TC4B3622S | YP9C100C16MP12C | 21.0 | CF/CM42D | 1075 | 35.6 | 27.0 | 15.25 | 12.75 |
| TC4B3622S | YP9C100C16MP13C | 21.0 | CF/CM/CU36C | 1000 | 35.0 | 25.8 | 15.25 | 12.75 |
| TC4B3622S | YP9C100C16MP13C | 21.0 | CF/CM/CU42C | 1000 | 35.2 | 26.0 | 15.25 | 12.75 |
| TC4B3622S | YP9C100C16MP13C | 21.0 | CF/CM/CU48C | 1075 | 35.8 | 27.0 | 15.25 | 12.75 |
| TC4B3622S | YP9C100C16MP13C | 21.0 | CF/CM/CU48D | 975 | 35.2 | 25.6 | 15.25 | 12.75 |
| TC4B3622S | YP9C100C16MP13C | 21.0 | CF/CM36D | 1075 | 35.4 | 27.0 | 15.25 | 12.75 |
| TC4B3622S | YP9C100C16MP13C | 21.0 | CF/CM42D | 1075 | 35.6 | 27.0 | 15.25 | 12.75 |
| TC4B3622S | YP9C100C20MP12C | 21.0 | CF/CM/CU36C | 1100 | 35.2 | 27.2 | 15.00 | 12.50 |
| TC4B3622S | YP9C100C20MP12C | 21.0 | CF/CM/CU42C | 1100 | 35.6 | 27.2 | 15.00 | 12.50 |
| TC4B3622S | YP9C100C20MP12C | 21.0 | CF/CM/CU48C | 1100 | 35.8 | 27.2 | 15.00 | 12.75 |
| TC4B3622S | YP9C100C20MP12C | 21.0 | CF/CM/CU48D | 1100 | 35.8 | 27.4 | 15.25 | 12.75 |
| TC4B3622S | YP9C100C20MP12C | 21.0 | CF/CM36D | 1100 | 35.4 | 27.2 | 15.00 | 12.50 |
| TC4B3622S | YP9C100C20MP12C | 21.0 | CF/CM42D | 1100 | 35.6 | 27.2 | 15.25 | 12.75 |
| TC4B3622S | YP9C100C20MP13C | 21.0 | CF/CM/CU36C | 1100 | 35.2 | 27.2 | 15.00 | 12.50 |
| TC4B3622S | YP9C100C20MP13C | 21.0 | CF/CM/CU42C | 1100 | 35.6 | 27.2 | 15.00 | 12.50 |
| TC4B3622S | YP9C100C20MP13C | 21.0 | CF/CM/CU48C | 1100 | 35.8 | 27.2 | 15.00 | 12.75 |
| TC4B3622S | YP9C100C20MP13C | 21.0 | CF/CM/CU48D | 1100 | 35.8 | 27.4 | 15.25 | 12.75 |
| TC4B3622S | YP9C100C20MP13C | 21.0 | CF/CM36D | 1100 | 35.4 | 27.2 | 15.00 | 12.50 |
| TC4B3622S | YP9C100C20MP13C | 21.0 | CF/CM42D | 1100 | 35.6 | 27.2 | 15.25 | 12.75 |
| TC4B3622S | YP9C120D20MP12C | 24.5 | CF/CM/CU48D | 1050 | 35.6 | 26.8 | 15.50 | 13.00 |
| TC4B3622S | YP9C120D20MP12C | 24.5 | CF/CM36D | 1050 | 35.2 | 26.6 | 15.25 | 12.75 |
| TC4B3622S | YP9C120D20MP12C | 24.5 | CF/CM42D | 1050 | 35.6 | 26.4 | 15.50 | 13.00 |
| TC4B3622S | YP9C120D20MP13C | 24.5 | CF/CM/CU48D | 1050 | 35.6 | 26.8 | 15.50 | 13.00 |
| TC4B3622S | YP9C120D20MP13C | 24.5 | CF/CM36D | 1050 | 35.2 | 26.6 | 15.25 | 12.75 |
| TC4B3622S | YP9C120D20MP13C | 24.5 | CF/CM42D | 1050 | 35.6 | 26.4 | 15.50 | 13.00 |
| TC4B3622S | YPLC060A12MP12C | 14.5 | CF/CM/CU36B | 975 | 34.6 | 25.4 | 14.75 | 12.25 |
| TC4B3622S | YPLC060A12MP12C | 14.5 | CF/CM36A | 975 | 34.4 | 25.2 | 14.50 | 12.00 |
| TC4B3622S | YPLC060A12MP12C | 14.5 | CF42B | 975 | 34.6 | 25.2 | 14.75 | 12.25 |
| TC4B3622S | YPLC060A12MP13C | 14.5 | CF/CM/CU36B | 975 | 34.6 | 25.4 | 14.75 | 12.25 |
| TC4B3622S | YPLC060A12MP13C | 14.5 | CF/CM36A | 975 | 34.4 | 25.2 | 14.50 | 12.00 |
| TC4B3622S | YPLC060A12MP13C | 14.5 | CF42B | 975 | 34.6 | 25.2 | 14.75 | 12.25 |
| TC4B3622S | YPLC080B12MP12C | 17.5 | CF/CM/CU36B | 1000 | 34.6 | 25.6 | 14.25 | 12.00 |
| TC4B3622S | YPLC080B12MP12C | 17.5 | CF/CM/CU36C | 1000 | 34.6 | 25.6 | 14.50 | 12.25 |
| TC4B3622S | YPLC080B12MP12C | 17.5 | CF/CM/CU42C | 1000 | 35.0 | 25.8 | 14.50 | 12.25 |
| TC4B3622S | YPLC080B12MP12C | 17.5 | CF/CM/CU48C | 1000 | 35.0 | 25.8 | 14.50 | 12.25 |
| TC4B3622S | YPLC080B12MP12C | 17.5 | CF42B | 1000 | 34.8 | 25.6 | 14.25 | 12.00 |
| TC4B3622S | YPLC080B12MP13C | 17.5 | CF/CM/CU36B | 1000 | 34.6 | 25.6 | 14.25 | 12.00 |
| TC4B3622S | YPLC080B12MP13C | 17.5 | CF/CM/CU36C | 1000 | 34.6 | 25.6 | 14.50 | 12.25 |
| TC4B3622S | YPLC080B12MP13C | 17.5 | CF/CM/CU42C | 1000 | 35.0 | 25.8 | 14.50 | 12.25 |
| TC4B3622S | YPLC080B12MP13C | 17.5 | CF/CM/CU48C | 1000 | 35.0 | 25.8 | 14.50 | 12.25 |
| TC4B3622S | YPLC080B12MP13C | 17.5 | CF42B | 1000 | 34.8 | 25.6 | 14.25 | 12.00 |
| TC4B3622S | YPLC080C16MP12C | 21.0 | CF/CM/CU36C | 1050 | 35.2 | 26.6 | 15.00 | 12.50 |
| TC4B3622S | YPLC080C16MP12C | 21.0 | CF/CM/CU42C | 1050 | 35.4 | 26.4 | 15.25 | 12.75 |
| TC4B3622S | YPLC080C16MP12C | 21.0 | CF/CM/CU48C | 1050 | 35.4 | 26.6 | 15.25 | 12.75 |
| TC4B3622S | YPLC080C16MP12C | 21.0 | CF/CM/CU48D | 1050 | 35.4 | 26.6 | 15.25 | 12.75 |
| TC4B3622S | YPLC080C16MP12C | 21.0 | CF/CM36D | 1050 | 35.2 | 26.6 | 15.25 | 12.75 |
| TC4B3622S | YPLC080C16MP12C | 21.0 | CF/CM42D | 1050 | 35.6 | 26.6 | 15.25 | 12.75 |
| TC4B3622S | YPLC080C16MP13C | 21.0 | CF/CM/CU36C | 1050 | 35.2 | 26.6 | 15.00 | 12.50 |
| TC4B3622S | YPLC080C16MP13C | 21.0 | CF/CM/CU42C | 1050 | 35.4 | 26.4 | 15.25 | 12.75 |
| TC4B3622S | YPLC080C16MP13C | 21.0 | CF/CM/CU48C | 1050 | 35.4 | 26.6 | 15.25 | 12.75 |

COOLING CAPACITY - With High Efficiency Motor Furnaces¹ (Continued)

| UNIT MODEL | FURNACE | | COIL MODEL ² | COOLING | | | | |
|---------------|-----------------|-------|----------------------------|--------------|---------|-------|-------|-------|
| | MODEL | WIDTH | | RATED CFM | NET MBH | | SEER | EER |
| | | | | | TOTAL | SENS. | | |
| TC4B3622S | YPLC080C16MP13C | 21.0 | CF/CM/CU48D | 1050 | 35.4 | 26.6 | 15.25 | 12.75 |
| TC4B3622S | YPLC080C16MP13C | 21.0 | CF/CM36D | 1050 | 35.2 | 26.6 | 15.25 | 12.75 |
| TC4B3622S | YPLC080C16MP13C | 21.0 | CF/CM42D | 1050 | 35.6 | 26.6 | 15.25 | 12.75 |
| TC4B3622S | YPLC100C16MP12C | 21.0 | CF/CM/CU36C | 1050 | 35.2 | 26.6 | 15.00 | 12.50 |
| TC4B3622S | YPLC100C16MP12C | 21.0 | CF/CM/CU42C | 1050 | 35.4 | 26.4 | 15.25 | 12.75 |
| TC4B3622S | YPLC100C16MP12C | 21.0 | CF/CM/CU48C | 1050 | 35.4 | 26.6 | 15.25 | 12.75 |
| TC4B3622S | YPLC100C16MP12C | 21.0 | CF/CM/CU48D | 1050 | 35.4 | 26.6 | 15.25 | 12.75 |
| TC4B3622S | YPLC100C16MP12C | 21.0 | CF/CM36D | 1050 | 35.2 | 26.6 | 15.25 | 12.75 |
| TC4B3622S | YPLC100C16MP12C | 21.0 | CF/CM42D | 1050 | 35.6 | 26.6 | 15.25 | 12.75 |
| TC4B3622S | YPLC100C16MP13C | 21.0 | CF/CM/CU36C | 1050 | 35.2 | 26.6 | 15.00 | 12.50 |
| TC4B3622S | YPLC100C16MP13C | 21.0 | CF/CM/CU42C | 1050 | 35.4 | 26.4 | 15.25 | 12.75 |
| TC4B3622S | YPLC100C16MP13C | 21.0 | CF/CM/CU48C | 1050 | 35.4 | 26.6 | 15.25 | 12.75 |
| TC4B3622S | YPLC100C16MP13C | 21.0 | CF/CM/CU48D | 1050 | 35.4 | 26.6 | 15.25 | 12.75 |
| TC4B3622S | YPLC100C16MP13C | 21.0 | CF/CM36D | 1050 | 35.2 | 26.6 | 15.25 | 12.75 |
| TC4B3622S | YPLC100C16MP13C | 21.0 | CF/CM42D | 1050 | 35.6 | 26.6 | 15.25 | 12.75 |
| TC4B3622S | YPLC100C20MP12C | 21.0 | CF/CM/CU36C | 1150 | 35.8 | 28.0 | 15.25 | 12.75 |
| TC4B3622S | YPLC100C20MP12C | 21.0 | CF/CM/CU42C | 1150 | 36.0 | 28.0 | 15.25 | 12.75 |
| TC4B3622S | YPLC100C20MP12C | 21.0 | CF/CM/CU48C | 1150 | 36.0 | 28.2 | 15.25 | 12.75 |
| TC4B3622S | YPLC100C20MP12C | 21.0 | CF/CM/CU48D | 1150 | 36.0 | 28.2 | 15.50 | 13.00 |
| TC4B3622S | YPLC100C20MP12C | 21.0 | CF/CM36D | 1150 | 35.8 | 28.0 | 15.25 | 12.75 |
| TC4B3622S | YPLC100C20MP12C | 21.0 | CF/CM42D | 1150 | 36.0 | 28.0 | 15.50 | 13.00 |
| TC4B3622S | YPLC100C20MP13C | 21.0 | CF/CM/CU36C | 1150 | 35.8 | 28.0 | 15.25 | 12.75 |
| TC4B3622S | YPLC100C20MP13C | 21.0 | CF/CM/CU42C | 1150 | 36.0 | 28.0 | 15.25 | 12.75 |
| TC4B3622S | YPLC100C20MP13C | 21.0 | CF/CM/CU48C | 1150 | 36.0 | 28.2 | 15.25 | 12.75 |
| TC4B3622S | YPLC100C20MP13C | 21.0 | CF/CM/CU48D | 1150 | 36.0 | 28.2 | 15.50 | 13.00 |
| TC4B3622S | YPLC100C20MP13C | 21.0 | CF/CM36D | 1150 | 35.8 | 28.0 | 15.25 | 12.75 |
| TC4B3622S | YPLC100C20MP13C | 21.0 | CF/CM42D | 1150 | 36.0 | 28.0 | 15.50 | 13.00 |
| TC4B3622S | YPLC120C20MP12C | 21.0 | CF/CM/CU36C | 1150 | 35.8 | 28.0 | 15.25 | 12.75 |
| TC4B3622S | YPLC120C20MP12C | 21.0 | CF/CM/CU42C | 1150 | 36.0 | 28.0 | 15.25 | 12.75 |
| TC4B3622S | YPLC120C20MP12C | 21.0 | CF/CM/CU48C | 1150 | 36.0 | 28.2 | 15.25 | 12.75 |
| TC4B3622S | YPLC120C20MP12C | 21.0 | CF/CM/CU48D | 1150 | 36.0 | 28.2 | 15.50 | 13.00 |
| TC4B3622S | YPLC120C20MP12C | 21.0 | CF/CM36D | 1150 | 35.8 | 28.0 | 15.25 | 12.75 |
| TC4B3622S | YPLC120C20MP12C | 21.0 | CF/CM42D | 1150 | 36.0 | 28.0 | 15.50 | 13.00 |
| TC4B3622S | YPLC120C20MP13C | 21.0 | CF/CM/CU36C | 1150 | 35.8 | 28.0 | 15.25 | 12.75 |
| TC4B3622S | YPLC120C20MP13C | 21.0 | CF/CM/CU42C | 1150 | 36.0 | 28.0 | 15.25 | 12.75 |
| TC4B3622S | YPLC120C20MP13C | 21.0 | CF/CM/CU48C | 1150 | 36.0 | 28.2 | 15.25 | 12.75 |
| TC4B3622S | YPLC120C20MP13C | 21.0 | CF/CM/CU48D | 1150 | 36.0 | 28.2 | 15.50 | 13.00 |
| TC4B3622S | YPLC120C20MP13C | 21.0 | CF/CM36D | 1150 | 35.8 | 28.0 | 15.25 | 12.75 |
| TC4B3622S | YPLC120C20MP13C | 21.0 | CF/CM42D | 1150 | 36.0 | 28.0 | 15.50 | 13.00 |
| TC4B4222S | TL8E080C16UH11 | 21.0 | CF/CM/CU42C | 1275 | 41.5 | 31.4 | 14.75 | 12.50 |
| TC4B4222S | TL8E080C16UH11 | 21.0 | CF/CM/CU48C | 1275 | 42.0 | 31.8 | 14.75 | 12.50 |
| TC4B4222S | TL8E080C16UH11 | 21.0 | CF/CM/CU48D | 1300 | 42.0 | 32.4 | 14.75 | 12.50 |
| TC4B4222S | TL8E080C16UH11 | 21.0 | CF/CM/CU60C | 1275 | 42.0 | 30.8 | 14.75 | 12.50 |
| TC4B4222S | TL8E080C16UH11 | 21.0 | CF/CM/CU60D | 1300 | 42.0 | 31.6 | 14.75 | 12.50 |
| TC4B4222S | TL8E080C16UH11 | 21.0 | CF/CM42D | 1300 | 41.5 | 31.2 | 14.75 | 12.50 |
| TC4B4222S | TL8E100C20UH11 | 21.0 | CF/CM/CU42C | 1250 | 41.5 | 31.2 | 15.00 | 12.50 |
| TC4B4222S | TL8E100C20UH11 | 21.0 | CF/CM/CU48C | 1250 | 42.0 | 31.6 | 15.25 | 12.50 |
| TC4B4222S | TL8E100C20UH11 | 21.0 | CF/CM/CU48D | 1275 | 42.0 | 32.0 | 15.00 | 12.50 |
| TC4B4222S | TL8E100C20UH11 | 21.0 | CF/CM/CU60C | 1250 | 41.5 | 31.0 | 15.00 | 12.50 |
| TC4B4222S | TL8E100C20UH11 | 21.0 | CF/CM/CU60D | 1275 | 42.0 | 31.0 | 15.00 | 12.50 |
| TC4B4222S | TL8E100C20UH11 | 21.0 | CF/CM42D | 1275 | 42.0 | 31.8 | 15.00 | 12.50 |
| TC4B4222S | TL9E080C16UH11 | 21.0 | CF/CM/CU42C | 1250 | 41.5 | 31.2 | 14.50 | 12.25 |
| TC4B4222S | TL9E080C16UH11 | 21.0 | CF/CM/CU48C | 1250 | 41.5 | 31.2 | 14.50 | 12.50 |

COOLING CAPACITY - With High Efficiency Motor Furnaces¹ (Continued)

| UNIT MODEL | FURNACE | | COIL MODEL ² | COOLING | | | | |
|---------------|----------------|-------|----------------------------|--------------|---------|-------|-------|-------|
| | MODEL | WIDTH | | RATED CFM | NET MBH | | SEER | EER |
| | | | | | TOTAL | SENS. | | |
| TC4B4222S | TL9E080C16UH11 | 21.0 | CF/CM/CU48D | 1275 | 42.0 | 31.8 | 14.50 | 12.25 |
| TC4B4222S | TL9E080C16UH11 | 21.0 | CF/CM/CU60C | 1250 | 41.5 | 31.0 | 14.50 | 12.25 |
| TC4B4222S | TL9E080C16UH11 | 21.0 | CF/CM/CU60D | 1275 | 41.5 | 30.6 | 14.50 | 12.25 |
| TC4B4222S | TL9E080C16UH11 | 21.0 | CF/CM42D | 1275 | 41.5 | 31.4 | 14.50 | 12.25 |
| TC4B4222S | TL9E100C20UH11 | 21.0 | CF/CM/CU42C | 1225 | 41.5 | 31.0 | 15.00 | 12.50 |
| TC4B4222S | TL9E100C20UH11 | 21.0 | CF/CM/CU48C | 1225 | 41.5 | 31.2 | 15.25 | 12.50 |
| TC4B4222S | TL9E100C20UH11 | 21.0 | CF/CM/CU48D | 1250 | 42.0 | 31.6 | 15.00 | 12.50 |
| TC4B4222S | TL9E100C20UH11 | 21.0 | CF/CM/CU60C | 1225 | 41.5 | 30.6 | 15.00 | 12.50 |
| TC4B4222S | TL9E100C20UH11 | 21.0 | CF/CM/CU60D | 1250 | 41.5 | 31.0 | 15.00 | 12.50 |
| TC4B4222S | TL9E100C20UH11 | 21.0 | CF/CM42D | 1250 | 41.5 | 31.2 | 15.00 | 12.50 |
| TC4B4222S | TM8E080B12MP11 | 17.5 | CF/CM/CU42C | 1250 | 41.0 | 31.0 | 14.00 | 12.00 |
| TC4B4222S | TM8E080B12MP11 | 17.5 | CF/CM/CU48C | 1250 | 41.5 | 31.2 | 14.25 | 12.00 |
| TC4B4222S | TM8E080B12MP11 | 17.5 | CF/CM/CU60C | 1250 | 41.5 | 30.8 | 14.25 | 12.00 |
| TC4B4222S | TM8E080C16MP11 | 21.0 | CF/CM/CU42C | 1275 | 41.5 | 31.4 | 14.75 | 12.50 |
| TC4B4222S | TM8E080C16MP11 | 21.0 | CF/CM/CU48C | 1275 | 42.0 | 31.8 | 14.75 | 12.50 |
| TC4B4222S | TM8E080C16MP11 | 21.0 | CF/CM/CU48D | 1300 | 42.0 | 32.2 | 14.75 | 12.50 |
| TC4B4222S | TM8E080C16MP11 | 21.0 | CF/CM/CU60C | 1275 | 42.0 | 30.8 | 14.75 | 12.50 |
| TC4B4222S | TM8E080C16MP11 | 21.0 | CF/CM/CU60D | 1300 | 42.0 | 31.6 | 14.75 | 12.50 |
| TC4B4222S | TM8E080C16MP11 | 21.0 | CF/CM42D | 1300 | 41.5 | 31.2 | 14.75 | 12.50 |
| TC4B4222S | TM8E080C20MP11 | 21.0 | CF/CM/CU42C | 1250 | 41.5 | 31.2 | 15.00 | 12.50 |
| TC4B4222S | TM8E080C20MP11 | 21.0 | CF/CM/CU48C | 1250 | 42.0 | 31.6 | 15.25 | 12.50 |
| TC4B4222S | TM8E080C20MP11 | 21.0 | CF/CM/CU48D | 1275 | 42.0 | 32.0 | 15.00 | 12.50 |
| TC4B4222S | TM8E080C20MP11 | 21.0 | CF/CM/CU60C | 1250 | 41.5 | 31.0 | 15.00 | 12.50 |
| TC4B4222S | TM8E080C20MP11 | 21.0 | CF/CM/CU60D | 1275 | 42.0 | 31.0 | 15.00 | 12.50 |
| TC4B4222S | TM8E080C20MP11 | 21.0 | CF/CM42D | 1275 | 42.0 | 31.8 | 15.00 | 12.50 |
| TC4B4222S | TM8E100B12MP11 | 17.5 | CF/CM/CU42C | 1250 | 41.5 | 31.2 | 14.25 | 12.00 |
| TC4B4222S | TM8E100B12MP11 | 17.5 | CF/CM/CU48C | 1250 | 41.5 | 31.2 | 14.25 | 12.25 |
| TC4B4222S | TM8E100B12MP11 | 17.5 | CF/CM/CU60C | 1250 | 41.5 | 31.0 | 14.25 | 12.00 |
| TC4B4222S | TM8E100C16MP11 | 21.0 | CF/CM/CU42C | 1300 | 41.5 | 31.4 | 14.75 | 12.50 |
| TC4B4222S | TM8E100C16MP11 | 21.0 | CF/CM/CU48C | 1300 | 42.0 | 32.2 | 14.75 | 12.50 |
| TC4B4222S | TM8E100C16MP11 | 21.0 | CF/CM/CU48D | 1325 | 42.0 | 32.2 | 14.75 | 12.50 |
| TC4B4222S | TM8E100C16MP11 | 21.0 | CF/CM/CU60C | 1300 | 42.0 | 31.4 | 14.75 | 12.50 |
| TC4B4222S | TM8E100C16MP11 | 21.0 | CF/CM/CU60D | 1325 | 42.0 | 31.8 | 14.75 | 12.50 |
| TC4B4222S | TM8E100C16MP11 | 21.0 | CF/CM42D | 1325 | 42.0 | 32.4 | 14.75 | 12.50 |
| TC4B4222S | TM8E100C20MP11 | 21.0 | CF/CM/CU42C | 1250 | 41.5 | 31.2 | 15.00 | 12.50 |
| TC4B4222S | TM8E100C20MP11 | 21.0 | CF/CM/CU48C | 1250 | 42.0 | 31.6 | 15.25 | 12.50 |
| TC4B4222S | TM8E100C20MP11 | 21.0 | CF/CM/CU48D | 1275 | 42.0 | 32.0 | 15.00 | 12.50 |
| TC4B4222S | TM8E100C20MP11 | 21.0 | CF/CM/CU60C | 1250 | 41.5 | 31.0 | 15.00 | 12.50 |
| TC4B4222S | TM8E100C20MP11 | 21.0 | CF/CM/CU60D | 1275 | 42.0 | 31.0 | 15.00 | 12.50 |
| TC4B4222S | TM8E100C20MP11 | 21.0 | CF/CM42D | 1275 | 42.0 | 31.8 | 15.00 | 12.50 |
| TC4B4222S | TM8E120C16MP11 | 21.0 | CF/CM/CU42C | 1300 | 41.5 | 31.4 | 14.75 | 12.50 |
| TC4B4222S | TM8E120C16MP11 | 21.0 | CF/CM/CU48C | 1325 | 42.0 | 32.2 | 15.00 | 12.50 |
| TC4B4222S | TM8E120C16MP11 | 21.0 | CF/CM/CU48D | 1325 | 42.0 | 32.2 | 14.75 | 12.50 |
| TC4B4222S | TM8E120C16MP11 | 21.0 | CF/CM/CU60C | 1300 | 42.0 | 31.6 | 14.75 | 12.50 |
| TC4B4222S | TM8E120C16MP11 | 21.0 | CF/CM/CU60D | 1325 | 42.0 | 31.8 | 14.75 | 12.50 |
| TC4B4222S | TM8E120C16MP11 | 21.0 | CF/CM42D | 1325 | 42.0 | 32.2 | 14.75 | 12.50 |
| TC4B4222S | TM8E120C20MP11 | 21.0 | CF/CM/CU42C | 1275 | 41.5 | 31.4 | 15.00 | 12.50 |
| TC4B4222S | TM8E120C20MP11 | 21.0 | CF/CM/CU48C | 1300 | 42.0 | 32.2 | 15.25 | 12.50 |
| TC4B4222S | TM8E120C20MP11 | 21.0 | CF/CM/CU48D | 1300 | 42.0 | 32.2 | 15.00 | 12.50 |
| TC4B4222S | TM8E120C20MP11 | 21.0 | CF/CM/CU60C | 1275 | 42.0 | 31.0 | 15.00 | 12.50 |
| TC4B4222S | TM8E120C20MP11 | 21.0 | CF/CM/CU60D | 1325 | 42.0 | 31.8 | 15.00 | 12.50 |
| TC4B4222S | TM8E120C20MP11 | 21.0 | CF/CM42D | 1300 | 42.0 | 31.6 | 15.00 | 12.50 |
| TC4B4222S | TM8E130D20MP11 | 24.5 | CF/CM/CU48D | 1300 | 42.0 | 32.2 | 15.25 | 12.50 |

COOLING CAPACITY - With High Efficiency Motor Furnaces¹ (Continued)

| UNIT MODEL | FURNACE | | COIL MODEL ² | COOLING | | | | |
|---------------|-----------------|-------|----------------------------|--------------|---------|-------|-------|-------|
| | MODEL | WIDTH | | RATED CFM | NET MBH | | SEER | EER |
| | | | | | TOTAL | SENS. | | |
| TC4B4222S | TM8E130D20MP11 | 24.5 | CF/CM/CU60D | 1325 | 42.0 | 31.8 | 15.25 | 12.50 |
| TC4B4222S | TM8E130D20MP11 | 24.5 | CF/CM42D | 1300 | 42.0 | 31.8 | 15.25 | 12.50 |
| TC4B4222S | TM8V060A12MP11C | 14.5 | CF42B | 1275 | 40.5 | 30.6 | 14.00 | 12.00 |
| TC4B4222S | TM8V060A12MP12C | 14.5 | CF42B | 1275 | 40.5 | 30.6 | 14.00 | 12.00 |
| TC4B4222S | TM8V080C16MP11C | 21.0 | CF/CM/CU42C | 1200 | 41.0 | 30.2 | 14.75 | 12.50 |
| TC4B4222S | TM8V080C16MP11C | 21.0 | CF/CM/CU48C | 1200 | 41.5 | 31.0 | 15.00 | 12.50 |
| TC4B4222S | TM8V080C16MP11C | 21.0 | CF/CM/CU48D | 1200 | 41.5 | 31.0 | 15.00 | 12.50 |
| TC4B4222S | TM8V080C16MP11C | 21.0 | CF/CM/CU60C | 1200 | 41.5 | 30.4 | 14.75 | 12.50 |
| TC4B4222S | TM8V080C16MP11C | 21.0 | CF/CM/CU60D | 1200 | 41.5 | 30.8 | 15.00 | 12.50 |
| TC4B4222S | TM8V080C16MP11C | 21.0 | CF/CM42D | 1200 | 41.0 | 30.4 | 15.00 | 12.50 |
| TC4B4222S | TM8V080C16MP11C | 21.0 | CF/CM64D | 1200 | 42.0 | 30.8 | 15.25 | 12.75 |
| TC4B4222S | TM8V080C16MP12C | 21.0 | CF/CM/CU42C | 1200 | 41.0 | 30.2 | 14.75 | 12.50 |
| TC4B4222S | TM8V080C16MP12C | 21.0 | CF/CM/CU48C | 1200 | 41.5 | 31.0 | 15.00 | 12.50 |
| TC4B4222S | TM8V080C16MP12C | 21.0 | CF/CM/CU48D | 1200 | 41.5 | 31.0 | 15.00 | 12.50 |
| TC4B4222S | TM8V080C16MP12C | 21.0 | CF/CM/CU60C | 1200 | 41.5 | 30.4 | 14.75 | 12.50 |
| TC4B4222S | TM8V080C16MP12C | 21.0 | CF/CM/CU60D | 1200 | 41.5 | 30.8 | 15.00 | 12.50 |
| TC4B4222S | TM8V080C16MP12C | 21.0 | CF/CM42D | 1200 | 41.0 | 30.4 | 15.00 | 12.50 |
| TC4B4222S | TM8V080C16MP12C | 21.0 | CF/CM64D | 1200 | 42.0 | 30.8 | 15.25 | 12.75 |
| TC4B4222S | TM8V100C16MP11C | 21.0 | CF/CM/CU42C | 1200 | 41.0 | 30.2 | 14.75 | 12.50 |
| TC4B4222S | TM8V100C16MP11C | 21.0 | CF/CM/CU48C | 1200 | 41.5 | 31.0 | 15.00 | 12.50 |
| TC4B4222S | TM8V100C16MP11C | 21.0 | CF/CM/CU48D | 1200 | 41.5 | 31.0 | 15.00 | 12.50 |
| TC4B4222S | TM8V100C16MP11C | 21.0 | CF/CM/CU60C | 1200 | 41.5 | 30.4 | 14.75 | 12.50 |
| TC4B4222S | TM8V100C16MP11C | 21.0 | CF/CM/CU60D | 1200 | 41.5 | 30.8 | 15.00 | 12.50 |
| TC4B4222S | TM8V100C16MP11C | 21.0 | CF/CM42D | 1200 | 41.0 | 30.4 | 15.00 | 12.50 |
| TC4B4222S | TM8V100C16MP11C | 21.0 | CF/CM64D | 1200 | 42.0 | 30.8 | 15.25 | 12.75 |
| TC4B4222S | TM8V100C16MP12C | 21.0 | CF/CM/CU42C | 1200 | 41.0 | 30.2 | 14.75 | 12.50 |
| TC4B4222S | TM8V100C16MP12C | 21.0 | CF/CM/CU48C | 1200 | 41.5 | 31.0 | 15.00 | 12.50 |
| TC4B4222S | TM8V100C16MP12C | 21.0 | CF/CM/CU48D | 1200 | 41.5 | 31.0 | 15.00 | 12.50 |
| TC4B4222S | TM8V100C16MP12C | 21.0 | CF/CM/CU60C | 1200 | 41.5 | 30.4 | 14.75 | 12.50 |
| TC4B4222S | TM8V100C16MP12C | 21.0 | CF/CM/CU60D | 1200 | 41.5 | 30.8 | 15.00 | 12.50 |
| TC4B4222S | TM8V100C16MP12C | 21.0 | CF/CM42D | 1200 | 41.0 | 30.4 | 15.00 | 12.50 |
| TC4B4222S | TM8V100C16MP12C | 21.0 | CF/CM64D | 1200 | 42.0 | 30.8 | 15.25 | 12.75 |
| TC4B4222S | TM8V100C20MP11C | 21.0 | CF/CM/CU42C | 1225 | 41.5 | 31.0 | 15.00 | 12.50 |
| TC4B4222S | TM8V100C20MP11C | 21.0 | CF/CM/CU48C | 1225 | 41.5 | 31.2 | 15.25 | 12.75 |
| TC4B4222S | TM8V100C20MP11C | 21.0 | CF/CM/CU48D | 1225 | 41.5 | 31.2 | 15.25 | 12.75 |
| TC4B4222S | TM8V100C20MP11C | 21.0 | CF/CM/CU60C | 1225 | 41.5 | 30.8 | 15.00 | 12.50 |
| TC4B4222S | TM8V100C20MP11C | 21.0 | CF/CM/CU60D | 1225 | 42.0 | 31.2 | 15.25 | 12.75 |
| TC4B4222S | TM8V100C20MP11C | 21.0 | CF/CM42D | 1325 | 42.0 | 32.4 | 15.25 | 12.75 |
| TC4B4222S | TM8V100C20MP11C | 21.0 | CF/CM64D | 1225 | 42.0 | 31.2 | 15.50 | 12.75 |
| TC4B4222S | TM8V100C20MP12C | 21.0 | CF/CM/CU42C | 1225 | 41.5 | 31.0 | 15.00 | 12.50 |
| TC4B4222S | TM8V100C20MP12C | 21.0 | CF/CM/CU48C | 1225 | 41.5 | 31.2 | 15.25 | 12.75 |
| TC4B4222S | TM8V100C20MP12C | 21.0 | CF/CM/CU48D | 1225 | 41.5 | 31.2 | 15.25 | 12.75 |
| TC4B4222S | TM8V100C20MP12C | 21.0 | CF/CM/CU60C | 1225 | 41.5 | 30.8 | 15.00 | 12.50 |
| TC4B4222S | TM8V100C20MP12C | 21.0 | CF/CM/CU60D | 1225 | 42.0 | 31.2 | 15.25 | 12.75 |
| TC4B4222S | TM8V100C20MP12C | 21.0 | CF/CM42D | 1325 | 42.0 | 32.4 | 15.25 | 12.75 |
| TC4B4222S | TM8V100C20MP12C | 21.0 | CF/CM64D | 1225 | 42.0 | 31.2 | 15.50 | 12.75 |
| TC4B4222S | TM8V120C20MP11C | 21.0 | CF/CM/CU42C | 1225 | 41.5 | 31.0 | 15.00 | 12.50 |
| TC4B4222S | TM8V120C20MP11C | 21.0 | CF/CM/CU48C | 1225 | 41.5 | 31.2 | 15.25 | 12.75 |
| TC4B4222S | TM8V120C20MP11C | 21.0 | CF/CM/CU48D | 1225 | 41.5 | 31.2 | 15.25 | 12.75 |
| TC4B4222S | TM8V120C20MP11C | 21.0 | CF/CM/CU60C | 1225 | 41.5 | 30.8 | 15.00 | 12.50 |
| TC4B4222S | TM8V120C20MP11C | 21.0 | CF/CM/CU60D | 1225 | 42.0 | 31.2 | 15.25 | 12.75 |
| TC4B4222S | TM8V120C20MP11C | 21.0 | CF/CM42D | 1325 | 42.0 | 32.4 | 15.25 | 12.75 |
| TC4B4222S | TM8V120C20MP11C | 21.0 | CF/CM64D | 1225 | 42.0 | 31.2 | 15.50 | 12.75 |

COOLING CAPACITY - With High Efficiency Motor Furnaces¹ (Continued)

| UNIT MODEL | FURNACE | | COIL MODEL ² | COOLING | | | | |
|---------------|-----------------|-------|----------------------------|--------------|---------|-------|-------|-------|
| | MODEL | WIDTH | | RATED CFM | NET MBH | | SEER | EER |
| | | | | | TOTAL | SENS. | | |
| TC4B4222S | TM8V120C20MP12C | 21.0 | CF/CM/CU42C | 1225 | 41.5 | 31.0 | 15.00 | 12.50 |
| TC4B4222S | TM8V120C20MP12C | 21.0 | CF/CM/CU48C | 1225 | 41.5 | 31.2 | 15.25 | 12.75 |
| TC4B4222S | TM8V120C20MP12C | 21.0 | CF/CM/CU48D | 1225 | 41.5 | 31.2 | 15.25 | 12.75 |
| TC4B4222S | TM8V120C20MP12C | 21.0 | CF/CM/CU60C | 1225 | 41.5 | 30.8 | 15.00 | 12.50 |
| TC4B4222S | TM8V120C20MP12C | 21.0 | CF/CM/CU60D | 1225 | 42.0 | 31.2 | 15.25 | 12.75 |
| TC4B4222S | TM8V120C20MP12C | 21.0 | CF/CM42D | 1325 | 42.0 | 32.4 | 15.25 | 12.75 |
| TC4B4222S | TM8V120C20MP12C | 21.0 | CF/CM64D | 1225 | 42.0 | 31.2 | 15.50 | 12.75 |
| TC4B4222S | TM8X080B12MP11 | 17.5 | CF/CM/CU42C | 1200 | 40.5 | 30.0 | 14.50 | 12.25 |
| TC4B4222S | TM8X080B12MP11 | 17.5 | CF/CM/CU48C | 1200 | 41.0 | 30.6 | 14.50 | 12.25 |
| TC4B4222S | TM8X080B12MP11 | 17.5 | CF/CM/CU60C | 1200 | 41.0 | 30.0 | 14.50 | 12.25 |
| TC4B4222S | TM8X080C16MP11 | 21.0 | CF/CM/CU42C | 1375 | 42.0 | 32.6 | 14.50 | 12.25 |
| TC4B4222S | TM8X080C16MP11 | 21.0 | CF/CM/CU48C | 1375 | 42.0 | 33.2 | 14.50 | 12.50 |
| TC4B4222S | TM8X080C16MP11 | 21.0 | CF/CM/CU48D | 1400 | 42.0 | 33.0 | 14.50 | 12.50 |
| TC4B4222S | TM8X080C16MP11 | 21.0 | CF/CM/CU60C | 1375 | 42.0 | 31.8 | 14.50 | 12.50 |
| TC4B4222S | TM8X080C16MP11 | 21.0 | CF/CM/CU60D | 1175 | 41.5 | 30.6 | 15.25 | 12.75 |
| TC4B4222S | TM8X080C16MP11 | 21.0 | CF/CM42D | 1175 | 41.0 | 30.2 | 15.00 | 12.50 |
| TC4B4222S | TM8X080C16MP11 | 21.0 | CF/CM64D | 1375 | 42.0 | 32.2 | 15.00 | 12.50 |
| TC4B4222S | TM8X100C16MP11 | 21.0 | CF/CM/CU42C | 1375 | 42.0 | 32.6 | 14.50 | 12.25 |
| TC4B4222S | TM8X100C16MP11 | 21.0 | CF/CM/CU48C | 1375 | 42.0 | 33.2 | 14.50 | 12.50 |
| TC4B4222S | TM8X100C16MP11 | 21.0 | CF/CM/CU48D | 1400 | 42.0 | 33.0 | 14.50 | 12.50 |
| TC4B4222S | TM8X100C16MP11 | 21.0 | CF/CM/CU60C | 1375 | 42.0 | 31.8 | 14.50 | 12.50 |
| TC4B4222S | TM8X100C16MP11 | 21.0 | CF/CM/CU60D | 1175 | 41.5 | 30.6 | 15.25 | 12.75 |
| TC4B4222S | TM8X100C16MP11 | 21.0 | CF/CM42D | 1175 | 41.0 | 30.2 | 15.00 | 12.50 |
| TC4B4222S | TM8X100C16MP11 | 21.0 | CF/CM64D | 1375 | 42.0 | 32.2 | 15.00 | 12.50 |
| TC4B4222S | TM8X100C20MP11 | 21.0 | CF/CM/CU42C | 1225 | 41.5 | 31.0 | 15.25 | 12.75 |
| TC4B4222S | TM8X100C20MP11 | 21.0 | CF/CM/CU48C | 1225 | 41.5 | 31.2 | 15.25 | 12.75 |
| TC4B4222S | TM8X100C20MP11 | 21.0 | CF/CM/CU48D | 1250 | 42.0 | 31.6 | 15.25 | 12.75 |
| TC4B4222S | TM8X100C20MP11 | 21.0 | CF/CM/CU60C | 1225 | 41.5 | 30.6 | 15.00 | 12.50 |
| TC4B4222S | TM8X100C20MP11 | 21.0 | CF/CM/CU60D | 1250 | 42.0 | 31.6 | 15.50 | 12.75 |
| TC4B4222S | TM8X100C20MP11 | 21.0 | CF/CM42D | 1250 | 41.5 | 31.2 | 15.25 | 12.75 |
| TC4B4222S | TM8X100C20MP11 | 21.0 | CF/CM64D | 1225 | 42.0 | 31.2 | 15.50 | 12.75 |
| TC4B4222S | TM8X120C20MP11 | 21.0 | CF/CM/CU42C | 1225 | 41.5 | 31.0 | 15.25 | 12.75 |
| TC4B4222S | TM8X120C20MP11 | 21.0 | CF/CM/CU48C | 1225 | 41.5 | 31.2 | 15.25 | 12.75 |
| TC4B4222S | TM8X120C20MP11 | 21.0 | CF/CM/CU48D | 1250 | 42.0 | 31.6 | 15.25 | 12.75 |
| TC4B4222S | TM8X120C20MP11 | 21.0 | CF/CM/CU60C | 1225 | 41.5 | 30.6 | 15.00 | 12.50 |
| TC4B4222S | TM8X120C20MP11 | 21.0 | CF/CM/CU60D | 1250 | 42.0 | 31.6 | 15.50 | 12.75 |
| TC4B4222S | TM8X120C20MP11 | 21.0 | CF/CM42D | 1250 | 41.5 | 31.2 | 15.25 | 12.75 |
| TC4B4222S | TM8X120C20MP11 | 21.0 | CF/CM64D | 1225 | 42.0 | 31.2 | 15.50 | 12.75 |
| TC4B4222S | TM8Y080B12MP11 | 17.5 | CF/CM/CU42C | 1200 | 40.5 | 30.0 | 14.50 | 12.25 |
| TC4B4222S | TM8Y080B12MP11 | 17.5 | CF/CM/CU48C | 1200 | 41.0 | 30.6 | 14.50 | 12.25 |
| TC4B4222S | TM8Y080B12MP11 | 17.5 | CF/CM/CU60C | 1200 | 41.0 | 30.0 | 14.50 | 12.25 |
| TC4B4222S | TM8Y080C16MP11 | 21.0 | CF/CM/CU42C | 1375 | 42.0 | 32.6 | 14.50 | 12.25 |
| TC4B4222S | TM8Y080C16MP11 | 21.0 | CF/CM/CU48C | 1375 | 42.0 | 33.2 | 14.50 | 12.50 |
| TC4B4222S | TM8Y080C16MP11 | 21.0 | CF/CM/CU48D | 1400 | 42.0 | 33.0 | 14.50 | 12.50 |
| TC4B4222S | TM8Y080C16MP11 | 21.0 | CF/CM/CU60C | 1375 | 42.0 | 31.8 | 14.50 | 12.50 |
| TC4B4222S | TM8Y080C16MP11 | 21.0 | CF/CM/CU60D | 1175 | 41.5 | 30.6 | 15.25 | 12.75 |
| TC4B4222S | TM8Y080C16MP11 | 21.0 | CF/CM42D | 1175 | 41.0 | 30.2 | 15.00 | 12.50 |
| TC4B4222S | TM8Y080C16MP11 | 21.0 | CF/CM64D | 1375 | 42.0 | 32.2 | 15.00 | 12.50 |
| TC4B4222S | TM8Y100C16MP11 | 21.0 | CF/CM/CU42C | 1375 | 42.0 | 32.6 | 14.50 | 12.25 |
| TC4B4222S | TM8Y100C16MP11 | 21.0 | CF/CM/CU48C | 1375 | 42.0 | 33.2 | 14.50 | 12.50 |
| TC4B4222S | TM8Y100C16MP11 | 21.0 | CF/CM/CU48D | 1400 | 42.0 | 33.0 | 14.50 | 12.50 |
| TC4B4222S | TM8Y100C16MP11 | 21.0 | CF/CM/CU60C | 1375 | 42.0 | 31.8 | 14.50 | 12.50 |
| TC4B4222S | TM8Y100C16MP11 | 21.0 | CF/CM/CU60D | 1175 | 41.5 | 30.6 | 15.25 | 12.75 |

COOLING CAPACITY - With High Efficiency Motor Furnaces¹ (Continued)

| UNIT MODEL | FURNACE | | COIL MODEL ² | COOLING | | | | |
|---------------|----------------|-------|----------------------------|--------------|---------|-------|-------|-------|
| | MODEL | WIDTH | | RATED CFM | NET MBH | | SEER | EER |
| | | | | | TOTAL | SENS. | | |
| TC4B4222S | TM8Y100C16MP11 | 21.0 | CF/CM42D | 1175 | 41.0 | 30.2 | 15.00 | 12.50 |
| TC4B4222S | TM8Y100C16MP11 | 21.0 | CF/CM64D | 1375 | 42.0 | 32.2 | 15.00 | 12.50 |
| TC4B4222S | TM8Y100C20MP11 | 21.0 | CF/CM/CU42C | 1225 | 41.5 | 31.0 | 15.25 | 12.75 |
| TC4B4222S | TM8Y100C20MP11 | 21.0 | CF/CM/CU48C | 1225 | 41.5 | 31.2 | 15.25 | 12.75 |
| TC4B4222S | TM8Y100C20MP11 | 21.0 | CF/CM/CU48D | 1250 | 42.0 | 31.6 | 15.25 | 12.75 |
| TC4B4222S | TM8Y100C20MP11 | 21.0 | CF/CM/CU60C | 1225 | 41.5 | 30.6 | 15.00 | 12.50 |
| TC4B4222S | TM8Y100C20MP11 | 21.0 | CF/CM/CU60D | 1250 | 42.0 | 31.6 | 15.50 | 12.75 |
| TC4B4222S | TM8Y100C20MP11 | 21.0 | CF/CM42D | 1250 | 41.5 | 31.2 | 15.25 | 12.75 |
| TC4B4222S | TM8Y100C20MP11 | 21.0 | CF/CM64D | 1225 | 42.0 | 31.2 | 15.50 | 12.75 |
| TC4B4222S | TM8Y120C20MP11 | 21.0 | CF/CM/CU42C | 1225 | 41.5 | 31.0 | 15.25 | 12.75 |
| TC4B4222S | TM8Y120C20MP11 | 21.0 | CF/CM/CU48C | 1225 | 41.5 | 31.2 | 15.25 | 12.75 |
| TC4B4222S | TM8Y120C20MP11 | 21.0 | CF/CM/CU48D | 1250 | 42.0 | 31.6 | 15.25 | 12.75 |
| TC4B4222S | TM8Y120C20MP11 | 21.0 | CF/CM/CU60C | 1225 | 41.5 | 30.6 | 15.00 | 12.50 |
| TC4B4222S | TM8Y120C20MP11 | 21.0 | CF/CM/CU60D | 1250 | 42.0 | 31.6 | 15.50 | 12.75 |
| TC4B4222S | TM8Y120C20MP11 | 21.0 | CF/CM42D | 1250 | 41.5 | 31.2 | 15.25 | 12.75 |
| TC4B4222S | TM8Y120C20MP11 | 21.0 | CF/CM64D | 1225 | 42.0 | 31.2 | 15.50 | 12.75 |
| TC4B4222S | TM9E060B12MP12 | 17.5 | CF/CM/CU48C | 1225 | 40.5 | 30.6 | 14.00 | 12.00 |
| TC4B4222S | TM9E060B12MP12 | 17.5 | CF/CM/CU60C | 1225 | 40.5 | 30.0 | 14.00 | 12.00 |
| TC4B4222S | TM9E080B12MP11 | 17.5 | CF/CM/CU42C | 1175 | 40.5 | 30.0 | 14.50 | 12.25 |
| TC4B4222S | TM9E080B12MP11 | 17.5 | CF/CM/CU48C | 1200 | 41.0 | 30.6 | 14.50 | 12.25 |
| TC4B4222S | TM9E080B12MP11 | 17.5 | CF/CM/CU60C | 1175 | 41.0 | 29.8 | 14.25 | 12.25 |
| TC4B4222S | TM9E080B12MP12 | 17.5 | CF/CM/CU42C | 1250 | 41.0 | 31.0 | 14.00 | 12.00 |
| TC4B4222S | TM9E080B12MP12 | 17.5 | CF/CM/CU48C | 1250 | 41.5 | 31.2 | 14.00 | 12.00 |
| TC4B4222S | TM9E080B12MP12 | 17.5 | CF/CM/CU60C | 1250 | 41.0 | 30.6 | 14.00 | 12.00 |
| TC4B4222S | TM9E080C16MP11 | 21.0 | CF/CM/CU42C | 1250 | 41.5 | 31.2 | 14.50 | 12.25 |
| TC4B4222S | TM9E080C16MP11 | 21.0 | CF/CM/CU48C | 1275 | 41.5 | 31.4 | 14.50 | 12.50 |
| TC4B4222S | TM9E080C16MP11 | 21.0 | CF/CM/CU48D | 1275 | 41.5 | 31.4 | 14.50 | 12.50 |
| TC4B4222S | TM9E080C16MP11 | 21.0 | CF/CM/CU60C | 1250 | 41.5 | 31.0 | 14.50 | 12.25 |
| TC4B4222S | TM9E080C16MP11 | 21.0 | CF/CM/CU60D | 1275 | 42.0 | 31.8 | 14.75 | 12.50 |
| TC4B4222S | TM9E080C16MP11 | 21.0 | CF/CM42D | 1275 | 41.5 | 31.4 | 14.50 | 12.25 |
| TC4B4222S | TM9E080C16MP11 | 21.0 | CF/CM64D | 1275 | 42.0 | 31.6 | 14.75 | 12.50 |
| TC4B4222S | TM9E080C16MP12 | 21.0 | CF/CM/CU42C | 1275 | 41.5 | 31.4 | 14.50 | 12.25 |
| TC4B4222S | TM9E080C16MP12 | 21.0 | CF/CM/CU48C | 1275 | 41.5 | 31.4 | 14.50 | 12.50 |
| TC4B4222S | TM9E080C16MP12 | 21.0 | CF/CM/CU48D | 1275 | 41.5 | 31.4 | 14.50 | 12.25 |
| TC4B4222S | TM9E080C16MP12 | 21.0 | CF/CM/CU60C | 1275 | 41.5 | 30.6 | 14.50 | 12.50 |
| TC4B4222S | TM9E080C16MP12 | 21.0 | CF/CM/CU60D | 1275 | 41.5 | 30.6 | 14.50 | 12.25 |
| TC4B4222S | TM9E080C16MP12 | 21.0 | CF/CM42D | 1275 | 41.5 | 31.4 | 14.50 | 12.25 |
| TC4B4222S | TM9E080C20MP12 | 21.0 | CF/CM/CU42C | 1225 | 41.5 | 31.0 | 15.00 | 12.50 |
| TC4B4222S | TM9E080C20MP12 | 21.0 | CF/CM/CU48C | 1225 | 41.5 | 31.2 | 15.25 | 12.50 |
| TC4B4222S | TM9E080C20MP12 | 21.0 | CF/CM/CU48D | 1250 | 42.0 | 31.6 | 15.00 | 12.50 |
| TC4B4222S | TM9E080C20MP12 | 21.0 | CF/CM/CU60C | 1225 | 41.5 | 30.6 | 15.00 | 12.50 |
| TC4B4222S | TM9E080C20MP12 | 21.0 | CF/CM/CU60D | 1250 | 41.5 | 31.0 | 15.00 | 12.50 |
| TC4B4222S | TM9E080C20MP12 | 21.0 | CF/CM42D | 1250 | 41.5 | 31.2 | 15.00 | 12.50 |
| TC4B4222S | TM9E100C16MP11 | 21.0 | CF/CM/CU42C | 1275 | 41.5 | 31.4 | 14.75 | 12.50 |
| TC4B4222S | TM9E100C16MP11 | 21.0 | CF/CM/CU48C | 1275 | 41.5 | 31.4 | 14.75 | 12.50 |
| TC4B4222S | TM9E100C16MP11 | 21.0 | CF/CM/CU48D | 1175 | 41.5 | 30.8 | 15.00 | 12.50 |
| TC4B4222S | TM9E100C16MP11 | 21.0 | CF/CM/CU60C | 1275 | 41.5 | 30.6 | 14.50 | 12.50 |
| TC4B4222S | TM9E100C16MP11 | 21.0 | CF/CM/CU60D | 1175 | 41.5 | 30.6 | 15.00 | 12.50 |
| TC4B4222S | TM9E100C16MP11 | 21.0 | CF/CM42D | 1175 | 41.0 | 30.2 | 15.00 | 12.50 |
| TC4B4222S | TM9E100C16MP11 | 21.0 | CF/CM64D | 1275 | 42.0 | 31.6 | 15.00 | 12.50 |
| TC4B4222S | TM9E100C16MP12 | 21.0 | CF/CM/CU42C | 1275 | 41.5 | 31.4 | 14.75 | 12.50 |
| TC4B4222S | TM9E100C16MP12 | 21.0 | CF/CM/CU48C | 1275 | 42.0 | 31.8 | 14.75 | 12.50 |
| TC4B4222S | TM9E100C16MP12 | 21.0 | CF/CM/CU48D | 1300 | 42.0 | 32.2 | 14.50 | 12.25 |

COOLING CAPACITY - With High Efficiency Motor Furnaces¹ (Continued)

| UNIT MODEL | FURNACE | | COIL MODEL ² | COOLING | | | | |
|---------------|-----------------|-------|----------------------------|--------------|---------|-------|-------|-------|
| | MODEL | WIDTH | | RATED CFM | NET MBH | | SEER | EER |
| | | | | | TOTAL | SENS. | | |
| TC4B4222S | TM9E100C16MP12 | 21.0 | CF/CM/CU60C | 1275 | 41.5 | 30.6 | 14.50 | 12.50 |
| TC4B4222S | TM9E100C16MP12 | 21.0 | CF/CM/CU60D | 1300 | 42.0 | 31.4 | 14.50 | 12.25 |
| TC4B4222S | TM9E100C16MP12 | 21.0 | CF/CM42D | 1300 | 41.5 | 31.4 | 14.50 | 12.25 |
| TC4B4222S | TM9E100C20MP11 | 21.0 | CF/CM/CU42C | 1175 | 41.0 | 30.2 | 15.00 | 12.50 |
| TC4B4222S | TM9E100C20MP11 | 21.0 | CF/CM/CU48C | 1175 | 41.5 | 30.8 | 15.00 | 12.50 |
| TC4B4222S | TM9E100C20MP11 | 21.0 | CF/CM/CU48D | 1200 | 41.5 | 31.0 | 15.00 | 12.50 |
| TC4B4222S | TM9E100C20MP11 | 21.0 | CF/CM/CU60C | 1175 | 41.0 | 29.8 | 14.75 | 12.50 |
| TC4B4222S | TM9E100C20MP11 | 21.0 | CF/CM/CU60D | 1200 | 42.0 | 31.0 | 15.00 | 12.50 |
| TC4B4222S | TM9E100C20MP11 | 21.0 | CF/CM42D | 1200 | 41.0 | 30.4 | 15.00 | 12.50 |
| TC4B4222S | TM9E100C20MP11 | 21.0 | CF/CM64D | 1175 | 42.0 | 31.0 | 15.25 | 12.75 |
| TC4B4222S | TM9E100C20MP12 | 21.0 | CF/CM/CU42C | 1225 | 41.5 | 31.0 | 15.25 | 12.50 |
| TC4B4222S | TM9E100C20MP12 | 21.0 | CF/CM/CU48C | 1225 | 41.5 | 31.2 | 15.25 | 12.50 |
| TC4B4222S | TM9E100C20MP12 | 21.0 | CF/CM/CU48D | 1225 | 41.5 | 31.2 | 15.00 | 12.50 |
| TC4B4222S | TM9E100C20MP12 | 21.0 | CF/CM/CU60C | 1225 | 41.5 | 30.6 | 15.00 | 12.50 |
| TC4B4222S | TM9E100C20MP12 | 21.0 | CF/CM/CU60D | 1250 | 41.5 | 31.0 | 15.00 | 12.50 |
| TC4B4222S | TM9E100C20MP12 | 21.0 | CF/CM42D | 1225 | 41.5 | 31.0 | 15.00 | 12.50 |
| TC4B4222S | TM9E120D20MP11 | 24.5 | CF/CM/CU48D | 1250 | 42.0 | 31.6 | 15.25 | 12.75 |
| TC4B4222S | TM9E120D20MP11 | 24.5 | CF/CM/CU60D | 1250 | 42.0 | 31.6 | 15.25 | 12.75 |
| TC4B4222S | TM9E120D20MP11 | 24.5 | CF/CM42D | 1250 | 41.5 | 31.2 | 15.00 | 12.50 |
| TC4B4222S | TM9E120D20MP11 | 24.5 | CF/CM64D | 1250 | 42.0 | 31.4 | 15.50 | 12.75 |
| TC4B4222S | TM9E120D20MP12 | 24.5 | CF/CM/CU48D | 1250 | 42.0 | 31.6 | 15.00 | 12.50 |
| TC4B4222S | TM9E120D20MP12 | 24.5 | CF/CM/CU60D | 1250 | 41.5 | 31.0 | 15.00 | 12.50 |
| TC4B4222S | TM9E120D20MP12 | 24.5 | CF/CM42D | 1250 | 41.5 | 31.2 | 15.00 | 12.50 |
| TC4B4222S | TM9V080B12MP11C | 17.5 | CF/CM/CU42C | 1250 | 41.0 | 31.0 | 14.25 | 12.00 |
| TC4B4222S | TM9V080B12MP11C | 17.5 | CF/CM/CU48C | 1250 | 41.5 | 31.2 | 14.25 | 12.25 |
| TC4B4222S | TM9V080B12MP11C | 17.5 | CF/CM/CU60C | 1250 | 41.0 | 30.6 | 14.25 | 12.25 |
| TC4B4222S | TM9V080B12MP11C | 17.5 | CF42B | 1175 | 40.5 | 29.8 | 14.00 | 12.00 |
| TC4B4222S | TM9V080B12MP12C | 17.5 | CF/CM/CU42C | 1250 | 41.0 | 31.0 | 14.25 | 12.00 |
| TC4B4222S | TM9V080B12MP12C | 17.5 | CF/CM/CU48C | 1250 | 41.5 | 31.2 | 14.25 | 12.25 |
| TC4B4222S | TM9V080B12MP12C | 17.5 | CF/CM/CU60C | 1250 | 41.0 | 30.6 | 14.25 | 12.25 |
| TC4B4222S | TM9V080B12MP12C | 17.5 | CF42B | 1175 | 40.5 | 29.8 | 14.00 | 12.00 |
| TC4B4222S | TM9V080C16MP11C | 21.0 | CF/CM/CU42C | 1225 | 41.0 | 30.6 | 14.50 | 12.25 |
| TC4B4222S | TM9V080C16MP11C | 21.0 | CF/CM/CU48C | 1225 | 41.5 | 31.2 | 14.50 | 12.50 |
| TC4B4222S | TM9V080C16MP11C | 21.0 | CF/CM/CU48D | 1225 | 41.5 | 31.2 | 14.75 | 12.50 |
| TC4B4222S | TM9V080C16MP11C | 21.0 | CF/CM/CU60C | 1225 | 41.0 | 30.2 | 14.50 | 12.25 |
| TC4B4222S | TM9V080C16MP11C | 21.0 | CF/CM/CU60D | 1225 | 42.0 | 31.2 | 14.75 | 12.50 |
| TC4B4222S | TM9V080C16MP11C | 21.0 | CF/CM42D | 1225 | 41.0 | 30.6 | 14.75 | 12.50 |
| TC4B4222S | TM9V080C16MP11C | 21.0 | CF/CM64D | 1225 | 42.0 | 31.0 | 15.00 | 12.50 |
| TC4B4222S | TM9V080C16MP12C | 21.0 | CF/CM/CU42C | 1225 | 41.0 | 30.6 | 14.50 | 12.25 |
| TC4B4222S | TM9V080C16MP12C | 21.0 | CF/CM/CU48C | 1225 | 41.5 | 31.2 | 14.50 | 12.50 |
| TC4B4222S | TM9V080C16MP12C | 21.0 | CF/CM/CU48D | 1225 | 41.5 | 31.2 | 14.75 | 12.50 |
| TC4B4222S | TM9V080C16MP12C | 21.0 | CF/CM/CU60C | 1225 | 41.0 | 30.2 | 14.50 | 12.25 |
| TC4B4222S | TM9V080C16MP12C | 21.0 | CF/CM/CU60D | 1225 | 42.0 | 31.2 | 14.75 | 12.50 |
| TC4B4222S | TM9V080C16MP12C | 21.0 | CF/CM42D | 1225 | 41.0 | 30.6 | 14.75 | 12.50 |
| TC4B4222S | TM9V080C16MP12C | 21.0 | CF/CM64D | 1225 | 42.0 | 31.0 | 15.00 | 12.50 |
| TC4B4222S | TM9V100C16MP11C | 21.0 | CF/CM/CU42C | 1175 | 41.0 | 30.2 | 15.00 | 12.50 |
| TC4B4222S | TM9V100C16MP11C | 21.0 | CF/CM/CU48C | 1175 | 41.5 | 30.8 | 15.00 | 12.50 |
| TC4B4222S | TM9V100C16MP11C | 21.0 | CF/CM/CU48D | 1175 | 41.5 | 30.8 | 15.00 | 12.50 |
| TC4B4222S | TM9V100C16MP11C | 21.0 | CF/CM/CU60C | 1225 | 41.5 | 30.8 | 15.00 | 12.50 |
| TC4B4222S | TM9V100C16MP11C | 21.0 | CF/CM/CU60D | 1175 | 41.5 | 30.6 | 15.25 | 12.75 |
| TC4B4222S | TM9V100C16MP11C | 21.0 | CF/CM42D | 1175 | 41.0 | 30.2 | 15.00 | 12.50 |
| TC4B4222S | TM9V100C16MP11C | 21.0 | CF/CM64D | 1175 | 42.0 | 31.0 | 15.25 | 12.75 |
| TC4B4222S | TM9V100C16MP12C | 21.0 | CF/CM/CU42C | 1175 | 41.0 | 30.2 | 15.00 | 12.50 |

COOLING CAPACITY - With High Efficiency Motor Furnaces¹ (Continued)

| UNIT MODEL | FURNACE | | COIL MODEL ² | COOLING | | | | |
|---------------|-----------------|-------|----------------------------|--------------|---------|-------|-------|-------|
| | MODEL | WIDTH | | RATED CFM | NET MBH | | SEER | EER |
| | | | | | TOTAL | SENS. | | |
| TC4B4222S | TM9V100C16MP12C | 21.0 | CF/CM/CU48C | 1175 | 41.5 | 30.8 | 15.00 | 12.50 |
| TC4B4222S | TM9V100C16MP12C | 21.0 | CF/CM/CU48D | 1175 | 41.5 | 30.8 | 15.00 | 12.50 |
| TC4B4222S | TM9V100C16MP12C | 21.0 | CF/CM/CU60C | 1225 | 41.5 | 30.8 | 15.00 | 12.50 |
| TC4B4222S | TM9V100C16MP12C | 21.0 | CF/CM/CU60D | 1175 | 41.5 | 30.6 | 15.25 | 12.75 |
| TC4B4222S | TM9V100C16MP12C | 21.0 | CF/CM42D | 1175 | 41.0 | 30.2 | 15.00 | 12.50 |
| TC4B4222S | TM9V100C16MP12C | 21.0 | CF/CM64D | 1175 | 42.0 | 31.0 | 15.25 | 12.75 |
| TC4B4222S | TM9V100C20MP11C | 21.0 | CF/CM/CU42C | 1225 | 41.5 | 31.0 | 14.75 | 12.50 |
| TC4B4222S | TM9V100C20MP11C | 21.0 | CF/CM/CU48C | 1225 | 41.5 | 31.2 | 15.00 | 12.50 |
| TC4B4222S | TM9V100C20MP11C | 21.0 | CF/CM/CU48D | 1225 | 41.5 | 31.2 | 15.00 | 12.50 |
| TC4B4222S | TM9V100C20MP11C | 21.0 | CF/CM/CU60C | 1225 | 41.5 | 30.8 | 14.75 | 12.50 |
| TC4B4222S | TM9V100C20MP11C | 21.0 | CF/CM/CU60D | 1225 | 42.0 | 31.2 | 15.00 | 12.50 |
| TC4B4222S | TM9V100C20MP11C | 21.0 | CF/CM42D | 1225 | 41.5 | 31.0 | 15.00 | 12.50 |
| TC4B4222S | TM9V100C20MP11C | 21.0 | CF/CM64D | 1225 | 42.0 | 31.2 | 15.25 | 12.75 |
| TC4B4222S | TM9V100C20MP12C | 21.0 | CF/CM/CU42C | 1225 | 41.5 | 31.0 | 14.75 | 12.50 |
| TC4B4222S | TM9V100C20MP12C | 21.0 | CF/CM/CU48C | 1225 | 41.5 | 31.2 | 15.00 | 12.50 |
| TC4B4222S | TM9V100C20MP12C | 21.0 | CF/CM/CU48D | 1225 | 41.5 | 31.2 | 15.00 | 12.50 |
| TC4B4222S | TM9V100C20MP12C | 21.0 | CF/CM/CU60C | 1225 | 41.5 | 30.8 | 14.75 | 12.50 |
| TC4B4222S | TM9V100C20MP12C | 21.0 | CF/CM/CU60D | 1225 | 42.0 | 31.2 | 15.00 | 12.50 |
| TC4B4222S | TM9V100C20MP12C | 21.0 | CF/CM42D | 1225 | 41.5 | 31.0 | 15.00 | 12.50 |
| TC4B4222S | TM9V100C20MP12C | 21.0 | CF/CM64D | 1225 | 42.0 | 31.2 | 15.25 | 12.75 |
| TC4B4222S | TM9V120D20MP11C | 24.5 | CF/CM/CU48D | 1200 | 41.5 | 31.0 | 15.25 | 12.75 |
| TC4B4222S | TM9V120D20MP11C | 24.5 | CF/CM/CU60D | 1250 | 42.0 | 31.6 | 15.25 | 12.75 |
| TC4B4222S | TM9V120D20MP11C | 24.5 | CF/CM42D | 1200 | 41.5 | 30.8 | 15.25 | 12.75 |
| TC4B4222S | TM9V120D20MP11C | 24.5 | CF/CM64D | 1200 | 42.0 | 31.0 | 15.50 | 12.75 |
| TC4B4222S | TM9V120D20MP12C | 24.5 | CF/CM/CU48D | 1200 | 41.5 | 31.0 | 15.25 | 12.75 |
| TC4B4222S | TM9V120D20MP12C | 24.5 | CF/CM/CU60D | 1250 | 42.0 | 31.6 | 15.25 | 12.75 |
| TC4B4222S | TM9V120D20MP12C | 24.5 | CF/CM42D | 1200 | 41.5 | 30.8 | 15.25 | 12.75 |
| TC4B4222S | TM9V120D20MP12C | 24.5 | CF/CM64D | 1200 | 42.0 | 31.0 | 15.50 | 12.75 |
| TC4B4222S | TM9Y080B12MP11 | 17.5 | CF/CM/CU42C | 1175 | 40.5 | 30.0 | 14.50 | 12.25 |
| TC4B4222S | TM9Y080B12MP11 | 17.5 | CF/CM/CU48C | 1200 | 41.0 | 30.6 | 14.50 | 12.25 |
| TC4B4222S | TM9Y080B12MP11 | 17.5 | CF/CM/CU60C | 1175 | 41.0 | 29.8 | 14.25 | 12.25 |
| TC4B4222S | TM9Y080C16MP11 | 21.0 | CF/CM/CU42C | 1250 | 41.5 | 31.2 | 14.50 | 12.25 |
| TC4B4222S | TM9Y080C16MP11 | 21.0 | CF/CM/CU48C | 1275 | 41.5 | 31.4 | 14.50 | 12.50 |
| TC4B4222S | TM9Y080C16MP11 | 21.0 | CF/CM/CU48D | 1275 | 41.5 | 31.4 | 14.50 | 12.50 |
| TC4B4222S | TM9Y080C16MP11 | 21.0 | CF/CM/CU60C | 1250 | 41.5 | 31.0 | 14.50 | 12.25 |
| TC4B4222S | TM9Y080C16MP11 | 21.0 | CF/CM/CU60D | 1275 | 42.0 | 31.8 | 14.75 | 12.50 |
| TC4B4222S | TM9Y080C16MP11 | 21.0 | CF/CM42D | 1275 | 41.5 | 31.4 | 14.50 | 12.25 |
| TC4B4222S | TM9Y080C16MP11 | 21.0 | CF/CM64D | 1275 | 42.0 | 31.6 | 14.75 | 12.50 |
| TC4B4222S | TM9Y100C16MP11 | 21.0 | CF/CM/CU42C | 1275 | 41.5 | 31.4 | 14.75 | 12.50 |
| TC4B4222S | TM9Y100C16MP11 | 21.0 | CF/CM/CU48C | 1275 | 41.5 | 31.4 | 14.75 | 12.50 |
| TC4B4222S | TM9Y100C16MP11 | 21.0 | CF/CM/CU48D | 1175 | 41.5 | 30.8 | 15.00 | 12.50 |
| TC4B4222S | TM9Y100C16MP11 | 21.0 | CF/CM/CU60C | 1275 | 41.5 | 30.6 | 14.50 | 12.50 |
| TC4B4222S | TM9Y100C16MP11 | 21.0 | CF/CM/CU60D | 1175 | 41.5 | 30.6 | 15.00 | 12.50 |
| TC4B4222S | TM9Y100C16MP11 | 21.0 | CF/CM42D | 1175 | 41.0 | 30.2 | 15.00 | 12.50 |
| TC4B4222S | TM9Y100C16MP11 | 21.0 | CF/CM64D | 1275 | 42.0 | 31.6 | 15.00 | 12.50 |
| TC4B4222S | TM9Y100C20MP11 | 21.0 | CF/CM/CU42C | 1175 | 41.0 | 30.2 | 15.00 | 12.50 |
| TC4B4222S | TM9Y100C20MP11 | 21.0 | CF/CM/CU48C | 1175 | 41.5 | 30.8 | 15.00 | 12.50 |
| TC4B4222S | TM9Y100C20MP11 | 21.0 | CF/CM/CU48D | 1200 | 41.5 | 31.0 | 15.00 | 12.50 |
| TC4B4222S | TM9Y100C20MP11 | 21.0 | CF/CM/CU60C | 1175 | 41.0 | 29.8 | 14.75 | 12.50 |
| TC4B4222S | TM9Y100C20MP11 | 21.0 | CF/CM/CU60D | 1200 | 42.0 | 31.0 | 15.00 | 12.50 |
| TC4B4222S | TM9Y100C20MP11 | 21.0 | CF/CM42D | 1200 | 41.0 | 30.4 | 15.00 | 12.50 |
| TC4B4222S | TM9Y100C20MP11 | 21.0 | CF/CM64D | 1175 | 42.0 | 31.0 | 15.25 | 12.75 |
| TC4B4222S | TM9Y120D20MP11 | 24.5 | CF/CM/CU48D | 1250 | 42.0 | 31.6 | 15.25 | 12.75 |

COOLING CAPACITY - With High Efficiency Motor Furnaces¹ (Continued)

| UNIT MODEL | FURNACE | | COIL MODEL ² | COOLING | | | | |
|---------------|-----------------|-------|----------------------------|--------------|---------|-------|-------|-------|
| | MODEL | WIDTH | | RATED CFM | NET MBH | | SEER | EER |
| | | | | | TOTAL | SENS. | | |
| TC4B4222S | TM9Y120D20MP11 | 24.5 | CF/CM/CU60D | 1250 | 42.0 | 31.6 | 15.25 | 12.75 |
| TC4B4222S | TM9Y120D20MP11 | 24.5 | CF/CM42D | 1250 | 41.5 | 31.2 | 15.00 | 12.50 |
| TC4B4222S | TM9Y120D20MP11 | 24.5 | CF/CM64D | 1250 | 42.0 | 31.4 | 15.50 | 12.75 |
| TC4B4222S | TMLV060A12MP11C | 14.5 | CF42B | 1275 | 40.5 | 30.6 | 14.00 | 12.00 |
| TC4B4222S | TMLV060A12MP12C | 14.5 | CF42B | 1275 | 40.5 | 30.6 | 14.00 | 12.00 |
| TC4B4222S | TMLV080C16MP11C | 21.0 | CF/CM/CU42C | 1200 | 41.0 | 30.2 | 14.75 | 12.50 |
| TC4B4222S | TMLV080C16MP11C | 21.0 | CF/CM/CU48C | 1200 | 41.5 | 31.0 | 15.00 | 12.50 |
| TC4B4222S | TMLV080C16MP11C | 21.0 | CF/CM/CU48D | 1200 | 41.5 | 31.0 | 15.00 | 12.50 |
| TC4B4222S | TMLV080C16MP11C | 21.0 | CF/CM/CU60C | 1200 | 41.5 | 30.4 | 14.75 | 12.50 |
| TC4B4222S | TMLV080C16MP11C | 21.0 | CF/CM/CU60D | 1200 | 41.5 | 30.8 | 15.00 | 12.50 |
| TC4B4222S | TMLV080C16MP11C | 21.0 | CF/CM42D | 1200 | 41.0 | 30.4 | 15.00 | 12.50 |
| TC4B4222S | TMLV080C16MP11C | 21.0 | CF/CM64D | 1200 | 42.0 | 30.8 | 15.25 | 12.75 |
| TC4B4222S | TMLV080C16MP12C | 21.0 | CF/CM/CU42C | 1200 | 41.0 | 30.2 | 14.75 | 12.50 |
| TC4B4222S | TMLV080C16MP12C | 21.0 | CF/CM/CU48C | 1200 | 41.5 | 31.0 | 15.00 | 12.50 |
| TC4B4222S | TMLV080C16MP12C | 21.0 | CF/CM/CU48D | 1200 | 41.5 | 31.0 | 15.00 | 12.50 |
| TC4B4222S | TMLV080C16MP12C | 21.0 | CF/CM/CU60C | 1200 | 41.5 | 30.4 | 14.75 | 12.50 |
| TC4B4222S | TMLV080C16MP12C | 21.0 | CF/CM/CU60D | 1200 | 41.5 | 30.8 | 15.00 | 12.50 |
| TC4B4222S | TMLV080C16MP12C | 21.0 | CF/CM42D | 1200 | 41.0 | 30.4 | 15.00 | 12.50 |
| TC4B4222S | TMLV080C16MP12C | 21.0 | CF/CM64D | 1200 | 42.0 | 30.8 | 15.25 | 12.75 |
| TC4B4222S | TMLV100C16MP11C | 21.0 | CF/CM/CU42C | 1200 | 41.0 | 30.2 | 14.75 | 12.50 |
| TC4B4222S | TMLV100C16MP11C | 21.0 | CF/CM/CU48C | 1200 | 41.5 | 31.0 | 15.00 | 12.50 |
| TC4B4222S | TMLV100C16MP11C | 21.0 | CF/CM/CU48D | 1200 | 41.5 | 31.0 | 15.00 | 12.50 |
| TC4B4222S | TMLV100C16MP11C | 21.0 | CF/CM/CU60C | 1200 | 41.5 | 30.4 | 14.75 | 12.50 |
| TC4B4222S | TMLV100C16MP11C | 21.0 | CF/CM/CU60D | 1200 | 41.5 | 30.8 | 15.00 | 12.50 |
| TC4B4222S | TMLV100C16MP11C | 21.0 | CF/CM42D | 1200 | 41.0 | 30.4 | 15.00 | 12.50 |
| TC4B4222S | TMLV100C16MP11C | 21.0 | CF/CM64D | 1200 | 42.0 | 30.8 | 15.25 | 12.75 |
| TC4B4222S | TMLV100C16MP12C | 21.0 | CF/CM/CU42C | 1200 | 41.0 | 30.2 | 14.75 | 12.50 |
| TC4B4222S | TMLV100C16MP12C | 21.0 | CF/CM/CU48C | 1200 | 41.5 | 31.0 | 15.00 | 12.50 |
| TC4B4222S | TMLV100C16MP12C | 21.0 | CF/CM/CU48D | 1200 | 41.5 | 31.0 | 15.00 | 12.50 |
| TC4B4222S | TMLV100C16MP12C | 21.0 | CF/CM/CU60C | 1200 | 41.5 | 30.4 | 14.75 | 12.50 |
| TC4B4222S | TMLV100C16MP12C | 21.0 | CF/CM/CU60D | 1200 | 41.5 | 30.8 | 15.00 | 12.50 |
| TC4B4222S | TMLV100C16MP12C | 21.0 | CF/CM42D | 1200 | 41.0 | 30.4 | 15.00 | 12.50 |
| TC4B4222S | TMLV100C16MP12C | 21.0 | CF/CM64D | 1200 | 42.0 | 30.8 | 15.25 | 12.75 |
| TC4B4222S | TMLV100C20MP11C | 21.0 | CF/CM/CU42C | 1225 | 41.5 | 31.0 | 15.00 | 12.50 |
| TC4B4222S | TMLV100C20MP11C | 21.0 | CF/CM/CU48C | 1225 | 41.5 | 31.2 | 15.25 | 12.75 |
| TC4B4222S | TMLV100C20MP11C | 21.0 | CF/CM/CU48D | 1225 | 41.5 | 31.2 | 15.25 | 12.75 |
| TC4B4222S | TMLV100C20MP11C | 21.0 | CF/CM/CU60C | 1225 | 41.5 | 30.8 | 15.00 | 12.50 |
| TC4B4222S | TMLV100C20MP11C | 21.0 | CF/CM/CU60D | 1225 | 42.0 | 31.2 | 15.25 | 12.75 |
| TC4B4222S | TMLV100C20MP11C | 21.0 | CF/CM42D | 1325 | 42.0 | 32.4 | 15.25 | 12.75 |
| TC4B4222S | TMLV100C20MP11C | 21.0 | CF/CM64D | 1225 | 42.0 | 31.2 | 15.50 | 12.75 |
| TC4B4222S | TMLV100C20MP12C | 21.0 | CF/CM/CU42C | 1225 | 41.5 | 31.0 | 15.00 | 12.50 |
| TC4B4222S | TMLV100C20MP12C | 21.0 | CF/CM/CU48C | 1225 | 41.5 | 31.2 | 15.25 | 12.75 |
| TC4B4222S | TMLV100C20MP12C | 21.0 | CF/CM/CU48D | 1225 | 41.5 | 31.2 | 15.25 | 12.75 |
| TC4B4222S | TMLV100C20MP12C | 21.0 | CF/CM/CU60C | 1225 | 41.5 | 30.8 | 15.00 | 12.50 |
| TC4B4222S | TMLV100C20MP12C | 21.0 | CF/CM/CU60D | 1225 | 42.0 | 31.2 | 15.25 | 12.75 |
| TC4B4222S | TMLV100C20MP12C | 21.0 | CF/CM42D | 1325 | 42.0 | 32.4 | 15.25 | 12.75 |
| TC4B4222S | TMLV100C20MP12C | 21.0 | CF/CM64D | 1225 | 42.0 | 31.2 | 15.50 | 12.75 |
| TC4B4222S | TMLV120C20MP11C | 21.0 | CF/CM/CU42C | 1225 | 41.5 | 31.0 | 15.00 | 12.50 |
| TC4B4222S | TMLV120C20MP11C | 21.0 | CF/CM/CU48C | 1225 | 41.5 | 31.2 | 15.25 | 12.75 |
| TC4B4222S | TMLV120C20MP11C | 21.0 | CF/CM/CU48D | 1225 | 41.5 | 31.2 | 15.25 | 12.75 |
| TC4B4222S | TMLV120C20MP11C | 21.0 | CF/CM/CU60C | 1225 | 41.5 | 30.8 | 15.00 | 12.50 |
| TC4B4222S | TMLV120C20MP11C | 21.0 | CF/CM/CU60D | 1225 | 42.0 | 31.2 | 15.25 | 12.75 |
| TC4B4222S | TMLV120C20MP11C | 21.0 | CF/CM42D | 1325 | 42.0 | 32.4 | 15.25 | 12.75 |

COOLING CAPACITY - With High Efficiency Motor Furnaces¹ (Continued)

| UNIT MODEL | FURNACE | | COIL MODEL ² | COOLING | | | | |
|---------------|-----------------|-------|----------------------------|--------------|---------|-------|-------|-------|
| | MODEL | WIDTH | | RATED CFM | NET MBH | | SEER | EER |
| | | | | | TOTAL | SENS. | | |
| TC4B4222S | TMLV120C20MP11C | 21.0 | CF/CM64D | 1225 | 42.0 | 31.2 | 15.50 | 12.75 |
| TC4B4222S | TMLV120C20MP12C | 21.0 | CF/CM/CU42C | 1225 | 41.5 | 31.0 | 15.00 | 12.50 |
| TC4B4222S | TMLV120C20MP12C | 21.0 | CF/CM/CU48C | 1225 | 41.5 | 31.2 | 15.25 | 12.75 |
| TC4B4222S | TMLV120C20MP12C | 21.0 | CF/CM/CU48D | 1225 | 41.5 | 31.2 | 15.25 | 12.75 |
| TC4B4222S | TMLV120C20MP12C | 21.0 | CF/CM/CU60C | 1225 | 41.5 | 30.8 | 15.00 | 12.50 |
| TC4B4222S | TMLV120C20MP12C | 21.0 | CF/CM/CU60D | 1225 | 42.0 | 31.2 | 15.25 | 12.75 |
| TC4B4222S | TMLV120C20MP12C | 21.0 | CF/CM42D | 1325 | 42.0 | 32.4 | 15.25 | 12.75 |
| TC4B4222S | TMLV120C20MP12C | 21.0 | CF/CM64D | 1225 | 42.0 | 31.2 | 15.50 | 12.75 |
| TC4B4222S | TMLX080B12MP11 | 17.5 | CF/CM/CU42C | 1200 | 40.5 | 30.0 | 14.50 | 12.25 |
| TC4B4222S | TMLX080B12MP11 | 17.5 | CF/CM/CU48C | 1200 | 41.0 | 30.6 | 14.50 | 12.25 |
| TC4B4222S | TMLX080B12MP11 | 17.5 | CF/CM/CU60C | 1200 | 41.0 | 30.0 | 14.50 | 12.25 |
| TC4B4222S | TMLX080C16MP11 | 21.0 | CF/CM/CU42C | 1375 | 42.0 | 32.6 | 14.50 | 12.25 |
| TC4B4222S | TMLX080C16MP11 | 21.0 | CF/CM/CU48C | 1375 | 42.0 | 33.2 | 14.50 | 12.50 |
| TC4B4222S | TMLX080C16MP11 | 21.0 | CF/CM/CU48D | 1400 | 42.0 | 33.0 | 14.50 | 12.50 |
| TC4B4222S | TMLX080C16MP11 | 21.0 | CF/CM/CU60C | 1375 | 42.0 | 31.8 | 14.50 | 12.50 |
| TC4B4222S | TMLX080C16MP11 | 21.0 | CF/CM/CU60D | 1175 | 41.5 | 30.6 | 15.25 | 12.75 |
| TC4B4222S | TMLX080C16MP11 | 21.0 | CF/CM42D | 1175 | 41.0 | 30.2 | 15.00 | 12.50 |
| TC4B4222S | TMLX080C16MP11 | 21.0 | CF/CM64D | 1375 | 42.0 | 32.2 | 15.00 | 12.50 |
| TC4B4222S | TMLX100C16MP11 | 21.0 | CF/CM/CU42C | 1375 | 42.0 | 32.6 | 14.50 | 12.25 |
| TC4B4222S | TMLX100C16MP11 | 21.0 | CF/CM/CU48C | 1375 | 42.0 | 33.2 | 14.50 | 12.50 |
| TC4B4222S | TMLX100C16MP11 | 21.0 | CF/CM/CU48D | 1400 | 42.0 | 33.0 | 14.50 | 12.50 |
| TC4B4222S | TMLX100C16MP11 | 21.0 | CF/CM/CU60C | 1375 | 42.0 | 31.8 | 14.50 | 12.50 |
| TC4B4222S | TMLX100C16MP11 | 21.0 | CF/CM/CU60D | 1175 | 41.5 | 30.6 | 15.25 | 12.75 |
| TC4B4222S | TMLX100C16MP11 | 21.0 | CF/CM42D | 1175 | 41.0 | 30.2 | 15.00 | 12.50 |
| TC4B4222S | TMLX100C16MP11 | 21.0 | CF/CM64D | 1375 | 42.0 | 32.2 | 15.00 | 12.50 |
| TC4B4222S | TMLX100C20MP11 | 21.0 | CF/CM/CU42C | 1225 | 41.5 | 31.0 | 15.25 | 12.75 |
| TC4B4222S | TMLX100C20MP11 | 21.0 | CF/CM/CU48C | 1225 | 41.5 | 31.2 | 15.25 | 12.75 |
| TC4B4222S | TMLX100C20MP11 | 21.0 | CF/CM/CU48D | 1250 | 42.0 | 31.6 | 15.25 | 12.75 |
| TC4B4222S | TMLX100C20MP11 | 21.0 | CF/CM/CU60C | 1225 | 41.5 | 30.6 | 15.00 | 12.50 |
| TC4B4222S | TMLX100C20MP11 | 21.0 | CF/CM/CU60D | 1250 | 42.0 | 31.6 | 15.50 | 12.75 |
| TC4B4222S | TMLX100C20MP11 | 21.0 | CF/CM42D | 1250 | 41.5 | 31.2 | 15.25 | 12.75 |
| TC4B4222S | TMLX100C20MP11 | 21.0 | CF/CM64D | 1225 | 42.0 | 31.2 | 15.50 | 12.75 |
| TC4B4222S | TMLX120C20MP11 | 21.0 | CF/CM/CU42C | 1225 | 41.5 | 31.0 | 15.25 | 12.75 |
| TC4B4222S | TMLX120C20MP11 | 21.0 | CF/CM/CU48C | 1225 | 41.5 | 31.2 | 15.25 | 12.75 |
| TC4B4222S | TMLX120C20MP11 | 21.0 | CF/CM/CU48D | 1250 | 42.0 | 31.6 | 15.25 | 12.75 |
| TC4B4222S | TMLX120C20MP11 | 21.0 | CF/CM/CU60C | 1225 | 41.5 | 30.6 | 15.00 | 12.50 |
| TC4B4222S | TMLX120C20MP11 | 21.0 | CF/CM/CU60D | 1250 | 42.0 | 31.6 | 15.50 | 12.75 |
| TC4B4222S | TMLX120C20MP11 | 21.0 | CF/CM42D | 1250 | 41.5 | 31.2 | 15.25 | 12.75 |
| TC4B4222S | TMLX120C20MP11 | 21.0 | CF/CM64D | 1225 | 42.0 | 31.2 | 15.50 | 12.75 |
| TC4B4222S | TP9C080B12MP12C | 17.5 | CF/CM/CU42C | 1250 | 41.0 | 31.0 | 14.25 | 12.00 |
| TC4B4222S | TP9C080B12MP12C | 17.5 | CF/CM/CU48C | 1250 | 41.5 | 31.2 | 14.25 | 12.25 |
| TC4B4222S | TP9C080B12MP12C | 17.5 | CF/CM/CU60C | 1250 | 41.0 | 30.6 | 14.25 | 12.25 |
| TC4B4222S | TP9C080B12MP12C | 17.5 | CF42B | 1175 | 40.5 | 29.8 | 14.00 | 12.00 |
| TC4B4222S | TP9C080B12MP13C | 17.5 | CF/CM/CU42C | 1250 | 41.0 | 31.0 | 14.25 | 12.00 |
| TC4B4222S | TP9C080B12MP13C | 17.5 | CF/CM/CU48C | 1250 | 41.5 | 31.2 | 14.25 | 12.25 |
| TC4B4222S | TP9C080B12MP13C | 17.5 | CF/CM/CU60C | 1250 | 41.0 | 30.6 | 14.25 | 12.25 |
| TC4B4222S | TP9C080B12MP13C | 17.5 | CF42B | 1175 | 40.5 | 29.8 | 14.00 | 12.00 |
| TC4B4222S | TP9C080C16MP13C | 21.0 | CF/CM/CU42C | 1225 | 41.0 | 30.6 | 14.50 | 12.25 |
| TC4B4222S | TP9C080C16MP13C | 21.0 | CF/CM/CU48C | 1225 | 41.5 | 31.2 | 14.50 | 12.50 |
| TC4B4222S | TP9C080C16MP13C | 21.0 | CF/CM/CU48D | 1225 | 41.5 | 31.2 | 14.75 | 12.50 |
| TC4B4222S | TP9C080C16MP13C | 21.0 | CF/CM/CU60C | 1225 | 41.0 | 30.2 | 14.50 | 12.25 |
| TC4B4222S | TP9C080C16MP13C | 21.0 | CF/CM/CU60D | 1225 | 42.0 | 31.2 | 14.75 | 12.50 |
| TC4B4222S | TP9C080C16MP13C | 21.0 | CF/CM42D | 1225 | 41.0 | 30.6 | 14.75 | 12.50 |

COOLING CAPACITY - With High Efficiency Motor Furnaces¹ (Continued)

| UNIT MODEL | FURNACE | | COIL MODEL ² | COOLING | | | | |
|---------------|-----------------|-------|----------------------------|--------------|---------|-------|-------|-------|
| | MODEL | WIDTH | | RATED CFM | NET MBH | | SEER | EER |
| | | | | | TOTAL | SENS. | | |
| TC4B4222S | TP9C080C16MP13C | 21.0 | CF/CM64D | 1225 | 42.0 | 31.0 | 15.00 | 12.50 |
| TC4B4222S | TP9C100C16MP12C | 21.0 | CF/CM/CU42C | 1175 | 41.0 | 30.2 | 15.00 | 12.50 |
| TC4B4222S | TP9C100C16MP12C | 21.0 | CF/CM/CU48C | 1175 | 41.5 | 30.8 | 15.00 | 12.50 |
| TC4B4222S | TP9C100C16MP12C | 21.0 | CF/CM/CU48D | 1175 | 41.5 | 30.8 | 15.00 | 12.50 |
| TC4B4222S | TP9C100C16MP12C | 21.0 | CF/CM/CU60C | 1225 | 41.5 | 30.8 | 15.00 | 12.50 |
| TC4B4222S | TP9C100C16MP12C | 21.0 | CF/CM/CU60D | 1175 | 41.5 | 30.6 | 15.25 | 12.75 |
| TC4B4222S | TP9C100C16MP12C | 21.0 | CF/CM42D | 1175 | 41.0 | 30.2 | 15.00 | 12.50 |
| TC4B4222S | TP9C100C16MP12C | 21.0 | CF/CM64D | 1175 | 42.0 | 31.0 | 15.25 | 12.75 |
| TC4B4222S | TP9C100C16MP13C | 21.0 | CF/CM/CU42C | 1175 | 41.0 | 30.2 | 15.00 | 12.50 |
| TC4B4222S | TP9C100C16MP13C | 21.0 | CF/CM/CU48C | 1175 | 41.5 | 30.8 | 15.00 | 12.50 |
| TC4B4222S | TP9C100C16MP13C | 21.0 | CF/CM/CU48D | 1175 | 41.5 | 30.8 | 15.00 | 12.50 |
| TC4B4222S | TP9C100C16MP13C | 21.0 | CF/CM/CU60C | 1225 | 41.5 | 30.8 | 15.00 | 12.50 |
| TC4B4222S | TP9C100C16MP13C | 21.0 | CF/CM/CU60D | 1175 | 41.5 | 30.6 | 15.25 | 12.75 |
| TC4B4222S | TP9C100C16MP13C | 21.0 | CF/CM42D | 1175 | 41.0 | 30.2 | 15.00 | 12.50 |
| TC4B4222S | TP9C100C16MP13C | 21.0 | CF/CM64D | 1175 | 42.0 | 31.0 | 15.25 | 12.75 |
| TC4B4222S | TP9C100C20MP12C | 21.0 | CF/CM/CU42C | 1225 | 41.5 | 31.0 | 14.75 | 12.50 |
| TC4B4222S | TP9C100C20MP12C | 21.0 | CF/CM/CU48C | 1225 | 41.5 | 31.2 | 15.00 | 12.50 |
| TC4B4222S | TP9C100C20MP12C | 21.0 | CF/CM/CU48D | 1225 | 41.5 | 31.2 | 15.00 | 12.50 |
| TC4B4222S | TP9C100C20MP12C | 21.0 | CF/CM/CU60C | 1225 | 41.5 | 30.8 | 14.75 | 12.50 |
| TC4B4222S | TP9C100C20MP12C | 21.0 | CF/CM/CU60D | 1225 | 42.0 | 31.2 | 15.00 | 12.50 |
| TC4B4222S | TP9C100C20MP12C | 21.0 | CF/CM42D | 1225 | 41.5 | 31.0 | 15.00 | 12.50 |
| TC4B4222S | TP9C100C20MP12C | 21.0 | CF/CM64D | 1225 | 42.0 | 31.2 | 15.25 | 12.75 |
| TC4B4222S | TP9C100C20MP13C | 21.0 | CF/CM/CU42C | 1225 | 41.5 | 31.0 | 14.75 | 12.50 |
| TC4B4222S | TP9C100C20MP13C | 21.0 | CF/CM/CU48C | 1225 | 41.5 | 31.2 | 15.00 | 12.50 |
| TC4B4222S | TP9C100C20MP13C | 21.0 | CF/CM/CU48D | 1225 | 41.5 | 31.2 | 15.00 | 12.50 |
| TC4B4222S | TP9C100C20MP13C | 21.0 | CF/CM/CU60C | 1225 | 41.5 | 30.8 | 14.75 | 12.50 |
| TC4B4222S | TP9C100C20MP13C | 21.0 | CF/CM/CU60D | 1225 | 42.0 | 31.2 | 15.00 | 12.50 |
| TC4B4222S | TP9C100C20MP13C | 21.0 | CF/CM42D | 1225 | 41.5 | 31.0 | 15.00 | 12.50 |
| TC4B4222S | TP9C100C20MP13C | 21.0 | CF/CM64D | 1225 | 42.0 | 31.2 | 15.25 | 12.75 |
| TC4B4222S | TP9C120D20MP12C | 24.5 | CF/CM/CU48D | 1200 | 41.5 | 31.0 | 15.25 | 12.75 |
| TC4B4222S | TP9C120D20MP12C | 24.5 | CF/CM/CU60D | 1250 | 42.0 | 31.6 | 15.25 | 12.75 |
| TC4B4222S | TP9C120D20MP12C | 24.5 | CF/CM42D | 1200 | 41.5 | 30.8 | 15.25 | 12.75 |
| TC4B4222S | TP9C120D20MP12C | 24.5 | CF/CM64D | 1200 | 42.0 | 31.0 | 15.50 | 12.75 |
| TC4B4222S | TP9C120D20MP13C | 24.5 | CF/CM/CU48D | 1200 | 41.5 | 31.0 | 15.25 | 12.75 |
| TC4B4222S | TP9C120D20MP13C | 24.5 | CF/CM/CU60D | 1250 | 42.0 | 31.6 | 15.25 | 12.75 |
| TC4B4222S | TP9C120D20MP13C | 24.5 | CF/CM42D | 1200 | 41.5 | 30.8 | 15.25 | 12.75 |
| TC4B4222S | TP9C120D20MP13C | 24.5 | CF/CM64D | 1200 | 42.0 | 31.0 | 15.50 | 12.75 |
| TC4B4222S | TPLC060A12MP12C | 14.5 | CF42B | 1275 | 40.5 | 30.6 | 14.00 | 12.00 |
| TC4B4222S | TPLC060A12MP13C | 14.5 | CF42B | 1275 | 40.5 | 30.6 | 14.00 | 12.00 |
| TC4B4222S | TPLC080C16MP12C | 21.0 | CF/CM/CU42C | 1200 | 41.0 | 30.2 | 14.75 | 12.50 |
| TC4B4222S | TPLC080C16MP12C | 21.0 | CF/CM/CU48C | 1200 | 41.5 | 31.0 | 15.00 | 12.50 |
| TC4B4222S | TPLC080C16MP12C | 21.0 | CF/CM/CU48D | 1200 | 41.5 | 31.0 | 15.00 | 12.50 |
| TC4B4222S | TPLC080C16MP12C | 21.0 | CF/CM/CU60C | 1200 | 41.5 | 30.4 | 14.75 | 12.50 |
| TC4B4222S | TPLC080C16MP12C | 21.0 | CF/CM/CU60D | 1200 | 41.5 | 30.8 | 15.00 | 12.50 |
| TC4B4222S | TPLC080C16MP12C | 21.0 | CF/CM42D | 1200 | 41.0 | 30.4 | 15.00 | 12.50 |
| TC4B4222S | TPLC080C16MP12C | 21.0 | CF/CM64D | 1200 | 42.0 | 30.8 | 15.25 | 12.75 |
| TC4B4222S | TPLC080C16MP13C | 21.0 | CF/CM/CU42C | 1200 | 41.0 | 30.2 | 14.75 | 12.50 |
| TC4B4222S | TPLC080C16MP13C | 21.0 | CF/CM/CU48C | 1200 | 41.5 | 31.0 | 15.00 | 12.50 |
| TC4B4222S | TPLC080C16MP13C | 21.0 | CF/CM/CU48D | 1200 | 41.5 | 31.0 | 15.00 | 12.50 |
| TC4B4222S | TPLC080C16MP13C | 21.0 | CF/CM/CU60C | 1200 | 41.5 | 30.4 | 14.75 | 12.50 |
| TC4B4222S | TPLC080C16MP13C | 21.0 | CF/CM/CU60D | 1200 | 41.5 | 30.8 | 15.00 | 12.50 |
| TC4B4222S | TPLC080C16MP13C | 21.0 | CF/CM42D | 1200 | 41.0 | 30.4 | 15.00 | 12.50 |
| TC4B4222S | TPLC080C16MP13C | 21.0 | CF/CM64D | 1200 | 42.0 | 30.8 | 15.25 | 12.75 |
| TC4B4222S | TPLC080C16MP13C | 21.0 | CF/CM/CU42C | 1200 | 41.0 | 30.2 | 14.75 | 12.50 |
| TC4B4222S | TPLC080C16MP13C | 21.0 | CF/CM/CU48C | 1200 | 41.5 | 31.0 | 15.00 | 12.50 |
| TC4B4222S | TPLC080C16MP13C | 21.0 | CF/CM/CU48D | 1200 | 41.5 | 31.0 | 15.00 | 12.50 |
| TC4B4222S | TPLC080C16MP13C | 21.0 | CF/CM/CU60C | 1200 | 41.5 | 30.4 | 14.75 | 12.50 |
| TC4B4222S | TPLC080C16MP13C | 21.0 | CF/CM/CU60D | 1200 | 41.5 | 30.8 | 15.00 | 12.50 |
| TC4B4222S | TPLC080C16MP13C | 21.0 | CF/CM42D | 1200 | 41.0 | 30.4 | 15.00 | 12.50 |
| TC4B4222S | TPLC080C16MP13C | 21.0 | CF/CM64D | 1200 | 42.0 | 30.8 | 15.25 | 12.75 |

COOLING CAPACITY - With High Efficiency Motor Furnaces¹ (Continued)

| UNIT MODEL | FURNACE | | COIL MODEL ² | COOLING | | | | |
|---------------|-----------------|-------|----------------------------|--------------|---------|-------|-------|-------|
| | MODEL | WIDTH | | RATED CFM | NET MBH | | SEER | EER |
| | | | | | TOTAL | SENS. | | |
| TC4B4222S | TPLC100C16MP12C | 21.0 | CF/CM/CU42C | 1200 | 41.0 | 30.2 | 14.75 | 12.50 |
| TC4B4222S | TPLC100C16MP12C | 21.0 | CF/CM/CU48C | 1200 | 41.5 | 31.0 | 15.00 | 12.50 |
| TC4B4222S | TPLC100C16MP12C | 21.0 | CF/CM/CU48D | 1200 | 41.5 | 31.0 | 15.00 | 12.50 |
| TC4B4222S | TPLC100C16MP12C | 21.0 | CF/CM/CU60C | 1200 | 41.5 | 30.4 | 14.75 | 12.50 |
| TC4B4222S | TPLC100C16MP12C | 21.0 | CF/CM/CU60D | 1200 | 41.5 | 30.8 | 15.00 | 12.50 |
| TC4B4222S | TPLC100C16MP12C | 21.0 | CF/CM42D | 1200 | 41.0 | 30.4 | 15.00 | 12.50 |
| TC4B4222S | TPLC100C16MP12C | 21.0 | CF/CM64D | 1200 | 42.0 | 30.8 | 15.25 | 12.75 |
| TC4B4222S | TPLC100C16MP13C | 21.0 | CF/CM/CU42C | 1200 | 41.0 | 30.2 | 14.75 | 12.50 |
| TC4B4222S | TPLC100C16MP13C | 21.0 | CF/CM/CU48C | 1200 | 41.5 | 31.0 | 15.00 | 12.50 |
| TC4B4222S | TPLC100C16MP13C | 21.0 | CF/CM/CU48D | 1200 | 41.5 | 31.0 | 15.00 | 12.50 |
| TC4B4222S | TPLC100C16MP13C | 21.0 | CF/CM/CU60C | 1200 | 41.5 | 30.4 | 14.75 | 12.50 |
| TC4B4222S | TPLC100C16MP13C | 21.0 | CF/CM/CU60D | 1200 | 41.5 | 30.8 | 15.00 | 12.50 |
| TC4B4222S | TPLC100C16MP13C | 21.0 | CF/CM42D | 1200 | 41.0 | 30.4 | 15.00 | 12.50 |
| TC4B4222S | TPLC100C16MP13C | 21.0 | CF/CM64D | 1200 | 42.0 | 30.8 | 15.25 | 12.75 |
| TC4B4222S | TPLC100C20MP12C | 21.0 | CF/CM/CU42C | 1225 | 41.5 | 31.0 | 15.00 | 12.50 |
| TC4B4222S | TPLC100C20MP12C | 21.0 | CF/CM/CU48C | 1225 | 41.5 | 31.2 | 15.25 | 12.75 |
| TC4B4222S | TPLC100C20MP12C | 21.0 | CF/CM/CU48D | 1225 | 41.5 | 31.2 | 15.25 | 12.75 |
| TC4B4222S | TPLC100C20MP12C | 21.0 | CF/CM/CU60C | 1225 | 41.5 | 30.8 | 15.00 | 12.50 |
| TC4B4222S | TPLC100C20MP12C | 21.0 | CF/CM/CU60D | 1225 | 42.0 | 31.2 | 15.25 | 12.75 |
| TC4B4222S | TPLC100C20MP12C | 21.0 | CF/CM42D | 1325 | 42.0 | 32.4 | 15.25 | 12.75 |
| TC4B4222S | TPLC100C20MP12C | 21.0 | CF/CM64D | 1225 | 42.0 | 31.2 | 15.50 | 12.75 |
| TC4B4222S | TPLC100C20MP13C | 21.0 | CF/CM/CU42C | 1225 | 41.5 | 31.0 | 15.00 | 12.50 |
| TC4B4222S | TPLC100C20MP13C | 21.0 | CF/CM/CU48C | 1225 | 41.5 | 31.2 | 15.25 | 12.75 |
| TC4B4222S | TPLC100C20MP13C | 21.0 | CF/CM/CU48D | 1225 | 41.5 | 31.2 | 15.25 | 12.75 |
| TC4B4222S | TPLC100C20MP13C | 21.0 | CF/CM/CU60C | 1225 | 41.5 | 30.8 | 15.00 | 12.50 |
| TC4B4222S | TPLC100C20MP13C | 21.0 | CF/CM/CU60D | 1225 | 42.0 | 31.2 | 15.25 | 12.75 |
| TC4B4222S | TPLC100C20MP13C | 21.0 | CF/CM42D | 1325 | 42.0 | 32.4 | 15.25 | 12.75 |
| TC4B4222S | TPLC100C20MP13C | 21.0 | CF/CM64D | 1225 | 42.0 | 31.2 | 15.50 | 12.75 |
| TC4B4222S | TPLC120C20MP12C | 21.0 | CF/CM/CU42C | 1225 | 41.5 | 31.0 | 15.00 | 12.50 |
| TC4B4222S | TPLC120C20MP12C | 21.0 | CF/CM/CU48C | 1225 | 41.5 | 31.2 | 15.25 | 12.75 |
| TC4B4222S | TPLC120C20MP12C | 21.0 | CF/CM/CU48D | 1225 | 41.5 | 31.2 | 15.25 | 12.75 |
| TC4B4222S | TPLC120C20MP12C | 21.0 | CF/CM/CU60C | 1225 | 41.5 | 30.8 | 15.00 | 12.50 |
| TC4B4222S | TPLC120C20MP12C | 21.0 | CF/CM/CU60D | 1225 | 42.0 | 31.2 | 15.25 | 12.75 |
| TC4B4222S | TPLC120C20MP12C | 21.0 | CF/CM42D | 1325 | 42.0 | 32.4 | 15.25 | 12.75 |
| TC4B4222S | TPLC120C20MP12C | 21.0 | CF/CM64D | 1225 | 42.0 | 31.2 | 15.50 | 12.75 |
| TC4B4222S | TPLC120C20MP13C | 21.0 | CF/CM/CU42C | 1225 | 41.5 | 31.0 | 15.00 | 12.50 |
| TC4B4222S | TPLC120C20MP13C | 21.0 | CF/CM/CU48C | 1225 | 41.5 | 31.2 | 15.25 | 12.75 |
| TC4B4222S | TPLC120C20MP13C | 21.0 | CF/CM/CU48D | 1225 | 41.5 | 31.2 | 15.25 | 12.75 |
| TC4B4222S | TPLC120C20MP13C | 21.0 | CF/CM/CU60C | 1225 | 41.5 | 30.8 | 15.00 | 12.50 |
| TC4B4222S | TPLC120C20MP13C | 21.0 | CF/CM/CU60D | 1225 | 42.0 | 31.2 | 15.25 | 12.75 |
| TC4B4222S | TPLC120C20MP13C | 21.0 | CF/CM42D | 1325 | 42.0 | 32.4 | 15.25 | 12.75 |
| TC4B4222S | TPLC120C20MP13C | 21.0 | CF/CM64D | 1225 | 42.0 | 31.2 | 15.50 | 12.75 |
| TC4B4222S | YP9C080B12MP12C | 17.5 | CF/CM/CU42C | 1250 | 41.0 | 31.0 | 14.25 | 12.00 |
| TC4B4222S | YP9C080B12MP12C | 17.5 | CF/CM/CU48C | 1250 | 41.5 | 31.2 | 14.25 | 12.25 |
| TC4B4222S | YP9C080B12MP12C | 17.5 | CF/CM/CU60C | 1250 | 41.0 | 30.6 | 14.25 | 12.25 |
| TC4B4222S | YP9C080B12MP12C | 17.5 | CF42B | 1175 | 40.5 | 29.8 | 14.00 | 12.00 |
| TC4B4222S | YP9C080B12MP13C | 17.5 | CF/CM/CU42C | 1250 | 41.0 | 31.0 | 14.25 | 12.00 |
| TC4B4222S | YP9C080B12MP13C | 17.5 | CF/CM/CU48C | 1250 | 41.5 | 31.2 | 14.25 | 12.25 |
| TC4B4222S | YP9C080B12MP13C | 17.5 | CF/CM/CU60C | 1250 | 41.0 | 30.6 | 14.25 | 12.25 |
| TC4B4222S | YP9C080B12MP13C | 17.5 | CF42B | 1175 | 40.5 | 29.8 | 14.00 | 12.00 |
| TC4B4222S | YP9C080C16MP13C | 21.0 | CF/CM/CU42C | 1225 | 41.0 | 30.6 | 14.50 | 12.25 |
| TC4B4222S | YP9C080C16MP13C | 21.0 | CF/CM/CU48C | 1225 | 41.5 | 31.2 | 14.50 | 12.50 |
| TC4B4222S | YP9C080C16MP13C | 21.0 | CF/CM/CU48D | 1225 | 41.5 | 31.2 | 14.75 | 12.50 |

COOLING CAPACITY - With High Efficiency Motor Furnaces¹ (Continued)

| UNIT MODEL | FURNACE | | COIL MODEL ² | COOLING | | | | |
|---------------|-----------------|-------|----------------------------|--------------|---------|-------|-------|-------|
| | MODEL | WIDTH | | RATED CFM | NET MBH | | SEER | EER |
| | | | | | TOTAL | SENS. | | |
| TC4B4222S | YP9C080C16MP13C | 21.0 | CF/CM/CU60C | 1225 | 41.0 | 30.2 | 14.50 | 12.25 |
| TC4B4222S | YP9C080C16MP13C | 21.0 | CF/CM/CU60D | 1225 | 42.0 | 31.2 | 14.75 | 12.50 |
| TC4B4222S | YP9C080C16MP13C | 21.0 | CF/CM42D | 1225 | 41.0 | 30.6 | 14.75 | 12.50 |
| TC4B4222S | YP9C080C16MP13C | 21.0 | CF/CM64D | 1225 | 42.0 | 31.0 | 15.00 | 12.50 |
| TC4B4222S | YP9C100C16MP12C | 21.0 | CF/CM/CU42C | 1175 | 41.0 | 30.2 | 15.00 | 12.50 |
| TC4B4222S | YP9C100C16MP12C | 21.0 | CF/CM/CU48C | 1175 | 41.5 | 30.8 | 15.00 | 12.50 |
| TC4B4222S | YP9C100C16MP12C | 21.0 | CF/CM/CU48D | 1175 | 41.5 | 30.8 | 15.00 | 12.50 |
| TC4B4222S | YP9C100C16MP12C | 21.0 | CF/CM/CU60C | 1225 | 41.5 | 30.8 | 15.00 | 12.50 |
| TC4B4222S | YP9C100C16MP12C | 21.0 | CF/CM/CU60D | 1175 | 41.5 | 30.6 | 15.25 | 12.75 |
| TC4B4222S | YP9C100C16MP12C | 21.0 | CF/CM42D | 1175 | 41.0 | 30.2 | 15.00 | 12.50 |
| TC4B4222S | YP9C100C16MP12C | 21.0 | CF/CM64D | 1175 | 42.0 | 31.0 | 15.25 | 12.75 |
| TC4B4222S | YP9C100C16MP13C | 21.0 | CF/CM/CU42C | 1175 | 41.0 | 30.2 | 15.00 | 12.50 |
| TC4B4222S | YP9C100C16MP13C | 21.0 | CF/CM/CU48C | 1175 | 41.5 | 30.8 | 15.00 | 12.50 |
| TC4B4222S | YP9C100C16MP13C | 21.0 | CF/CM/CU48D | 1175 | 41.5 | 30.8 | 15.00 | 12.50 |
| TC4B4222S | YP9C100C16MP13C | 21.0 | CF/CM/CU60C | 1225 | 41.5 | 30.8 | 15.00 | 12.50 |
| TC4B4222S | YP9C100C16MP13C | 21.0 | CF/CM/CU60D | 1175 | 41.5 | 30.6 | 15.25 | 12.75 |
| TC4B4222S | YP9C100C16MP13C | 21.0 | CF/CM42D | 1175 | 41.0 | 30.2 | 15.00 | 12.50 |
| TC4B4222S | YP9C100C16MP13C | 21.0 | CF/CM64D | 1175 | 42.0 | 31.0 | 15.25 | 12.75 |
| TC4B4222S | YP9C100C20MP12C | 21.0 | CF/CM/CU42C | 1225 | 41.5 | 31.0 | 14.75 | 12.50 |
| TC4B4222S | YP9C100C20MP12C | 21.0 | CF/CM/CU48C | 1225 | 41.5 | 31.2 | 15.00 | 12.50 |
| TC4B4222S | YP9C100C20MP12C | 21.0 | CF/CM/CU48D | 1225 | 41.5 | 31.2 | 15.00 | 12.50 |
| TC4B4222S | YP9C100C20MP12C | 21.0 | CF/CM/CU60C | 1225 | 41.5 | 30.8 | 14.75 | 12.50 |
| TC4B4222S | YP9C100C20MP12C | 21.0 | CF/CM/CU60D | 1225 | 42.0 | 31.2 | 15.00 | 12.50 |
| TC4B4222S | YP9C100C20MP12C | 21.0 | CF/CM42D | 1225 | 41.5 | 31.0 | 15.00 | 12.50 |
| TC4B4222S | YP9C100C20MP12C | 21.0 | CF/CM64D | 1225 | 42.0 | 31.2 | 15.25 | 12.75 |
| TC4B4222S | YP9C100C20MP13C | 21.0 | CF/CM/CU42C | 1225 | 41.5 | 31.0 | 14.75 | 12.50 |
| TC4B4222S | YP9C100C20MP13C | 21.0 | CF/CM/CU48C | 1225 | 41.5 | 31.2 | 15.00 | 12.50 |
| TC4B4222S | YP9C100C20MP13C | 21.0 | CF/CM/CU48D | 1225 | 41.5 | 31.2 | 15.00 | 12.50 |
| TC4B4222S | YP9C100C20MP13C | 21.0 | CF/CM/CU60C | 1225 | 41.5 | 30.8 | 14.75 | 12.50 |
| TC4B4222S | YP9C100C20MP13C | 21.0 | CF/CM/CU60D | 1225 | 42.0 | 31.2 | 15.00 | 12.50 |
| TC4B4222S | YP9C100C20MP13C | 21.0 | CF/CM42D | 1225 | 41.5 | 31.0 | 15.00 | 12.50 |
| TC4B4222S | YP9C100C20MP13C | 21.0 | CF/CM64D | 1225 | 42.0 | 31.2 | 15.25 | 12.75 |
| TC4B4222S | YP9C120D20MP12C | 24.5 | CF/CM/CU48D | 1200 | 41.5 | 31.0 | 15.25 | 12.75 |
| TC4B4222S | YP9C120D20MP12C | 24.5 | CF/CM/CU60D | 1250 | 42.0 | 31.6 | 15.25 | 12.75 |
| TC4B4222S | YP9C120D20MP12C | 24.5 | CF/CM42D | 1200 | 41.5 | 30.8 | 15.25 | 12.75 |
| TC4B4222S | YP9C120D20MP12C | 24.5 | CF/CM64D | 1200 | 42.0 | 31.0 | 15.50 | 12.75 |
| TC4B4222S | YP9C120D20MP13C | 24.5 | CF/CM/CU48D | 1200 | 41.5 | 31.0 | 15.25 | 12.75 |
| TC4B4222S | YP9C120D20MP13C | 24.5 | CF/CM/CU60D | 1250 | 42.0 | 31.6 | 15.25 | 12.75 |
| TC4B4222S | YP9C120D20MP13C | 24.5 | CF/CM42D | 1200 | 41.5 | 30.8 | 15.25 | 12.75 |
| TC4B4222S | YP9C120D20MP13C | 24.5 | CF/CM64D | 1200 | 42.0 | 31.0 | 15.50 | 12.75 |
| TC4B4222S | YPLC060A12MP12C | 14.5 | CF42B | 1275 | 40.5 | 30.6 | 14.00 | 12.00 |
| TC4B4222S | YPLC060A12MP13C | 14.5 | CF42B | 1275 | 40.5 | 30.6 | 14.00 | 12.00 |
| TC4B4222S | YPLC080C16MP12C | 21.0 | CF/CM/CU42C | 1200 | 41.0 | 30.2 | 14.75 | 12.50 |
| TC4B4222S | YPLC080C16MP12C | 21.0 | CF/CM/CU48C | 1200 | 41.5 | 31.0 | 15.00 | 12.50 |
| TC4B4222S | YPLC080C16MP12C | 21.0 | CF/CM/CU48D | 1200 | 41.5 | 31.0 | 15.00 | 12.50 |
| TC4B4222S | YPLC080C16MP12C | 21.0 | CF/CM/CU60C | 1200 | 41.5 | 30.4 | 14.75 | 12.50 |
| TC4B4222S | YPLC080C16MP12C | 21.0 | CF/CM/CU60D | 1200 | 41.5 | 30.8 | 15.00 | 12.50 |
| TC4B4222S | YPLC080C16MP12C | 21.0 | CF/CM42D | 1200 | 41.0 | 30.4 | 15.00 | 12.50 |
| TC4B4222S | YPLC080C16MP12C | 21.0 | CF/CM64D | 1200 | 42.0 | 30.8 | 15.25 | 12.75 |
| TC4B4222S | YPLC080C16MP13C | 21.0 | CF/CM/CU42C | 1200 | 41.0 | 30.2 | 14.75 | 12.50 |
| TC4B4222S | YPLC080C16MP13C | 21.0 | CF/CM/CU48C | 1200 | 41.5 | 31.0 | 15.00 | 12.50 |
| TC4B4222S | YPLC080C16MP13C | 21.0 | CF/CM/CU48D | 1200 | 41.5 | 31.0 | 15.00 | 12.50 |
| TC4B4222S | YPLC080C16MP13C | 21.0 | CF/CM/CU60C | 1200 | 41.5 | 30.4 | 14.75 | 12.50 |

COOLING CAPACITY - With High Efficiency Motor Furnaces¹ (Continued)

| UNIT MODEL | FURNACE | | COIL MODEL ² | COOLING | | | | |
|---------------|-----------------|-------|----------------------------|--------------|---------|-------|-------|-------|
| | MODEL | WIDTH | | RATED CFM | NET MBH | | SEER | EER |
| | | | | | TOTAL | SENS. | | |
| TC4B4222S | YPLC080C16MP13C | 21.0 | CF/CM/CU60D | 1200 | 41.5 | 30.8 | 15.00 | 12.50 |
| TC4B4222S | YPLC080C16MP13C | 21.0 | CF/CM42D | 1200 | 41.0 | 30.4 | 15.00 | 12.50 |
| TC4B4222S | YPLC080C16MP13C | 21.0 | CF/CM64D | 1200 | 42.0 | 30.8 | 15.25 | 12.75 |
| TC4B4222S | YPLC100C16MP12C | 21.0 | CF/CM/CU42C | 1200 | 41.0 | 30.2 | 14.75 | 12.50 |
| TC4B4222S | YPLC100C16MP12C | 21.0 | CF/CM/CU48C | 1200 | 41.5 | 31.0 | 15.00 | 12.50 |
| TC4B4222S | YPLC100C16MP12C | 21.0 | CF/CM/CU48D | 1200 | 41.5 | 31.0 | 15.00 | 12.50 |
| TC4B4222S | YPLC100C16MP12C | 21.0 | CF/CM/CU60C | 1200 | 41.5 | 30.4 | 14.75 | 12.50 |
| TC4B4222S | YPLC100C16MP12C | 21.0 | CF/CM/CU60D | 1200 | 41.5 | 30.8 | 15.00 | 12.50 |
| TC4B4222S | YPLC100C16MP12C | 21.0 | CF/CM42D | 1200 | 41.0 | 30.4 | 15.00 | 12.50 |
| TC4B4222S | YPLC100C16MP12C | 21.0 | CF/CM64D | 1200 | 42.0 | 30.8 | 15.25 | 12.75 |
| TC4B4222S | YPLC100C16MP13C | 21.0 | CF/CM/CU42C | 1200 | 41.0 | 30.2 | 14.75 | 12.50 |
| TC4B4222S | YPLC100C16MP13C | 21.0 | CF/CM/CU48C | 1200 | 41.5 | 31.0 | 15.00 | 12.50 |
| TC4B4222S | YPLC100C16MP13C | 21.0 | CF/CM/CU48D | 1200 | 41.5 | 31.0 | 15.00 | 12.50 |
| TC4B4222S | YPLC100C16MP13C | 21.0 | CF/CM/CU60C | 1200 | 41.5 | 30.4 | 14.75 | 12.50 |
| TC4B4222S | YPLC100C16MP13C | 21.0 | CF/CM/CU60D | 1200 | 41.5 | 30.8 | 15.00 | 12.50 |
| TC4B4222S | YPLC100C16MP13C | 21.0 | CF/CM42D | 1200 | 41.0 | 30.4 | 15.00 | 12.50 |
| TC4B4222S | YPLC100C16MP13C | 21.0 | CF/CM64D | 1200 | 42.0 | 30.8 | 15.25 | 12.75 |
| TC4B4222S | YPLC100C20MP12C | 21.0 | CF/CM/CU42C | 1225 | 41.5 | 31.0 | 15.00 | 12.50 |
| TC4B4222S | YPLC100C20MP12C | 21.0 | CF/CM/CU48C | 1225 | 41.5 | 31.2 | 15.25 | 12.75 |
| TC4B4222S | YPLC100C20MP12C | 21.0 | CF/CM/CU48D | 1225 | 41.5 | 31.2 | 15.25 | 12.75 |
| TC4B4222S | YPLC100C20MP12C | 21.0 | CF/CM/CU60C | 1225 | 41.5 | 30.8 | 15.00 | 12.50 |
| TC4B4222S | YPLC100C20MP12C | 21.0 | CF/CM/CU60D | 1225 | 42.0 | 31.2 | 15.25 | 12.75 |
| TC4B4222S | YPLC100C20MP12C | 21.0 | CF/CM42D | 1325 | 42.0 | 32.4 | 15.25 | 12.75 |
| TC4B4222S | YPLC100C20MP12C | 21.0 | CF/CM64D | 1225 | 42.0 | 31.2 | 15.50 | 12.75 |
| TC4B4222S | YPLC100C20MP13C | 21.0 | CF/CM/CU42C | 1225 | 41.5 | 31.0 | 15.00 | 12.50 |
| TC4B4222S | YPLC100C20MP13C | 21.0 | CF/CM/CU48C | 1225 | 41.5 | 31.2 | 15.25 | 12.75 |
| TC4B4222S | YPLC100C20MP13C | 21.0 | CF/CM/CU48D | 1225 | 41.5 | 31.2 | 15.25 | 12.75 |
| TC4B4222S | YPLC100C20MP13C | 21.0 | CF/CM/CU60C | 1225 | 41.5 | 30.8 | 15.00 | 12.50 |
| TC4B4222S | YPLC100C20MP13C | 21.0 | CF/CM/CU60D | 1225 | 42.0 | 31.2 | 15.25 | 12.75 |
| TC4B4222S | YPLC100C20MP13C | 21.0 | CF/CM42D | 1325 | 42.0 | 32.4 | 15.25 | 12.75 |
| TC4B4222S | YPLC100C20MP13C | 21.0 | CF/CM64D | 1225 | 42.0 | 31.2 | 15.50 | 12.75 |
| TC4B4222S | YPLC120C20MP12C | 21.0 | CF/CM/CU42C | 1225 | 41.5 | 31.0 | 15.00 | 12.50 |
| TC4B4222S | YPLC120C20MP12C | 21.0 | CF/CM/CU48C | 1225 | 41.5 | 31.2 | 15.25 | 12.75 |
| TC4B4222S | YPLC120C20MP12C | 21.0 | CF/CM/CU48D | 1225 | 41.5 | 31.2 | 15.25 | 12.75 |
| TC4B4222S | YPLC120C20MP12C | 21.0 | CF/CM/CU60C | 1225 | 41.5 | 30.8 | 15.00 | 12.50 |
| TC4B4222S | YPLC120C20MP12C | 21.0 | CF/CM/CU60D | 1225 | 42.0 | 31.2 | 15.25 | 12.75 |
| TC4B4222S | YPLC120C20MP12C | 21.0 | CF/CM42D | 1325 | 42.0 | 32.4 | 15.25 | 12.75 |
| TC4B4222S | YPLC120C20MP12C | 21.0 | CF/CM64D | 1225 | 42.0 | 31.2 | 15.50 | 12.75 |
| TC4B4222S | YPLC120C20MP13C | 21.0 | CF/CM/CU42C | 1225 | 41.5 | 31.0 | 15.00 | 12.50 |
| TC4B4222S | YPLC120C20MP13C | 21.0 | CF/CM/CU48C | 1225 | 41.5 | 31.2 | 15.25 | 12.75 |
| TC4B4222S | YPLC120C20MP13C | 21.0 | CF/CM/CU48D | 1225 | 41.5 | 31.2 | 15.25 | 12.75 |
| TC4B4222S | YPLC120C20MP13C | 21.0 | CF/CM/CU60C | 1225 | 41.5 | 30.8 | 15.00 | 12.50 |
| TC4B4222S | YPLC120C20MP13C | 21.0 | CF/CM/CU60D | 1225 | 42.0 | 31.2 | 15.25 | 12.75 |
| TC4B4222S | YPLC120C20MP13C | 21.0 | CF/CM42D | 1325 | 42.0 | 32.4 | 15.25 | 12.75 |
| TC4B4222S | YPLC120C20MP13C | 21.0 | CF/CM64D | 1225 | 42.0 | 31.2 | 15.50 | 12.75 |
| TC4B4821S | TL8E080C16UH11 | 21.0 | CF/CM/CU48C | 1400 | 48.0 | 35.0 | 15.00 | 12.50 |
| TC4B4821S | TL8E080C16UH11 | 21.0 | CF/CM/CU48D | 1400 | 48.0 | 35.0 | 15.00 | 12.25 |
| TC4B4821S | TL8E080C16UH11 | 21.0 | CF/CM/CU60C | 1375 | 48.0 | 35.0 | 14.75 | 12.25 |
| TC4B4821S | TL8E080C16UH11 | 21.0 | CF/CM64D | 1400 | 48.0 | 35.0 | 15.25 | 12.50 |
| TC4B4821S | TL8E100C20UH11 | 21.0 | CF/CM/CU48C | 1400 | 48.0 | 35.0 | 15.25 | 12.50 |
| TC4B4821S | TL8E100C20UH11 | 21.0 | CF/CM/CU48D | 1425 | 48.0 | 35.2 | 15.25 | 12.50 |
| TC4B4821S | TL8E100C20UH11 | 21.0 | CF/CM/CU60C | 1400 | 48.0 | 35.0 | 15.25 | 12.50 |
| TC4B4821S | TL8E100C20UH11 | 21.0 | CF/CM64D | 1400 | 48.0 | 35.2 | 15.50 | 12.75 |

COOLING CAPACITY - With High Efficiency Motor Furnaces¹ (Continued)

| UNIT MODEL | FURNACE | | COIL MODEL ² | COOLING | | | | |
|---------------|-----------------|-------|----------------------------|--------------|---------|-------|-------|-------|
| | MODEL | WIDTH | | RATED CFM | NET MBH | | SEER | EER |
| | | | | | TOTAL | SENS. | | |
| TC4B4821S | TL9E080C16UH11 | 21.0 | CF/CM/CU48C | 1400 | 48.0 | 35.0 | 14.75 | 12.25 |
| TC4B4821S | TL9E080C16UH11 | 21.0 | CF/CM/CU48D | 1400 | 48.0 | 35.0 | 14.75 | 12.25 |
| TC4B4821S | TL9E080C16UH11 | 21.0 | CF/CM/CU60C | 1400 | 48.0 | 35.0 | 14.50 | 12.25 |
| TC4B4821S | TL9E080C16UH11 | 21.0 | CF/CM64D | 1400 | 48.0 | 35.2 | 15.00 | 12.50 |
| TC4B4821S | TL9E100C20UH11 | 21.0 | CF/CM/CU48C | 1400 | 48.0 | 35.0 | 15.25 | 12.50 |
| TC4B4821S | TL9E100C20UH11 | 21.0 | CF/CM/CU48D | 1425 | 48.0 | 35.2 | 15.25 | 12.50 |
| TC4B4821S | TL9E100C20UH11 | 21.0 | CF/CM/CU60C | 1400 | 48.0 | 35.0 | 15.00 | 12.50 |
| TC4B4821S | TL9E100C20UH11 | 21.0 | CF/CM64D | 1400 | 48.0 | 35.2 | 15.50 | 12.75 |
| TC4B4821S | TM8E080B12MP11 | 17.5 | CF/CM/CU48C | 1325 | 48.0 | 34.6 | 14.25 | 12.00 |
| TC4B4821S | TM8E080C16MP11 | 21.0 | CF/CM/CU48C | 1575 | 47.5 | 34.8 | 14.00 | 11.75 |
| TC4B4821S | TM8E080C16MP11 | 21.0 | CF/CM/CU48D | 1600 | 48.0 | 35.4 | 14.00 | 11.75 |
| TC4B4821S | TM8E080C16MP11 | 21.0 | CF/CM/CU60C | 1575 | 48.0 | 36.4 | 14.50 | 12.25 |
| TC4B4821S | TM8E080C16MP11 | 21.0 | CF/CM64D | 1575 | 48.0 | 36.6 | 14.75 | 12.25 |
| TC4B4821S | TM8E080C20MP11 | 21.0 | CF/CM/CU48C | 1450 | 48.0 | 35.6 | 15.25 | 12.50 |
| TC4B4821S | TM8E080C20MP11 | 21.0 | CF/CM/CU48D | 1475 | 48.0 | 35.4 | 15.25 | 12.50 |
| TC4B4821S | TM8E080C20MP11 | 21.0 | CF/CM/CU60C | 1450 | 48.0 | 35.4 | 15.25 | 12.50 |
| TC4B4821S | TM8E080C20MP11 | 21.0 | CF/CM64D | 1450 | 48.0 | 35.6 | 15.50 | 12.75 |
| TC4B4821S | TM8E100C16MP11 | 21.0 | CF/CM/CU48C | 1300 | 48.0 | 33.8 | 15.25 | 12.50 |
| TC4B4821S | TM8E100C16MP11 | 21.0 | CF/CM/CU48D | 1300 | 48.0 | 33.8 | 15.25 | 12.50 |
| TC4B4821S | TM8E100C16MP11 | 21.0 | CF/CM/CU60C | 1575 | 48.0 | 36.4 | 14.50 | 12.25 |
| TC4B4821S | TM8E100C16MP11 | 21.0 | CF/CM64D | 1300 | 48.0 | 34.2 | 15.50 | 12.75 |
| TC4B4821S | TM8E100C20MP11 | 21.0 | CF/CM/CU48C | 1425 | 48.0 | 35.2 | 15.25 | 12.50 |
| TC4B4821S | TM8E100C20MP11 | 21.0 | CF/CM/CU48D | 1450 | 48.0 | 35.6 | 15.25 | 12.50 |
| TC4B4821S | TM8E100C20MP11 | 21.0 | CF/CM/CU60C | 1425 | 48.0 | 35.0 | 15.00 | 12.50 |
| TC4B4821S | TM8E100C20MP11 | 21.0 | CF/CM64D | 1425 | 48.0 | 35.2 | 15.50 | 12.75 |
| TC4B4821S | TM8E120C16MP11 | 21.0 | CF/CM/CU48C | 1300 | 48.0 | 33.8 | 15.25 | 12.50 |
| TC4B4821S | TM8E120C16MP11 | 21.0 | CF/CM/CU48D | 1300 | 48.0 | 33.8 | 15.25 | 12.50 |
| TC4B4821S | TM8E120C16MP11 | 21.0 | CF/CM/CU60C | 1300 | 48.0 | 34.0 | 15.25 | 12.50 |
| TC4B4821S | TM8E120C16MP11 | 21.0 | CF/CM64D | 1300 | 48.0 | 34.2 | 15.50 | 12.75 |
| TC4B4821S | TM8E120C20MP11 | 21.0 | CF/CM/CU48C | 1425 | 48.0 | 35.2 | 15.25 | 12.50 |
| TC4B4821S | TM8E120C20MP11 | 21.0 | CF/CM/CU48D | 1450 | 48.0 | 35.4 | 15.25 | 12.50 |
| TC4B4821S | TM8E120C20MP11 | 21.0 | CF/CM/CU60C | 1425 | 48.0 | 35.0 | 15.25 | 12.50 |
| TC4B4821S | TM8E120C20MP11 | 21.0 | CF/CM64D | 1425 | 48.0 | 35.2 | 15.50 | 12.75 |
| TC4B4821S | TM8E130D20MP11 | 24.5 | CF/CM/CU48D | 1425 | 48.0 | 35.2 | 15.50 | 12.75 |
| TC4B4821S | TM8E130D20MP11 | 24.5 | CF/CM64D | 1425 | 48.0 | 35.2 | 15.75 | 13.00 |
| TC4B4821S | TM8V080C16MP11C | 21.0 | CF/CM/CU48C | 1425 | 47.0 | 34.4 | 15.00 | 12.50 |
| TC4B4821S | TM8V080C16MP11C | 21.0 | CF/CM/CU48D | 1425 | 48.0 | 35.2 | 15.00 | 12.50 |
| TC4B4821S | TM8V080C16MP11C | 21.0 | CF/CM/CU60C | 1425 | 47.0 | 34.8 | 15.00 | 12.50 |
| TC4B4821S | TM8V080C16MP11C | 21.0 | CF/CM/CU60D | 1425 | 47.0 | 34.8 | 15.25 | 12.75 |
| TC4B4821S | TM8V080C16MP11C | 21.0 | CF/CM64D | 1425 | 48.0 | 35.4 | 15.25 | 12.75 |
| TC4B4821S | TM8V080C16MP12C | 21.0 | CF/CM/CU48C | 1425 | 47.0 | 34.4 | 15.00 | 12.50 |
| TC4B4821S | TM8V080C16MP12C | 21.0 | CF/CM/CU48D | 1425 | 48.0 | 35.2 | 15.00 | 12.50 |
| TC4B4821S | TM8V080C16MP12C | 21.0 | CF/CM/CU60C | 1425 | 47.0 | 34.8 | 15.00 | 12.50 |
| TC4B4821S | TM8V080C16MP12C | 21.0 | CF/CM/CU60D | 1425 | 47.0 | 34.8 | 15.25 | 12.75 |
| TC4B4821S | TM8V080C16MP12C | 21.0 | CF/CM64D | 1425 | 48.0 | 35.4 | 15.25 | 12.75 |
| TC4B4821S | TM8V100C16MP11C | 21.0 | CF/CM/CU48C | 1325 | 47.0 | 32.8 | 15.00 | 12.50 |
| TC4B4821S | TM8V100C16MP11C | 21.0 | CF/CM/CU48D | 1300 | 48.0 | 33.4 | 15.25 | 12.50 |
| TC4B4821S | TM8V100C16MP11C | 21.0 | CF/CM/CU60C | 1325 | 47.0 | 33.0 | 15.50 | 12.75 |
| TC4B4821S | TM8V100C16MP11C | 21.0 | CF/CM/CU60D | 1325 | 47.0 | 33.0 | 15.50 | 12.75 |
| TC4B4821S | TM8V100C16MP11C | 21.0 | CF/CM64D | 1400 | 48.0 | 34.4 | 15.50 | 12.75 |
| TC4B4821S | TM8V100C16MP12C | 21.0 | CF/CM/CU48C | 1425 | 47.0 | 34.4 | 15.00 | 12.50 |
| TC4B4821S | TM8V100C16MP12C | 21.0 | CF/CM/CU48D | 1425 | 48.0 | 35.2 | 15.00 | 12.50 |
| TC4B4821S | TM8V100C16MP12C | 21.0 | CF/CM/CU60C | 1425 | 47.0 | 34.8 | 15.00 | 12.50 |
| TC4B4821S | TM8V100C16MP12C | 21.0 | CF/CM/CU60D | 1425 | 47.0 | 34.8 | 15.25 | 12.75 |
| TC4B4821S | TM8V100C16MP12C | 21.0 | CF/CM64D | 1400 | 48.0 | 34.4 | 15.50 | 12.75 |
| TC4B4821S | TM8V100C16MP12C | 21.0 | CF/CM/CU48C | 1425 | 47.0 | 34.4 | 15.00 | 12.50 |
| TC4B4821S | TM8V100C16MP12C | 21.0 | CF/CM/CU48D | 1425 | 48.0 | 35.2 | 15.00 | 12.50 |
| TC4B4821S | TM8V100C16MP12C | 21.0 | CF/CM/CU60C | 1425 | 47.0 | 34.8 | 15.00 | 12.50 |

COOLING CAPACITY - With High Efficiency Motor Furnaces¹ (Continued)

| UNIT MODEL | FURNACE | | COIL MODEL ² | COOLING | | | | |
|---------------|-----------------|-------|----------------------------|--------------|---------|-------|-------|-------|
| | MODEL | WIDTH | | RATED CFM | NET MBH | | SEER | EER |
| | | | | | TOTAL | SENS. | | |
| TC4B4821S | TM8V100C16MP12C | 21.0 | CF/CM/CU60D | 1425 | 47.0 | 34.8 | 15.25 | 12.75 |
| TC4B4821S | TM8V100C16MP12C | 21.0 | CF/CM64D | 1425 | 48.0 | 35.4 | 15.25 | 12.75 |
| TC4B4821S | TM8V100C20MP11C | 21.0 | CF/CM/CU48C | 1425 | 47.0 | 35.8 | 15.00 | 12.50 |
| TC4B4821S | TM8V100C20MP11C | 21.0 | CF/CM/CU48D | 1375 | 48.0 | 36.6 | 15.50 | 12.75 |
| TC4B4821S | TM8V100C20MP11C | 21.0 | CF/CM/CU60C | 1375 | 47.5 | 36.4 | 15.25 | 12.75 |
| TC4B4821S | TM8V100C20MP11C | 21.0 | CF/CM/CU60D | 1475 | 48.0 | 37.2 | 15.00 | 12.50 |
| TC4B4821S | TM8V100C20MP11C | 21.0 | CF/CM64D | 1425 | 47.5 | 36.6 | 15.25 | 12.50 |
| TC4B4821S | TM8V100C20MP12C | 21.0 | CF/CM/CU48C | 1425 | 47.0 | 35.8 | 15.00 | 12.50 |
| TC4B4821S | TM8V100C20MP12C | 21.0 | CF/CM/CU48D | 1375 | 48.0 | 36.6 | 15.50 | 12.75 |
| TC4B4821S | TM8V100C20MP12C | 21.0 | CF/CM/CU60C | 1375 | 47.5 | 36.4 | 15.25 | 12.75 |
| TC4B4821S | TM8V100C20MP12C | 21.0 | CF/CM/CU60D | 1475 | 48.0 | 37.2 | 15.00 | 12.50 |
| TC4B4821S | TM8V100C20MP12C | 21.0 | CF/CM64D | 1425 | 47.5 | 36.6 | 15.25 | 12.50 |
| TC4B4821S | TM8V120C20MP11C | 21.0 | CF/CM/CU48C | 1300 | 47.0 | 32.8 | 15.00 | 12.50 |
| TC4B4821S | TM8V120C20MP11C | 21.0 | CF/CM/CU48D | 1650 | 48.0 | 35.2 | 15.50 | 12.75 |
| TC4B4821S | TM8V120C20MP11C | 21.0 | CF/CM/CU60C | 1400 | 47.5 | 34.0 | 15.25 | 12.75 |
| TC4B4821S | TM8V120C20MP11C | 21.0 | CF/CM/CU60D | 1350 | 47.0 | 33.2 | 15.00 | 12.50 |
| TC4B4821S | TM8V120C20MP11C | 21.0 | CF/CM64D | 1425 | 47.5 | 34.4 | 15.25 | 12.50 |
| TC4B4821S | TM8V120C20MP12C | 21.0 | CF/CM/CU48C | 1425 | 47.0 | 35.8 | 15.00 | 12.50 |
| TC4B4821S | TM8V120C20MP12C | 21.0 | CF/CM/CU48D | 1375 | 48.0 | 36.6 | 15.50 | 12.75 |
| TC4B4821S | TM8V120C20MP12C | 21.0 | CF/CM/CU60C | 1375 | 47.5 | 36.4 | 15.25 | 12.75 |
| TC4B4821S | TM8V120C20MP12C | 21.0 | CF/CM/CU60D | 1475 | 48.0 | 37.2 | 15.00 | 12.50 |
| TC4B4821S | TM8V120C20MP12C | 21.0 | CF/CM64D | 1425 | 47.5 | 36.6 | 15.25 | 12.50 |
| TC4B4821S | TM8X080C16MP11 | 21.0 | CF/CM/CU48C | 1350 | 47.5 | 34.4 | 15.00 | 12.25 |
| TC4B4821S | TM8X080C16MP11 | 21.0 | CF/CM/CU48D | 1375 | 47.5 | 33.8 | 15.00 | 12.50 |
| TC4B4821S | TM8X080C16MP11 | 21.0 | CF/CM/CU60C | 1350 | 47.5 | 34.0 | 15.00 | 12.50 |
| TC4B4821S | TM8X080C16MP11 | 21.0 | CF/CM/CU60D | 1375 | 47.5 | 34.2 | 15.25 | 12.50 |
| TC4B4821S | TM8X080C16MP11 | 21.0 | CF/CM64D | 1350 | 47.5 | 34.2 | 15.25 | 12.75 |
| TC4B4821S | TM8X100C16MP11 | 21.0 | CF/CM/CU48C | 1350 | 47.5 | 34.4 | 15.00 | 12.25 |
| TC4B4821S | TM8X100C16MP11 | 21.0 | CF/CM/CU48D | 1375 | 47.5 | 33.8 | 15.00 | 12.50 |
| TC4B4821S | TM8X100C16MP11 | 21.0 | CF/CM/CU60C | 1350 | 47.5 | 34.0 | 15.00 | 12.50 |
| TC4B4821S | TM8X100C16MP11 | 21.0 | CF/CM/CU60D | 1375 | 47.5 | 34.2 | 15.25 | 12.50 |
| TC4B4821S | TM8X100C16MP11 | 21.0 | CF/CM64D | 1350 | 47.5 | 34.2 | 15.25 | 12.75 |
| TC4B4821S | TM8X100C20MP11 | 21.0 | CF/CM/CU48C | 1375 | 47.0 | 33.6 | 15.25 | 12.50 |
| TC4B4821S | TM8X100C20MP11 | 21.0 | CF/CM/CU48D | 1400 | 47.0 | 33.0 | 15.50 | 12.75 |
| TC4B4821S | TM8X100C20MP11 | 21.0 | CF/CM/CU60C | 1375 | 47.5 | 35.0 | 15.50 | 12.75 |
| TC4B4821S | TM8X100C20MP11 | 21.0 | CF/CM/CU60D | 1400 | 48.0 | 35.2 | 15.50 | 12.75 |
| TC4B4821S | TM8X100C20MP11 | 21.0 | CF/CM64D | 1375 | 47.5 | 34.4 | 15.75 | 12.75 |
| TC4B4821S | TM8X120C20MP11 | 21.0 | CF/CM/CU48C | 1375 | 47.0 | 33.6 | 15.25 | 12.50 |
| TC4B4821S | TM8X120C20MP11 | 21.0 | CF/CM/CU48D | 1400 | 47.0 | 33.0 | 15.50 | 12.75 |
| TC4B4821S | TM8X120C20MP11 | 21.0 | CF/CM/CU60C | 1375 | 47.5 | 35.0 | 15.50 | 12.75 |
| TC4B4821S | TM8X120C20MP11 | 21.0 | CF/CM/CU60D | 1400 | 48.0 | 35.2 | 15.50 | 12.75 |
| TC4B4821S | TM8X120C20MP11 | 21.0 | CF/CM64D | 1375 | 47.5 | 34.4 | 15.75 | 12.75 |
| TC4B4821S | TM8Y080C16MP11 | 21.0 | CF/CM/CU48C | 1350 | 47.5 | 34.4 | 15.00 | 12.25 |
| TC4B4821S | TM8Y080C16MP11 | 21.0 | CF/CM/CU48D | 1375 | 47.5 | 33.8 | 15.00 | 12.50 |
| TC4B4821S | TM8Y080C16MP11 | 21.0 | CF/CM/CU60C | 1350 | 47.5 | 34.0 | 15.00 | 12.50 |
| TC4B4821S | TM8Y080C16MP11 | 21.0 | CF/CM/CU60D | 1375 | 47.5 | 34.2 | 15.25 | 12.50 |
| TC4B4821S | TM8Y080C16MP11 | 21.0 | CF/CM64D | 1350 | 47.5 | 34.2 | 15.25 | 12.75 |
| TC4B4821S | TM8Y100C16MP11 | 21.0 | CF/CM/CU48C | 1350 | 47.5 | 34.4 | 15.00 | 12.25 |
| TC4B4821S | TM8Y100C16MP11 | 21.0 | CF/CM/CU48D | 1375 | 47.5 | 33.8 | 15.00 | 12.50 |
| TC4B4821S | TM8Y100C16MP11 | 21.0 | CF/CM/CU60C | 1350 | 47.5 | 34.0 | 15.00 | 12.50 |
| TC4B4821S | TM8Y100C16MP11 | 21.0 | CF/CM/CU60D | 1375 | 47.5 | 34.2 | 15.25 | 12.50 |
| TC4B4821S | TM8Y100C16MP11 | 21.0 | CF/CM64D | 1350 | 47.5 | 34.2 | 15.25 | 12.75 |
| TC4B4821S | TM8Y100C20MP11 | 21.0 | CF/CM/CU48C | 1375 | 47.0 | 33.6 | 15.25 | 12.50 |

COOLING CAPACITY - With High Efficiency Motor Furnaces¹ (Continued)

| UNIT MODEL | FURNACE | | COIL MODEL ² | COOLING | | | | |
|---------------|-----------------|-------|----------------------------|--------------|---------|-------|-------|-------|
| | MODEL | WIDTH | | RATED CFM | NET MBH | | SEER | EER |
| | | | | | TOTAL | SENS. | | |
| TC4B4821S | TM8Y100C20MP11 | 21.0 | CF/CM/CU48D | 1400 | 47.0 | 33.0 | 15.50 | 12.75 |
| TC4B4821S | TM8Y100C20MP11 | 21.0 | CF/CM/CU60C | 1375 | 47.5 | 35.0 | 15.50 | 12.75 |
| TC4B4821S | TM8Y100C20MP11 | 21.0 | CF/CM/CU60D | 1400 | 48.0 | 35.2 | 15.50 | 12.75 |
| TC4B4821S | TM8Y100C20MP11 | 21.0 | CF/CM64D | 1375 | 47.5 | 34.4 | 15.75 | 12.75 |
| TC4B4821S | TM8Y120C20MP11 | 21.0 | CF/CM/CU48C | 1375 | 47.0 | 33.6 | 15.25 | 12.50 |
| TC4B4821S | TM8Y120C20MP11 | 21.0 | CF/CM/CU48D | 1400 | 47.0 | 33.0 | 15.50 | 12.75 |
| TC4B4821S | TM8Y120C20MP11 | 21.0 | CF/CM/CU60C | 1375 | 47.5 | 35.0 | 15.50 | 12.75 |
| TC4B4821S | TM8Y120C20MP11 | 21.0 | CF/CM/CU60D | 1400 | 48.0 | 35.2 | 15.50 | 12.75 |
| TC4B4821S | TM8Y120C20MP11 | 21.0 | CF/CM64D | 1375 | 47.5 | 34.4 | 15.75 | 12.75 |
| TC4B4821S | TM9E080B12MP12 | 17.5 | CF/CM/CU48C | 1325 | 48.0 | 34.6 | 14.25 | 12.00 |
| TC4B4821S | TM9E080B12MP12 | 17.5 | CF/CM/CU60C | 1325 | 47.5 | 34.0 | 14.25 | 11.75 |
| TC4B4821S | TM9E080C16MP11 | 21.0 | CF/CM/CU48C | 1325 | 46.5 | 32.6 | 14.75 | 12.25 |
| TC4B4821S | TM9E080C16MP11 | 21.0 | CF/CM/CU48D | 1350 | 46.5 | 32.6 | 14.75 | 12.25 |
| TC4B4821S | TM9E080C16MP11 | 21.0 | CF/CM/CU60C | 1325 | 47.5 | 33.4 | 15.00 | 12.50 |
| TC4B4821S | TM9E080C16MP11 | 21.0 | CF/CM/CU60D | 1325 | 47.0 | 33.2 | 15.00 | 12.50 |
| TC4B4821S | TM9E080C16MP11 | 21.0 | CF/CM64D | 1350 | 47.0 | 32.6 | 15.25 | 12.50 |
| TC4B4821S | TM9E080C20MP12 | 21.0 | CF/CM/CU48C | 1400 | 48.0 | 35.0 | 15.25 | 12.50 |
| TC4B4821S | TM9E080C20MP12 | 21.0 | CF/CM/CU48D | 1425 | 48.0 | 35.2 | 15.25 | 12.50 |
| TC4B4821S | TM9E080C20MP12 | 21.0 | CF/CM/CU60C | 1400 | 48.0 | 35.0 | 15.00 | 12.50 |
| TC4B4821S | TM9E080C20MP12 | 21.0 | CF/CM64D | 1400 | 48.0 | 35.2 | 15.50 | 12.75 |
| TC4B4821S | TM9E100C16MP11 | 21.0 | CF/CM/CU48C | 1400 | 46.5 | 32.6 | 14.75 | 12.25 |
| TC4B4821S | TM9E100C16MP11 | 21.0 | CF/CM/CU48D | 1400 | 46.5 | 32.6 | 14.75 | 12.25 |
| TC4B4821S | TM9E100C16MP11 | 21.0 | CF/CM/CU60C | 1400 | 47.5 | 33.4 | 15.00 | 12.50 |
| TC4B4821S | TM9E100C16MP11 | 21.0 | CF/CM/CU60D | 1425 | 47.0 | 33.2 | 15.00 | 12.50 |
| TC4B4821S | TM9E100C16MP11 | 21.0 | CF/CM64D | 1400 | 47.0 | 32.6 | 15.25 | 12.50 |
| TC4B4821S | TM9E100C20MP11 | 21.0 | CF/CM/CU48C | 1350 | 47.0 | 34.2 | 15.00 | 12.50 |
| TC4B4821S | TM9E100C20MP11 | 21.0 | CF/CM/CU48D | 1350 | 47.5 | 34.0 | 15.00 | 12.50 |
| TC4B4821S | TM9E100C20MP11 | 21.0 | CF/CM/CU60C | 1325 | 47.5 | 34.0 | 15.00 | 12.50 |
| TC4B4821S | TM9E100C20MP11 | 21.0 | CF/CM/CU60D | 1350 | 47.5 | 35.0 | 15.25 | 12.75 |
| TC4B4821S | TM9E100C20MP11 | 21.0 | CF/CM64D | 1350 | 47.5 | 34.2 | 15.25 | 12.75 |
| TC4B4821S | TM9E100C20MP12 | 21.0 | CF/CM/CU48C | 1400 | 48.0 | 35.0 | 15.25 | 12.50 |
| TC4B4821S | TM9E100C20MP12 | 21.0 | CF/CM/CU48D | 1425 | 48.0 | 35.2 | 15.25 | 12.50 |
| TC4B4821S | TM9E100C20MP12 | 21.0 | CF/CM/CU60C | 1400 | 48.0 | 35.0 | 15.25 | 12.50 |
| TC4B4821S | TM9E100C20MP12 | 21.0 | CF/CM64D | 1400 | 48.0 | 35.2 | 15.50 | 12.75 |
| TC4B4821S | TM9E120D20MP11 | 24.5 | CF/CM/CU48D | 1400 | 47.0 | 33.6 | 15.25 | 12.50 |
| TC4B4821S | TM9E120D20MP11 | 24.5 | CF/CM/CU60D | 1400 | 47.0 | 34.0 | 15.50 | 12.75 |
| TC4B4821S | TM9E120D20MP11 | 24.5 | CF/CM64D | 1575 | 48.0 | 34.6 | 15.50 | 12.75 |
| TC4B4821S | TM9E120D20MP12 | 24.5 | CF/CM/CU48D | 1450 | 48.0 | 35.6 | 15.25 | 12.50 |
| TC4B4821S | TM9E120D20MP12 | 24.5 | CF/CM64D | 1450 | 48.0 | 35.6 | 15.50 | 12.75 |
| TC4B4821S | TM9V080C16MP11C | 21.0 | CF/CM/CU48C | 1300 | 47.0 | 33.2 | 15.25 | 12.50 |
| TC4B4821S | TM9V080C16MP11C | 21.0 | CF/CM/CU48D | 1300 | 47.0 | 33.0 | 15.25 | 12.75 |
| TC4B4821S | TM9V080C16MP11C | 21.0 | CF/CM/CU60C | 1300 | 47.0 | 33.2 | 15.00 | 12.50 |
| TC4B4821S | TM9V080C16MP11C | 21.0 | CF/CM/CU60D | 1300 | 47.0 | 33.2 | 15.00 | 12.50 |
| TC4B4821S | TM9V080C16MP11C | 21.0 | CF/CM64D | 1300 | 47.0 | 33.4 | 15.50 | 12.75 |
| TC4B4821S | TM9V080C16MP12C | 21.0 | CF/CM/CU48C | 1300 | 47.0 | 33.2 | 15.25 | 12.50 |
| TC4B4821S | TM9V080C16MP12C | 21.0 | CF/CM/CU48D | 1300 | 47.0 | 33.0 | 15.25 | 12.75 |
| TC4B4821S | TM9V080C16MP12C | 21.0 | CF/CM/CU60C | 1300 | 47.0 | 33.2 | 15.00 | 12.50 |
| TC4B4821S | TM9V080C16MP12C | 21.0 | CF/CM/CU60D | 1300 | 47.0 | 33.2 | 15.00 | 12.50 |
| TC4B4821S | TM9V080C16MP12C | 21.0 | CF/CM64D | 1300 | 47.0 | 33.4 | 15.50 | 12.75 |
| TC4B4821S | TM9V100C16MP11C | 21.0 | CF/CM/CU48C | 1425 | 48.0 | 34.4 | 15.25 | 12.50 |
| TC4B4821S | TM9V100C16MP11C | 21.0 | CF/CM/CU48D | 1425 | 47.0 | 33.6 | 15.50 | 12.75 |
| TC4B4821S | TM9V100C16MP11C | 21.0 | CF/CM/CU60C | 1325 | 46.5 | 34.6 | 15.00 | 12.50 |
| TC4B4821S | TM9V100C16MP11C | 21.0 | CF/CM/CU60D | 1425 | 47.0 | 33.8 | 15.00 | 12.50 |

COOLING CAPACITY - With High Efficiency Motor Furnaces¹ (Continued)

| UNIT MODEL | FURNACE | | COIL MODEL ² | COOLING | | | | |
|---------------|-----------------|-------|----------------------------|--------------|---------|-------|-------|-------|
| | MODEL | WIDTH | | RATED CFM | NET MBH | | SEER | EER |
| | | | | | TOTAL | SENS. | | |
| TC4B4821S | TM9V100C16MP11C | 21.0 | CF/CM64D | 1300 | 46.5 | 32.6 | 15.50 | 12.75 |
| TC4B4821S | TM9V100C16MP12C | 21.0 | CF/CM/CU48C | 1325 | 47.0 | 34.8 | 15.00 | 12.50 |
| TC4B4821S | TM9V100C16MP12C | 21.0 | CF/CM/CU48D | 1325 | 47.0 | 34.8 | 15.25 | 12.50 |
| TC4B4821S | TM9V100C16MP12C | 21.0 | CF/CM/CU60C | 1325 | 46.5 | 34.6 | 15.00 | 12.50 |
| TC4B4821S | TM9V100C16MP12C | 21.0 | CF/CM/CU60D | 1425 | 47.0 | 35.0 | 15.00 | 12.50 |
| TC4B4821S | TM9V100C16MP12C | 21.0 | CF/CM64D | 1425 | 46.5 | 34.8 | 15.50 | 12.75 |
| TC4B4821S | TM9V100C20MP11C | 21.0 | CF/CM/CU48C | 1450 | 48.0 | 34.6 | 14.75 | 12.25 |
| TC4B4821S | TM9V100C20MP11C | 21.0 | CF/CM/CU48D | 1300 | 48.0 | 33.4 | 15.25 | 12.75 |
| TC4B4821S | TM9V100C20MP11C | 21.0 | CF/CM/CU60C | 1500 | 48.0 | 35.4 | 14.75 | 12.25 |
| TC4B4821S | TM9V100C20MP11C | 21.0 | CF/CM/CU60D | 1325 | 46.5 | 32.6 | 15.25 | 12.50 |
| TC4B4821S | TM9V100C20MP11C | 21.0 | CF/CM64D | 1300 | 46.5 | 32.6 | 15.50 | 12.75 |
| TC4B4821S | TM9V100C20MP12C | 21.0 | CF/CM/CU48C | 1350 | 47.5 | 35.4 | 14.75 | 12.25 |
| TC4B4821S | TM9V100C20MP12C | 21.0 | CF/CM/CU48D | 1350 | 47.5 | 35.2 | 15.25 | 12.50 |
| TC4B4821S | TM9V100C20MP12C | 21.0 | CF/CM/CU60C | 1350 | 47.5 | 36.8 | 14.75 | 12.25 |
| TC4B4821S | TM9V100C20MP12C | 21.0 | CF/CM/CU60D | 1350 | 46.5 | 36.0 | 15.25 | 12.50 |
| TC4B4821S | TM9V100C20MP12C | 21.0 | CF/CM64D | 1475 | 46.5 | 36.0 | 15.25 | 12.75 |
| TC4B4821S | TM9V120D20MP11C | 24.5 | CF/CM/CU48D | 1300 | 46.5 | 32.4 | 15.25 | 12.50 |
| TC4B4821S | TM9V120D20MP11C | 24.5 | CF/CM/CU60D | 1300 | 46.5 | 32.6 | 15.50 | 12.75 |
| TC4B4821S | TM9V120D20MP11C | 24.5 | CF/CM64D | 1525 | 48.0 | 35.6 | 15.25 | 12.50 |
| TC4B4821S | TM9V120D20MP12C | 24.5 | CF/CM/CU48D | 1425 | 46.5 | 35.6 | 15.25 | 12.50 |
| TC4B4821S | TM9V120D20MP12C | 24.5 | CF/CM/CU60D | 1575 | 48.0 | 37.0 | 15.50 | 12.75 |
| TC4B4821S | TM9V120D20MP12C | 24.5 | CF/CM64D | 1575 | 48.0 | 37.2 | 15.25 | 12.50 |
| TC4B4821S | TM9Y080C16MP11 | 21.0 | CF/CM/CU48C | 1325 | 46.5 | 32.6 | 14.75 | 12.25 |
| TC4B4821S | TM9Y080C16MP11 | 21.0 | CF/CM/CU48D | 1350 | 46.5 | 32.6 | 14.75 | 12.25 |
| TC4B4821S | TM9Y080C16MP11 | 21.0 | CF/CM/CU60C | 1325 | 47.5 | 33.4 | 15.00 | 12.50 |
| TC4B4821S | TM9Y080C16MP11 | 21.0 | CF/CM/CU60D | 1325 | 47.0 | 33.2 | 15.00 | 12.50 |
| TC4B4821S | TM9Y080C16MP11 | 21.0 | CF/CM64D | 1350 | 47.0 | 32.6 | 15.25 | 12.50 |
| TC4B4821S | TM9Y100C16MP11 | 21.0 | CF/CM/CU48C | 1400 | 46.5 | 32.6 | 14.75 | 12.25 |
| TC4B4821S | TM9Y100C16MP11 | 21.0 | CF/CM/CU48D | 1400 | 46.5 | 32.6 | 14.75 | 12.25 |
| TC4B4821S | TM9Y100C16MP11 | 21.0 | CF/CM/CU60C | 1400 | 47.5 | 33.4 | 15.00 | 12.50 |
| TC4B4821S | TM9Y100C16MP11 | 21.0 | CF/CM/CU60D | 1425 | 47.0 | 33.2 | 15.00 | 12.50 |
| TC4B4821S | TM9Y100C16MP11 | 21.0 | CF/CM64D | 1400 | 47.0 | 32.6 | 15.25 | 12.50 |
| TC4B4821S | TM9Y100C20MP11 | 21.0 | CF/CM/CU48C | 1350 | 47.0 | 34.2 | 15.00 | 12.50 |
| TC4B4821S | TM9Y100C20MP11 | 21.0 | CF/CM/CU48D | 1350 | 47.5 | 34.0 | 15.00 | 12.50 |
| TC4B4821S | TM9Y100C20MP11 | 21.0 | CF/CM/CU60C | 1325 | 47.5 | 34.0 | 15.00 | 12.50 |
| TC4B4821S | TM9Y100C20MP11 | 21.0 | CF/CM/CU60D | 1350 | 47.5 | 35.0 | 15.25 | 12.75 |
| TC4B4821S | TM9Y100C20MP11 | 21.0 | CF/CM64D | 1350 | 47.5 | 34.2 | 15.25 | 12.75 |
| TC4B4821S | TM9Y120D20MP11 | 24.5 | CF/CM/CU48D | 1400 | 47.0 | 33.6 | 15.25 | 12.50 |
| TC4B4821S | TM9Y120D20MP11 | 24.5 | CF/CM/CU60D | 1400 | 47.0 | 34.0 | 15.50 | 12.75 |
| TC4B4821S | TM9Y120D20MP11 | 24.5 | CF/CM64D | 1575 | 48.0 | 34.6 | 15.50 | 12.75 |
| TC4B4821S | TMLV080C16MP11C | 21.0 | CF/CM/CU48C | 1325 | 47.0 | 32.8 | 15.00 | 12.50 |
| TC4B4821S | TMLV080C16MP11C | 21.0 | CF/CM/CU48D | 1300 | 48.0 | 33.4 | 15.25 | 12.50 |
| TC4B4821S | TMLV080C16MP11C | 21.0 | CF/CM/CU60C | 1325 | 47.0 | 33.0 | 15.50 | 12.75 |
| TC4B4821S | TMLV080C16MP11C | 21.0 | CF/CM/CU60D | 1325 | 47.0 | 33.0 | 15.50 | 12.75 |
| TC4B4821S | TMLV080C16MP11C | 21.0 | CF/CM64D | 1400 | 48.0 | 34.4 | 15.50 | 12.75 |
| TC4B4821S | TMLV080C16MP12C | 21.0 | CF/CM/CU48C | 1425 | 47.0 | 34.4 | 15.00 | 12.50 |
| TC4B4821S | TMLV080C16MP12C | 21.0 | CF/CM/CU48D | 1425 | 48.0 | 35.2 | 15.00 | 12.50 |
| TC4B4821S | TMLV080C16MP12C | 21.0 | CF/CM/CU60C | 1425 | 47.0 | 34.8 | 15.00 | 12.50 |
| TC4B4821S | TMLV080C16MP12C | 21.0 | CF/CM/CU60D | 1425 | 47.0 | 34.8 | 15.25 | 12.75 |
| TC4B4821S | TMLV080C16MP12C | 21.0 | CF/CM64D | 1425 | 48.0 | 35.4 | 15.25 | 12.75 |
| TC4B4821S | TMLV100C16MP11C | 21.0 | CF/CM/CU48C | 1325 | 47.0 | 32.8 | 15.00 | 12.50 |
| TC4B4821S | TMLV100C16MP11C | 21.0 | CF/CM/CU48D | 1300 | 48.0 | 33.4 | 15.25 | 12.50 |
| TC4B4821S | TMLV100C16MP11C | 21.0 | CF/CM/CU60C | 1325 | 47.0 | 33.0 | 15.50 | 12.75 |

COOLING CAPACITY - With High Efficiency Motor Furnaces¹ (Continued)

| UNIT MODEL | FURNACE | | COIL MODEL ² | COOLING | | | | |
|---------------|-----------------|-------|----------------------------|--------------|---------|-------|-------|-------|
| | MODEL | WIDTH | | RATED CFM | NET MBH | | SEER | EER |
| | | | | | TOTAL | SENS. | | |
| TC4B4821S | TMLV100C16MP11C | 21.0 | CF/CM/CU60D | 1325 | 47.0 | 33.0 | 15.50 | 12.75 |
| TC4B4821S | TMLV100C16MP11C | 21.0 | CF/CM64D | 1400 | 48.0 | 34.4 | 15.50 | 12.75 |
| TC4B4821S | TMLV100C16MP12C | 21.0 | CF/CM/CU48C | 1425 | 47.0 | 34.4 | 15.00 | 12.50 |
| TC4B4821S | TMLV100C16MP12C | 21.0 | CF/CM/CU48D | 1425 | 48.0 | 35.2 | 15.00 | 12.50 |
| TC4B4821S | TMLV100C16MP12C | 21.0 | CF/CM/CU60C | 1425 | 47.0 | 34.8 | 15.00 | 12.50 |
| TC4B4821S | TMLV100C16MP12C | 21.0 | CF/CM/CU60D | 1425 | 47.0 | 34.8 | 15.25 | 12.75 |
| TC4B4821S | TMLV100C16MP12C | 21.0 | CF/CM64D | 1425 | 48.0 | 35.4 | 15.25 | 12.75 |
| TC4B4821S | TMLV100C20MP11C | 21.0 | CF/CM/CU48C | 1300 | 47.0 | 32.8 | 15.00 | 12.50 |
| TC4B4821S | TMLV100C20MP11C | 21.0 | CF/CM/CU48D | 1650 | 48.0 | 35.2 | 15.50 | 12.75 |
| TC4B4821S | TMLV100C20MP11C | 21.0 | CF/CM/CU60C | 1400 | 47.5 | 34.0 | 15.25 | 12.75 |
| TC4B4821S | TMLV100C20MP11C | 21.0 | CF/CM/CU60D | 1350 | 47.0 | 33.2 | 15.00 | 12.50 |
| TC4B4821S | TMLV100C20MP11C | 21.0 | CF/CM64D | 1425 | 47.5 | 34.4 | 15.25 | 12.50 |
| TC4B4821S | TMLV100C20MP12C | 21.0 | CF/CM/CU48C | 1425 | 47.0 | 35.8 | 15.00 | 12.50 |
| TC4B4821S | TMLV100C20MP12C | 21.0 | CF/CM/CU48D | 1375 | 48.0 | 36.6 | 15.50 | 12.75 |
| TC4B4821S | TMLV100C20MP12C | 21.0 | CF/CM/CU60C | 1375 | 47.5 | 36.4 | 15.25 | 12.75 |
| TC4B4821S | TMLV100C20MP12C | 21.0 | CF/CM/CU60D | 1475 | 48.0 | 37.2 | 15.00 | 12.50 |
| TC4B4821S | TMLV100C20MP12C | 21.0 | CF/CM64D | 1425 | 47.5 | 36.6 | 15.25 | 12.50 |
| TC4B4821S | TMLV120C20MP11C | 21.0 | CF/CM/CU48C | 1300 | 47.0 | 32.8 | 15.00 | 12.50 |
| TC4B4821S | TMLV120C20MP11C | 21.0 | CF/CM/CU48D | 1650 | 48.0 | 35.2 | 15.50 | 12.75 |
| TC4B4821S | TMLV120C20MP11C | 21.0 | CF/CM/CU60C | 1400 | 47.5 | 34.0 | 15.25 | 12.75 |
| TC4B4821S | TMLV120C20MP11C | 21.0 | CF/CM/CU60D | 1350 | 47.0 | 33.2 | 15.00 | 12.50 |
| TC4B4821S | TMLV120C20MP11C | 21.0 | CF/CM64D | 1425 | 47.5 | 34.4 | 15.25 | 12.50 |
| TC4B4821S | TMLV120C20MP12C | 21.0 | CF/CM/CU48C | 1425 | 47.0 | 35.8 | 15.00 | 12.50 |
| TC4B4821S | TMLV120C20MP12C | 21.0 | CF/CM/CU48D | 1375 | 48.0 | 36.6 | 15.50 | 12.75 |
| TC4B4821S | TMLV120C20MP12C | 21.0 | CF/CM/CU60C | 1375 | 47.5 | 36.4 | 15.25 | 12.75 |
| TC4B4821S | TMLV120C20MP12C | 21.0 | CF/CM/CU60D | 1475 | 48.0 | 37.2 | 15.00 | 12.50 |
| TC4B4821S | TMLV120C20MP12C | 21.0 | CF/CM64D | 1425 | 47.5 | 36.6 | 15.25 | 12.50 |
| TC4B4821S | TMLX080C16MP11 | 21.0 | CF/CM/CU48C | 1350 | 47.5 | 34.4 | 15.00 | 12.25 |
| TC4B4821S | TMLX080C16MP11 | 21.0 | CF/CM/CU48D | 1375 | 47.5 | 33.8 | 15.00 | 12.50 |
| TC4B4821S | TMLX080C16MP11 | 21.0 | CF/CM/CU60C | 1350 | 47.5 | 34.0 | 15.00 | 12.50 |
| TC4B4821S | TMLX080C16MP11 | 21.0 | CF/CM/CU60D | 1375 | 47.5 | 34.2 | 15.25 | 12.50 |
| TC4B4821S | TMLX080C16MP11 | 21.0 | CF/CM64D | 1350 | 47.5 | 34.2 | 15.25 | 12.75 |
| TC4B4821S | TMLX100C16MP11 | 21.0 | CF/CM/CU48C | 1350 | 47.5 | 34.4 | 15.00 | 12.25 |
| TC4B4821S | TMLX100C16MP11 | 21.0 | CF/CM/CU48D | 1375 | 47.5 | 33.8 | 15.00 | 12.50 |
| TC4B4821S | TMLX100C16MP11 | 21.0 | CF/CM/CU60C | 1350 | 47.5 | 34.0 | 15.00 | 12.50 |
| TC4B4821S | TMLX100C16MP11 | 21.0 | CF/CM/CU60D | 1375 | 47.5 | 34.2 | 15.25 | 12.50 |
| TC4B4821S | TMLX100C16MP11 | 21.0 | CF/CM64D | 1350 | 47.5 | 34.2 | 15.25 | 12.75 |
| TC4B4821S | TMLX100C20MP11 | 21.0 | CF/CM/CU48C | 1375 | 47.0 | 33.6 | 15.25 | 12.50 |
| TC4B4821S | TMLX100C20MP11 | 21.0 | CF/CM/CU48D | 1400 | 47.0 | 33.0 | 15.50 | 12.75 |
| TC4B4821S | TMLX100C20MP11 | 21.0 | CF/CM/CU60C | 1375 | 47.5 | 35.0 | 15.50 | 12.75 |
| TC4B4821S | TMLX100C20MP11 | 21.0 | CF/CM/CU60D | 1400 | 48.0 | 35.2 | 15.50 | 12.75 |
| TC4B4821S | TMLX100C20MP11 | 21.0 | CF/CM64D | 1375 | 47.5 | 34.4 | 15.75 | 12.75 |
| TC4B4821S | TMLX120C20MP11 | 21.0 | CF/CM/CU48C | 1375 | 47.0 | 33.6 | 15.25 | 12.50 |
| TC4B4821S | TMLX120C20MP11 | 21.0 | CF/CM/CU48D | 1400 | 47.0 | 33.0 | 15.50 | 12.75 |
| TC4B4821S | TMLX120C20MP11 | 21.0 | CF/CM/CU60C | 1375 | 47.5 | 35.0 | 15.50 | 12.75 |
| TC4B4821S | TMLX120C20MP11 | 21.0 | CF/CM/CU60D | 1400 | 48.0 | 35.2 | 15.50 | 12.75 |
| TC4B4821S | TMLX120C20MP11 | 21.0 | CF/CM64D | 1375 | 47.5 | 34.4 | 15.75 | 12.75 |
| TC4B4821S | TP9C080C16MP12C | 21.0 | CF/CM/CU48C | 1425 | 48.0 | 34.4 | 15.25 | 12.50 |
| TC4B4821S | TP9C080C16MP12C | 21.0 | CF/CM/CU48D | 1425 | 47.0 | 33.6 | 15.50 | 12.75 |
| TC4B4821S | TP9C080C16MP12C | 21.0 | CF/CM/CU60C | 1325 | 46.5 | 32.8 | 15.25 | 12.50 |
| TC4B4821S | TP9C080C16MP12C | 21.0 | CF/CM/CU60D | 1425 | 47.0 | 33.8 | 15.00 | 12.50 |
| TC4B4821S | TP9C080C16MP12C | 21.0 | CF/CM64D | 1300 | 46.5 | 32.6 | 15.50 | 12.75 |
| TC4B4821S | TP9C080C16MP13C | 21.0 | CF/CM/CU48C | 1300 | 47.0 | 33.2 | 15.25 | 12.50 |

COOLING CAPACITY - With High Efficiency Motor Furnaces¹ (Continued)

| UNIT MODEL | FURNACE | | COIL MODEL ² | COOLING | | | | |
|---------------|-----------------|-------|----------------------------|--------------|---------|-------|-------|-------|
| | MODEL | WIDTH | | RATED CFM | NET MBH | | SEER | EER |
| | | | | | TOTAL | SENS. | | |
| TC4B4821S | TP9C080C16MP13C | 21.0 | CF/CM/CU48D | 1300 | 47.0 | 33.0 | 15.25 | 12.75 |
| TC4B4821S | TP9C080C16MP13C | 21.0 | CF/CM/CU60C | 1300 | 47.0 | 33.2 | 15.00 | 12.50 |
| TC4B4821S | TP9C080C16MP13C | 21.0 | CF/CM/CU60D | 1300 | 47.0 | 33.2 | 15.00 | 12.50 |
| TC4B4821S | TP9C080C16MP13C | 21.0 | CF/CM64D | 1300 | 47.0 | 33.4 | 15.50 | 12.75 |
| TC4B4821S | TP9C100C16MP12C | 21.0 | CF/CM/CU48C | 1325 | 47.0 | 34.8 | 15.00 | 12.50 |
| TC4B4821S | TP9C100C16MP12C | 21.0 | CF/CM/CU48D | 1325 | 47.0 | 34.8 | 15.25 | 12.50 |
| TC4B4821S | TP9C100C16MP12C | 21.0 | CF/CM/CU60C | 1325 | 46.5 | 34.6 | 15.00 | 12.50 |
| TC4B4821S | TP9C100C16MP12C | 21.0 | CF/CM/CU60D | 1425 | 47.0 | 35.0 | 15.00 | 12.50 |
| TC4B4821S | TP9C100C16MP12C | 21.0 | CF/CM64D | 1425 | 46.5 | 34.8 | 15.50 | 12.75 |
| TC4B4821S | TP9C100C16MP13C | 21.0 | CF/CM/CU48C | 1325 | 47.0 | 34.8 | 15.00 | 12.50 |
| TC4B4821S | TP9C100C16MP13C | 21.0 | CF/CM/CU48D | 1325 | 47.0 | 34.8 | 15.25 | 12.50 |
| TC4B4821S | TP9C100C16MP13C | 21.0 | CF/CM/CU60C | 1325 | 46.5 | 34.6 | 15.00 | 12.50 |
| TC4B4821S | TP9C100C16MP13C | 21.0 | CF/CM/CU60D | 1425 | 47.0 | 35.0 | 15.00 | 12.50 |
| TC4B4821S | TP9C100C16MP13C | 21.0 | CF/CM64D | 1425 | 46.5 | 34.8 | 15.50 | 12.75 |
| TC4B4821S | TP9C100C20MP12C | 21.0 | CF/CM/CU48C | 1350 | 47.5 | 35.4 | 14.75 | 12.25 |
| TC4B4821S | TP9C100C20MP12C | 21.0 | CF/CM/CU48D | 1350 | 47.5 | 35.2 | 15.25 | 12.50 |
| TC4B4821S | TP9C100C20MP12C | 21.0 | CF/CM/CU60C | 1350 | 47.5 | 36.8 | 14.75 | 12.25 |
| TC4B4821S | TP9C100C20MP12C | 21.0 | CF/CM/CU60D | 1350 | 46.5 | 36.0 | 15.25 | 12.50 |
| TC4B4821S | TP9C100C20MP12C | 21.0 | CF/CM64D | 1475 | 46.5 | 36.0 | 15.25 | 12.75 |
| TC4B4821S | TP9C100C20MP13C | 21.0 | CF/CM/CU48C | 1350 | 47.5 | 35.4 | 14.75 | 12.25 |
| TC4B4821S | TP9C100C20MP13C | 21.0 | CF/CM/CU48D | 1350 | 47.5 | 35.2 | 15.25 | 12.50 |
| TC4B4821S | TP9C100C20MP13C | 21.0 | CF/CM/CU60C | 1350 | 47.5 | 36.8 | 14.75 | 12.25 |
| TC4B4821S | TP9C100C20MP13C | 21.0 | CF/CM/CU60D | 1350 | 46.5 | 36.0 | 15.25 | 12.50 |
| TC4B4821S | TP9C100C20MP13C | 21.0 | CF/CM64D | 1475 | 46.5 | 36.0 | 15.25 | 12.75 |
| TC4B4821S | TP9C120D20MP12C | 24.5 | CF/CM/CU48D | 1300 | 46.5 | 32.4 | 15.25 | 12.50 |
| TC4B4821S | TP9C120D20MP12C | 24.5 | CF/CM/CU60D | 1300 | 46.5 | 32.6 | 15.50 | 12.75 |
| TC4B4821S | TP9C120D20MP12C | 24.5 | CF/CM64D | 1525 | 48.0 | 35.6 | 15.25 | 12.50 |
| TC4B4821S | TP9C120D20MP13C | 24.5 | CF/CM/CU48D | 1425 | 46.5 | 35.6 | 15.25 | 12.50 |
| TC4B4821S | TP9C120D20MP13C | 24.5 | CF/CM/CU60D | 1575 | 48.0 | 37.0 | 15.50 | 12.75 |
| TC4B4821S | TP9C120D20MP13C | 24.5 | CF/CM64D | 1575 | 48.0 | 37.2 | 15.25 | 12.50 |
| TC4B4821S | TPLC080C16MP12C | 21.0 | CF/CM/CU48C | 1425 | 47.0 | 34.4 | 15.00 | 12.50 |
| TC4B4821S | TPLC080C16MP12C | 21.0 | CF/CM/CU48D | 1425 | 48.0 | 35.2 | 15.00 | 12.50 |
| TC4B4821S | TPLC080C16MP12C | 21.0 | CF/CM/CU60C | 1425 | 47.0 | 34.8 | 15.00 | 12.50 |
| TC4B4821S | TPLC080C16MP12C | 21.0 | CF/CM/CU60D | 1425 | 47.0 | 34.8 | 15.25 | 12.75 |
| TC4B4821S | TPLC080C16MP12C | 21.0 | CF/CM64D | 1425 | 48.0 | 35.4 | 15.25 | 12.75 |
| TC4B4821S | TPLC080C16MP13C | 21.0 | CF/CM/CU48C | 1425 | 47.0 | 34.4 | 15.00 | 12.50 |
| TC4B4821S | TPLC080C16MP13C | 21.0 | CF/CM/CU48D | 1425 | 48.0 | 35.2 | 15.00 | 12.50 |
| TC4B4821S | TPLC080C16MP13C | 21.0 | CF/CM/CU60C | 1425 | 47.0 | 34.8 | 15.00 | 12.50 |
| TC4B4821S | TPLC080C16MP13C | 21.0 | CF/CM/CU60D | 1425 | 47.0 | 34.8 | 15.25 | 12.75 |
| TC4B4821S | TPLC080C16MP13C | 21.0 | CF/CM64D | 1425 | 48.0 | 35.4 | 15.25 | 12.75 |
| TC4B4821S | TPLC100C16MP12C | 21.0 | CF/CM/CU48C | 1425 | 47.0 | 34.4 | 15.00 | 12.50 |
| TC4B4821S | TPLC100C16MP12C | 21.0 | CF/CM/CU48D | 1425 | 48.0 | 35.2 | 15.00 | 12.50 |
| TC4B4821S | TPLC100C16MP12C | 21.0 | CF/CM/CU60C | 1425 | 47.0 | 34.8 | 15.00 | 12.50 |
| TC4B4821S | TPLC100C16MP12C | 21.0 | CF/CM/CU60D | 1425 | 47.0 | 34.8 | 15.25 | 12.75 |
| TC4B4821S | TPLC100C16MP12C | 21.0 | CF/CM64D | 1425 | 48.0 | 35.4 | 15.25 | 12.75 |
| TC4B4821S | TPLC100C16MP13C | 21.0 | CF/CM/CU48C | 1425 | 47.0 | 34.4 | 15.00 | 12.50 |
| TC4B4821S | TPLC100C16MP13C | 21.0 | CF/CM/CU48D | 1425 | 48.0 | 35.2 | 15.00 | 12.50 |
| TC4B4821S | TPLC100C16MP13C | 21.0 | CF/CM/CU60C | 1425 | 47.0 | 34.8 | 15.00 | 12.50 |
| TC4B4821S | TPLC100C16MP13C | 21.0 | CF/CM/CU60D | 1425 | 47.0 | 34.8 | 15.25 | 12.75 |
| TC4B4821S | TPLC100C16MP13C | 21.0 | CF/CM64D | 1425 | 48.0 | 35.4 | 15.25 | 12.75 |
| TC4B4821S | TPLC100C20MP12C | 21.0 | CF/CM/CU48C | 1300 | 47.0 | 32.8 | 15.00 | 12.50 |
| TC4B4821S | TPLC100C20MP12C | 21.0 | CF/CM/CU48D | 1650 | 48.0 | 35.2 | 15.50 | 12.75 |
| TC4B4821S | TPLC100C20MP12C | 21.0 | CF/CM/CU60C | 1400 | 47.5 | 34.0 | 15.25 | 12.75 |

COOLING CAPACITY - With High Efficiency Motor Furnaces¹ (Continued)

| UNIT MODEL | FURNACE | | COIL MODEL ² | COOLING | | | | |
|---------------|-----------------|-------|----------------------------|--------------|---------|-------|-------|-------|
| | MODEL | WIDTH | | RATED CFM | NET MBH | | SEER | EER |
| | | | | | TOTAL | SENS. | | |
| TC4B4821S | TPLC100C20MP12C | 21.0 | CF/CM/CU60D | 1350 | 47.0 | 33.2 | 15.00 | 12.50 |
| TC4B4821S | TPLC100C20MP12C | 21.0 | CF/CM64D | 1425 | 47.5 | 34.4 | 15.25 | 12.50 |
| TC4B4821S | TPLC100C20MP13C | 21.0 | CF/CM/CU48C | 1425 | 47.0 | 35.8 | 15.00 | 12.50 |
| TC4B4821S | TPLC100C20MP13C | 21.0 | CF/CM/CU48D | 1375 | 48.0 | 36.6 | 15.50 | 12.75 |
| TC4B4821S | TPLC100C20MP13C | 21.0 | CF/CM/CU60C | 1375 | 47.5 | 36.4 | 15.25 | 12.75 |
| TC4B4821S | TPLC100C20MP13C | 21.0 | CF/CM/CU60D | 1475 | 48.0 | 37.2 | 15.00 | 12.50 |
| TC4B4821S | TPLC100C20MP13C | 21.0 | CF/CM64D | 1425 | 47.5 | 36.6 | 15.25 | 12.50 |
| TC4B4821S | TPLC120C20MP12C | 21.0 | CF/CM/CU48C | 1300 | 47.0 | 32.8 | 15.00 | 12.50 |
| TC4B4821S | TPLC120C20MP12C | 21.0 | CF/CM/CU48D | 1650 | 48.0 | 35.2 | 15.50 | 12.75 |
| TC4B4821S | TPLC120C20MP12C | 21.0 | CF/CM/CU60C | 1400 | 47.5 | 34.0 | 15.25 | 12.75 |
| TC4B4821S | TPLC120C20MP12C | 21.0 | CF/CM/CU60D | 1350 | 47.0 | 33.2 | 15.00 | 12.50 |
| TC4B4821S | TPLC120C20MP12C | 21.0 | CF/CM64D | 1425 | 47.5 | 34.4 | 15.25 | 12.50 |
| TC4B4821S | TPLC120C20MP13C | 21.0 | CF/CM/CU48C | 1425 | 47.0 | 35.8 | 15.00 | 12.50 |
| TC4B4821S | TPLC120C20MP13C | 21.0 | CF/CM/CU48D | 1375 | 48.0 | 36.6 | 15.50 | 12.75 |
| TC4B4821S | TPLC120C20MP13C | 21.0 | CF/CM/CU60C | 1375 | 47.5 | 36.4 | 15.25 | 12.75 |
| TC4B4821S | TPLC120C20MP13C | 21.0 | CF/CM/CU60D | 1475 | 48.0 | 37.2 | 15.00 | 12.50 |
| TC4B4821S | TPLC120C20MP13C | 21.0 | CF/CM64D | 1425 | 47.5 | 36.6 | 15.25 | 12.50 |
| TC4B4821S | YP9C080C16MP12C | 21.0 | CF/CM/CU48C | 1425 | 48.0 | 34.4 | 15.25 | 12.50 |
| TC4B4821S | YP9C080C16MP12C | 21.0 | CF/CM/CU48D | 1425 | 47.0 | 33.6 | 15.50 | 12.75 |
| TC4B4821S | YP9C080C16MP12C | 21.0 | CF/CM/CU60C | 1325 | 46.5 | 32.8 | 15.25 | 12.50 |
| TC4B4821S | YP9C080C16MP12C | 21.0 | CF/CM/CU60D | 1425 | 47.0 | 33.8 | 15.00 | 12.50 |
| TC4B4821S | YP9C080C16MP12C | 21.0 | CF/CM64D | 1300 | 46.5 | 32.6 | 15.50 | 12.75 |
| TC4B4821S | YP9C080C16MP13C | 21.0 | CF/CM/CU48C | 1300 | 47.0 | 33.2 | 15.25 | 12.50 |
| TC4B4821S | YP9C080C16MP13C | 21.0 | CF/CM/CU48D | 1300 | 47.0 | 33.0 | 15.25 | 12.75 |
| TC4B4821S | YP9C080C16MP13C | 21.0 | CF/CM/CU60C | 1300 | 47.0 | 33.2 | 15.00 | 12.50 |
| TC4B4821S | YP9C080C16MP13C | 21.0 | CF/CM/CU60D | 1300 | 47.0 | 33.2 | 15.00 | 12.50 |
| TC4B4821S | YP9C080C16MP13C | 21.0 | CF/CM64D | 1300 | 47.0 | 33.4 | 15.50 | 12.75 |
| TC4B4821S | YP9C100C16MP12C | 21.0 | CF/CM/CU48C | 1325 | 47.0 | 34.8 | 15.00 | 12.50 |
| TC4B4821S | YP9C100C16MP12C | 21.0 | CF/CM/CU48D | 1325 | 47.0 | 34.8 | 15.25 | 12.50 |
| TC4B4821S | YP9C100C16MP12C | 21.0 | CF/CM/CU60C | 1325 | 46.5 | 34.6 | 15.00 | 12.50 |
| TC4B4821S | YP9C100C16MP12C | 21.0 | CF/CM/CU60D | 1425 | 47.0 | 35.0 | 15.00 | 12.50 |
| TC4B4821S | YP9C100C16MP12C | 21.0 | CF/CM64D | 1425 | 46.5 | 34.8 | 15.50 | 12.75 |
| TC4B4821S | YP9C100C16MP13C | 21.0 | CF/CM/CU48C | 1325 | 47.0 | 34.8 | 15.00 | 12.50 |
| TC4B4821S | YP9C100C16MP13C | 21.0 | CF/CM/CU48D | 1325 | 47.0 | 34.8 | 15.25 | 12.50 |
| TC4B4821S | YP9C100C16MP13C | 21.0 | CF/CM/CU60C | 1325 | 46.5 | 34.6 | 15.00 | 12.50 |
| TC4B4821S | YP9C100C16MP13C | 21.0 | CF/CM/CU60D | 1425 | 47.0 | 35.0 | 15.00 | 12.50 |
| TC4B4821S | YP9C100C16MP13C | 21.0 | CF/CM64D | 1425 | 46.5 | 34.8 | 15.50 | 12.75 |
| TC4B4821S | YP9C100C20MP12C | 21.0 | CF/CM/CU48C | 1350 | 47.5 | 35.4 | 14.75 | 12.25 |
| TC4B4821S | YP9C100C20MP12C | 21.0 | CF/CM/CU48D | 1350 | 47.5 | 35.2 | 15.25 | 12.50 |
| TC4B4821S | YP9C100C20MP12C | 21.0 | CF/CM/CU60C | 1350 | 47.5 | 36.8 | 14.75 | 12.25 |
| TC4B4821S | YP9C100C20MP12C | 21.0 | CF/CM/CU60D | 1350 | 46.5 | 36.0 | 15.25 | 12.50 |
| TC4B4821S | YP9C100C20MP12C | 21.0 | CF/CM64D | 1475 | 46.5 | 36.0 | 15.25 | 12.75 |
| TC4B4821S | YP9C100C20MP13C | 21.0 | CF/CM/CU48C | 1350 | 47.5 | 35.4 | 14.75 | 12.25 |
| TC4B4821S | YP9C100C20MP13C | 21.0 | CF/CM/CU48D | 1350 | 47.5 | 35.2 | 15.25 | 12.50 |
| TC4B4821S | YP9C100C20MP13C | 21.0 | CF/CM/CU60C | 1350 | 47.5 | 36.8 | 14.75 | 12.25 |
| TC4B4821S | YP9C100C20MP13C | 21.0 | CF/CM/CU60D | 1350 | 46.5 | 36.0 | 15.25 | 12.50 |
| TC4B4821S | YP9C100C20MP13C | 21.0 | CF/CM64D | 1475 | 46.5 | 36.0 | 15.25 | 12.75 |
| TC4B4821S | YP9C120D20MP12C | 24.5 | CF/CM/CU48D | 1425 | 46.5 | 35.6 | 15.25 | 12.50 |
| TC4B4821S | YP9C120D20MP12C | 24.5 | CF/CM/CU60D | 1575 | 48.0 | 37.0 | 15.50 | 12.75 |
| TC4B4821S | YP9C120D20MP12C | 24.5 | CF/CM64D | 1575 | 48.0 | 37.2 | 15.25 | 12.50 |
| TC4B4821S | YP9C120D20MP13C | 24.5 | CF/CM/CU48D | 1425 | 46.5 | 35.6 | 15.25 | 12.50 |
| TC4B4821S | YP9C120D20MP13C | 24.5 | CF/CM/CU60D | 1575 | 48.0 | 37.0 | 15.50 | 12.75 |
| TC4B4821S | YP9C120D20MP13C | 24.5 | CF/CM64D | 1575 | 48.0 | 37.2 | 15.25 | 12.50 |

COOLING CAPACITY - With High Efficiency Motor Furnaces¹ (Continued)

| UNIT MODEL | FURNACE | | COIL MODEL ² | COOLING | | | | |
|---------------|-----------------|-------|----------------------------|--------------|---------|-------|-------|-------|
| | MODEL | WIDTH | | RATED CFM | NET MBH | | SEER | EER |
| | | | | | TOTAL | SENS. | | |
| TC4B4821S | YPLC080C16MP12C | 21.0 | CF/CM/CU48C | 1425 | 47.0 | 34.4 | 15.00 | 12.50 |
| TC4B4821S | YPLC080C16MP12C | 21.0 | CF/CM/CU48D | 1425 | 48.0 | 35.2 | 15.00 | 12.50 |
| TC4B4821S | YPLC080C16MP12C | 21.0 | CF/CM/CU60C | 1425 | 47.0 | 34.8 | 15.00 | 12.50 |
| TC4B4821S | YPLC080C16MP12C | 21.0 | CF/CM/CU60D | 1425 | 47.0 | 34.8 | 15.25 | 12.75 |
| TC4B4821S | YPLC080C16MP12C | 21.0 | CF/CM64D | 1425 | 48.0 | 35.4 | 15.25 | 12.75 |
| TC4B4821S | YPLC080C16MP13C | 21.0 | CF/CM/CU48C | 1425 | 47.0 | 34.4 | 15.00 | 12.50 |
| TC4B4821S | YPLC080C16MP13C | 21.0 | CF/CM/CU48D | 1425 | 48.0 | 35.2 | 15.00 | 12.50 |
| TC4B4821S | YPLC080C16MP13C | 21.0 | CF/CM/CU60C | 1425 | 47.0 | 34.8 | 15.00 | 12.50 |
| TC4B4821S | YPLC080C16MP13C | 21.0 | CF/CM/CU60D | 1425 | 47.0 | 34.8 | 15.25 | 12.75 |
| TC4B4821S | YPLC080C16MP13C | 21.0 | CF/CM64D | 1425 | 48.0 | 35.4 | 15.25 | 12.75 |
| TC4B4821S | YPLC100C16MP12C | 21.0 | CF/CM/CU48C | 1425 | 47.0 | 34.4 | 15.00 | 12.50 |
| TC4B4821S | YPLC100C16MP12C | 21.0 | CF/CM/CU48D | 1425 | 48.0 | 35.2 | 15.00 | 12.50 |
| TC4B4821S | YPLC100C16MP12C | 21.0 | CF/CM/CU60C | 1425 | 47.0 | 34.8 | 15.00 | 12.50 |
| TC4B4821S | YPLC100C16MP12C | 21.0 | CF/CM/CU60D | 1425 | 47.0 | 34.8 | 15.25 | 12.75 |
| TC4B4821S | YPLC100C16MP12C | 21.0 | CF/CM64D | 1425 | 48.0 | 35.4 | 15.25 | 12.75 |
| TC4B4821S | YPLC100C16MP13C | 21.0 | CF/CM/CU48C | 1425 | 47.0 | 34.4 | 15.00 | 12.50 |
| TC4B4821S | YPLC100C16MP13C | 21.0 | CF/CM/CU48D | 1425 | 48.0 | 35.2 | 15.00 | 12.50 |
| TC4B4821S | YPLC100C16MP13C | 21.0 | CF/CM/CU60C | 1425 | 47.0 | 34.8 | 15.00 | 12.50 |
| TC4B4821S | YPLC100C16MP13C | 21.0 | CF/CM/CU60D | 1425 | 47.0 | 34.8 | 15.25 | 12.75 |
| TC4B4821S | YPLC100C16MP13C | 21.0 | CF/CM64D | 1425 | 48.0 | 35.4 | 15.25 | 12.75 |
| TC4B4821S | YPLC100C20MP12C | 21.0 | CF/CM/CU48C | 1425 | 47.0 | 35.8 | 15.00 | 12.50 |
| TC4B4821S | YPLC100C20MP12C | 21.0 | CF/CM/CU48D | 1375 | 48.0 | 36.6 | 15.50 | 12.75 |
| TC4B4821S | YPLC100C20MP12C | 21.0 | CF/CM/CU60C | 1375 | 47.5 | 36.4 | 15.25 | 12.75 |
| TC4B4821S | YPLC100C20MP12C | 21.0 | CF/CM/CU60D | 1475 | 48.0 | 37.2 | 15.00 | 12.50 |
| TC4B4821S | YPLC100C20MP12C | 21.0 | CF/CM64D | 1425 | 47.5 | 36.6 | 15.25 | 12.50 |
| TC4B4821S | YPLC100C20MP13C | 21.0 | CF/CM/CU48C | 1425 | 47.0 | 35.8 | 15.00 | 12.50 |
| TC4B4821S | YPLC100C20MP13C | 21.0 | CF/CM/CU48D | 1375 | 48.0 | 36.6 | 15.50 | 12.75 |
| TC4B4821S | YPLC100C20MP13C | 21.0 | CF/CM/CU60C | 1375 | 47.5 | 36.4 | 15.25 | 12.75 |
| TC4B4821S | YPLC100C20MP13C | 21.0 | CF/CM/CU60D | 1475 | 48.0 | 37.2 | 15.00 | 12.50 |
| TC4B4821S | YPLC100C20MP13C | 21.0 | CF/CM64D | 1425 | 47.5 | 36.6 | 15.25 | 12.50 |
| TC4B4821S | YPLC120C20MP12C | 21.0 | CF/CM/CU48C | 1425 | 47.0 | 35.8 | 15.00 | 12.50 |
| TC4B4821S | YPLC120C20MP12C | 21.0 | CF/CM/CU48D | 1375 | 48.0 | 36.6 | 15.50 | 12.75 |
| TC4B4821S | YPLC120C20MP12C | 21.0 | CF/CM/CU60C | 1375 | 47.5 | 36.4 | 15.25 | 12.75 |
| TC4B4821S | YPLC120C20MP12C | 21.0 | CF/CM/CU60D | 1475 | 48.0 | 37.2 | 15.00 | 12.50 |
| TC4B4821S | YPLC120C20MP12C | 21.0 | CF/CM64D | 1425 | 47.5 | 36.6 | 15.25 | 12.50 |
| TC4B4821S | YPLC120C20MP13C | 21.0 | CF/CM/CU48C | 1425 | 47.0 | 35.8 | 15.00 | 12.50 |
| TC4B4821S | YPLC120C20MP13C | 21.0 | CF/CM/CU48D | 1375 | 48.0 | 36.6 | 15.50 | 12.75 |
| TC4B4821S | YPLC120C20MP13C | 21.0 | CF/CM/CU60C | 1375 | 47.5 | 36.4 | 15.25 | 12.75 |
| TC4B4821S | YPLC120C20MP13C | 21.0 | CF/CM/CU60D | 1475 | 48.0 | 37.2 | 15.00 | 12.50 |
| TC4B4821S | YPLC120C20MP13C | 21.0 | CF/CM64D | 1425 | 47.5 | 36.6 | 15.25 | 12.50 |
| TC4B6021S | TL8E080C16UH11 | 21.0 | CF/CM64D | 1550 | 56.0 | 40.5 | 14.25 | 12.00 |
| TC4B6021S | TL8E100C20UH11 | 21.0 | CF/CM/CU60C | 1600 | 55.0 | 40.0 | 14.00 | 11.75 |
| TC4B6021S | TL8E100C20UH11 | 21.0 | CF/CM64D | 1600 | 57.0 | 41.5 | 14.50 | 12.25 |
| TC4B6021S | TL9E100C20UH11 | 21.0 | CF/CM/CU60C | 1600 | 54.5 | 39.5 | 14.00 | 11.75 |
| TC4B6021S | TL9E100C20UH11 | 21.0 | CF/CM64D | 1600 | 57.0 | 41.5 | 14.25 | 12.00 |
| TC4B6021S | TM8E080C16MP11 | 21.0 | CF/CM64D | 1575 | 56.5 | 41.0 | 14.25 | 12.00 |
| TC4B6021S | TM8E080C20MP11 | 21.0 | CF/CM/CU60C | 1550 | 55.0 | 39.5 | 14.00 | 11.75 |
| TC4B6021S | TM8E080C20MP11 | 21.0 | CF/CM64D | 1575 | 56.5 | 41.0 | 14.50 | 12.25 |
| TC4B6021S | TM8E100C16MP11 | 21.0 | CF/CM64D | 1575 | 56.5 | 41.0 | 14.25 | 12.00 |
| TC4B6021S | TM8E100C20MP11 | 21.0 | CF/CM64D | 1525 | 56.5 | 40.5 | 14.50 | 12.25 |
| TC4B6021S | TM8E120C16MP11 | 21.0 | CF/CM64D | 1575 | 56.5 | 41.0 | 14.25 | 12.00 |
| TC4B6021S | TM8E120C20MP11 | 21.0 | CF/CM64D | 1525 | 56.5 | 40.5 | 14.50 | 12.25 |
| TC4B6021S | TM8E130D20MP11 | 24.5 | CF/CM64D | 1625 | 57.0 | 42.0 | 14.50 | 12.25 |

COOLING CAPACITY - With High Efficiency Motor Furnaces¹ (Continued)

| UNIT MODEL | FURNACE | | COIL MODEL ² | COOLING | | | | |
|---------------|-----------------|-------|----------------------------|--------------|---------|-------|-------|-------|
| | MODEL | WIDTH | | RATED CFM | NET MBH | | SEER | EER |
| | | | | | TOTAL | SENS. | | |
| TC4B6021S | TM8V080C16MP11C | 21.0 | CF/CM/CU60D | 1700 | 55.5 | 41.5 | 14.00 | 11.70 |
| TC4B6021S | TM8V080C16MP11C | 21.0 | CF/CM64D | 1650 | 56.5 | 40.0 | 14.00 | 11.75 |
| TC4B6021S | TM8V080C16MP12C | 21.0 | CF/CM/CU60D | 1700 | 55.5 | 41.5 | 14.00 | 11.70 |
| TC4B6021S | TM8V100C16MP11C | 21.0 | CF/CM/CU60D | 1700 | 55.5 | 41.5 | 14.00 | 11.70 |
| TC4B6021S | TM8V100C16MP11C | 21.0 | CF/CM64D | 1650 | 56.5 | 40.0 | 14.00 | 11.75 |
| TC4B6021S | TM8V100C16MP12C | 21.0 | CF/CM/CU60D | 1700 | 55.5 | 41.5 | 14.00 | 11.70 |
| TC4B6021S | TM8V100C20MP11C | 21.0 | CF/CM/CU60C | 1625 | 55.0 | 41.0 | 14.00 | 11.75 |
| TC4B6021S | TM8V100C20MP11C | 21.0 | CF/CM/CU60D | 1625 | 55.5 | 41.0 | 14.50 | 12.00 |
| TC4B6021S | TM8V100C20MP12C | 21.0 | CF/CM/CU60C | 1625 | 55.0 | 41.0 | 14.00 | 11.75 |
| TC4B6021S | TM8V100C20MP12C | 21.0 | CF/CM/CU60D | 1625 | 55.5 | 41.0 | 14.50 | 12.00 |
| TC4B6021S | TM8V100C20MP12C | 21.0 | CF/CM64D | 1550 | 55.5 | 40.0 | 14.25 | 12.20 |
| TC4B6021S | TM8V120C20MP11C | 21.0 | CF/CM/CU60C | 1625 | 55.0 | 41.0 | 14.00 | 11.75 |
| TC4B6021S | TM8V120C20MP11C | 21.0 | CF/CM/CU60D | 1700 | 55.5 | 39.5 | 14.00 | 11.75 |
| TC4B6021S | TM8V120C20MP12C | 21.0 | CF/CM/CU60C | 1625 | 55.0 | 41.0 | 14.00 | 11.75 |
| TC4B6021S | TM8V120C20MP12C | 21.0 | CF/CM/CU60D | 1625 | 55.5 | 41.0 | 14.50 | 12.00 |
| TC4B6021S | TM8V120C20MP12C | 21.0 | CF/CM64D | 1550 | 55.5 | 40.0 | 14.25 | 12.20 |
| TC4B6021S | TM8X080C16MP11 | 21.0 | CF/CM/CU60D | 1550 | 54.0 | 39.0 | 14.00 | 11.70 |
| TC4B6021S | TM8X080C16MP11 | 21.0 | CF/CM64D | 1525 | 54.5 | 39.0 | 14.00 | 11.70 |
| TC4B6021S | TM8X100C16MP11 | 21.0 | CF/CM/CU60D | 1550 | 54.0 | 39.0 | 14.00 | 11.70 |
| TC4B6021S | TM8X100C16MP11 | 21.0 | CF/CM64D | 1525 | 54.5 | 39.0 | 14.00 | 11.70 |
| TC4B6021S | TM8X100C20MP11 | 21.0 | CF/CM/CU60C | 1550 | 54.5 | 39.5 | 14.25 | 12.00 |
| TC4B6021S | TM8X100C20MP11 | 21.0 | CF/CM/CU60D | 1600 | 55.0 | 40.5 | 14.25 | 12.00 |
| TC4B6021S | TM8X100C20MP11 | 21.0 | CF/CM64D | 1550 | 55.5 | 39.5 | 14.50 | 12.25 |
| TC4B6021S | TM8X120C20MP11 | 21.0 | CF/CM/CU60C | 1550 | 54.5 | 39.5 | 14.25 | 12.00 |
| TC4B6021S | TM8X120C20MP11 | 21.0 | CF/CM/CU60D | 1600 | 55.0 | 40.5 | 14.25 | 12.00 |
| TC4B6021S | TM8X120C20MP11 | 21.0 | CF/CM64D | 1550 | 55.5 | 39.5 | 14.50 | 12.25 |
| TC4B6021S | TM8Y080C16MP11 | 21.0 | CF/CM/CU60D | 1550 | 54.0 | 39.0 | 14.00 | 11.70 |
| TC4B6021S | TM8Y080C16MP11 | 21.0 | CF/CM64D | 1525 | 54.5 | 39.0 | 14.00 | 11.70 |
| TC4B6021S | TM8Y100C16MP11 | 21.0 | CF/CM/CU60D | 1550 | 54.0 | 39.0 | 14.00 | 11.70 |
| TC4B6021S | TM8Y100C16MP11 | 21.0 | CF/CM64D | 1525 | 54.5 | 39.0 | 14.00 | 11.70 |
| TC4B6021S | TM8Y100C20MP11 | 21.0 | CF/CM/CU60C | 1550 | 54.5 | 39.5 | 14.25 | 12.00 |
| TC4B6021S | TM8Y100C20MP11 | 21.0 | CF/CM/CU60D | 1600 | 55.0 | 40.5 | 14.25 | 12.00 |
| TC4B6021S | TM8Y100C20MP11 | 21.0 | CF/CM64D | 1550 | 55.5 | 39.5 | 14.50 | 12.25 |
| TC4B6021S | TM8Y120C20MP11 | 21.0 | CF/CM/CU60C | 1550 | 54.5 | 39.5 | 14.25 | 12.00 |
| TC4B6021S | TM8Y120C20MP11 | 21.0 | CF/CM/CU60D | 1600 | 55.0 | 40.5 | 14.25 | 12.00 |
| TC4B6021S | TM8Y120C20MP11 | 21.0 | CF/CM64D | 1550 | 55.5 | 39.5 | 14.50 | 12.25 |
| TC4B6021S | TM9E080C20MP12 | 21.0 | CF/CM64D | 1750 | 57.5 | 43.5 | 14.25 | 12.00 |
| TC4B6021S | TM9E100C20MP11 | 21.0 | CF/CM/CU60C | 1525 | 54.0 | 39.0 | 14.00 | 11.70 |
| TC4B6021S | TM9E100C20MP11 | 21.0 | CF/CM/CU60D | 1550 | 54.5 | 39.5 | 14.00 | 11.75 |
| TC4B6021S | TM9E100C20MP11 | 21.0 | CF/CM64D | 1550 | 55.0 | 40.0 | 14.00 | 11.75 |
| TC4B6021S | TM9E100C20MP12 | 21.0 | CF/CM64D | 1525 | 56.5 | 40.5 | 14.50 | 12.25 |
| TC4B6021S | TM9E120D20MP11 | 24.5 | CF/CM/CU60D | 1600 | 55.0 | 40.5 | 14.25 | 12.00 |
| TC4B6021S | TM9E120D20MP11 | 24.5 | CF/CM64D | 1575 | 55.5 | 40.5 | 14.25 | 11.75 |
| TC4B6021S | TM9E120D20MP12 | 24.5 | CF/CM64D | 1600 | 57.0 | 41.5 | 14.25 | 12.00 |
| TC4B6021S | TM9V080C16MP11C | 21.0 | CF/CM/CU60C | 1650 | 55.5 | 40.0 | 14.00 | 11.75 |
| TC4B6021S | TM9V080C16MP11C | 21.0 | CF/CM64D | 1650 | 57.0 | 40.5 | 14.25 | 12.00 |
| TC4B6021S | TM9V100C16MP11C | 21.0 | CF/CM/CU60C | 1600 | 54.5 | 40.0 | 14.00 | 11.75 |
| TC4B6021S | TM9V100C16MP11C | 21.0 | CF/CM/CU60D | 1600 | 55.0 | 40.5 | 14.00 | 11.75 |
| TC4B6021S | TM9V100C16MP11C | 21.0 | CF/CM64D | 1600 | 56.0 | 40.5 | 14.25 | 12.00 |
| TC4B6021S | TM9V100C16MP12C | 21.0 | CF/CM/CU60C | 1600 | 54.5 | 40.0 | 14.00 | 11.75 |
| TC4B6021S | TM9V100C16MP12C | 21.0 | CF/CM/CU60D | 1600 | 55.0 | 40.5 | 14.00 | 11.75 |
| TC4B6021S | TM9V100C16MP12C | 21.0 | CF/CM64D | 1600 | 56.0 | 40.5 | 14.25 | 12.00 |
| TC4B6021S | TM9V100C20MP11C | 21.0 | CF/CM/CU60C | 1600 | 55.0 | 40.5 | 14.00 | 11.70 |

COOLING CAPACITY - With High Efficiency Motor Furnaces¹ (Continued)

| UNIT MODEL | FURNACE | | COIL MODEL ² | COOLING | | | | |
|---------------|-----------------|-------|----------------------------|--------------|---------|-------|-------|-------|
| | MODEL | WIDTH | | RATED CFM | NET MBH | | SEER | EER |
| | | | | | TOTAL | SENS. | | |
| TC4B6021S | TM9V100C20MP11C | 21.0 | CF/CM64D | 1600 | 56.0 | 40.5 | 14.00 | 11.75 |
| TC4B6021S | TM9V100C20MP12C | 21.0 | CF/CM/CU60C | 1600 | 55.0 | 40.5 | 14.00 | 11.70 |
| TC4B6021S | TM9V100C20MP12C | 21.0 | CF/CM64D | 1600 | 56.0 | 40.5 | 14.00 | 11.75 |
| TC4B6021S | TM9V120D20MP11C | 24.5 | CF/CM/CU60D | 1575 | 55.0 | 40.5 | 14.25 | 11.75 |
| TC4B6021S | TM9V120D20MP11C | 24.5 | CF/CM64D | 1575 | 55.5 | 40.5 | 14.25 | 11.75 |
| TC4B6021S | TM9V120D20MP12C | 24.5 | CF/CM/CU60D | 1575 | 55.0 | 40.5 | 14.25 | 11.75 |
| TC4B6021S | TM9V120D20MP12C | 24.5 | CF/CM64D | 1575 | 55.5 | 40.5 | 14.25 | 11.75 |
| TC4B6021S | TM9Y100C20MP11 | 21.0 | CF/CM/CU60C | 1525 | 54.0 | 39.0 | 14.00 | 11.70 |
| TC4B6021S | TM9Y100C20MP11 | 21.0 | CF/CM/CU60D | 1550 | 54.5 | 39.5 | 14.00 | 11.75 |
| TC4B6021S | TM9Y100C20MP11 | 21.0 | CF/CM64D | 1550 | 55.0 | 40.0 | 14.00 | 11.75 |
| TC4B6021S | TM9Y120D20MP11 | 24.5 | CF/CM/CU60D | 1600 | 55.0 | 40.5 | 14.25 | 12.00 |
| TC4B6021S | TM9Y120D20MP11 | 24.5 | CF/CM64D | 1575 | 55.5 | 40.5 | 14.25 | 11.75 |
| TC4B6021S | TMLV080C16MP11C | 21.0 | CF/CM/CU60D | 1700 | 55.5 | 41.5 | 14.00 | 11.70 |
| TC4B6021S | TMLV080C16MP11C | 21.0 | CF/CM64D | 1650 | 56.5 | 40.0 | 14.00 | 11.75 |
| TC4B6021S | TMLV080C16MP12C | 21.0 | CF/CM/CU60D | 1700 | 55.5 | 41.5 | 14.00 | 11.70 |
| TC4B6021S | TMLV100C16MP11C | 21.0 | CF/CM/CU60D | 1700 | 55.5 | 41.5 | 14.00 | 11.70 |
| TC4B6021S | TMLV100C16MP11C | 21.0 | CF/CM64D | 1650 | 56.5 | 40.0 | 14.00 | 11.75 |
| TC4B6021S | TMLV100C16MP12C | 21.0 | CF/CM/CU60D | 1700 | 55.5 | 41.5 | 14.00 | 11.70 |
| TC4B6021S | TMLV100C20MP11C | 21.0 | CF/CM/CU60C | 1625 | 55.0 | 41.0 | 14.00 | 11.75 |
| TC4B6021S | TMLV100C20MP11C | 21.0 | CF/CM/CU60D | 1700 | 55.5 | 39.5 | 14.00 | 11.75 |
| TC4B6021S | TMLV100C20MP12C | 21.0 | CF/CM/CU60C | 1625 | 55.0 | 41.0 | 14.00 | 11.75 |
| TC4B6021S | TMLV100C20MP12C | 21.0 | CF/CM/CU60D | 1625 | 55.5 | 41.0 | 14.50 | 12.00 |
| TC4B6021S | TMLV100C20MP12C | 21.0 | CF/CM64D | 1550 | 55.5 | 40.0 | 14.25 | 12.20 |
| TC4B6021S | TMLV120C20MP11C | 21.0 | CF/CM/CU60C | 1625 | 55.0 | 41.0 | 14.00 | 11.75 |
| TC4B6021S | TMLV120C20MP11C | 21.0 | CF/CM/CU60D | 1700 | 55.5 | 39.5 | 14.00 | 11.75 |
| TC4B6021S | TMLV120C20MP12C | 21.0 | CF/CM/CU60C | 1625 | 55.0 | 41.0 | 14.00 | 11.75 |
| TC4B6021S | TMLV120C20MP12C | 21.0 | CF/CM/CU60D | 1625 | 55.5 | 41.0 | 14.50 | 12.00 |
| TC4B6021S | TMLV120C20MP12C | 21.0 | CF/CM64D | 1550 | 55.5 | 40.0 | 14.25 | 12.20 |
| TC4B6021S | TMLX080C16MP11 | 21.0 | CF/CM/CU60D | 1550 | 54.0 | 39.0 | 14.00 | 11.70 |
| TC4B6021S | TMLX080C16MP11 | 21.0 | CF/CM64D | 1525 | 54.5 | 39.0 | 14.00 | 11.70 |
| TC4B6021S | TMLX100C16MP11 | 21.0 | CF/CM/CU60D | 1550 | 54.0 | 39.0 | 14.00 | 11.70 |
| TC4B6021S | TMLX100C16MP11 | 21.0 | CF/CM64D | 1525 | 54.5 | 39.0 | 14.00 | 11.70 |
| TC4B6021S | TMLX100C20MP11 | 21.0 | CF/CM/CU60C | 1550 | 54.5 | 39.5 | 14.25 | 12.00 |
| TC4B6021S | TMLX100C20MP11 | 21.0 | CF/CM/CU60D | 1600 | 55.0 | 40.5 | 14.25 | 12.00 |
| TC4B6021S | TMLX100C20MP11 | 21.0 | CF/CM64D | 1550 | 55.5 | 39.5 | 14.50 | 12.25 |
| TC4B6021S | TMLX120C20MP11 | 21.0 | CF/CM/CU60C | 1550 | 54.5 | 39.5 | 14.25 | 12.00 |
| TC4B6021S | TMLX120C20MP11 | 21.0 | CF/CM/CU60D | 1600 | 55.0 | 40.5 | 14.25 | 12.00 |
| TC4B6021S | TMLX120C20MP11 | 21.0 | CF/CM64D | 1550 | 55.5 | 39.5 | 14.50 | 12.25 |
| TC4B6021S | TP9C080C16MP12C | 21.0 | CF/CM/CU60C | 1650 | 55.5 | 40.0 | 14.00 | 11.75 |
| TC4B6021S | TP9C080C16MP12C | 21.0 | CF/CM64D | 1650 | 57.0 | 40.5 | 14.25 | 12.00 |
| TC4B6021S | TP9C100C16MP12C | 21.0 | CF/CM/CU60C | 1600 | 54.5 | 40.0 | 14.00 | 11.75 |
| TC4B6021S | TP9C100C16MP12C | 21.0 | CF/CM/CU60D | 1600 | 55.0 | 40.5 | 14.00 | 11.75 |
| TC4B6021S | TP9C100C16MP12C | 21.0 | CF/CM64D | 1600 | 56.0 | 40.5 | 14.25 | 12.00 |
| TC4B6021S | TP9C100C16MP13C | 21.0 | CF/CM/CU60C | 1600 | 54.5 | 40.0 | 14.00 | 11.75 |
| TC4B6021S | TP9C100C16MP13C | 21.0 | CF/CM/CU60D | 1600 | 55.0 | 40.5 | 14.00 | 11.75 |
| TC4B6021S | TP9C100C16MP13C | 21.0 | CF/CM64D | 1600 | 56.0 | 40.5 | 14.25 | 12.00 |
| TC4B6021S | TP9C100C20MP12C | 21.0 | CF/CM/CU60C | 1600 | 55.0 | 40.5 | 14.00 | 11.70 |
| TC4B6021S | TP9C100C20MP12C | 21.0 | CF/CM64D | 1600 | 56.0 | 40.5 | 14.00 | 11.75 |
| TC4B6021S | TP9C100C20MP13C | 21.0 | CF/CM/CU60C | 1600 | 55.0 | 40.5 | 14.00 | 11.70 |
| TC4B6021S | TP9C100C20MP13C | 21.0 | CF/CM64D | 1600 | 56.0 | 40.5 | 14.00 | 11.75 |
| TC4B6021S | TP9C120D20MP12C | 24.5 | CF/CM/CU60D | 1775 | 56.5 | 41.5 | 14.00 | 11.75 |
| TC4B6021S | TP9C120D20MP12C | 24.5 | CF/CM64D | 1750 | 57.0 | 42.0 | 14.00 | 11.75 |
| TC4B6021S | TP9C120D20MP13C | 24.5 | CF/CM/CU60D | 1575 | 55.0 | 40.5 | 14.25 | 11.75 |

COOLING CAPACITY - With High Efficiency Motor Furnaces¹ (Continued)

| UNIT MODEL | FURNACE | | COIL MODEL ² | COOLING | | | | |
|---------------|-----------------|-------|----------------------------|--------------|---------|-------|-------|-------|
| | MODEL | WIDTH | | RATED CFM | NET MBH | | SEER | EER |
| | | | | | TOTAL | SENS. | | |
| TC4B6021S | TP9C120D20MP13C | 24.5 | CF/CM64D | 1575 | 55.5 | 40.5 | 14.25 | 11.75 |
| TC4B6021S | TPLC080C16MP12C | 21.0 | CF/CM/CU60D | 1700 | 55.5 | 41.5 | 14.00 | 11.70 |
| TC4B6021S | TPLC080C16MP12C | 21.0 | CF/CM64D | 1650 | 56.5 | 40.0 | 14.00 | 11.75 |
| TC4B6021S | TPLC080C16MP13C | 21.0 | CF/CM/CU60D | 1700 | 55.5 | 41.5 | 14.00 | 11.70 |
| TC4B6021S | TPLC100C16MP12C | 21.0 | CF/CM/CU60D | 1700 | 55.5 | 41.5 | 14.00 | 11.70 |
| TC4B6021S | TPLC100C16MP12C | 21.0 | CF/CM64D | 1650 | 56.5 | 40.0 | 14.00 | 11.75 |
| TC4B6021S | TPLC100C16MP13C | 21.0 | CF/CM/CU60D | 1700 | 55.5 | 41.5 | 14.00 | 11.70 |
| TC4B6021S | TPLC100C20MP12C | 21.0 | CF/CM/CU60C | 1625 | 55.0 | 41.0 | 14.00 | 11.75 |
| TC4B6021S | TPLC100C20MP12C | 21.0 | CF/CM/CU60D | 1700 | 55.5 | 39.5 | 14.00 | 11.75 |
| TC4B6021S | TPLC100C20MP13C | 21.0 | CF/CM/CU60C | 1625 | 55.0 | 41.0 | 14.00 | 11.75 |
| TC4B6021S | TPLC100C20MP13C | 21.0 | CF/CM/CU60D | 1625 | 55.5 | 41.0 | 14.50 | 12.00 |
| TC4B6021S | TPLC100C20MP13C | 21.0 | CF/CM64D | 1550 | 55.5 | 40.0 | 14.25 | 12.20 |
| TC4B6021S | TPLC120C20MP12C | 21.0 | CF/CM/CU60C | 1625 | 55.0 | 41.0 | 14.00 | 11.75 |
| TC4B6021S | TPLC120C20MP12C | 21.0 | CF/CM/CU60D | 1700 | 55.5 | 39.5 | 14.00 | 11.75 |
| TC4B6021S | TPLC120C20MP13C | 21.0 | CF/CM/CU60C | 1625 | 55.0 | 41.0 | 14.00 | 11.75 |
| TC4B6021S | TPLC120C20MP13C | 21.0 | CF/CM/CU60D | 1625 | 55.5 | 41.0 | 14.50 | 12.00 |
| TC4B6021S | TPLC120C20MP13C | 21.0 | CF/CM64D | 1550 | 55.5 | 40.0 | 14.25 | 12.20 |
| TC4B6021S | YP9C080C16MP12C | 21.0 | CF/CM/CU60C | 1650 | 55.5 | 40.0 | 14.00 | 11.75 |
| TC4B6021S | YP9C080C16MP12C | 21.0 | CF/CM64D | 1650 | 57.0 | 40.5 | 14.25 | 12.00 |
| TC4B6021S | YP9C100C16MP12C | 21.0 | CF/CM/CU60C | 1600 | 54.5 | 40.0 | 14.00 | 11.75 |
| TC4B6021S | YP9C100C16MP12C | 21.0 | CF/CM/CU60D | 1600 | 55.0 | 40.5 | 14.00 | 11.75 |
| TC4B6021S | YP9C100C16MP12C | 21.0 | CF/CM64D | 1600 | 56.0 | 40.5 | 14.25 | 12.00 |
| TC4B6021S | YP9C100C16MP13C | 21.0 | CF/CM/CU60C | 1600 | 54.5 | 40.0 | 14.00 | 11.75 |
| TC4B6021S | YP9C100C16MP13C | 21.0 | CF/CM/CU60D | 1600 | 55.0 | 40.5 | 14.00 | 11.75 |
| TC4B6021S | YP9C100C16MP13C | 21.0 | CF/CM64D | 1600 | 56.0 | 40.5 | 14.25 | 12.00 |
| TC4B6021S | YP9C100C20MP12C | 21.0 | CF/CM/CU60C | 1600 | 55.0 | 40.5 | 14.00 | 11.70 |
| TC4B6021S | YP9C100C20MP12C | 21.0 | CF/CM64D | 1600 | 56.0 | 40.5 | 14.00 | 11.75 |
| TC4B6021S | YP9C100C20MP13C | 21.0 | CF/CM/CU60C | 1600 | 55.0 | 40.5 | 14.00 | 11.70 |
| TC4B6021S | YP9C100C20MP13C | 21.0 | CF/CM64D | 1600 | 56.0 | 40.5 | 14.00 | 11.75 |
| TC4B6021S | YP9C120D20MP12C | 24.5 | CF/CM/CU60D | 1575 | 55.0 | 40.5 | 14.25 | 11.75 |
| TC4B6021S | YP9C120D20MP12C | 24.5 | CF/CM64D | 1575 | 55.5 | 40.5 | 14.25 | 11.75 |
| TC4B6021S | YP9C120D20MP13C | 24.5 | CF/CM/CU60D | 1575 | 55.0 | 40.5 | 14.25 | 11.75 |
| TC4B6021S | YP9C120D20MP13C | 24.5 | CF/CM64D | 1575 | 55.5 | 40.5 | 14.25 | 11.75 |
| TC4B6021S | YPLC080C16MP12C | 21.0 | CF/CM/CU60D | 1700 | 55.5 | 41.5 | 14.00 | 11.70 |
| TC4B6021S | YPLC080C16MP12C | 21.0 | CF/CM64D | 1650 | 56.5 | 40.0 | 14.00 | 11.75 |
| TC4B6021S | YPLC080C16MP13C | 21.0 | CF/CM/CU60D | 1700 | 55.5 | 41.5 | 14.00 | 11.70 |
| TC4B6021S | YPLC100C16MP12C | 21.0 | CF/CM/CU60D | 1700 | 55.5 | 41.5 | 14.00 | 11.70 |
| TC4B6021S | YPLC100C16MP12C | 21.0 | CF/CM64D | 1650 | 56.5 | 40.0 | 14.00 | 11.75 |
| TC4B6021S | YPLC100C16MP13C | 21.0 | CF/CM/CU60D | 1700 | 55.5 | 41.5 | 14.00 | 11.70 |
| TC4B6021S | YPLC100C20MP12C | 21.0 | CF/CM/CU60C | 1625 | 55.0 | 41.0 | 14.00 | 11.75 |
| TC4B6021S | YPLC100C20MP12C | 21.0 | CF/CM/CU60D | 1625 | 55.5 | 41.0 | 14.50 | 12.00 |
| TC4B6021S | YPLC100C20MP13C | 21.0 | CF/CM/CU60C | 1625 | 55.0 | 41.0 | 14.00 | 11.75 |
| TC4B6021S | YPLC100C20MP13C | 21.0 | CF/CM/CU60D | 1625 | 55.5 | 41.0 | 14.50 | 12.00 |
| TC4B6021S | YPLC100C20MP13C | 21.0 | CF/CM64D | 1550 | 55.5 | 40.0 | 14.25 | 12.20 |
| TC4B6021S | YPLC120C20MP12C | 21.0 | CF/CM/CU60C | 1625 | 55.0 | 41.0 | 14.00 | 11.75 |
| TC4B6021S | YPLC120C20MP12C | 21.0 | CF/CM/CU60D | 1625 | 55.5 | 41.0 | 14.50 | 12.00 |
| TC4B6021S | YPLC120C20MP13C | 21.0 | CF/CM/CU60C | 1625 | 55.0 | 41.0 | 14.00 | 11.75 |
| TC4B6021S | YPLC120C20MP13C | 21.0 | CF/CM/CU60D | 1625 | 55.5 | 41.0 | 14.50 | 12.00 |
| TC4B6021S | YPLC120C20MP13C | 21.0 | CF/CM64D | 1550 | 55.5 | 40.0 | 14.25 | 12.20 |

For rated condition information, see the footnotes below the System Capacity - Single Piece and Modular Air Handlers table.

- High Efficiency Motor Furnaces have B.O.D (Blower Off Delay) standard.
 - CM coils available with a factory installed horizontal drain pan. See price pages for specific model number.
- PSC furnaces, such as the TG8S, TGLS, and TG9S, use Coil Only Ratings.

APPLICATIONS AND ACCESSORIES

Refer to Price Manual for specific model numbers.

| Standard Application Limits* | | |
|------------------------------------|------------|-------|
| Maximum Lineset Equivalent Length | 80 Ft | |
| Outdoor Ambient Temperature Limits | | |
| Cooling Operation | Maximum DB | 125°F |
| | Minimum DB | 55°F |

* For Low Ambient and/or Long Lineset Applications, please see the accessories listed below.

Non-Standard Lineset Applications - For installations with reduced diameter or long linesets, refer to the current version of the Piping Application Guide P/N 247077, available in the Application Bulletins section on www.simplygettingthejobdone.com.

OD Unit Anti Short Cycle Kit (10 Pack) S1-2TD08700124BK: A time delay that prevents rapid compressor restarting as a result of power interruption, limit switch operation, or thermostat resetting. Not required for AC models with factory electronic controls.

Standard Low Ambient Control Kit S1-2LA06700424: Allows the use of air conditioning at low outdoor ambient temperatures down to +20°F (-7°C). For use with all R-410A single stage AC models.

Advanced Low Ambient Control Kit S1-2LA04701024: Contains the necessary components and controls to allow cooling operation down to -20°F (-29°C). For use with some R-410A single stage AC & HP models. This accessory can only be applied to models that contain a PSC outdoor fan motor.

Low Pressure Switch Kit S1-2PS06700524: Provides field installed low pressure (loss of charge) protection. Not required for AC models with factory electronic controls.

High Ambient Outdoor Fan Motor S1-FHM**HT:** Class F 70°C motor to allow cooling operation up to 160°F air entering the outdoor coil. For use with all R-410A single stage AC models containing R-410A refrigerant only.

Outdoor Communicating Board Kit (S1-33102952310): Electronic control upgrade for standard AC units to provide compatibility with the Hx™ Touch Screen Communicating thermostat used in communicating mode.

Start Assist Kit S1-2SA067**:** Provides increased compressor starting torque for areas with low supply voltage. Required for units with recip compressors when applied with indoor TXV, and for all units when applied with long linesets or low ambient kits. May be factory installed on select AC units (see Physical & Electrical Table). See Price Pages or Source1 SmartSearch for the correct kit for each application.

Compressor Crankcase Heater Kit (S1-025-**-***):** A wrap-around electrical resistance heater that warms the compressor sump, reducing the chance of liquid slugging on startup. Required on all long lineset and low ambient applications. See Price Pages or Source1 SmartSearch for the correct part for each application.

Support Feet S1-HPRKIT:** Kit of 5 support feet to raise unit above snow or landscaping. Available in heights of 3", 6" or 12".

Anchor Bracket Kit S1-1HK0401: Firmly anchors unit to pad or support structure. When properly installed, approved for ground-mounted or roof-mounted applications.

Indoor TXV Kit S1-1TVM*:** Thermal expansion valves precisely meter refrigerant for optimum performance over a wide range of conditions. See System Charge Table, Price Pages, or Source1 Smart Search for TXV part number for each AC model.

Wall Mount Kit (S1-ACB):** Includes two brackets to allow outdoor unit to be securely mounted to a vertical wall. Mounting hardware is field sourced according to the specific application.

Winter Cover Kit S1-CCVRE*:** Custom fit winter cover protects AC outdoor unit from debris during the off-season. Must be removed prior to unit operation. See Price Pages or Source1 SmartSearch for the correct cover for each application.

Cold Weather Charging Tent S1-CHGTENT01: Provides warm environment to accurately service AC systems in ambient conditions 55°F (13°C) or colder.

Touch-up Paint S1-5130153**:** Color matched aerosol paint for touching up unit chassis and panels. See Price Pages or Source1 SmartSearch for the correct color for each application.

Compressor Sound Blanket S1-010-07xxx-000: A field installed dense foam cover that provides 2dBA sound level reduction. See Price Pages or Source1 SmartSearch for the correct blanket for each application.

Thermostat: Compatible thermostat controls are available through accessory sourcing. For optimum performance, these outdoor units are fully compatible with our Coleman Hx™ Touchscreen Thermostats available through Source1. For more information, see the thermostat section of the Product Equipment Catalog.

SOUND POWER RATINGS

| Cooling Model Number | Octave Band Sound Power Level (db re. 1-pW) | | | | | | | | | |
|-------------------------|---|------|------|------|------|------|------|------|------|------|
| | 63 | 125 | 250 | 500 | 1000 | 2000 | 4000 | 8000 | dBA | SQI |
| TC4B1822S | 69.7 | 66.7 | 65.5 | 65.2 | 69.8 | 65.1 | 63.1 | 60.6 | 73.0 | 19.2 |
| TC4B2422S | 68.7 | 74.0 | 68.6 | 72.9 | 70.5 | 67.3 | 63.8 | 60.7 | 74.0 | 19.1 |
| TC4B3022S | 68.8 | 67.4 | 64.8 | 69.1 | 69.7 | 63.1 | 57.3 | 53.6 | 74.0 | 19.1 |
| TC4B3622S | 71.7 | 72.4 | 69.4 | 71.0 | 70.3 | 63.4 | 60.2 | 55.3 | 74.0 | 19.0 |
| TC4B4222S | 71.5 | 74.9 | 67.1 | 70.6 | 67.0 | 63.2 | 58.7 | 56.6 | 74.0 | 19.2 |
| TC4B4821S | 68.6 | 76.8 | 71.4 | 71.4 | 70.9 | 63.8 | 60.9 | 58.7 | 75.0 | 19.0 |
| TC4B6021S | 72.9 | 73.3 | 71.3 | 74.3 | 70.7 | 66.5 | 64.5 | 64.4 | 76.0 | 19.2 |

Rated in accordance with ARI Standard 270.

MECHANICAL SPECIFICATIONS

MANUFACTURE AND CERTIFICATIONS

- Units shall be manufactured in an ISO 9001 certified facility.
- Units shall be certified by CSA to UL 1995 / CSA 22.2 and performance certified to ANSI/AHRI Standard 210/240.
- Units shall be sound tested according to ANSI/AHRI Standard 270.
- Certified matched system ratings will be available for download from the AHRI online directory at www.ahridirectory.org
- Unit packaging shall be marked, "Assembled in the USA"

UNIT APPLICATION

- Units shall be approved for cooling operation between 55°F and 125°F without modification.
- Units shall be approved for linesets up to 80 feet equivalent length without modification.
- Units shall be approved for installation within 6 inches of a flat vertical wall without modification, according to the instructions in the technical literature.
- Units shall be certified to the 5th Edition (2014) of the Florida Building Code for a combined allowable lateral and uplift wind force of 200 psf and 100 psf, respectively, for both ground-mounted and rooftop-mounted applications up to 200 feet above grade with approved mounting kit.
- Units shall be designed to 76dBA or less to minimize sound pollution.

UNIT ACCESS

- Units shall have a removable fan guard that can be removed independently of the top for interior access through the top of the unit without damaging the coil.
- Units shall have two removable stamped steel coil guards for exterior coil access.
- Units shall have a separate compartment for electrical controls that can be accessed without disturbing the unit airflow.
- Units shall have a blockoff panel that can be removed to provide interior unit access through the side of the unit.
- Units shall have a removable blockoff panel and a swing away removable electrical panel that provides sufficient interior unit access for removing the compressor through the side of the unit.

UNIT CONSTRUCTION

- Units shall be shipped completely wired, piped and assembled. Wiring pigtails shall be provided for field control wiring connections. Service valves shall be provided for field refrigerant line connections.

- Units shall be factory leak checked, run tested, and shipped with a holding charge of R-410A refrigerant.
- Unit cabinet components shall be G90 equivalent steel finished with powder-coat paint rated at a minimum of 500 hours under ASTM B117 testing.
- Unit base pan shall be stamped G90 equivalent steel finished with powder-coat paint rated at a minimum of 500 hours under ASTM B117 testing.
- Units shall have a single corner post opposite the electrical control box and two independently removable steel coil guard panels to optimize cabinet strength and serviceability.
- Units shall have L-shaped stamped sheet metal coil guards with punched and extruded slots for maximum panel durability and stiffness.
- Units shall have a factory installed filter-drier for faster installation and improved system reliability.
- Unit base valves shall be mounted diagonally on the unit base pan with service ports that provide sufficient clearance for low-loss hose fittings.
- Units shall be constructed with a high pressure switch for system protection.
- Units shall be constructed with all badging and labels applied at the factory.

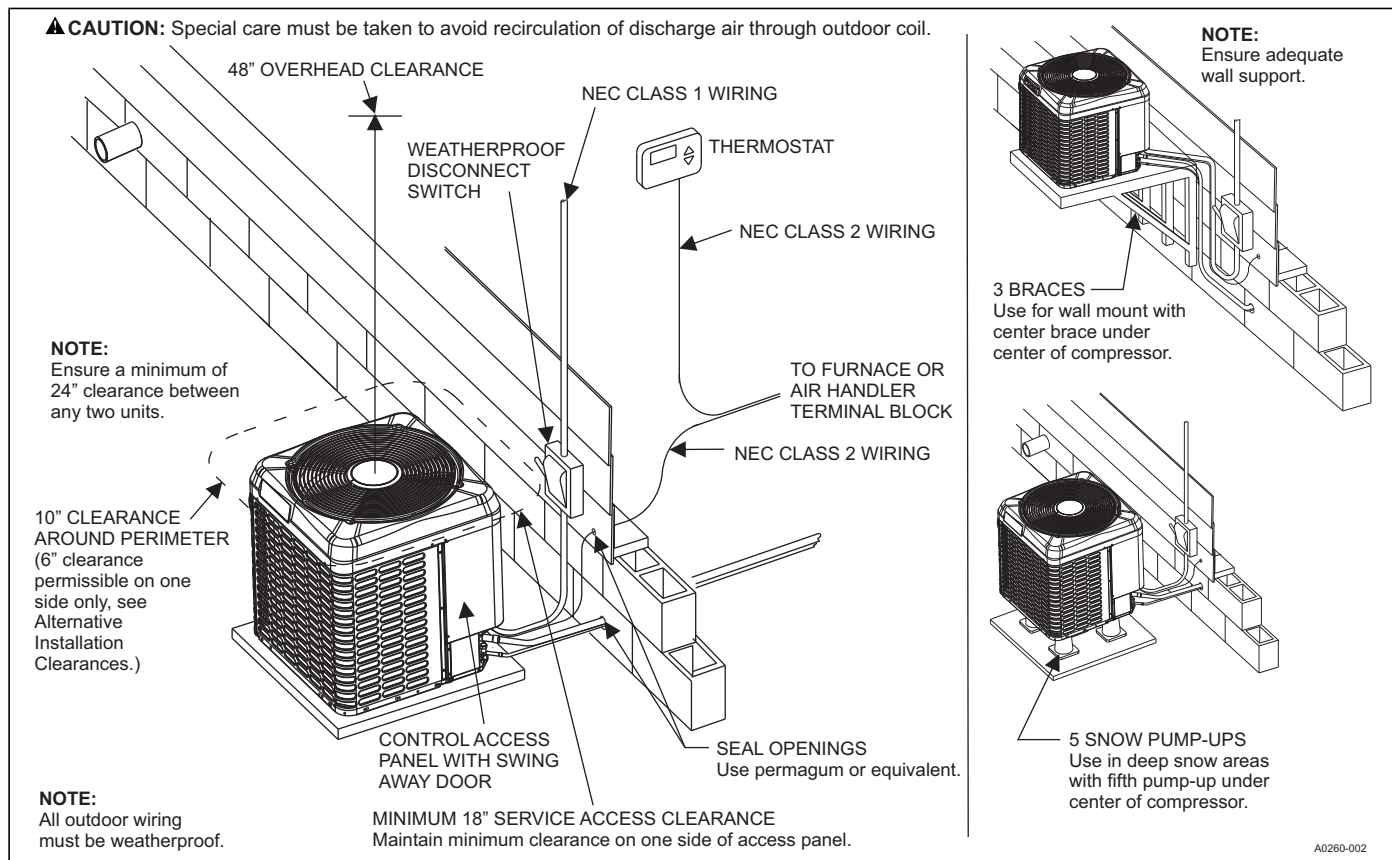
UNIT COMPONENTS

- Compressor shall be hermetic with internal electrical overload protection and internal overpressure protection.
- Compressor shall be mounted on rubber vibration isolators that do not require the removal of transportation clips or brackets.
- Units shall be constructed with internally sprung reciprocating compressors for low vibration.
- Outdoor fan shall be direct drive with vertical air discharge for low sound levels.
- Outdoor fan motor shall be totally enclosed with permanently lubricated ball bearings motors approved for vertical shaft applications.
- Outdoor coil shall be air cooled and constructed of zinc-coated aluminum microchannel construction for small size and low weight.

UNIT WARRANTIES

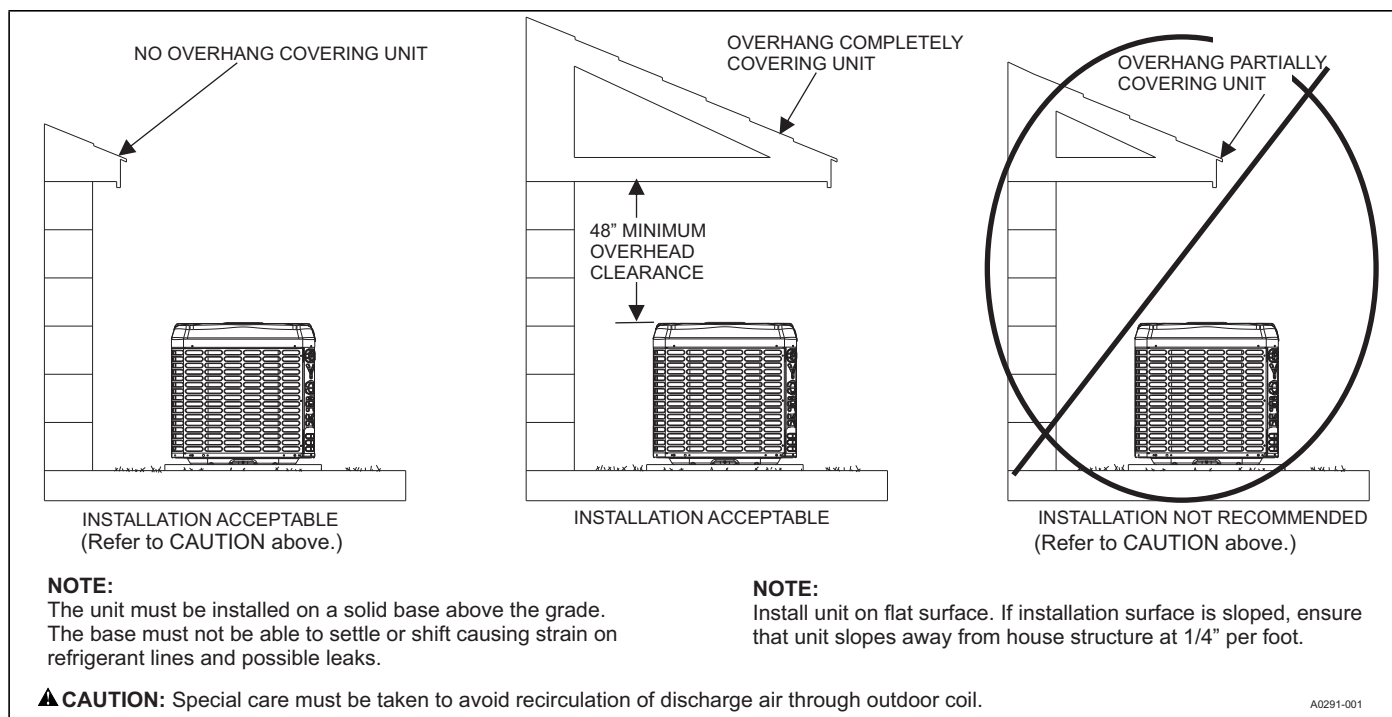
- Unit manufacturer shall provide a 10-Year compressor warranty without a requirement for unit registration.
- Unit manufacturer shall provide a 5-Year parts warranty without a requirement for unit registration.

TYPICAL INSTALLATION

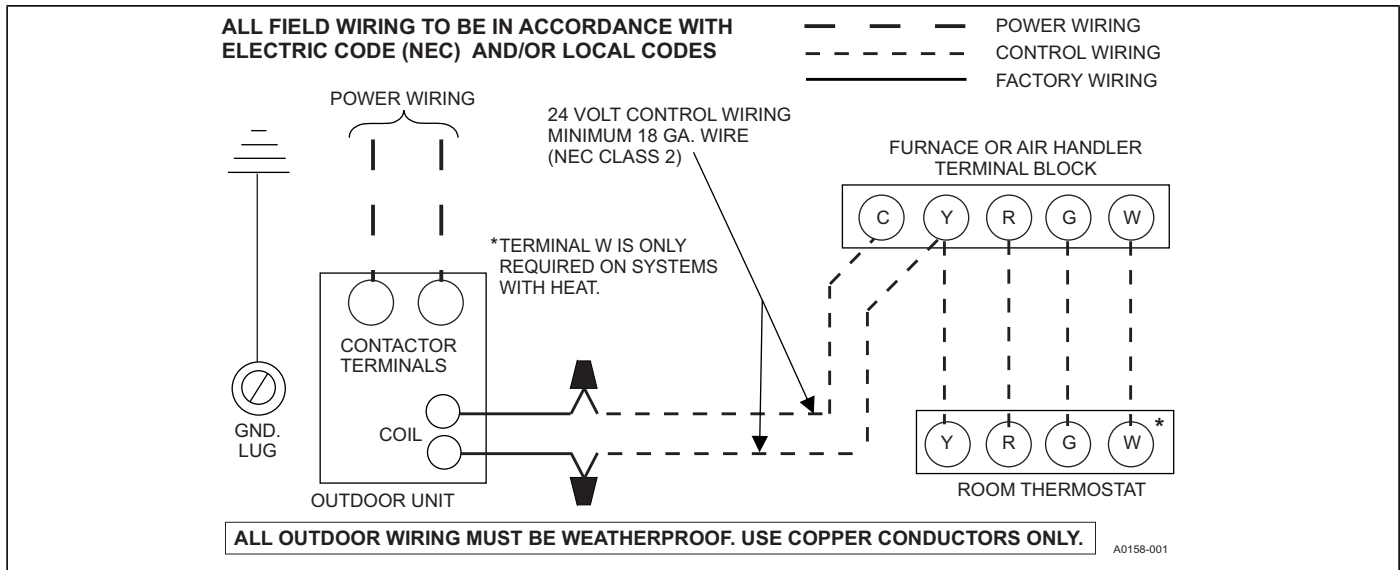


▲ CAUTION

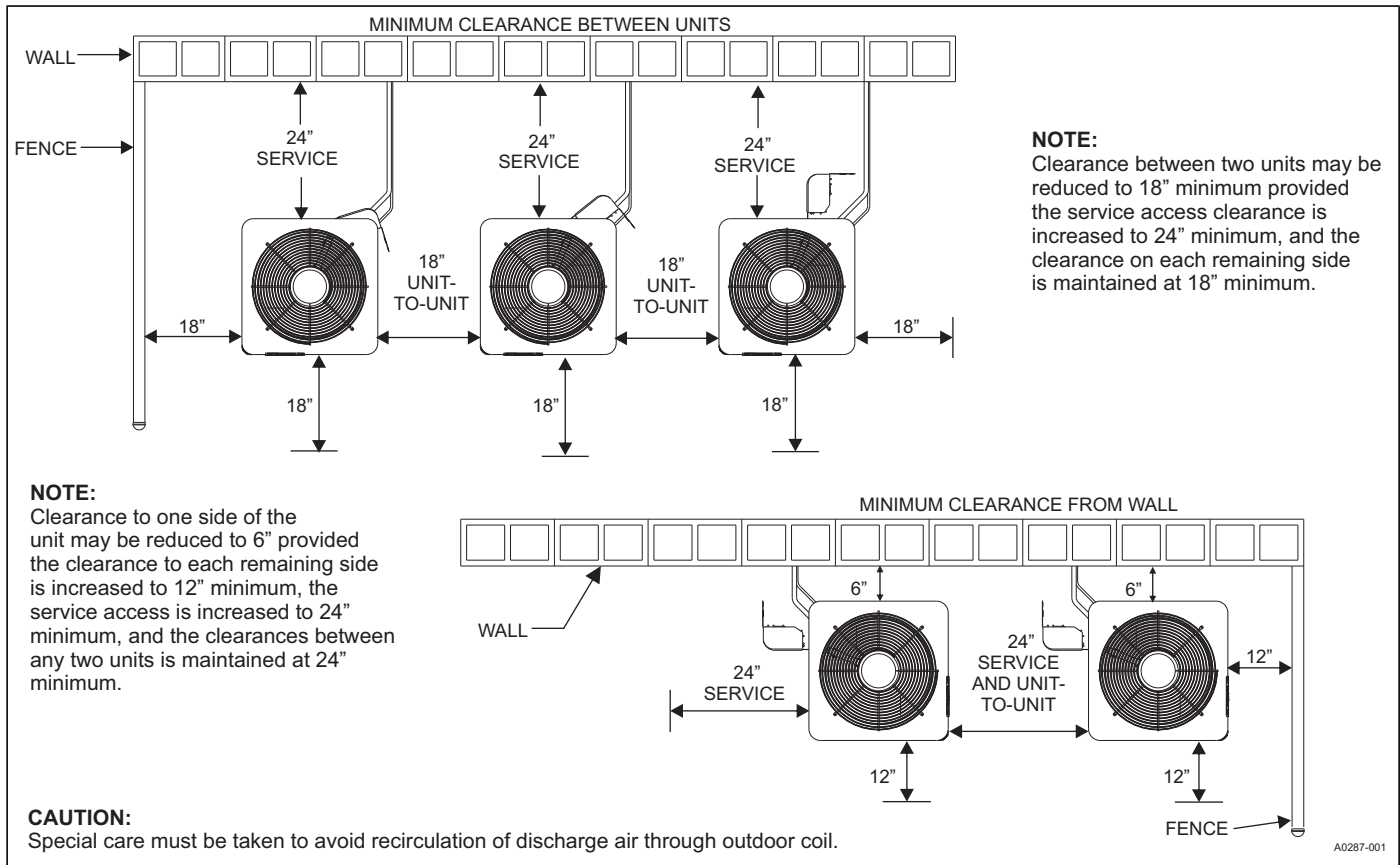
Care must be taken to prevent ice from damaging the unit. Damage may occur from ice falling onto unit from a sloped roof or from a vertical drip line due to a partial overhang.



TYPICAL FIELD WIRING



ALTERNATIVE INSTALLATION CLEARANCES



PERFORMANCE DATA - 1.5 TON

| CONDENSER-ONLY DATA (OUTDOOR UNIT) | | | | | | | | | | | | | | | | | | |
|------------------------------------|-----------------------------------|----------|-----------------------------|------|-------|------|-------|------|-------|------|-------|------|--------|------|--------|------|--------|------|
| MODEL | SATURATED SUCTION @ COMPRESSOR | | Outdoor Ambient Temperature | | | | | | | | | | | | | | | |
| | | | 55 °F | | 65 °F | | 75 °F | | 85 °F | | 95 °F | | 105 °F | | 115 °F | | 125 °F | |
| | T (°F) | P (PSIG) | MBH | KW | MBH | KW | MBH | KW | MBH | KW | MBH | KW | MBH | KW | MBH | KW | MBH | KW |
| TC4B1822S | 35 | 107 | 15.8 | 1.00 | 14.9 | 1.13 | 14.1 | 1.25 | 13.2 | 1.38 | 12.3 | 1.52 | 11.4 | 1.69 | 10.4 | 1.88 | 9.3 | 2.11 |
| | 40 | 118 | 17.5 | 0.99 | 16.5 | 1.11 | 15.6 | 1.23 | 14.7 | 1.36 | 13.7 | 1.50 | 12.7 | 1.67 | 11.6 | 1.87 | 10.5 | 2.10 |
| | 45 | 130 | 19.3 | 0.97 | 18.3 | 1.10 | 17.3 | 1.22 | 16.3 | 1.35 | 15.2 | 1.49 | 14.1 | 1.66 | 12.9 | 1.86 | 11.7 | 2.09 |
| | 50 | 142 | 21.3 | 0.96 | 20.2 | 1.08 | 19.1 | 1.20 | 18.0 | 1.33 | 16.8 | 1.47 | 15.6 | 1.64 | 14.3 | 1.84 | 13.0 | 2.07 |
| | 55 | 156 | 23.4 | 0.94 | 22.2 | 1.06 | 21.0 | 1.18 | 19.8 | 1.30 | 18.6 | 1.45 | 17.2 | 1.61 | 15.9 | 1.82 | 14.4 | 2.05 |

Notes:

- For Outdoor Unit (Condenser) performance only. Data does not include the effects of air handler power or heat.
- Performance based on 15°F subcooling and 15°F superheat at the Outdoor Unit base valves.
 - Increase capacity by 1% for each 2°F increase in subcooling.
 - Decrease capacity by 1% for each 2°F decrease in subcooling.
- Maximum recommended condensing temperature is 140°F.

| COOLING PERFORMANCE DATA | | | | | | | | | | | | | | | | | |
|--|------------|-----------|------|------|------|------|------|------|------|------|------|------|------|------|------|------|--|
| OUTDOOR UNIT MODEL NO. | | TC4B1822S | | | | | | | | | | | | | | | |
| INDOOR COIL MODEL NO. | | CF18AXA1 | | | | | | | | | | | | | | | |
| AIR TEMP. ENTERING OUTDOOR UNIT (°F) | ID CFM | 450 | | | | | 600 | | | | | 750 | | | | | |
| | ID DB (°F) | 80 | 80 | 75 | 80 | 80 | 80 | 80 | 75 | 80 | 80 | 80 | 80 | 75 | 80 | 80 | |
| | ID WB (°F) | 57 | 62 | 62 | 67 | 72 | 57 | 62 | 62 | 67 | 72 | 57 | 62 | 62 | 67 | 72 | |
| 55 | T.C. | 15.7 | 17.2 | 17.5 | 19.1 | 21.2 | 17.5 | 18.3 | 18.6 | 20.2 | 22.1 | 19.3 | 19.5 | 19.7 | 21.3 | 23.0 | |
| | S.C. | 15.0 | 13.2 | 11.5 | 11.3 | 9.3 | 16.9 | 16.0 | 13.7 | 13.4 | 10.8 | 18.8 | 18.8 | 15.9 | 15.5 | 12.3 | |
| | KW | 0.90 | 0.89 | 0.89 | 0.88 | 0.88 | 0.96 | 0.96 | 0.96 | 0.95 | 0.94 | 1.02 | 1.02 | 1.03 | 1.02 | 1.01 | |
| 65 | T.C. | 15.2 | 16.6 | 16.7 | 18.4 | 20.4 | 17.0 | 17.7 | 17.7 | 19.5 | 21.3 | 18.7 | 18.8 | 18.8 | 20.5 | 22.1 | |
| | S.C. | 14.6 | 13.0 | 11.1 | 11.1 | 8.9 | 16.4 | 15.6 | 13.2 | 13.2 | 10.3 | 18.3 | 18.2 | 15.4 | 15.3 | 11.6 | |
| | KW | 0.99 | 0.99 | 1.00 | 0.99 | 0.98 | 1.06 | 1.06 | 1.06 | 1.05 | 1.04 | 1.12 | 1.12 | 1.13 | 1.12 | 1.11 | |
| 75 | T.C. | 14.7 | 16.0 | 15.8 | 17.8 | 19.5 | 16.4 | 17.1 | 16.8 | 18.7 | 20.4 | 18.1 | 18.1 | 17.9 | 19.6 | 21.3 | |
| | S.C. | 14.3 | 12.8 | 10.6 | 10.9 | 8.5 | 16.0 | 15.2 | 12.8 | 13.0 | 9.8 | 17.7 | 17.6 | 15.0 | 15.1 | 11.0 | |
| | KW | 1.09 | 1.10 | 1.10 | 1.09 | 1.08 | 1.15 | 1.16 | 1.16 | 1.16 | 1.14 | 1.22 | 1.22 | 1.23 | 1.22 | 1.21 | |
| 85 | T.C. | 14.1 | 15.2 | 16.6 | 16.9 | 18.8 | 15.7 | 16.3 | 16.8 | 17.9 | 19.6 | 17.4 | 17.3 | 17.0 | 18.9 | 20.5 | |
| | S.C. | 13.6 | 12.4 | 11.4 | 10.5 | 8.3 | 15.3 | 14.7 | 13.0 | 12.6 | 9.6 | 17.0 | 17.0 | 14.6 | 14.8 | 10.9 | |
| | KW | 1.23 | 1.24 | 1.24 | 1.23 | 1.21 | 1.29 | 1.29 | 1.30 | 1.29 | 1.28 | 1.35 | 1.35 | 1.36 | 1.36 | 1.34 | |
| 95 | T.C. | 13.4 | 14.4 | 17.5 | 16.1 | 18.1 | 15.1 | 15.5 | 16.8 | 17.1 | 18.9 | 16.7 | 16.5 | 16.1 | 18.1 | 19.7 | |
| | S.C. | 13.0 | 12.0 | 12.1 | 10.1 | 8.2 | 14.7 | 14.2 | 13.2 | 12.3 | 9.5 | 16.3 | 16.4 | 14.2 | 14.5 | 10.8 | |
| | KW | 1.37 | 1.38 | 1.39 | 1.36 | 1.34 | 1.43 | 1.43 | 1.44 | 1.43 | 1.41 | 1.48 | 1.49 | 1.50 | 1.49 | 1.48 | |
| 105 | T.C. | 12.5 | 13.3 | 15.3 | 14.8 | 16.7 | 14.1 | 14.4 | 15.1 | 15.7 | 17.4 | 15.7 | 15.4 | 14.8 | 16.7 | 18.2 | |
| | S.C. | 12.2 | 11.5 | 11.0 | 9.6 | 7.6 | 13.7 | 13.4 | 12.2 | 11.7 | 8.9 | 15.3 | 15.3 | 13.4 | 13.9 | 10.2 | |
| | KW | 1.64 | 1.66 | 1.67 | 1.66 | 1.61 | 1.68 | 1.70 | 1.72 | 1.70 | 1.67 | 1.72 | 1.74 | 1.77 | 1.74 | 1.73 | |
| 115 | T.C. | 11.6 | 12.2 | 13.2 | 13.6 | 15.3 | 13.2 | 13.3 | 13.4 | 14.4 | 16.0 | 14.7 | 14.3 | 13.5 | 15.3 | 16.7 | |
| | S.C. | 11.4 | 11.1 | 9.9 | 9.1 | 7.1 | 12.9 | 12.6 | 11.3 | 11.2 | 8.3 | 14.3 | 14.2 | 12.7 | 13.3 | 9.6 | |
| | KW | 1.91 | 1.94 | 1.94 | 1.94 | 1.88 | 1.93 | 1.97 | 1.99 | 1.97 | 1.92 | 1.96 | 1.99 | 2.04 | 1.99 | 1.97 | |
| 125 | T.C. | 10.7 | 11.2 | 11.1 | 12.4 | 14.0 | 12.2 | 12.2 | 11.7 | 13.1 | 14.6 | 13.7 | 13.2 | 12.3 | 13.8 | 15.3 | |
| | S.C. | 10.7 | 10.6 | 8.7 | 8.6 | 6.5 | 12.0 | 11.9 | 10.3 | 10.6 | 7.8 | 13.3 | 13.2 | 11.9 | 12.7 | 9.0 | |
| | KW | 2.17 | 2.22 | 2.21 | 2.23 | 2.14 | 2.19 | 2.23 | 2.26 | 2.23 | 2.17 | 2.20 | 2.24 | 2.30 | 2.24 | 2.20 | |

NOTE: ALL CAPACITIES INCLUDE INDOOR FAN HEAT. KW VALUES ARE FOR THE SYSTEM (OUTDOOR + INDOOR).

Green shaded cells are ACCA (TVA) conditions.

Blue shaded cells are AHRI conditions.

Multipliers for determining the performance with other indoor sections.

NOTE: For dry bulb temperatures different than those listed (between 73-87 °F), sensible capacity increases by 1060 BTUH per 1000 CFM per degree above the listed temperature and decreases by 1060 BTUH per 1000 CFM per degree below the listed temperature.

COIL MULTIPLIERS- 1.5 TON

| Air Handler | Coil | T.C. | S.C. | KW |
|-------------|-------------|------|------|------|
| – | CF/CM/CU18A | 1.00 | 1.00 | 1.00 |
| – | CF/CM/CU18B | 1.00 | 1.12 | 1.00 |
| – | CF/CM/CU24A | 1.02 | 1.09 | 1.02 |
| – | CF/CM/CU24B | 1.02 | 1.09 | 1.02 |
| – | CF/CM/CU30A | 1.04 | 1.07 | 1.01 |
| – | CF/CM/CU30B | 1.04 | 1.07 | 1.01 |
| – | CF/CM/CU36B | 1.04 | 1.05 | 1.02 |
| – | CF/CM/CU36C | 1.04 | 1.05 | 1.02 |
| – | CF/CM24C | 1.02 | 1.09 | 1.02 |
| – | CF/CM30C | 1.04 | 1.07 | 1.01 |
| – | CF/CM36D | 1.04 | 1.05 | 1.02 |
| AE18BX21 | – | 1.05 | 1.09 | 0.95 |
| AE24BX21 | – | 1.05 | 1.07 | 0.95 |
| AE30BX21 | – | 1.05 | 1.05 | 0.95 |
| AE36CX21 | – | 1.05 | 1.06 | 0.95 |
| AP18BX21 | – | 1.03 | 1.12 | 1.01 |
| AP24BX21 | – | 1.04 | 1.14 | 1.01 |
| AVC18BX21 | – | 1.05 | 1.09 | 0.95 |
| AVC24BX21 | – | 1.05 | 1.07 | 0.95 |
| AVC30BX21 | – | 1.05 | 1.09 | 0.95 |
| ME08BN21 | CF/CM18B | 1.04 | 1.07 | 0.94 |
| ME08BN21 | CF/CM24B | 1.04 | 1.06 | 0.94 |
| ME08BN21 | CF/CM30B | 1.05 | 1.05 | 0.95 |
| ME08BN21 | CF/CM36B | 1.05 | 1.02 | 0.95 |
| ME12BN21 | CF/CM18B | 1.05 | 1.11 | 0.95 |
| ME12BN21 | CF/CM24B | 1.05 | 1.12 | 0.95 |
| ME12BN21 | CF/CM30B | 1.05 | 1.09 | 0.95 |
| ME12BN21 | CF/CM36B | 1.05 | 1.09 | 0.95 |
| ME12CN21 | CF/CM24C | 1.05 | 1.06 | 0.95 |
| ME12CN21 | CF/CM30C | 1.05 | 1.05 | 0.95 |
| ME12CN21 | CF/CM36C | 1.05 | 1.04 | 0.95 |
| MVC08BN21 | CF/CM18B | 1.05 | 1.09 | 0.95 |
| MVC08BN21 | CF/CM24B | 1.05 | 1.10 | 0.95 |
| MVC08BN21 | CF/CM30B | 1.05 | 1.07 | 0.95 |
| MVC08BN21 | CF/CM36B | 1.05 | 1.07 | 0.95 |
| MVC12CN21 | CF/CM24C | 1.05 | 1.10 | 0.95 |
| MVC12CN21 | CF/CM30C | 1.05 | 1.08 | 0.95 |
| MVC12CN21 | CF/CM36C | 1.05 | 1.06 | 0.95 |

FURNACE MULTIPLIERS- 1.5 TON

| Furnaces | Coil | T.C. | S.C. | KW |
|-----------------|-------------|------|------|------|
| TL8E060A12UH11 | CF/CM/CU18A | 1.04 | 1.16 | 0.96 |
| TL8E060A12UH11 | CF/CM/CU18B | 1.04 | 1.19 | 0.94 |
| TL8E060A12UH11 | CF/CM/CU24A | 1.04 | 1.15 | 0.94 |
| TL8E060A12UH11 | CF/CM/CU24B | 1.04 | 1.25 | 0.94 |
| TL8E060A12UH11 | CF/CM/CU30A | 1.04 | 1.15 | 0.94 |
| TL8E060A12UH11 | CF/CM/CU30B | 1.05 | 1.23 | 0.95 |
| TL8E060A12UH11 | CF/CM/CU36B | 1.05 | 1.22 | 0.95 |
| TL8E060A12UH11 | CF/CM36A | 1.05 | 1.20 | 0.95 |
| TL9E060B12UH11 | CF/CM/CU18B | 1.03 | 1.19 | 0.95 |
| TL9E060B12UH11 | CF/CM/CU24B | 1.04 | 1.20 | 0.94 |
| TL9E060B12UH11 | CF/CM/CU30B | 1.05 | 1.20 | 0.95 |
| TL9E060B12UH11 | CF/CM/CU36B | 1.05 | 1.19 | 0.95 |
| TL9E060B12UH11 | CF/CM/CU36C | 1.05 | 1.22 | 0.95 |
| TL9E060B12UH11 | CF/CM24C | 1.04 | 1.20 | 0.94 |
| TL9E060B12UH11 | CF/CM30C | 1.05 | 1.23 | 0.95 |
| TM8E040A12MP11 | CF/CM/CU18A | 1.04 | 1.19 | 0.94 |
| TM8E040A12MP11 | CF/CM/CU18B | 1.04 | 1.21 | 0.96 |
| TM8E040A12MP11 | CF/CM/CU24A | 1.04 | 1.20 | 0.94 |
| TM8E040A12MP11 | CF/CM/CU24B | 1.04 | 1.24 | 0.94 |
| TM8E040A12MP11 | CF/CM/CU30A | 1.04 | 1.17 | 0.94 |
| TM8E040A12MP11 | CF/CM/CU30B | 1.04 | 1.20 | 0.94 |
| TM8E040A12MP11 | CF/CM/CU36B | 1.05 | 1.22 | 0.95 |
| TM8E040A12MP11 | CF/CM36A | 1.05 | 1.25 | 0.95 |
| TM8E060A12MP11 | CF/CM/CU30A | 1.04 | 1.24 | 0.94 |
| TM8E060A12MP11 | CF/CM36A | 1.05 | 1.25 | 0.95 |
| TM8E080B12MP11 | CF/CM/CU30B | 1.04 | 1.24 | 0.94 |
| TM8E080B12MP11 | CF/CM/CU36B | 1.05 | 1.25 | 0.95 |
| TM8E100B12MP11 | CF/CM/CU18B | 1.03 | 1.24 | 0.93 |
| TM8E100B12MP11 | CF/CM/CU30B | 1.04 | 1.24 | 0.94 |
| TM8E100B12MP11 | CF/CM/CU36B | 1.05 | 1.25 | 0.95 |
| TM8E100B12MP11 | CF/CM/CU36C | 1.05 | 1.24 | 0.95 |
| TM8E100B12MP11 | CF/CM30C | 1.04 | 1.24 | 0.94 |
| TM8V060A12MP11C | CF/CM/CU18A | 1.05 | 1.18 | 0.95 |
| TM8V060A12MP11C | CF/CM/CU18B | 1.05 | 1.18 | 0.95 |
| TM8V060A12MP11C | CF/CM/CU24A | 1.05 | 1.20 | 0.95 |
| TM8V060A12MP11C | CF/CM/CU24B | 1.05 | 1.19 | 0.95 |
| TM8V060A12MP11C | CF/CM/CU30A | 1.05 | 1.18 | 0.95 |
| TM8V060A12MP11C | CF/CM/CU30B | 1.05 | 1.18 | 0.95 |
| TM8V060A12MP11C | CF/CM/CU36B | 1.05 | 1.20 | 0.95 |
| TM8V060A12MP11C | CF/CM36A | 1.05 | 1.20 | 0.95 |
| TM8V060A12MP12C | CF/CM/CU18A | 1.05 | 1.18 | 0.95 |
| TM8V060A12MP12C | CF/CM/CU18B | 1.05 | 1.18 | 0.95 |
| TM8V060A12MP12C | CF/CM/CU24A | 1.05 | 1.20 | 0.95 |
| TM8V060A12MP12C | CF/CM/CU24B | 1.05 | 1.19 | 0.95 |
| TM8V060A12MP12C | CF/CM/CU30A | 1.05 | 1.18 | 0.95 |
| TM8V060A12MP12C | CF/CM/CU30B | 1.05 | 1.18 | 0.95 |
| TM8V060A12MP12C | CF/CM/CU36B | 1.05 | 1.20 | 0.95 |
| TM8V060A12MP12C | CF/CM36A | 1.05 | 1.20 | 0.95 |
| TM8V080B12MP11C | CF/CM/CU18B | 1.04 | 1.17 | 0.94 |
| TM8V080B12MP11C | CF/CM/CU24B | 1.05 | 1.20 | 0.95 |
| TM8V080B12MP11C | CF/CM/CU30B | 1.05 | 1.18 | 0.95 |
| TM8V080B12MP11C | CF/CM/CU36B | 1.05 | 1.20 | 0.95 |
| TM8V080B12MP11C | CF/CM/CU36C | 1.05 | 1.22 | 0.95 |
| TM8V080B12MP11C | CF/CM24C | 1.05 | 1.20 | 0.95 |
| TM8V080B12MP11C | CF/CM30C | 1.05 | 1.21 | 0.95 |

FURNACE MULTIPLIERS- 1.5 TON (Continued)

| Furnaces | Coil | T.C. | S.C. | KW |
|-----------------|-------------|------|------|------|
| TM8V080B12MP12C | CF/CM/CU18B | 1.04 | 1.17 | 0.94 |
| TM8V080B12MP12C | CF/CM/CU24B | 1.05 | 1.20 | 0.95 |
| TM8V080B12MP12C | CF/CM/CU30B | 1.05 | 1.18 | 0.95 |
| TM8V080B12MP12C | CF/CM/CU36B | 1.05 | 1.20 | 0.95 |
| TM8V080B12MP12C | CF/CM/CU36C | 1.05 | 1.22 | 0.95 |
| TM8V080B12MP12C | CF/CM/24C | 1.05 | 1.20 | 0.95 |
| TM8V080B12MP12C | CF/CM/30C | 1.05 | 1.21 | 0.95 |
| TM8X060A12MP11 | CF/CM/CU18A | 1.05 | 1.18 | 0.95 |
| TM8X060A12MP11 | CF/CM/CU18B | 1.05 | 1.20 | 0.95 |
| TM8X060A12MP11 | CF/CM/CU24A | 1.05 | 1.20 | 0.95 |
| TM8X060A12MP11 | CF/CM/CU24B | 1.05 | 1.21 | 0.95 |
| TM8X060A12MP11 | CF/CM/CU30A | 1.05 | 1.18 | 0.95 |
| TM8X060A12MP11 | CF/CM/CU30B | 1.05 | 1.20 | 0.95 |
| TM8X060A12MP11 | CF/CM/CU36B | 1.05 | 1.19 | 0.95 |
| TM8X060A12MP11 | CF/CM/36A | 1.05 | 1.20 | 0.95 |
| TM8X080B12MP11 | CF/CM/CU18B | 1.05 | 1.23 | 0.95 |
| TM8X080B12MP11 | CF/CM/CU24B | 1.05 | 1.24 | 0.95 |
| TM8X080B12MP11 | CF/CM/CU30B | 1.05 | 1.21 | 0.95 |
| TM8X080B12MP11 | CF/CM/CU36B | 1.05 | 1.22 | 0.95 |
| TM8X080B12MP11 | CF/CM/24C | 1.05 | 1.24 | 0.95 |
| TM8X080B12MP11 | CF/CM/30C | 1.05 | 1.21 | 0.95 |
| TM8Y060A12MP11 | CF/CM/CU18A | 1.05 | 1.18 | 0.95 |
| TM8Y060A12MP11 | CF/CM/CU18B | 1.05 | 1.20 | 0.95 |
| TM8Y060A12MP11 | CF/CM/CU24A | 1.05 | 1.20 | 0.95 |
| TM8Y060A12MP11 | CF/CM/CU24B | 1.05 | 1.21 | 0.95 |
| TM8Y060A12MP11 | CF/CM/CU30A | 1.05 | 1.18 | 0.95 |
| TM8Y060A12MP11 | CF/CM/CU30B | 1.05 | 1.20 | 0.95 |
| TM8Y060A12MP11 | CF/CM/CU36B | 1.05 | 1.19 | 0.95 |
| TM8Y060A12MP11 | CF/CM/36A | 1.05 | 1.20 | 0.95 |
| TM8Y080B12MP11 | CF/CM/CU18B | 1.05 | 1.23 | 0.95 |
| TM8Y080B12MP11 | CF/CM/CU24B | 1.05 | 1.24 | 0.95 |
| TM8Y080B12MP11 | CF/CM/CU30B | 1.05 | 1.21 | 0.95 |
| TM8Y080B12MP11 | CF/CM/CU36B | 1.05 | 1.22 | 0.95 |
| TM8Y080B12MP11 | CF/CM/24C | 1.05 | 1.24 | 0.95 |
| TM8Y080B12MP11 | CF/CM/30C | 1.05 | 1.21 | 0.95 |
| TM9E040A10MP11 | CF/CM/CU18A | 1.04 | 1.21 | 1.00 |
| TM9E040A10MP11 | CF/CM/CU18B | 1.02 | 1.07 | 0.94 |
| TM9E040A10MP11 | CF/CM/CU24A | 1.05 | 1.23 | 1.00 |
| TM9E040A10MP11 | CF/CM/CU24B | 1.02 | 1.08 | 0.94 |
| TM9E040A10MP11 | CF/CM/CU30A | 1.05 | 1.21 | 0.99 |
| TM9E040A10MP11 | CF/CM/CU30B | 1.03 | 1.08 | 0.95 |
| TM9E040A10MP11 | CF/CM/CU36B | 1.04 | 1.09 | 0.96 |
| TM9E040A10MP11 | CF/CM/36A | 1.05 | 1.21 | 0.99 |
| TM9E040A10MP12 | CF/CM/CU18A | 1.03 | 1.15 | 0.99 |
| TM9E040A10MP12 | CF/CM/CU18B | 1.03 | 1.15 | 0.99 |
| TM9E040A10MP12 | CF/CM/CU24A | 1.03 | 1.14 | 0.97 |
| TM9E040A10MP12 | CF/CM/CU24B | 1.03 | 1.17 | 0.97 |
| TM9E040A10MP12 | CF/CM/CU30A | 1.04 | 1.15 | 0.96 |
| TM9E040A10MP12 | CF/CM/CU30B | 1.04 | 1.18 | 0.96 |
| TM9E040A10MP12 | CF/CM/CU36B | 1.05 | 1.20 | 0.95 |
| TM9E040A10MP12 | CF/CM/36A | 1.05 | 1.22 | 0.97 |
| TM9E060A10MP12 | CF/CM/CU18A | 1.02 | 1.20 | 0.96 |
| TM9E060A10MP12 | CF/CM/CU18B | 1.02 | 1.23 | 0.96 |
| TM9E060A10MP12 | CF/CM/CU24A | 1.02 | 1.20 | 0.94 |
| TM9E060A10MP12 | CF/CM/CU24B | 1.02 | 1.23 | 0.94 |

FURNACE MULTIPLIERS- 1.5 TON (Continued)

| Furnaces | Coil | T.C. | S.C. | KW |
|-----------------|-------------|------|------|------|
| TM9E060A10MP12 | CF/CM/CU30A | 1.04 | 1.20 | 0.94 |
| TM9E060A10MP12 | CF/CM/CU30B | 1.05 | 1.24 | 0.95 |
| TM9E060A10MP12 | CF/CM/CU36B | 1.05 | 1.22 | 0.95 |
| TM9E060A10MP12 | CF/CM/36A | 1.05 | 1.22 | 0.95 |
| TM9E060B12MP11 | CF/CM/CU18B | 1.05 | 1.23 | 0.95 |
| TM9E060B12MP11 | CF/CM/CU24B | 1.05 | 1.24 | 0.95 |
| TM9E060B12MP11 | CF/CM/CU30B | 1.05 | 1.21 | 0.95 |
| TM9E060B12MP11 | CF/CM/CU36B | 1.05 | 1.22 | 0.95 |
| TM9E060B12MP11 | CF/CM/24C | 1.05 | 1.24 | 0.95 |
| TM9E060B12MP11 | CF/CM/30C | 1.05 | 1.21 | 0.95 |
| TM9E080C16MP11 | CF/CM/CU36C | 1.05 | 1.15 | 0.95 |
| TM9E080C16MP11 | CF/CM/24C | 1.05 | 1.17 | 0.95 |
| TM9E080C16MP11 | CF/CM/30C | 1.05 | 1.16 | 0.95 |
| TM9E080C16MP11 | CF/CM/36D | 1.05 | 1.15 | 0.95 |
| TM9E100C16MP11 | CF/CM/CU36C | 1.05 | 1.19 | 0.95 |
| TM9E100C16MP11 | CF/CM/24C | 1.05 | 1.19 | 0.95 |
| TM9E100C16MP11 | CF/CM/30C | 1.05 | 1.19 | 0.95 |
| TM9E100C16MP11 | CF/CM/36D | 1.05 | 1.19 | 0.95 |
| TM9V040A10MP12C | CF/CM/CU18A | 1.02 | 1.07 | 0.96 |
| TM9V040A10MP12C | CF/CM/CU18B | 1.02 | 1.07 | 0.94 |
| TM9V040A10MP12C | CF/CM/CU24A | 1.02 | 1.08 | 0.94 |
| TM9V040A10MP12C | CF/CM/CU24B | 1.05 | 1.19 | 0.97 |
| TM9V040A10MP12C | CF/CM/CU30A | 1.03 | 1.08 | 0.95 |
| TM9V040A10MP12C | CF/CM/CU30B | 1.05 | 1.19 | 0.95 |
| TM9V040A10MP12C | CF/CM/CU36B | 1.05 | 1.20 | 0.95 |
| TM9V040A10MP12C | CF/CM/36A | 1.05 | 1.20 | 0.97 |
| TM9V060B12MP12C | CF/CM/CU18B | 1.04 | 1.16 | 0.96 |
| TM9V060B12MP12C | CF/CM/CU24B | 1.05 | 1.16 | 0.95 |
| TM9V060B12MP12C | CF/CM/CU30B | 1.05 | 1.16 | 0.95 |
| TM9V060B12MP12C | CF/CM/CU36B | 1.05 | 1.15 | 0.95 |
| TM9V060B12MP12C | CF/CM/CU36C | 1.05 | 1.15 | 0.95 |
| TM9V060B12MP12C | CF/CM/24C | 1.05 | 1.16 | 0.95 |
| TM9V060B12MP12C | CF/CM/30C | 1.05 | 1.16 | 0.95 |
| TM9V080B12MP11C | CF/CM/CU18B | 1.05 | 1.18 | 0.95 |
| TM9V080B12MP11C | CF/CM/CU24B | 1.05 | 1.24 | 0.95 |
| TM9V080B12MP11C | CF/CM/CU30B | 1.05 | 1.21 | 0.95 |
| TM9V080B12MP11C | CF/CM/CU36B | 1.05 | 1.22 | 0.95 |
| TM9V080B12MP11C | CF/CM/CU36C | 1.05 | 1.22 | 0.95 |
| TM9V080B12MP11C | CF/CM/24C | 1.05 | 1.24 | 0.95 |
| TM9V080B12MP11C | CF/CM/30C | 1.05 | 1.21 | 0.95 |
| TM9V080B12MP12C | CF/CM/CU18B | 1.05 | 1.18 | 0.95 |
| TM9V080B12MP12C | CF/CM/CU24B | 1.05 | 1.24 | 0.95 |
| TM9V080B12MP12C | CF/CM/CU30B | 1.05 | 1.21 | 0.95 |
| TM9V080B12MP12C | CF/CM/CU36B | 1.05 | 1.22 | 0.95 |
| TM9V080B12MP12C | CF/CM/CU36C | 1.05 | 1.22 | 0.95 |
| TM9V080B12MP12C | CF/CM/24C | 1.05 | 1.24 | 0.95 |
| TM9V080B12MP12C | CF/CM/30C | 1.05 | 1.21 | 0.95 |
| TM9Y040A10MP11 | CF/CM/CU18A | 1.04 | 1.21 | 1.00 |
| TM9Y040A10MP11 | CF/CM/CU18B | 1.02 | 1.07 | 0.94 |
| TM9Y040A10MP11 | CF/CM/CU24A | 1.05 | 1.23 | 1.00 |
| TM9Y040A10MP11 | CF/CM/CU24B | 1.02 | 1.08 | 0.94 |
| TM9Y040A10MP11 | CF/CM/CU30A | 1.05 | 1.21 | 0.99 |
| TM9Y040A10MP11 | CF/CM/CU30B | 1.03 | 1.08 | 0.95 |
| TM9Y040A10MP11 | CF/CM/CU36B | 1.04 | 1.09 | 0.96 |
| TM9Y040A10MP11 | CF/CM/36A | 1.05 | 1.21 | 0.99 |

FURNACE MULTIPLIERS- 1.5 TON (Continued)

| Furnaces | Coil | T.C. | S.C. | KW |
|-----------------|-------------|------|------|------|
| TM9Y060B12MP11 | CF/CM/CU18B | 1.05 | 1.23 | 0.95 |
| TM9Y060B12MP11 | CF/CM/CU24B | 1.05 | 1.24 | 0.95 |
| TM9Y060B12MP11 | CF/CM/CU30B | 1.05 | 1.21 | 0.95 |
| TM9Y060B12MP11 | CF/CM/CU36B | 1.05 | 1.22 | 0.95 |
| TM9Y060B12MP11 | CF/CM24C | 1.05 | 1.24 | 0.95 |
| TM9Y060B12MP11 | CF/CM30C | 1.05 | 1.21 | 0.95 |
| TM9Y080C16MP11 | CF/CM/CU36C | 1.05 | 1.15 | 0.95 |
| TM9Y080C16MP11 | CF/CM24C | 1.05 | 1.17 | 0.95 |
| TM9Y080C16MP11 | CF/CM30C | 1.05 | 1.16 | 0.95 |
| TM9Y080C16MP11 | CF/CM36D | 1.05 | 1.15 | 0.95 |
| TM9Y100C16MP11 | CF/CM/CU36C | 1.05 | 1.19 | 0.95 |
| TM9Y100C16MP11 | CF/CM24C | 1.05 | 1.19 | 0.95 |
| TM9Y100C16MP11 | CF/CM30C | 1.05 | 1.19 | 0.95 |
| TM9Y100C16MP11 | CF/CM36D | 1.05 | 1.19 | 0.95 |
| TMLV060A12MP11C | CF/CM/CU18A | 1.05 | 1.18 | 0.95 |
| TMLV060A12MP11C | CF/CM/CU18B | 1.05 | 1.18 | 0.95 |
| TMLV060A12MP11C | CF/CM/CU24A | 1.05 | 1.20 | 0.95 |
| TMLV060A12MP11C | CF/CM/CU24B | 1.05 | 1.19 | 0.95 |
| TMLV060A12MP11C | CF/CM/CU30A | 1.05 | 1.18 | 0.95 |
| TMLV060A12MP11C | CF/CM/CU30B | 1.05 | 1.18 | 0.95 |
| TMLV060A12MP11C | CF/CM/CU36B | 1.05 | 1.20 | 0.95 |
| TMLV060A12MP11C | CF/CM36A | 1.05 | 1.20 | 0.95 |
| TMLV060A12MP12C | CF/CM/CU18A | 1.05 | 1.18 | 0.95 |
| TMLV060A12MP12C | CF/CM/CU18B | 1.05 | 1.18 | 0.95 |
| TMLV060A12MP12C | CF/CM/CU24A | 1.05 | 1.20 | 0.95 |
| TMLV060A12MP12C | CF/CM/CU24B | 1.05 | 1.19 | 0.95 |
| TMLV060A12MP12C | CF/CM/CU30A | 1.05 | 1.18 | 0.95 |
| TMLV060A12MP12C | CF/CM/CU30B | 1.05 | 1.18 | 0.95 |
| TMLV060A12MP12C | CF/CM/CU36B | 1.05 | 1.20 | 0.95 |
| TMLV060A12MP12C | CF/CM36A | 1.05 | 1.20 | 0.95 |
| TMLV080B12MP11C | CF/CM/CU18B | 1.04 | 1.17 | 0.94 |
| TMLV080B12MP11C | CF/CM/CU24B | 1.05 | 1.20 | 0.95 |
| TMLV080B12MP11C | CF/CM/CU30B | 1.05 | 1.18 | 0.95 |
| TMLV080B12MP11C | CF/CM/CU36B | 1.05 | 1.20 | 0.95 |
| TMLV080B12MP11C | CF/CM/CU36C | 1.05 | 1.22 | 0.95 |
| TMLV080B12MP11C | CF/CM24C | 1.05 | 1.20 | 0.95 |
| TMLV080B12MP11C | CF/CM30C | 1.05 | 1.21 | 0.95 |
| TMLV080B12MP12C | CF/CM/CU18B | 1.04 | 1.17 | 0.94 |
| TMLV080B12MP12C | CF/CM/CU24B | 1.05 | 1.20 | 0.95 |
| TMLV080B12MP12C | CF/CM/CU30B | 1.05 | 1.18 | 0.95 |
| TMLV080B12MP12C | CF/CM/CU36B | 1.05 | 1.20 | 0.95 |
| TMLV080B12MP12C | CF/CM/CU36C | 1.05 | 1.22 | 0.95 |
| TMLV080B12MP12C | CF/CM24C | 1.05 | 1.20 | 0.95 |
| TMLV080B12MP12C | CF/CM30C | 1.05 | 1.21 | 0.95 |
| TMLX060A12MP11 | CF/CM/CU18A | 1.05 | 1.18 | 0.95 |
| TMLX060A12MP11 | CF/CM/CU18B | 1.05 | 1.20 | 0.95 |
| TMLX060A12MP11 | CF/CM/CU24A | 1.05 | 1.20 | 0.95 |
| TMLX060A12MP11 | CF/CM/CU24B | 1.05 | 1.21 | 0.95 |
| TMLX060A12MP11 | CF/CM/CU30A | 1.05 | 1.18 | 0.95 |
| TMLX060A12MP11 | CF/CM/CU30B | 1.05 | 1.20 | 0.95 |
| TMLX060A12MP11 | CF/CM/CU36B | 1.05 | 1.19 | 0.95 |
| TMLX060A12MP11 | CF/CM36A | 1.05 | 1.20 | 0.95 |
| TMLX080B12MP11 | CF/CM/CU18B | 1.05 | 1.23 | 0.95 |
| TMLX080B12MP11 | CF/CM/CU24B | 1.05 | 1.24 | 0.95 |
| TMLX080B12MP11 | CF/CM/CU30B | 1.05 | 1.21 | 0.95 |

FURNACE MULTIPLIERS- 1.5 TON (Continued)

| Furnaces | Coil | T.C. | S.C. | KW |
|-----------------|-------------|------|------|------|
| TMLX080B12MP11 | CF/CM/CU36B | 1.05 | 1.22 | 0.95 |
| TMLX080B12MP11 | CF/CM24C | 1.05 | 1.24 | 0.95 |
| TMLX080B12MP11 | CF/CM30C | 1.05 | 1.21 | 0.95 |
| TP9C060B12MP13C | CF/CM/CU18B | 1.04 | 1.16 | 0.96 |
| TP9C060B12MP13C | CF/CM/CU24B | 1.05 | 1.16 | 0.95 |
| TP9C060B12MP13C | CF/CM/CU30B | 1.05 | 1.16 | 0.95 |
| TP9C060B12MP13C | CF/CM/CU36B | 1.05 | 1.15 | 0.95 |
| TP9C060B12MP13C | CF/CM/CU36C | 1.05 | 1.15 | 0.95 |
| TP9C060B12MP13C | CF/CM24C | 1.05 | 1.16 | 0.95 |
| TP9C060B12MP13C | CF/CM30C | 1.05 | 1.16 | 0.95 |
| TP9C080B12MP12C | CF/CM/CU18B | 1.05 | 1.18 | 0.95 |
| TP9C080B12MP12C | CF/CM/CU24B | 1.05 | 1.24 | 0.95 |
| TP9C080B12MP12C | CF/CM/CU30B | 1.05 | 1.21 | 0.95 |
| TP9C080B12MP12C | CF/CM/CU36B | 1.05 | 1.22 | 0.95 |
| TP9C080B12MP12C | CF/CM/CU36C | 1.05 | 1.22 | 0.95 |
| TP9C080B12MP12C | CF/CM24C | 1.05 | 1.24 | 0.95 |
| TP9C080B12MP12C | CF/CM30C | 1.05 | 1.21 | 0.95 |
| TP9C080B12MP13C | CF/CM/CU18B | 1.05 | 1.18 | 0.95 |
| TP9C080B12MP13C | CF/CM/CU24B | 1.05 | 1.24 | 0.95 |
| TP9C080B12MP13C | CF/CM/CU30B | 1.05 | 1.21 | 0.95 |
| TP9C080B12MP13C | CF/CM/CU36B | 1.05 | 1.22 | 0.95 |
| TP9C080B12MP13C | CF/CM/CU36C | 1.05 | 1.22 | 0.95 |
| TP9C080B12MP13C | CF/CM24C | 1.05 | 1.24 | 0.95 |
| TP9C080B12MP13C | CF/CM30C | 1.05 | 1.21 | 0.95 |
| TPLC060A12MP12C | CF/CM/CU18A | 1.05 | 1.18 | 0.95 |
| TPLC060A12MP12C | CF/CM/CU18B | 1.05 | 1.18 | 0.95 |
| TPLC060A12MP12C | CF/CM/CU24A | 1.05 | 1.20 | 0.95 |
| TPLC060A12MP12C | CF/CM/CU24B | 1.05 | 1.19 | 0.95 |
| TPLC060A12MP12C | CF/CM/CU30A | 1.05 | 1.18 | 0.95 |
| TPLC060A12MP12C | CF/CM/CU30B | 1.05 | 1.18 | 0.95 |
| TPLC060A12MP12C | CF/CM/CU36B | 1.05 | 1.20 | 0.95 |
| TPLC060A12MP12C | CF/CM36A | 1.05 | 1.20 | 0.95 |
| TPLC060A12MP13C | CF/CM/CU18A | 1.05 | 1.18 | 0.95 |
| TPLC060A12MP13C | CF/CM/CU18B | 1.05 | 1.18 | 0.95 |
| TPLC060A12MP13C | CF/CM/CU24A | 1.05 | 1.20 | 0.95 |
| TPLC060A12MP13C | CF/CM/CU24B | 1.05 | 1.19 | 0.95 |
| TPLC060A12MP13C | CF/CM/CU30A | 1.05 | 1.18 | 0.95 |
| TPLC060A12MP13C | CF/CM/CU30B | 1.05 | 1.18 | 0.95 |
| TPLC060A12MP13C | CF/CM/CU36B | 1.05 | 1.20 | 0.95 |
| TPLC060A12MP13C | CF/CM36A | 1.05 | 1.20 | 0.95 |
| TPLC080B12MP12C | CF/CM/CU18B | 1.04 | 1.17 | 0.94 |
| TPLC080B12MP12C | CF/CM/CU24B | 1.05 | 1.20 | 0.95 |
| TPLC080B12MP12C | CF/CM/CU30B | 1.05 | 1.18 | 0.95 |
| TPLC080B12MP12C | CF/CM/CU36B | 1.05 | 1.20 | 0.95 |
| TPLC080B12MP12C | CF/CM/CU36C | 1.05 | 1.22 | 0.95 |
| TPLC080B12MP12C | CF/CM24C | 1.05 | 1.20 | 0.95 |
| TPLC080B12MP12C | CF/CM30C | 1.05 | 1.21 | 0.95 |
| TPLC080B12MP13C | CF/CM/CU18B | 1.04 | 1.17 | 0.94 |
| TPLC080B12MP13C | CF/CM/CU24B | 1.05 | 1.20 | 0.95 |
| TPLC080B12MP13C | CF/CM/CU30B | 1.05 | 1.18 | 0.95 |
| TPLC080B12MP13C | CF/CM/CU36B | 1.05 | 1.20 | 0.95 |
| TPLC080B12MP13C | CF/CM/CU36C | 1.05 | 1.22 | 0.95 |
| TPLC080B12MP13C | CF/CM24C | 1.05 | 1.20 | 0.95 |
| TPLC080B12MP13C | CF/CM30C | 1.05 | 1.21 | 0.95 |
| YP9C060B12MP13C | CF/CM/CU18B | 1.04 | 1.16 | 0.96 |

FURNACE MULTIPLIERS- 1.5 TON (Continued)

| Furnaces | Coil | T.C. | S.C. | KW |
|-----------------|-------------|------|------|------|
| YP9C060B12MP13C | CF/CM/CU24B | 1.05 | 1.16 | 0.95 |
| YP9C060B12MP13C | CF/CM/CU30B | 1.05 | 1.16 | 0.95 |
| YP9C060B12MP13C | CF/CM/CU36B | 1.05 | 1.15 | 0.95 |
| YP9C060B12MP13C | CF/CM/CU36C | 1.05 | 1.15 | 0.95 |
| YP9C060B12MP13C | CF/CM24C | 1.05 | 1.16 | 0.95 |
| YP9C060B12MP13C | CF/CM30C | 1.05 | 1.16 | 0.95 |
| YP9C080B12MP12C | CF/CM/CU18B | 1.05 | 1.18 | 0.95 |
| YP9C080B12MP12C | CF/CM/CU24B | 1.05 | 1.24 | 0.95 |
| YP9C080B12MP12C | CF/CM/CU30B | 1.05 | 1.21 | 0.95 |
| YP9C080B12MP12C | CF/CM/CU36B | 1.05 | 1.22 | 0.95 |
| YP9C080B12MP12C | CF/CM/CU36C | 1.05 | 1.22 | 0.95 |
| YP9C080B12MP12C | CF/CM24C | 1.05 | 1.24 | 0.95 |
| YP9C080B12MP12C | CF/CM30C | 1.05 | 1.21 | 0.95 |
| YP9C080B12MP13C | CF/CM/CU18B | 1.05 | 1.18 | 0.95 |
| YP9C080B12MP13C | CF/CM/CU24B | 1.05 | 1.24 | 0.95 |
| YP9C080B12MP13C | CF/CM/CU30B | 1.05 | 1.21 | 0.95 |
| YP9C080B12MP13C | CF/CM/CU36B | 1.05 | 1.22 | 0.95 |
| YP9C080B12MP13C | CF/CM/CU36C | 1.05 | 1.22 | 0.95 |
| YP9C080B12MP13C | CF/CM24C | 1.05 | 1.24 | 0.95 |
| YP9C080B12MP13C | CF/CM30C | 1.05 | 1.21 | 0.95 |
| YPLC060A12MP12C | CF/CM/CU18A | 1.05 | 1.18 | 0.95 |
| YPLC060A12MP12C | CF/CM/CU18B | 1.05 | 1.18 | 0.95 |
| YPLC060A12MP12C | CF/CM/CU24A | 1.05 | 1.20 | 0.95 |
| YPLC060A12MP12C | CF/CM/CU24B | 1.05 | 1.19 | 0.95 |
| YPLC060A12MP12C | CF/CM/CU30A | 1.05 | 1.18 | 0.95 |
| YPLC060A12MP12C | CF/CM/CU30B | 1.05 | 1.18 | 0.95 |

FURNACE MULTIPLIERS- 1.5 TON (Continued)

| Furnaces | Coil | T.C. | S.C. | KW |
|-----------------|-------------|------|------|------|
| YPLC060A12MP12C | CF/CM/CU36B | 1.05 | 1.20 | 0.95 |
| YPLC060A12MP12C | CF/CM36A | 1.05 | 1.20 | 0.95 |
| YPLC060A12MP13C | CF/CM/CU18A | 1.05 | 1.18 | 0.95 |
| YPLC060A12MP13C | CF/CM/CU18B | 1.05 | 1.18 | 0.95 |
| YPLC060A12MP13C | CF/CM/CU24A | 1.05 | 1.20 | 0.95 |
| YPLC060A12MP13C | CF/CM/CU24B | 1.05 | 1.19 | 0.95 |
| YPLC060A12MP13C | CF/CM/CU30A | 1.05 | 1.18 | 0.95 |
| YPLC060A12MP13C | CF/CM/CU30B | 1.05 | 1.18 | 0.95 |
| YPLC060A12MP13C | CF/CM/CU36B | 1.05 | 1.20 | 0.95 |
| YPLC060A12MP13C | CF/CM36A | 1.05 | 1.20 | 0.95 |
| YPLC080B12MP12C | CF/CM/CU18B | 1.04 | 1.17 | 0.94 |
| YPLC080B12MP12C | CF/CM/CU24B | 1.05 | 1.20 | 0.95 |
| YPLC080B12MP12C | CF/CM/CU30B | 1.05 | 1.18 | 0.95 |
| YPLC080B12MP12C | CF/CM/CU36B | 1.05 | 1.20 | 0.95 |
| YPLC080B12MP12C | CF/CM/CU36C | 1.05 | 1.22 | 0.95 |
| YPLC080B12MP12C | CF/CM24C | 1.05 | 1.20 | 0.95 |
| YPLC080B12MP12C | CF/CM30C | 1.05 | 1.21 | 0.95 |
| YPLC080B12MP13C | CF/CM/CU18B | 1.04 | 1.17 | 0.94 |
| YPLC080B12MP13C | CF/CM/CU24B | 1.05 | 1.20 | 0.95 |
| YPLC080B12MP13C | CF/CM/CU30B | 1.05 | 1.18 | 0.95 |
| YPLC080B12MP13C | CF/CM/CU36B | 1.05 | 1.20 | 0.95 |
| YPLC080B12MP13C | CF/CM/CU36C | 1.05 | 1.22 | 0.95 |
| YPLC080B12MP13C | CF/CM24C | 1.05 | 1.20 | 0.95 |
| YPLC080B12MP13C | CF/CM30C | 1.05 | 1.21 | 0.95 |

PERFORMANCE DATA - 2 TON

| CONDENSER-ONLY DATA (OUTDOOR UNIT) | | | | | | | | | | | | | | | | | | |
|------------------------------------|-----------------------------------|----------|-----------------------------|------|-------|------|-------|------|-------|------|-------|------|--------|------|--------|------|--------|------|
| MODEL | SATURATED SUCTION @ COMPRESSOR | | Outdoor Ambient Temperature | | | | | | | | | | | | | | | |
| | | | 55 °F | | 65 °F | | 75 °F | | 85 °F | | 95 °F | | 105 °F | | 115 °F | | 125 °F | |
| | T (°F) | P (PSIG) | MBH | KW | MBH | KW | MBH | KW | MBH | KW | MBH | KW | MBH | KW | MBH | KW | MBH | KW |
| TC4B2422S | 35 | 107 | 23.0 | 1.38 | 21.8 | 1.54 | 20.6 | 1.70 | 19.4 | 1.88 | 18.1 | 2.08 | 16.8 | 2.33 | 15.3 | 2.63 | 13.7 | 2.99 |
| | 40 | 118 | 25.4 | 1.36 | 24.1 | 1.52 | 22.8 | 1.68 | 21.5 | 1.86 | 20.1 | 2.06 | 18.7 | 2.31 | 17.1 | 2.61 | 15.4 | 2.95 |
| | 45 | 130 | 28.0 | 1.34 | 26.6 | 1.50 | 25.2 | 1.66 | 23.8 | 1.84 | 22.3 | 2.04 | 20.7 | 2.28 | 19.0 | 2.58 | 17.2 | 2.92 |
| | 50 | 142 | 30.7 | 1.32 | 29.2 | 1.48 | 27.7 | 1.64 | 26.2 | 1.82 | 24.6 | 2.02 | 22.9 | 2.26 | 21.1 | 2.55 | 19.1 | 2.89 |
| | 55 | 156 | 33.6 | 1.31 | 32.0 | 1.47 | 30.4 | 1.63 | 28.7 | 1.81 | 27.0 | 2.00 | 25.2 | 2.24 | 23.2 | 2.53 | 21.2 | 2.86 |

Notes:

- For Outdoor Unit (Condenser) performance only. Data does not include the effects of air handler power or heat.
- Performance based on 15°F subcooling and 15°F superheat at the Outdoor Unit base valves.
 - Increase capacity by 1% for each 2°F increase in subcooling.
 - Decrease capacity by 1% for each 2°F decrease in subcooling.
- Maximum recommended condensing temperature is 140°F.

| COOLING PERFORMANCE DATA | | | | | | | | | | | | | | | | |
|--|------------|-----------|------|------|------|------|------|------|------|------|------|------|------|------|------|------|
| OUTDOOR UNIT MODEL NO. | | TC4B2422S | | | | | | | | | | | | | | |
| INDOOR COIL MODEL NO. | | CF24AXA1 | | | | | | | | | | | | | | |
| AIR TEMP. ENTERING OUTDOOR UNIT (°F) | ID CFM | 600 | | | | | 800 | | | | | 1000 | | | | |
| | ID DB (°F) | 80 | 80 | 75 | 80 | 80 | 80 | 80 | 75 | 80 | 80 | 80 | 80 | 75 | 80 | 80 |
| | ID WB (°F) | 57 | 62 | 62 | 67 | 72 | 57 | 62 | 62 | 67 | 72 | 57 | 62 | 62 | 67 | 72 |
| 55 | T.C. | 22.4 | 24.6 | 24.5 | 26.8 | 28.9 | 24.0 | 25.6 | 25.5 | 27.7 | 29.6 | 25.5 | 26.6 | 26.4 | 28.7 | 30.2 |
| | S.C. | 21.8 | 19.5 | 16.6 | 16.4 | 13.2 | 23.6 | 21.9 | 18.5 | 18.1 | 14.0 | 25.3 | 24.4 | 20.3 | 19.8 | 14.8 |
| | KW | 1.30 | 1.29 | 1.29 | 1.29 | 1.29 | 1.36 | 1.36 | 1.36 | 1.36 | 1.36 | 1.43 | 1.44 | 1.43 | 1.43 | 1.43 |
| 65 | T.C. | 21.7 | 23.7 | 23.7 | 25.9 | 28.1 | 23.2 | 24.7 | 24.6 | 26.7 | 28.9 | 24.7 | 25.7 | 25.5 | 27.6 | 29.6 |
| | S.C. | 21.2 | 19.0 | 16.2 | 16.1 | 12.9 | 22.9 | 21.5 | 18.1 | 17.8 | 13.9 | 24.5 | 24.0 | 19.9 | 19.6 | 14.8 |
| | KW | 1.43 | 1.43 | 1.43 | 1.42 | 1.42 | 1.50 | 1.50 | 1.50 | 1.49 | 1.49 | 1.56 | 1.57 | 1.57 | 1.56 | 1.56 |
| 75 | T.C. | 20.9 | 22.8 | 22.8 | 25.0 | 27.3 | 22.4 | 23.8 | 23.7 | 25.8 | 28.1 | 24.0 | 24.7 | 24.6 | 26.5 | 29.0 |
| | S.C. | 20.6 | 18.5 | 15.8 | 15.8 | 12.6 | 22.2 | 21.0 | 17.7 | 17.6 | 13.7 | 23.7 | 23.6 | 19.6 | 19.4 | 14.8 |
| | KW | 1.56 | 1.57 | 1.57 | 1.56 | 1.55 | 1.63 | 1.63 | 1.63 | 1.63 | 1.62 | 1.69 | 1.70 | 1.70 | 1.70 | 1.69 |
| 85 | T.C. | 20.1 | 21.9 | 21.9 | 24.0 | 26.4 | 21.6 | 22.8 | 22.8 | 24.8 | 27.2 | 23.2 | 23.8 | 23.6 | 25.5 | 28.0 |
| | S.C. | 19.8 | 18.1 | 15.4 | 15.3 | 12.3 | 21.4 | 20.6 | 17.3 | 17.2 | 13.4 | 22.9 | 23.1 | 19.2 | 19.1 | 14.5 |
| | KW | 1.75 | 1.75 | 1.75 | 1.74 | 1.72 | 1.81 | 1.81 | 1.81 | 1.81 | 1.79 | 1.87 | 1.88 | 1.88 | 1.87 | 1.86 |
| 95 | T.C. | 19.3 | 20.9 | 21.0 | 23.0 | 25.5 | 20.8 | 21.9 | 21.9 | 23.8 | 26.3 | 22.4 | 22.9 | 22.7 | 24.6 | 27.0 |
| | S.C. | 19.1 | 17.7 | 15.0 | 14.9 | 11.9 | 20.6 | 20.2 | 17.0 | 16.8 | 13.0 | 22.1 | 22.7 | 18.9 | 18.7 | 14.2 |
| | KW | 1.93 | 1.93 | 1.93 | 1.92 | 1.90 | 1.99 | 1.99 | 1.99 | 1.98 | 1.97 | 2.04 | 2.05 | 2.05 | 2.05 | 2.03 |
| 105 | T.C. | 18.4 | 19.7 | 19.7 | 21.8 | 24.1 | 19.7 | 20.6 | 20.5 | 22.5 | 24.9 | 21.1 | 21.6 | 21.3 | 23.2 | 25.6 |
| | S.C. | 18.2 | 17.2 | 14.4 | 14.4 | 11.4 | 19.5 | 19.3 | 16.2 | 16.2 | 12.5 | 20.8 | 21.4 | 18.1 | 18.1 | 13.6 |
| | KW | 2.22 | 2.22 | 2.22 | 2.20 | 2.17 | 2.27 | 2.27 | 2.28 | 2.26 | 2.24 | 2.32 | 2.32 | 2.33 | 2.32 | 2.31 |
| 115 | T.C. | 17.5 | 18.5 | 18.5 | 20.6 | 22.7 | 18.7 | 19.4 | 19.2 | 21.2 | 23.5 | 19.8 | 20.3 | 20.0 | 21.8 | 24.3 |
| | S.C. | 17.4 | 16.6 | 13.8 | 13.8 | 10.9 | 18.5 | 18.3 | 15.6 | 15.7 | 11.9 | 19.6 | 20.1 | 17.3 | 17.5 | 13.0 |
| | KW | 2.51 | 2.51 | 2.51 | 2.47 | 2.44 | 2.55 | 2.55 | 2.56 | 2.53 | 2.51 | 2.60 | 2.59 | 2.61 | 2.58 | 2.57 |
| 125 | T.C. | 16.7 | 17.3 | 17.2 | 19.3 | 21.4 | 17.6 | 18.2 | 17.9 | 19.9 | 22.1 | 18.5 | 19.0 | 18.6 | 20.5 | 22.9 |
| | S.C. | 16.5 | 16.0 | 13.2 | 13.3 | 10.4 | 17.4 | 17.4 | 14.9 | 15.1 | 11.4 | 18.3 | 18.9 | 16.6 | 16.9 | 12.4 |
| | KW | 2.80 | 2.79 | 2.79 | 2.75 | 2.71 | 2.83 | 2.82 | 2.83 | 2.80 | 2.77 | 2.87 | 2.85 | 2.88 | 2.85 | 2.83 |

ALL CAPACITIES INCLUDE INDOOR FAN HEAT. KW VALUES ARE FOR THE SYSTEM (OUTDOOR + INDOOR).

Green shaded cells are ACCA (TVA) conditions.

Blue shaded cells are AHRI conditions.

Multipliers for determining the performance with other indoor sections.

NOTE: For dry bulb temperatures different than those listed (between 73-87 °F), sensible capacity increases by 1060 BTUH per 1000 CFM per degree above the listed temperature and decreases by 1060 BTUH per 1000 CFM per degree below the listed temperature.

COIL MULTIPLIERS- 2 TON

| Air Handler | Coil | T.C. | S.C. | KW |
|-------------|-------------|------|------|------|
| - | CF/CM/CU24A | 1.00 | 1.00 | 1.00 |
| - | CF/CM/CU24B | 1.00 | 1.11 | 1.00 |
| - | CF/CM/CU30A | 1.00 | 1.10 | 1.00 |
| - | CF/CM/CU30B | 1.00 | 1.10 | 1.00 |
| - | CF/CM/CU36B | 1.00 | 1.10 | 1.00 |
| - | CF/CM/CU36C | 1.00 | 1.10 | 1.00 |
| - | CF/CM/CU42C | 1.01 | 1.08 | 0.99 |
| - | CF/CM24C | 1.00 | 1.11 | 1.00 |
| - | CF/CM30C | 1.00 | 1.10 | 1.00 |
| - | CF/CM36D | 1.00 | 1.10 | 1.00 |
| - | CF/CM42D | 1.01 | 1.08 | 0.99 |
| AE24BX21 | - | 1.01 | 1.11 | 0.93 |
| AE30BX21 | - | 1.01 | 1.14 | 0.93 |
| AE36BX21 | - | 1.01 | 1.11 | 0.93 |
| AE36CX21 | - | 1.01 | 1.10 | 0.93 |
| AP24BX21 | - | 0.99 | 1.04 | 0.99 |
| AP30BX21 | - | 1.01 | 1.11 | 0.99 |
| AVC24BX21 | - | 1.01 | 1.07 | 0.93 |
| AVC30BX21 | - | 1.01 | 1.05 | 0.93 |
| AVC36BX21 | - | 1.01 | 1.11 | 0.93 |
| AVC36CX21 | - | 1.01 | 1.09 | 0.93 |
| ME08BN21 | CF/CM24B | 1.01 | 1.10 | 0.93 |
| ME08BN21 | CF/CM30B | 1.01 | 1.09 | 0.93 |
| ME08BN21 | CF/CM36B | 1.01 | 1.09 | 0.93 |
| ME08BN21 | CF42B | 1.01 | 1.13 | 0.93 |
| ME12BN21 | CF/CM24B | 1.01 | 1.14 | 0.93 |
| ME12BN21 | CF/CM30B | 1.01 | 1.13 | 0.93 |
| ME12BN21 | CF/CM36B | 1.01 | 1.14 | 0.93 |
| ME12BN21 | CF42B | 1.01 | 1.11 | 0.93 |
| ME12CN21 | CF/CM24C | 1.01 | 1.12 | 0.93 |
| ME12CN21 | CF/CM30C | 1.01 | 1.10 | 0.93 |
| ME12CN21 | CF/CM36C | 1.01 | 1.11 | 0.93 |
| ME12CN21 | CF/CM42C | 1.01 | 1.11 | 0.93 |
| ME14DN21 | CF/CM36D | 1.01 | 1.14 | 0.93 |
| ME14DN21 | CF/CM42D | 1.01 | 1.12 | 0.93 |
| MVC08BN21 | CF/CM24B | 1.01 | 1.06 | 0.93 |
| MVC08BN21 | CF/CM30B | 1.01 | 1.09 | 0.93 |
| MVC08BN21 | CF/CM36B | 1.01 | 1.09 | 0.93 |
| MVC08BN21 | CF42B | 1.01 | 1.04 | 0.93 |
| MVC12BN21 | CF/CM24B | 1.01 | 1.09 | 0.93 |
| MVC12BN21 | CF/CM30B | 1.01 | 1.13 | 0.93 |
| MVC12BN21 | CF/CM36B | 1.01 | 1.14 | 0.93 |
| MVC12BN21 | CF42B | 1.01 | 1.12 | 0.93 |
| MVC12CN21 | CF/CM24C | 1.01 | 1.14 | 0.93 |
| MVC12CN21 | CF/CM30C | 1.01 | 1.13 | 0.93 |
| MVC12CN21 | CF/CM36C | 1.01 | 1.14 | 0.93 |
| MVC12CN21 | CF/CM42C | 1.01 | 1.12 | 0.93 |
| MVC14DN21 | CF/CM36D | 1.01 | 1.14 | 0.93 |
| MVC14DN21 | CF/CM42D | 1.01 | 1.12 | 0.93 |

FURNACE MULTIPLIERS- 2 TON

| Furnaces | Coil | T.C. | S.C. | KW |
|----------------|-------------|------|------|------|
| TL8E060A12UH11 | CF/CM/CU24A | 1.01 | 1.03 | 0.93 |
| TL8E060A12UH11 | CF/CM/CU24B | 1.01 | 1.06 | 0.93 |
| TL8E060A12UH11 | CF/CM/CU30A | 1.01 | 1.02 | 0.93 |
| TL8E060A12UH11 | CF/CM/CU30B | 1.01 | 1.05 | 0.93 |
| TL8E060A12UH11 | CF/CM/CU36B | 1.01 | 1.04 | 0.93 |
| TL8E060A12UH11 | CF/CM36A | 1.01 | 1.03 | 0.93 |
| TL8E060A12UH11 | CF42B | 1.01 | 1.14 | 0.93 |
| TL8E080C16UH11 | CF/CM24C | 1.01 | 1.14 | 0.95 |
| TL8E080C16UH11 | CF/CM30C | 1.01 | 1.18 | 0.93 |
| TL9E060B12UH11 | CF/CM/CU24B | 1.01 | 1.03 | 0.93 |
| TL9E060B12UH11 | CF/CM/CU30B | 1.01 | 1.05 | 0.93 |
| TL9E060B12UH11 | CF/CM/CU36B | 1.01 | 1.03 | 0.93 |
| TL9E060B12UH11 | CF/CM/CU36C | 1.01 | 1.03 | 0.93 |
| TL9E060B12UH11 | CF/CM/CU42C | 1.01 | 1.05 | 0.93 |
| TL9E060B12UH11 | CF/CM24C | 1.01 | 1.06 | 0.95 |
| TL9E060B12UH11 | CF/CM30C | 1.01 | 1.05 | 0.93 |
| TL9E060B12UH11 | CF42B | 1.01 | 1.04 | 0.93 |
| TL9E080C16UH11 | CF/CM/CU36C | 1.01 | 1.15 | 0.93 |
| TL9E080C16UH11 | CF/CM/CU42C | 1.01 | 1.17 | 0.93 |
| TL9E080C16UH11 | CF/CM24C | 1.01 | 1.12 | 0.95 |
| TL9E080C16UH11 | CF/CM30C | 1.01 | 1.16 | 0.93 |
| TL9E080C16UH11 | CF/CM36D | 1.01 | 1.15 | 0.93 |
| TL9E080C16UH11 | CF/CM42D | 1.01 | 1.17 | 0.93 |
| TM8E040A12MP11 | CF/CM/CU24A | 1.01 | 1.08 | 0.93 |
| TM8E040A12MP11 | CF/CM/CU24B | 1.01 | 1.10 | 0.93 |
| TM8E040A12MP11 | CF/CM/CU30A | 1.01 | 1.07 | 0.93 |
| TM8E040A12MP11 | CF/CM/CU30B | 1.01 | 1.09 | 0.93 |
| TM8E040A12MP11 | CF/CM/CU36B | 1.01 | 1.05 | 0.93 |
| TM8E040A12MP11 | CF/CM36A | 1.01 | 1.04 | 0.93 |
| TM8E040A12MP11 | CF42B | 1.01 | 1.10 | 0.93 |
| TM8E060A12MP11 | CF/CM/CU24A | 1.01 | 1.08 | 0.93 |
| TM8E060A12MP11 | CF/CM/CU24B | 1.01 | 1.08 | 0.93 |
| TM8E060A12MP11 | CF/CM/CU30A | 1.01 | 1.07 | 0.93 |
| TM8E060A12MP11 | CF/CM/CU30B | 1.01 | 1.07 | 0.93 |
| TM8E060A12MP11 | CF/CM/CU36B | 1.01 | 1.11 | 0.93 |
| TM8E060A12MP11 | CF/CM36A | 1.01 | 1.08 | 0.93 |
| TM8E060A12MP11 | CF42B | 1.01 | 1.07 | 0.93 |
| TM8E080B12MP11 | CF/CM/CU24B | 1.01 | 1.08 | 0.93 |
| TM8E080B12MP11 | CF/CM/CU30B | 1.01 | 1.07 | 0.93 |
| TM8E080B12MP11 | CF/CM/CU36B | 1.01 | 1.08 | 0.93 |
| TM8E080B12MP11 | CF/CM/CU36C | 1.01 | 1.09 | 0.93 |
| TM8E080B12MP11 | CF/CM/CU42C | 1.01 | 1.07 | 0.93 |
| TM8E080B12MP11 | CF/CM24C | 1.01 | 1.08 | 0.93 |
| TM8E080B12MP11 | CF/CM30C | 1.01 | 1.07 | 0.93 |
| TM8E080B12MP11 | CF42B | 1.01 | 1.05 | 0.93 |
| TM8E080C16MP11 | CF/CM/CU36C | 1.01 | 1.11 | 0.93 |
| TM8E080C16MP11 | CF/CM/CU42C | 1.01 | 1.11 | 0.93 |
| TM8E080C16MP11 | CF/CM24C | 1.01 | 1.13 | 0.93 |
| TM8E080C16MP11 | CF/CM30C | 1.01 | 1.10 | 0.93 |
| TM8E080C16MP11 | CF/CM36D | 1.01 | 1.11 | 0.93 |
| TM8E080C16MP11 | CF/CM42D | 1.01 | 1.11 | 0.93 |
| TM8E100B12MP11 | CF/CM/CU24B | 1.01 | 1.08 | 0.93 |
| TM8E100B12MP11 | CF/CM/CU30B | 1.01 | 1.08 | 0.93 |
| TM8E100B12MP11 | CF/CM/CU36B | 1.01 | 1.08 | 0.93 |
| TM8E100B12MP11 | CF/CM/CU36C | 1.01 | 1.08 | 0.93 |
| TM8E100B12MP11 | CF/CM/CU42C | 1.01 | 1.12 | 0.93 |
| TM8E100B12MP11 | CF/CM24C | 1.01 | 1.08 | 0.93 |

FURNACE MULTIPLIERS- 2 TON (Continued)

| Furnaces | Coil | T.C. | S.C. | KW |
|-----------------|-------------|------|------|------|
| TM8E100B12MP11 | CF/CM30C | 1.01 | 1.08 | 0.93 |
| TM8E100B12MP11 | CF42B | 1.01 | 1.11 | 0.93 |
| TM8E100C16MP11 | CF/CM/CU36C | 1.01 | 1.11 | 0.93 |
| TM8E100C16MP11 | CF/CM/CU42C | 1.01 | 1.10 | 0.93 |
| TM8E100C16MP11 | CF/CM24C | 1.01 | 1.12 | 0.93 |
| TM8E100C16MP11 | CF/CM30C | 1.01 | 1.11 | 0.93 |
| TM8E100C16MP11 | CF/CM36D | 1.01 | 1.11 | 0.93 |
| TM8E100C16MP11 | CF/CM42D | 1.01 | 1.10 | 0.93 |
| TM8E120C16MP11 | CF/CM/CU36C | 1.01 | 1.11 | 0.93 |
| TM8E120C16MP11 | CF/CM/CU42C | 1.01 | 1.11 | 0.93 |
| TM8E120C16MP11 | CF/CM24C | 1.01 | 1.12 | 0.93 |
| TM8E120C16MP11 | CF/CM30C | 1.01 | 1.11 | 0.93 |
| TM8E120C16MP11 | CF/CM36D | 1.01 | 1.11 | 0.93 |
| TM8E120C16MP11 | CF/CM42D | 1.01 | 1.11 | 0.93 |
| TM8V060A12MP11C | CF/CM/CU24A | 1.00 | 1.01 | 0.92 |
| TM8V060A12MP11C | CF/CM/CU24B | 1.01 | 1.06 | 0.93 |
| TM8V060A12MP11C | CF/CM/CU30A | 1.01 | 1.01 | 0.93 |
| TM8V060A12MP11C | CF/CM/CU30B | 1.01 | 1.05 | 0.93 |
| TM8V060A12MP11C | CF/CM/CU36B | 1.01 | 1.05 | 0.93 |
| TM8V060A12MP11C | CF/CM36A | 1.01 | 1.08 | 0.93 |
| TM8V060A12MP11C | CF42B | 1.01 | 1.10 | 0.93 |
| TM8V060A12MP12C | CF/CM/CU24A | 1.00 | 1.01 | 0.92 |
| TM8V060A12MP12C | CF/CM/CU24B | 1.01 | 1.06 | 0.93 |
| TM8V060A12MP12C | CF/CM/CU30A | 1.01 | 1.01 | 0.93 |
| TM8V060A12MP12C | CF/CM/CU30B | 1.01 | 1.05 | 0.93 |
| TM8V060A12MP12C | CF/CM/CU36B | 1.01 | 1.05 | 0.93 |
| TM8V060A12MP12C | CF/CM36A | 1.01 | 1.08 | 0.93 |
| TM8V060A12MP12C | CF42B | 1.01 | 1.10 | 0.93 |
| TM8V080B12MP11C | CF/CM/CU24B | 1.01 | 1.08 | 0.93 |
| TM8V080B12MP11C | CF/CM/CU30B | 1.01 | 1.05 | 0.93 |
| TM8V080B12MP11C | CF/CM/CU36B | 1.01 | 1.05 | 0.93 |
| TM8V080B12MP11C | CF/CM/CU36C | 1.01 | 1.05 | 0.93 |
| TM8V080B12MP11C | CF/CM/CU42C | 1.01 | 1.05 | 0.93 |
| TM8V080B12MP11C | CF/CM24C | 1.01 | 1.08 | 0.93 |
| TM8V080B12MP11C | CF/CM30C | 1.01 | 1.05 | 0.93 |
| TM8V080B12MP11C | CF42B | 1.01 | 1.04 | 0.93 |
| TM8V080B12MP12C | CF/CM/CU24B | 1.01 | 1.08 | 0.93 |
| TM8V080B12MP12C | CF/CM/CU30B | 1.01 | 1.05 | 0.93 |
| TM8V080B12MP12C | CF/CM/CU36B | 1.01 | 1.05 | 0.93 |
| TM8V080B12MP12C | CF/CM/CU36C | 1.01 | 1.05 | 0.93 |
| TM8V080B12MP12C | CF/CM/CU42C | 1.01 | 1.05 | 0.93 |
| TM8V080B12MP12C | CF/CM24C | 1.01 | 1.08 | 0.93 |
| TM8V080B12MP12C | CF/CM30C | 1.01 | 1.05 | 0.93 |
| TM8V080B12MP12C | CF42B | 1.01 | 1.04 | 0.93 |
| TM8V080C16MP11C | CF/CM/CU36C | 1.01 | 1.16 | 0.93 |
| TM8V080C16MP11C | CF/CM/CU42C | 1.01 | 1.14 | 0.93 |
| TM8V080C16MP11C | CF/CM24C | 1.01 | 1.16 | 0.93 |
| TM8V080C16MP11C | CF/CM30C | 1.01 | 1.14 | 0.93 |
| TM8V080C16MP11C | CF/CM36D | 1.01 | 1.16 | 0.93 |
| TM8V080C16MP11C | CF/CM42D | 1.01 | 1.14 | 0.93 |
| TM8V080C16MP12C | CF/CM/CU36C | 1.01 | 1.16 | 0.93 |
| TM8V080C16MP12C | CF/CM/CU42C | 1.01 | 1.14 | 0.93 |
| TM8V080C16MP12C | CF/CM24C | 1.01 | 1.16 | 0.93 |
| TM8V080C16MP12C | CF/CM30C | 1.01 | 1.14 | 0.93 |
| TM8V080C16MP12C | CF/CM36D | 1.01 | 1.16 | 0.93 |
| TM8V080C16MP12C | CF/CM42D | 1.01 | 1.14 | 0.93 |
| TM8V100C16MP11C | CF/CM/CU36C | 1.01 | 1.16 | 0.93 |

FURNACE MULTIPLIERS- 2 TON (Continued)

| Furnaces | Coil | T.C. | S.C. | KW |
|-----------------|-------------|------|------|------|
| TM8V100C16MP11C | CF/CM/CU42C | 1.01 | 1.14 | 0.93 |
| TM8V100C16MP11C | CF/CM24C | 1.01 | 1.16 | 0.93 |
| TM8V100C16MP11C | CF/CM30C | 1.01 | 1.14 | 0.93 |
| TM8V100C16MP11C | CF/CM36D | 1.01 | 1.16 | 0.93 |
| TM8V100C16MP11C | CF/CM42D | 1.01 | 1.14 | 0.93 |
| TM8V100C16MP12C | CF/CM/CU36C | 1.01 | 1.16 | 0.93 |
| TM8V100C16MP12C | CF/CM/CU42C | 1.01 | 1.14 | 0.93 |
| TM8V100C16MP12C | CF/CM24C | 1.01 | 1.16 | 0.93 |
| TM8V100C16MP12C | CF/CM30C | 1.01 | 1.14 | 0.93 |
| TM8V100C16MP12C | CF/CM36D | 1.01 | 1.16 | 0.93 |
| TM8V100C16MP12C | CF/CM42D | 1.01 | 1.14 | 0.93 |
| TM8X060A12MP11 | CF/CM/CU24A | 1.00 | 1.01 | 0.92 |
| TM8X060A12MP11 | CF/CM/CU24B | 1.01 | 1.03 | 0.93 |
| TM8X060A12MP11 | CF/CM/CU30A | 1.01 | 1.01 | 0.93 |
| TM8X060A12MP11 | CF/CM/CU30B | 1.01 | 1.02 | 0.93 |
| TM8X060A12MP11 | CF/CM/CU36B | 1.01 | 1.04 | 0.93 |
| TM8X060A12MP11 | CF/CM36A | 1.01 | 1.06 | 0.93 |
| TM8X060A12MP11 | CF42B | 1.01 | 1.10 | 0.93 |
| TM8X080B12MP11 | CF/CM/CU24B | 1.01 | 1.10 | 0.93 |
| TM8X080B12MP11 | CF/CM/CU30B | 1.01 | 1.09 | 0.93 |
| TM8X080B12MP11 | CF/CM/CU36B | 1.01 | 1.11 | 0.93 |
| TM8X080B12MP11 | CF/CM/CU36C | 1.01 | 1.12 | 0.93 |
| TM8X080B12MP11 | CF/CM/CU42C | 1.01 | 1.12 | 0.93 |
| TM8X080B12MP11 | CF/CM24C | 1.01 | 1.10 | 0.93 |
| TM8X080B12MP11 | CF/CM30C | 1.01 | 1.09 | 0.93 |
| TM8X080B12MP11 | CF42B | 1.01 | 1.04 | 0.93 |
| TM8X080C16MP11 | CF/CM/CU36C | 1.01 | 1.05 | 0.93 |
| TM8X080C16MP11 | CF/CM/CU42C | 1.01 | 1.05 | 0.93 |
| TM8X080C16MP11 | CF/CM24C | 1.01 | 1.06 | 0.93 |
| TM8X080C16MP11 | CF/CM30C | 1.01 | 1.05 | 0.93 |
| TM8X080C16MP11 | CF/CM36D | 1.01 | 1.08 | 0.93 |
| TM8X080C16MP11 | CF/CM42D | 1.01 | 1.05 | 0.93 |
| TM8X100C16MP11 | CF/CM/CU36C | 1.01 | 1.05 | 0.93 |
| TM8X100C16MP11 | CF/CM/CU42C | 1.01 | 1.05 | 0.93 |
| TM8X100C16MP11 | CF/CM24C | 1.01 | 1.06 | 0.93 |
| TM8X100C16MP11 | CF/CM30C | 1.01 | 1.05 | 0.93 |
| TM8X100C16MP11 | CF/CM36D | 1.01 | 1.08 | 0.93 |
| TM8X100C16MP11 | CF/CM42D | 1.01 | 1.05 | 0.93 |
| TM8Y060A12MP11 | CF/CM/CU24A | 1.00 | 1.01 | 0.92 |
| TM8Y060A12MP11 | CF/CM/CU24B | 1.01 | 1.03 | 0.93 |
| TM8Y060A12MP11 | CF/CM/CU30A | 1.01 | 1.01 | 0.93 |
| TM8Y060A12MP11 | CF/CM/CU30B | 1.01 | 1.02 | 0.93 |
| TM8Y060A12MP11 | CF/CM/CU36B | 1.01 | 1.04 | 0.93 |
| TM8Y060A12MP11 | CF/CM36A | 1.01 | 1.06 | 0.93 |
| TM8Y060A12MP11 | CF42B | 1.01 | 1.10 | 0.93 |
| TM8Y080B12MP11 | CF/CM/CU24B | 1.01 | 1.10 | 0.93 |
| TM8Y080B12MP11 | CF/CM/CU30B | 1.01 | 1.09 | 0.93 |
| TM8Y080B12MP11 | CF/CM/CU36B | 1.01 | 1.11 | 0.93 |
| TM8Y080B12MP11 | CF/CM/CU36C | 1.01 | 1.12 | 0.93 |
| TM8Y080B12MP11 | CF/CM/CU42C | 1.01 | 1.12 | 0.93 |
| TM8Y080B12MP11 | CF/CM24C | 1.01 | 1.10 | 0.93 |
| TM8Y080B12MP11 | CF/CM30C | 1.01 | 1.09 | 0.93 |
| TM8Y080B12MP11 | CF42B | 1.01 | 1.04 | 0.93 |
| TM8Y080C16MP11 | CF/CM/CU36C | 1.01 | 1.05 | 0.93 |
| TM8Y080C16MP11 | CF/CM/CU42C | 1.01 | 1.05 | 0.93 |
| TM8Y080C16MP11 | CF/CM24C | 1.01 | 1.06 | 0.93 |
| TM8Y080C16MP11 | CF/CM30C | 1.01 | 1.05 | 0.93 |

FURNACE MULTIPLIERS- 2 TON (Continued)

| Furnaces | Coil | T.C. | S.C. | KW |
|----------------|-------------|------|------|------|
| TM8Y080C16MP11 | CF/CM36D | 1.01 | 1.08 | 0.93 |
| TM8Y080C16MP11 | CF/CM42D | 1.01 | 1.05 | 0.93 |
| TM8Y100C16MP11 | CF/CM/CU36C | 1.01 | 1.05 | 0.93 |
| TM8Y100C16MP11 | CF/CM/CU42C | 1.01 | 1.05 | 0.93 |
| TM8Y100C16MP11 | CF/CM24C | 1.01 | 1.06 | 0.93 |
| TM8Y100C16MP11 | CF/CM30C | 1.01 | 1.05 | 0.93 |
| TM8Y100C16MP11 | CF/CM36D | 1.01 | 1.08 | 0.93 |
| TM8Y100C16MP11 | CF/CM42D | 1.01 | 1.05 | 0.93 |
| TM9E040A10MP11 | CF/CM/CU24A | 1.00 | 1.04 | 0.96 |
| TM9E040A10MP11 | CF/CM/CU24B | 1.01 | 1.06 | 0.97 |
| TM9E040A10MP11 | CF/CM/CU30A | 1.01 | 1.04 | 0.97 |
| TM9E040A10MP11 | CF/CM/CU30B | 1.01 | 1.06 | 0.95 |
| TM9E040A10MP11 | CF/CM/CU36B | 1.01 | 1.05 | 0.95 |
| TM9E040A10MP11 | CF/CM36A | 1.01 | 1.04 | 0.97 |
| TM9E040A10MP11 | CF42B | 1.01 | 1.04 | 0.95 |
| TM9E040A10MP12 | CF/CM/CU24A | 0.98 | 0.98 | 0.94 |
| TM9E040A10MP12 | CF/CM/CU24B | 0.99 | 1.00 | 0.95 |
| TM9E040A10MP12 | CF/CM/CU30A | 1.01 | 1.00 | 0.95 |
| TM9E040A10MP12 | CF/CM/CU30B | 1.01 | 1.01 | 0.95 |
| TM9E040A10MP12 | CF/CM/CU36B | 1.01 | 1.05 | 0.93 |
| TM9E040A10MP12 | CF/CM36A | 1.01 | 1.05 | 0.95 |
| TM9E040A10MP12 | CF42B | 1.01 | 1.02 | 0.93 |
| TM9E060A10MP12 | CF/CM/CU24A | 1.01 | 1.04 | 0.95 |
| TM9E060A10MP12 | CF/CM/CU24B | 1.01 | 1.06 | 0.95 |
| TM9E060A10MP12 | CF/CM/CU30A | 1.01 | 1.04 | 0.93 |
| TM9E060A10MP12 | CF/CM/CU30B | 1.01 | 1.05 | 0.93 |
| TM9E060A10MP12 | CF/CM/CU36B | 1.01 | 1.06 | 0.93 |
| TM9E060A10MP12 | CF/CM36A | 1.01 | 1.05 | 0.93 |
| TM9E060A10MP12 | CF42B | 1.01 | 1.05 | 0.93 |
| TM9E060B12MP11 | CF/CM/CU24B | 1.01 | 1.04 | 0.93 |
| TM9E060B12MP11 | CF/CM/CU30B | 1.01 | 1.05 | 0.93 |
| TM9E060B12MP11 | CF/CM/CU36B | 1.01 | 1.05 | 0.93 |
| TM9E060B12MP11 | CF/CM/CU36C | 1.01 | 1.05 | 0.93 |
| TM9E060B12MP11 | CF/CM/CU42C | 1.01 | 1.05 | 0.93 |
| TM9E060B12MP11 | CF/CM24C | 1.01 | 1.04 | 0.93 |
| TM9E060B12MP11 | CF/CM30C | 1.01 | 1.05 | 0.93 |
| TM9E060B12MP11 | CF42B | 1.01 | 1.04 | 0.93 |
| TM9E060B12MP12 | CF/CM/CU24B | 1.01 | 1.09 | 0.93 |
| TM9E060B12MP12 | CF/CM/CU30B | 1.01 | 1.07 | 0.93 |
| TM9E060B12MP12 | CF/CM/CU36B | 1.01 | 1.09 | 0.93 |
| TM9E060B12MP12 | CF/CM/CU36C | 1.01 | 1.09 | 0.93 |
| TM9E060B12MP12 | CF/CM/CU42C | 1.01 | 1.07 | 0.93 |
| TM9E060B12MP12 | CF/CM24C | 1.01 | 1.09 | 0.93 |
| TM9E060B12MP12 | CF/CM30C | 1.01 | 1.07 | 0.93 |
| TM9E060B12MP12 | CF42B | 1.01 | 1.05 | 0.93 |
| TM9E080B12MP11 | CF/CM/CU24B | 1.01 | 1.06 | 0.93 |
| TM9E080B12MP11 | CF/CM/CU30B | 1.01 | 1.05 | 0.93 |
| TM9E080B12MP11 | CF/CM/CU36B | 1.01 | 1.05 | 0.93 |
| TM9E080B12MP11 | CF/CM/CU36C | 1.01 | 1.05 | 0.93 |
| TM9E080B12MP11 | CF/CM/CU42C | 1.01 | 1.05 | 0.93 |
| TM9E080B12MP11 | CF/CM24C | 1.01 | 1.06 | 0.93 |
| TM9E080B12MP11 | CF/CM30C | 1.01 | 1.05 | 0.93 |
| TM9E080B12MP11 | CF42B | 1.01 | 1.04 | 0.93 |
| TM9E080B12MP12 | CF/CM/CU24B | 1.01 | 1.11 | 0.93 |
| TM9E080B12MP12 | CF/CM/CU30B | 1.01 | 1.12 | 0.93 |
| TM9E080B12MP12 | CF/CM/CU36B | 1.01 | 1.12 | 0.93 |
| TM9E080B12MP12 | CF/CM/CU36C | 1.01 | 1.11 | 0.93 |

FURNACE MULTIPLIERS- 2 TON (Continued)

| Furnaces | Coil | T.C. | S.C. | KW |
|-----------------|-------------|------|------|------|
| TM9E080B12MP12 | CF/CM/CU42C | 1.01 | 1.11 | 0.93 |
| TM9E080B12MP12 | CF/CM24C | 1.01 | 1.11 | 0.93 |
| TM9E080B12MP12 | CF/CM30C | 1.01 | 1.10 | 0.93 |
| TM9E080B12MP12 | CF42B | 1.01 | 1.10 | 0.93 |
| TM9E080C16MP11 | CF/CM/CU36C | 1.01 | 1.02 | 0.93 |
| TM9E080C16MP11 | CF/CM/CU42C | 1.01 | 1.00 | 0.93 |
| TM9E080C16MP11 | CF/CM24C | 0.99 | 0.99 | 0.92 |
| TM9E080C16MP11 | CF/CM30C | 1.01 | 1.00 | 0.93 |
| TM9E080C16MP11 | CF/CM36D | 1.01 | 1.02 | 0.93 |
| TM9E080C16MP11 | CF/CM42D | 1.01 | 1.00 | 0.93 |
| TM9E080C16MP12 | CF/CM/CU36C | 1.01 | 1.09 | 0.93 |
| TM9E080C16MP12 | CF/CM/CU42C | 1.01 | 1.07 | 0.93 |
| TM9E080C16MP12 | CF/CM24C | 1.01 | 1.08 | 0.93 |
| TM9E080C16MP12 | CF/CM30C | 1.01 | 1.07 | 0.93 |
| TM9E080C16MP12 | CF/CM36D | 1.01 | 1.15 | 0.93 |
| TM9E080C16MP12 | CF/CM42D | 1.01 | 1.17 | 0.93 |
| TM9E100C16MP11 | CF/CM/CU36C | 1.01 | 1.03 | 0.93 |
| TM9E100C16MP11 | CF/CM/CU42C | 1.01 | 1.02 | 0.93 |
| TM9E100C16MP11 | CF/CM24C | 1.00 | 1.01 | 0.92 |
| TM9E100C16MP11 | CF/CM30C | 1.01 | 1.01 | 0.93 |
| TM9E100C16MP11 | CF/CM36D | 1.01 | 1.03 | 0.93 |
| TM9E100C16MP11 | CF/CM42D | 1.01 | 1.02 | 0.93 |
| TM9E100C16MP12 | CF/CM/CU36C | 1.01 | 1.11 | 0.93 |
| TM9E100C16MP12 | CF/CM/CU42C | 1.01 | 1.11 | 0.93 |
| TM9E100C16MP12 | CF/CM24C | 1.01 | 1.10 | 0.93 |
| TM9E100C16MP12 | CF/CM30C | 1.01 | 1.11 | 0.93 |
| TM9E100C16MP12 | CF/CM36D | 1.01 | 1.11 | 0.93 |
| TM9E100C16MP12 | CF/CM42D | 1.01 | 1.11 | 0.93 |
| TM9V040A10MP12C | CF/CM/CU24A | 0.99 | 0.99 | 0.95 |
| TM9V040A10MP12C | CF/CM/CU24B | 0.99 | 1.00 | 0.93 |
| TM9V040A10MP12C | CF/CM/CU30A | 1.01 | 1.15 | 1.01 |
| TM9V040A10MP12C | CF/CM/CU30B | 1.01 | 1.01 | 0.93 |
| TM9V040A10MP12C | CF/CM/CU36B | 1.01 | 1.03 | 0.93 |
| TM9V040A10MP12C | CF/CM36A | 1.01 | 1.03 | 0.93 |
| TM9V040A10MP12C | CF42B | 1.01 | 1.02 | 0.93 |
| TM9V060B12MP12C | CF/CM/CU24B | 1.01 | 1.06 | 0.93 |
| TM9V060B12MP12C | CF/CM/CU30B | 1.01 | 1.05 | 0.93 |
| TM9V060B12MP12C | CF/CM/CU36B | 1.01 | 1.03 | 0.93 |
| TM9V060B12MP12C | CF/CM/CU36C | 1.01 | 1.03 | 0.93 |
| TM9V060B12MP12C | CF/CM/CU42C | 1.01 | 1.05 | 0.93 |
| TM9V060B12MP12C | CF/CM24C | 1.01 | 1.06 | 0.93 |
| TM9V060B12MP12C | CF/CM30C | 1.01 | 1.05 | 0.93 |
| TM9V060B12MP12C | CF42B | 1.01 | 1.05 | 0.93 |
| TM9V080B12MP11C | CF/CM/CU24B | 1.01 | 1.08 | 0.93 |
| TM9V080B12MP11C | CF/CM/CU30B | 1.01 | 1.12 | 0.93 |
| TM9V080B12MP11C | CF/CM/CU36B | 1.01 | 1.05 | 0.93 |
| TM9V080B12MP11C | CF/CM/CU36C | 1.01 | 1.12 | 0.93 |
| TM9V080B12MP11C | CF/CM/CU42C | 1.01 | 1.12 | 0.93 |
| TM9V080B12MP11C | CF/CM24C | 1.01 | 1.08 | 0.93 |
| TM9V080B12MP11C | CF/CM30C | 1.01 | 1.09 | 0.93 |
| TM9V080B12MP11C | CF42B | 1.01 | 1.10 | 0.93 |
| TM9V080B12MP12C | CF/CM/CU24B | 1.01 | 1.08 | 0.93 |
| TM9V080B12MP12C | CF/CM/CU30B | 1.01 | 1.12 | 0.93 |
| TM9V080B12MP12C | CF/CM/CU36B | 1.01 | 1.05 | 0.93 |
| TM9V080B12MP12C | CF/CM/CU36C | 1.01 | 1.12 | 0.93 |
| TM9V080B12MP12C | CF/CM/CU42C | 1.01 | 1.12 | 0.93 |
| TM9V080B12MP12C | CF/CM24C | 1.01 | 1.08 | 0.93 |

FURNACE MULTIPLIERS- 2 TON (Continued)

| Furnaces | Coil | T.C. | S.C. | KW |
|-----------------|-------------|------|------|------|
| TM9V080B12MP12C | CF/CM30C | 1.01 | 1.09 | 0.93 |
| TM9V080B12MP12C | CF42B | 1.01 | 1.10 | 0.93 |
| TM9V080C16MP11C | CF/CM/CU36C | 1.01 | 1.19 | 0.93 |
| TM9V080C16MP11C | CF/CM/CU42C | 1.01 | 1.16 | 0.93 |
| TM9V080C16MP11C | CF/CM24C | 1.01 | 1.14 | 0.97 |
| TM9V080C16MP11C | CF/CM30C | 1.01 | 1.18 | 0.93 |
| TM9V080C16MP11C | CF/CM36D | 1.01 | 1.19 | 0.93 |
| TM9V080C16MP11C | CF/CM42D | 1.01 | 1.16 | 0.93 |
| TM9V080C16MP12C | CF/CM/CU36C | 1.01 | 1.19 | 0.93 |
| TM9V080C16MP12C | CF/CM/CU42C | 1.01 | 1.16 | 0.93 |
| TM9V080C16MP12C | CF/CM24C | 1.01 | 1.14 | 0.97 |
| TM9V080C16MP12C | CF/CM30C | 1.01 | 1.18 | 0.93 |
| TM9V080C16MP12C | CF/CM36D | 1.01 | 1.19 | 0.93 |
| TM9V080C16MP12C | CF/CM42D | 1.01 | 1.16 | 0.93 |
| TM9V100C16MP11C | CF/CM/CU36C | 1.01 | 1.15 | 0.93 |
| TM9V100C16MP11C | CF/CM/CU42C | 1.01 | 1.15 | 0.93 |
| TM9V100C16MP11C | CF/CM24C | 1.01 | 1.12 | 0.93 |
| TM9V100C16MP11C | CF/CM30C | 1.01 | 1.15 | 0.93 |
| TM9V100C16MP11C | CF/CM36D | 1.01 | 1.15 | 0.93 |
| TM9V100C16MP11C | CF/CM42D | 1.01 | 1.15 | 0.93 |
| TM9V100C16MP12C | CF/CM/CU36C | 1.01 | 1.15 | 0.93 |
| TM9V100C16MP12C | CF/CM/CU42C | 1.01 | 1.15 | 0.93 |
| TM9V100C16MP12C | CF/CM24C | 1.01 | 1.12 | 0.93 |
| TM9V100C16MP12C | CF/CM30C | 1.01 | 1.15 | 0.93 |
| TM9V100C16MP12C | CF/CM36D | 1.01 | 1.15 | 0.93 |
| TM9V100C16MP12C | CF/CM42D | 1.01 | 1.15 | 0.93 |
| TM9Y040A10MP11 | CF/CM/CU24A | 1.00 | 1.04 | 0.96 |
| TM9Y040A10MP11 | CF/CM/CU24B | 1.01 | 1.04 | 0.97 |
| TM9Y040A10MP11 | CF/CM/CU30A | 1.01 | 1.03 | 0.97 |
| TM9Y040A10MP11 | CF/CM/CU30B | 1.01 | 1.04 | 0.95 |
| TM9Y040A10MP11 | CF/CM/CU36B | 1.01 | 1.04 | 0.95 |
| TM9Y040A10MP11 | CF/CM36A | 1.01 | 1.03 | 0.97 |
| TM9Y040A10MP11 | CF42B | 1.01 | 1.03 | 0.95 |
| TM9Y060B12MP11 | CF/CM/CU24B | 1.01 | 1.04 | 0.93 |
| TM9Y060B12MP11 | CF/CM/CU30B | 1.01 | 1.05 | 0.93 |
| TM9Y060B12MP11 | CF/CM/CU36B | 1.01 | 1.05 | 0.93 |
| TM9Y060B12MP11 | CF/CM/CU36C | 1.01 | 1.05 | 0.93 |
| TM9Y060B12MP11 | CF/CM/CU42C | 1.01 | 1.05 | 0.93 |
| TM9Y060B12MP11 | CF/CM24C | 1.01 | 1.04 | 0.93 |
| TM9Y060B12MP11 | CF/CM30C | 1.01 | 1.05 | 0.93 |
| TM9Y060B12MP11 | CF42B | 1.01 | 1.04 | 0.93 |
| TM9Y080B12MP11 | CF/CM/CU24B | 1.01 | 1.04 | 0.93 |
| TM9Y080B12MP11 | CF/CM/CU30B | 1.01 | 1.04 | 0.93 |
| TM9Y080B12MP11 | CF/CM/CU36B | 1.01 | 1.04 | 0.93 |
| TM9Y080B12MP11 | CF/CM/CU36C | 1.01 | 1.04 | 0.93 |
| TM9Y080B12MP11 | CF/CM/CU42C | 1.01 | 1.03 | 0.93 |
| TM9Y080B12MP11 | CF/CM24C | 1.01 | 1.04 | 0.93 |
| TM9Y080B12MP11 | CF/CM30C | 1.01 | 1.04 | 0.93 |
| TM9Y080B12MP11 | CF42B | 1.01 | 1.03 | 0.93 |
| TM9Y080C16MP11 | CF/CM/CU36C | 1.01 | 1.02 | 0.93 |
| TM9Y080C16MP11 | CF/CM/CU42C | 1.01 | 1.00 | 0.93 |
| TM9Y080C16MP11 | CF/CM24C | 0.99 | 0.99 | 0.92 |
| TM9Y080C16MP11 | CF/CM30C | 1.01 | 1.00 | 0.93 |
| TM9Y080C16MP11 | CF/CM36D | 1.01 | 1.02 | 0.93 |
| TM9Y080C16MP11 | CF/CM42D | 1.01 | 1.00 | 0.93 |
| TM9Y100C16MP11 | CF/CM/CU36C | 1.01 | 1.01 | 0.93 |
| TM9Y100C16MP11 | CF/CM/CU42C | 1.01 | 1.00 | 0.93 |

FURNACE MULTIPLIERS- 2 TON (Continued)

| Furnaces | Coil | T.C. | S.C. | KW |
|-----------------|-------------|------|------|------|
| TM9Y100C16MP11 | CF/CM24C | 1.00 | 1.01 | 0.92 |
| TM9Y100C16MP11 | CF/CM30C | 1.01 | 1.00 | 0.93 |
| TM9Y100C16MP11 | CF/CM36D | 1.01 | 1.01 | 0.93 |
| TM9Y100C16MP11 | CF/CM42D | 1.01 | 1.00 | 0.93 |
| TMLV060A12MP11C | CF/CM/CU24A | 1.00 | 1.01 | 0.92 |
| TMLV060A12MP11C | CF/CM/CU24B | 1.01 | 1.06 | 0.93 |
| TMLV060A12MP11C | CF/CM/CU30A | 1.01 | 1.01 | 0.93 |
| TMLV060A12MP11C | CF/CM/CU30B | 1.01 | 1.05 | 0.93 |
| TMLV060A12MP11C | CF/CM/CU36B | 1.01 | 1.05 | 0.93 |
| TMLV060A12MP11C | CF/CM36A | 1.01 | 1.08 | 0.93 |
| TMLV060A12MP11C | CF42B | 1.01 | 1.10 | 0.93 |
| TMLV060A12MP12C | CF/CM/CU24A | 1.00 | 1.01 | 0.92 |
| TMLV060A12MP12C | CF/CM/CU24B | 1.01 | 1.06 | 0.93 |
| TMLV060A12MP12C | CF/CM/CU30A | 1.01 | 1.01 | 0.93 |
| TMLV060A12MP12C | CF/CM/CU30B | 1.01 | 1.05 | 0.93 |
| TMLV060A12MP12C | CF/CM/CU36B | 1.01 | 1.05 | 0.93 |
| TMLV060A12MP12C | CF/CM36A | 1.01 | 1.08 | 0.93 |
| TMLV060A12MP12C | CF42B | 1.01 | 1.10 | 0.93 |
| TMLV060A12MP12C | CF/CM/CU24A | 1.00 | 1.01 | 0.92 |
| TMLV060A12MP12C | CF/CM/CU24B | 1.01 | 1.06 | 0.93 |
| TMLV060A12MP12C | CF/CM/CU30A | 1.01 | 1.01 | 0.93 |
| TMLV060A12MP12C | CF/CM/CU30B | 1.01 | 1.05 | 0.93 |
| TMLV060A12MP12C | CF/CM36A | 1.01 | 1.08 | 0.93 |
| TMLV060A12MP12C | CF42B | 1.01 | 1.10 | 0.93 |
| TMLV080B12MP11C | CF/CM/CU24B | 1.01 | 1.08 | 0.93 |
| TMLV080B12MP11C | CF/CM/CU30B | 1.01 | 1.05 | 0.93 |
| TMLV080B12MP11C | CF/CM/CU36B | 1.01 | 1.05 | 0.93 |
| TMLV080B12MP11C | CF/CM/CU36C | 1.01 | 1.05 | 0.93 |
| TMLV080B12MP11C | CF/CM/CU42C | 1.01 | 1.05 | 0.93 |
| TMLV080B12MP11C | CF/CM24C | 1.01 | 1.08 | 0.93 |
| TMLV080B12MP11C | CF/CM30C | 1.01 | 1.05 | 0.93 |
| TMLV080B12MP11C | CF42B | 1.01 | 1.04 | 0.93 |
| TMLV080B12MP12C | CF/CM/CU24B | 1.01 | 1.08 | 0.93 |
| TMLV080B12MP12C | CF/CM/CU30B | 1.01 | 1.05 | 0.93 |
| TMLV080B12MP12C | CF/CM/CU36B | 1.01 | 1.05 | 0.93 |
| TMLV080B12MP12C | CF/CM/CU36C | 1.01 | 1.05 | 0.93 |
| TMLV080B12MP12C | CF/CM/CU42C | 1.01 | 1.05 | 0.93 |
| TMLV080B12MP12C | CF/CM24C | 1.01 | 1.08 | 0.93 |
| TMLV080B12MP12C | CF/CM30C | 1.01 | 1.05 | 0.93 |
| TMLV080B12MP12C | CF42B | 1.01 | 1.04 | 0.93 |
| TMLV080B12MP12C | CF/CM/CU24B | 1.01 | 1.08 | 0.93 |
| TMLV080B12MP12C | CF/CM/CU30B | 1.01 | 1.05 | 0.93 |
| TMLV080B12MP12C | CF/CM/CU36B | 1.01 | 1.05 | 0.93 |
| TMLV080B12MP12C | CF/CM/CU36C | 1.01 | 1.05 | 0.93 |
| TMLV080B12MP12C | CF/CM/CU42C | 1.01 | 1.05 | 0.93 |
| TMLV080B12MP12C | CF/CM24C | 1.01 | 1.08 | 0.93 |
| TMLV080B12MP12C | CF/CM30C | 1.01 | 1.05 | 0.93 |
| TMLV080B12MP12C | CF42B | 1.01 | 1.04 | 0.93 |
| TMLV080C16MP11C | CF/CM/CU36C | 1.01 | 1.16 | 0.93 |
| TMLV080C16MP11C | CF/CM/CU42C | 1.01 | 1.14 | 0.93 |
| TMLV080C16MP11C | CF/CM24C | 1.01 | 1.16 | 0.93 |
| TMLV080C16MP11C | CF/CM30C | 1.01 | 1.14 | 0.93 |
| TMLV080C16MP11C | CF/CM36D | 1.01 | 1.16 | 0.93 |
| TMLV080C16MP11C | CF/CM42D | 1.01 | 1.14 | 0.93 |
| TMLV080C16MP12C | CF/CM/CU36C | 1.01 | 1.16 | 0.93 |
| TMLV080C16MP12C | CF/CM/CU42C | 1.01 | 1.14 | 0.93 |
| TMLV080C16MP12C | CF/CM24C | 1.01 | 1.16 | 0.93 |
| TMLV080C16MP12C | CF/CM30C | 1.01 | 1.14 | 0.93 |
| TMLV080C16MP12C | CF/CM36D | 1.01 | 1.16 | 0.93 |
| TMLV080C16MP12C | CF/CM42D | 1.01 | 1.14 | 0.93 |
| TMLV100C16MP11C | CF/CM/CU36C | 1.01 | 1.16 | 0.93 |
| TMLV100C16MP11C | CF/CM/CU42C | 1.01 | 1.14 | 0.93 |
| TMLV100C16MP11C | CF/CM24C | 1.01 | 1.16 | 0.93 |
| TMLV100C16MP11C | CF/CM30C | 1.01 | 1.14 | 0.93 |
| TMLV100C16MP11C | CF/CM36D | 1.01 | 1.16 | 0.93 |
| TMLV100C16MP11C | CF/CM42D | 1.01 | 1.14 | 0.93 |
| TMLV100C16MP12C | CF/CM/CU36C | 1.01 | 1.16 | 0.93 |
| TMLV100C16MP12C | CF/CM/CU42C | 1.01 | 1.14 | 0.93 |
| TMLV100C16MP12C | CF/CM24C | 1.01 | 1.16 | 0.93 |
| TMLV100C16MP12C | CF/CM30C | 1.01 | 1.14 | 0.93 |
| TMLV100C16MP12C | CF/CM36D | 1.01 | 1.16 | 0.93 |

FURNACE MULTIPLIERS- 2 TON (Continued)

| Furnaces | Coil | T.C. | S.C. | KW |
|-----------------|-------------|------|------|------|
| TMLV100C16MP12C | CF/CM42D | 1.01 | 1.14 | 0.93 |
| TMLX060A12MP11 | CF/CM/CU24A | 1.00 | 1.01 | 0.92 |
| TMLX060A12MP11 | CF/CM/CU24B | 1.01 | 1.03 | 0.93 |
| TMLX060A12MP11 | CF/CM/CU30A | 1.01 | 1.01 | 0.93 |
| TMLX060A12MP11 | CF/CM/CU30B | 1.01 | 1.02 | 0.93 |
| TMLX060A12MP11 | CF/CM/CU36B | 1.01 | 1.04 | 0.93 |
| TMLX060A12MP11 | CF/CM36A | 1.01 | 1.06 | 0.93 |
| TMLX060A12MP11 | CF42B | 1.01 | 1.10 | 0.93 |
| TMLX080B12MP11 | CF/CM/CU24B | 1.01 | 1.10 | 0.93 |
| TMLX080B12MP11 | CF/CM/CU30B | 1.01 | 1.09 | 0.93 |
| TMLX080B12MP11 | CF/CM/CU36B | 1.01 | 1.11 | 0.93 |
| TMLX080B12MP11 | CF/CM/CU36C | 1.01 | 1.12 | 0.93 |
| TMLX080B12MP11 | CF/CM/CU42C | 1.01 | 1.12 | 0.93 |
| TMLX080B12MP11 | CF/CM24C | 1.01 | 1.10 | 0.93 |
| TMLX080B12MP11 | CF/CM30C | 1.01 | 1.09 | 0.93 |
| TMLX080B12MP11 | CF42B | 1.01 | 1.04 | 0.93 |
| TMLX080C16MP11 | CF/CM/CU36C | 1.01 | 1.05 | 0.93 |
| TMLX080C16MP11 | CF/CM/CU42C | 1.01 | 1.05 | 0.93 |
| TMLX080C16MP11 | CF/CM24C | 1.01 | 1.06 | 0.93 |
| TMLX080C16MP11 | CF/CM30C | 1.01 | 1.05 | 0.93 |
| TMLX080C16MP11 | CF/CM36D | 1.01 | 1.08 | 0.93 |
| TMLX080C16MP11 | CF/CM42D | 1.01 | 1.05 | 0.93 |
| TMLX100C16MP11 | CF/CM/CU36C | 1.01 | 1.05 | 0.93 |
| TMLX100C16MP11 | CF/CM/CU42C | 1.01 | 1.05 | 0.93 |
| TMLX100C16MP11 | CF/CM24C | 1.01 | 1.06 | 0.93 |
| TMLX100C16MP11 | CF/CM30C | 1.01 | 1.05 | 0.93 |
| TMLX100C16MP11 | CF/CM36D | 1.01 | 1.08 | 0.93 |
| TMLX100C16MP11 | CF/CM42D | 1.01 | 1.05 | 0.93 |
| TP9C060B12MP13C | CF/CM/CU24B | 1.01 | 1.06 | 0.93 |
| TP9C060B12MP13C | CF/CM/CU30B | 1.01 | 1.05 | 0.93 |
| TP9C060B12MP13C | CF/CM/CU36B | 1.01 | 1.03 | 0.93 |
| TP9C060B12MP13C | CF/CM/CU36C | 1.01 | 1.03 | 0.93 |
| TP9C060B12MP13C | CF/CM/CU42C | 1.01 | 1.05 | 0.93 |
| TP9C060B12MP13C | CF/CM24C | 1.01 | 1.06 | 0.93 |
| TP9C060B12MP13C | CF/CM30C | 1.01 | 1.05 | 0.93 |
| TP9C060B12MP13C | CF42B | 1.01 | 1.05 | 0.93 |
| TP9C080B12MP12C | CF/CM/CU24B | 1.01 | 1.08 | 0.93 |
| TP9C080B12MP12C | CF/CM/CU30B | 1.01 | 1.12 | 0.93 |
| TP9C080B12MP12C | CF/CM/CU36B | 1.01 | 1.05 | 0.93 |
| TP9C080B12MP12C | CF/CM/CU36C | 1.01 | 1.12 | 0.93 |
| TP9C080B12MP12C | CF/CM/CU42C | 1.01 | 1.12 | 0.93 |
| TP9C080B12MP12C | CF/CM24C | 1.01 | 1.08 | 0.93 |
| TP9C080B12MP12C | CF/CM30C | 1.01 | 1.09 | 0.93 |
| TP9C080B12MP12C | CF42B | 1.01 | 1.10 | 0.93 |
| TP9C080B12MP13C | CF/CM/CU24B | 1.01 | 1.08 | 0.93 |
| TP9C080B12MP13C | CF/CM/CU30B | 1.01 | 1.12 | 0.93 |
| TP9C080B12MP13C | CF/CM/CU36B | 1.01 | 1.05 | 0.93 |
| TP9C080B12MP13C | CF/CM/CU36C | 1.01 | 1.12 | 0.93 |
| TP9C080B12MP13C | CF/CM/CU42C | 1.01 | 1.12 | 0.93 |
| TP9C080B12MP13C | CF/CM24C | 1.01 | 1.08 | 0.93 |
| TP9C080B12MP13C | CF/CM30C | 1.01 | 1.09 | 0.93 |
| TP9C080B12MP13C | CF42B | 1.01 | 1.10 | 0.93 |
| TP9C080C16MP13C | CF/CM/CU36C | 1.01 | 1.19 | 0.93 |
| TP9C080C16MP13C | CF/CM/CU42C | 1.01 | 1.16 | 0.93 |
| TP9C080C16MP13C | CF/CM24C | 1.01 | 1.14 | 0.97 |
| TP9C080C16MP13C | CF/CM30C | 1.01 | 1.18 | 0.93 |
| TP9C080C16MP13C | CF/CM36D | 1.01 | 1.19 | 0.93 |

FURNACE MULTIPLIERS- 2 TON (Continued)

| Furnaces | Coil | T.C. | S.C. | KW |
|-----------------|-------------|------|------|------|
| TP9C080C16MP13C | CF/CM42D | 1.01 | 1.16 | 0.93 |
| TP9C100C16MP12C | CF/CM/CU36C | 1.01 | 1.15 | 0.93 |
| TP9C100C16MP12C | CF/CM/CU42C | 1.01 | 1.15 | 0.93 |
| TP9C100C16MP12C | CF/CM24C | 1.01 | 1.12 | 0.93 |
| TP9C100C16MP12C | CF/CM30C | 1.01 | 1.15 | 0.93 |
| TP9C100C16MP12C | CF/CM36D | 1.01 | 1.15 | 0.93 |
| TP9C100C16MP12C | CF/CM42D | 1.01 | 1.15 | 0.93 |
| TP9C100C16MP13C | CF/CM/CU36C | 1.01 | 1.15 | 0.93 |
| TP9C100C16MP13C | CF/CM/CU42C | 1.01 | 1.15 | 0.93 |
| TP9C100C16MP13C | CF/CM24C | 1.01 | 1.12 | 0.93 |
| TP9C100C16MP13C | CF/CM30C | 1.01 | 1.15 | 0.93 |
| TP9C100C16MP13C | CF/CM36D | 1.01 | 1.15 | 0.93 |
| TP9C100C16MP13C | CF/CM42D | 1.01 | 1.15 | 0.93 |
| TPLC060A12MP12C | CF/CM/CU24A | 1.00 | 1.01 | 0.92 |
| TPLC060A12MP12C | CF/CM/CU24B | 1.01 | 1.06 | 0.93 |
| TPLC060A12MP12C | CF/CM/CU30A | 1.01 | 1.01 | 0.93 |
| TPLC060A12MP12C | CF/CM/CU30B | 1.01 | 1.05 | 0.93 |
| TPLC060A12MP12C | CF/CM/CU36B | 1.01 | 1.05 | 0.93 |
| TPLC060A12MP12C | CF/CM36A | 1.01 | 1.08 | 0.93 |
| TPLC060A12MP12C | CF42B | 1.01 | 1.10 | 0.93 |
| TPLC060A12MP13C | CF/CM/CU24A | 1.00 | 1.01 | 0.92 |
| TPLC060A12MP13C | CF/CM/CU24B | 1.01 | 1.06 | 0.93 |
| TPLC060A12MP13C | CF/CM/CU30A | 1.01 | 1.01 | 0.93 |
| TPLC060A12MP13C | CF/CM/CU30B | 1.01 | 1.05 | 0.93 |
| TPLC060A12MP13C | CF/CM/CU36B | 1.01 | 1.05 | 0.93 |
| TPLC060A12MP13C | CF/CM36A | 1.01 | 1.08 | 0.93 |
| TPLC060A12MP13C | CF42B | 1.01 | 1.10 | 0.93 |
| TPLC080B12MP12C | CF/CM/CU24B | 1.01 | 1.08 | 0.93 |
| TPLC080B12MP12C | CF/CM/CU30B | 1.01 | 1.05 | 0.93 |
| TPLC080B12MP12C | CF/CM/CU36B | 1.01 | 1.05 | 0.93 |
| TPLC080B12MP12C | CF/CM/CU36C | 1.01 | 1.05 | 0.93 |
| TPLC080B12MP12C | CF/CM/CU42C | 1.01 | 1.05 | 0.93 |
| TPLC080B12MP12C | CF/CM24C | 1.01 | 1.08 | 0.93 |
| TPLC080B12MP12C | CF/CM30C | 1.01 | 1.05 | 0.93 |
| TPLC080B12MP12C | CF42B | 1.01 | 1.04 | 0.93 |
| TPLC080B12MP13C | CF/CM/CU24B | 1.01 | 1.08 | 0.93 |
| TPLC080B12MP13C | CF/CM/CU30B | 1.01 | 1.05 | 0.93 |
| TPLC080B12MP13C | CF/CM/CU36B | 1.01 | 1.05 | 0.93 |
| TPLC080B12MP13C | CF/CM/CU36C | 1.01 | 1.05 | 0.93 |
| TPLC080B12MP13C | CF/CM/CU42C | 1.01 | 1.05 | 0.93 |
| TPLC080B12MP13C | CF/CM24C | 1.01 | 1.08 | 0.93 |
| TPLC080B12MP13C | CF/CM30C | 1.01 | 1.05 | 0.93 |
| TPLC080B12MP13C | CF42B | 1.01 | 1.04 | 0.93 |
| TPLC080C16MP12C | CF/CM/CU36C | 1.01 | 1.16 | 0.93 |
| TPLC080C16MP12C | CF/CM/CU42C | 1.01 | 1.14 | 0.93 |
| TPLC080C16MP12C | CF/CM24C | 1.01 | 1.16 | 0.93 |
| TPLC080C16MP12C | CF/CM30C | 1.01 | 1.14 | 0.93 |
| TPLC080C16MP12C | CF/CM36D | 1.01 | 1.16 | 0.93 |
| TPLC080C16MP12C | CF/CM42D | 1.01 | 1.14 | 0.93 |
| TPLC080C16MP13C | CF/CM/CU36C | 1.01 | 1.16 | 0.93 |
| TPLC080C16MP13C | CF/CM/CU42C | 1.01 | 1.14 | 0.93 |
| TPLC080C16MP13C | CF/CM24C | 1.01 | 1.16 | 0.93 |
| TPLC080C16MP13C | CF/CM30C | 1.01 | 1.14 | 0.93 |
| TPLC080C16MP13C | CF/CM36D | 1.01 | 1.16 | 0.93 |
| TPLC080C16MP13C | CF/CM42D | 1.01 | 1.14 | 0.93 |
| TPLC100C16MP12C | CF/CM/CU36C | 1.01 | 1.16 | 0.93 |
| TPLC100C16MP12C | CF/CM/CU42C | 1.01 | 1.14 | 0.93 |

FURNACE MULTIPLIERS- 2 TON (Continued)

| Furnaces | Coil | T.C. | S.C. | KW |
|-----------------|-------------|------|------|------|
| TPLC100C16MP12C | CF/CM24C | 1.01 | 1.16 | 0.93 |
| TPLC100C16MP12C | CF/CM30C | 1.01 | 1.14 | 0.93 |
| TPLC100C16MP12C | CF/CM36D | 1.01 | 1.16 | 0.93 |
| TPLC100C16MP12C | CF/CM42D | 1.01 | 1.14 | 0.93 |
| TPLC100C16MP13C | CF/CM/CU36C | 1.01 | 1.16 | 0.93 |
| TPLC100C16MP13C | CF/CM/CU42C | 1.01 | 1.14 | 0.93 |
| TPLC100C16MP13C | CF/CM24C | 1.01 | 1.16 | 0.93 |
| TPLC100C16MP13C | CF/CM30C | 1.01 | 1.14 | 0.93 |
| TPLC100C16MP13C | CF/CM36D | 1.01 | 1.16 | 0.93 |
| TPLC100C16MP13C | CF/CM42D | 1.01 | 1.14 | 0.93 |
| YP9C060B12MP13C | CF/CM/CU24B | 1.01 | 1.06 | 0.93 |
| YP9C060B12MP13C | CF/CM/CU30B | 1.01 | 1.05 | 0.93 |
| YP9C060B12MP13C | CF/CM/CU36B | 1.01 | 1.03 | 0.93 |
| YP9C060B12MP13C | CF/CM/CU36C | 1.01 | 1.03 | 0.93 |
| YP9C060B12MP13C | CF/CM/CU42C | 1.01 | 1.05 | 0.93 |
| YP9C060B12MP13C | CF/CM24C | 1.01 | 1.06 | 0.93 |
| YP9C060B12MP13C | CF/CM30C | 1.01 | 1.05 | 0.93 |
| YP9C060B12MP13C | CF42B | 1.01 | 1.05 | 0.93 |
| YP9C080B12MP12C | CF/CM/CU24B | 1.01 | 1.08 | 0.93 |
| YP9C080B12MP12C | CF/CM/CU30B | 1.01 | 1.12 | 0.93 |
| YP9C080B12MP12C | CF/CM/CU36B | 1.01 | 1.05 | 0.93 |
| YP9C080B12MP12C | CF/CM/CU36C | 1.01 | 1.12 | 0.93 |
| YP9C080B12MP12C | CF/CM/CU42C | 1.01 | 1.12 | 0.93 |
| YP9C080B12MP12C | CF/CM24C | 1.01 | 1.08 | 0.93 |
| YP9C080B12MP12C | CF/CM30C | 1.01 | 1.09 | 0.93 |
| YP9C080B12MP12C | CF42B | 1.01 | 1.10 | 0.93 |
| YP9C080B12MP13C | CF/CM/CU24B | 1.01 | 1.08 | 0.93 |
| YP9C080B12MP13C | CF/CM/CU30B | 1.01 | 1.12 | 0.93 |
| YP9C080B12MP13C | CF/CM/CU36B | 1.01 | 1.05 | 0.93 |
| YP9C080B12MP13C | CF/CM/CU36C | 1.01 | 1.12 | 0.93 |
| YP9C080B12MP13C | CF/CM/CU42C | 1.01 | 1.12 | 0.93 |
| YP9C080B12MP13C | CF/CM24C | 1.01 | 1.08 | 0.93 |
| YP9C080B12MP13C | CF/CM30C | 1.01 | 1.09 | 0.93 |
| YP9C080B12MP13C | CF42B | 1.01 | 1.10 | 0.93 |
| YP9C080C16MP13C | CF/CM/CU36C | 1.01 | 1.19 | 0.93 |
| YP9C080C16MP13C | CF/CM/CU42C | 1.01 | 1.16 | 0.93 |
| YP9C080C16MP13C | CF/CM24C | 1.01 | 1.14 | 0.97 |
| YP9C080C16MP13C | CF/CM30C | 1.01 | 1.18 | 0.93 |
| YP9C080C16MP13C | CF/CM36D | 1.01 | 1.19 | 0.93 |
| YP9C080C16MP13C | CF/CM42D | 1.01 | 1.16 | 0.93 |
| YP9C100C16MP12C | CF/CM/CU36C | 1.01 | 1.15 | 0.93 |
| YP9C100C16MP12C | CF/CM/CU42C | 1.01 | 1.15 | 0.93 |
| YP9C100C16MP12C | CF/CM24C | 1.01 | 1.12 | 0.93 |
| YP9C100C16MP12C | CF/CM30C | 1.01 | 1.15 | 0.93 |
| YP9C100C16MP12C | CF/CM36D | 1.01 | 1.15 | 0.93 |
| YP9C100C16MP12C | CF/CM42D | 1.01 | 1.15 | 0.93 |
| YP9C100C16MP13C | CF/CM/CU36C | 1.01 | 1.15 | 0.93 |
| YP9C100C16MP13C | CF/CM/CU42C | 1.01 | 1.15 | 0.93 |
| YP9C100C16MP13C | CF/CM24C | 1.01 | 1.12 | 0.93 |
| YP9C100C16MP13C | CF/CM30C | 1.01 | 1.15 | 0.93 |
| YP9C100C16MP13C | CF/CM36D | 1.01 | 1.15 | 0.93 |
| YP9C100C16MP13C | CF/CM42D | 1.01 | 1.15 | 0.93 |
| YPLC060A12MP12C | CF/CM/CU24A | 1.00 | 1.01 | 0.92 |
| YPLC060A12MP12C | CF/CM/CU24B | 1.01 | 1.06 | 0.93 |

FURNACE MULTIPLIERS- 2 TON (Continued)

| Furnaces | Coil | T.C. | S.C. | KW |
|-----------------|-------------|------|------|------|
| YPLC060A12MP12C | CF/CM/CU30A | 1.01 | 1.01 | 0.93 |
| YPLC060A12MP12C | CF/CM/CU30B | 1.01 | 1.05 | 0.93 |
| YPLC060A12MP12C | CF/CM/CU36B | 1.01 | 1.05 | 0.93 |
| YPLC060A12MP12C | CF/CM36A | 1.01 | 1.08 | 0.93 |
| YPLC060A12MP12C | CF42B | 1.01 | 1.10 | 0.93 |
| YPLC060A12MP13C | CF/CM/CU24A | 1.00 | 1.01 | 0.92 |
| YPLC060A12MP13C | CF/CM/CU24B | 1.01 | 1.06 | 0.93 |
| YPLC060A12MP13C | CF/CM/CU30A | 1.01 | 1.01 | 0.93 |
| YPLC060A12MP13C | CF/CM/CU30B | 1.01 | 1.05 | 0.93 |
| YPLC060A12MP13C | CF/CM/CU36B | 1.01 | 1.05 | 0.93 |
| YPLC060A12MP13C | CF/CM36A | 1.01 | 1.08 | 0.93 |
| YPLC060A12MP13C | CF42B | 1.01 | 1.10 | 0.93 |
| YPLC080B12MP12C | CF/CM/CU24B | 1.01 | 1.08 | 0.93 |
| YPLC080B12MP12C | CF/CM/CU30B | 1.01 | 1.05 | 0.93 |
| YPLC080B12MP12C | CF/CM/CU36B | 1.01 | 1.05 | 0.93 |
| YPLC080B12MP12C | CF/CM/CU36C | 1.01 | 1.05 | 0.93 |
| YPLC080B12MP12C | CF/CM/CU42C | 1.01 | 1.05 | 0.93 |
| YPLC080B12MP12C | CF/CM24C | 1.01 | 1.08 | 0.93 |
| YPLC080B12MP12C | CF/CM30C | 1.01 | 1.05 | 0.93 |
| YPLC080B12MP12C | CF42B | 1.01 | 1.04 | 0.93 |
| YPLC080B12MP13C | CF/CM/CU24B | 1.01 | 1.08 | 0.93 |
| YPLC080B12MP13C | CF/CM/CU30B | 1.01 | 1.05 | 0.93 |
| YPLC080B12MP13C | CF/CM/CU36B | 1.01 | 1.05 | 0.93 |
| YPLC080B12MP13C | CF/CM/CU36C | 1.01 | 1.05 | 0.93 |
| YPLC080B12MP13C | CF/CM/CU42C | 1.01 | 1.05 | 0.93 |
| YPLC080B12MP13C | CF/CM24C | 1.01 | 1.08 | 0.93 |
| YPLC080B12MP13C | CF/CM30C | 1.01 | 1.05 | 0.93 |
| YPLC080B12MP13C | CF42B | 1.01 | 1.04 | 0.93 |
| YPLC080C16MP12C | CF/CM/CU36C | 1.01 | 1.16 | 0.93 |
| YPLC080C16MP12C | CF/CM/CU42C | 1.01 | 1.14 | 0.93 |
| YPLC080C16MP12C | CF/CM24C | 1.01 | 1.16 | 0.93 |
| YPLC080C16MP12C | CF/CM30C | 1.01 | 1.14 | 0.93 |
| YPLC080C16MP12C | CF/CM36D | 1.01 | 1.16 | 0.93 |
| YPLC080C16MP12C | CF/CM42D | 1.01 | 1.14 | 0.93 |
| YPLC080C16MP13C | CF/CM/CU36C | 1.01 | 1.16 | 0.93 |
| YPLC080C16MP13C | CF/CM/CU42C | 1.01 | 1.14 | 0.93 |
| YPLC080C16MP13C | CF/CM24C | 1.01 | 1.16 | 0.93 |
| YPLC080C16MP13C | CF/CM30C | 1.01 | 1.14 | 0.93 |
| YPLC080C16MP13C | CF/CM36D | 1.01 | 1.16 | 0.93 |
| YPLC080C16MP13C | CF/CM42D | 1.01 | 1.14 | 0.93 |
| YPLC100C16MP12C | CF/CM/CU36C | 1.01 | 1.16 | 0.93 |
| YPLC100C16MP12C | CF/CM/CU42C | 1.01 | 1.14 | 0.93 |
| YPLC100C16MP12C | CF/CM24C | 1.01 | 1.16 | 0.93 |
| YPLC100C16MP12C | CF/CM30C | 1.01 | 1.14 | 0.93 |
| YPLC100C16MP12C | CF/CM36D | 1.01 | 1.16 | 0.93 |
| YPLC100C16MP12C | CF/CM42D | 1.01 | 1.14 | 0.93 |
| YPLC100C16MP13C | CF/CM/CU36C | 1.01 | 1.16 | 0.93 |
| YPLC100C16MP13C | CF/CM/CU42C | 1.01 | 1.14 | 0.93 |
| YPLC100C16MP13C | CF/CM24C | 1.01 | 1.16 | 0.93 |
| YPLC100C16MP13C | CF/CM30C | 1.01 | 1.14 | 0.93 |
| YPLC100C16MP13C | CF/CM36D | 1.01 | 1.16 | 0.93 |
| YPLC100C16MP13C | CF/CM42D | 1.01 | 1.14 | 0.93 |

PERFORMANCE DATA - 2.5 TON

| CONDENSER-ONLY DATA (OUTDOOR UNIT) | | | | | | | | | | | | | | | | | | |
|------------------------------------|-----------------------------------|----------|-----------------------------|------|-------|------|-------|------|-------|------|-------|------|--------|------|--------|------|--------|------|
| MODEL | SATURATED SUCTION @ COMPRESSOR | | Outdoor Ambient Temperature | | | | | | | | | | | | | | | |
| | | | 55 °F | | 65 °F | | 75 °F | | 85 °F | | 95 °F | | 105 °F | | 115 °F | | 125 °F | |
| | T (°F) | P (PSIG) | MBH | KW | MBH | KW | MBH | KW | MBH | KW | MBH | KW | MBH | KW | MBH | KW | MBH | KW |
| TC4B3022S | 35 | 107 | 27.7 | 1.70 | 26.3 | 1.89 | 24.9 | 2.09 | 23.5 | 2.31 | 22.0 | 2.57 | 20.4 | 2.88 | 18.7 | 3.24 | 16.8 | 3.67 |
| | 40 | 118 | 30.6 | 1.69 | 29.0 | 1.88 | 27.5 | 2.08 | 26.0 | 2.30 | 24.4 | 2.55 | 22.7 | 2.85 | 20.9 | 3.21 | 18.9 | 3.62 |
| | 45 | 130 | 33.7 | 1.68 | 31.9 | 1.87 | 30.3 | 2.07 | 28.6 | 2.29 | 27.0 | 2.54 | 25.2 | 2.84 | 23.3 | 3.19 | 21.2 | 3.58 |
| | 50 | 142 | 37.0 | 1.67 | 35.1 | 1.86 | 33.3 | 2.06 | 31.5 | 2.28 | 29.7 | 2.53 | 27.8 | 2.82 | 25.7 | 3.16 | 23.6 | 3.55 |
| | 55 | 156 | 40.6 | 1.66 | 38.5 | 1.86 | 36.5 | 2.06 | 34.6 | 2.28 | 32.6 | 2.52 | 30.6 | 2.81 | 28.4 | 3.14 | 26.1 | 3.52 |

Notes:

- For Outdoor Unit (Condenser) performance only. Data does not include the effects of air handler power or heat.
- Performance based on 15°F subcooling and 15°F superheat at the Outdoor Unit base valves.
 - Increase capacity by 1% for each 2°F increase in subcooling.
 - Decrease capacity by 1% for each 2°F decrease in subcooling.
- Maximum recommended condensing temperature is 140°F.

| COOLING PERFORMANCE DATA | | | | | | | | | | | | | | | | |
|--|------------|-----------|------|------|------|------|------|------|------|------|------|------|------|------|------|------|
| OUTDOOR UNIT MODEL NO. | | TC4B3022S | | | | | | | | | | | | | | |
| INDOOR COIL MODEL NO. | | CF30BXA1 | | | | | | | | | | | | | | |
| AIR TEMP. ENTERING OUTDOOR UNIT (°F) | ID CFM | 800 | | | | | 1000 | | | | | 1200 | | | | |
| | ID DB (°F) | 80 | 80 | 75 | 80 | 80 | 80 | 80 | 75 | 80 | 80 | 80 | 80 | 75 | 80 | 80 |
| | ID WB (°F) | 57 | 62 | 62 | 67 | 72 | 57 | 62 | 62 | 67 | 72 | 57 | 62 | 62 | 67 | 72 |
| 55 | T.C. | 28.0 | 30.4 | 29.8 | 33.2 | 36.3 | 29.3 | 31.8 | 31.1 | 34.5 | 36.6 | 30.6 | 33.2 | 32.5 | 35.9 | 36.8 |
| | S.C. | 27.7 | 24.8 | 21.0 | 20.7 | 16.6 | 29.0 | 27.6 | 22.9 | 22.4 | 17.3 | 30.3 | 30.4 | 24.7 | 24.1 | 17.9 |
| | KW | 1.64 | 1.64 | 1.65 | 1.66 | 1.67 | 1.72 | 1.72 | 1.73 | 1.74 | 1.75 | 1.80 | 1.80 | 1.81 | 1.82 | 1.83 |
| 65 | T.C. | 27.1 | 29.1 | 29.2 | 31.9 | 35.6 | 28.7 | 30.5 | 30.5 | 33.2 | 35.9 | 30.2 | 31.8 | 31.8 | 34.5 | 36.3 |
| | S.C. | 26.9 | 24.3 | 20.8 | 20.3 | 16.2 | 28.4 | 27.1 | 22.8 | 22.2 | 17.2 | 29.9 | 29.9 | 24.9 | 24.1 | 18.1 |
| | KW | 1.80 | 1.81 | 1.81 | 1.82 | 1.83 | 1.88 | 1.88 | 1.89 | 1.90 | 1.91 | 1.96 | 1.96 | 1.97 | 1.97 | 1.99 |
| 75 | T.C. | 26.3 | 27.8 | 28.7 | 30.6 | 34.9 | 28.0 | 29.1 | 29.9 | 31.8 | 35.3 | 29.7 | 30.3 | 31.1 | 33.0 | 35.7 |
| | S.C. | 26.0 | 23.8 | 20.5 | 19.9 | 15.9 | 27.7 | 26.6 | 22.8 | 22.0 | 17.1 | 29.4 | 29.3 | 25.0 | 24.1 | 18.3 |
| | KW | 1.96 | 1.97 | 1.97 | 1.98 | 1.99 | 2.04 | 2.04 | 2.05 | 2.05 | 2.07 | 2.11 | 2.12 | 2.13 | 2.13 | 2.15 |
| 85 | T.C. | 25.1 | 26.9 | 27.3 | 29.6 | 33.0 | 26.9 | 28.1 | 28.6 | 30.8 | 33.7 | 28.7 | 29.3 | 29.8 | 32.0 | 34.3 |
| | S.C. | 24.8 | 23.4 | 19.9 | 19.6 | 15.5 | 26.6 | 26.0 | 22.1 | 21.7 | 16.7 | 28.4 | 28.7 | 24.3 | 23.8 | 17.9 |
| | KW | 2.19 | 2.19 | 2.20 | 2.19 | 2.20 | 2.26 | 2.26 | 2.27 | 2.27 | 2.28 | 2.33 | 2.33 | 2.34 | 2.35 | 2.36 |
| 95 | T.C. | 23.9 | 25.9 | 26.0 | 28.6 | 31.1 | 25.8 | 27.1 | 27.2 | 29.8 | 32.0 | 27.7 | 28.3 | 28.4 | 31.0 | 33.0 |
| | S.C. | 23.6 | 23.0 | 19.2 | 19.3 | 15.0 | 25.5 | 25.5 | 21.4 | 21.4 | 16.3 | 27.4 | 28.0 | 23.6 | 23.5 | 17.5 |
| | KW | 2.42 | 2.41 | 2.42 | 2.41 | 2.41 | 2.49 | 2.48 | 2.49 | 2.48 | 2.49 | 2.55 | 2.55 | 2.56 | 2.56 | 2.57 |
| 105 | T.C. | 22.4 | 24.1 | 24.2 | 26.6 | 29.4 | 24.1 | 25.4 | 25.2 | 27.7 | 30.1 | 25.8 | 26.8 | 26.3 | 28.7 | 30.9 |
| | S.C. | 22.2 | 21.9 | 18.3 | 18.3 | 14.3 | 23.9 | 24.1 | 20.5 | 20.5 | 15.6 | 25.6 | 26.2 | 22.6 | 22.6 | 16.9 |
| | KW | 2.83 | 2.82 | 2.85 | 2.79 | 2.77 | 2.87 | 2.86 | 2.90 | 2.86 | 2.84 | 2.90 | 2.90 | 2.95 | 2.92 | 2.92 |
| 115 | T.C. | 21.1 | 22.4 | 22.4 | 24.7 | 27.7 | 22.5 | 23.8 | 23.3 | 25.6 | 28.3 | 24.0 | 25.3 | 24.2 | 26.5 | 28.9 |
| | S.C. | 20.9 | 20.8 | 17.5 | 17.4 | 13.7 | 22.3 | 22.6 | 19.6 | 19.6 | 15.0 | 23.8 | 24.5 | 21.7 | 21.7 | 16.3 |
| | KW | 3.22 | 3.21 | 3.27 | 3.16 | 3.12 | 3.23 | 3.23 | 3.30 | 3.22 | 3.19 | 3.24 | 3.25 | 3.33 | 3.27 | 3.25 |
| 125 | T.C. | 19.7 | 20.6 | 20.6 | 22.8 | 25.9 | 21.0 | 22.2 | 21.3 | 23.6 | 26.4 | 22.2 | 23.8 | 22.1 | 24.4 | 26.9 |
| | S.C. | 19.5 | 19.8 | 16.6 | 16.5 | 13.0 | 20.8 | 21.2 | 18.7 | 18.7 | 14.4 | 22.0 | 22.7 | 20.8 | 20.8 | 15.7 |
| | KW | 3.61 | 3.61 | 3.69 | 3.53 | 3.47 | 3.60 | 3.60 | 3.70 | 3.58 | 3.53 | 3.59 | 3.59 | 3.71 | 3.62 | 3.59 |

ALL CAPACITIES INCLUDE INDOOR FAN HEAT. KW VALUES ARE FOR THE SYSTEM (OUTDOOR + INDOOR).

Green shaded cells are ACCA (TVA) conditions.

Blue shaded cells are AHRI conditions.

Multipliers for determining the performance with other indoor sections.

NOTE: For dry bulb temperatures different than those listed (between 73-87 °F), sensible capacity increases by 1060 BTUH per 1000 CFM per degree above the listed temperature and decreases by 1060 BTUH per 1000 CFM per degree below the listed temperature.

COIL MULTIPLIERS- 2.5 TON

| Air Handler | Coil | T.C. | S.C. | KW |
|-------------|-------------|------|------|------|
| - | CF/CM/CU30B | 1.00 | 1.00 | 1.00 |
| - | CF/CM/CU36B | 1.00 | 1.08 | 1.00 |
| - | CF/CM/CU36C | 1.00 | 1.08 | 1.00 |
| - | CF/CM/CU42C | 1.01 | 1.07 | 1.01 |
| - | CF/CM30C | 1.00 | 1.09 | 1.00 |
| - | CF/CM36D | 1.00 | 1.08 | 1.00 |
| - | CF/CM42D | 1.01 | 1.07 | 1.01 |
| AE30BX21 | - | 1.01 | 1.02 | 0.93 |
| AE36BX21 | - | 1.01 | 0.99 | 0.91 |
| AE36CX21 | - | 1.01 | 1.06 | 0.91 |
| AP30BX21 | - | 1.00 | 1.00 | 1.00 |
| AP36CX21 | - | 1.01 | 1.12 | 1.01 |
| AVC30BX21 | - | 1.00 | 1.01 | 0.92 |
| AVC36BX21 | - | 1.01 | 1.00 | 0.91 |
| AVC36CX21 | - | 1.01 | 1.03 | 0.91 |
| ME08BN21 | CF/CM30B | 1.01 | 1.04 | 0.91 |
| ME08BN21 | CF/CM36B | 1.01 | 1.03 | 0.91 |
| ME08BN21 | CF42B | 1.01 | 1.02 | 0.91 |
| ME12BN21 | CF/CM30B | 1.01 | 1.01 | 0.91 |
| ME12BN21 | CF/CM36B | 1.01 | 1.00 | 0.91 |
| ME12BN21 | CF42B | 1.01 | 1.02 | 0.91 |
| ME12CN21 | CF/CM30C | 1.01 | 1.08 | 0.91 |
| ME12CN21 | CF/CM36C | 1.01 | 0.99 | 0.91 |
| ME12CN21 | CF/CM42C | 1.01 | 1.08 | 0.91 |
| ME14DN21 | CF/CM36D | 1.01 | 1.09 | 0.91 |
| ME14DN21 | CF/CM42D | 1.01 | 1.08 | 0.91 |
| ME16CN21 | CF/CM30C | 1.01 | 1.04 | 0.91 |
| ME16CN21 | CF/CM36C | 1.01 | 1.03 | 0.91 |
| ME16CN21 | CF/CM42C | 1.01 | 1.03 | 0.91 |
| MVC08BN21 | CF/CM30B | 1.00 | 1.01 | 0.92 |
| MVC08BN21 | CF/CM36B | 1.01 | 0.99 | 0.91 |
| MVC08BN21 | CF42B | 1.01 | 1.02 | 0.91 |
| MVC12BN21 | CF/CM30B | 1.01 | 1.03 | 0.91 |
| MVC12BN21 | CF/CM36B | 1.01 | 1.02 | 0.91 |
| MVC12BN21 | CF42B | 1.01 | 1.02 | 0.91 |
| MVC12CN21 | CF/CM30C | 1.01 | 1.08 | 0.91 |
| MVC12CN21 | CF/CM36C | 1.01 | 1.10 | 0.91 |
| MVC12CN21 | CF/CM42C | 1.01 | 1.06 | 0.91 |
| MVC14DN21 | CF/CM36D | 1.01 | 1.10 | 0.91 |
| MVC14DN21 | CF/CM42D | 1.01 | 1.07 | 0.91 |
| MVC16CN21 | CF/CM30C | 1.01 | 1.13 | 0.91 |
| MVC16CN21 | CF/CM36C | 1.01 | 1.04 | 0.91 |
| MVC16CN21 | CF/CM42C | 1.01 | 1.12 | 0.91 |

FURNACE MULTIPLIERS- 2.5 TON

| Furnaces | Coil | T.C. | S.C. | KW |
|----------------|-------------|------|------|------|
| TL8E060A12UH11 | CF/CM/CU30B | 1.00 | 1.03 | 0.96 |
| TL8E060A12UH11 | CF/CM/CU36B | 1.01 | 1.03 | 0.97 |
| TL8E060A12UH11 | CF42B | 1.01 | 1.03 | 0.97 |
| TL8E080C16UH11 | CF/CM/CU36C | 1.01 | 1.07 | 0.95 |
| TL8E080C16UH11 | CF/CM/CU42C | 1.01 | 1.07 | 0.95 |
| TL8E080C16UH11 | CF/CM30C | 1.01 | 1.07 | 0.97 |
| TL8E080C16UH11 | CF/CM36D | 1.01 | 1.07 | 0.97 |
| TL8E080C16UH11 | CF/CM42D | 1.01 | 1.07 | 0.97 |
| TL8E100C20UH11 | CF/CM/CU36C | 1.01 | 1.12 | 0.95 |
| TL8E100C20UH11 | CF/CM/CU42C | 1.01 | 1.11 | 0.95 |
| TL8E100C20UH11 | CF/CM30C | 1.01 | 1.12 | 0.95 |
| TL8E100C20UH11 | CF/CM36D | 1.01 | 1.12 | 0.97 |
| TL8E100C20UH11 | CF/CM42D | 1.01 | 1.11 | 0.95 |
| TL9E060B12UH11 | CF/CM/CU30B | 1.00 | 1.03 | 0.96 |
| TL9E060B12UH11 | CF/CM/CU36B | 1.01 | 1.03 | 0.97 |
| TL9E060B12UH11 | CF/CM/CU36C | 1.01 | 1.04 | 0.97 |
| TL9E060B12UH11 | CF/CM/CU42C | 1.01 | 1.05 | 0.97 |
| TL9E060B12UH11 | CF/CM30C | 1.00 | 1.03 | 0.96 |
| TL9E060B12UH11 | CF42B | 1.01 | 1.03 | 0.97 |
| TL9E080C16UH11 | CF/CM/CU36C | 1.01 | 1.05 | 0.95 |
| TL9E080C16UH11 | CF/CM/CU42C | 1.01 | 1.06 | 0.95 |
| TL9E080C16UH11 | CF/CM30C | 1.01 | 1.06 | 0.97 |
| TL9E080C16UH11 | CF/CM36D | 1.01 | 1.05 | 0.97 |
| TL9E080C16UH11 | CF/CM42D | 1.01 | 1.06 | 0.97 |
| TL9E100C20UH11 | CF/CM/CU36C | 1.01 | 1.16 | 0.97 |
| TL9E100C20UH11 | CF/CM/CU42C | 1.01 | 1.15 | 0.95 |
| TL9E100C20UH11 | CF/CM30C | 1.01 | 1.15 | 0.97 |
| TL9E100C20UH11 | CF/CM36D | 1.01 | 1.19 | 0.97 |
| TL9E100C20UH11 | CF/CM42D | 1.01 | 1.16 | 0.97 |
| TM8E040A12MP11 | CF/CM/CU30B | 1.01 | 1.05 | 0.97 |
| TM8E040A12MP11 | CF/CM/CU36B | 0.99 | 0.96 | 0.95 |
| TM8E040A12MP11 | CF42B | 0.99 | 0.97 | 0.95 |
| TM8E060A12MP11 | CF/CM/CU30B | 0.99 | 1.02 | 0.95 |
| TM8E060A12MP11 | CF/CM/CU36B | 0.99 | 0.96 | 0.95 |
| TM8E060A12MP11 | CF42B | 1.01 | 1.01 | 0.97 |
| TM8E080B12MP11 | CF/CM/CU30B | 1.01 | 1.06 | 0.97 |
| TM8E080B12MP11 | CF/CM/CU36B | 1.01 | 1.04 | 0.97 |
| TM8E080B12MP11 | CF/CM/CU36C | 1.01 | 1.05 | 0.97 |
| TM8E080B12MP11 | CF/CM/CU42C | 1.01 | 1.06 | 0.97 |
| TM8E080B12MP11 | CF/CM30C | 1.01 | 1.06 | 0.97 |
| TM8E080B12MP11 | CF42B | 1.01 | 1.05 | 0.97 |
| TM8E080C16MP11 | CF/CM/CU36C | 1.01 | 1.00 | 0.95 |
| TM8E080C16MP11 | CF/CM/CU42C | 1.01 | 1.07 | 0.95 |
| TM8E080C16MP11 | CF/CM30C | 1.01 | 1.07 | 0.97 |
| TM8E080C16MP11 | CF/CM36D | 1.01 | 1.07 | 0.97 |
| TM8E080C16MP11 | CF/CM42D | 1.01 | 1.07 | 0.97 |
| TM8E100B12MP11 | CF/CM/CU30B | 1.00 | 1.01 | 0.96 |
| TM8E100B12MP11 | CF/CM/CU36B | 1.01 | 1.01 | 0.97 |
| TM8E100B12MP11 | CF/CM/CU36C | 1.01 | 1.01 | 0.97 |
| TM8E100B12MP11 | CF/CM/CU42C | 1.01 | 1.03 | 0.97 |
| TM8E100B12MP11 | CF/CM30C | 1.00 | 1.01 | 0.96 |
| TM8E100B12MP11 | CF42B | 1.01 | 1.01 | 0.97 |
| TM8E100C16MP11 | CF/CM/CU36C | 1.01 | 1.06 | 0.95 |
| TM8E100C16MP11 | CF/CM/CU42C | 1.01 | 1.07 | 0.95 |
| TM8E100C16MP11 | CF/CM30C | 1.01 | 1.07 | 0.97 |

FURNACE MULTIPLIERS- 2.5 TON (Continued)

| Furnaces | Coil | T.C. | S.C. | KW |
|-----------------|-------------|------|------|------|
| TM8E100C16MP11 | CF/CM36D | 1.01 | 1.07 | 0.97 |
| TM8E100C16MP11 | CF/CM42D | 1.01 | 1.07 | 0.95 |
| TM8E120C16MP11 | CF/CM/CU36C | 1.01 | 1.07 | 0.95 |
| TM8E120C16MP11 | CF/CM/CU42C | 1.01 | 1.07 | 0.95 |
| TM8E120C16MP11 | CF/CM30C | 1.01 | 1.07 | 0.97 |
| TM8E120C16MP11 | CF/CM36D | 1.01 | 1.00 | 0.95 |
| TM8E120C16MP11 | CF/CM42D | 1.01 | 1.07 | 0.95 |
| TM8V060A12MP11C | CF/CM/CU30A | 1.00 | 1.04 | 0.96 |
| TM8V060A12MP11C | CF/CM/CU30B | 1.01 | 1.04 | 0.95 |
| TM8V060A12MP11C | CF/CM/CU36B | 1.01 | 1.04 | 0.93 |
| TM8V060A12MP11C | CF/CM36A | 1.01 | 1.04 | 0.95 |
| TM8V060A12MP11C | CF42B | 1.01 | 1.04 | 0.93 |
| TM8V060A12MP12C | CF/CM/CU30A | 1.00 | 1.04 | 0.96 |
| TM8V060A12MP12C | CF/CM/CU30B | 1.01 | 1.04 | 0.95 |
| TM8V060A12MP12C | CF/CM/CU36B | 1.01 | 1.04 | 0.93 |
| TM8V060A12MP12C | CF/CM36A | 1.01 | 1.04 | 0.95 |
| TM8V060A12MP12C | CF42B | 1.01 | 1.04 | 0.93 |
| TM8V080B12MP11C | CF/CM/CU30B | 0.99 | 1.00 | 0.93 |
| TM8V080B12MP11C | CF/CM/CU36B | 1.01 | 1.01 | 0.95 |
| TM8V080B12MP11C | CF/CM/CU36C | 1.01 | 1.01 | 0.95 |
| TM8V080B12MP11C | CF/CM/CU42C | 1.01 | 1.01 | 0.93 |
| TM8V080B12MP11C | CF/CM30C | 1.00 | 1.01 | 0.94 |
| TM8V080B12MP11C | CF42B | 1.01 | 1.01 | 0.95 |
| TM8V080B12MP12C | CF/CM/CU30B | 0.99 | 1.00 | 0.93 |
| TM8V080B12MP12C | CF/CM/CU36B | 1.01 | 1.01 | 0.95 |
| TM8V080B12MP12C | CF/CM/CU36C | 1.01 | 1.01 | 0.95 |
| TM8V080B12MP12C | CF/CM/CU42C | 1.01 | 1.01 | 0.93 |
| TM8V080B12MP12C | CF/CM30C | 1.00 | 1.01 | 0.94 |
| TM8V080B12MP12C | CF42B | 1.01 | 1.01 | 0.95 |
| TM8V080C16MP11C | CF/CM/CU36C | 1.01 | 1.04 | 0.91 |
| TM8V080C16MP11C | CF/CM/CU42C | 1.01 | 1.04 | 0.91 |
| TM8V080C16MP11C | CF/CM30C | 1.01 | 1.04 | 0.93 |
| TM8V080C16MP11C | CF/CM36D | 1.01 | 1.04 | 0.91 |
| TM8V080C16MP11C | CF/CM42D | 1.01 | 1.04 | 0.91 |
| TM8V080C16MP12C | CF/CM/CU36C | 1.01 | 1.04 | 0.91 |
| TM8V080C16MP12C | CF/CM/CU42C | 1.01 | 1.04 | 0.91 |
| TM8V080C16MP12C | CF/CM30C | 1.01 | 1.04 | 0.93 |
| TM8V080C16MP12C | CF/CM36D | 1.01 | 1.04 | 0.91 |
| TM8V080C16MP12C | CF/CM42D | 1.01 | 1.04 | 0.91 |
| TM8V100C16MP11C | CF/CM/CU36C | 1.01 | 1.04 | 0.91 |
| TM8V100C16MP11C | CF/CM/CU42C | 1.01 | 1.04 | 0.91 |
| TM8V100C16MP11C | CF/CM30C | 1.01 | 1.04 | 0.93 |
| TM8V100C16MP11C | CF/CM36D | 1.01 | 1.04 | 0.91 |
| TM8V100C16MP11C | CF/CM42D | 1.01 | 1.04 | 0.91 |
| TM8V100C16MP12C | CF/CM/CU36C | 1.01 | 1.04 | 0.91 |
| TM8V100C16MP12C | CF/CM/CU42C | 1.01 | 1.04 | 0.91 |
| TM8V100C16MP12C | CF/CM30C | 1.01 | 1.04 | 0.93 |
| TM8V100C16MP12C | CF/CM36D | 1.01 | 1.04 | 0.91 |
| TM8V100C16MP12C | CF/CM42D | 1.01 | 1.04 | 0.91 |
| TM8X060A12MP11 | CF/CM/CU30A | 0.99 | 1.03 | 0.95 |
| TM8X060A12MP11 | CF/CM/CU30B | 1.01 | 1.07 | 0.95 |
| TM8X060A12MP11 | CF/CM/CU36B | 1.01 | 1.06 | 0.95 |
| TM8X060A12MP11 | CF/CM36A | 1.01 | 1.04 | 0.95 |
| TM8X060A12MP11 | CF42B | 1.01 | 1.07 | 0.95 |
| TM8X080B12MP11 | CF/CM/CU30B | 1.00 | 1.01 | 0.92 |

FURNACE MULTIPLIERS- 2.5 TON (Continued)

| Furnaces | Coil | T.C. | S.C. | KW |
|----------------|-------------|------|------|------|
| TM8X080B12MP11 | CF/CM/CU36B | 1.01 | 1.01 | 0.93 |
| TM8X080B12MP11 | CF/CM/CU36C | 1.01 | 1.01 | 0.93 |
| TM8X080B12MP11 | CF/CM/CU42C | 1.01 | 1.02 | 0.91 |
| TM8X080B12MP11 | CF/CM30C | 1.00 | 1.01 | 0.92 |
| TM8X080B12MP11 | CF42B | 1.01 | 1.07 | 0.93 |
| TM8X080C16MP11 | CF/CM/CU36C | 1.01 | 1.07 | 0.91 |
| TM8X080C16MP11 | CF/CM/CU42C | 1.01 | 1.07 | 0.91 |
| TM8X080C16MP11 | CF/CM30C | 1.01 | 1.08 | 0.93 |
| TM8X080C16MP11 | CF/CM36D | 1.01 | 1.07 | 0.91 |
| TM8X080C16MP11 | CF/CM42D | 1.01 | 1.08 | 0.91 |
| TM8X100C16MP11 | CF/CM/CU36C | 1.01 | 1.07 | 0.91 |
| TM8X100C16MP11 | CF/CM/CU42C | 1.01 | 1.07 | 0.91 |
| TM8X100C16MP11 | CF/CM30C | 1.01 | 1.08 | 0.93 |
| TM8X100C16MP11 | CF/CM36D | 1.01 | 1.07 | 0.91 |
| TM8X100C16MP11 | CF/CM42D | 1.01 | 1.08 | 0.91 |
| TM8X100C20MP11 | CF/CM/CU36C | 1.01 | 1.09 | 0.91 |
| TM8X100C20MP11 | CF/CM/CU42C | 1.01 | 1.09 | 0.91 |
| TM8X100C20MP11 | CF/CM30C | 1.01 | 1.10 | 0.91 |
| TM8X100C20MP11 | CF/CM36D | 1.01 | 1.09 | 0.91 |
| TM8X100C20MP11 | CF/CM42D | 1.01 | 1.09 | 0.91 |
| TM8X120C20MP11 | CF/CM/CU36C | 1.01 | 1.09 | 0.91 |
| TM8X120C20MP11 | CF/CM/CU42C | 1.01 | 1.09 | 0.91 |
| TM8X120C20MP11 | CF/CM30C | 1.01 | 1.10 | 0.91 |
| TM8X120C20MP11 | CF/CM36D | 1.01 | 1.09 | 0.91 |
| TM8X120C20MP11 | CF/CM42D | 1.01 | 1.09 | 0.91 |
| TM8Y060A12MP11 | CF/CM/CU30A | 0.99 | 1.03 | 0.95 |
| TM8Y060A12MP11 | CF/CM/CU30B | 1.01 | 1.07 | 0.95 |
| TM8Y060A12MP11 | CF/CM/CU36B | 1.01 | 1.06 | 0.95 |
| TM8Y060A12MP11 | CF/CM36A | 1.01 | 1.04 | 0.95 |
| TM8Y060A12MP11 | CF42B | 1.01 | 1.07 | 0.95 |
| TM8Y080B12MP11 | CF/CM/CU30B | 1.00 | 1.01 | 0.92 |
| TM8Y080B12MP11 | CF/CM/CU36B | 1.01 | 1.01 | 0.93 |
| TM8Y080B12MP11 | CF/CM/CU36C | 1.01 | 1.01 | 0.93 |
| TM8Y080B12MP11 | CF/CM/CU42C | 1.01 | 1.02 | 0.91 |
| TM8Y080B12MP11 | CF/CM30C | 1.00 | 1.01 | 0.92 |
| TM8Y080B12MP11 | CF42B | 1.01 | 1.07 | 0.93 |
| TM8Y080C16MP11 | CF/CM/CU36C | 1.01 | 1.07 | 0.91 |
| TM8Y080C16MP11 | CF/CM/CU42C | 1.01 | 1.07 | 0.91 |
| TM8Y080C16MP11 | CF/CM30C | 1.01 | 1.08 | 0.93 |
| TM8Y080C16MP11 | CF/CM36D | 1.01 | 1.07 | 0.91 |
| TM8Y080C16MP11 | CF/CM42D | 1.01 | 1.08 | 0.91 |
| TM8Y100C16MP11 | CF/CM/CU36C | 1.01 | 1.07 | 0.91 |
| TM8Y100C16MP11 | CF/CM/CU42C | 1.01 | 1.07 | 0.91 |
| TM8Y100C16MP11 | CF/CM30C | 1.01 | 1.08 | 0.93 |
| TM8Y100C16MP11 | CF/CM36D | 1.01 | 1.07 | 0.91 |
| TM8Y100C16MP11 | CF/CM42D | 1.01 | 1.08 | 0.91 |
| TM8Y100C20MP11 | CF/CM/CU36C | 1.01 | 1.09 | 0.91 |
| TM8Y100C20MP11 | CF/CM/CU42C | 1.01 | 1.09 | 0.91 |
| TM8Y100C20MP11 | CF/CM30C | 1.01 | 1.10 | 0.91 |
| TM8Y100C20MP11 | CF/CM36D | 1.01 | 1.09 | 0.91 |
| TM8Y100C20MP11 | CF/CM42D | 1.01 | 1.09 | 0.91 |
| TM8Y120C20MP11 | CF/CM/CU36C | 1.01 | 1.09 | 0.91 |
| TM8Y120C20MP11 | CF/CM/CU42C | 1.01 | 1.09 | 0.91 |
| TM8Y120C20MP11 | CF/CM30C | 1.01 | 1.10 | 0.91 |
| TM8Y120C20MP11 | CF/CM36D | 1.01 | 1.09 | 0.91 |

FURNACE MULTIPLIERS- 2.5 TON (Continued)

| Furnaces | Coil | T.C. | S.C. | KW |
|-----------------|-------------|------|------|------|
| TM8Y120C20MP11 | CF/CM42D | 1.01 | 1.09 | 0.91 |
| TM9E040A10MP12 | CF/CM/CU30B | 0.99 | 1.01 | 0.97 |
| TM9E040A10MP12 | CF/CM/CU36B | 0.99 | 0.99 | 0.95 |
| TM9E040A10MP12 | CF42B | 1.00 | 1.00 | 0.96 |
| TM9E060A10MP12 | CF/CM/CU30B | 1.00 | 1.02 | 0.96 |
| TM9E060A10MP12 | CF/CM/CU36B | 1.01 | 1.01 | 0.97 |
| TM9E060A10MP12 | CF42B | 1.00 | 1.01 | 0.96 |
| TM9E060B12MP11 | CF/CM/CU30B | 1.00 | 1.03 | 0.94 |
| TM9E060B12MP11 | CF/CM/CU36B | 1.01 | 1.03 | 0.95 |
| TM9E060B12MP11 | CF/CM/CU36C | 1.01 | 1.04 | 0.95 |
| TM9E060B12MP11 | CF/CM/CU42C | 1.01 | 1.05 | 0.95 |
| TM9E060B12MP11 | CF/CM30C | 1.01 | 1.04 | 0.95 |
| TM9E060B12MP11 | CF42B | 1.01 | 1.04 | 0.95 |
| TM9E060B12MP12 | CF/CM/CU30B | 1.01 | 1.07 | 0.97 |
| TM9E060B12MP12 | CF/CM/CU36B | 1.01 | 1.07 | 0.97 |
| TM9E060B12MP12 | CF/CM/CU36C | 1.01 | 1.07 | 0.97 |
| TM9E060B12MP12 | CF/CM/CU42C | 1.01 | 1.07 | 0.97 |
| TM9E060B12MP12 | CF/CM30C | 1.01 | 1.07 | 0.97 |
| TM9E060B12MP12 | CF42B | 1.01 | 1.07 | 0.97 |
| TM9E080B12MP11 | CF/CM/CU30B | 1.01 | 1.04 | 0.95 |
| TM9E080B12MP11 | CF/CM/CU36B | 1.01 | 1.04 | 0.93 |
| TM9E080B12MP11 | CF/CM/CU36C | 1.01 | 1.05 | 0.93 |
| TM9E080B12MP11 | CF/CM/CU42C | 1.01 | 1.06 | 0.93 |
| TM9E080B12MP11 | CF/CM30C | 1.01 | 1.06 | 0.93 |
| TM9E080B12MP11 | CF42B | 1.01 | 1.04 | 0.93 |
| TM9E080B12MP12 | CF/CM/CU30B | 0.99 | 0.98 | 0.95 |
| TM9E080B12MP12 | CF/CM/CU36B | 1.00 | 0.98 | 0.96 |
| TM9E080B12MP12 | CF/CM/CU36C | 1.01 | 1.00 | 0.97 |
| TM9E080B12MP12 | CF/CM/CU42C | 1.01 | 1.01 | 0.97 |
| TM9E080B12MP12 | CF/CM30C | 0.99 | 1.02 | 0.95 |
| TM9E080B12MP12 | CF42B | 1.00 | 0.99 | 0.96 |
| TM9E080C16MP11 | CF/CM/CU36C | 1.01 | 1.08 | 0.93 |
| TM9E080C16MP11 | CF/CM/CU42C | 1.01 | 1.08 | 0.91 |
| TM9E080C16MP11 | CF/CM30C | 1.01 | 1.08 | 0.93 |
| TM9E080C16MP11 | CF/CM36D | 1.01 | 1.08 | 0.93 |
| TM9E080C16MP11 | CF/CM42D | 1.01 | 1.08 | 0.91 |
| TM9E080C16MP12 | CF/CM/CU36C | 1.01 | 1.04 | 0.97 |
| TM9E080C16MP12 | CF/CM/CU42C | 1.01 | 1.04 | 0.97 |
| TM9E080C16MP12 | CF/CM30C | 1.01 | 1.04 | 0.97 |
| TM9E080C16MP12 | CF/CM36D | 1.01 | 1.05 | 0.97 |
| TM9E080C16MP12 | CF/CM42D | 1.01 | 1.06 | 0.97 |
| TM9E100C16MP11 | CF/CM/CU36C | 1.01 | 1.08 | 0.93 |
| TM9E100C16MP11 | CF/CM/CU42C | 1.01 | 1.08 | 0.91 |
| TM9E100C16MP11 | CF/CM30C | 1.01 | 1.08 | 0.93 |
| TM9E100C16MP11 | CF/CM36D | 1.01 | 1.08 | 0.91 |
| TM9E100C16MP11 | CF/CM42D | 1.01 | 1.09 | 0.91 |
| TM9E100C16MP12 | CF/CM/CU36C | 0.99 | 0.96 | 0.93 |
| TM9E100C16MP12 | CF/CM/CU42C | 1.01 | 1.07 | 0.95 |
| TM9E100C16MP12 | CF/CM30C | 1.01 | 1.07 | 0.97 |
| TM9E100C16MP12 | CF/CM36D | 1.00 | 0.98 | 0.96 |
| TM9E100C16MP12 | CF/CM42D | 1.00 | 0.99 | 0.96 |
| TM9E100C20MP12 | CF/CM/CU36C | 1.01 | 1.19 | 0.97 |
| TM9E120D20MP11 | CF/CM36D | 1.01 | 1.07 | 0.91 |
| TM9E120D20MP11 | CF/CM42D | 1.01 | 1.07 | 0.91 |
| TM9V040A10MP12C | CF/CM/CU30A | 0.99 | 1.02 | 0.99 |

FURNACE MULTIPLIERS- 2.5 TON (Continued)

| Furnaces | Coil | T.C. | S.C. | KW |
|-----------------|-------------|------|------|------|
| TM9V040A10MP12C | CF/CM/CU30B | 1.00 | 1.04 | 0.98 |
| TM9V040A10MP12C | CF/CM/CU36B | 1.01 | 1.04 | 0.99 |
| TM9V040A10MP12C | CF/CM36A | 1.01 | 1.04 | 0.99 |
| TM9V040A10MP12C | CF42B | 1.01 | 1.06 | 0.99 |
| TM9V060B12MP12C | CF/CM/CU30B | 1.01 | 1.05 | 0.97 |
| TM9V060B12MP12C | CF/CM/CU36B | 1.01 | 1.04 | 0.95 |
| TM9V060B12MP12C | CF/CM/CU36C | 1.01 | 1.04 | 0.95 |
| TM9V060B12MP12C | CF/CM/CU42C | 1.01 | 1.05 | 0.95 |
| TM9V060B12MP12C | CF/CM30C | 1.01 | 1.04 | 0.95 |
| TM9V060B12MP12C | CF42B | 1.01 | 1.04 | 0.95 |
| TM9V080B12MP11C | CF/CM/CU30B | 1.01 | 1.03 | 0.95 |
| TM9V080B12MP11C | CF/CM/CU36B | 1.01 | 1.03 | 0.93 |
| TM9V080B12MP11C | CF/CM/CU36C | 1.01 | 1.03 | 0.93 |
| TM9V080B12MP11C | CF/CM/CU42C | 1.01 | 1.04 | 0.93 |
| TM9V080B12MP11C | CF/CM30C | 1.01 | 1.03 | 0.93 |
| TM9V080B12MP11C | CF42B | 1.01 | 1.04 | 0.93 |
| TM9V080B12MP12C | CF/CM/CU30B | 1.01 | 1.03 | 0.95 |
| TM9V080B12MP12C | CF/CM/CU36B | 1.01 | 1.03 | 0.93 |
| TM9V080B12MP12C | CF/CM/CU36C | 1.01 | 1.03 | 0.93 |
| TM9V080B12MP12C | CF/CM/CU42C | 1.01 | 1.04 | 0.93 |
| TM9V080B12MP12C | CF/CM30C | 1.01 | 1.03 | 0.93 |
| TM9V080B12MP12C | CF42B | 1.01 | 1.04 | 0.93 |
| TM9V080C16MP11C | CF/CM/CU36C | 1.01 | 1.07 | 0.93 |
| TM9V080C16MP11C | CF/CM/CU42C | 1.01 | 1.07 | 0.93 |
| TM9V080C16MP11C | CF/CM30C | 1.01 | 1.07 | 0.93 |
| TM9V080C16MP11C | CF/CM36D | 1.01 | 1.07 | 0.93 |
| TM9V080C16MP11C | CF/CM42D | 1.01 | 1.07 | 0.91 |
| TM9V080C16MP12C | CF/CM/CU36C | 1.01 | 1.07 | 0.93 |
| TM9V080C16MP12C | CF/CM/CU42C | 1.01 | 1.07 | 0.93 |
| TM9V080C16MP12C | CF/CM30C | 1.01 | 1.07 | 0.93 |
| TM9V080C16MP12C | CF/CM36D | 1.01 | 1.07 | 0.93 |
| TM9V080C16MP12C | CF/CM42D | 1.01 | 1.07 | 0.91 |
| TM9V100C16MP11C | CF/CM/CU36C | 1.01 | 1.05 | 0.91 |
| TM9V100C16MP11C | CF/CM/CU42C | 1.01 | 1.06 | 0.91 |
| TM9V100C16MP11C | CF/CM30C | 1.01 | 1.06 | 0.93 |
| TM9V100C16MP11C | CF/CM36D | 1.01 | 1.05 | 0.91 |
| TM9V100C16MP11C | CF/CM42D | 1.01 | 1.06 | 0.91 |
| TM9V100C16MP12C | CF/CM/CU36C | 1.01 | 1.05 | 0.91 |
| TM9V100C16MP12C | CF/CM/CU42C | 1.01 | 1.06 | 0.91 |
| TM9V100C16MP12C | CF/CM30C | 1.01 | 1.06 | 0.93 |
| TM9V100C16MP12C | CF/CM36D | 1.01 | 1.05 | 0.91 |
| TM9V100C16MP12C | CF/CM42D | 1.01 | 1.06 | 0.91 |
| TM9V100C20MP11C | CF/CM/CU36C | 1.01 | 1.14 | 0.93 |
| TM9V100C20MP11C | CF/CM/CU42C | 1.01 | 1.15 | 0.93 |
| TM9V100C20MP11C | CF/CM30C | 1.01 | 1.13 | 0.95 |
| TM9V100C20MP11C | CF/CM36D | 1.01 | 1.14 | 0.93 |
| TM9V100C20MP11C | CF/CM42D | 1.01 | 1.15 | 0.93 |
| TM9V100C20MP12C | CF/CM/CU36C | 1.01 | 1.14 | 0.93 |
| TM9V100C20MP12C | CF/CM/CU42C | 1.01 | 1.15 | 0.93 |
| TM9V100C20MP12C | CF/CM30C | 1.01 | 1.13 | 0.95 |
| TM9V100C20MP12C | CF/CM36D | 1.01 | 1.14 | 0.93 |
| TM9V100C20MP12C | CF/CM42D | 1.01 | 1.15 | 0.93 |
| TM9V120D20MP11C | CF/CM36D | 1.01 | 1.12 | 0.91 |
| TM9V120D20MP11C | CF/CM42D | 1.01 | 1.11 | 0.91 |
| TM9V120D20MP12C | CF/CM36D | 1.01 | 1.12 | 0.91 |

FURNACE MULTIPLIERS- 2.5 TON (Continued)

| Furnaces | Coil | T.C. | S.C. | KW |
|-----------------|-------------|------|------|------|
| TM9V120D20MP12C | CF/CM42D | 1.01 | 1.11 | 0.91 |
| TM9Y060B12MP11 | CF/CM/CU30B | 1.00 | 1.03 | 0.94 |
| TM9Y060B12MP11 | CF/CM/CU36B | 1.01 | 1.03 | 0.95 |
| TM9Y060B12MP11 | CF/CM/CU36C | 1.01 | 1.04 | 0.95 |
| TM9Y060B12MP11 | CF/CM/CU42C | 1.01 | 1.05 | 0.95 |
| TM9Y060B12MP11 | CF/CM30C | 1.01 | 1.04 | 0.95 |
| TM9Y060B12MP11 | CF42B | 1.01 | 1.04 | 0.95 |
| TM9Y080B12MP11 | CF/CM/CU30B | 1.01 | 1.04 | 0.95 |
| TM9Y080B12MP11 | CF/CM/CU36B | 1.01 | 1.04 | 0.93 |
| TM9Y080B12MP11 | CF/CM/CU36C | 1.01 | 1.05 | 0.93 |
| TM9Y080B12MP11 | CF/CM/CU42C | 1.01 | 1.06 | 0.93 |
| TM9Y080B12MP11 | CF/CM30C | 1.01 | 1.06 | 0.93 |
| TM9Y080B12MP11 | CF42B | 1.01 | 1.04 | 0.93 |
| TM9Y080C16MP11 | CF/CM/CU36C | 1.01 | 1.08 | 0.93 |
| TM9Y080C16MP11 | CF/CM/CU42C | 1.01 | 1.08 | 0.91 |
| TM9Y080C16MP11 | CF/CM30C | 1.01 | 1.08 | 0.93 |
| TM9Y080C16MP11 | CF/CM36D | 1.01 | 1.08 | 0.93 |
| TM9Y080C16MP11 | CF/CM42D | 1.01 | 1.08 | 0.91 |
| TM9Y100C16MP11 | CF/CM/CU36C | 1.01 | 1.08 | 0.93 |
| TM9Y100C16MP11 | CF/CM/CU42C | 1.01 | 1.08 | 0.91 |
| TM9Y100C16MP11 | CF/CM30C | 1.01 | 1.08 | 0.93 |
| TM9Y100C16MP11 | CF/CM36D | 1.01 | 1.08 | 0.91 |
| TM9Y100C16MP11 | CF/CM42D | 1.01 | 1.09 | 0.91 |
| TM9Y120D20MP11 | CF/CM36D | 1.01 | 1.07 | 0.91 |
| TM9Y120D20MP11 | CF/CM42D | 1.01 | 1.07 | 0.91 |
| TMLV060A12MP11C | CF/CM/CU30A | 1.00 | 1.04 | 0.96 |
| TMLV060A12MP11C | CF/CM/CU30B | 1.01 | 1.04 | 0.95 |
| TMLV060A12MP11C | CF/CM/CU36B | 1.01 | 1.04 | 0.93 |
| TMLV060A12MP11C | CF/CM36A | 1.01 | 1.04 | 0.95 |
| TMLV060A12MP11C | CF42B | 1.01 | 1.04 | 0.93 |
| TMLV060A12MP12C | CF/CM/CU30A | 1.00 | 1.04 | 0.96 |
| TMLV060A12MP12C | CF/CM/CU30B | 1.01 | 1.04 | 0.95 |
| TMLV060A12MP12C | CF/CM/CU36B | 1.01 | 1.04 | 0.93 |
| TMLV060A12MP12C | CF/CM36A | 1.01 | 1.04 | 0.95 |
| TMLV060A12MP12C | CF42B | 1.01 | 1.04 | 0.93 |
| TMLV080B12MP11C | CF/CM/CU30B | 0.99 | 1.00 | 0.93 |
| TMLV080B12MP11C | CF/CM/CU36B | 1.01 | 1.01 | 0.95 |
| TMLV080B12MP11C | CF/CM/CU36C | 1.01 | 1.01 | 0.95 |
| TMLV080B12MP11C | CF/CM/CU42C | 1.01 | 1.01 | 0.93 |
| TMLV080B12MP11C | CF/CM30C | 1.00 | 1.01 | 0.94 |
| TMLV080B12MP11C | CF42B | 1.01 | 1.01 | 0.95 |
| TMLV080B12MP12C | CF/CM/CU30B | 0.99 | 1.00 | 0.93 |
| TMLV080B12MP12C | CF/CM/CU36B | 1.01 | 1.01 | 0.95 |
| TMLV080B12MP12C | CF/CM/CU36C | 1.01 | 1.01 | 0.95 |
| TMLV080B12MP12C | CF/CM/CU42C | 1.01 | 1.01 | 0.93 |
| TMLV080B12MP12C | CF/CM30C | 1.00 | 1.01 | 0.94 |
| TMLV080B12MP12C | CF42B | 1.01 | 1.01 | 0.95 |
| TMLV080C16MP11C | CF/CM/CU36C | 1.01 | 1.04 | 0.91 |
| TMLV080C16MP11C | CF/CM/CU42C | 1.01 | 1.04 | 0.91 |
| TMLV080C16MP11C | CF/CM30C | 1.01 | 1.04 | 0.93 |
| TMLV080C16MP11C | CF/CM36D | 1.01 | 1.04 | 0.91 |
| TMLV080C16MP11C | CF/CM42D | 1.01 | 1.04 | 0.91 |
| TMLV080C16MP12C | CF/CM/CU36C | 1.01 | 1.04 | 0.91 |
| TMLV080C16MP12C | CF/CM/CU42C | 1.01 | 1.04 | 0.91 |
| TMLV080C16MP12C | CF/CM30C | 1.01 | 1.04 | 0.93 |

FURNACE MULTIPLIERS- 2.5 TON (Continued)

| Furnaces | Coil | T.C. | S.C. | KW |
|-----------------|-------------|------|------|------|
| TMLV080C16MP12C | CF/CM36D | 1.01 | 1.04 | 0.91 |
| TMLV080C16MP12C | CF/CM42D | 1.01 | 1.04 | 0.91 |
| TMLV100C16MP11C | CF/CM/CU36C | 1.01 | 1.04 | 0.91 |
| TMLV100C16MP11C | CF/CM/CU42C | 1.01 | 1.04 | 0.91 |
| TMLV100C16MP11C | CF/CM30C | 1.01 | 1.04 | 0.93 |
| TMLV100C16MP11C | CF/CM36D | 1.01 | 1.04 | 0.91 |
| TMLV100C16MP11C | CF/CM42D | 1.01 | 1.04 | 0.91 |
| TMLV100C16MP12C | CF/CM/CU36C | 1.01 | 1.04 | 0.91 |
| TMLV100C16MP12C | CF/CM/CU42C | 1.01 | 1.04 | 0.91 |
| TMLV100C16MP12C | CF/CM30C | 1.01 | 1.04 | 0.93 |
| TMLV100C16MP12C | CF/CM36D | 1.01 | 1.04 | 0.91 |
| TMLV100C16MP12C | CF/CM42D | 1.01 | 1.04 | 0.91 |
| TMLX060A12MP11 | CF/CM/CU30A | 0.99 | 1.03 | 0.95 |
| TMLX060A12MP11 | CF/CM/CU30B | 1.01 | 1.07 | 0.95 |
| TMLX060A12MP11 | CF/CM/CU36B | 1.01 | 1.06 | 0.95 |
| TMLX060A12MP11 | CF/CM36A | 1.01 | 1.04 | 0.95 |
| TMLX060A12MP11 | CF42B | 1.01 | 1.07 | 0.95 |
| TMLX080B12MP11 | CF/CM/CU30B | 1.00 | 1.01 | 0.92 |
| TMLX080B12MP11 | CF/CM/CU36B | 1.01 | 1.01 | 0.93 |
| TMLX080B12MP11 | CF/CM/CU36C | 1.01 | 1.01 | 0.93 |
| TMLX080B12MP11 | CF/CM/CU42C | 1.01 | 1.02 | 0.91 |
| TMLX080B12MP11 | CF/CM30C | 1.00 | 1.01 | 0.92 |
| TMLX080B12MP11 | CF42B | 1.01 | 1.07 | 0.93 |
| TMLX080C16MP11 | CF/CM/CU36C | 1.01 | 1.07 | 0.91 |
| TMLX080C16MP11 | CF/CM/CU42C | 1.01 | 1.07 | 0.91 |
| TMLX080C16MP11 | CF/CM30C | 1.01 | 1.08 | 0.93 |
| TMLX080C16MP11 | CF/CM36D | 1.01 | 1.07 | 0.91 |
| TMLX080C16MP11 | CF/CM42D | 1.01 | 1.08 | 0.91 |
| TMLX100C16MP11 | CF/CM/CU36C | 1.01 | 1.07 | 0.91 |
| TMLX100C16MP11 | CF/CM/CU42C | 1.01 | 1.07 | 0.91 |
| TMLX100C16MP11 | CF/CM30C | 1.01 | 1.08 | 0.93 |
| TMLX100C16MP11 | CF/CM36D | 1.01 | 1.07 | 0.91 |
| TMLX100C16MP11 | CF/CM42D | 1.01 | 1.08 | 0.91 |
| TMLX100C20MP11 | CF/CM/CU36C | 1.01 | 1.09 | 0.91 |
| TMLX100C20MP11 | CF/CM/CU42C | 1.01 | 1.09 | 0.91 |
| TMLX100C20MP11 | CF/CM30C | 1.01 | 1.10 | 0.91 |
| TMLX100C20MP11 | CF/CM36D | 1.01 | 1.09 | 0.91 |
| TMLX100C20MP11 | CF/CM42D | 1.01 | 1.09 | 0.91 |
| TMLX120C20MP11 | CF/CM/CU36C | 1.01 | 1.09 | 0.91 |
| TMLX120C20MP11 | CF/CM/CU42C | 1.01 | 1.09 | 0.91 |
| TMLX120C20MP11 | CF/CM30C | 1.01 | 1.10 | 0.91 |
| TMLX120C20MP11 | CF/CM36D | 1.01 | 1.09 | 0.91 |
| TMLX120C20MP11 | CF/CM42D | 1.01 | 1.09 | 0.91 |
| TP9C060B12MP13C | CF/CM/CU30B | 1.01 | 1.05 | 0.97 |
| TP9C060B12MP13C | CF/CM/CU36B | 1.01 | 1.04 | 0.95 |
| TP9C060B12MP13C | CF/CM/CU36C | 1.01 | 1.04 | 0.95 |
| TP9C060B12MP13C | CF/CM/CU42C | 1.01 | 1.05 | 0.95 |
| TP9C060B12MP13C | CF/CM30C | 1.01 | 1.04 | 0.95 |
| TP9C060B12MP13C | CF42B | 1.01 | 1.04 | 0.95 |
| TP9C080B12MP12C | CF/CM/CU30B | 1.01 | 1.03 | 0.95 |
| TP9C080B12MP12C | CF/CM/CU36B | 1.01 | 1.03 | 0.93 |
| TP9C080B12MP12C | CF/CM/CU36C | 1.01 | 1.03 | 0.93 |
| TP9C080B12MP12C | CF/CM/CU42C | 1.01 | 1.04 | 0.93 |
| TP9C080B12MP12C | CF/CM30C | 1.01 | 1.03 | 0.93 |
| TP9C080B12MP12C | CF42B | 1.01 | 1.04 | 0.93 |

FURNACE MULTIPLIERS- 2.5 TON (Continued)

| Furnaces | Coil | T.C. | S.C. | KW |
|-----------------|-------------|------|------|------|
| TP9C080B12MP13C | CF/CM/CU30B | 1.01 | 1.03 | 0.95 |
| TP9C080B12MP13C | CF/CM/CU36B | 1.01 | 1.03 | 0.93 |
| TP9C080B12MP13C | CF/CM/CU36C | 1.01 | 1.03 | 0.93 |
| TP9C080B12MP13C | CF/CM/CU42C | 1.01 | 1.04 | 0.93 |
| TP9C080B12MP13C | CF/CM30C | 1.01 | 1.03 | 0.93 |
| TP9C080B12MP13C | CF42B | 1.01 | 1.04 | 0.93 |
| TP9C080C16MP13C | CF/CM/CU36C | 1.01 | 1.07 | 0.93 |
| TP9C080C16MP13C | CF/CM/CU42C | 1.01 | 1.07 | 0.93 |
| TP9C080C16MP13C | CF/CM30C | 1.01 | 1.07 | 0.93 |
| TP9C080C16MP13C | CF/CM36D | 1.01 | 1.07 | 0.93 |
| TP9C080C16MP13C | CF/CM42D | 1.01 | 1.07 | 0.91 |
| TP9C100C16MP12C | CF/CM/CU36C | 1.01 | 1.05 | 0.91 |
| TP9C100C16MP12C | CF/CM/CU42C | 1.01 | 1.06 | 0.91 |
| TP9C100C16MP12C | CF/CM30C | 1.01 | 1.06 | 0.93 |
| TP9C100C16MP12C | CF/CM36D | 1.01 | 1.05 | 0.91 |
| TP9C100C16MP12C | CF/CM42D | 1.01 | 1.06 | 0.91 |
| TP9C100C16MP13C | CF/CM/CU36C | 1.01 | 1.05 | 0.91 |
| TP9C100C16MP13C | CF/CM/CU42C | 1.01 | 1.06 | 0.91 |
| TP9C100C16MP13C | CF/CM30C | 1.01 | 1.06 | 0.93 |
| TP9C100C16MP13C | CF/CM36D | 1.01 | 1.05 | 0.91 |
| TP9C100C16MP13C | CF/CM42D | 1.01 | 1.06 | 0.91 |
| TP9C100C20MP12C | CF/CM/CU36C | 1.01 | 1.14 | 0.93 |
| TP9C100C20MP12C | CF/CM/CU42C | 1.01 | 1.15 | 0.93 |
| TP9C100C20MP12C | CF/CM30C | 1.01 | 1.13 | 0.95 |
| TP9C100C20MP12C | CF/CM36D | 1.01 | 1.14 | 0.93 |
| TP9C100C20MP12C | CF/CM42D | 1.01 | 1.15 | 0.93 |
| TP9C100C20MP13C | CF/CM/CU36C | 1.01 | 1.14 | 0.93 |
| TP9C100C20MP13C | CF/CM/CU42C | 1.01 | 1.15 | 0.93 |
| TP9C100C20MP13C | CF/CM30C | 1.01 | 1.13 | 0.95 |
| TP9C100C20MP13C | CF/CM36D | 1.01 | 1.14 | 0.93 |
| TP9C100C20MP13C | CF/CM42D | 1.01 | 1.15 | 0.93 |
| TP9C120D20MP12C | CF/CM36D | 1.01 | 1.12 | 0.91 |
| TP9C120D20MP12C | CF/CM42D | 1.01 | 1.11 | 0.91 |
| TP9C120D20MP13C | CF/CM36D | 1.01 | 1.12 | 0.91 |
| TP9C120D20MP13C | CF/CM42D | 1.01 | 1.11 | 0.91 |
| TPLC060A12MP12C | CF/CM/CU30A | 1.00 | 1.04 | 0.96 |
| TPLC060A12MP12C | CF/CM/CU30B | 1.01 | 1.04 | 0.95 |
| TPLC060A12MP12C | CF/CM/CU36B | 1.01 | 1.04 | 0.93 |
| TPLC060A12MP12C | CF/CM36A | 1.01 | 1.04 | 0.95 |
| TPLC060A12MP12C | CF42B | 1.01 | 1.04 | 0.93 |
| TPLC060A12MP13C | CF/CM/CU30A | 1.00 | 1.04 | 0.96 |
| TPLC060A12MP13C | CF/CM/CU30B | 1.01 | 1.04 | 0.95 |
| TPLC060A12MP13C | CF/CM/CU36B | 1.01 | 1.04 | 0.93 |
| TPLC060A12MP13C | CF/CM36A | 1.01 | 1.04 | 0.95 |
| TPLC060A12MP13C | CF42B | 1.01 | 1.04 | 0.93 |
| TPLC080B12MP12C | CF/CM/CU30B | 0.99 | 1.00 | 0.93 |
| TPLC080B12MP12C | CF/CM/CU36B | 1.01 | 1.01 | 0.95 |
| TPLC080B12MP12C | CF/CM/CU36C | 1.01 | 1.01 | 0.95 |
| TPLC080B12MP12C | CF/CM/CU42C | 1.01 | 1.01 | 0.93 |
| TPLC080B12MP12C | CF/CM30C | 1.00 | 1.01 | 0.94 |
| TPLC080B12MP12C | CF42B | 1.01 | 1.01 | 0.95 |
| TPLC080B12MP13C | CF/CM/CU30B | 0.99 | 1.00 | 0.93 |
| TPLC080B12MP13C | CF/CM/CU36B | 1.01 | 1.01 | 0.95 |
| TPLC080B12MP13C | CF/CM/CU36C | 1.01 | 1.01 | 0.95 |
| TPLC080B12MP13C | CF/CM/CU42C | 1.01 | 1.01 | 0.93 |
| TPLC080B12MP13C | CF/CM30C | 1.00 | 1.01 | 0.94 |
| TPLC080B12MP13C | CF42B | 1.01 | 1.01 | 0.95 |
| TPLC080B12MP13C | CF/CM/CU30B | 0.99 | 1.00 | 0.93 |
| TPLC080B12MP13C | CF/CM/CU36B | 1.01 | 1.01 | 0.95 |
| TPLC080B12MP13C | CF/CM/CU36C | 1.01 | 1.01 | 0.95 |
| TPLC080B12MP13C | CF/CM/CU42C | 1.01 | 1.01 | 0.93 |

FURNACE MULTIPLIERS- 2.5 TON (Continued)

| Furnaces | Coil | T.C. | S.C. | KW |
|-----------------|-------------|------|------|------|
| TPLC080B12MP13C | CF/CM30C | 1.00 | 1.01 | 0.94 |
| TPLC080B12MP13C | CF42B | 1.01 | 1.01 | 0.95 |
| TPLC080C16MP12C | CF/CM/CU36C | 1.01 | 1.04 | 0.91 |
| TPLC080C16MP12C | CF/CM/CU42C | 1.01 | 1.04 | 0.91 |
| TPLC080C16MP12C | CF/CM30C | 1.01 | 1.04 | 0.93 |
| TPLC080C16MP12C | CF/CM36D | 1.01 | 1.04 | 0.91 |
| TPLC080C16MP12C | CF/CM42D | 1.01 | 1.04 | 0.91 |
| TPLC080C16MP13C | CF/CM/CU36C | 1.01 | 1.04 | 0.91 |
| TPLC080C16MP13C | CF/CM/CU42C | 1.01 | 1.04 | 0.91 |
| TPLC080C16MP13C | CF/CM30C | 1.01 | 1.04 | 0.93 |
| TPLC080C16MP13C | CF/CM36D | 1.01 | 1.04 | 0.91 |
| TPLC080C16MP13C | CF/CM42D | 1.01 | 1.04 | 0.91 |
| TPLC100C16MP12C | CF/CM/CU36C | 1.01 | 1.04 | 0.91 |
| TPLC100C16MP12C | CF/CM/CU42C | 1.01 | 1.04 | 0.91 |
| TPLC100C16MP12C | CF/CM30C | 1.01 | 1.04 | 0.93 |
| TPLC100C16MP12C | CF/CM36D | 1.01 | 1.04 | 0.91 |
| TPLC100C16MP12C | CF/CM42D | 1.01 | 1.04 | 0.91 |
| TPLC100C16MP13C | CF/CM/CU36C | 1.01 | 1.04 | 0.91 |
| TPLC100C16MP13C | CF/CM/CU42C | 1.01 | 1.04 | 0.91 |
| TPLC100C16MP13C | CF/CM30C | 1.01 | 1.04 | 0.93 |
| TPLC100C16MP13C | CF/CM36D | 1.01 | 1.04 | 0.91 |
| TPLC100C16MP13C | CF/CM42D | 1.01 | 1.04 | 0.91 |
| YP9C060B12MP13C | CF/CM/CU30B | 1.01 | 1.05 | 0.97 |
| YP9C060B12MP13C | CF/CM/CU36B | 1.01 | 1.04 | 0.95 |
| YP9C060B12MP13C | CF/CM/CU36C | 1.01 | 1.04 | 0.95 |
| YP9C060B12MP13C | CF/CM/CU42C | 1.01 | 1.05 | 0.95 |
| YP9C060B12MP13C | CF/CM30C | 1.01 | 1.04 | 0.95 |
| YP9C060B12MP13C | CF42B | 1.01 | 1.04 | 0.95 |
| YP9C080B12MP12C | CF/CM/CU30B | 1.01 | 1.03 | 0.95 |
| YP9C080B12MP12C | CF/CM/CU36B | 1.01 | 1.03 | 0.93 |
| YP9C080B12MP12C | CF/CM/CU36C | 1.01 | 1.03 | 0.93 |
| YP9C080B12MP12C | CF/CM/CU42C | 1.01 | 1.04 | 0.93 |
| YP9C080B12MP12C | CF/CM30C | 1.01 | 1.03 | 0.93 |
| YP9C080B12MP12C | CF42B | 1.01 | 1.04 | 0.93 |
| YP9C080B12MP13C | CF/CM/CU30B | 1.01 | 1.03 | 0.95 |
| YP9C080B12MP13C | CF/CM/CU36B | 1.01 | 1.03 | 0.93 |
| YP9C080B12MP13C | CF/CM/CU36C | 1.01 | 1.03 | 0.93 |
| YP9C080B12MP13C | CF/CM/CU42C | 1.01 | 1.04 | 0.93 |
| YP9C080B12MP13C | CF/CM30C | 1.01 | 1.03 | 0.93 |
| YP9C080B12MP13C | CF42B | 1.01 | 1.04 | 0.93 |
| YP9C080C16MP13C | CF/CM/CU36C | 1.01 | 1.07 | 0.93 |
| YP9C080C16MP13C | CF/CM/CU42C | 1.01 | 1.07 | 0.93 |
| YP9C080C16MP13C | CF/CM30C | 1.01 | 1.07 | 0.93 |
| YP9C080C16MP13C | CF/CM36D | 1.01 | 1.07 | 0.93 |
| YP9C080C16MP13C | CF/CM42D | 1.01 | 1.07 | 0.91 |
| YP9C100C16MP12C | CF/CM/CU36C | 1.01 | 1.05 | 0.91 |
| YP9C100C16MP12C | CF/CM/CU42C | 1.01 | 1.06 | 0.91 |
| YP9C100C16MP12C | CF/CM30C | 1.01 | 1.06 | 0.93 |
| YP9C100C16MP12C | CF/CM36D | 1.01 | 1.05 | 0.91 |
| YP9C100C16MP12C | CF/CM42D | 1.01 | 1.06 | 0.91 |
| YP9C100C16MP13C | CF/CM/CU36C | 1.01 | 1.05 | 0.91 |
| YP9C100C16MP13C | CF/CM/CU42C | 1.01 | 1.06 | 0.91 |
| YP9C100C16MP13C | CF/CM30C | 1.01 | 1.06 | 0.93 |
| YP9C100C16MP13C | CF/CM36D | 1.01 | 1.05 | 0.91 |
| YP9C100C16MP13C | CF/CM42D | 1.01 | 1.06 | 0.91 |

FURNACE MULTIPLIERS- 2.5 TON (Continued)

| Furnaces | Coil | T.C. | S.C. | KW |
|-----------------|-------------|------|------|------|
| YP9C100C20MP12C | CF/CM/CU36C | 1.01 | 1.14 | 0.93 |
| YP9C100C20MP12C | CF/CM/CU42C | 1.01 | 1.15 | 0.93 |
| YP9C100C20MP12C | CF/CM30C | 1.01 | 1.13 | 0.95 |
| YP9C100C20MP12C | CF/CM36D | 1.01 | 1.14 | 0.93 |
| YP9C100C20MP12C | CF/CM42D | 1.01 | 1.15 | 0.93 |
| YP9C100C20MP13C | CF/CM/CU36C | 1.01 | 1.14 | 0.93 |
| YP9C100C20MP13C | CF/CM/CU42C | 1.01 | 1.15 | 0.93 |
| YP9C100C20MP13C | CF/CM30C | 1.01 | 1.13 | 0.95 |
| YP9C100C20MP13C | CF/CM36D | 1.01 | 1.14 | 0.93 |
| YP9C100C20MP13C | CF/CM42D | 1.01 | 1.15 | 0.93 |
| YP9C120D20MP12C | CF/CM36D | 1.01 | 1.12 | 0.91 |
| YP9C120D20MP12C | CF/CM42D | 1.01 | 1.11 | 0.91 |
| YP9C120D20MP13C | CF/CM36D | 1.01 | 1.12 | 0.91 |
| YP9C120D20MP13C | CF/CM42D | 1.01 | 1.11 | 0.91 |
| YPLC060A12MP12C | CF/CM/CU30A | 1.00 | 1.04 | 0.96 |
| YPLC060A12MP12C | CF/CM/CU30B | 1.01 | 1.04 | 0.95 |
| YPLC060A12MP12C | CF/CM/CU36B | 1.01 | 1.04 | 0.93 |
| YPLC060A12MP12C | CF/CM36A | 1.01 | 1.04 | 0.95 |
| YPLC060A12MP12C | CF42B | 1.01 | 1.04 | 0.93 |
| YPLC060A12MP13C | CF/CM/CU30A | 1.00 | 1.04 | 0.96 |
| YPLC060A12MP13C | CF/CM/CU30B | 1.01 | 1.04 | 0.95 |
| YPLC060A12MP13C | CF/CM/CU36B | 1.01 | 1.04 | 0.93 |
| YPLC060A12MP13C | CF/CM36A | 1.01 | 1.04 | 0.95 |
| YPLC060A12MP13C | CF42B | 1.01 | 1.04 | 0.93 |
| YPLC080B12MP12C | CF/CM/CU30B | 0.99 | 1.00 | 0.93 |
| YPLC080B12MP12C | CF/CM/CU36B | 1.01 | 1.01 | 0.95 |
| YPLC080B12MP12C | CF/CM/CU36C | 1.01 | 1.01 | 0.95 |
| YPLC080B12MP12C | CF/CM/CU42C | 1.01 | 1.01 | 0.93 |
| YPLC080B12MP12C | CF/CM30C | 1.00 | 1.01 | 0.94 |

FURNACE MULTIPLIERS- 2.5 TON (Continued)

| Furnaces | Coil | T.C. | S.C. | KW |
|-----------------|-------------|------|------|------|
| YPLC080B12MP12C | CF42B | 1.01 | 1.01 | 0.95 |
| YPLC080B12MP13C | CF/CM/CU30B | 0.99 | 1.00 | 0.93 |
| YPLC080B12MP13C | CF/CM/CU36B | 1.01 | 1.01 | 0.95 |
| YPLC080B12MP13C | CF/CM/CU36C | 1.01 | 1.01 | 0.95 |
| YPLC080B12MP13C | CF/CM/CU42C | 1.01 | 1.01 | 0.93 |
| YPLC080B12MP13C | CF/CM30C | 1.00 | 1.01 | 0.94 |
| YPLC080B12MP13C | CF42B | 1.01 | 1.01 | 0.95 |
| YPLC080C16MP12C | CF/CM/CU36C | 1.01 | 1.04 | 0.91 |
| YPLC080C16MP12C | CF/CM/CU42C | 1.01 | 1.04 | 0.91 |
| YPLC080C16MP12C | CF/CM30C | 1.01 | 1.04 | 0.93 |
| YPLC080C16MP12C | CF/CM36D | 1.01 | 1.04 | 0.91 |
| YPLC080C16MP12C | CF/CM42D | 1.01 | 1.04 | 0.91 |
| YPLC080C16MP13C | CF/CM/CU36C | 1.01 | 1.04 | 0.91 |
| YPLC080C16MP13C | CF/CM/CU42C | 1.01 | 1.04 | 0.91 |
| YPLC080C16MP13C | CF/CM30C | 1.01 | 1.04 | 0.93 |
| YPLC080C16MP13C | CF/CM36D | 1.01 | 1.04 | 0.91 |
| YPLC080C16MP13C | CF/CM42D | 1.01 | 1.04 | 0.91 |
| YPLC100C16MP12C | CF/CM/CU36C | 1.01 | 1.04 | 0.91 |
| YPLC100C16MP12C | CF/CM/CU42C | 1.01 | 1.04 | 0.91 |
| YPLC100C16MP12C | CF/CM30C | 1.01 | 1.04 | 0.93 |
| YPLC100C16MP12C | CF/CM36D | 1.01 | 1.04 | 0.91 |
| YPLC100C16MP12C | CF/CM42D | 1.01 | 1.04 | 0.91 |
| YPLC100C16MP13C | CF/CM/CU36C | 1.01 | 1.04 | 0.91 |
| YPLC100C16MP13C | CF/CM/CU42C | 1.01 | 1.04 | 0.91 |
| YPLC100C16MP13C | CF/CM30C | 1.01 | 1.04 | 0.93 |
| YPLC100C16MP13C | CF/CM36D | 1.01 | 1.04 | 0.91 |
| YPLC100C16MP13C | CF/CM42D | 1.01 | 1.04 | 0.91 |

PERFORMANCE DATA - 3 TON

| CONDENSER-ONLY DATA (OUTDOOR UNIT) | | | | | | | | | | | | | | | | | | |
|------------------------------------|-----------------------------------|----------|-----------------------------|------|-------|------|-------|------|-------|------|-------|------|--------|------|--------|------|--------|------|
| MODEL | SATURATED SUCTION @ COMPRESSOR | | Outdoor Ambient Temperature | | | | | | | | | | | | | | | |
| | | | 55 °F | | 65 °F | | 75 °F | | 85 °F | | 95 °F | | 105 °F | | 115 °F | | 125 °F | |
| | T (°F) | P (PSIG) | MBH | KW | MBH | KW | MBH | KW | MBH | KW | MBH | KW | MBH | KW | MBH | KW | MBH | KW |
| TC4B3622S | 35 | 107 | 32.6 | 1.91 | 30.6 | 2.19 | 28.7 | 2.46 | 27.0 | 2.72 | 25.3 | 3.00 | 23.5 | 3.34 | 21.7 | 3.74 | 19.7 | 4.23 |
| | 40 | 118 | 36.4 | 1.89 | 34.0 | 2.18 | 31.9 | 2.45 | 30.0 | 2.71 | 28.1 | 2.99 | 26.1 | 3.32 | 24.1 | 3.72 | 21.9 | 4.19 |
| | 45 | 130 | 40.5 | 1.89 | 37.9 | 2.18 | 35.6 | 2.45 | 33.4 | 2.71 | 31.2 | 2.98 | 29.1 | 3.31 | 26.8 | 3.70 | 24.4 | 4.16 |
| | 50 | 142 | 45.3 | 1.89 | 42.4 | 2.19 | 39.7 | 2.46 | 37.2 | 2.72 | 34.8 | 2.99 | 32.3 | 3.31 | 29.8 | 3.69 | 27.2 | 4.14 |
| | 55 | 156 | 50.5 | 1.92 | 47.3 | 2.21 | 44.3 | 2.48 | 41.5 | 2.73 | 38.7 | 3.00 | 36.0 | 3.31 | 33.2 | 3.69 | 30.3 | 4.12 |

Notes:

- For Outdoor Unit (Condenser) performance only. Data does not include the effects of air handler power or heat.
- Performance based on 15°F subcooling and 15°F superheat at the Outdoor Unit base valves.
 - Increase capacity by 1% for each 2°F increase in subcooling.
 - Decrease capacity by 1% for each 2°F decrease in subcooling.
- Maximum recommended condensing temperature is 140°F.

| COOLING PERFORMANCE DATA | | | | | | | | | | | | | | | | |
|--|------------|-----------|------|------|------|------|------|------|------|------|------|------|------|------|------|------|
| OUTDOOR UNIT MODEL NO. | | TC4B3622S | | | | | | | | | | | | | | |
| INDOOR COIL MODEL NO. | | CF36BXA1 | | | | | | | | | | | | | | |
| AIR TEMP. ENTERING OUTDOOR UNIT (°F) | ID CFM | 1000 | | | | | 1200 | | | | | 1400 | | | | |
| | ID DB (°F) | 80 | 80 | 75 | 80 | 80 | 80 | 80 | 75 | 80 | 80 | 80 | 80 | 75 | 80 | 80 |
| | ID WB (°F) | 57 | 62 | 62 | 67 | 72 | 57 | 62 | 62 | 67 | 72 | 57 | 62 | 62 | 67 | 72 |
| 55 | T.C. | 35.0 | 36.6 | 34.7 | 38.2 | 38.2 | 37.4 | 37.9 | 35.8 | 39.1 | 38.5 | 39.8 | 39.3 | 36.9 | 40.1 | 38.8 |
| | S.C. | 32.0 | 29.2 | 24.4 | 24.3 | 18.2 | 33.4 | 31.6 | 26.3 | 25.8 | 19.1 | 34.8 | 34.0 | 28.1 | 27.3 | 20.0 |
| | KW | 1.88 | 1.88 | 1.87 | 1.86 | 1.85 | 1.94 | 1.94 | 1.94 | 1.93 | 1.92 | 1.99 | 1.99 | 2.01 | 1.99 | 1.98 |
| 65 | T.C. | 34.4 | 34.8 | 32.9 | 36.4 | 36.1 | 36.7 | 36.2 | 34.0 | 37.3 | 37.0 | 38.9 | 37.5 | 35.1 | 38.3 | 37.9 |
| | S.C. | 30.8 | 28.5 | 23.7 | 23.6 | 17.5 | 32.2 | 30.8 | 25.6 | 25.2 | 18.6 | 33.7 | 33.1 | 27.4 | 26.8 | 19.7 |
| | KW | 2.09 | 2.09 | 2.09 | 2.08 | 2.06 | 2.16 | 2.15 | 2.16 | 2.15 | 2.13 | 2.22 | 2.21 | 2.23 | 2.21 | 2.20 |
| 75 | T.C. | 33.7 | 33.1 | 31.1 | 34.6 | 33.9 | 35.9 | 34.5 | 32.3 | 35.5 | 35.4 | 38.0 | 35.8 | 33.4 | 36.4 | 36.9 |
| | S.C. | 29.6 | 27.7 | 23.0 | 22.8 | 16.9 | 31.1 | 30.0 | 24.9 | 24.5 | 18.2 | 32.6 | 32.2 | 26.8 | 26.2 | 19.5 |
| | KW | 2.31 | 2.31 | 2.31 | 2.30 | 2.28 | 2.38 | 2.37 | 2.38 | 2.36 | 2.35 | 2.44 | 2.44 | 2.45 | 2.43 | 2.42 |
| 85 | T.C. | 32.7 | 32.2 | 30.3 | 34.5 | 34.0 | 34.9 | 33.5 | 31.3 | 35.2 | 34.8 | 37.1 | 34.7 | 32.3 | 36.0 | 35.6 |
| | S.C. | 28.7 | 27.3 | 22.6 | 22.7 | 16.8 | 30.1 | 29.5 | 24.4 | 24.5 | 17.8 | 31.4 | 31.8 | 26.2 | 26.2 | 18.9 |
| | KW | 2.57 | 2.57 | 2.57 | 2.57 | 2.57 | 2.64 | 2.64 | 2.64 | 2.64 | 2.64 | 2.70 | 2.70 | 2.71 | 2.71 | 2.71 |
| 95 | T.C. | 31.7 | 31.3 | 29.5 | 34.4 | 34.1 | 34.0 | 32.5 | 30.3 | 35.0 | 34.1 | 36.2 | 33.6 | 31.2 | 35.6 | 34.2 |
| | S.C. | 27.8 | 26.9 | 22.1 | 22.7 | 16.8 | 29.0 | 29.1 | 23.8 | 24.4 | 17.5 | 30.2 | 31.3 | 25.5 | 26.1 | 18.2 |
| | KW | 2.83 | 2.84 | 2.84 | 2.84 | 2.85 | 2.90 | 2.90 | 2.91 | 2.92 | 2.92 | 2.96 | 2.97 | 2.98 | 2.99 | 2.99 |
| 105 | T.C. | 30.3 | 29.4 | 27.4 | 31.7 | 31.7 | 32.4 | 30.4 | 28.1 | 32.3 | 31.9 | 34.5 | 31.5 | 28.9 | 32.8 | 32.1 |
| | S.C. | 26.3 | 25.7 | 21.3 | 21.7 | 16.0 | 27.5 | 27.5 | 23.0 | 23.4 | 16.9 | 28.6 | 29.3 | 24.7 | 25.1 | 17.7 |
| | KW | 3.22 | 3.22 | 3.24 | 3.24 | 3.24 | 3.28 | 3.28 | 3.30 | 3.31 | 3.32 | 3.34 | 3.34 | 3.37 | 3.37 | 3.39 |
| 115 | T.C. | 28.9 | 27.6 | 25.4 | 29.2 | 29.4 | 30.8 | 28.5 | 26.0 | 29.6 | 29.7 | 32.8 | 29.4 | 26.7 | 30.0 | 30.1 |
| | S.C. | 24.9 | 24.6 | 20.5 | 20.6 | 15.3 | 26.0 | 26.0 | 22.2 | 22.3 | 16.3 | 27.0 | 27.3 | 23.8 | 24.1 | 17.2 |
| | KW | 3.60 | 3.59 | 3.62 | 3.62 | 3.63 | 3.65 | 3.65 | 3.69 | 3.68 | 3.70 | 3.71 | 3.71 | 3.75 | 3.75 | 3.77 |
| 125 | T.C. | 27.5 | 25.7 | 23.3 | 26.6 | 27.1 | 29.3 | 26.5 | 23.9 | 26.9 | 27.5 | 31.1 | 27.3 | 24.5 | 27.3 | 28.0 |
| | S.C. | 23.5 | 23.5 | 19.7 | 19.6 | 14.5 | 24.5 | 24.5 | 21.3 | 21.3 | 15.6 | 25.4 | 25.4 | 23.0 | 23.0 | 16.8 |
| | KW | 3.98 | 3.96 | 4.01 | 4.00 | 4.01 | 4.03 | 4.02 | 4.07 | 4.06 | 4.08 | 4.07 | 4.07 | 4.13 | 4.12 | 4.16 |

ALL CAPACITIES INCLUDE INDOOR FAN HEAT. KW VALUES ARE FOR THE SYSTEM (OUTDOOR + INDOOR).

Green shaded cells are ACCA (TVA) conditions.

Blue shaded cells are AHRI conditions.

Multipliers for determining the performance with other indoor sections.

NOTE: For dry bulb temperatures different than those listed (between 73-87 °F), sensible capacity increases by 1060 BTUH per 1000 CFM per degree above the listed temperature and decreases by 1060 BTUH per 1000 CFM per degree below the listed temperature.

COIL MULTIPLIERS- 3 TON

| Air Handler | Coil | T.C. | S.C. | KW |
|-------------|-------------|------|------|------|
| - | CF/CM/CU36B | 1.00 | 1.00 | 1.00 |
| - | CF/CM/CU36C | 1.00 | 1.14 | 1.00 |
| - | CF/CM/CU42C | 1.01 | 1.13 | 1.01 |
| - | CF/CM/CU48C | 1.01 | 1.13 | 1.01 |
| - | CF/CM/CU48D | 1.01 | 1.13 | 1.01 |
| - | CF/CM36D | 1.00 | 1.14 | 1.00 |
| - | CF/CM42D | 1.01 | 1.13 | 1.01 |
| AE36BX21 | - | 0.99 | 1.06 | 0.95 |
| AE36CX21 | - | 1.00 | 1.05 | 0.94 |
| AE42CX21 | - | 1.03 | 1.09 | 0.97 |
| AE48CX21 | - | 1.02 | 1.06 | 0.94 |
| AE48DX21 | - | 1.02 | 1.06 | 0.94 |
| AP36BX21 | - | 1.01 | 1.11 | 1.01 |
| AP36CX21 | - | 1.01 | 1.09 | 1.01 |
| AP37CX21 | - | 1.01 | 1.09 | 1.01 |
| AP48CX21 | - | 1.03 | 1.15 | 1.03 |
| AVC36BX21 | - | 0.99 | 1.07 | 0.95 |
| AVC36CX21 | - | 1.01 | 1.06 | 0.95 |
| AVC42CX21 | - | 1.02 | 1.06 | 0.94 |
| AVC48CX21 | - | 1.02 | 1.05 | 0.94 |
| AVC48DX21 | - | 1.02 | 1.06 | 0.94 |
| ME12BN21 | CF/CM36B | 1.01 | 1.07 | 0.95 |
| ME12BN21 | CF42B | 1.02 | 1.05 | 0.96 |
| ME12CN21 | CF/CM36C | 1.00 | 1.06 | 0.94 |
| ME12CN21 | CF/CM42C | 1.01 | 1.04 | 0.93 |
| ME12CN21 | CF/CM48C | 1.01 | 1.05 | 0.93 |
| ME14DN21 | CF/CM36D | 1.01 | 1.05 | 0.93 |
| ME14DN21 | CF/CM42D | 1.02 | 1.05 | 0.94 |
| ME14DN21 | CF/CM48D | 1.02 | 1.05 | 0.94 |
| ME16CN21 | CF/CM36C | 1.01 | 1.09 | 0.95 |
| ME16CN21 | CF/CM42C | 1.02 | 1.07 | 0.94 |
| ME16CN21 | CF/CM48C | 1.03 | 1.06 | 0.95 |
| ME20DN21 | CF/CM36D | 1.03 | 1.14 | 0.95 |
| ME20DN21 | CF/CM42D | 1.03 | 1.12 | 0.95 |
| ME20DN21 | CF/CM48D | 1.03 | 1.14 | 0.95 |
| MVC08BN21 | CF/CM36B | 0.99 | 1.07 | 0.95 |
| MVC08BN21 | CF42B | 1.01 | 1.05 | 0.97 |
| MVC12BN21 | CF/CM36B | 0.99 | 1.06 | 0.94 |
| MVC12BN21 | CF42B | 0.99 | 1.06 | 0.94 |
| MVC12CN21 | CF/CM36C | 1.00 | 1.06 | 0.92 |
| MVC12CN21 | CF/CM42C | 1.02 | 1.05 | 0.94 |
| MVC12CN21 | CF/CM48C | 1.02 | 1.06 | 0.94 |
| MVC14DN21 | CF/CM36D | 1.02 | 1.09 | 0.94 |
| MVC14DN21 | CF/CM42D | 1.03 | 1.11 | 0.95 |
| MVC14DN21 | CF/CM48D | 1.03 | 1.06 | 0.95 |
| MVC16CN21 | CF/CM36C | 1.02 | 1.10 | 0.94 |
| MVC16CN21 | CF/CM42C | 1.03 | 1.09 | 0.95 |
| MVC16CN21 | CF/CM48C | 1.03 | 1.08 | 0.95 |
| MVC20DN21 | CF/CM36D | 1.03 | 1.10 | 0.95 |
| MVC20DN21 | CF/CM42D | 1.03 | 1.12 | 0.95 |
| MVC20DN21 | CF/CM48D | 1.03 | 1.10 | 0.95 |

FURNACE MULTIPLIERS- 3 TON

| Furnaces | Coil | T.C. | S.C. | KW |
|----------------|-------------|------|------|------|
| TL8E060A12UH11 | CF/CM/CU36B | 1.00 | 1.07 | 1.00 |
| TL8E060A12UH11 | CF42B | 1.01 | 1.07 | 0.99 |
| TL8E080C16UH11 | CF/CM/CU36C | 1.01 | 1.13 | 0.97 |
| TL8E080C16UH11 | CF/CM/CU42C | 1.02 | 1.13 | 0.98 |
| TL8E080C16UH11 | CF/CM/CU48C | 1.02 | 1.14 | 0.98 |
| TL8E080C16UH11 | CF/CM/CU48D | 1.02 | 1.14 | 0.98 |
| TL8E080C16UH11 | CF/CM36D | 1.01 | 1.13 | 0.97 |
| TL8E080C16UH11 | CF/CM42D | 1.02 | 1.13 | 0.98 |
| TL8E100C20UH11 | CF/CM/CU36C | 1.01 | 1.09 | 0.97 |
| TL8E100C20UH11 | CF/CM/CU42C | 1.02 | 1.08 | 0.96 |
| TL8E100C20UH11 | CF/CM/CU48C | 1.02 | 1.10 | 0.96 |
| TL8E100C20UH11 | CF/CM/CU48D | 1.02 | 1.10 | 0.96 |
| TL8E100C20UH11 | CF/CM36D | 1.01 | 1.09 | 0.97 |
| TL8E100C20UH11 | CF/CM42D | 1.02 | 1.08 | 0.98 |
| TL9E060B12UH11 | CF/CM/CU36B | 0.99 | 1.06 | 0.99 |
| TL9E060B12UH11 | CF/CM/CU36C | 1.00 | 1.08 | 1.00 |
| TL9E060B12UH11 | CF/CM/CU42C | 1.01 | 1.07 | 1.01 |
| TL9E060B12UH11 | CF/CM/CU48C | 1.01 | 1.09 | 1.01 |
| TL9E060B12UH11 | CF42B | 1.00 | 1.07 | 1.00 |
| TL9E080C16UH11 | CF/CM/CU36C | 1.01 | 1.11 | 0.97 |
| TL9E080C16UH11 | CF/CM/CU42C | 1.02 | 1.10 | 0.98 |
| TL9E080C16UH11 | CF/CM/CU48C | 1.02 | 1.11 | 0.98 |
| TL9E080C16UH11 | CF/CM/CU48D | 1.02 | 1.11 | 0.98 |
| TL9E080C16UH11 | CF/CM36D | 1.01 | 1.11 | 0.97 |
| TL9E080C16UH11 | CF/CM42D | 1.02 | 1.11 | 0.98 |
| TL9E100C20UH11 | CF/CM/CU36C | 1.01 | 1.13 | 0.97 |
| TL9E100C20UH11 | CF/CM/CU42C | 1.02 | 1.13 | 0.98 |
| TL9E100C20UH11 | CF/CM/CU48C | 1.03 | 1.15 | 0.97 |
| TL9E100C20UH11 | CF/CM/CU48D | 1.03 | 1.16 | 0.99 |
| TL9E100C20UH11 | CF/CM36D | 1.02 | 1.15 | 0.98 |
| TL9E100C20UH11 | CF/CM42D | 1.03 | 1.15 | 0.99 |
| TM8E040A12MP11 | CF/CM/CU36B | 1.00 | 1.07 | 0.98 |
| TM8E040A12MP11 | CF42B | 1.00 | 1.06 | 0.98 |
| TM8E060A12MP11 | CF/CM/CU36B | 1.00 | 1.07 | 0.98 |
| TM8E060A12MP11 | CF42B | 1.00 | 1.06 | 0.98 |
| TM8E080B12MP11 | CF/CM/CU36B | 1.00 | 1.07 | 0.98 |
| TM8E080B12MP11 | CF/CM/CU36C | 1.00 | 1.07 | 0.98 |
| TM8E080B12MP11 | CF/CM/CU42C | 1.01 | 1.08 | 0.99 |
| TM8E080B12MP11 | CF/CM/CU48C | 1.01 | 1.09 | 0.97 |
| TM8E080B12MP11 | CF42B | 1.01 | 1.07 | 0.97 |
| TM8E080C16MP11 | CF/CM/CU36C | 1.01 | 1.11 | 0.97 |
| TM8E080C16MP11 | CF/CM/CU42C | 1.02 | 1.11 | 0.98 |
| TM8E080C16MP11 | CF/CM/CU48C | 1.02 | 1.12 | 0.98 |
| TM8E080C16MP11 | CF/CM/CU48D | 1.02 | 1.12 | 0.98 |
| TM8E080C16MP11 | CF/CM36D | 1.01 | 1.13 | 0.97 |
| TM8E080C16MP11 | CF/CM42D | 1.02 | 1.13 | 0.98 |
| TM8E080C20MP11 | CF/CM/CU36C | 1.02 | 1.18 | 0.98 |
| TM8E080C20MP11 | CF/CM/CU42C | 1.03 | 1.18 | 0.99 |
| TM8E080C20MP11 | CF/CM/CU48C | 1.03 | 1.20 | 0.99 |
| TM8E080C20MP11 | CF/CM/CU48D | 1.03 | 1.20 | 0.99 |
| TM8E080C20MP11 | CF/CM36D | 1.02 | 1.20 | 0.98 |
| TM8E080C20MP11 | CF/CM42D | 1.03 | 1.19 | 0.99 |
| TM8E100B12MP11 | CF/CM/CU36B | 1.01 | 1.11 | 0.99 |
| TM8E100B12MP11 | CF/CM/CU36C | 1.01 | 1.11 | 0.99 |
| TM8E100B12MP11 | CF/CM/CU42C | 1.01 | 1.11 | 0.99 |

FURNACE MULTIPLIERS- 3 TON (Continued)

| Furnaces | Coil | T.C. | S.C. | KW |
|-----------------|-------------|------|------|------|
| TM8E100B12MP11 | CF/CM/CU48C | 1.02 | 1.11 | 0.98 |
| TM8E100B12MP11 | CF42B | 1.01 | 1.07 | 0.99 |
| TM8E100C16MP11 | CF/CM/CU36C | 1.01 | 1.13 | 0.97 |
| TM8E100C16MP11 | CF/CM/CU42C | 1.02 | 1.13 | 0.98 |
| TM8E100C16MP11 | CF/CM/CU48C | 1.02 | 1.14 | 0.98 |
| TM8E100C16MP11 | CF/CM/CU48D | 1.03 | 1.15 | 0.99 |
| TM8E100C16MP11 | CF/CM36D | 1.01 | 1.13 | 0.97 |
| TM8E100C16MP11 | CF/CM42D | 1.02 | 1.13 | 0.98 |
| TM8E100C20MP11 | CF/CM/CU36C | 1.02 | 1.18 | 0.98 |
| TM8E100C20MP11 | CF/CM/CU42C | 1.03 | 1.18 | 0.99 |
| TM8E100C20MP11 | CF/CM/CU48C | 1.03 | 1.20 | 0.99 |
| TM8E100C20MP11 | CF/CM/CU48D | 1.03 | 1.20 | 0.99 |
| TM8E100C20MP11 | CF/CM36D | 1.02 | 1.20 | 0.98 |
| TM8E100C20MP11 | CF/CM42D | 1.03 | 1.19 | 0.99 |
| TM8E120C16MP11 | CF/CM/CU36C | 1.01 | 1.13 | 0.97 |
| TM8E120C16MP11 | CF/CM/CU42C | 1.02 | 1.13 | 0.98 |
| TM8E120C16MP11 | CF/CM/CU48C | 1.03 | 1.15 | 0.99 |
| TM8E120C16MP11 | CF/CM/CU48D | 1.03 | 1.15 | 0.99 |
| TM8E120C16MP11 | CF/CM36D | 1.01 | 1.13 | 0.97 |
| TM8E120C16MP11 | CF/CM42D | 1.02 | 1.13 | 0.98 |
| TM8E120C20MP11 | CF/CM/CU36C | 1.02 | 1.20 | 0.98 |
| TM8E120C20MP11 | CF/CM/CU42C | 1.03 | 1.19 | 0.99 |
| TM8E120C20MP11 | CF/CM/CU48C | 1.03 | 1.21 | 0.99 |
| TM8E120C20MP11 | CF/CM/CU48D | 1.03 | 1.21 | 0.99 |
| TM8E120C20MP11 | CF/CM36D | 1.00 | 1.12 | 1.00 |
| TM8E120C20MP11 | CF/CM42D | 1.03 | 1.20 | 0.99 |
| TM8E130D20MP11 | CF/CM/CU48D | 1.03 | 1.21 | 0.99 |
| TM8E130D20MP11 | CF/CM36D | 1.00 | 1.12 | 0.98 |
| TM8E130D20MP11 | CF/CM42D | 1.03 | 1.20 | 0.99 |
| TM8V060A12MP11C | CF/CM/CU36B | 0.99 | 1.04 | 0.97 |
| TM8V060A12MP11C | CF/CM36A | 0.98 | 1.03 | 0.98 |
| TM8V060A12MP11C | CF42B | 0.99 | 1.03 | 0.97 |
| TM8V060A12MP12C | CF/CM/CU36B | 0.99 | 1.04 | 0.97 |
| TM8V060A12MP12C | CF/CM36A | 0.98 | 1.03 | 0.98 |
| TM8V060A12MP12C | CF42B | 0.99 | 1.03 | 0.97 |
| TM8V080B12MP11C | CF/CM/CU36B | 0.99 | 1.05 | 0.99 |
| TM8V080B12MP11C | CF/CM/CU36C | 0.99 | 1.05 | 0.97 |
| TM8V080B12MP11C | CF/CM/CU42C | 1.00 | 1.06 | 0.98 |
| TM8V080B12MP11C | CF/CM/CU48C | 1.00 | 1.06 | 0.98 |
| TM8V080B12MP11C | CF42B | 0.99 | 1.05 | 0.99 |
| TM8V080B12MP12C | CF/CM/CU36B | 0.99 | 1.05 | 0.99 |
| TM8V080B12MP12C | CF/CM/CU36C | 0.99 | 1.05 | 0.97 |
| TM8V080B12MP12C | CF/CM/CU42C | 1.00 | 1.06 | 0.98 |
| TM8V080B12MP12C | CF/CM/CU48C | 1.00 | 1.06 | 0.98 |
| TM8V080B12MP12C | CF42B | 0.99 | 1.05 | 0.99 |
| TM8V080C16MP11C | CF/CM/CU36C | 1.01 | 1.09 | 0.97 |
| TM8V080C16MP11C | CF/CM/CU42C | 1.01 | 1.08 | 0.95 |
| TM8V080C16MP11C | CF/CM/CU48C | 1.01 | 1.09 | 0.95 |
| TM8V080C16MP11C | CF/CM/CU48D | 1.01 | 1.09 | 0.95 |
| TM8V080C16MP11C | CF/CM36D | 1.01 | 1.09 | 0.95 |
| TM8V080C16MP11C | CF/CM42D | 1.02 | 1.09 | 0.96 |
| TM8V080C16MP12C | CF/CM/CU36C | 1.01 | 1.09 | 0.97 |
| TM8V080C16MP12C | CF/CM/CU42C | 1.01 | 1.08 | 0.95 |
| TM8V080C16MP12C | CF/CM/CU48C | 1.01 | 1.09 | 0.95 |
| TM8V080C16MP12C | CF/CM/CU48D | 1.01 | 1.09 | 0.95 |

FURNACE MULTIPLIERS- 3 TON (Continued)

| Furnaces | Coil | T.C. | S.C. | KW |
|-----------------|-------------|------|------|------|
| TM8V080C16MP12C | CF/CM36D | 1.01 | 1.09 | 0.95 |
| TM8V080C16MP12C | CF/CM42D | 1.02 | 1.09 | 0.96 |
| TM8V100C16MP11C | CF/CM/CU36C | 1.01 | 1.09 | 0.97 |
| TM8V100C16MP11C | CF/CM/CU42C | 1.01 | 1.08 | 0.95 |
| TM8V100C16MP11C | CF/CM/CU48C | 1.01 | 1.09 | 0.95 |
| TM8V100C16MP11C | CF/CM/CU48D | 1.01 | 1.09 | 0.95 |
| TM8V100C16MP11C | CF/CM36D | 1.01 | 1.09 | 0.95 |
| TM8V100C16MP11C | CF/CM42D | 1.02 | 1.09 | 0.96 |
| TM8V100C16MP12C | CF/CM/CU36C | 1.01 | 1.09 | 0.97 |
| TM8V100C16MP12C | CF/CM/CU42C | 1.01 | 1.08 | 0.95 |
| TM8V100C16MP12C | CF/CM/CU48C | 1.01 | 1.09 | 0.95 |
| TM8V100C16MP12C | CF/CM/CU48D | 1.01 | 1.09 | 0.95 |
| TM8V100C16MP12C | CF/CM36D | 1.01 | 1.09 | 0.95 |
| TM8V100C16MP12C | CF/CM42D | 1.02 | 1.09 | 0.96 |
| TM8V100C20MP11C | CF/CM/CU36C | 1.02 | 1.15 | 0.96 |
| TM8V100C20MP11C | CF/CM/CU42C | 1.03 | 1.15 | 0.97 |
| TM8V100C20MP11C | CF/CM/CU48C | 1.03 | 1.16 | 0.97 |
| TM8V100C20MP11C | CF/CM/CU48D | 1.03 | 1.16 | 0.95 |
| TM8V100C20MP11C | CF/CM36D | 1.02 | 1.15 | 0.96 |
| TM8V100C20MP11C | CF/CM42D | 1.03 | 1.15 | 0.95 |
| TM8V100C20MP12C | CF/CM/CU36C | 1.02 | 1.15 | 0.96 |
| TM8V100C20MP12C | CF/CM/CU42C | 1.03 | 1.15 | 0.97 |
| TM8V100C20MP12C | CF/CM/CU48C | 1.03 | 1.16 | 0.97 |
| TM8V100C20MP12C | CF/CM/CU48D | 1.03 | 1.16 | 0.95 |
| TM8V100C20MP12C | CF/CM36D | 1.02 | 1.15 | 0.96 |
| TM8V100C20MP12C | CF/CM42D | 1.03 | 1.15 | 0.95 |
| TM8V120C20MP11C | CF/CM/CU36C | 1.02 | 1.15 | 0.96 |
| TM8V120C20MP11C | CF/CM/CU42C | 1.03 | 1.15 | 0.97 |
| TM8V120C20MP11C | CF/CM/CU48C | 1.03 | 1.16 | 0.97 |
| TM8V120C20MP11C | CF/CM/CU48D | 1.03 | 1.16 | 0.95 |
| TM8V120C20MP11C | CF/CM36D | 1.02 | 1.15 | 0.96 |
| TM8V120C20MP11C | CF/CM42D | 1.03 | 1.15 | 0.95 |
| TM8V120C20MP12C | CF/CM/CU36C | 1.02 | 1.15 | 0.96 |
| TM8V120C20MP12C | CF/CM/CU42C | 1.03 | 1.15 | 0.97 |
| TM8V120C20MP12C | CF/CM/CU48C | 1.03 | 1.16 | 0.97 |
| TM8V120C20MP12C | CF/CM/CU48D | 1.03 | 1.16 | 0.95 |
| TM8V120C20MP12C | CF/CM36D | 1.02 | 1.15 | 0.96 |
| TM8V120C20MP12C | CF/CM42D | 1.03 | 1.15 | 0.95 |
| TM8X060A12MP11 | CF/CM/CU36B | 1.00 | 1.11 | 1.00 |
| TM8X060A12MP11 | CF/CM36A | 0.99 | 1.09 | 0.99 |
| TM8X060A12MP11 | CF42B | 1.01 | 1.11 | 0.99 |
| TM8X080B12MP11 | CF/CM/CU36B | 0.99 | 1.04 | 0.95 |
| TM8X080B12MP11 | CF/CM/CU36C | 0.99 | 1.06 | 0.95 |
| TM8X080B12MP11 | CF/CM/CU42C | 1.01 | 1.06 | 0.97 |
| TM8X080B12MP11 | CF/CM/CU48C | 1.01 | 1.07 | 0.95 |
| TM8X080B12MP11 | CF42B | 1.02 | 1.13 | 1.00 |
| TM8X080C16MP11 | CF/CM/CU36C | 1.02 | 1.14 | 0.98 |
| TM8X080C16MP11 | CF/CM/CU42C | 1.02 | 1.14 | 0.96 |
| TM8X080C16MP11 | CF/CM/CU48C | 1.03 | 1.15 | 0.97 |
| TM8X080C16MP11 | CF/CM/CU48D | 1.01 | 1.05 | 0.95 |
| TM8X080C16MP11 | CF/CM36D | 0.99 | 1.05 | 0.94 |
| TM8X080C16MP11 | CF/CM42D | 0.99 | 1.05 | 0.94 |
| TM8X100C16MP11 | CF/CM/CU36C | 1.02 | 1.14 | 0.98 |
| TM8X100C16MP11 | CF/CM/CU42C | 1.02 | 1.14 | 0.96 |
| TM8X100C16MP11 | CF/CM/CU48C | 1.03 | 1.15 | 0.97 |

FURNACE MULTIPLIERS- 3 TON (Continued)

| Furnaces | Coil | T.C. | S.C. | KW |
|----------------|-------------|------|------|------|
| TM8X100C16MP11 | CF/CM/CU48D | 1.01 | 1.05 | 0.95 |
| TM8X100C16MP11 | CF/CM36D | 0.99 | 1.05 | 0.94 |
| TM8X100C16MP11 | CF/CM42D | 0.99 | 1.05 | 0.94 |
| TM8X100C20MP11 | CF/CM/CU36C | 1.00 | 1.07 | 0.94 |
| TM8X100C20MP11 | CF/CM/CU42C | 1.01 | 1.07 | 0.93 |
| TM8X100C20MP11 | CF/CM/CU48C | 1.01 | 1.07 | 0.93 |
| TM8X100C20MP11 | CF/CM/CU48D | 1.01 | 1.07 | 0.93 |
| TM8X100C20MP11 | CF/CM36D | 1.00 | 1.07 | 0.94 |
| TM8X100C20MP11 | CF/CM42D | 1.01 | 1.07 | 0.93 |
| TM8X120C20MP11 | CF/CM/CU36C | 1.00 | 1.07 | 0.94 |
| TM8X120C20MP11 | CF/CM/CU42C | 1.01 | 1.07 | 0.93 |
| TM8X120C20MP11 | CF/CM/CU48C | 1.01 | 1.07 | 0.93 |
| TM8X120C20MP11 | CF/CM/CU48D | 1.01 | 1.07 | 0.93 |
| TM8X120C20MP11 | CF/CM36D | 1.00 | 1.07 | 0.94 |
| TM8X120C20MP11 | CF/CM42D | 1.01 | 1.07 | 0.93 |
| TM8Y060A12MP11 | CF/CM/CU36B | 1.00 | 1.11 | 1.00 |
| TM8Y060A12MP11 | CF/CM36A | 0.99 | 1.09 | 0.99 |
| TM8Y060A12MP11 | CF42B | 1.01 | 1.11 | 0.99 |
| TM8Y080B12MP11 | CF/CM/CU36B | 0.99 | 1.04 | 0.95 |
| TM8Y080B12MP11 | CF/CM/CU36C | 0.99 | 1.06 | 0.95 |
| TM8Y080B12MP11 | CF/CM/CU42C | 1.01 | 1.06 | 0.97 |
| TM8Y080B12MP11 | CF/CM/CU48C | 1.01 | 1.07 | 0.95 |
| TM8Y080B12MP11 | CF42B | 1.02 | 1.13 | 1.00 |
| TM8Y080C16MP11 | CF/CM/CU36C | 1.02 | 1.14 | 0.98 |
| TM8Y080C16MP11 | CF/CM/CU42C | 1.02 | 1.14 | 0.96 |
| TM8Y080C16MP11 | CF/CM/CU48C | 1.03 | 1.15 | 0.97 |
| TM8Y080C16MP11 | CF/CM/CU48D | 1.01 | 1.05 | 0.95 |
| TM8Y080C16MP11 | CF/CM36D | 0.99 | 1.05 | 0.94 |
| TM8Y080C16MP11 | CF/CM42D | 0.99 | 1.05 | 0.94 |
| TM8Y100C16MP11 | CF/CM/CU36C | 1.02 | 1.14 | 0.98 |
| TM8Y100C16MP11 | CF/CM/CU42C | 1.02 | 1.14 | 0.96 |
| TM8Y100C16MP11 | CF/CM/CU48C | 1.03 | 1.15 | 0.97 |
| TM8Y100C16MP11 | CF/CM/CU48D | 1.01 | 1.05 | 0.95 |
| TM8Y100C16MP11 | CF/CM36D | 0.99 | 1.05 | 0.94 |
| TM8Y100C16MP11 | CF/CM42D | 0.99 | 1.05 | 0.94 |
| TM8Y100C20MP11 | CF/CM/CU36C | 1.00 | 1.07 | 0.94 |
| TM8Y100C20MP11 | CF/CM/CU42C | 1.01 | 1.07 | 0.93 |
| TM8Y100C20MP11 | CF/CM/CU48C | 1.01 | 1.07 | 0.93 |
| TM8Y100C20MP11 | CF/CM/CU48D | 1.01 | 1.07 | 0.93 |
| TM8Y100C20MP11 | CF/CM36D | 1.00 | 1.07 | 0.94 |
| TM8Y100C20MP11 | CF/CM42D | 1.01 | 1.07 | 0.93 |
| TM8Y120C20MP11 | CF/CM/CU36C | 1.00 | 1.07 | 0.94 |
| TM8Y120C20MP11 | CF/CM/CU42C | 1.01 | 1.07 | 0.93 |
| TM8Y120C20MP11 | CF/CM/CU48C | 1.01 | 1.07 | 0.93 |
| TM8Y120C20MP11 | CF/CM/CU48D | 1.01 | 1.07 | 0.93 |
| TM8Y120C20MP11 | CF/CM36D | 1.00 | 1.07 | 0.94 |
| TM8Y120C20MP11 | CF/CM42D | 1.01 | 1.07 | 0.93 |
| TM9E060A10MP12 | CF/CM/CU36B | 0.99 | 1.06 | 1.02 |
| TM9E060A10MP12 | CF42B | 1.00 | 1.07 | 1.02 |
| TM9E060B12MP11 | CF/CM/CU36B | 0.99 | 1.10 | 0.99 |
| TM9E060B12MP11 | CF/CM/CU36C | 0.99 | 1.04 | 0.97 |
| TM9E060B12MP11 | CF/CM/CU42C | 0.99 | 1.03 | 0.97 |
| TM9E060B12MP11 | CF/CM/CU48C | 1.00 | 1.05 | 0.96 |
| TM9E060B12MP11 | CF42B | 1.01 | 1.10 | 1.01 |
| TM9E060B12MP12 | CF/CM/CU36B | 0.99 | 1.09 | 0.99 |

FURNACE MULTIPLIERS- 3 TON (Continued)

| Furnaces | Coil | T.C. | S.C. | KW |
|----------------|-------------|------|------|------|
| TM9E060B12MP12 | CF/CM/CU36C | 1.00 | 1.11 | 1.02 |
| TM9E060B12MP12 | CF/CM/CU42C | 1.01 | 1.10 | 1.01 |
| TM9E060B12MP12 | CF/CM/CU48C | 1.01 | 1.11 | 1.01 |
| TM9E060B12MP12 | CF42B | 1.00 | 1.07 | 1.00 |
| TM9E080B12MP11 | CF/CM/CU36B | 0.99 | 1.04 | 0.97 |
| TM9E080B12MP11 | CF/CM/CU36C | 1.01 | 1.14 | 0.99 |
| TM9E080B12MP11 | CF/CM/CU42C | 1.00 | 1.06 | 0.96 |
| TM9E080B12MP11 | CF/CM/CU48C | 1.01 | 1.07 | 0.97 |
| TM9E080B12MP11 | CF42B | 0.99 | 1.03 | 0.97 |
| TM9E080B12MP12 | CF/CM/CU36B | 1.00 | 1.07 | 0.98 |
| TM9E080B12MP12 | CF/CM/CU36C | 1.01 | 1.11 | 0.99 |
| TM9E080B12MP12 | CF/CM/CU42C | 1.01 | 1.10 | 0.99 |
| TM9E080B12MP12 | CF/CM/CU48C | 1.02 | 1.11 | 1.00 |
| TM9E080B12MP12 | CF42B | 1.00 | 1.07 | 0.98 |
| TM9E080C16MP11 | CF/CM/CU36C | 0.99 | 1.05 | 0.95 |
| TM9E080C16MP11 | CF/CM/CU42C | 0.99 | 1.05 | 0.95 |
| TM9E080C16MP11 | CF/CM/CU48C | 1.01 | 1.05 | 0.95 |
| TM9E080C16MP11 | CF/CM/CU48D | 1.01 | 1.05 | 0.95 |
| TM9E080C16MP11 | CF/CM36D | 0.99 | 1.05 | 0.95 |
| TM9E080C16MP11 | CF/CM42D | 0.99 | 1.05 | 0.95 |
| TM9E080C16MP12 | CF/CM/CU36C | 1.01 | 1.11 | 0.97 |
| TM9E080C16MP12 | CF/CM/CU42C | 1.02 | 1.11 | 0.98 |
| TM9E080C16MP12 | CF/CM/CU48C | 1.02 | 1.11 | 0.98 |
| TM9E080C16MP12 | CF/CM/CU48D | 1.02 | 1.11 | 0.98 |
| TM9E080C16MP12 | CF/CM36D | 1.01 | 1.11 | 0.99 |
| TM9E080C16MP12 | CF/CM42D | 1.02 | 1.11 | 0.98 |
| TM9E080C20MP12 | CF/CM/CU36C | 1.02 | 1.18 | 0.98 |
| TM9E080C20MP12 | CF/CM/CU42C | 1.03 | 1.17 | 0.99 |
| TM9E080C20MP12 | CF/CM/CU48C | 1.03 | 1.17 | 0.99 |
| TM9E080C20MP12 | CF/CM/CU48D | 1.03 | 1.20 | 0.99 |
| TM9E080C20MP12 | CF/CM36D | 1.03 | 1.19 | 0.99 |
| TM9E080C20MP12 | CF/CM42D | 1.03 | 1.18 | 0.99 |
| TM9E100C16MP11 | CF/CM/CU36C | 0.99 | 1.05 | 0.95 |
| TM9E100C16MP11 | CF/CM/CU42C | 0.99 | 1.05 | 0.95 |
| TM9E100C16MP11 | CF/CM/CU48C | 1.01 | 1.07 | 0.95 |
| TM9E100C16MP11 | CF/CM/CU48D | 1.01 | 1.07 | 0.95 |
| TM9E100C16MP11 | CF/CM36D | 1.00 | 1.06 | 0.94 |
| TM9E100C16MP11 | CF/CM42D | 1.01 | 1.07 | 0.95 |
| TM9E100C16MP12 | CF/CM/CU36C | 1.01 | 1.11 | 0.97 |
| TM9E100C16MP12 | CF/CM/CU42C | 1.02 | 1.11 | 0.98 |
| TM9E100C16MP12 | CF/CM/CU48C | 1.02 | 1.11 | 0.98 |
| TM9E100C16MP12 | CF/CM/CU48D | 1.02 | 1.11 | 0.98 |
| TM9E100C16MP12 | CF/CM36D | 1.01 | 1.11 | 0.97 |
| TM9E100C16MP12 | CF/CM42D | 1.02 | 1.11 | 0.98 |
| TM9E100C20MP11 | CF/CM/CU36C | 1.02 | 1.15 | 0.98 |
| TM9E100C20MP11 | CF/CM/CU42C | 1.02 | 1.16 | 0.98 |
| TM9E100C20MP11 | CF/CM/CU48C | 1.03 | 1.16 | 0.97 |
| TM9E100C20MP11 | CF/CM/CU48D | 1.03 | 1.18 | 0.97 |
| TM9E100C20MP11 | CF/CM36D | 1.02 | 1.16 | 0.98 |
| TM9E100C20MP12 | CF/CM/CU36C | 1.03 | 1.17 | 0.99 |
| TM9E100C20MP12 | CF/CM/CU42C | 1.03 | 1.17 | 0.99 |
| TM9E100C20MP12 | CF/CM/CU48C | 1.03 | 1.17 | 0.99 |
| TM9E100C20MP12 | CF/CM/CU48D | 1.03 | 1.17 | 0.99 |
| TM9E100C20MP12 | CF/CM36D | 1.03 | 1.19 | 0.99 |

FURNACE MULTIPLIERS- 3 TON (Continued)

| Furnaces | Coil | T.C. | S.C. | KW |
|-----------------|-------------|------|------|------|
| TM9E100C20MP12 | CF/CM42D | 1.03 | 1.17 | 0.99 |
| TM9E120D20MP11 | CF/CM/CU48D | 1.03 | 1.20 | 0.97 |
| TM9E120D20MP11 | CF/CM36D | 1.03 | 1.19 | 0.97 |
| TM9E120D20MP11 | CF/CM42D | 1.03 | 1.18 | 0.97 |
| TM9E120D20MP12 | CF/CM/CU48D | 1.03 | 1.20 | 0.99 |
| TM9E120D20MP12 | CF/CM36D | 1.02 | 1.18 | 0.98 |
| TM9E120D20MP12 | CF/CM42D | 1.03 | 1.18 | 0.99 |
| TM9V060B12MP12C | CF/CM/CU36B | 0.99 | 1.05 | 0.99 |
| TM9V060B12MP12C | CF/CM/CU36C | 0.99 | 1.05 | 0.97 |
| TM9V060B12MP12C | CF/CM/CU42C | 1.00 | 1.06 | 0.98 |
| TM9V060B12MP12C | CF/CM/CU48C | 1.00 | 1.06 | 0.98 |
| TM9V060B12MP12C | CF42B | 0.99 | 1.05 | 0.97 |
| TM9V080B12MP11C | CF/CM/CU36B | 0.99 | 1.04 | 0.97 |
| TM9V080B12MP11C | CF/CM/CU36C | 1.00 | 1.07 | 0.98 |
| TM9V080B12MP11C | CF/CM/CU42C | 1.01 | 1.08 | 0.97 |
| TM9V080B12MP11C | CF/CM/CU48C | 1.01 | 1.09 | 0.97 |
| TM9V080B12MP11C | CF42B | 0.99 | 1.03 | 0.97 |
| TM9V080B12MP12C | CF/CM/CU36B | 0.99 | 1.04 | 0.97 |
| TM9V080B12MP12C | CF/CM/CU36C | 1.00 | 1.07 | 0.98 |
| TM9V080B12MP12C | CF/CM/CU42C | 1.01 | 1.08 | 0.97 |
| TM9V080B12MP12C | CF/CM/CU48C | 1.01 | 1.09 | 0.97 |
| TM9V080B12MP12C | CF42B | 0.99 | 1.03 | 0.97 |
| TM9V080C16MP11C | CF/CM/CU36C | 1.00 | 1.07 | 0.96 |
| TM9V080C16MP11C | CF/CM/CU42C | 1.01 | 1.07 | 0.97 |
| TM9V080C16MP11C | CF/CM/CU48C | 1.01 | 1.07 | 0.97 |
| TM9V080C16MP11C | CF/CM/CU48D | 1.01 | 1.07 | 0.97 |
| TM9V080C16MP11C | CF/CM36D | 1.00 | 1.07 | 0.96 |
| TM9V080C16MP11C | CF/CM42D | 1.01 | 1.07 | 0.97 |
| TM9V080C16MP12C | CF/CM/CU36C | 1.00 | 1.07 | 0.96 |
| TM9V080C16MP12C | CF/CM/CU42C | 1.01 | 1.07 | 0.97 |
| TM9V080C16MP12C | CF/CM/CU48C | 1.01 | 1.07 | 0.97 |
| TM9V080C16MP12C | CF/CM/CU48D | 1.01 | 1.07 | 0.97 |
| TM9V080C16MP12C | CF/CM36D | 1.00 | 1.07 | 0.96 |
| TM9V080C16MP12C | CF/CM42D | 1.01 | 1.07 | 0.97 |
| TM9V100C16MP11C | CF/CM/CU36C | 1.00 | 1.06 | 0.94 |
| TM9V100C16MP11C | CF/CM/CU42C | 1.01 | 1.07 | 0.95 |
| TM9V100C16MP11C | CF/CM/CU48C | 1.02 | 1.11 | 0.96 |
| TM9V100C16MP11C | CF/CM/CU48D | 1.01 | 1.05 | 0.95 |
| TM9V100C16MP11C | CF/CM36D | 1.01 | 1.11 | 0.95 |
| TM9V100C16MP11C | CF/CM42D | 1.02 | 1.11 | 0.96 |
| TM9V100C16MP12C | CF/CM/CU36C | 1.00 | 1.06 | 0.94 |
| TM9V100C16MP12C | CF/CM/CU42C | 1.01 | 1.07 | 0.95 |
| TM9V100C16MP12C | CF/CM/CU48C | 1.02 | 1.11 | 0.96 |
| TM9V100C16MP12C | CF/CM/CU48D | 1.01 | 1.05 | 0.95 |
| TM9V100C16MP12C | CF/CM36D | 1.01 | 1.11 | 0.95 |
| TM9V100C16MP12C | CF/CM42D | 1.02 | 1.11 | 0.96 |
| TM9V100C20MP11C | CF/CM/CU36C | 1.01 | 1.11 | 0.97 |
| TM9V100C20MP11C | CF/CM/CU42C | 1.02 | 1.11 | 0.98 |
| TM9V100C20MP11C | CF/CM/CU48C | 1.02 | 1.11 | 0.96 |
| TM9V100C20MP11C | CF/CM/CU48D | 1.02 | 1.12 | 0.96 |
| TM9V100C20MP11C | CF/CM36D | 1.01 | 1.11 | 0.97 |
| TM9V100C20MP11C | CF/CM42D | 1.02 | 1.11 | 0.96 |
| TM9V100C20MP12C | CF/CM/CU36C | 1.01 | 1.11 | 0.97 |
| TM9V100C20MP12C | CF/CM/CU42C | 1.02 | 1.11 | 0.98 |
| TM9V100C20MP12C | CF/CM/CU48C | 1.02 | 1.11 | 0.96 |
| TM9V100C20MP12C | CF/CM/CU48D | 1.02 | 1.11 | 0.96 |

FURNACE MULTIPLIERS- 3 TON (Continued)

| Furnaces | Coil | T.C. | S.C. | KW |
|-----------------|-------------|------|------|------|
| TM9V100C20MP12C | CF/CM/CU48D | 1.02 | 1.12 | 0.96 |
| TM9V100C20MP12C | CF/CM36D | 1.01 | 1.11 | 0.97 |
| TM9V100C20MP12C | CF/CM42D | 1.02 | 1.11 | 0.96 |
| TM9V120D20MP11C | CF/CM/CU48D | 1.02 | 1.10 | 0.94 |
| TM9V120D20MP11C | CF/CM36D | 1.01 | 1.09 | 0.95 |
| TM9V120D20MP11C | CF/CM42D | 1.02 | 1.08 | 0.94 |
| TM9V120D20MP12C | CF/CM/CU48D | 1.02 | 1.10 | 0.94 |
| TM9V120D20MP12C | CF/CM36D | 1.01 | 1.09 | 0.95 |
| TM9V120D20MP12C | CF/CM42D | 1.02 | 1.08 | 0.94 |
| TM9Y060B12MP11 | CF/CM/CU36B | 0.99 | 1.10 | 0.99 |
| TM9Y060B12MP11 | CF/CM/CU36C | 0.99 | 1.04 | 0.97 |
| TM9Y060B12MP11 | CF/CM/CU42C | 0.99 | 1.03 | 0.97 |
| TM9Y060B12MP11 | CF/CM/CU48C | 1.00 | 1.05 | 0.96 |
| TM9Y060B12MP11 | CF42B | 1.01 | 1.10 | 1.01 |
| TM9Y080B12MP11 | CF/CM/CU36B | 0.99 | 1.04 | 0.97 |
| TM9Y080B12MP11 | CF/CM/CU36C | 1.01 | 1.14 | 0.99 |
| TM9Y080B12MP11 | CF/CM/CU42C | 1.00 | 1.06 | 0.96 |
| TM9Y080B12MP11 | CF/CM/CU48C | 1.01 | 1.07 | 0.97 |
| TM9Y080B12MP11 | CF42B | 0.99 | 1.03 | 0.97 |
| TM9Y080C16MP11 | CF/CM/CU36C | 0.99 | 1.05 | 0.95 |
| TM9Y080C16MP11 | CF/CM/CU42C | 0.99 | 1.05 | 0.95 |
| TM9Y080C16MP11 | CF/CM/CU48C | 1.01 | 1.05 | 0.95 |
| TM9Y080C16MP11 | CF/CM/CU48D | 1.01 | 1.05 | 0.95 |
| TM9Y080C16MP11 | CF/CM36D | 0.99 | 1.05 | 0.95 |
| TM9Y080C16MP11 | CF/CM42D | 0.99 | 1.05 | 0.95 |
| TM9Y100C16MP11 | CF/CM/CU36C | 0.99 | 1.05 | 0.95 |
| TM9Y100C16MP11 | CF/CM/CU42C | 0.99 | 1.05 | 0.95 |
| TM9Y100C16MP11 | CF/CM/CU48C | 1.01 | 1.07 | 0.95 |
| TM9Y100C16MP11 | CF/CM/CU48D | 1.01 | 1.07 | 0.95 |
| TM9Y100C16MP11 | CF/CM36D | 1.00 | 1.06 | 0.94 |
| TM9Y100C16MP11 | CF/CM42D | 1.01 | 1.07 | 0.95 |
| TM9Y100C20MP11 | CF/CM/CU36C | 1.02 | 1.15 | 0.98 |
| TM9Y100C20MP11 | CF/CM/CU42C | 1.02 | 1.16 | 0.98 |
| TM9Y100C20MP11 | CF/CM/CU48C | 1.03 | 1.16 | 0.97 |
| TM9Y100C20MP11 | CF/CM/CU48D | 1.03 | 1.18 | 0.97 |
| TM9Y100C20MP11 | CF/CM36D | 1.02 | 1.16 | 0.98 |
| TM9Y100C20MP11 | CF/CM42D | 1.03 | 1.17 | 0.97 |
| TM9Y120D20MP11 | CF/CM/CU48D | 1.03 | 1.20 | 0.97 |
| TM9Y120D20MP11 | CF/CM36D | 1.03 | 1.19 | 0.97 |
| TM9Y120D20MP11 | CF/CM42D | 1.03 | 1.18 | 0.97 |
| TMLV060A12MP11C | CF/CM/CU36B | 0.99 | 1.04 | 0.97 |
| TMLV060A12MP11C | CF/CM36A | 0.98 | 1.03 | 0.98 |
| TMLV060A12MP11C | CF42B | 0.99 | 1.03 | 0.97 |
| TMLV060A12MP12C | CF/CM/CU36B | 0.99 | 1.04 | 0.97 |
| TMLV060A12MP12C | CF/CM36A | 0.98 | 1.03 | 0.98 |
| TMLV060A12MP12C | CF42B | 0.99 | 1.03 | 0.97 |
| TMLV080B12MP11C | CF/CM/CU36B | 0.99 | 1.05 | 0.99 |
| TMLV080B12MP11C | CF/CM/CU36C | 0.99 | 1.05 | 0.97 |
| TMLV080B12MP11C | CF/CM/CU42C | 1.00 | 1.06 | 0.98 |
| TMLV080B12MP11C | CF/CM/CU48C | 1.00 | 1.06 | 0.98 |
| TMLV080B12MP11C | CF42B | 0.99 | 1.05 | 0.99 |
| TMLV080B12MP12C | CF/CM/CU36B | 0.99 | 1.05 | 0.99 |
| TMLV080B12MP12C | CF/CM/CU36C | 0.99 | 1.05 | 0.97 |
| TMLV080B12MP12C | CF/CM/CU42C | 1.00 | 1.06 | 0.98 |
| TMLV080B12MP12C | CF/CM/CU48C | 1.00 | 1.06 | 0.98 |

FURNACE MULTIPLIERS- 3 TON (Continued)

| Furnaces | Coil | T.C. | S.C. | KW |
|-----------------|-------------|------|------|------|
| TMLV080B12MP12C | CF42B | 0.99 | 1.05 | 0.99 |
| TMLV080C16MP11C | CF/CM/CU36C | 1.01 | 1.09 | 0.97 |
| TMLV080C16MP11C | CF/CM/CU42C | 1.01 | 1.08 | 0.95 |
| TMLV080C16MP11C | CF/CM/CU48C | 1.01 | 1.09 | 0.95 |
| TMLV080C16MP11C | CF/CM/CU48D | 1.01 | 1.09 | 0.95 |
| TMLV080C16MP11C | CF/CM36D | 1.01 | 1.09 | 0.95 |
| TMLV080C16MP11C | CF/CM42D | 1.02 | 1.09 | 0.96 |
| TMLV080C16MP12C | CF/CM/CU36C | 1.01 | 1.09 | 0.97 |
| TMLV080C16MP12C | CF/CM/CU42C | 1.01 | 1.08 | 0.95 |
| TMLV080C16MP12C | CF/CM/CU48C | 1.01 | 1.09 | 0.95 |
| TMLV080C16MP12C | CF/CM/CU48D | 1.01 | 1.09 | 0.95 |
| TMLV080C16MP12C | CF/CM36D | 1.01 | 1.09 | 0.95 |
| TMLV080C16MP12C | CF/CM42D | 1.02 | 1.09 | 0.96 |
| TMLV100C16MP11C | CF/CM/CU36C | 1.01 | 1.09 | 0.97 |
| TMLV100C16MP11C | CF/CM/CU42C | 1.01 | 1.08 | 0.95 |
| TMLV100C16MP11C | CF/CM/CU48C | 1.01 | 1.09 | 0.95 |
| TMLV100C16MP11C | CF/CM/CU48D | 1.01 | 1.09 | 0.95 |
| TMLV100C16MP11C | CF/CM36D | 1.01 | 1.09 | 0.95 |
| TMLV100C16MP11C | CF/CM42D | 1.02 | 1.09 | 0.96 |
| TMLV100C16MP12C | CF/CM/CU36C | 1.01 | 1.09 | 0.97 |
| TMLV100C16MP12C | CF/CM/CU42C | 1.01 | 1.08 | 0.95 |
| TMLV100C16MP12C | CF/CM/CU48C | 1.01 | 1.09 | 0.95 |
| TMLV100C16MP12C | CF/CM/CU48D | 1.01 | 1.09 | 0.95 |
| TMLV100C16MP12C | CF/CM36D | 1.01 | 1.09 | 0.95 |
| TMLV100C16MP12C | CF/CM42D | 1.02 | 1.09 | 0.96 |
| TMLV100C20MP11C | CF/CM/CU36C | 1.02 | 1.15 | 0.96 |
| TMLV100C20MP11C | CF/CM/CU42C | 1.03 | 1.15 | 0.97 |
| TMLV100C20MP11C | CF/CM/CU48C | 1.03 | 1.16 | 0.97 |
| TMLV100C20MP11C | CF/CM/CU48D | 1.03 | 1.16 | 0.95 |
| TMLV100C20MP11C | CF/CM36D | 1.02 | 1.15 | 0.96 |
| TMLV100C20MP11C | CF/CM42D | 1.03 | 1.15 | 0.95 |
| TMLV100C20MP12C | CF/CM/CU36C | 1.02 | 1.15 | 0.96 |
| TMLV100C20MP12C | CF/CM/CU42C | 1.03 | 1.15 | 0.97 |
| TMLV100C20MP12C | CF/CM/CU48C | 1.03 | 1.16 | 0.97 |
| TMLV100C20MP12C | CF/CM/CU48D | 1.03 | 1.16 | 0.95 |
| TMLV100C20MP12C | CF/CM36D | 1.02 | 1.15 | 0.96 |
| TMLV100C20MP12C | CF/CM42D | 1.03 | 1.15 | 0.95 |
| TMLV120C20MP11C | CF/CM/CU36C | 1.02 | 1.15 | 0.96 |
| TMLV120C20MP11C | CF/CM/CU42C | 1.03 | 1.15 | 0.97 |
| TMLV120C20MP11C | CF/CM/CU48C | 1.03 | 1.16 | 0.97 |
| TMLV120C20MP11C | CF/CM/CU48D | 1.03 | 1.16 | 0.95 |
| TMLV120C20MP11C | CF/CM36D | 1.02 | 1.15 | 0.96 |
| TMLV120C20MP11C | CF/CM42D | 1.03 | 1.15 | 0.95 |
| TMLV120C20MP12C | CF/CM/CU36C | 1.02 | 1.15 | 0.96 |
| TMLV120C20MP12C | CF/CM/CU42C | 1.03 | 1.15 | 0.97 |
| TMLV120C20MP12C | CF/CM/CU48C | 1.03 | 1.16 | 0.97 |
| TMLV120C20MP12C | CF/CM/CU48D | 1.03 | 1.16 | 0.95 |
| TMLV120C20MP12C | CF/CM36D | 1.02 | 1.15 | 0.96 |
| TMLV120C20MP12C | CF/CM42D | 1.03 | 1.15 | 0.95 |
| TMLX060A12MP11 | CF/CM/CU36B | 1.00 | 1.11 | 1.00 |
| TMLX060A12MP11 | CF/CM36A | 0.99 | 1.09 | 0.99 |
| TMLX060A12MP11 | CF42B | 1.01 | 1.11 | 0.99 |
| TMLX080B12MP11 | CF/CM/CU36B | 0.99 | 1.04 | 0.95 |
| TMLX080B12MP11 | CF/CM/CU36C | 0.99 | 1.06 | 0.95 |
| TMLX080B12MP11 | CF/CM/CU42C | 1.01 | 1.06 | 0.97 |

FURNACE MULTIPLIERS- 3 TON (Continued)

| Furnaces | Coil | T.C. | S.C. | KW |
|-----------------|-------------|------|------|------|
| TMLX080B12MP11 | CF/CM/CU48C | 1.01 | 1.07 | 0.95 |
| TMLX080B12MP11 | CF42B | 1.02 | 1.13 | 1.00 |
| TMLX080C16MP11 | CF/CM/CU36C | 1.02 | 1.14 | 0.98 |
| TMLX080C16MP11 | CF/CM/CU42C | 1.02 | 1.14 | 0.96 |
| TMLX080C16MP11 | CF/CM/CU48C | 1.03 | 1.15 | 0.97 |
| TMLX080C16MP11 | CF/CM/CU48D | 1.01 | 1.05 | 0.95 |
| TMLX080C16MP11 | CF/CM36D | 0.99 | 1.05 | 0.94 |
| TMLX080C16MP11 | CF/CM42D | 0.99 | 1.05 | 0.94 |
| TMLX100C16MP11 | CF/CM/CU36C | 1.02 | 1.14 | 0.98 |
| TMLX100C16MP11 | CF/CM/CU42C | 1.02 | 1.14 | 0.96 |
| TMLX100C16MP11 | CF/CM/CU48C | 1.03 | 1.15 | 0.97 |
| TMLX100C16MP11 | CF/CM/CU48D | 1.01 | 1.05 | 0.95 |
| TMLX100C16MP11 | CF/CM36D | 0.99 | 1.05 | 0.94 |
| TMLX100C16MP11 | CF/CM42D | 0.99 | 1.05 | 0.94 |
| TMLX100C20MP11 | CF/CM/CU36C | 1.00 | 1.07 | 0.94 |
| TMLX100C20MP11 | CF/CM/CU42C | 1.01 | 1.07 | 0.93 |
| TMLX100C20MP11 | CF/CM/CU48C | 1.01 | 1.07 | 0.93 |
| TMLX100C20MP11 | CF/CM/CU48D | 1.01 | 1.07 | 0.93 |
| TMLX100C20MP11 | CF/CM36D | 1.00 | 1.07 | 0.94 |
| TMLX100C20MP11 | CF/CM42D | 1.01 | 1.07 | 0.93 |
| TMLX120C20MP11 | CF/CM/CU36C | 1.00 | 1.07 | 0.94 |
| TMLX120C20MP11 | CF/CM/CU42C | 1.01 | 1.07 | 0.93 |
| TMLX120C20MP11 | CF/CM/CU48C | 1.01 | 1.07 | 0.93 |
| TMLX120C20MP11 | CF/CM/CU48D | 1.01 | 1.07 | 0.93 |
| TMLX120C20MP11 | CF/CM36D | 1.00 | 1.07 | 0.94 |
| TMLX120C20MP11 | CF/CM42D | 1.01 | 1.07 | 0.93 |
| TP9C060B12MP13C | CF/CM/CU36B | 0.99 | 1.05 | 0.99 |
| TP9C060B12MP13C | CF/CM/CU36C | 0.99 | 1.05 | 0.97 |
| TP9C060B12MP13C | CF/CM/CU42C | 1.00 | 1.06 | 0.98 |
| TP9C060B12MP13C | CF/CM/CU48C | 1.00 | 1.06 | 0.98 |
| TP9C060B12MP13C | CF42B | 0.99 | 1.05 | 0.97 |
| TP9C080B12MP12C | CF/CM/CU36B | 0.99 | 1.04 | 0.97 |
| TP9C080B12MP12C | CF/CM/CU36C | 1.00 | 1.07 | 0.98 |
| TP9C080B12MP12C | CF/CM/CU42C | 1.01 | 1.08 | 0.97 |
| TP9C080B12MP12C | CF/CM/CU48C | 1.01 | 1.09 | 0.97 |
| TP9C080B12MP12C | CF42B | 0.99 | 1.03 | 0.97 |
| TP9C080B12MP13C | CF/CM/CU36B | 0.99 | 1.04 | 0.97 |
| TP9C080B12MP13C | CF/CM/CU36C | 1.00 | 1.07 | 0.98 |
| TP9C080B12MP13C | CF/CM/CU42C | 1.01 | 1.08 | 0.97 |
| TP9C080B12MP13C | CF/CM/CU48C | 1.01 | 1.09 | 0.97 |
| TP9C080B12MP13C | CF42B | 0.99 | 1.03 | 0.97 |
| TP9C080C16MP13C | CF/CM/CU36C | 1.00 | 1.07 | 0.96 |
| TP9C080C16MP13C | CF/CM/CU42C | 1.01 | 1.07 | 0.97 |
| TP9C080C16MP13C | CF/CM/CU48C | 1.01 | 1.07 | 0.97 |
| TP9C080C16MP13C | CF/CM/CU48D | 1.01 | 1.07 | 0.97 |
| TP9C080C16MP13C | CF/CM36D | 1.00 | 1.07 | 0.96 |
| TP9C080C16MP13C | CF/CM42D | 1.01 | 1.07 | 0.97 |
| TP9C100C16MP12C | CF/CM/CU36C | 1.00 | 1.06 | 0.94 |
| TP9C100C16MP12C | CF/CM/CU42C | 1.01 | 1.07 | 0.95 |
| TP9C100C16MP12C | CF/CM/CU48C | 1.02 | 1.11 | 0.96 |
| TP9C100C16MP12C | CF/CM/CU48D | 1.01 | 1.05 | 0.95 |
| TP9C100C16MP12C | CF/CM36D | 1.01 | 1.11 | 0.95 |
| TP9C100C16MP12C | CF/CM42D | 1.02 | 1.11 | 0.96 |
| TP9C100C16MP13C | CF/CM/CU36C | 1.00 | 1.06 | 0.94 |
| TP9C100C16MP13C | CF/CM/CU42C | 1.01 | 1.07 | 0.95 |

FURNACE MULTIPLIERS- 3 TON (Continued)

| Furnaces | Coil | T.C. | S.C. | KW |
|-----------------|-------------|------|------|------|
| TP9C100C16MP13C | CF/CM/CU48C | 1.02 | 1.11 | 0.96 |
| TP9C100C16MP13C | CF/CM/CU48D | 1.01 | 1.05 | 0.95 |
| TP9C100C16MP13C | CF/CM36D | 1.01 | 1.11 | 0.95 |
| TP9C100C16MP13C | CF/CM42D | 1.02 | 1.11 | 0.96 |
| TP9C100C20MP12C | CF/CM/CU36C | 1.01 | 1.11 | 0.97 |
| TP9C100C20MP12C | CF/CM/CU42C | 1.02 | 1.11 | 0.98 |
| TP9C100C20MP12C | CF/CM/CU48C | 1.02 | 1.11 | 0.96 |
| TP9C100C20MP12C | CF/CM/CU48D | 1.02 | 1.12 | 0.96 |
| TP9C100C20MP12C | CF/CM36D | 1.01 | 1.11 | 0.97 |
| TP9C100C20MP12C | CF/CM42D | 1.02 | 1.11 | 0.96 |
| TP9C100C20MP13C | CF/CM/CU36C | 1.01 | 1.11 | 0.97 |
| TP9C100C20MP13C | CF/CM/CU42C | 1.02 | 1.11 | 0.98 |
| TP9C100C20MP13C | CF/CM/CU48C | 1.02 | 1.11 | 0.96 |
| TP9C100C20MP13C | CF/CM/CU48D | 1.02 | 1.12 | 0.96 |
| TP9C100C20MP13C | CF/CM36D | 1.01 | 1.11 | 0.97 |
| TP9C100C20MP13C | CF/CM42D | 1.02 | 1.11 | 0.96 |
| TP9C120D20MP12C | CF/CM/CU48D | 1.02 | 1.10 | 0.94 |
| TP9C120D20MP12C | CF/CM36D | 1.01 | 1.09 | 0.95 |
| TP9C120D20MP12C | CF/CM42D | 1.02 | 1.08 | 0.94 |
| TP9C120D20MP13C | CF/CM/CU48D | 1.02 | 1.10 | 0.94 |
| TP9C120D20MP13C | CF/CM36D | 1.01 | 1.09 | 0.95 |
| TP9C120D20MP13C | CF/CM42D | 1.02 | 1.08 | 0.94 |
| TPLC060A12MP12C | CF/CM/CU36B | 0.99 | 1.04 | 0.97 |
| TPLC060A12MP12C | CF/CM36A | 0.98 | 1.03 | 0.98 |
| TPLC060A12MP12C | CF42B | 0.99 | 1.03 | 0.97 |
| TPLC060A12MP13C | CF/CM/CU36B | 0.99 | 1.04 | 0.97 |
| TPLC060A12MP13C | CF/CM36A | 0.98 | 1.03 | 0.98 |
| TPLC060A12MP13C | CF42B | 0.99 | 1.03 | 0.97 |
| TPLC080B12MP12C | CF/CM/CU36B | 0.99 | 1.05 | 0.99 |
| TPLC080B12MP12C | CF/CM/CU36C | 0.99 | 1.05 | 0.97 |
| TPLC080B12MP12C | CF/CM/CU42C | 1.00 | 1.06 | 0.98 |
| TPLC080B12MP12C | CF/CM/CU48C | 1.00 | 1.06 | 0.98 |
| TPLC080B12MP12C | CF42B | 0.99 | 1.05 | 0.99 |
| TPLC080B12MP13C | CF/CM/CU36B | 0.99 | 1.05 | 0.99 |
| TPLC080B12MP13C | CF/CM/CU36C | 0.99 | 1.05 | 0.97 |
| TPLC080B12MP13C | CF/CM/CU42C | 1.00 | 1.06 | 0.98 |
| TPLC080B12MP13C | CF/CM/CU48C | 1.00 | 1.06 | 0.98 |
| TPLC080B12MP13C | CF42B | 0.99 | 1.05 | 0.99 |
| TPLC080C16MP12C | CF/CM/CU36C | 1.01 | 1.09 | 0.97 |
| TPLC080C16MP12C | CF/CM/CU42C | 1.01 | 1.08 | 0.95 |
| TPLC080C16MP12C | CF/CM/CU48C | 1.01 | 1.09 | 0.95 |
| TPLC080C16MP12C | CF/CM/CU48D | 1.01 | 1.09 | 0.95 |
| TPLC080C16MP12C | CF/CM36D | 1.01 | 1.09 | 0.95 |
| TPLC080C16MP12C | CF/CM42D | 1.02 | 1.09 | 0.96 |
| TPLC080C16MP13C | CF/CM/CU36C | 1.01 | 1.09 | 0.97 |
| TPLC080C16MP13C | CF/CM/CU42C | 1.01 | 1.08 | 0.95 |
| TPLC080C16MP13C | CF/CM/CU48C | 1.01 | 1.09 | 0.95 |
| TPLC080C16MP13C | CF/CM/CU48D | 1.01 | 1.09 | 0.95 |
| TPLC080C16MP13C | CF/CM36D | 1.01 | 1.09 | 0.95 |
| TPLC080C16MP13C | CF/CM42D | 1.02 | 1.09 | 0.96 |
| TPLC100C16MP12C | CF/CM/CU36C | 1.01 | 1.09 | 0.97 |
| TPLC100C16MP12C | CF/CM/CU42C | 1.01 | 1.08 | 0.95 |
| TPLC100C16MP12C | CF/CM/CU48C | 1.01 | 1.09 | 0.95 |
| TPLC100C16MP12C | CF/CM/CU48D | 1.01 | 1.09 | 0.95 |
| TPLC100C16MP12C | CF/CM36D | 1.01 | 1.09 | 0.95 |

FURNACE MULTIPLIERS- 3 TON (Continued)

| Furnaces | Coil | T.C. | S.C. | KW |
|-----------------|-------------|------|------|------|
| TPLC100C16MP12C | CF/CM42D | 1.02 | 1.09 | 0.96 |
| TPLC100C16MP13C | CF/CM/CU36C | 1.01 | 1.09 | 0.97 |
| TPLC100C16MP13C | CF/CM/CU42C | 1.01 | 1.08 | 0.95 |
| TPLC100C16MP13C | CF/CM/CU48C | 1.01 | 1.09 | 0.95 |
| TPLC100C16MP13C | CF/CM/CU48D | 1.01 | 1.09 | 0.95 |
| TPLC100C16MP13C | CF/CM36D | 1.01 | 1.09 | 0.95 |
| TPLC100C16MP13C | CF/CM42D | 1.02 | 1.09 | 0.96 |
| TPLC100C20MP12C | CF/CM/CU36C | 1.02 | 1.15 | 0.96 |
| TPLC100C20MP12C | CF/CM/CU42C | 1.03 | 1.15 | 0.97 |
| TPLC100C20MP12C | CF/CM/CU48C | 1.03 | 1.16 | 0.97 |
| TPLC100C20MP12C | CF/CM/CU48D | 1.03 | 1.16 | 0.95 |
| TPLC100C20MP12C | CF/CM36D | 1.02 | 1.15 | 0.96 |
| TPLC100C20MP12C | CF/CM42D | 1.03 | 1.15 | 0.95 |
| TPLC100C20MP13C | CF/CM/CU36C | 1.02 | 1.15 | 0.96 |
| TPLC100C20MP13C | CF/CM/CU42C | 1.03 | 1.15 | 0.97 |
| TPLC100C20MP13C | CF/CM/CU48C | 1.03 | 1.16 | 0.97 |
| TPLC100C20MP13C | CF/CM/CU48D | 1.03 | 1.16 | 0.95 |
| TPLC100C20MP13C | CF/CM36D | 1.02 | 1.15 | 0.96 |
| TPLC100C20MP13C | CF/CM42D | 1.03 | 1.15 | 0.95 |
| TPLC100C20MP13C | CF/CM/CU36C | 1.02 | 1.15 | 0.96 |
| TPLC100C20MP13C | CF/CM/CU42C | 1.03 | 1.15 | 0.97 |
| TPLC100C20MP13C | CF/CM/CU48C | 1.03 | 1.16 | 0.97 |
| TPLC100C20MP13C | CF/CM/CU48D | 1.03 | 1.16 | 0.95 |
| TPLC100C20MP13C | CF/CM36D | 1.02 | 1.15 | 0.96 |
| TPLC100C20MP13C | CF/CM42D | 1.03 | 1.15 | 0.95 |
| TPLC120C20MP12C | CF/CM/CU36C | 1.02 | 1.15 | 0.96 |
| TPLC120C20MP12C | CF/CM/CU42C | 1.03 | 1.15 | 0.97 |
| TPLC120C20MP12C | CF/CM/CU48C | 1.03 | 1.16 | 0.97 |
| TPLC120C20MP12C | CF/CM/CU48D | 1.03 | 1.16 | 0.95 |
| TPLC120C20MP12C | CF/CM36D | 1.02 | 1.15 | 0.96 |
| TPLC120C20MP12C | CF/CM42D | 1.03 | 1.15 | 0.95 |
| TPLC120C20MP12C | CF/CM/CU36C | 1.02 | 1.15 | 0.96 |
| TPLC120C20MP12C | CF/CM/CU42C | 1.03 | 1.15 | 0.97 |
| TPLC120C20MP12C | CF/CM/CU48C | 1.03 | 1.16 | 0.97 |
| TPLC120C20MP12C | CF/CM/CU48D | 1.03 | 1.16 | 0.95 |
| TPLC120C20MP12C | CF/CM36D | 1.02 | 1.15 | 0.96 |
| TPLC120C20MP12C | CF/CM42D | 1.03 | 1.15 | 0.95 |
| TPLC120C20MP13C | CF/CM/CU36C | 1.02 | 1.15 | 0.96 |
| TPLC120C20MP13C | CF/CM/CU42C | 1.03 | 1.15 | 0.97 |
| TPLC120C20MP13C | CF/CM/CU48C | 1.03 | 1.16 | 0.97 |
| TPLC120C20MP13C | CF/CM/CU48D | 1.03 | 1.16 | 0.95 |
| TPLC120C20MP13C | CF/CM36D | 1.02 | 1.15 | 0.96 |
| TPLC120C20MP13C | CF/CM42D | 1.03 | 1.15 | 0.95 |
| YP9C060B12MP13C | CF/CM/CU36B | 0.99 | 1.05 | 0.99 |
| YP9C060B12MP13C | CF/CM/CU36C | 0.99 | 1.05 | 0.97 |
| YP9C060B12MP13C | CF/CM/CU42C | 1.00 | 1.06 | 0.98 |
| YP9C060B12MP13C | CF/CM/CU48C | 1.00 | 1.06 | 0.98 |
| YP9C060B12MP13C | CF42B | 0.99 | 1.05 | 0.97 |
| YP9C080B12MP12C | CF/CM/CU36B | 0.99 | 1.04 | 0.97 |
| YP9C080B12MP12C | CF/CM/CU36C | 1.00 | 1.07 | 0.98 |
| YP9C080B12MP12C | CF/CM/CU42C | 1.01 | 1.08 | 0.97 |
| YP9C080B12MP12C | CF/CM/CU48C | 1.01 | 1.09 | 0.97 |
| YP9C080B12MP12C | CF42B | 0.99 | 1.03 | 0.97 |
| YP9C080B12MP13C | CF/CM/CU36B | 0.99 | 1.04 | 0.97 |
| YP9C080B12MP13C | CF/CM/CU36C | 1.00 | 1.07 | 0.98 |
| YP9C080B12MP13C | CF/CM/CU42C | 1.01 | 1.08 | 0.97 |
| YP9C080B12MP13C | CF/CM/CU48C | 1.01 | 1.09 | 0.97 |
| YP9C080B12MP13C | CF42B | 0.99 | 1.03 | 0.97 |
| YP9C080C16MP13C | CF/CM/CU36C | 1.00 | 1.07 | 0.96 |
| YP9C080C16MP13C | CF/CM/CU42C | 1.01 | 1.07 | 0.97 |
| YP9C080C16MP13C | CF/CM/CU48C | 1.01 | 1.07 | 0.97 |
| YP9C080C16MP13C | CF/CM/CU48D | 1.01 | 1.07 | 0.97 |
| YP9C080C16MP13C | CF/CM36D | 1.00 | 1.07 | 0.96 |
| YP9C080C16MP13C | CF/CM42D | 1.01 | 1.07 | 0.97 |
| YP9C100C16MP12C | CF/CM/CU36C | 1.00 | 1.06 | 0.94 |
| YP9C100C16MP12C | CF/CM/CU42C | 1.01 | 1.07 | 0.95 |
| YP9C100C16MP12C | CF/CM/CU48C | 1.02 | 1.11 | 0.96 |

FURNACE MULTIPLIERS- 3 TON (Continued)

| Furnaces | Coil | T.C. | S.C. | KW |
|-----------------|-------------|------|------|------|
| YP9C100C16MP12C | CF/CM/CU48D | 1.01 | 1.05 | 0.95 |
| YP9C100C16MP12C | CF/CM36D | 1.01 | 1.11 | 0.95 |
| YP9C100C16MP12C | CF/CM42D | 1.02 | 1.11 | 0.96 |
| YP9C100C16MP13C | CF/CM/CU36C | 1.00 | 1.06 | 0.94 |
| YP9C100C16MP13C | CF/CM/CU42C | 1.01 | 1.07 | 0.95 |
| YP9C100C16MP13C | CF/CM/CU48C | 1.02 | 1.11 | 0.96 |
| YP9C100C16MP13C | CF/CM/CU48D | 1.01 | 1.05 | 0.95 |
| YP9C100C16MP13C | CF/CM36D | 1.01 | 1.11 | 0.95 |
| YP9C100C16MP13C | CF/CM42D | 1.02 | 1.11 | 0.96 |
| YP9C100C20MP12C | CF/CM/CU36C | 1.01 | 1.11 | 0.97 |
| YP9C100C20MP12C | CF/CM/CU42C | 1.02 | 1.11 | 0.98 |
| YP9C100C20MP12C | CF/CM/CU48C | 1.02 | 1.11 | 0.96 |
| YP9C100C20MP12C | CF/CM/CU48D | 1.02 | 1.12 | 0.96 |
| YP9C100C20MP12C | CF/CM36D | 1.01 | 1.11 | 0.97 |
| YP9C100C20MP12C | CF/CM42D | 1.02 | 1.11 | 0.96 |
| YP9C100C20MP13C | CF/CM/CU36C | 1.01 | 1.11 | 0.97 |
| YP9C100C20MP13C | CF/CM/CU42C | 1.02 | 1.11 | 0.98 |
| YP9C100C20MP13C | CF/CM/CU48C | 1.02 | 1.11 | 0.96 |
| YP9C100C20MP13C | CF/CM/CU48D | 1.02 | 1.12 | 0.96 |
| YP9C100C20MP13C | CF/CM36D | 1.01 | 1.11 | 0.97 |
| YP9C100C20MP13C | CF/CM42D | 1.02 | 1.11 | 0.96 |
| YP9C120D20MP12C | CF/CM/CU48D | 1.02 | 1.10 | 0.94 |
| YP9C120D20MP12C | CF/CM36D | 1.01 | 1.09 | 0.95 |
| YP9C120D20MP12C | CF/CM42D | 1.02 | 1.08 | 0.94 |
| YP9C120D20MP13C | CF/CM/CU48D | 1.02 | 1.10 | 0.94 |
| YP9C120D20MP13C | CF/CM36D | 1.01 | 1.09 | 0.95 |
| YP9C120D20MP13C | CF/CM42D | 1.02 | 1.08 | 0.94 |
| YPLC060A12MP12C | CF/CM/CU36B | 0.99 | 1.04 | 0.97 |
| YPLC060A12MP12C | CF/CM36A | 0.98 | 1.03 | 0.98 |
| YPLC060A12MP12C | CF42B | 0.99 | 1.03 | 0.97 |
| YPLC060A12MP13C | CF/CM/CU36B | 0.99 | 1.04 | 0.97 |
| YPLC060A12MP13C | CF/CM36A | 0.98 | 1.03 | 0.98 |
| YPLC060A12MP13C | CF42B | 0.99 | 1.03 | 0.97 |
| YPLC080B12MP12C | CF/CM/CU36B | 0.99 | 1.05 | 0.99 |
| YPLC080B12MP12C | CF/CM/CU36C | 0.99 | 1.05 | 0.97 |
| YPLC080B12MP12C | CF/CM/CU42C | 1.00 | 1.06 | 0.98 |
| YPLC080B12MP12C | CF/CM/CU48C | 1.00 | 1.06 | 0.98 |
| YPLC080B12MP12C | CF42B | 0.99 | 1.05 | 0.99 |
| YPLC080B12MP13C | CF/CM/CU36B | 0.99 | 1.05 | 0.99 |
| YPLC080B12MP13C | CF/CM/CU36C | 0.99 | 1.05 | 0.97 |
| YPLC080B12MP13C | CF/CM/CU42C | 1.00 | 1.06 | 0.98 |
| YPLC080B12MP13C | CF/CM/CU48C | 1.00 | 1.06 | 0.98 |
| YPLC080B12MP13C | CF42B | 0.99 | 1.05 | 0.99 |
| YPLC080C16MP12C | CF/CM/CU36C | 1.01 | 1.09 | 0.97 |
| YPLC080C16MP12C | CF/CM/CU42C | 1.01 | 1.08 | 0.95 |
| YPLC080C16MP12C | CF/CM/CU48C | 1.01 | 1.09 | 0.95 |
| YPLC080C16MP12C | CF/CM/CU48D | 1.01 | 1.09 | 0.95 |

FURNACE MULTIPLIERS- 3 TON (Continued)

| Furnaces | Coil | T.C. | S.C. | KW |
|-----------------|-------------|------|------|------|
| YPLC080C16MP12C | CF/CM36D | 1.01 | 1.09 | 0.95 |
| YPLC080C16MP12C | CF/CM42D | 1.02 | 1.09 | 0.96 |
| YPLC080C16MP13C | CF/CM/CU36C | 1.01 | 1.09 | 0.97 |
| YPLC080C16MP13C | CF/CM/CU42C | 1.01 | 1.08 | 0.95 |
| YPLC080C16MP13C | CF/CM/CU48C | 1.01 | 1.09 | 0.95 |
| YPLC080C16MP13C | CF/CM/CU48D | 1.01 | 1.09 | 0.95 |
| YPLC080C16MP13C | CF/CM36D | 1.01 | 1.09 | 0.95 |
| YPLC080C16MP13C | CF/CM42D | 1.02 | 1.09 | 0.96 |
| YPLC100C16MP12C | CF/CM/CU36C | 1.01 | 1.09 | 0.97 |
| YPLC100C16MP12C | CF/CM/CU42C | 1.01 | 1.08 | 0.95 |
| YPLC100C16MP12C | CF/CM/CU48C | 1.01 | 1.09 | 0.95 |
| YPLC100C16MP12C | CF/CM/CU48D | 1.01 | 1.09 | 0.95 |
| YPLC100C16MP12C | CF/CM36D | 1.01 | 1.09 | 0.95 |
| YPLC100C16MP12C | CF/CM42D | 1.02 | 1.09 | 0.96 |
| YPLC100C16MP13C | CF/CM/CU36C | 1.01 | 1.09 | 0.97 |
| YPLC100C16MP13C | CF/CM/CU42C | 1.01 | 1.08 | 0.95 |
| YPLC100C16MP13C | CF/CM/CU48C | 1.01 | 1.09 | 0.95 |
| YPLC100C16MP13C | CF/CM/CU48D | 1.01 | 1.09 | 0.95 |
| YPLC100C16MP13C | CF/CM36D | 1.01 | 1.09 | 0.95 |
| YPLC100C16MP13C | CF/CM42D | 1.02 | 1.09 | 0.96 |
| YPLC100C20MP12C | CF/CM/CU36C | 1.02 | 1.15 | 0.96 |
| YPLC100C20MP12C | CF/CM/CU42C | 1.03 | 1.15 | 0.97 |
| YPLC100C20MP12C | CF/CM/CU48C | 1.03 | 1.16 | 0.97 |
| YPLC100C20MP12C | CF/CM/CU48D | 1.03 | 1.16 | 0.95 |
| YPLC100C20MP12C | CF/CM36D | 1.02 | 1.15 | 0.96 |
| YPLC100C20MP12C | CF/CM42D | 1.03 | 1.15 | 0.95 |
| YPLC100C20MP13C | CF/CM/CU36C | 1.02 | 1.15 | 0.96 |
| YPLC100C20MP13C | CF/CM/CU42C | 1.03 | 1.15 | 0.97 |
| YPLC100C20MP13C | CF/CM/CU48C | 1.03 | 1.16 | 0.97 |
| YPLC100C20MP13C | CF/CM/CU48D | 1.03 | 1.16 | 0.95 |
| YPLC100C20MP13C | CF/CM36D | 1.02 | 1.15 | 0.96 |
| YPLC100C20MP13C | CF/CM42D | 1.03 | 1.15 | 0.95 |
| YPLC120C20MP12C | CF/CM/CU36C | 1.02 | 1.15 | 0.96 |
| YPLC120C20MP12C | CF/CM/CU42C | 1.03 | 1.15 | 0.97 |
| YPLC120C20MP12C | CF/CM/CU48C | 1.03 | 1.16 | 0.97 |
| YPLC120C20MP12C | CF/CM/CU48D | 1.03 | 1.16 | 0.95 |
| YPLC120C20MP12C | CF/CM36D | 1.02 | 1.15 | 0.96 |
| YPLC120C20MP12C | CF/CM42D | 1.03 | 1.15 | 0.95 |
| YPLC120C20MP13C | CF/CM/CU36C | 1.02 | 1.15 | 0.96 |
| YPLC120C20MP13C | CF/CM/CU42C | 1.03 | 1.15 | 0.97 |
| YPLC120C20MP13C | CF/CM/CU48C | 1.03 | 1.16 | 0.97 |
| YPLC120C20MP13C | CF/CM/CU48D | 1.03 | 1.16 | 0.95 |
| YPLC120C20MP13C | CF/CM36D | 1.02 | 1.15 | 0.96 |
| YPLC120C20MP13C | CF/CM42D | 1.03 | 1.15 | 0.95 |

PERFORMANCE DATA - 3.5 TON

| CONDENSER-ONLY DATA (OUTDOOR UNIT) | | | | | | | | | | | | | | | | | | |
|------------------------------------|-----------------------------------|----------|-----------------------------|------|-------|------|-------|------|-------|------|-------|------|--------|------|--------|------|--------|------|
| MODEL | SATURATED SUCTION @ COMPRESSOR | | Outdoor Ambient Temperature | | | | | | | | | | | | | | | |
| | | | 55 °F | | 65 °F | | 75 °F | | 85 °F | | 95 °F | | 105 °F | | 115 °F | | 125 °F | |
| | T (°F) | P (PSIG) | MBH | KW | MBH | KW | MBH | KW | MBH | KW | MBH | KW | MBH | KW | MBH | KW | MBH | KW |
| TC4B4222S | 35 | 107 | 38.8 | 2.42 | 37.0 | 2.65 | 35.2 | 2.90 | 33.3 | 3.19 | 31.3 | 3.51 | 29.3 | 3.89 | 27.1 | 4.31 | 24.8 | 4.78 |
| | 40 | 118 | 42.7 | 2.41 | 40.8 | 2.64 | 38.8 | 2.89 | 36.7 | 3.18 | 34.5 | 3.50 | 32.3 | 3.88 | 29.9 | 4.30 | 27.4 | 4.77 |
| | 45 | 130 | 47.0 | 2.41 | 44.8 | 2.63 | 42.6 | 2.88 | 40.3 | 3.17 | 38.0 | 3.49 | 35.5 | 3.86 | 33.0 | 4.29 | 30.3 | 4.76 |
| | 50 | 142 | 51.6 | 2.40 | 49.2 | 2.62 | 46.8 | 2.87 | 44.3 | 3.15 | 41.7 | 3.47 | 39.0 | 3.85 | 36.3 | 4.28 | 33.4 | 4.74 |
| | 55 | 156 | 56.5 | 2.39 | 53.9 | 2.61 | 51.3 | 2.86 | 48.5 | 3.14 | 45.7 | 3.46 | 42.8 | 3.84 | 39.8 | 4.26 | 36.7 | 4.72 |

Notes:

- For Outdoor Unit (Condenser) performance only. Data does not include the effects of air handler power or heat.
- Performance based on 15°F subcooling and 15°F superheat at the Outdoor Unit base valves.
 - Increase capacity by 1% for each 2°F increase in subcooling.
 - Decrease capacity by 1% for each 2°F decrease in subcooling.
- Maximum recommended condensing temperature is 140°F.

| COOLING PERFORMANCE DATA | | | | | | | | | | | | | | | | | | | |
|--|------------|-----------|------|------|------|------|------|------|------|------|------|------|------|------|------|------|--|--|--|
| OUTDOOR UNIT MODEL NO. | | TC4B4222S | | | | | | | | | | | | | | | | | |
| INDOOR COIL MODEL NO. | | CF42CXA1 | | | | | | | | | | | | | | | | | |
| AIR TEMP. ENTERING OUTDOOR UNIT (°F) | AIR CFM | 1200 | | | | | | 1400 | | | | | | 1600 | | | | | |
| | ID DB (°F) | 80 | 80 | 75 | 80 | 80 | 80 | 80 | 75 | 80 | 80 | 80 | 80 | 75 | 80 | 80 | | | |
| | ID WB (°F) | 57 | 62 | 62 | 67 | 72 | 57 | 62 | 62 | 67 | 72 | 57 | 62 | 62 | 67 | 72 | | | |
| 55 | T.C. | 38.8 | 42.3 | 42.1 | 45.6 | 49.3 | 40.3 | 43.4 | 43.3 | 46.8 | 50.3 | 41.8 | 44.6 | 44.5 | 48.0 | 51.3 | | | |
| | S.C. | 38.7 | 35.1 | 29.7 | 29.1 | 22.7 | 40.1 | 37.6 | 31.5 | 30.7 | 23.5 | 41.6 | 40.0 | 33.2 | 32.3 | 24.4 | | | |
| | KW | 2.26 | 2.27 | 2.28 | 2.28 | 2.29 | 2.34 | 2.35 | 2.35 | 2.36 | 2.37 | 2.41 | 2.42 | 2.42 | 2.43 | 2.45 | | | |
| 65 | T.C. | 37.7 | 40.8 | 41.0 | 44.6 | 48.3 | 39.1 | 41.9 | 42.0 | 45.8 | 49.3 | 40.6 | 43.1 | 43.1 | 47.0 | 50.4 | | | |
| | S.C. | 37.6 | 34.5 | 29.2 | 28.9 | 22.7 | 39.0 | 37.0 | 31.1 | 30.6 | 23.7 | 40.4 | 39.5 | 32.9 | 32.3 | 24.7 | | | |
| | KW | 2.48 | 2.50 | 2.50 | 2.51 | 2.51 | 2.56 | 2.57 | 2.57 | 2.58 | 2.59 | 2.63 | 2.65 | 2.64 | 2.66 | 2.67 | | | |
| 75 | T.C. | 36.6 | 39.3 | 39.9 | 43.6 | 47.3 | 38.0 | 40.4 | 40.8 | 44.8 | 48.4 | 39.4 | 41.5 | 41.8 | 46.0 | 49.5 | | | |
| | S.C. | 36.5 | 33.8 | 28.8 | 28.6 | 22.7 | 37.9 | 36.4 | 30.7 | 30.5 | 23.8 | 39.3 | 38.9 | 32.5 | 32.3 | 24.9 | | | |
| | KW | 2.71 | 2.72 | 2.72 | 2.73 | 2.73 | 2.78 | 2.80 | 2.79 | 2.80 | 2.81 | 2.85 | 2.87 | 2.86 | 2.88 | 2.89 | | | |
| 85 | T.C. | 35.5 | 37.8 | 38.0 | 41.8 | 45.9 | 36.8 | 38.9 | 39.0 | 42.9 | 47.0 | 38.1 | 40.0 | 40.0 | 44.0 | 48.1 | | | |
| | S.C. | 35.4 | 33.2 | 28.0 | 27.9 | 21.8 | 36.6 | 35.7 | 29.9 | 29.8 | 23.0 | 37.9 | 38.3 | 31.8 | 31.7 | 24.2 | | | |
| | KW | 3.01 | 3.03 | 3.02 | 3.04 | 3.03 | 3.09 | 3.10 | 3.09 | 3.11 | 3.11 | 3.16 | 3.18 | 3.17 | 3.18 | 3.19 | | | |
| 95 | T.C. | 34.4 | 36.3 | 36.2 | 40.0 | 44.6 | 35.5 | 37.4 | 37.2 | 41.0 | 45.7 | 36.7 | 38.5 | 38.2 | 42.0 | 46.8 | | | |
| | S.C. | 34.2 | 32.6 | 27.3 | 27.3 | 20.9 | 35.4 | 35.1 | 29.2 | 29.2 | 22.2 | 36.6 | 37.6 | 31.1 | 31.1 | 23.5 | | | |
| | KW | 3.32 | 3.34 | 3.33 | 3.34 | 3.34 | 3.39 | 3.41 | 3.40 | 3.42 | 3.41 | 3.47 | 3.48 | 3.47 | 3.49 | 3.49 | | | |
| 105 | T.C. | 32.3 | 34.3 | 34.2 | 37.7 | 42.1 | 33.4 | 35.3 | 35.2 | 38.7 | 43.2 | 34.5 | 36.3 | 36.2 | 39.6 | 44.4 | | | |
| | S.C. | 32.2 | 31.5 | 26.3 | 26.4 | 20.2 | 33.3 | 33.5 | 28.0 | 28.3 | 21.3 | 34.4 | 35.6 | 29.8 | 30.2 | 22.5 | | | |
| | KW | 3.95 | 3.95 | 3.96 | 3.91 | 3.88 | 3.99 | 3.99 | 4.01 | 3.98 | 3.95 | 4.04 | 4.04 | 4.06 | 4.05 | 4.03 | | | |
| 115 | T.C. | 30.3 | 32.4 | 32.2 | 35.6 | 39.6 | 31.3 | 33.3 | 33.2 | 36.4 | 40.9 | 32.3 | 34.2 | 34.2 | 37.2 | 42.1 | | | |
| | S.C. | 30.1 | 30.3 | 25.3 | 25.6 | 19.5 | 31.2 | 32.0 | 26.9 | 27.4 | 20.5 | 32.2 | 33.6 | 28.6 | 29.3 | 21.5 | | | |
| | KW | 4.56 | 4.54 | 4.57 | 4.47 | 4.40 | 4.57 | 4.56 | 4.60 | 4.53 | 4.48 | 4.59 | 4.57 | 4.63 | 4.59 | 4.56 | | | |
| 125 | T.C. | 28.2 | 30.4 | 30.1 | 33.4 | 37.1 | 29.2 | 31.2 | 31.2 | 34.1 | 38.5 | 30.2 | 32.1 | 32.3 | 34.8 | 39.8 | | | |
| | S.C. | 28.1 | 29.2 | 24.3 | 24.7 | 18.8 | 29.1 | 30.4 | 25.9 | 26.6 | 19.7 | 30.0 | 31.7 | 27.4 | 28.4 | 20.5 | | | |
| | KW | 5.17 | 5.13 | 5.18 | 5.02 | 4.93 | 5.16 | 5.12 | 5.19 | 5.08 | 5.01 | 5.14 | 5.11 | 5.20 | 5.14 | 5.09 | | | |

ALL CAPACITIES INCLUDE INDOOR FAN HEAT. KW VALUES ARE FOR THE SYSTEM (OUTDOOR + INDOOR).

Green shaded cells are ACCA (TVA) conditions.

Blue shaded cells are AHRI conditions.

Multipliers for determining the performance with other indoor sections.

NOTE: For dry bulb temperatures different than those listed (between 73-87 °F), sensible capacity increases by 1060 BTUH per 1000 CFM per degree above the listed temperature and decreases by 1060 BTUH per 1000 CFM per degree below the listed temperature.

COIL MULTIPLIERS- 3.5 TON

| Air Handler | Coil | T.C. | S.C. | KW |
|-------------|-------------|------|------|------|
| - | CF/CM/CU42C | 1.00 | 1.00 | 1.00 |
| - | CF/CM/CU48C | 1.01 | 1.10 | 1.01 |
| - | CF/CM/CU48D | 1.01 | 1.10 | 1.01 |
| - | CF/CM/CU60C | 1.01 | 1.06 | 1.01 |
| - | CF/CM/CU60D | 1.01 | 1.08 | 1.01 |
| - | CF/CM42D | 1.00 | 1.11 | 1.00 |
| - | CF/CM64D | 1.02 | 1.06 | 1.00 |
| AE42CX21 | - | 1.01 | 1.09 | 0.97 |
| AE48CX21 | - | 1.01 | 1.04 | 0.95 |
| AE48DX21 | - | 1.02 | 1.03 | 0.96 |
| AE60CX21 | - | 1.02 | 1.02 | 0.96 |
| AE60CX22 | - | 1.01 | 1.02 | 0.95 |
| AP48CX21 | - | 1.01 | 1.07 | 1.01 |
| AP48DX21 | - | 1.01 | 1.13 | 1.01 |
| AVC42CX21 | - | 1.01 | 1.05 | 0.97 |
| AVC48CX21 | - | 1.01 | 1.04 | 0.95 |
| AVC48DX21 | - | 1.02 | 1.03 | 0.96 |
| AVC60DX21 | - | 1.02 | 1.01 | 0.96 |
| ME12BN21 | CF42B | 1.00 | 1.05 | 0.96 |
| ME12CN21 | CF/CM42C | 1.01 | 1.04 | 0.95 |
| ME12CN21 | CF/CM48C | 1.01 | 1.05 | 0.95 |
| ME12CN21 | CF/CM60C | 1.01 | 1.03 | 0.95 |
| ME14DN21 | CF/CM42D | 1.01 | 1.03 | 0.95 |
| ME14DN21 | CF/CM48D | 1.01 | 1.04 | 0.95 |
| ME14DN21 | CF/CM60D | 1.02 | 1.02 | 0.96 |
| ME14DN21 | CF/CM64D | 1.02 | 1.01 | 0.96 |
| ME16CN21 | CF/CM42C | 1.02 | 1.06 | 0.98 |
| ME16CN21 | CF/CM48C | 1.02 | 1.06 | 0.98 |
| ME16CN21 | CF/CM60C | 1.02 | 1.04 | 0.98 |
| ME20DN21 | CF/CM42D | 1.02 | 1.04 | 0.96 |
| ME20DN21 | CF/CM48D | 1.02 | 1.04 | 0.96 |
| ME20DN21 | CF/CM60D | 1.02 | 1.04 | 0.96 |
| ME20DN21 | CF/CM64D | 1.02 | 1.03 | 0.95 |
| MVC12BN21 | CF42B | 0.99 | 1.05 | 0.95 |
| MVC12CN21 | CF/CM42C | 1.01 | 1.03 | 0.95 |
| MVC12CN21 | CF/CM48C | 1.01 | 1.03 | 0.95 |
| MVC12CN21 | CF/CM60C | 1.01 | 1.01 | 0.95 |
| MVC14DN21 | CF/CM42D | 1.01 | 1.03 | 0.95 |
| MVC14DN21 | CF/CM48D | 1.01 | 1.03 | 0.95 |
| MVC14DN21 | CF/CM60D | 1.02 | 1.04 | 0.95 |
| MVC14DN21 | CF/CM64D | 1.02 | 1.03 | 0.95 |
| MVC16CN21 | CF/CM42C | 1.02 | 1.04 | 0.96 |
| MVC16CN21 | CF/CM48C | 1.02 | 1.04 | 0.96 |
| MVC16CN21 | CF/CM60C | 1.02 | 1.01 | 0.96 |
| MVC20DN21 | CF/CM42D | 1.02 | 1.04 | 0.96 |
| MVC20DN21 | CF/CM48D | 1.02 | 1.06 | 0.96 |
| MVC20DN21 | CF/CM60D | 1.02 | 1.04 | 0.95 |
| MVC20DN21 | CF/CM64D | 1.02 | 1.03 | 0.95 |

FURNACE MULTIPLIERS- 3.5 TON

| Furnaces | Coil | T.C. | S.C. | KW |
|----------------|-------------|------|------|------|
| TL8E080C16UH11 | CF/CM/CU42C | 1.01 | 1.08 | 0.97 |
| TL8E080C16UH11 | CF/CM/CU48C | 1.02 | 1.09 | 0.98 |
| TL8E080C16UH11 | CF/CM/CU48D | 1.02 | 1.11 | 0.98 |
| TL8E080C16UH11 | CF/CM/CU60C | 1.02 | 1.05 | 0.98 |
| TL8E080C16UH11 | CF/CM/CU60D | 1.02 | 1.08 | 0.98 |
| TL8E080C16UH11 | CF/CM42D | 1.01 | 1.07 | 0.97 |
| TL8E100C20UH11 | CF/CM/CU42C | 1.01 | 1.07 | 0.97 |
| TL8E100C20UH11 | CF/CM/CU48C | 1.02 | 1.08 | 0.98 |
| TL8E100C20UH11 | CF/CM/CU48D | 1.02 | 1.10 | 0.98 |
| TL8E100C20UH11 | CF/CM/CU60C | 1.01 | 1.06 | 0.97 |
| TL8E100C20UH11 | CF/CM/CU60D | 1.02 | 1.06 | 0.98 |
| TL8E100C20UH11 | CF/CM42D | 1.02 | 1.09 | 0.98 |
| TL9E080C16UH11 | CF/CM/CU42C | 1.01 | 1.07 | 0.99 |
| TL9E080C16UH11 | CF/CM/CU48C | 1.01 | 1.07 | 0.97 |
| TL9E080C16UH11 | CF/CM/CU48D | 1.02 | 1.09 | 1.00 |
| TL9E080C16UH11 | CF/CM/CU60C | 1.01 | 1.06 | 0.99 |
| TL9E080C16UH11 | CF/CM/CU60D | 1.01 | 1.05 | 0.99 |
| TL9E080C16UH11 | CF/CM42D | 1.01 | 1.08 | 0.99 |
| TL9E100C20UH11 | CF/CM/CU42C | 1.01 | 1.06 | 0.97 |
| TL9E100C20UH11 | CF/CM/CU48C | 1.01 | 1.07 | 0.97 |
| TL9E100C20UH11 | CF/CM/CU48D | 1.02 | 1.08 | 0.98 |
| TL9E100C20UH11 | CF/CM/CU60C | 1.01 | 1.05 | 0.97 |
| TL9E100C20UH11 | CF/CM/CU60D | 1.01 | 1.06 | 0.97 |
| TL9E100C20UH11 | CF/CM42D | 1.01 | 1.07 | 0.97 |
| TM8E080B12MP11 | CF/CM/CU42C | 1.00 | 1.06 | 1.00 |
| TM8E080B12MP11 | CF/CM/CU48C | 1.01 | 1.07 | 1.01 |
| TM8E080B12MP11 | CF/CM/CU60C | 1.01 | 1.05 | 1.01 |
| TM8E080C16MP11 | CF/CM/CU42C | 1.01 | 1.08 | 0.97 |
| TM8E080C16MP11 | CF/CM/CU48C | 1.02 | 1.09 | 0.98 |
| TM8E080C16MP11 | CF/CM/CU48D | 1.02 | 1.10 | 0.98 |
| TM8E080C16MP11 | CF/CM/CU60C | 1.02 | 1.05 | 0.98 |
| TM8E080C16MP11 | CF/CM/CU60D | 1.02 | 1.08 | 0.98 |
| TM8E080C16MP11 | CF/CM42D | 1.01 | 1.07 | 0.97 |
| TM8E080C20MP11 | CF/CM/CU42C | 1.01 | 1.07 | 0.97 |
| TM8E080C20MP11 | CF/CM/CU48C | 1.02 | 1.08 | 0.98 |
| TM8E080C20MP11 | CF/CM/CU48D | 1.02 | 1.10 | 0.98 |
| TM8E080C20MP11 | CF/CM/CU60C | 1.01 | 1.06 | 0.97 |
| TM8E080C20MP11 | CF/CM/CU60D | 1.02 | 1.06 | 0.98 |
| TM8E080C20MP11 | CF/CM42D | 1.02 | 1.09 | 0.98 |
| TM8E100B12MP11 | CF/CM/CU42C | 1.01 | 1.07 | 1.01 |
| TM8E100B12MP11 | CF/CM/CU48C | 1.01 | 1.07 | 0.99 |
| TM8E100B12MP11 | CF/CM/CU60C | 1.01 | 1.06 | 1.01 |
| TM8E100C16MP11 | CF/CM/CU42C | 1.01 | 1.08 | 0.97 |
| TM8E100C16MP11 | CF/CM/CU48C | 1.02 | 1.10 | 0.98 |
| TM8E100C16MP11 | CF/CM/CU48D | 1.02 | 1.10 | 0.98 |
| TM8E100C16MP11 | CF/CM/CU60C | 1.02 | 1.08 | 0.98 |
| TM8E100C16MP11 | CF/CM/CU60D | 1.02 | 1.09 | 0.98 |
| TM8E100C16MP11 | CF/CM42D | 1.02 | 1.11 | 0.98 |
| TM8E100C20MP11 | CF/CM/CU42C | 1.01 | 1.07 | 0.97 |
| TM8E100C20MP11 | CF/CM/CU48C | 1.02 | 1.08 | 0.98 |
| TM8E100C20MP11 | CF/CM/CU48D | 1.02 | 1.10 | 0.98 |
| TM8E100C20MP11 | CF/CM/CU60C | 1.01 | 1.06 | 0.97 |
| TM8E100C20MP11 | CF/CM/CU60D | 1.02 | 1.06 | 0.98 |
| TM8E100C20MP11 | CF/CM42D | 1.02 | 1.09 | 0.98 |
| TM8E120C16MP11 | CF/CM/CU42C | 1.01 | 1.08 | 0.97 |

FURNACE MULTIPLIERS- 3.5 TON (Continued)

| Furnaces | Coil | T.C. | S.C. | KW |
|-----------------|-------------|------|------|------|
| TM8E120C16MP11 | CF/CM/CU48C | 1.02 | 1.10 | 0.98 |
| TM8E120C16MP11 | CF/CM/CU48D | 1.02 | 1.10 | 0.98 |
| TM8E120C16MP11 | CF/CM/CU60C | 1.02 | 1.08 | 0.98 |
| TM8E120C16MP11 | CF/CM/CU60D | 1.02 | 1.09 | 0.98 |
| TM8E120C16MP11 | CF/CM42D | 1.02 | 1.10 | 0.98 |
| TM8E120C20MP11 | CF/CM/CU42C | 1.01 | 1.08 | 0.97 |
| TM8E120C20MP11 | CF/CM/CU48C | 1.02 | 1.10 | 0.98 |
| TM8E120C20MP11 | CF/CM/CU48D | 1.02 | 1.10 | 0.98 |
| TM8E120C20MP11 | CF/CM/CU60C | 1.02 | 1.06 | 0.98 |
| TM8E120C20MP11 | CF/CM/CU60D | 1.02 | 1.09 | 0.98 |
| TM8E120C20MP11 | CF/CM42D | 1.02 | 1.08 | 0.98 |
| TM8E130D20MP11 | CF/CM/CU48D | 1.02 | 1.10 | 0.98 |
| TM8E130D20MP11 | CF/CM/CU60D | 1.02 | 1.09 | 0.98 |
| TM8E130D20MP11 | CF/CM42D | 1.02 | 1.09 | 0.98 |
| TM8V060A12MP11C | CF42B | 0.99 | 1.05 | 0.99 |
| TM8V060A12MP12C | CF42B | 0.99 | 1.05 | 0.99 |
| TM8V080C16MP11C | CF/CM/CU42C | 1.00 | 1.03 | 0.96 |
| TM8V080C16MP11C | CF/CM/CU48C | 1.01 | 1.06 | 0.97 |
| TM8V080C16MP11C | CF/CM/CU48D | 1.01 | 1.06 | 0.97 |
| TM8V080C16MP11C | CF/CM/CU60C | 1.01 | 1.04 | 0.97 |
| TM8V080C16MP11C | CF/CM/CU60D | 1.01 | 1.05 | 0.97 |
| TM8V080C16MP11C | CF/CM42D | 1.00 | 1.04 | 0.96 |
| TM8V080C16MP11C | CF/CM64D | 1.02 | 1.05 | 0.96 |
| TM8V080C16MP12C | CF/CM/CU42C | 1.00 | 1.03 | 0.96 |
| TM8V080C16MP12C | CF/CM/CU48C | 1.01 | 1.06 | 0.97 |
| TM8V080C16MP12C | CF/CM/CU48D | 1.01 | 1.06 | 0.97 |
| TM8V080C16MP12C | CF/CM/CU60C | 1.01 | 1.04 | 0.97 |
| TM8V080C16MP12C | CF/CM/CU60D | 1.01 | 1.05 | 0.97 |
| TM8V080C16MP12C | CF/CM42D | 1.00 | 1.04 | 0.96 |
| TM8V080C16MP12C | CF/CM64D | 1.02 | 1.05 | 0.96 |
| TM8V100C16MP11C | CF/CM/CU42C | 1.00 | 1.03 | 0.96 |
| TM8V100C16MP11C | CF/CM/CU48C | 1.01 | 1.06 | 0.97 |
| TM8V100C16MP11C | CF/CM/CU48D | 1.01 | 1.06 | 0.97 |
| TM8V100C16MP11C | CF/CM/CU60C | 1.01 | 1.04 | 0.97 |
| TM8V100C16MP11C | CF/CM/CU60D | 1.01 | 1.05 | 0.97 |
| TM8V100C16MP11C | CF/CM42D | 1.00 | 1.04 | 0.96 |
| TM8V100C16MP11C | CF/CM64D | 1.02 | 1.05 | 0.96 |
| TM8V100C16MP12C | CF/CM/CU42C | 1.00 | 1.03 | 0.96 |
| TM8V100C16MP12C | CF/CM/CU48C | 1.01 | 1.06 | 0.97 |
| TM8V100C16MP12C | CF/CM/CU48D | 1.01 | 1.06 | 0.97 |
| TM8V100C16MP12C | CF/CM/CU60C | 1.01 | 1.04 | 0.97 |
| TM8V100C16MP12C | CF/CM/CU60D | 1.01 | 1.05 | 0.97 |
| TM8V100C16MP12C | CF/CM42D | 1.00 | 1.04 | 0.96 |
| TM8V100C16MP12C | CF/CM64D | 1.02 | 1.05 | 0.96 |
| TM8V100C20MP11C | CF/CM/CU42C | 1.01 | 1.06 | 0.97 |
| TM8V100C20MP11C | CF/CM/CU48C | 1.01 | 1.07 | 0.95 |
| TM8V100C20MP11C | CF/CM/CU48D | 1.01 | 1.07 | 0.95 |
| TM8V100C20MP11C | CF/CM/CU60C | 1.01 | 1.05 | 0.97 |
| TM8V100C20MP11C | CF/CM/CU60D | 1.02 | 1.07 | 0.96 |
| TM8V100C20MP11C | CF/CM42D | 1.02 | 1.11 | 0.96 |
| TM8V100C20MP11C | CF/CM64D | 1.02 | 1.07 | 0.96 |
| TM8V100C20MP12C | CF/CM/CU42C | 1.01 | 1.06 | 0.97 |
| TM8V100C20MP12C | CF/CM/CU48C | 1.01 | 1.07 | 0.95 |
| TM8V100C20MP12C | CF/CM/CU48D | 1.01 | 1.07 | 0.95 |
| TM8V100C20MP12C | CF/CM/CU60C | 1.01 | 1.05 | 0.97 |

FURNACE MULTIPLIERS- 3.5 TON (Continued)

| Furnaces | Coil | T.C. | S.C. | KW |
|-----------------|-------------|------|------|------|
| TM8V100C20MP12C | CF/CM/CU60D | 1.02 | 1.07 | 0.96 |
| TM8V100C20MP12C | CF/CM42D | 1.02 | 1.11 | 0.96 |
| TM8V100C20MP12C | CF/CM64D | 1.02 | 1.07 | 0.96 |
| TM8V120C20MP11C | CF/CM/CU42C | 1.01 | 1.06 | 0.97 |
| TM8V120C20MP11C | CF/CM/CU48C | 1.01 | 1.07 | 0.95 |
| TM8V120C20MP11C | CF/CM/CU48D | 1.01 | 1.07 | 0.95 |
| TM8V120C20MP11C | CF/CM/CU60C | 1.01 | 1.05 | 0.97 |
| TM8V120C20MP11C | CF/CM/CU60D | 1.02 | 1.07 | 0.96 |
| TM8V120C20MP11C | CF/CM42D | 1.02 | 1.11 | 0.96 |
| TM8V120C20MP11C | CF/CM64D | 1.02 | 1.07 | 0.96 |
| TM8V120C20MP12C | CF/CM/CU42C | 1.01 | 1.06 | 0.97 |
| TM8V120C20MP12C | CF/CM/CU48C | 1.01 | 1.07 | 0.95 |
| TM8V120C20MP12C | CF/CM/CU48D | 1.01 | 1.07 | 0.95 |
| TM8V120C20MP12C | CF/CM/CU60C | 1.01 | 1.05 | 0.97 |
| TM8V120C20MP12C | CF/CM/CU60D | 1.02 | 1.07 | 0.96 |
| TM8V120C20MP12C | CF/CM42D | 1.02 | 1.11 | 0.96 |
| TM8V120C20MP12C | CF/CM64D | 1.02 | 1.07 | 0.96 |
| TM8X080B12MP11 | CF/CM/CU42C | 0.99 | 1.03 | 0.97 |
| TM8X080B12MP11 | CF/CM/CU48C | 1.00 | 1.05 | 0.98 |
| TM8X080B12MP11 | CF/CM/CU60C | 1.00 | 1.03 | 0.98 |
| TM8X080C16MP11 | CF/CM/CU42C | 1.02 | 1.12 | 1.00 |
| TM8X080C16MP11 | CF/CM/CU48C | 1.02 | 1.14 | 0.98 |
| TM8X080C16MP11 | CF/CM/CU48D | 1.02 | 1.13 | 0.98 |
| TM8X080C16MP11 | CF/CM/CU60C | 1.02 | 1.09 | 0.98 |
| TM8X080C16MP11 | CF/CM/CU60D | 1.01 | 1.05 | 0.95 |
| TM8X080C16MP11 | CF/CM42D | 1.00 | 1.03 | 0.96 |
| TM8X080C16MP11 | CF/CM64D | 1.02 | 1.10 | 0.98 |
| TM8X100C16MP11 | CF/CM/CU42C | 1.02 | 1.12 | 1.00 |
| TM8X100C16MP11 | CF/CM/CU48C | 1.02 | 1.14 | 0.98 |
| TM8X100C16MP11 | CF/CM/CU48D | 1.02 | 1.13 | 0.98 |
| TM8X100C16MP11 | CF/CM/CU60C | 1.02 | 1.09 | 0.98 |
| TM8X100C16MP11 | CF/CM/CU60D | 1.01 | 1.05 | 0.95 |
| TM8X100C16MP11 | CF/CM42D | 1.00 | 1.03 | 0.96 |
| TM8X100C16MP11 | CF/CM64D | 1.02 | 1.10 | 0.98 |
| TM8X100C20MP11 | CF/CM/CU42C | 1.01 | 1.06 | 0.95 |
| TM8X100C20MP11 | CF/CM/CU48C | 1.01 | 1.07 | 0.95 |
| TM8X100C20MP11 | CF/CM/CU48D | 1.02 | 1.08 | 0.96 |
| TM8X100C20MP11 | CF/CM/CU60C | 1.01 | 1.05 | 0.97 |
| TM8X100C20MP11 | CF/CM/CU60D | 1.02 | 1.08 | 0.96 |
| TM8X100C20MP11 | CF/CM42D | 1.01 | 1.07 | 0.95 |
| TM8X100C20MP11 | CF/CM64D | 1.02 | 1.07 | 0.96 |
| TM8X120C20MP11 | CF/CM/CU42C | 1.01 | 1.06 | 0.95 |
| TM8X120C20MP11 | CF/CM/CU48C | 1.01 | 1.07 | 0.95 |
| TM8X120C20MP11 | CF/CM/CU48D | 1.02 | 1.08 | 0.96 |
| TM8X120C20MP11 | CF/CM/CU60C | 1.01 | 1.05 | 0.97 |
| TM8X120C20MP11 | CF/CM/CU60D | 1.02 | 1.08 | 0.96 |
| TM8X120C20MP11 | CF/CM42D | 1.01 | 1.07 | 0.95 |
| TM8X120C20MP11 | CF/CM64D | 1.02 | 1.07 | 0.96 |
| TM8Y080B12MP11 | CF/CM/CU42C | 0.99 | 1.03 | 0.97 |
| TM8Y080B12MP11 | CF/CM/CU48C | 1.00 | 1.05 | 0.98 |
| TM8Y080B12MP11 | CF/CM/CU60C | 1.00 | 1.03 | 0.98 |
| TM8Y080C16MP11 | CF/CM/CU42C | 1.02 | 1.12 | 1.00 |
| TM8Y080C16MP11 | CF/CM/CU48C | 1.02 | 1.14 | 0.98 |
| TM8Y080C16MP11 | CF/CM/CU48D | 1.02 | 1.13 | 0.98 |
| TM8Y080C16MP11 | CF/CM/CU60C | 1.02 | 1.09 | 0.98 |

FURNACE MULTIPLIERS- 3.5 TON (Continued)

| Furnaces | Coil | T.C. | S.C. | KW |
|----------------|-------------|------|------|------|
| TM8Y080C16MP11 | CF/CM/CU60D | 1.01 | 1.05 | 0.95 |
| TM8Y080C16MP11 | CF/CM42D | 1.00 | 1.03 | 0.96 |
| TM8Y080C16MP11 | CF/CM64D | 1.02 | 1.10 | 0.98 |
| TM8Y100C16MP11 | CF/CM/CU42C | 1.02 | 1.12 | 1.00 |
| TM8Y100C16MP11 | CF/CM/CU48C | 1.02 | 1.14 | 0.98 |
| TM8Y100C16MP11 | CF/CM/CU48D | 1.02 | 1.13 | 0.98 |
| TM8Y100C16MP11 | CF/CM/CU60C | 1.02 | 1.09 | 0.98 |
| TM8Y100C16MP11 | CF/CM/CU60D | 1.01 | 1.05 | 0.95 |
| TM8Y100C16MP11 | CF/CM42D | 1.00 | 1.03 | 0.96 |
| TM8Y100C16MP11 | CF/CM64D | 1.02 | 1.10 | 0.98 |
| TM8Y100C20MP11 | CF/CM/CU42C | 1.01 | 1.06 | 0.95 |
| TM8Y100C20MP11 | CF/CM/CU48C | 1.01 | 1.07 | 0.95 |
| TM8Y100C20MP11 | CF/CM/CU48D | 1.02 | 1.08 | 0.96 |
| TM8Y100C20MP11 | CF/CM/CU60C | 1.01 | 1.05 | 0.97 |
| TM8Y100C20MP11 | CF/CM/CU60D | 1.02 | 1.08 | 0.96 |
| TM8Y100C20MP11 | CF/CM42D | 1.01 | 1.07 | 0.95 |
| TM8Y100C20MP11 | CF/CM64D | 1.02 | 1.07 | 0.96 |
| TM8Y120C20MP11 | CF/CM/CU42C | 1.01 | 1.06 | 0.95 |
| TM8Y120C20MP11 | CF/CM/CU48C | 1.01 | 1.07 | 0.95 |
| TM8Y120C20MP11 | CF/CM/CU48D | 1.02 | 1.08 | 0.96 |
| TM8Y120C20MP11 | CF/CM/CU60C | 1.01 | 1.05 | 0.97 |
| TM8Y120C20MP11 | CF/CM/CU60D | 1.02 | 1.08 | 0.96 |
| TM8Y120C20MP11 | CF/CM42D | 1.01 | 1.07 | 0.95 |
| TM8Y120C20MP11 | CF/CM64D | 1.02 | 1.07 | 0.96 |
| TM9E060B12MP12 | CF/CM/CU48C | 0.99 | 1.05 | 0.99 |
| TM9E060B12MP12 | CF/CM/CU60C | 0.99 | 1.03 | 0.99 |
| TM9E080B12MP11 | CF/CM/CU42C | 0.99 | 1.03 | 0.97 |
| TM9E080B12MP11 | CF/CM/CU48C | 1.00 | 1.05 | 0.98 |
| TM9E080B12MP11 | CF/CM/CU60C | 1.00 | 1.02 | 0.98 |
| TM9E080B12MP12 | CF/CM/CU42C | 1.00 | 1.06 | 1.00 |
| TM9E080B12MP12 | CF/CM/CU48C | 1.01 | 1.07 | 1.01 |
| TM9E080B12MP12 | CF/CM/CU60C | 1.00 | 1.05 | 1.00 |
| TM9E080C16MP11 | CF/CM/CU42C | 1.01 | 1.07 | 0.99 |
| TM9E080C16MP11 | CF/CM/CU48C | 1.01 | 1.08 | 0.97 |
| TM9E080C16MP11 | CF/CM/CU48D | 1.01 | 1.08 | 0.97 |
| TM9E080C16MP11 | CF/CM/CU60C | 1.01 | 1.06 | 0.99 |
| TM9E080C16MP11 | CF/CM/CU60D | 1.02 | 1.09 | 0.98 |
| TM9E080C16MP11 | CF/CM42D | 1.01 | 1.08 | 0.99 |
| TM9E080C16MP11 | CF/CM64D | 1.02 | 1.08 | 0.98 |
| TM9E080C16MP12 | CF/CM/CU42C | 1.01 | 1.08 | 0.99 |
| TM9E080C16MP12 | CF/CM/CU48C | 1.01 | 1.08 | 0.97 |
| TM9E080C16MP12 | CF/CM/CU48D | 1.01 | 1.08 | 0.99 |
| TM9E080C16MP12 | CF/CM/CU60C | 1.01 | 1.05 | 0.97 |
| TM9E080C16MP12 | CF/CM/CU60D | 1.01 | 1.05 | 0.99 |
| TM9E080C16MP12 | CF/CM42D | 1.01 | 1.08 | 0.99 |
| TM9E080C20MP12 | CF/CM/CU42C | 1.01 | 1.06 | 0.97 |
| TM9E080C20MP12 | CF/CM/CU48C | 1.01 | 1.07 | 0.97 |
| TM9E080C20MP12 | CF/CM/CU48D | 1.02 | 1.08 | 0.98 |
| TM9E080C20MP12 | CF/CM/CU60C | 1.01 | 1.05 | 0.97 |
| TM9E080C20MP12 | CF/CM/CU60D | 1.01 | 1.06 | 0.97 |
| TM9E080C20MP12 | CF/CM42D | 1.01 | 1.07 | 0.97 |
| TM9E100C16MP11 | CF/CM/CU42C | 1.01 | 1.08 | 0.97 |
| TM9E100C16MP11 | CF/CM/CU48C | 1.01 | 1.08 | 0.97 |
| TM9E100C16MP11 | CF/CM/CU48D | 1.01 | 1.05 | 0.97 |
| TM9E100C16MP11 | CF/CM/CU60C | 1.01 | 1.05 | 0.97 |

FURNACE MULTIPLIERS- 3.5 TON (Continued)

| Furnaces | Coil | T.C. | S.C. | KW |
|-----------------|-------------|------|------|------|
| TM9E100C16MP11 | CF/CM/CU60D | 1.01 | 1.05 | 0.97 |
| TM9E100C16MP11 | CF/CM42D | 1.00 | 1.03 | 0.96 |
| TM9E100C16MP11 | CF/CM64D | 1.02 | 1.08 | 0.98 |
| TM9E100C16MP12 | CF/CM/CU42C | 1.01 | 1.08 | 0.97 |
| TM9E100C16MP12 | CF/CM/CU48C | 1.02 | 1.09 | 0.98 |
| TM9E100C16MP12 | CF/CM/CU48D | 1.02 | 1.10 | 1.00 |
| TM9E100C16MP12 | CF/CM/CU60C | 1.01 | 1.05 | 0.97 |
| TM9E100C16MP12 | CF/CM/CU60D | 1.02 | 1.08 | 1.00 |
| TM9E100C16MP12 | CF/CM42D | 1.01 | 1.08 | 0.99 |
| TM9E100C20MP11 | CF/CM/CU42C | 1.00 | 1.03 | 0.96 |
| TM9E100C20MP11 | CF/CM/CU48C | 1.01 | 1.05 | 0.97 |
| TM9E100C20MP11 | CF/CM/CU48D | 1.01 | 1.06 | 0.97 |
| TM9E100C20MP11 | CF/CM/CU60C | 1.00 | 1.02 | 0.96 |
| TM9E100C20MP11 | CF/CM/CU60D | 1.02 | 1.06 | 0.98 |
| TM9E100C20MP11 | CF/CM42D | 1.00 | 1.04 | 0.96 |
| TM9E100C20MP11 | CF/CM64D | 1.02 | 1.06 | 0.96 |
| TM9E100C20MP12 | CF/CM/CU42C | 1.01 | 1.06 | 0.97 |
| TM9E100C20MP12 | CF/CM/CU48C | 1.01 | 1.07 | 0.97 |
| TM9E100C20MP12 | CF/CM/CU48D | 1.01 | 1.07 | 0.97 |
| TM9E100C20MP12 | CF/CM/CU60C | 1.01 | 1.05 | 0.97 |
| TM9E100C20MP12 | CF/CM/CU60D | 1.01 | 1.06 | 0.97 |
| TM9E100C20MP12 | CF/CM42D | 1.01 | 1.06 | 0.97 |
| TM9E120D20MP11 | CF/CM/CU48D | 1.02 | 1.08 | 0.96 |
| TM9E120D20MP11 | CF/CM/CU60D | 1.02 | 1.08 | 0.96 |
| TM9E120D20MP11 | CF/CM42D | 1.01 | 1.07 | 0.97 |
| TM9E120D20MP11 | CF/CM64D | 1.02 | 1.08 | 0.96 |
| TM9E120D20MP12 | CF/CM/CU48D | 1.02 | 1.08 | 0.98 |
| TM9E120D20MP12 | CF/CM/CU60D | 1.01 | 1.06 | 0.97 |
| TM9E120D20MP12 | CF/CM42D | 1.01 | 1.07 | 0.97 |
| TM9V080B12MP11C | CF/CM/CU42C | 1.00 | 1.06 | 1.00 |
| TM9V080B12MP11C | CF/CM/CU48C | 1.01 | 1.07 | 0.99 |
| TM9V080B12MP11C | CF/CM/CU60C | 1.00 | 1.05 | 0.98 |
| TM9V080B12MP11C | CF42B | 0.99 | 1.02 | 0.99 |
| TM9V080B12MP12C | CF/CM/CU42C | 1.00 | 1.06 | 1.00 |
| TM9V080B12MP12C | CF/CM/CU48C | 1.01 | 1.07 | 0.99 |
| TM9V080B12MP12C | CF/CM/CU60C | 1.00 | 1.05 | 0.98 |
| TM9V080B12MP12C | CF42B | 0.99 | 1.02 | 0.99 |
| TM9V080C16MP11C | CF/CM/CU42C | 1.00 | 1.05 | 0.98 |
| TM9V080C16MP11C | CF/CM/CU48C | 1.01 | 1.07 | 0.97 |
| TM9V080C16MP11C | CF/CM/CU48D | 1.01 | 1.07 | 0.97 |
| TM9V080C16MP11C | CF/CM/CU60C | 1.00 | 1.03 | 0.98 |
| TM9V080C16MP11C | CF/CM/CU60D | 1.02 | 1.07 | 0.98 |
| TM9V080C16MP11C | CF/CM42D | 1.00 | 1.05 | 0.96 |
| TM9V080C16MP11C | CF/CM64D | 1.02 | 1.06 | 0.98 |
| TM9V080C16MP12C | CF/CM/CU42C | 1.00 | 1.05 | 0.98 |
| TM9V080C16MP12C | CF/CM/CU48C | 1.01 | 1.07 | 0.97 |
| TM9V080C16MP12C | CF/CM/CU48D | 1.01 | 1.07 | 0.97 |
| TM9V080C16MP12C | CF/CM/CU60C | 1.00 | 1.03 | 0.98 |
| TM9V080C16MP12C | CF/CM/CU60D | 1.02 | 1.07 | 0.98 |
| TM9V080C16MP12C | CF/CM42D | 1.00 | 1.05 | 0.96 |
| TM9V080C16MP12C | CF/CM64D | 1.02 | 1.06 | 0.98 |
| TM9V100C16MP11C | CF/CM/CU42C | 1.00 | 1.03 | 0.96 |
| TM9V100C16MP11C | CF/CM/CU48C | 1.01 | 1.05 | 0.97 |
| TM9V100C16MP11C | CF/CM/CU48D | 1.01 | 1.05 | 0.97 |
| TM9V100C16MP11C | CF/CM/CU60C | 1.01 | 1.05 | 0.97 |

FURNACE MULTIPLIERS- 3.5 TON (Continued)

| Furnaces | Coil | T.C. | S.C. | KW |
|-----------------|-------------|------|------|------|
| TM9V100C16MP11C | CF/CM/CU60D | 1.01 | 1.05 | 0.95 |
| TM9V100C16MP11C | CF/CM42D | 1.00 | 1.03 | 0.96 |
| TM9V100C16MP11C | CF/CM64D | 1.02 | 1.06 | 0.96 |
| TM9V100C16MP12C | CF/CM/CU42C | 1.00 | 1.03 | 0.96 |
| TM9V100C16MP12C | CF/CM/CU48C | 1.01 | 1.05 | 0.97 |
| TM9V100C16MP12C | CF/CM/CU48D | 1.01 | 1.05 | 0.97 |
| TM9V100C16MP12C | CF/CM/CU60C | 1.01 | 1.05 | 0.97 |
| TM9V100C16MP12C | CF/CM/CU60D | 1.01 | 1.05 | 0.95 |
| TM9V100C16MP12C | CF/CM42D | 1.00 | 1.03 | 0.96 |
| TM9V100C16MP12C | CF/CM64D | 1.02 | 1.06 | 0.96 |
| TM9V100C20MP11C | CF/CM/CU42C | 1.01 | 1.06 | 0.97 |
| TM9V100C20MP11C | CF/CM/CU48C | 1.01 | 1.07 | 0.97 |
| TM9V100C20MP11C | CF/CM/CU48D | 1.01 | 1.07 | 0.97 |
| TM9V100C20MP11C | CF/CM/CU60C | 1.01 | 1.05 | 0.97 |
| TM9V100C20MP11C | CF/CM/CU60D | 1.02 | 1.07 | 0.98 |
| TM9V100C20MP11C | CF/CM42D | 1.01 | 1.06 | 0.97 |
| TM9V100C20MP11C | CF/CM64D | 1.02 | 1.07 | 0.96 |
| TM9V100C20MP12C | CF/CM/CU42C | 1.01 | 1.06 | 0.97 |
| TM9V100C20MP12C | CF/CM/CU48C | 1.01 | 1.07 | 0.97 |
| TM9V100C20MP12C | CF/CM/CU48D | 1.01 | 1.07 | 0.97 |
| TM9V100C20MP12C | CF/CM/CU60C | 1.01 | 1.05 | 0.97 |
| TM9V100C20MP12C | CF/CM/CU60D | 1.02 | 1.07 | 0.98 |
| TM9V100C20MP12C | CF/CM42D | 1.01 | 1.06 | 0.97 |
| TM9V100C20MP12C | CF/CM64D | 1.02 | 1.07 | 0.96 |
| TM9V120D20MP11C | CF/CM/CU48D | 1.01 | 1.06 | 0.95 |
| TM9V120D20MP11C | CF/CM/CU60D | 1.02 | 1.08 | 0.96 |
| TM9V120D20MP11C | CF/CM42D | 1.01 | 1.05 | 0.95 |
| TM9V120D20MP11C | CF/CM64D | 1.02 | 1.06 | 0.96 |
| TM9V120D20MP12C | CF/CM/CU48D | 1.01 | 1.06 | 0.95 |
| TM9V120D20MP12C | CF/CM/CU60D | 1.02 | 1.08 | 0.96 |
| TM9V120D20MP12C | CF/CM42D | 1.01 | 1.05 | 0.95 |
| TM9V120D20MP12C | CF/CM64D | 1.02 | 1.06 | 0.96 |
| TM9Y080B12MP11 | CF/CM/CU42C | 0.99 | 1.03 | 0.97 |
| TM9Y080B12MP11 | CF/CM/CU48C | 1.00 | 1.05 | 0.98 |
| TM9Y080B12MP11 | CF/CM/CU60C | 1.00 | 1.02 | 0.98 |
| TM9Y080C16MP11 | CF/CM/CU42C | 1.01 | 1.07 | 0.99 |
| TM9Y080C16MP11 | CF/CM/CU48C | 1.01 | 1.08 | 0.97 |
| TM9Y080C16MP11 | CF/CM/CU48D | 1.01 | 1.08 | 0.97 |
| TM9Y080C16MP11 | CF/CM/CU60C | 1.01 | 1.06 | 0.99 |
| TM9Y080C16MP11 | CF/CM/CU60D | 1.02 | 1.09 | 0.98 |
| TM9Y080C16MP11 | CF/CM42D | 1.01 | 1.08 | 0.99 |
| TM9Y080C16MP11 | CF/CM64D | 1.02 | 1.08 | 0.98 |
| TM9Y100C16MP11 | CF/CM/CU42C | 1.01 | 1.08 | 0.97 |
| TM9Y100C16MP11 | CF/CM/CU48C | 1.01 | 1.08 | 0.97 |
| TM9Y100C16MP11 | CF/CM/CU48D | 1.01 | 1.05 | 0.97 |
| TM9Y100C16MP11 | CF/CM/CU60C | 1.01 | 1.05 | 0.97 |
| TM9Y100C16MP11 | CF/CM/CU60D | 1.01 | 1.05 | 0.97 |
| TM9Y100C16MP11 | CF/CM42D | 1.00 | 1.03 | 0.96 |
| TM9Y100C16MP11 | CF/CM64D | 1.02 | 1.08 | 0.98 |
| TM9Y100C20MP11 | CF/CM/CU42C | 1.00 | 1.03 | 0.96 |
| TM9Y100C20MP11 | CF/CM/CU48C | 1.01 | 1.05 | 0.97 |
| TM9Y100C20MP11 | CF/CM/CU48D | 1.01 | 1.06 | 0.97 |
| TM9Y100C20MP11 | CF/CM/CU60C | 1.00 | 1.02 | 0.96 |
| TM9Y100C20MP11 | CF/CM/CU60D | 1.02 | 1.06 | 0.98 |
| TM9Y100C20MP11 | CF/CM42D | 1.00 | 1.04 | 0.96 |

FURNACE MULTIPLIERS- 3.5 TON (Continued)

| Furnaces | Coil | T.C. | S.C. | KW |
|-----------------|-------------|------|------|------|
| TM9Y100C20MP11 | CF/CM64D | 1.02 | 1.06 | 0.96 |
| TM9Y120D20MP11 | CF/CM/CU48D | 1.02 | 1.08 | 0.96 |
| TM9Y120D20MP11 | CF/CM/CU60D | 1.02 | 1.08 | 0.96 |
| TM9Y120D20MP11 | CF/CM42D | 1.01 | 1.07 | 0.97 |
| TM9Y120D20MP11 | CF/CM64D | 1.02 | 1.08 | 0.96 |
| TMLV060A12MP11C | CF42B | 0.99 | 1.05 | 0.99 |
| TMLV060A12MP12C | CF42B | 0.99 | 1.05 | 0.99 |
| TMLV080C16MP11C | CF/CM/CU42C | 1.00 | 1.03 | 0.96 |
| TMLV080C16MP11C | CF/CM/CU48C | 1.01 | 1.06 | 0.97 |
| TMLV080C16MP11C | CF/CM/CU48D | 1.01 | 1.06 | 0.97 |
| TMLV080C16MP11C | CF/CM/CU60C | 1.01 | 1.04 | 0.97 |
| TMLV080C16MP11C | CF/CM/CU60D | 1.01 | 1.05 | 0.97 |
| TMLV080C16MP11C | CF/CM42D | 1.00 | 1.04 | 0.96 |
| TMLV080C16MP11C | CF/CM64D | 1.02 | 1.05 | 0.96 |
| TMLV080C16MP12C | CF/CM/CU42C | 1.00 | 1.03 | 0.96 |
| TMLV080C16MP12C | CF/CM/CU48C | 1.01 | 1.06 | 0.97 |
| TMLV080C16MP12C | CF/CM/CU48D | 1.01 | 1.06 | 0.97 |
| TMLV080C16MP12C | CF/CM/CU60C | 1.01 | 1.04 | 0.97 |
| TMLV080C16MP12C | CF/CM/CU60D | 1.01 | 1.05 | 0.97 |
| TMLV080C16MP12C | CF/CM42D | 1.00 | 1.04 | 0.96 |
| TMLV080C16MP12C | CF/CM64D | 1.02 | 1.05 | 0.96 |
| TMLV100C16MP11C | CF/CM/CU42C | 1.00 | 1.03 | 0.96 |
| TMLV100C16MP11C | CF/CM/CU48C | 1.01 | 1.06 | 0.97 |
| TMLV100C16MP11C | CF/CM/CU48D | 1.01 | 1.06 | 0.97 |
| TMLV100C16MP11C | CF/CM/CU60C | 1.01 | 1.04 | 0.97 |
| TMLV100C16MP11C | CF/CM/CU60D | 1.01 | 1.05 | 0.97 |
| TMLV100C16MP11C | CF/CM42D | 1.00 | 1.04 | 0.96 |
| TMLV100C16MP11C | CF/CM64D | 1.02 | 1.05 | 0.96 |
| TMLV100C16MP12C | CF/CM/CU42C | 1.00 | 1.03 | 0.96 |
| TMLV100C16MP12C | CF/CM/CU48C | 1.01 | 1.06 | 0.97 |
| TMLV100C16MP12C | CF/CM/CU48D | 1.01 | 1.06 | 0.97 |
| TMLV100C16MP12C | CF/CM/CU60C | 1.01 | 1.04 | 0.97 |
| TMLV100C16MP12C | CF/CM/CU60D | 1.01 | 1.05 | 0.97 |
| TMLV100C16MP12C | CF/CM42D | 1.00 | 1.04 | 0.96 |
| TMLV100C16MP12C | CF/CM64D | 1.02 | 1.05 | 0.96 |
| TMLV100C20MP11C | CF/CM/CU42C | 1.01 | 1.06 | 0.97 |
| TMLV100C20MP11C | CF/CM/CU48C | 1.01 | 1.07 | 0.95 |
| TMLV100C20MP11C | CF/CM/CU48D | 1.01 | 1.07 | 0.95 |
| TMLV100C20MP11C | CF/CM/CU60C | 1.01 | 1.05 | 0.97 |
| TMLV100C20MP11C | CF/CM/CU60D | 1.02 | 1.07 | 0.96 |
| TMLV100C20MP11C | CF/CM42D | 1.02 | 1.11 | 0.96 |
| TMLV100C20MP11C | CF/CM64D | 1.02 | 1.07 | 0.96 |
| TMLV100C20MP12C | CF/CM/CU42C | 1.01 | 1.06 | 0.97 |
| TMLV100C20MP12C | CF/CM/CU48C | 1.01 | 1.07 | 0.95 |
| TMLV100C20MP12C | CF/CM/CU48D | 1.01 | 1.07 | 0.95 |
| TMLV100C20MP12C | CF/CM/CU60C | 1.01 | 1.05 | 0.97 |
| TMLV100C20MP12C | CF/CM/CU60D | 1.02 | 1.07 | 0.96 |
| TMLV100C20MP12C | CF/CM42D | 1.02 | 1.11 | 0.96 |
| TMLV100C20MP12C | CF/CM64D | 1.02 | 1.07 | 0.96 |
| TMLV120C20MP11C | CF/CM/CU42C | 1.01 | 1.06 | 0.97 |
| TMLV120C20MP11C | CF/CM/CU48C | 1.01 | 1.07 | 0.95 |
| TMLV120C20MP11C | CF/CM/CU48D | 1.01 | 1.07 | 0.95 |
| TMLV120C20MP11C | CF/CM/CU60C | 1.01 | 1.05 | 0.97 |
| TMLV120C20MP11C | CF/CM/CU60D | 1.02 | 1.07 | 0.96 |
| TMLV120C20MP11C | CF/CM42D | 1.02 | 1.11 | 0.96 |

FURNACE MULTIPLIERS- 3.5 TON (Continued)

| Furnaces | Coil | T.C. | S.C. | KW |
|-----------------|-------------|------|------|------|
| TPLC100C16MP12C | CF/CM/CU60D | 1.01 | 1.05 | 0.97 |
| TPLC100C16MP12C | CF/CM42D | 1.00 | 1.04 | 0.96 |
| TPLC100C16MP12C | CF/CM64D | 1.02 | 1.05 | 0.96 |
| TPLC100C16MP13C | CF/CM/CU42C | 1.00 | 1.03 | 0.96 |
| TPLC100C16MP13C | CF/CM/CU48C | 1.01 | 1.06 | 0.97 |
| TPLC100C16MP13C | CF/CM/CU48D | 1.01 | 1.06 | 0.97 |
| TPLC100C16MP13C | CF/CM/CU60C | 1.01 | 1.04 | 0.97 |
| TPLC100C16MP13C | CF/CM/CU60D | 1.01 | 1.05 | 0.97 |
| TPLC100C16MP13C | CF/CM42D | 1.00 | 1.04 | 0.96 |
| TPLC100C16MP13C | CF/CM64D | 1.02 | 1.05 | 0.96 |
| TPLC100C20MP12C | CF/CM/CU42C | 1.01 | 1.06 | 0.97 |
| TPLC100C20MP12C | CF/CM/CU48C | 1.01 | 1.07 | 0.95 |
| TPLC100C20MP12C | CF/CM/CU48D | 1.01 | 1.07 | 0.95 |
| TPLC100C20MP12C | CF/CM/CU60C | 1.01 | 1.05 | 0.97 |
| TPLC100C20MP12C | CF/CM/CU60D | 1.02 | 1.07 | 0.96 |
| TPLC100C20MP12C | CF/CM42D | 1.02 | 1.11 | 0.96 |
| TPLC100C20MP12C | CF/CM64D | 1.02 | 1.07 | 0.96 |
| TPLC100C20MP13C | CF/CM/CU42C | 1.01 | 1.06 | 0.97 |
| TPLC100C20MP13C | CF/CM/CU48C | 1.01 | 1.07 | 0.95 |
| TPLC100C20MP13C | CF/CM/CU48D | 1.01 | 1.07 | 0.95 |
| TPLC100C20MP13C | CF/CM/CU60C | 1.01 | 1.05 | 0.97 |
| TPLC100C20MP13C | CF/CM/CU60D | 1.02 | 1.07 | 0.96 |
| TPLC100C20MP13C | CF/CM42D | 1.02 | 1.11 | 0.96 |
| TPLC100C20MP13C | CF/CM64D | 1.02 | 1.07 | 0.96 |
| TPLC120C20MP12C | CF/CM/CU42C | 1.01 | 1.06 | 0.97 |
| TPLC120C20MP12C | CF/CM/CU48C | 1.01 | 1.07 | 0.95 |
| TPLC120C20MP12C | CF/CM/CU48D | 1.01 | 1.07 | 0.95 |
| TPLC120C20MP12C | CF/CM/CU60C | 1.01 | 1.05 | 0.97 |
| TPLC120C20MP12C | CF/CM/CU60D | 1.02 | 1.07 | 0.96 |
| TPLC120C20MP12C | CF/CM42D | 1.02 | 1.11 | 0.96 |
| TPLC120C20MP12C | CF/CM64D | 1.02 | 1.07 | 0.96 |
| TPLC120C20MP13C | CF/CM/CU42C | 1.01 | 1.06 | 0.97 |
| TPLC120C20MP13C | CF/CM/CU48C | 1.01 | 1.07 | 0.95 |
| TPLC120C20MP13C | CF/CM/CU48D | 1.01 | 1.07 | 0.95 |
| TPLC120C20MP13C | CF/CM/CU60C | 1.01 | 1.05 | 0.97 |
| TPLC120C20MP13C | CF/CM/CU60D | 1.02 | 1.07 | 0.96 |
| TPLC120C20MP13C | CF/CM42D | 1.02 | 1.11 | 0.96 |
| TPLC120C20MP13C | CF/CM64D | 1.02 | 1.07 | 0.96 |
| YP9C080B12MP12C | CF/CM/CU42C | 1.00 | 1.06 | 1.00 |
| YP9C080B12MP12C | CF/CM/CU48C | 1.01 | 1.07 | 0.99 |
| YP9C080B12MP12C | CF/CM/CU60C | 1.00 | 1.05 | 0.98 |
| YP9C080B12MP12C | CF42B | 0.99 | 1.02 | 0.99 |
| YP9C080B12MP13C | CF/CM/CU42C | 1.00 | 1.06 | 1.00 |
| YP9C080B12MP13C | CF/CM/CU48C | 1.01 | 1.07 | 0.99 |
| YP9C080B12MP13C | CF/CM/CU60C | 1.00 | 1.05 | 0.98 |
| YP9C080B12MP13C | CF42B | 0.99 | 1.02 | 0.99 |
| YP9C080C16MP13C | CF/CM/CU42C | 1.00 | 1.05 | 0.98 |
| YP9C080C16MP13C | CF/CM/CU48C | 1.01 | 1.07 | 0.97 |
| YP9C080C16MP13C | CF/CM/CU48D | 1.01 | 1.07 | 0.97 |
| YP9C080C16MP13C | CF/CM/CU60C | 1.00 | 1.03 | 0.98 |
| YP9C080C16MP13C | CF/CM/CU60D | 1.02 | 1.07 | 0.98 |
| YP9C080C16MP13C | CF/CM42D | 1.00 | 1.05 | 0.96 |
| YP9C080C16MP13C | CF/CM64D | 1.02 | 1.06 | 0.98 |
| YP9C100C16MP12C | CF/CM/CU42C | 1.00 | 1.03 | 0.96 |
| YP9C100C16MP12C | CF/CM/CU48C | 1.01 | 1.05 | 0.97 |

FURNACE MULTIPLIERS- 3.5 TON (Continued)

| Furnaces | Coil | T.C. | S.C. | KW |
|-----------------|-------------|------|------|------|
| YP9C100C16MP12C | CF/CM/CU48D | 1.01 | 1.05 | 0.97 |
| YP9C100C16MP12C | CF/CM/CU60C | 1.01 | 1.05 | 0.97 |
| YP9C100C16MP12C | CF/CM/CU60D | 1.01 | 1.05 | 0.95 |
| YP9C100C16MP12C | CF/CM42D | 1.00 | 1.03 | 0.96 |
| YP9C100C16MP12C | CF/CM64D | 1.02 | 1.06 | 0.96 |
| YP9C100C16MP13C | CF/CM/CU42C | 1.00 | 1.03 | 0.96 |
| YP9C100C16MP13C | CF/CM/CU48C | 1.01 | 1.05 | 0.97 |
| YP9C100C16MP13C | CF/CM/CU48D | 1.01 | 1.05 | 0.97 |
| YP9C100C16MP13C | CF/CM/CU60C | 1.01 | 1.05 | 0.97 |
| YP9C100C16MP13C | CF/CM/CU60D | 1.01 | 1.05 | 0.95 |
| YP9C100C16MP13C | CF/CM42D | 1.00 | 1.03 | 0.96 |
| YP9C100C16MP13C | CF/CM64D | 1.02 | 1.06 | 0.96 |
| YP9C100C20MP12C | CF/CM/CU42C | 1.01 | 1.06 | 0.97 |
| YP9C100C20MP12C | CF/CM/CU48C | 1.01 | 1.07 | 0.97 |
| YP9C100C20MP12C | CF/CM/CU48D | 1.01 | 1.07 | 0.97 |
| YP9C100C20MP12C | CF/CM/CU60C | 1.01 | 1.05 | 0.97 |
| YP9C100C20MP12C | CF/CM/CU60D | 1.02 | 1.07 | 0.98 |
| YP9C100C20MP12C | CF/CM42D | 1.01 | 1.06 | 0.97 |
| YP9C100C20MP12C | CF/CM64D | 1.02 | 1.07 | 0.96 |
| YP9C100C20MP13C | CF/CM/CU42C | 1.01 | 1.06 | 0.97 |
| YP9C100C20MP13C | CF/CM/CU48C | 1.01 | 1.07 | 0.97 |
| YP9C100C20MP13C | CF/CM/CU48D | 1.01 | 1.07 | 0.97 |
| YP9C100C20MP13C | CF/CM/CU60C | 1.01 | 1.05 | 0.97 |
| YP9C100C20MP13C | CF/CM/CU60D | 1.02 | 1.07 | 0.98 |
| YP9C100C20MP13C | CF/CM42D | 1.01 | 1.06 | 0.97 |
| YP9C100C20MP13C | CF/CM64D | 1.02 | 1.07 | 0.96 |
| YP9C120D20MP12C | CF/CM/CU48D | 1.01 | 1.06 | 0.95 |
| YP9C120D20MP12C | CF/CM/CU60D | 1.02 | 1.08 | 0.96 |
| YP9C120D20MP12C | CF/CM42D | 1.01 | 1.05 | 0.95 |
| YP9C120D20MP12C | CF/CM64D | 1.02 | 1.06 | 0.96 |
| YP9C120D20MP13C | CF/CM/CU48D | 1.01 | 1.06 | 0.95 |
| YP9C120D20MP13C | CF/CM/CU60D | 1.02 | 1.08 | 0.96 |
| YP9C120D20MP13C | CF/CM42D | 1.01 | 1.05 | 0.95 |
| YP9C120D20MP13C | CF/CM64D | 1.02 | 1.06 | 0.96 |
| YPLC060A12MP12C | CF42B | 0.99 | 1.05 | 0.99 |
| YPLC060A12MP13C | CF42B | 0.99 | 1.05 | 0.99 |
| YPLC080C16MP12C | CF/CM/CU42C | 1.00 | 1.03 | 0.96 |
| YPLC080C16MP12C | CF/CM/CU48C | 1.01 | 1.06 | 0.97 |
| YPLC080C16MP12C | CF/CM/CU48D | 1.01 | 1.06 | 0.97 |
| YPLC080C16MP12C | CF/CM/CU60C | 1.01 | 1.04 | 0.97 |
| YPLC080C16MP12C | CF/CM/CU60D | 1.01 | 1.05 | 0.97 |
| YPLC080C16MP12C | CF/CM42D | 1.00 | 1.04 | 0.96 |
| YPLC080C16MP12C | CF/CM64D | 1.02 | 1.05 | 0.96 |
| YPLC080C16MP13C | CF/CM/CU42C | 1.00 | 1.03 | 0.96 |
| YPLC080C16MP13C | CF/CM/CU48C | 1.01 | 1.06 | 0.97 |
| YPLC080C16MP13C | CF/CM/CU48D | 1.01 | 1.06 | 0.97 |
| YPLC080C16MP13C | CF/CM/CU60C | 1.01 | 1.04 | 0.97 |
| YPLC080C16MP13C | CF/CM/CU60D | 1.01 | 1.05 | 0.97 |
| YPLC080C16MP13C | CF/CM42D | 1.00 | 1.04 | 0.96 |
| YPLC080C16MP13C | CF/CM64D | 1.02 | 1.05 | 0.96 |
| YPLC100C16MP12C | CF/CM/CU42C | 1.00 | 1.03 | 0.96 |
| YPLC100C16MP12C | CF/CM/CU48C | 1.01 | 1.06 | 0.97 |
| YPLC100C16MP12C | CF/CM/CU48D | 1.01 | 1.06 | 0.97 |
| YPLC100C16MP12C | CF/CM/CU60C | 1.01 | 1.04 | 0.97 |
| YPLC100C16MP12C | CF/CM/CU60D | 1.01 | 1.05 | 0.97 |

FURNACE MULTIPLIERS- 3.5 TON (Continued)

| Furnaces | Coil | T.C. | S.C. | KW |
|-----------------|-------------|------|------|------|
| YPLC100C16MP12C | CF/CM42D | 1.00 | 1.04 | 0.96 |
| YPLC100C16MP12C | CF/CM64D | 1.02 | 1.05 | 0.96 |
| YPLC100C16MP13C | CF/CM/CU42C | 1.00 | 1.03 | 0.96 |
| YPLC100C16MP13C | CF/CM/CU48C | 1.01 | 1.06 | 0.97 |
| YPLC100C16MP13C | CF/CM/CU48D | 1.01 | 1.06 | 0.97 |
| YPLC100C16MP13C | CF/CM/CU60C | 1.01 | 1.04 | 0.97 |
| YPLC100C16MP13C | CF/CM/CU60D | 1.01 | 1.05 | 0.97 |
| YPLC100C16MP13C | CF/CM42D | 1.00 | 1.04 | 0.96 |
| YPLC100C16MP13C | CF/CM64D | 1.02 | 1.05 | 0.96 |
| YPLC100C20MP12C | CF/CM/CU42C | 1.01 | 1.06 | 0.97 |
| YPLC100C20MP12C | CF/CM/CU48C | 1.01 | 1.07 | 0.95 |
| YPLC100C20MP12C | CF/CM/CU48D | 1.01 | 1.07 | 0.95 |
| YPLC100C20MP12C | CF/CM/CU60C | 1.01 | 1.05 | 0.97 |
| YPLC100C20MP12C | CF/CM/CU60D | 1.02 | 1.07 | 0.96 |
| YPLC100C20MP12C | CF/CM42D | 1.02 | 1.11 | 0.96 |
| YPLC100C20MP12C | CF/CM64D | 1.02 | 1.07 | 0.96 |
| YPLC100C20MP13C | CF/CM/CU42C | 1.01 | 1.06 | 0.97 |
| YPLC100C20MP13C | CF/CM/CU48C | 1.01 | 1.07 | 0.95 |
| YPLC100C20MP13C | CF/CM/CU48D | 1.01 | 1.07 | 0.95 |
| YPLC100C20MP13C | CF/CM/CU60C | 1.01 | 1.05 | 0.97 |
| YPLC100C20MP13C | CF/CM/CU60D | 1.02 | 1.07 | 0.96 |
| YPLC100C20MP13C | CF/CM42D | 1.02 | 1.11 | 0.96 |
| YPLC100C20MP13C | CF/CM64D | 1.02 | 1.07 | 0.96 |
| YPLC100C20MP13C | CF/CM/CU42C | 1.01 | 1.06 | 0.97 |
| YPLC100C20MP13C | CF/CM/CU48C | 1.01 | 1.07 | 0.95 |
| YPLC100C20MP13C | CF/CM/CU48D | 1.01 | 1.07 | 0.95 |
| YPLC100C20MP13C | CF/CM/CU60C | 1.01 | 1.05 | 0.97 |

FURNACE MULTIPLIERS- 3.5 TON (Continued)

| Furnaces | Coil | T.C. | S.C. | KW |
|-----------------|-------------|------|------|------|
| YPLC100C20MP13C | CF/CM/CU60D | 1.02 | 1.07 | 0.96 |
| YPLC100C20MP13C | CF/CM42D | 1.02 | 1.11 | 0.96 |
| YPLC100C20MP13C | CF/CM64D | 1.02 | 1.07 | 0.96 |
| YPLC120C20MP12C | CF/CM/CU42C | 1.01 | 1.06 | 0.97 |
| YPLC120C20MP12C | CF/CM/CU48C | 1.01 | 1.07 | 0.95 |
| YPLC120C20MP12C | CF/CM/CU48D | 1.01 | 1.07 | 0.95 |
| YPLC120C20MP12C | CF/CM/CU60C | 1.01 | 1.05 | 0.97 |
| YPLC120C20MP12C | CF/CM/CU60D | 1.02 | 1.07 | 0.96 |
| YPLC120C20MP12C | CF/CM42D | 1.02 | 1.11 | 0.96 |
| YPLC120C20MP12C | CF/CM64D | 1.02 | 1.07 | 0.96 |
| YPLC120C20MP13C | CF/CM/CU42C | 1.01 | 1.06 | 0.97 |
| YPLC120C20MP13C | CF/CM/CU48C | 1.01 | 1.07 | 0.95 |
| YPLC120C20MP13C | CF/CM/CU48D | 1.01 | 1.07 | 0.95 |
| YPLC120C20MP13C | CF/CM/CU60C | 1.01 | 1.05 | 0.97 |
| YPLC120C20MP13C | CF/CM/CU60D | 1.02 | 1.07 | 0.96 |
| YPLC120C20MP13C | CF/CM42D | 1.02 | 1.11 | 0.96 |
| YPLC120C20MP13C | CF/CM64D | 1.02 | 1.07 | 0.96 |

PERFORMANCE DATA - 4 TON

| CONDENSER-ONLY DATA (OUTDOOR UNIT) | | | | | | | | | | | | | | | | | | |
|------------------------------------|-----------------------------------|----------|-----------------------------|------|-------|------|-------|------|-------|------|-------|------|--------|------|--------|------|--------|------|
| MODEL | SATURATED SUCTION @ COMPRESSOR | | Outdoor Ambient Temperature | | | | | | | | | | | | | | | |
| | | | 55 °F | | 65 °F | | 75 °F | | 85 °F | | 95 °F | | 105 °F | | 115 °F | | 125 °F | |
| | T (°F) | P (PSIG) | MBH | KW | MBH | KW | MBH | KW | MBH | KW | MBH | KW | MBH | KW | MBH | KW | MBH | KW |
| TC4B4821S | 35 | 107 | 47.8 | 2.16 | 45.5 | 2.42 | 43.2 | 2.72 | 40.8 | 3.05 | 38.3 | 3.44 | 35.7 | 3.90 | 32.8 | 4.41 | 29.8 | 4.99 |
| | 40 | 118 | 52.5 | 2.16 | 50.0 | 2.42 | 47.5 | 2.71 | 44.9 | 3.05 | 42.3 | 3.43 | 39.4 | 3.89 | 36.4 | 4.40 | 33.1 | 4.98 |
| | 45 | 130 | 57.6 | 2.17 | 54.8 | 2.42 | 52.1 | 2.71 | 49.4 | 3.04 | 46.5 | 3.42 | 43.4 | 3.88 | 40.2 | 4.40 | 36.7 | 4.96 |
| | 50 | 142 | 63.0 | 2.18 | 60.0 | 2.43 | 57.0 | 2.72 | 54.0 | 3.06 | 50.9 | 3.42 | 47.7 | 3.87 | 44.1 | 4.39 | 40.5 | 4.94 |
| | 55 | 156 | 68.7 | 2.19 | 65.4 | 2.44 | 62.2 | 2.73 | 58.9 | 3.07 | 55.6 | 3.44 | 52.2 | 3.88 | 48.4 | 4.39 | 44.5 | 4.93 |

Notes:

- For Outdoor Unit (Condenser) performance only. Data does not include the effects of air handler power or heat.
- Performance based on 15°F subcooling and 15°F superheat at the Outdoor Unit base valves.
 - Increase capacity by 1% for each 2°F increase in subcooling.
 - Decrease capacity by 1% for each 2°F decrease in subcooling.
- Maximum recommended condensing temperature is 140°F.

| COOLING PERFORMANCE DATA | | | | | | | | | | | | | | | | |
|--|------------|-----------|------|------|------|------|------|------|------|------|------|------|------|------|------|------|
| OUTDOOR UNIT MODEL NO. | | TC4B4821S | | | | | | | | | | | | | | |
| INDOOR COIL MODEL NO. | | CF48CXA1 | | | | | | | | | | | | | | |
| AIR TEMP. ENTERING OUTDOOR UNIT (°F) | ID CFM | 1400 | | | | | 1600 | | | | | 1800 | | | | |
| | ID DB (°F) | 80 | 80 | 75 | 80 | 80 | 80 | 80 | 75 | 80 | 80 | 80 | 80 | 75 | 80 | 80 |
| | ID WB (°F) | 57 | 62 | 62 | 67 | 72 | 57 | 62 | 62 | 67 | 72 | 57 | 62 | 62 | 67 | 72 |
| 55 | T.C. | 44.9 | 47.6 | 47.5 | 49.3 | 49.9 | 45.1 | 47.8 | 47.5 | 49.4 | 49.9 | 45.3 | 48.0 | 47.6 | 49.5 | 49.9 |
| | S.C. | 44.1 | 37.8 | 32.4 | 30.3 | 23.1 | 44.5 | 38.9 | 33.1 | 30.8 | 23.3 | 44.9 | 39.9 | 33.9 | 31.3 | 23.5 |
| | KW | 2.62 | 2.66 | 2.66 | 2.68 | 2.70 | 2.70 | 2.74 | 2.74 | 2.76 | 2.78 | 2.77 | 2.81 | 2.81 | 2.84 | 2.86 |
| 65 | T.C. | 44.6 | 47.3 | 47.0 | 49.6 | 50.9 | 45.4 | 47.6 | 47.4 | 49.9 | 51.0 | 46.2 | 48.0 | 47.7 | 50.1 | 51.1 |
| | S.C. | 43.9 | 39.2 | 33.1 | 31.4 | 23.8 | 44.8 | 40.6 | 34.3 | 32.2 | 24.1 | 45.6 | 42.1 | 35.5 | 33.1 | 24.5 |
| | KW | 2.89 | 2.92 | 2.92 | 2.95 | 2.97 | 2.97 | 3.00 | 3.00 | 3.03 | 3.05 | 3.05 | 3.07 | 3.07 | 3.10 | 3.13 |
| 75 | T.C. | 44.4 | 46.9 | 46.6 | 49.9 | 51.9 | 45.7 | 47.4 | 47.2 | 50.3 | 52.1 | 47.1 | 47.9 | 47.8 | 50.7 | 52.3 |
| | S.C. | 43.8 | 40.5 | 33.9 | 32.5 | 24.5 | 45.1 | 42.4 | 35.5 | 33.7 | 25.0 | 46.4 | 44.3 | 37.2 | 34.8 | 25.4 |
| | KW | 3.17 | 3.18 | 3.18 | 3.22 | 3.23 | 3.24 | 3.26 | 3.26 | 3.29 | 3.31 | 3.32 | 3.33 | 3.33 | 3.36 | 3.39 |
| 85 | T.C. | 42.6 | 44.8 | 44.6 | 48.4 | 51.2 | 44.0 | 45.5 | 45.3 | 48.9 | 51.5 | 45.5 | 46.2 | 46.0 | 49.4 | 51.8 |
| | S.C. | 42.0 | 39.2 | 32.9 | 32.3 | 24.6 | 43.4 | 41.4 | 34.8 | 33.9 | 25.3 | 44.8 | 43.7 | 36.7 | 35.5 | 26.1 |
| | KW | 3.56 | 3.59 | 3.57 | 3.59 | 3.61 | 3.63 | 3.66 | 3.64 | 3.67 | 3.68 | 3.70 | 3.73 | 3.71 | 3.74 | 3.76 |
| 95 | T.C. | 40.8 | 42.7 | 42.6 | 46.9 | 50.4 | 42.3 | 43.5 | 43.4 | 47.5 | 50.9 | 43.9 | 44.4 | 44.2 | 48.1 | 51.3 |
| | S.C. | 40.2 | 37.8 | 32.0 | 32.2 | 24.7 | 41.7 | 40.5 | 34.1 | 34.2 | 25.7 | 43.3 | 43.2 | 36.2 | 36.2 | 26.7 |
| | KW | 3.96 | 3.99 | 3.96 | 3.97 | 3.98 | 4.02 | 4.05 | 4.03 | 4.04 | 4.05 | 4.08 | 4.12 | 4.10 | 4.12 | 4.13 |
| 105 | T.C. | 38.9 | 40.2 | 40.1 | 44.1 | 47.8 | 40.3 | 41.1 | 40.8 | 44.6 | 48.2 | 41.7 | 42.0 | 41.5 | 45.2 | 48.7 |
| | S.C. | 38.5 | 36.6 | 30.9 | 31.0 | 23.8 | 39.8 | 38.9 | 32.9 | 33.0 | 24.8 | 41.2 | 41.2 | 35.0 | 35.0 | 25.8 |
| | KW | 4.68 | 4.73 | 4.73 | 4.68 | 4.64 | 4.73 | 4.77 | 4.79 | 4.74 | 4.71 | 4.78 | 4.82 | 4.84 | 4.80 | 4.78 |
| 115 | T.C. | 37.2 | 37.8 | 37.6 | 41.4 | 45.2 | 38.4 | 38.8 | 38.3 | 41.9 | 45.6 | 39.7 | 39.8 | 38.9 | 42.3 | 46.1 |
| | S.C. | 36.9 | 35.5 | 29.9 | 29.9 | 22.9 | 38.0 | 37.3 | 31.8 | 31.8 | 23.9 | 39.1 | 39.2 | 33.7 | 33.8 | 24.9 |
| | KW | 5.38 | 5.44 | 5.47 | 5.37 | 5.27 | 5.42 | 5.47 | 5.52 | 5.41 | 5.34 | 5.45 | 5.50 | 5.56 | 5.46 | 5.41 |
| 125 | T.C. | 35.4 | 35.4 | 35.2 | 38.7 | 42.6 | 36.5 | 36.4 | 35.7 | 39.1 | 43.0 | 37.6 | 37.5 | 36.3 | 39.5 | 43.5 |
| | S.C. | 35.2 | 34.3 | 28.9 | 28.8 | 22.0 | 36.1 | 35.8 | 30.7 | 30.7 | 23.0 | 37.0 | 37.2 | 32.5 | 32.6 | 24.0 |
| | KW | 6.09 | 6.16 | 6.21 | 6.07 | 5.91 | 6.10 | 6.17 | 6.25 | 6.09 | 5.97 | 6.12 | 6.18 | 6.29 | 6.12 | 6.04 |

ALL CAPACITIES INCLUDE INDOOR FAN HEAT. KW VALUES ARE FOR THE SYSTEM (OUTDOOR + INDOOR).

Green shaded cells are ACCA (TVA) conditions.

Blue shaded cells are AHRI conditions.

Multipliers for determining the performance with other indoor sections.

NOTE: For dry bulb temperatures different than those listed (between 73-87 °F), sensible capacity increases by 1060 BTUH per 1000 CFM per degree above the listed temperature and decreases by 1060 BTUH per 1000 CFM per degree below the listed temperature.

COIL MULTIPLIERS- 4 TON

| Air Handler | Coil | T.C. | S.C. | KW |
|-------------|-------------|------|------|------|
| - | CF/CM/CU48C | 1.00 | 1.00 | 1.00 |
| - | CF/CM/CU48D | 1.00 | 1.00 | 1.00 |
| - | CF/CM/CU60C | 1.01 | 1.05 | 0.97 |
| - | CF/CM/CU60D | 1.01 | 1.05 | 0.99 |
| - | CF/CM64D | 1.01 | 1.05 | 0.97 |
| AE48CX21 | - | 0.99 | 0.98 | 0.91 |
| AE48DX21 | - | 0.99 | 0.99 | 0.91 |
| AE60CX21 | - | 1.00 | 1.01 | 0.92 |
| AE60DX21 | - | 1.01 | 1.01 | 0.91 |
| AP48CX21 | - | 1.01 | 0.98 | 1.01 |
| AP48DX21 | - | 1.00 | 0.99 | 1.00 |
| AP60CX21 | - | 1.01 | 1.07 | 0.99 |
| AP60DX22 | - | 1.01 | 1.03 | 0.99 |
| AP60DX23 | - | 1.01 | 1.03 | 0.99 |
| AVC48CX21 | - | 1.01 | 0.99 | 0.95 |
| AVC48DX21 | - | 1.01 | 1.01 | 0.93 |
| AVC60CX21 | - | 1.01 | 1.01 | 0.93 |
| AVC60DX21 | - | 1.01 | 1.02 | 0.93 |
| ME14DN21 | CF/CM60D | 1.01 | 1.01 | 0.93 |
| ME14DN21 | CF/CM64D | 1.01 | 0.99 | 0.91 |
| ME16CN21 | CF/CM48C | 1.01 | 1.04 | 0.93 |
| ME16CN21 | CF/CM60C | 1.01 | 1.02 | 0.93 |
| ME20DN21 | CF/CM48D | 1.01 | 1.04 | 0.93 |
| ME20DN21 | CF/CM60D | 1.01 | 1.01 | 0.93 |
| ME20DN21 | CF/CM64D | 1.01 | 1.02 | 0.91 |
| MVC14DN21 | CF/CM48D | 1.01 | 0.98 | 0.93 |
| MVC14DN21 | CF/CM60D | 1.01 | 0.98 | 0.93 |
| MVC14DN21 | CF/CM64D | 1.01 | 0.98 | 0.91 |
| MVC16CN21 | CF/CM48C | 1.01 | 1.01 | 0.93 |
| MVC16CN21 | CF/CM60C | 1.01 | 1.08 | 0.91 |
| MVC20DN21 | CF/CM48D | 1.01 | 1.02 | 0.93 |
| MVC20DN21 | CF/CM60D | 1.01 | 1.04 | 0.93 |
| MVC20DN21 | CF/CM64D | 1.01 | 0.99 | 0.91 |

FURNACE MULTIPLIERS- 4 TON

| Furnaces | Coil | T.C. | S.C. | KW |
|----------------|-------------|------|------|------|
| TL8E080C16UH11 | CF/CM/CU48C | 1.01 | 1.02 | 0.95 |
| TL8E080C16UH11 | CF/CM/CU48D | 1.01 | 1.02 | 0.97 |
| TL8E080C16UH11 | CF/CM/CU60C | 1.01 | 1.02 | 0.97 |
| TL8E080C16UH11 | CF/CM64D | 1.01 | 1.02 | 0.95 |
| TL8E100C20UH11 | CF/CM/CU48C | 1.01 | 1.02 | 0.95 |
| TL8E100C20UH11 | CF/CM/CU48D | 1.01 | 1.03 | 0.95 |
| TL8E100C20UH11 | CF/CM/CU60C | 1.01 | 1.02 | 0.95 |
| TL8E100C20UH11 | CF/CM64D | 1.01 | 1.03 | 0.93 |
| TL9E080C16UH11 | CF/CM/CU48C | 1.01 | 1.02 | 0.97 |
| TL9E080C16UH11 | CF/CM/CU48D | 1.01 | 1.02 | 0.97 |
| TL9E080C16UH11 | CF/CM/CU60C | 1.01 | 1.02 | 0.97 |
| TL9E080C16UH11 | CF/CM64D | 1.01 | 1.03 | 0.95 |
| TL9E100C20UH11 | CF/CM/CU48C | 1.01 | 1.02 | 0.95 |
| TL9E100C20UH11 | CF/CM/CU48D | 1.01 | 1.03 | 0.95 |
| TL9E100C20UH11 | CF/CM/CU60C | 1.01 | 1.02 | 0.95 |
| TL9E100C20UH11 | CF/CM64D | 1.01 | 1.03 | 0.93 |
| TM8E080B12MP11 | CF/CM/CU48C | 1.01 | 1.01 | 0.99 |
| TM8E080C16MP11 | CF/CM/CU48C | 1.00 | 1.02 | 1.00 |
| TM8E080C16MP11 | CF/CM/CU48D | 1.01 | 1.04 | 1.01 |
| TM8E080C16MP11 | CF/CM/CU60C | 1.01 | 1.06 | 0.97 |

FURNACE MULTIPLIERS- 4 TON (Continued)

| Furnaces | Coil | T.C. | S.C. | KW |
|-----------------|-------------|------|------|------|
| TM8E080C16MP11 | CF/CM64D | 1.01 | 1.07 | 0.97 |
| TM8E080C20MP11 | CF/CM/CU48C | 1.01 | 1.04 | 0.95 |
| TM8E080C20MP11 | CF/CM/CU48D | 1.01 | 1.04 | 0.95 |
| TM8E080C20MP11 | CF/CM/CU60C | 1.01 | 1.04 | 0.95 |
| TM8E080C20MP11 | CF/CM64D | 1.01 | 1.04 | 0.93 |
| TM8E100C16MP11 | CF/CM/CU48C | 1.01 | 0.99 | 0.95 |
| TM8E100C16MP11 | CF/CM/CU48D | 1.01 | 0.99 | 0.95 |
| TM8E100C16MP11 | CF/CM/CU60C | 1.01 | 1.06 | 0.97 |
| TM8E100C16MP11 | CF/CM64D | 1.01 | 1.00 | 0.93 |
| TM8E100C20MP11 | CF/CM/CU48C | 1.01 | 1.03 | 0.95 |
| TM8E100C20MP11 | CF/CM/CU48D | 1.01 | 1.04 | 0.95 |
| TM8E100C20MP11 | CF/CM/CU60C | 1.01 | 1.02 | 0.95 |
| TM8E100C20MP11 | CF/CM64D | 1.01 | 1.03 | 0.93 |
| TM8E120C16MP11 | CF/CM/CU48C | 1.01 | 0.99 | 0.95 |
| TM8E120C16MP11 | CF/CM/CU48D | 1.01 | 0.99 | 0.95 |
| TM8E120C16MP11 | CF/CM/CU60C | 1.01 | 0.99 | 0.95 |
| TM8E120C16MP11 | CF/CM64D | 1.01 | 1.00 | 0.93 |
| TM8E120C20MP11 | CF/CM/CU48C | 1.01 | 1.03 | 0.95 |
| TM8E120C20MP11 | CF/CM/CU48D | 1.01 | 1.04 | 0.95 |
| TM8E120C20MP11 | CF/CM/CU60C | 1.01 | 1.02 | 0.95 |
| TM8E120C20MP11 | CF/CM64D | 1.01 | 1.03 | 0.93 |
| TM8E130D20MP11 | CF/CM/CU48D | 1.01 | 1.03 | 0.93 |
| TM8E130D20MP11 | CF/CM64D | 1.01 | 1.03 | 0.91 |
| TM8V080C16MP11C | CF/CM/CU48C | 0.99 | 1.01 | 0.93 |
| TM8V080C16MP11C | CF/CM/CU48D | 1.01 | 1.03 | 0.95 |
| TM8V080C16MP11C | CF/CM/CU60C | 0.99 | 1.02 | 0.93 |
| TM8V080C16MP11C | CF/CM/CU60D | 0.99 | 1.02 | 0.91 |
| TM8V080C16MP11C | CF/CM64D | 1.01 | 1.04 | 0.93 |
| TM8V080C16MP12C | CF/CM/CU48C | 0.99 | 1.01 | 0.93 |
| TM8V080C16MP12C | CF/CM/CU48D | 1.01 | 1.03 | 0.95 |
| TM8V080C16MP12C | CF/CM/CU60C | 0.99 | 1.02 | 0.93 |
| TM8V080C16MP12C | CF/CM/CU60D | 0.99 | 1.02 | 0.91 |
| TM8V080C16MP12C | CF/CM64D | 1.01 | 1.04 | 0.93 |
| TM8V100C16MP11C | CF/CM/CU48C | 0.99 | 0.96 | 0.93 |
| TM8V100C16MP11C | CF/CM/CU48D | 1.01 | 0.98 | 0.95 |
| TM8V100C16MP11C | CF/CM/CU60C | 0.99 | 0.96 | 0.91 |
| TM8V100C16MP11C | CF/CM/CU60D | 0.99 | 0.96 | 0.91 |
| TM8V100C16MP11C | CF/CM64D | 1.01 | 1.01 | 0.93 |
| TM8V100C16MP12C | CF/CM/CU48C | 0.99 | 1.01 | 0.93 |
| TM8V100C16MP12C | CF/CM/CU48D | 1.01 | 1.03 | 0.95 |
| TM8V100C16MP12C | CF/CM/CU60C | 0.99 | 1.02 | 0.93 |
| TM8V100C16MP12C | CF/CM/CU60D | 0.99 | 1.02 | 0.91 |
| TM8V100C16MP12C | CF/CM64D | 1.01 | 1.04 | 0.93 |
| TM8V100C20MP11C | CF/CM/CU48C | 0.99 | 1.05 | 0.93 |
| TM8V100C20MP11C | CF/CM/CU48D | 1.01 | 1.07 | 0.93 |
| TM8V100C20MP11C | CF/CM/CU60C | 1.00 | 1.06 | 0.92 |
| TM8V100C20MP11C | CF/CM/CU60D | 1.01 | 1.09 | 0.95 |
| TM8V100C20MP11C | CF/CM64D | 1.00 | 1.07 | 0.94 |
| TM8V100C20MP12C | CF/CM/CU48C | 0.99 | 1.05 | 0.93 |
| TM8V100C20MP12C | CF/CM/CU48D | 1.01 | 1.07 | 0.93 |
| TM8V100C20MP12C | CF/CM/CU60C | 1.00 | 1.06 | 0.92 |
| TM8V100C20MP12C | CF/CM/CU60D | 1.01 | 1.09 | 0.95 |
| TM8V100C20MP12C | CF/CM64D | 1.00 | 1.07 | 0.94 |
| TM8V120C20MP11C | CF/CM/CU48C | 0.99 | 0.96 | 0.93 |
| TM8V120C20MP11C | CF/CM/CU48D | 1.01 | 1.03 | 0.93 |
| TM8V120C20MP11C | CF/CM/CU60C | 1.00 | 0.99 | 0.92 |
| TM8V120C20MP11C | CF/CM/CU60D | 0.99 | 0.97 | 0.93 |

FURNACE MULTIPLIERS- 4 TON (Continued)

| Furnaces | Coil | T.C. | S.C. | KW |
|-----------------|-------------|------|------|------|
| TM8V120C20MP11C | CF/CM64D | 1.00 | 1.01 | 0.94 |
| TM8V120C20MP12C | CF/CM/CU48C | 0.99 | 1.05 | 0.93 |
| TM8V120C20MP12C | CF/CM/CU48D | 1.01 | 1.07 | 0.93 |
| TM8V120C20MP12C | CF/CM/CU60C | 1.00 | 1.06 | 0.92 |
| TM8V120C20MP12C | CF/CM/CU60D | 1.01 | 1.09 | 0.95 |
| TM8V120C20MP12C | CF/CM64D | 1.00 | 1.07 | 0.94 |
| TM8X080C16MP11 | CF/CM/CU48C | 1.00 | 1.01 | 0.96 |
| TM8X080C16MP11 | CF/CM/CU48D | 1.00 | 0.99 | 0.94 |
| TM8X080C16MP11 | CF/CM/CU60C | 1.00 | 0.99 | 0.94 |
| TM8X080C16MP11 | CF/CM/CU60D | 1.00 | 1.00 | 0.94 |
| TM8X080C16MP11 | CF/CM64D | 1.00 | 1.00 | 0.92 |
| TM8X100C16MP11 | CF/CM/CU48C | 1.00 | 1.01 | 0.96 |
| TM8X100C16MP11 | CF/CM/CU48D | 1.00 | 0.99 | 0.94 |
| TM8X100C16MP11 | CF/CM/CU60C | 1.00 | 0.99 | 0.94 |
| TM8X100C16MP11 | CF/CM/CU60D | 1.00 | 1.00 | 0.94 |
| TM8X100C16MP11 | CF/CM64D | 1.00 | 1.00 | 0.92 |
| TM8X100C20MP11 | CF/CM/CU48C | 0.99 | 0.98 | 0.93 |
| TM8X100C20MP11 | CF/CM/CU48D | 0.99 | 0.96 | 0.91 |
| TM8X100C20MP11 | CF/CM/CU60C | 1.00 | 1.02 | 0.92 |
| TM8X100C20MP11 | CF/CM/CU60D | 1.01 | 1.03 | 0.93 |
| TM8X100C20MP11 | CF/CM64D | 1.00 | 1.01 | 0.92 |
| TM8X120C20MP11 | CF/CM/CU48C | 0.99 | 0.98 | 0.93 |
| TM8X120C20MP11 | CF/CM/CU48D | 0.99 | 0.96 | 0.91 |
| TM8X120C20MP11 | CF/CM/CU60C | 1.00 | 1.02 | 0.92 |
| TM8X120C20MP11 | CF/CM/CU60D | 1.01 | 1.03 | 0.93 |
| TM8X120C20MP11 | CF/CM64D | 1.00 | 1.01 | 0.92 |
| TM8Y080C16MP11 | CF/CM/CU48C | 1.00 | 1.01 | 0.96 |
| TM8Y080C16MP11 | CF/CM/CU48D | 1.00 | 0.99 | 0.94 |
| TM8Y080C16MP11 | CF/CM/CU60C | 1.00 | 0.99 | 0.94 |
| TM8Y080C16MP11 | CF/CM/CU60D | 1.00 | 1.00 | 0.94 |
| TM8Y080C16MP11 | CF/CM64D | 1.00 | 1.00 | 0.92 |
| TM8Y100C16MP11 | CF/CM/CU48C | 1.00 | 1.01 | 0.96 |
| TM8Y100C16MP11 | CF/CM/CU48D | 1.00 | 0.99 | 0.94 |
| TM8Y100C16MP11 | CF/CM/CU60C | 1.00 | 0.99 | 0.94 |
| TM8Y100C16MP11 | CF/CM/CU60D | 1.00 | 1.00 | 0.94 |
| TM8Y100C16MP11 | CF/CM64D | 1.00 | 1.00 | 0.92 |
| TM8Y100C20MP11 | CF/CM/CU48C | 0.99 | 0.98 | 0.93 |
| TM8Y100C20MP11 | CF/CM/CU48D | 0.99 | 0.96 | 0.91 |
| TM8Y100C20MP11 | CF/CM/CU60C | 1.00 | 1.02 | 0.92 |
| TM8Y100C20MP11 | CF/CM/CU60D | 1.01 | 1.03 | 0.93 |
| TM8Y100C20MP11 | CF/CM64D | 1.00 | 1.01 | 0.92 |
| TM8Y120C20MP11 | CF/CM/CU48C | 0.99 | 0.98 | 0.93 |
| TM8Y120C20MP11 | CF/CM/CU48D | 0.99 | 0.96 | 0.91 |
| TM8Y120C20MP11 | CF/CM/CU60C | 1.00 | 1.02 | 0.92 |
| TM8Y120C20MP11 | CF/CM/CU60D | 1.01 | 1.03 | 0.93 |
| TM8Y120C20MP11 | CF/CM64D | 1.00 | 1.01 | 0.92 |
| TM9E080B12MP12 | CF/CM/CU48C | 1.01 | 1.01 | 0.99 |
| TM9E080B12MP12 | CF/CM/CU60C | 1.00 | 0.99 | 1.00 |
| TM9E080C16MP11 | CF/CM/CU48C | 0.98 | 0.95 | 0.94 |
| TM9E080C16MP11 | CF/CM/CU48D | 0.98 | 0.95 | 0.94 |
| TM9E080C16MP11 | CF/CM/CU60C | 1.00 | 0.98 | 0.94 |
| TM9E080C16MP11 | CF/CM/CU60D | 0.99 | 0.97 | 0.93 |
| TM9E080C16MP11 | CF/CM64D | 0.99 | 0.95 | 0.93 |
| TM9E080C20MP12 | CF/CM/CU48C | 1.01 | 1.02 | 0.95 |
| TM9E080C20MP12 | CF/CM/CU48D | 1.01 | 1.03 | 0.95 |
| TM9E080C20MP12 | CF/CM/CU60C | 1.01 | 1.02 | 0.95 |
| TM9E080C20MP12 | CF/CM/CU60D | 1.01 | 1.02 | 0.95 |
| TM9E080C20MP12 | CF/CM64D | 1.01 | 1.03 | 0.93 |
| TM9E120D20MP11 | CF/CM/CU48D | 0.99 | 0.98 | 0.93 |
| TM9E120D20MP11 | CF/CM/CU60D | 0.99 | 0.99 | 0.91 |
| TM9E120D20MP11 | CF/CM64D | 1.01 | 1.01 | 0.93 |
| TM9E120D20MP12 | CF/CM/CU48D | 1.01 | 1.04 | 0.95 |
| TM9E120D20MP12 | CF/CM64D | 1.01 | 1.04 | 0.93 |
| TM9V080C16MP11C | CF/CM/CU48C | 0.99 | 0.97 | 0.93 |
| TM9V080C16MP11C | CF/CM/CU48D | 0.99 | 0.96 | 0.91 |
| TM9V080C16MP11C | CF/CM/CU60C | 0.99 | 0.97 | 0.93 |
| TM9V080C16MP11C | CF/CM/CU60D | 0.99 | 0.97 | 0.93 |
| TM9V080C16MP11C | CF/CM64D | 0.99 | 0.98 | 0.91 |
| TM9V080C16MP12C | CF/CM/CU48C | 0.99 | 0.97 | 0.93 |
| TM9V080C16MP12C | CF/CM/CU48D | 0.99 | 0.96 | 0.91 |
| TM9V080C16MP12C | CF/CM/CU60C | 0.99 | 0.97 | 0.93 |
| TM9V080C16MP12C | CF/CM/CU60D | 0.99 | 0.97 | 0.93 |
| TM9V080C16MP12C | CF/CM64D | 0.99 | 0.98 | 0.91 |
| TM9V100C16MP11C | CF/CM/CU48C | 1.01 | 1.01 | 0.95 |
| TM9V100C16MP11C | CF/CM/CU48D | 0.99 | 0.98 | 0.91 |
| TM9V100C16MP11C | CF/CM/CU60C | 0.98 | 1.01 | 0.92 |
| TM9V100C16MP11C | CF/CM/CU60D | 0.99 | 0.99 | 0.93 |
| TM9V100C16MP11C | CF/CM64D | 0.98 | 0.95 | 0.90 |
| TM9V100C16MP12C | CF/CM/CU48C | 0.99 | 1.02 | 0.93 |
| TM9V100C16MP12C | CF/CM/CU48D | 0.99 | 1.02 | 0.93 |
| TM9V100C16MP12C | CF/CM/CU60C | 0.98 | 1.01 | 0.92 |
| TM9V100C16MP12C | CF/CM/CU60D | 0.99 | 1.02 | 0.93 |
| TM9V100C16MP12C | CF/CM64D | 0.98 | 1.02 | 0.90 |
| TM9V100C20MP11C | CF/CM/CU48C | 1.01 | 1.01 | 0.97 |
| TM9V100C20MP11C | CF/CM/CU48D | 1.01 | 0.98 | 0.93 |
| TM9V100C20MP11C | CF/CM/CU60C | 1.01 | 1.04 | 0.97 |
| TM9V100C20MP11C | CF/CM/CU60D | 0.98 | 0.95 | 0.92 |
| TM9V100C20MP11C | CF/CM64D | 0.98 | 0.95 | 0.90 |
| TM9V100C20MP12C | CF/CM/CU48C | 1.00 | 1.04 | 0.96 |
| TM9V100C20MP12C | CF/CM/CU48D | 1.00 | 1.03 | 0.94 |
| TM9V100C20MP12C | CF/CM/CU60C | 1.00 | 1.08 | 0.96 |
| TM9V100C20MP12C | CF/CM/CU60D | 0.98 | 1.05 | 0.92 |
| TM9V100C20MP12C | CF/CM64D | 0.98 | 1.05 | 0.90 |
| TM9V120D20MP11C | CF/CM/CU48D | 0.98 | 0.95 | 0.92 |
| TM9V120D20MP11C | CF/CM/CU60D | 0.98 | 0.95 | 0.90 |
| TM9V120D20MP11C | CF/CM64D | 1.01 | 1.04 | 0.95 |
| TM9V120D20MP12C | CF/CM/CU48D | 0.98 | 1.04 | 0.92 |
| TM9V120D20MP12C | CF/CM/CU60D | 1.01 | 1.08 | 0.93 |
| TM9V120D20MP12C | CF/CM64D | 1.01 | 1.09 | 0.95 |
| TM9Y080C16MP11 | CF/CM/CU48C | 0.98 | 0.95 | 0.94 |
| TM9Y080C16MP11 | CF/CM/CU48D | 0.98 | 0.95 | 0.94 |

FURNACE MULTIPLIERS- 4 TON (Continued)

| Furnaces | Coil | T.C. | S.C. | KW |
|-----------------|-------------|------|------|------|
| TM9E100C16MP11 | CF/CM/CU48C | 0.98 | 0.95 | 0.94 |
| TM9E100C16MP11 | CF/CM/CU48D | 0.98 | 0.95 | 0.94 |
| TM9E100C16MP11 | CF/CM/CU60C | 1.00 | 0.98 | 0.94 |
| TM9E100C16MP11 | CF/CM/CU60D | 0.99 | 0.97 | 0.93 |
| TM9E100C16MP11 | CF/CM64D | 0.99 | 0.95 | 0.93 |
| TM9E100C20MP11 | CF/CM/CU48C | 0.99 | 1.00 | 0.93 |
| TM9E100C20MP11 | CF/CM/CU48D | 1.00 | 0.99 | 0.94 |
| TM9E100C20MP11 | CF/CM/CU60C | 1.00 | 0.99 | 0.94 |
| TM9E100C20MP11 | CF/CM/CU60D | 1.00 | 1.02 | 0.92 |
| TM9E100C20MP11 | CF/CM64D | 1.00 | 1.00 | 0.92 |
| TM9E100C20MP12 | CF/CM/CU48C | 1.01 | 1.02 | 0.95 |
| TM9E100C20MP12 | CF/CM/CU48D | 1.01 | 1.03 | 0.95 |
| TM9E100C20MP12 | CF/CM/CU60C | 1.01 | 1.02 | 0.95 |
| TM9E100C20MP12 | CF/CM64D | 1.01 | 1.03 | 0.93 |
| TM9E120D20MP11 | CF/CM/CU48D | 0.99 | 0.98 | 0.93 |
| TM9E120D20MP11 | CF/CM/CU60D | 0.99 | 0.99 | 0.91 |
| TM9E120D20MP11 | CF/CM64D | 1.01 | 1.01 | 0.93 |
| TM9E120D20MP12 | CF/CM/CU48D | 1.01 | 1.04 | 0.95 |
| TM9E120D20MP12 | CF/CM64D | 1.01 | 1.04 | 0.93 |
| TM9V080C16MP11C | CF/CM/CU48C | 0.99 | 0.97 | 0.93 |
| TM9V080C16MP11C | CF/CM/CU48D | 0.99 | 0.96 | 0.91 |
| TM9V080C16MP11C | CF/CM/CU60C | 0.99 | 0.97 | 0.93 |
| TM9V080C16MP11C | CF/CM/CU60D | 0.99 | 0.97 | 0.93 |
| TM9V080C16MP11C | CF/CM64D | 0.99 | 0.98 | 0.91 |
| TM9V080C16MP12C | CF/CM/CU48C | 0.99 | 0.97 | 0.93 |
| TM9V080C16MP12C | CF/CM/CU48D | 0.99 | 0.96 | 0.91 |
| TM9V080C16MP12C | CF/CM/CU60C | 0.99 | 0.97 | 0.93 |
| TM9V080C16MP12C | CF/CM/CU60D | 0.99 | 0.97 | 0.93 |
| TM9V080C16MP12C | CF/CM64D | 0.99 | 0.98 | 0.91 |
| TM9V100C16MP11C | CF/CM/CU48C | 1.01 | 1.01 | 0.95 |
| TM9V100C16MP11C | CF/CM/CU48D | 0.99 | 0.98 | 0.91 |
| TM9V100C16MP11C | CF/CM/CU60C | 0.98 | 1.01 | 0.92 |
| TM9V100C16MP11C | CF/CM/CU60D | 0.99 | 0.99 | 0.93 |
| TM9V100C16MP11C | CF/CM64D | 0.98 | 0.95 | 0.90 |
| TM9V100C16MP12C | CF/CM/CU48C | 0.99 | 1.02 | 0.93 |
| TM9V100C16MP12C | CF/CM/CU48D | 0.99 | 1.02 | 0.93 |
| TM9V100C16MP12C | CF/CM/CU60C | 0.98 | 1.01 | 0.92 |
| TM9V100C16MP12C | CF/CM/CU60D | 0.99 | 1.02 | 0.93 |
| TM9V100C16MP12C | CF/CM64D | 0.98 | 1.02 | 0.90 |
| TM9V100C20MP11C | CF/CM/CU48C | 1.01 | 1.01 | 0.97 |
| TM9V100C20MP11C | CF/CM/CU48D | 1.01 | 0.98 | 0.93 |
| TM9V100C20MP11C | CF/CM/CU60C | 1.01 | 1.04 | 0.97 |
| TM9V100C20MP11C | CF/CM/CU60D | 0.98 | 0.95 | 0.92 |
| TM9V100C20MP11C | CF/CM64D | 0.98 | 0.95 | 0.90 |
| TM9V100C20MP12C | CF/CM/CU48C | 1.00 | 1.04 | 0.96 |
| TM9V100C20MP12C | CF/CM/CU48D | 1.00 | 1.03 | 0.94 |
| TM9V100C20MP12C | CF/CM/CU60C | 1.00 | 1.08 | 0.96 |
| TM9V100C20MP12C | CF/CM/CU60D | 0.98 | 1.05 | 0.92 |
| TM9V100C20MP12C | CF/CM64D | 0.98 | 1.05 | 0.90 |
| TM9V120D20MP11C | CF/CM/CU48D | 0.98 | 0.95 | 0.92 |
| TM9V120D20MP11C | CF/CM/CU60D | 0.98 | 0.95 | 0.90 |
| TM9V120D20MP11C | CF/CM64D | 1.01 | 1.04 | 0.95 |
| TM9V120D20MP12C | CF/CM/CU48D | 0.98 | 1.04 | 0.92 |
| TM9V120D20MP12C | CF/CM/CU60D | 1.01 | 1.08 | 0.93 |
| TM9V120D20MP12C | CF/CM64D | 1.01 | 1.09 | 0.95 |
| TM9Y080C16MP11 | CF/CM/CU48C | 0.98 | 0.95 | 0.94 |
| TM9Y080C16MP11 | CF/CM/CU48D | 0.98 | 0.95 | 0.94 |

FURNACE MULTIPLIERS- 4 TON (Continued)

| Furnaces | Coil | T.C. | S.C. | KW |
|-----------------|-------------|------|------|------|
| TM9Y080C16MP11 | CF/CM/CU60C | 1.00 | 0.98 | 0.94 |
| TM9Y080C16MP11 | CF/CM/CU60D | 0.99 | 0.97 | 0.93 |
| TM9Y080C16MP11 | CF/CM64D | 0.99 | 0.95 | 0.93 |
| TM9Y100C16MP11 | CF/CM/CU48C | 0.98 | 0.95 | 0.94 |
| TM9Y100C16MP11 | CF/CM/CU48D | 0.98 | 0.95 | 0.94 |
| TM9Y100C16MP11 | CF/CM/CU60C | 1.00 | 0.98 | 0.94 |
| TM9Y100C16MP11 | CF/CM/CU60D | 0.99 | 0.97 | 0.93 |
| TM9Y100C16MP11 | CF/CM64D | 0.99 | 0.95 | 0.93 |
| TM9Y100C20MP11 | CF/CM/CU48C | 0.99 | 1.00 | 0.93 |
| TM9Y100C20MP11 | CF/CM/CU48D | 1.00 | 0.99 | 0.94 |
| TM9Y100C20MP11 | CF/CM/CU60C | 1.00 | 0.99 | 0.94 |
| TM9Y100C20MP11 | CF/CM/CU60D | 1.00 | 1.02 | 0.92 |
| TM9Y100C20MP11 | CF/CM64D | 1.00 | 1.00 | 0.92 |
| TM9Y120D20MP11 | CF/CM/CU48D | 0.99 | 0.98 | 0.93 |
| TM9Y120D20MP11 | CF/CM/CU60D | 0.99 | 0.99 | 0.91 |
| TM9Y120D20MP11 | CF/CM64D | 1.01 | 1.01 | 0.93 |
| TMLV080C16MP11C | CF/CM/CU48C | 0.99 | 0.96 | 0.93 |
| TMLV080C16MP11C | CF/CM/CU48D | 1.01 | 0.98 | 0.95 |
| TMLV080C16MP11C | CF/CM/CU60C | 0.99 | 0.96 | 0.91 |
| TMLV080C16MP11C | CF/CM/CU60D | 0.99 | 0.96 | 0.91 |
| TMLV080C16MP11C | CF/CM64D | 1.01 | 1.01 | 0.93 |
| TMLV080C16MP12C | CF/CM/CU48C | 0.99 | 1.01 | 0.93 |
| TMLV080C16MP12C | CF/CM/CU48D | 1.01 | 1.03 | 0.95 |
| TMLV080C16MP12C | CF/CM/CU60C | 0.99 | 1.02 | 0.93 |
| TMLV080C16MP12C | CF/CM/CU60D | 0.99 | 1.02 | 0.91 |
| TMLV080C16MP12C | CF/CM64D | 1.01 | 1.04 | 0.93 |
| TMLV100C16MP11C | CF/CM/CU48C | 0.99 | 0.96 | 0.93 |
| TMLV100C16MP11C | CF/CM/CU48D | 1.01 | 0.98 | 0.95 |
| TMLV100C16MP11C | CF/CM/CU60C | 0.99 | 0.96 | 0.91 |
| TMLV100C16MP11C | CF/CM/CU60D | 0.99 | 0.96 | 0.91 |
| TMLV100C16MP11C | CF/CM64D | 1.01 | 1.01 | 0.93 |
| TMLV100C16MP12C | CF/CM/CU48C | 0.99 | 1.01 | 0.93 |
| TMLV100C16MP12C | CF/CM/CU48D | 1.01 | 1.03 | 0.95 |
| TMLV100C16MP12C | CF/CM/CU60C | 0.99 | 1.02 | 0.93 |
| TMLV100C16MP12C | CF/CM/CU60D | 0.99 | 1.02 | 0.91 |
| TMLV100C16MP12C | CF/CM64D | 1.01 | 1.04 | 0.93 |
| TMLV100C20MP11C | CF/CM/CU48C | 0.99 | 0.96 | 0.93 |
| TMLV100C20MP11C | CF/CM/CU48D | 1.01 | 1.03 | 0.93 |
| TMLV100C20MP11C | CF/CM/CU60C | 1.00 | 0.99 | 0.92 |
| TMLV100C20MP11C | CF/CM/CU60D | 0.99 | 0.97 | 0.93 |
| TMLV100C20MP11C | CF/CM64D | 1.00 | 1.01 | 0.94 |
| TMLV100C20MP12C | CF/CM/CU48C | 0.99 | 1.05 | 0.93 |
| TMLV100C20MP12C | CF/CM/CU48D | 1.01 | 1.07 | 0.93 |
| TMLV100C20MP12C | CF/CM/CU60C | 1.00 | 1.06 | 0.92 |
| TMLV100C20MP12C | CF/CM/CU60D | 1.01 | 1.09 | 0.95 |
| TMLV100C20MP12C | CF/CM64D | 1.00 | 1.07 | 0.94 |
| TMLV120C20MP11C | CF/CM/CU48C | 0.99 | 0.96 | 0.93 |
| TMLV120C20MP11C | CF/CM/CU48D | 1.01 | 1.03 | 0.93 |
| TMLV120C20MP11C | CF/CM/CU60C | 1.00 | 0.99 | 0.92 |
| TMLV120C20MP11C | CF/CM/CU60D | 0.99 | 0.97 | 0.93 |
| TMLV120C20MP11C | CF/CM64D | 1.00 | 1.01 | 0.94 |
| TMLV120C20MP12C | CF/CM/CU48C | 0.99 | 1.05 | 0.93 |
| TMLV120C20MP12C | CF/CM/CU48D | 1.01 | 1.07 | 0.93 |
| TMLV120C20MP12C | CF/CM/CU60C | 1.00 | 1.06 | 0.92 |
| TMLV120C20MP12C | CF/CM/CU60D | 1.01 | 1.09 | 0.95 |
| TMLV120C20MP12C | CF/CM64D | 1.00 | 1.07 | 0.94 |
| TMLX080C16MP11 | CF/CM/CU48C | 1.00 | 1.01 | 0.96 |

FURNACE MULTIPLIERS- 4 TON (Continued)

| Furnaces | Coil | T.C. | S.C. | KW |
|-----------------|-------------|------|------|------|
| TMLX080C16MP11 | CF/CM/CU48D | 1.00 | 0.99 | 0.94 |
| TMLX080C16MP11 | CF/CM/CU60C | 1.00 | 0.99 | 0.94 |
| TMLX080C16MP11 | CF/CM/CU60D | 1.00 | 1.00 | 0.94 |
| TMLX080C16MP11 | CF/CM64D | 1.00 | 1.00 | 0.92 |
| TMLX100C16MP11 | CF/CM/CU48C | 1.00 | 1.01 | 0.96 |
| TMLX100C16MP11 | CF/CM/CU48D | 1.00 | 0.99 | 0.94 |
| TMLX100C16MP11 | CF/CM/CU60C | 1.00 | 0.99 | 0.94 |
| TMLX100C16MP11 | CF/CM/CU60D | 1.00 | 1.00 | 0.94 |
| TMLX100C16MP11 | CF/CM64D | 1.00 | 1.00 | 0.92 |
| TMLX100C20MP11 | CF/CM/CU48C | 0.99 | 0.98 | 0.93 |
| TMLX100C20MP11 | CF/CM/CU48D | 0.99 | 0.96 | 0.91 |
| TMLX100C20MP11 | CF/CM/CU60C | 1.00 | 1.02 | 0.92 |
| TMLX100C20MP11 | CF/CM/CU60D | 1.01 | 1.03 | 0.93 |
| TMLX100C20MP11 | CF/CM64D | 1.00 | 1.01 | 0.92 |
| TMLX120C20MP11 | CF/CM/CU48C | 0.99 | 0.98 | 0.93 |
| TMLX120C20MP11 | CF/CM/CU48D | 0.99 | 0.96 | 0.91 |
| TMLX120C20MP11 | CF/CM/CU60C | 1.00 | 1.02 | 0.92 |
| TMLX120C20MP11 | CF/CM/CU60D | 1.01 | 1.03 | 0.93 |
| TMLX120C20MP11 | CF/CM64D | 1.00 | 1.01 | 0.92 |
| TP9C080C16MP12C | CF/CM/CU48C | 1.01 | 1.01 | 0.95 |
| TP9C080C16MP12C | CF/CM/CU48D | 0.99 | 0.98 | 0.91 |
| TP9C080C16MP12C | CF/CM/CU60C | 0.98 | 0.96 | 0.92 |
| TP9C080C16MP12C | CF/CM/CU60D | 0.99 | 0.99 | 0.93 |
| TP9C080C16MP12C | CF/CM64D | 0.98 | 0.95 | 0.90 |
| TP9C080C16MP13C | CF/CM/CU48C | 0.99 | 0.97 | 0.93 |
| TP9C080C16MP13C | CF/CM/CU48D | 0.99 | 0.96 | 0.91 |
| TP9C080C16MP13C | CF/CM/CU60C | 0.99 | 0.97 | 0.93 |
| TP9C080C16MP13C | CF/CM/CU60D | 0.99 | 0.97 | 0.93 |
| TP9C080C16MP13C | CF/CM64D | 0.99 | 0.98 | 0.91 |
| TP9C100C16MP12C | CF/CM/CU48C | 0.99 | 1.02 | 0.93 |
| TP9C100C16MP12C | CF/CM/CU48D | 0.99 | 1.02 | 0.93 |
| TP9C100C16MP12C | CF/CM/CU60C | 0.98 | 1.01 | 0.92 |
| TP9C100C16MP12C | CF/CM/CU60D | 0.99 | 1.02 | 0.93 |
| TP9C100C16MP12C | CF/CM64D | 0.98 | 1.02 | 0.90 |
| TP9C100C16MP13C | CF/CM/CU48C | 0.99 | 1.02 | 0.93 |
| TP9C100C16MP13C | CF/CM/CU48D | 0.99 | 1.02 | 0.93 |
| TP9C100C16MP13C | CF/CM/CU60C | 0.98 | 1.01 | 0.92 |
| TP9C100C16MP13C | CF/CM/CU60D | 0.99 | 1.02 | 0.93 |
| TP9C100C16MP13C | CF/CM64D | 0.98 | 1.02 | 0.90 |
| TP9C100C20MP12C | CF/CM/CU48C | 1.00 | 1.04 | 0.96 |
| TP9C100C20MP12C | CF/CM/CU48D | 1.00 | 1.03 | 0.94 |
| TP9C100C20MP12C | CF/CM/CU60C | 1.00 | 1.08 | 0.96 |
| TP9C100C20MP12C | CF/CM/CU60D | 0.98 | 1.05 | 0.92 |
| TP9C100C20MP12C | CF/CM64D | 0.98 | 1.05 | 0.90 |
| TP9C100C20MP13C | CF/CM/CU48C | 1.00 | 1.04 | 0.96 |
| TP9C100C20MP13C | CF/CM/CU48D | 1.00 | 1.03 | 0.94 |
| TP9C100C20MP13C | CF/CM/CU60C | 1.00 | 1.08 | 0.96 |
| TP9C100C20MP13C | CF/CM/CU60D | 0.98 | 1.05 | 0.92 |
| TP9C100C20MP13C | CF/CM64D | 0.98 | 1.05 | 0.90 |
| TP9C120D20MP12C | CF/CM/CU48D | 0.98 | 0.95 | 0.92 |
| TP9C120D20MP12C | CF/CM/CU60D | 0.98 | 0.95 | 0.90 |
| TP9C120D20MP12C | CF/CM64D | 1.01 | 1.04 | 0.95 |
| TP9C120D20MP13C | CF/CM/CU48D | 0.98 | 1.04 | 0.92 |
| TP9C120D20MP13C | CF/CM/CU60D | 1.01 | 1.08 | 0.93 |
| TP9C120D20MP13C | CF/CM64D | 1.01 | 1.09 | 0.95 |
| TPLC080C16MP12C | CF/CM/CU48C | 0.99 | 1.01 | 0.93 |
| TPLC080C16MP12C | CF/CM/CU48D | 1.01 | 1.03 | 0.95 |

FURNACE MULTIPLIERS- 4 TON (Continued)

| Furnaces | Coil | T.C. | S.C. | KW |
|-----------------|-------------|------|------|------|
| TPLC080C16MP12C | CF/CM/CU60C | 0.99 | 1.02 | 0.93 |
| TPLC080C16MP12C | CF/CM/CU60D | 0.99 | 1.02 | 0.91 |
| TPLC080C16MP12C | CF/CM64D | 1.01 | 1.04 | 0.93 |
| TPLC080C16MP13C | CF/CM/CU48C | 0.99 | 1.01 | 0.93 |
| TPLC080C16MP13C | CF/CM/CU48D | 1.01 | 1.03 | 0.95 |
| TPLC080C16MP13C | CF/CM/CU60C | 0.99 | 1.02 | 0.93 |
| TPLC080C16MP13C | CF/CM/CU60D | 0.99 | 1.02 | 0.91 |
| TPLC080C16MP13C | CF/CM64D | 1.01 | 1.04 | 0.93 |
| TPLC100C16MP12C | CF/CM/CU48C | 0.99 | 1.01 | 0.93 |
| TPLC100C16MP12C | CF/CM/CU48D | 1.01 | 1.03 | 0.95 |
| TPLC100C16MP12C | CF/CM/CU60C | 0.99 | 1.02 | 0.93 |
| TPLC100C16MP12C | CF/CM/CU60D | 0.99 | 1.02 | 0.91 |
| TPLC100C16MP12C | CF/CM64D | 1.01 | 1.04 | 0.93 |
| TPLC100C16MP13C | CF/CM/CU48C | 0.99 | 1.01 | 0.93 |
| TPLC100C16MP13C | CF/CM/CU48D | 1.01 | 1.03 | 0.95 |
| TPLC100C16MP13C | CF/CM/CU60C | 0.99 | 1.02 | 0.93 |
| TPLC100C16MP13C | CF/CM/CU60D | 0.99 | 1.02 | 0.91 |
| TPLC100C16MP13C | CF/CM64D | 1.01 | 1.04 | 0.93 |
| TPLC100C20MP12C | CF/CM/CU48C | 0.99 | 0.96 | 0.93 |
| TPLC100C20MP12C | CF/CM/CU48D | 1.01 | 1.03 | 0.93 |
| TPLC100C20MP12C | CF/CM/CU60C | 1.00 | 0.99 | 0.92 |
| TPLC100C20MP12C | CF/CM/CU60D | 0.99 | 0.97 | 0.93 |
| TPLC100C20MP12C | CF/CM64D | 1.00 | 1.01 | 0.94 |
| TPLC100C20MP13C | CF/CM/CU48C | 0.99 | 1.05 | 0.93 |
| TPLC100C20MP13C | CF/CM/CU48D | 1.01 | 1.07 | 0.93 |
| TPLC100C20MP13C | CF/CM/CU60C | 1.00 | 1.06 | 0.92 |
| TPLC100C20MP13C | CF/CM/CU60D | 1.01 | 1.09 | 0.95 |
| TPLC100C20MP13C | CF/CM64D | 1.00 | 1.07 | 0.94 |
| TPLC120C20MP12C | CF/CM/CU48C | 0.99 | 0.96 | 0.93 |
| TPLC120C20MP12C | CF/CM/CU48D | 1.01 | 1.03 | 0.93 |
| TPLC120C20MP12C | CF/CM/CU60C | 1.00 | 0.99 | 0.92 |
| TPLC120C20MP12C | CF/CM/CU60D | 0.99 | 0.97 | 0.93 |
| TPLC120C20MP12C | CF/CM64D | 1.00 | 1.01 | 0.94 |
| TPLC120C20MP13C | CF/CM/CU48C | 0.99 | 1.05 | 0.93 |
| TPLC120C20MP13C | CF/CM/CU48D | 1.01 | 1.07 | 0.93 |
| TPLC120C20MP13C | CF/CM/CU60C | 1.00 | 1.06 | 0.92 |
| TPLC120C20MP13C | CF/CM/CU60D | 1.01 | 1.09 | 0.95 |
| TPLC120C20MP13C | CF/CM64D | 1.00 | 1.07 | 0.94 |
| YP9C080C16MP12C | CF/CM/CU48C | 1.01 | 1.01 | 0.95 |
| YP9C080C16MP12C | CF/CM/CU48D | 0.99 | 0.98 | 0.91 |
| YP9C080C16MP12C | CF/CM/CU60C | 0.98 | 0.96 | 0.92 |
| YP9C080C16MP12C | CF/CM/CU60D | 0.99 | 0.99 | 0.93 |
| YP9C080C16MP12C | CF/CM64D | 0.98 | 0.95 | 0.90 |
| YP9C080C16MP13C | CF/CM/CU48C | 0.99 | 0.97 | 0.93 |
| YP9C080C16MP13C | CF/CM/CU48D | 0.99 | 0.96 | 0.91 |
| YP9C080C16MP13C | CF/CM/CU60C | 0.99 | 0.97 | 0.93 |
| YP9C080C16MP13C | CF/CM/CU60D | 0.99 | 0.97 | 0.93 |
| YP9C080C16MP13C | CF/CM64D | 0.99 | 0.98 | 0.91 |
| YP9C100C16MP12C | CF/CM/CU48C | 0.99 | 1.02 | 0.93 |
| YP9C100C16MP12C | CF/CM/CU48D | 0.99 | 1.02 | 0.93 |
| YP9C100C16MP12C | CF/CM/CU60C | 0.98 | 1.01 | 0.92 |
| YP9C100C16MP12C | CF/CM/CU60D | 0.99 | 1.02 | 0.93 |
| YP9C100C16MP12C | CF/CM64D | 0.98 | 1.02 | 0.90 |
| YP9C100C16MP13C | CF/CM/CU48C | 0.99 | 1.02 | 0.93 |
| YP9C100C16MP13C | CF/CM/CU48D | 0.99 | 1.02 | 0.93 |
| YP9C100C16MP13C | CF/CM/CU60C | 0.98 | 1.01 | 0.92 |
| YP9C100C16MP13C | CF/CM/CU60D | 0.99 | 1.02 | 0.93 |

FURNACE MULTIPLIERS- 4 TON (Continued)

| Furnaces | Coil | T.C. | S.C. | KW |
|-----------------|-------------|------|------|------|
| YP9C100C16MP13C | CF/CM64D | 0.98 | 1.02 | 0.90 |
| YP9C100C20MP12C | CF/CM/CU48C | 1.00 | 1.04 | 0.96 |
| YP9C100C20MP12C | CF/CM/CU48D | 1.00 | 1.03 | 0.94 |
| YP9C100C20MP12C | CF/CM/CU60C | 1.00 | 1.08 | 0.96 |
| YP9C100C20MP12C | CF/CM/CU60D | 0.98 | 1.05 | 0.92 |
| YP9C100C20MP12C | CF/CM64D | 0.98 | 1.05 | 0.90 |
| YP9C100C20MP13C | CF/CM/CU48C | 1.00 | 1.04 | 0.96 |
| YP9C100C20MP13C | CF/CM/CU48D | 1.00 | 1.03 | 0.94 |
| YP9C100C20MP13C | CF/CM/CU60C | 1.00 | 1.08 | 0.96 |
| YP9C100C20MP13C | CF/CM/CU60D | 0.98 | 1.05 | 0.92 |
| YP9C100C20MP13C | CF/CM64D | 0.98 | 1.05 | 0.90 |
| YP9C120D20MP12C | CF/CM/CU48D | 0.98 | 1.04 | 0.92 |
| YP9C120D20MP12C | CF/CM/CU60D | 1.01 | 1.08 | 0.93 |
| YP9C120D20MP12C | CF/CM64D | 1.01 | 1.09 | 0.95 |
| YP9C120D20MP13C | CF/CM/CU48D | 0.98 | 1.04 | 0.92 |
| YP9C120D20MP13C | CF/CM/CU60D | 1.01 | 1.08 | 0.93 |
| YP9C120D20MP13C | CF/CM64D | 1.01 | 1.09 | 0.95 |
| YPLC080C16MP12C | CF/CM/CU48C | 0.99 | 1.01 | 0.93 |
| YPLC080C16MP12C | CF/CM/CU48D | 1.01 | 1.03 | 0.95 |
| YPLC080C16MP12C | CF/CM/CU60C | 0.99 | 1.02 | 0.93 |
| YPLC080C16MP12C | CF/CM/CU60D | 0.99 | 1.02 | 0.91 |
| YPLC080C16MP12C | CF/CM64D | 1.01 | 1.04 | 0.93 |
| YPLC080C16MP13C | CF/CM/CU48C | 0.99 | 1.01 | 0.93 |
| YPLC080C16MP13C | CF/CM/CU48D | 1.01 | 1.03 | 0.95 |
| YPLC080C16MP13C | CF/CM/CU60C | 0.99 | 1.02 | 0.93 |
| YPLC080C16MP13C | CF/CM/CU60D | 0.99 | 1.02 | 0.91 |
| YPLC080C16MP13C | CF/CM64D | 1.01 | 1.04 | 0.93 |
| YPLC100C16MP12C | CF/CM/CU48C | 0.99 | 1.01 | 0.93 |
| YPLC100C16MP12C | CF/CM/CU48D | 1.01 | 1.03 | 0.95 |
| YPLC100C16MP12C | CF/CM/CU60C | 0.99 | 1.02 | 0.93 |
| YPLC100C16MP12C | CF/CM/CU60D | 0.99 | 1.02 | 0.91 |
| YPLC100C16MP12C | CF/CM64D | 1.01 | 1.04 | 0.93 |
| YPLC100C16MP13C | CF/CM/CU48C | 0.99 | 1.01 | 0.93 |
| YPLC100C16MP13C | CF/CM/CU48D | 1.01 | 1.03 | 0.95 |
| YPLC100C16MP13C | CF/CM/CU60C | 0.99 | 1.02 | 0.93 |
| YPLC100C16MP13C | CF/CM/CU60D | 0.99 | 1.02 | 0.91 |
| YPLC100C16MP13C | CF/CM64D | 1.01 | 1.04 | 0.93 |
| YPLC100C20MP12C | CF/CM/CU48C | 0.99 | 1.05 | 0.93 |
| YPLC100C20MP12C | CF/CM/CU48D | 1.01 | 1.07 | 0.93 |
| YPLC100C20MP12C | CF/CM/CU60C | 1.00 | 1.06 | 0.92 |
| YPLC100C20MP12C | CF/CM/CU60D | 1.01 | 1.09 | 0.95 |
| YPLC100C20MP12C | CF/CM64D | 1.00 | 1.07 | 0.94 |
| YPLC100C20MP13C | CF/CM/CU48C | 0.99 | 1.05 | 0.93 |
| YPLC100C20MP13C | CF/CM/CU48D | 1.01 | 1.07 | 0.93 |
| YPLC100C20MP13C | CF/CM/CU60C | 1.00 | 1.06 | 0.92 |
| YPLC100C20MP13C | CF/CM/CU60D | 1.01 | 1.09 | 0.95 |
| YPLC100C20MP13C | CF/CM64D | 1.00 | 1.07 | 0.94 |
| YPLC120C20MP12C | CF/CM/CU48C | 0.99 | 1.05 | 0.93 |
| YPLC120C20MP12C | CF/CM/CU48D | 1.01 | 1.07 | 0.93 |
| YPLC120C20MP12C | CF/CM/CU60C | 1.00 | 1.06 | 0.92 |
| YPLC120C20MP12C | CF/CM/CU60D | 1.01 | 1.09 | 0.95 |
| YPLC120C20MP12C | CF/CM64D | 1.00 | 1.07 | 0.94 |
| YPLC120C20MP13C | CF/CM/CU48C | 0.99 | 1.05 | 0.93 |
| YPLC120C20MP13C | CF/CM/CU48D | 1.01 | 1.07 | 0.93 |
| YPLC120C20MP13C | CF/CM/CU60C | 1.00 | 1.06 | 0.92 |
| YPLC120C20MP13C | CF/CM/CU60D | 1.01 | 1.09 | 0.95 |
| YPLC120C20MP13C | CF/CM64D | 1.00 | 1.07 | 0.94 |

PERFORMANCE DATA - 5 TON

| CONDENSER-ONLY DATA (OUTDOOR UNIT) | | | | | | | | | | | | | | | | | | |
|------------------------------------|-----------------------------------|----------|-----------------------------|------|-------|------|-------|------|-------|------|-------|------|--------|------|--------|------|--------|------|
| MODEL | SATURATED SUCTION @ COMPRESSOR | | Outdoor Ambient Temperature | | | | | | | | | | | | | | | |
| | | | 55 °F | | 65 °F | | 75 °F | | 85 °F | | 95 °F | | 105 °F | | 115 °F | | 125 °F | |
| | T (°F) | P (PSIG) | MBH | KW | MBH | KW | MBH | KW | MBH | KW | MBH | KW | MBH | KW | MBH | KW | MBH | KW |
| TC4B6021S | 35 | 107 | 61.4 | 2.72 | 58.5 | 2.99 | 55.5 | 3.32 | 52.5 | 3.70 | 49.3 | 4.16 | 46.0 | 4.70 | 42.3 | 5.30 | 38.4 | 6.00 |
| | 40 | 118 | 67.5 | 2.73 | 64.3 | 3.00 | 61.1 | 3.33 | 57.8 | 3.71 | 54.4 | 4.17 | 50.7 | 4.70 | 46.9 | 5.31 | 42.7 | 6.00 |
| | 45 | 130 | 73.9 | 2.74 | 70.5 | 3.01 | 67.1 | 3.34 | 63.5 | 3.72 | 59.8 | 4.17 | 55.8 | 4.71 | 51.7 | 5.32 | 47.2 | 5.99 |
| | 50 | 142 | 80.8 | 2.75 | 77.0 | 3.03 | 73.3 | 3.35 | 69.5 | 3.73 | 65.6 | 4.17 | 61.3 | 4.72 | 56.8 | 5.33 | 52.1 | 5.99 |
| | 55 | 156 | 88.2 | 2.76 | 84.1 | 3.04 | 80.0 | 3.37 | 75.8 | 3.76 | 71.6 | 4.19 | 67.1 | 4.73 | 62.3 | 5.34 | 57.3 | 5.99 |

Notes:

- For Outdoor Unit (Condenser) performance only. Data does not include the effects of air handler power or heat.
- Performance based on 15°F subcooling and 15°F superheat at the Outdoor Unit base valves.
 - Increase capacity by 1% for each 2°F increase in subcooling.
 - Decrease capacity by 1% for each 2°F decrease in subcooling.
- Maximum recommended condensing temperature is 140°F.

| COOLING PERFORMANCE DATA | | | | | | | | | | | | | | | | |
|--|------------|-----------|------|------|------|------|------|------|------|------|------|------|------|------|------|------|
| OUTDOOR UNIT MODEL NO. | | TC4B6021S | | | | | | | | | | | | | | |
| INDOOR COIL MODEL NO. | | CF60CXA1 | | | | | | | | | | | | | | |
| AIR TEMP. ENTERING OUTDOOR UNIT (°F) | ID CFM | 1535 | | | | | 1735 | | | | | 1935 | | | | |
| | ID DB (°F) | 80 | 80 | 75 | 80 | 80 | 80 | 80 | 75 | 80 | 80 | 80 | 80 | 75 | 80 | 80 |
| | ID WB (°F) | 57 | 62 | 62 | 67 | 72 | 57 | 62 | 62 | 67 | 72 | 57 | 62 | 62 | 67 | 72 |
| 55 | T.C. | 55.3 | 58.7 | 59.6 | 63.7 | 66.8 | 57.5 | 59.6 | 60.2 | 64.3 | 67.1 | 59.7 | 60.5 | 60.7 | 65.0 | 67.5 |
| | S.C. | 55.3 | 49.6 | 44.3 | 43.0 | 33.6 | 57.5 | 52.4 | 46.2 | 44.3 | 34.5 | 59.7 | 55.2 | 48.1 | 45.7 | 35.4 |
| | KW | 3.10 | 3.14 | 3.13 | 3.15 | 3.17 | 3.19 | 3.22 | 3.21 | 3.24 | 3.25 | 3.27 | 3.30 | 3.29 | 3.32 | 3.33 |
| 65 | T.C. | 54.1 | 57.2 | 57.2 | 62.0 | 65.7 | 56.1 | 58.2 | 58.0 | 62.9 | 66.4 | 58.0 | 59.1 | 58.9 | 63.8 | 67.1 |
| | S.C. | 54.1 | 49.2 | 42.6 | 41.9 | 33.0 | 56.1 | 52.1 | 44.9 | 43.7 | 34.1 | 58.0 | 54.9 | 47.2 | 45.5 | 35.1 |
| | KW | 3.43 | 3.46 | 3.45 | 3.47 | 3.48 | 3.51 | 3.54 | 3.53 | 3.55 | 3.56 | 3.59 | 3.62 | 3.61 | 3.63 | 3.64 |
| 75 | T.C. | 52.9 | 55.6 | 54.7 | 60.3 | 64.7 | 54.6 | 56.7 | 55.9 | 61.5 | 65.7 | 56.4 | 57.8 | 57.1 | 62.6 | 66.8 |
| | S.C. | 52.9 | 48.9 | 40.9 | 40.9 | 32.5 | 54.6 | 51.7 | 43.6 | 43.2 | 33.7 | 56.4 | 54.6 | 46.3 | 45.4 | 34.8 |
| | KW | 3.76 | 3.78 | 3.77 | 3.78 | 3.78 | 3.84 | 3.86 | 3.85 | 3.86 | 3.86 | 3.91 | 3.93 | 3.92 | 3.94 | 3.94 |
| 85 | T.C. | 50.4 | 53.2 | 52.1 | 57.9 | 62.4 | 52.1 | 54.2 | 53.4 | 58.7 | 63.3 | 53.7 | 55.1 | 54.7 | 59.6 | 64.1 |
| | S.C. | 50.4 | 47.4 | 39.6 | 39.9 | 31.5 | 52.1 | 50.2 | 42.3 | 42.1 | 32.6 | 53.7 | 52.9 | 45.0 | 44.2 | 33.8 |
| | KW | 4.22 | 4.25 | 4.25 | 4.24 | 4.23 | 4.30 | 4.32 | 4.31 | 4.31 | 4.30 | 4.37 | 4.39 | 4.38 | 4.39 | 4.38 |
| 95 | T.C. | 47.9 | 50.8 | 49.6 | 55.4 | 60.2 | 49.5 | 51.6 | 50.9 | 56.0 | 60.8 | 51.1 | 52.5 | 52.3 | 56.6 | 61.4 |
| | S.C. | 47.9 | 46.0 | 38.3 | 38.9 | 30.5 | 49.5 | 48.6 | 41.0 | 41.0 | 31.6 | 51.1 | 51.2 | 43.7 | 43.1 | 32.7 |
| | KW | 4.69 | 4.71 | 4.72 | 4.70 | 4.67 | 4.75 | 4.78 | 4.78 | 4.77 | 4.75 | 4.82 | 4.84 | 4.84 | 4.83 | 4.82 |
| 105 | T.C. | 46.0 | 47.7 | 46.1 | 52.4 | 57.0 | 47.5 | 48.6 | 47.5 | 53.0 | 57.4 | 49.0 | 49.6 | 48.8 | 53.6 | 57.8 |
| | S.C. | 46.0 | 44.5 | 36.4 | 37.6 | 29.1 | 47.5 | 46.9 | 39.0 | 39.7 | 30.2 | 49.0 | 49.3 | 41.7 | 41.8 | 31.4 |
| | KW | 5.49 | 5.51 | 5.51 | 5.47 | 5.41 | 5.52 | 5.56 | 5.57 | 5.53 | 5.48 | 5.56 | 5.61 | 5.63 | 5.58 | 5.56 |
| 115 | T.C. | 44.1 | 44.7 | 42.8 | 49.5 | 53.8 | 45.5 | 45.7 | 44.1 | 50.1 | 54.0 | 46.9 | 46.7 | 45.4 | 50.7 | 54.2 |
| | S.C. | 44.1 | 43.0 | 34.6 | 36.3 | 27.7 | 45.5 | 45.3 | 37.1 | 38.4 | 28.9 | 46.9 | 46.7 | 39.7 | 40.5 | 30.0 |
| | KW | 6.26 | 6.29 | 6.28 | 6.22 | 6.13 | 6.27 | 6.32 | 6.34 | 6.26 | 6.20 | 6.28 | 6.36 | 6.39 | 6.31 | 6.28 |
| 125 | T.C. | 42.3 | 41.8 | 39.4 | 46.5 | 50.7 | 43.6 | 42.8 | 40.7 | 47.2 | 50.7 | 44.9 | 43.9 | 42.0 | 47.8 | 50.7 |
| | S.C. | 42.3 | 41.6 | 32.7 | 35.0 | 26.4 | 43.6 | 42.8 | 35.2 | 37.1 | 27.5 | 44.9 | 43.9 | 37.8 | 39.3 | 28.7 |
| | KW | 7.03 | 7.07 | 7.05 | 6.96 | 6.84 | 7.02 | 7.08 | 7.10 | 7.00 | 6.92 | 7.00 | 7.10 | 7.15 | 7.04 | 7.00 |

ALL CAPACITIES INCLUDE INDOOR FAN HEAT. KW VALUES ARE FOR THE SYSTEM (OUTDOOR + INDOOR).

Green shaded cells are ACCA (TVA) conditions.

Blue shaded cells are AHRI conditions.

Multipliers for determining the performance with other indoor sections.

NOTE: For dry bulb temperatures different than those listed (between 73-87 °F), sensible capacity increases by 1060 BTUH per 1000 CFM per degree above the listed temperature and decreases by 1060 BTUH per 1000 CFM per degree below the listed temperature.

COIL MULTIPLIERS- 5 TON

| Air Handler | Coil | T.C. | S.C. | KW |
|-------------|-------------|------|------|------|
| – | CF/CM/CU60C | 1.00 | 1.00 | 1.00 |
| – | CF/CM/CU60D | 1.00 | 1.00 | 1.00 |
| – | CF/CM64D | 1.02 | 1.02 | 1.02 |
| AE60CX21 | – | 1.00 | 0.98 | 0.98 |
| AE60DX21 | – | 1.03 | 1.02 | 0.98 |
| AP60DX22 | – | 0.97 | 0.93 | 0.97 |
| AP60DX23 | – | 0.97 | 0.93 | 0.97 |
| AVC60CX21 | – | 1.01 | 1.01 | 0.99 |
| AVC60DX21 | – | 1.03 | 1.00 | 0.98 |
| ME16CN21 | CF/CM60C | 1.00 | 0.98 | 0.96 |
| ME20DN21 | CF/CM60D | 1.01 | 0.98 | 0.97 |
| ME20DN21 | CF/CM64D | 1.03 | 0.99 | 0.98 |
| MVC16CN21 | CF/CM60C | 1.02 | 0.99 | 0.94 |
| MVC20DN21 | CF/CM60D | 1.00 | 0.98 | 0.98 |
| MVC20DN21 | CF/CM64D | 1.02 | 0.99 | 0.98 |

FURNACE MULTIPLIERS- 5 TON

| Furnaces | Coil | T.C. | S.C. | KW |
|-----------------|-------------|------|------|------|
| TL8E080C16UH11 | CF/CM64D | 1.00 | 0.99 | 0.98 |
| TL8E100C20UH11 | CF/CM/CU60C | 0.98 | 0.98 | 0.98 |
| TL8E100C20UH11 | CF/CM64D | 1.02 | 1.01 | 0.98 |
| TL9E100C20UH11 | CF/CM/CU60C | 0.97 | 0.96 | 0.97 |
| TL9E100C20UH11 | CF/CM64D | 1.02 | 1.01 | 1.00 |
| TM8E080C16MP11 | CF/CM64D | 1.01 | 1.00 | 0.99 |
| TM8E080C20MP11 | CF/CM/CU60C | 0.98 | 0.96 | 0.98 |
| TM8E080C20MP11 | CF/CM64D | 1.01 | 1.00 | 0.97 |
| TM8E100C16MP11 | CF/CM64D | 1.01 | 1.00 | 0.99 |
| TM8E100C20MP11 | CF/CM64D | 1.01 | 0.99 | 0.97 |
| TM8E120C16MP11 | CF/CM64D | 1.01 | 1.00 | 0.99 |
| TM8E120C20MP11 | CF/CM64D | 1.01 | 0.99 | 0.97 |
| TM8E130D20MP11 | CF/CM64D | 1.02 | 1.02 | 0.98 |
| TM8V080C16MP11C | CF/CM/CU60D | 0.99 | 1.01 | 1.00 |
| TM8V080C16MP11C | CF/CM64D | 1.01 | 0.98 | 1.01 |
| TM8V080C16MP12C | CF/CM/CU60D | 0.99 | 1.01 | 1.00 |
| TM8V100C16MP11C | CF/CM/CU60D | 0.99 | 1.01 | 1.00 |
| TM8V100C16MP11C | CF/CM64D | 1.01 | 0.98 | 1.01 |
| TM8V100C16MP12C | CF/CM/CU60D | 0.99 | 1.01 | 1.00 |
| TM8V100C20MP11C | CF/CM/CU60C | 0.98 | 1.00 | 0.98 |
| TM8V100C20MP11C | CF/CM/CU60D | 0.99 | 1.00 | 0.97 |
| TM8V100C20MP12C | CF/CM/CU60C | 0.98 | 1.00 | 0.98 |
| TM8V100C20MP12C | CF/CM/CU60D | 0.99 | 1.00 | 0.97 |
| TM8V100C20MP12C | CF/CM64D | 0.99 | 0.98 | 0.95 |
| TM8V120C20MP11C | CF/CM/CU60C | 0.98 | 1.00 | 0.98 |
| TM8V120C20MP11C | CF/CM/CU60D | 0.99 | 0.96 | 0.99 |
| TM8V120C20MP12C | CF/CM/CU60C | 0.98 | 1.00 | 0.98 |
| TM8V120C20MP12C | CF/CM/CU60D | 0.99 | 1.00 | 0.97 |
| TM8V120C20MP12C | CF/CM64D | 0.99 | 0.98 | 0.95 |
| TM8X080C16MP11 | CF/CM/CU60D | 0.96 | 0.95 | 0.97 |
| TM8X080C16MP11 | CF/CM64D | 0.97 | 0.95 | 0.98 |
| TM8X100C16MP11 | CF/CM/CU60D | 0.96 | 0.95 | 0.97 |
| TM8X100C16MP11 | CF/CM64D | 0.97 | 0.95 | 0.98 |
| TM8X100C20MP11 | CF/CM/CU60C | 0.97 | 0.96 | 0.95 |
| TM8X100C20MP11 | CF/CM/CU60D | 0.98 | 0.99 | 0.96 |
| TM8X100C20MP11 | CF/CM64D | 0.99 | 0.96 | 0.95 |

FURNACE MULTIPLIERS- 5 TON (Continued)

| Furnaces | Coil | T.C. | S.C. | KW |
|-----------------|-------------|------|------|------|
| TM8X120C20MP11 | CF/CM/CU60C | 0.97 | 0.96 | 0.95 |
| TM8X120C20MP11 | CF/CM/CU60D | 0.98 | 0.99 | 0.96 |
| TM8X120C20MP11 | CF/CM64D | 0.99 | 0.96 | 0.95 |
| TM8Y080C16MP11 | CF/CM/CU60D | 0.96 | 0.95 | 0.97 |
| TM8Y080C16MP11 | CF/CM64D | 0.97 | 0.95 | 0.98 |
| TM8Y100C16MP11 | CF/CM/CU60D | 0.96 | 0.95 | 0.97 |
| TM8Y100C16MP11 | CF/CM64D | 0.97 | 0.95 | 0.98 |
| TM8Y100C20MP11 | CF/CM/CU60C | 0.97 | 0.96 | 0.95 |
| TM8Y100C20MP11 | CF/CM/CU60D | 0.98 | 0.99 | 0.96 |
| TM8Y100C20MP11 | CF/CM64D | 0.99 | 0.96 | 0.95 |
| TM8Y120C20MP11 | CF/CM/CU60C | 0.97 | 0.96 | 0.95 |
| TM8Y120C20MP11 | CF/CM/CU60D | 0.98 | 0.99 | 0.96 |
| TM8Y120C20MP11 | CF/CM64D | 0.99 | 0.96 | 0.95 |
| TM9E080C20MP12 | CF/CM64D | 1.03 | 1.06 | 1.01 |
| TM9E100C20MP11 | CF/CM/CU60C | 0.96 | 0.95 | 0.97 |
| TM9E100C20MP11 | CF/CM/CU60D | 0.97 | 0.96 | 0.97 |
| TM9E100C20MP11 | CF/CM64D | 0.98 | 0.98 | 0.98 |
| TM9E100C20MP12 | CF/CM64D | 1.01 | 0.99 | 0.97 |
| TM9E120D20MP11 | CF/CM/CU60D | 0.98 | 0.99 | 0.96 |
| TM9E120D20MP11 | CF/CM64D | 0.99 | 0.99 | 0.99 |
| TM9E120D20MP12 | CF/CM64D | 1.02 | 1.01 | 1.00 |
| TM9V080C16MP11C | CF/CM/CU60C | 0.99 | 0.98 | 0.99 |
| TM9V080C16MP11C | CF/CM64D | 1.02 | 0.99 | 1.00 |
| TM9V100C16MP11C | CF/CM/CU60C | 0.97 | 0.98 | 0.97 |
| TM9V100C16MP11C | CF/CM/CU60D | 0.98 | 0.99 | 0.98 |
| TM9V100C16MP11C | CF/CM64D | 1.00 | 0.99 | 0.98 |
| TM9V100C16MP12C | CF/CM/CU60C | 0.97 | 0.98 | 0.97 |
| TM9V100C16MP12C | CF/CM/CU60D | 0.98 | 0.99 | 0.98 |
| TM9V100C16MP12C | CF/CM64D | 1.00 | 0.99 | 0.98 |
| TM9V100C20MP11C | CF/CM/CU60C | 0.98 | 0.99 | 0.99 |
| TM9V100C20MP11C | CF/CM64D | 1.00 | 0.99 | 1.00 |
| TM9V100C20MP12C | CF/CM/CU60C | 0.98 | 0.99 | 0.99 |
| TM9V100C20MP12C | CF/CM64D | 1.00 | 0.99 | 1.00 |
| TM9V120D20MP11C | CF/CM/CU60D | 0.98 | 0.99 | 0.98 |
| TM9V120D20MP11C | CF/CM64D | 0.99 | 0.99 | 0.99 |
| TM9V120D20MP12C | CF/CM/CU60D | 0.98 | 0.99 | 0.98 |
| TM9V120D20MP12C | CF/CM64D | 0.99 | 0.99 | 0.99 |
| TM9Y100C20MP11 | CF/CM/CU60C | 0.96 | 0.95 | 0.97 |
| TM9Y100C20MP11 | CF/CM/CU60D | 0.97 | 0.96 | 0.97 |
| TM9Y100C20MP11 | CF/CM64D | 0.98 | 0.98 | 0.98 |
| TM9Y120D20MP11 | CF/CM/CU60D | 0.98 | 0.99 | 0.96 |
| TM9Y120D20MP11 | CF/CM64D | 0.99 | 0.99 | 0.99 |
| TMLV080C16MP11C | CF/CM/CU60D | 0.99 | 1.01 | 1.00 |
| TMLV080C16MP11C | CF/CM64D | 1.01 | 0.98 | 1.01 |
| TMLV080C16MP12C | CF/CM/CU60D | 0.99 | 1.01 | 1.00 |
| TMLV100C16MP11C | CF/CM/CU60D | 0.99 | 1.01 | 1.00 |
| TMLV100C16MP11C | CF/CM64D | 1.01 | 0.98 | 1.01 |
| TMLV100C16MP12C | CF/CM/CU60D | 0.99 | 1.01 | 1.00 |
| TMLV100C20MP11C | CF/CM/CU60C | 0.98 | 1.00 | 0.98 |
| TMLV100C20MP11C | CF/CM/CU60D | 0.99 | 0.96 | 0.99 |
| TMLV100C20MP12C | CF/CM/CU60C | 0.98 | 1.00 | 0.98 |
| TMLV100C20MP12C | CF/CM/CU60D | 0.99 | 1.00 | 0.97 |
| TMLV100C20MP12C | CF/CM64D | 0.99 | 0.98 | 0.95 |
| TMLV120C20MP11C | CF/CM/CU60C | 0.98 | 1.00 | 0.98 |
| TMLV120C20MP11C | CF/CM64D | 0.99 | 0.96 | 0.99 |

FURNACE MULTIPLIERS- 5 TON (Continued)

| Furnaces | Coil | T.C. | S.C. | KW |
|-----------------|-------------|------|------|------|
| TMLV120C20MP12C | CF/CM/CU60C | 0.98 | 1.00 | 0.98 |
| TMLV120C20MP12C | CF/CM/CU60D | 0.99 | 1.00 | 0.97 |
| TMLV120C20MP12C | CF/CM64D | 0.99 | 0.98 | 0.95 |
| TMLX080C16MP11 | CF/CM/CU60D | 0.96 | 0.95 | 0.97 |
| TMLX080C16MP11 | CF/CM64D | 0.97 | 0.95 | 0.98 |
| TMLX100C16MP11 | CF/CM/CU60D | 0.96 | 0.95 | 0.97 |
| TMLX100C16MP11 | CF/CM64D | 0.97 | 0.95 | 0.98 |
| TMLX100C20MP11 | CF/CM/CU60C | 0.97 | 0.96 | 0.95 |
| TMLX100C20MP11 | CF/CM/CU60D | 0.98 | 0.99 | 0.96 |
| TMLX100C20MP11 | CF/CM64D | 0.99 | 0.96 | 0.95 |
| TMLX120C20MP11 | CF/CM/CU60C | 0.97 | 0.96 | 0.95 |
| TMLX120C20MP11 | CF/CM/CU60D | 0.98 | 0.99 | 0.96 |
| TMLX120C20MP11 | CF/CM64D | 0.99 | 0.96 | 0.95 |
| TP9C080C16MP12C | CF/CM/CU60C | 0.99 | 0.98 | 0.99 |
| TP9C080C16MP12C | CF/CM64D | 1.02 | 0.99 | 1.00 |
| TP9C100C16MP12C | CF/CM/CU60C | 0.97 | 0.98 | 0.97 |
| TP9C100C16MP12C | CF/CM/CU60D | 0.98 | 0.99 | 0.98 |
| TP9C100C16MP12C | CF/CM64D | 1.00 | 0.99 | 0.98 |
| TP9C100C16MP13C | CF/CM/CU60C | 0.97 | 0.98 | 0.97 |
| TP9C100C16MP13C | CF/CM/CU60D | 0.98 | 0.99 | 0.98 |
| TP9C100C16MP13C | CF/CM64D | 1.00 | 0.99 | 0.98 |
| TP9C100C20MP12C | CF/CM/CU60C | 0.98 | 0.99 | 0.99 |
| TP9C100C20MP12C | CF/CM64D | 1.00 | 0.99 | 1.00 |
| TP9C100C20MP13C | CF/CM/CU60C | 0.98 | 0.99 | 0.99 |
| TP9C100C20MP13C | CF/CM64D | 1.00 | 0.99 | 1.00 |
| TP9C120D20MP12C | CF/CM/CU60D | 1.01 | 1.01 | 1.01 |
| TP9C120D20MP12C | CF/CM64D | 1.02 | 1.02 | 1.02 |
| TP9C120D20MP13C | CF/CM/CU60D | 0.98 | 0.99 | 0.98 |
| TP9C120D20MP13C | CF/CM64D | 0.99 | 0.99 | 0.99 |
| TPLC080C16MP12C | CF/CM/CU60D | 0.99 | 1.01 | 1.00 |
| TPLC080C16MP12C | CF/CM64D | 1.01 | 0.98 | 1.01 |
| TPLC080C16MP13C | CF/CM/CU60D | 0.99 | 1.01 | 1.00 |
| TPLC100C16MP12C | CF/CM/CU60D | 0.99 | 1.01 | 1.00 |
| TPLC100C16MP12C | CF/CM64D | 1.01 | 0.98 | 1.01 |
| TPLC100C16MP13C | CF/CM/CU60D | 0.99 | 1.01 | 1.00 |
| TPLC100C20MP12C | CF/CM/CU60C | 0.98 | 1.00 | 0.98 |
| TPLC100C20MP12C | CF/CM/CU60D | 0.99 | 0.96 | 0.99 |
| TPLC100C20MP13C | CF/CM/CU60C | 0.98 | 1.00 | 0.98 |
| TPLC100C20MP13C | CF/CM/CU60D | 0.99 | 1.00 | 0.97 |
| TPLC100C20MP13C | CF/CM64D | 0.99 | 0.98 | 0.95 |

FURNACE MULTIPLIERS- 5 TON (Continued)

| Furnaces | Coil | T.C. | S.C. | KW |
|-----------------|-------------|------|------|------|
| TPLC120C20MP12C | CF/CM/CU60C | 0.98 | 1.00 | 0.98 |
| TPLC120C20MP12C | CF/CM/CU60D | 0.99 | 0.96 | 0.99 |
| TPLC120C20MP13C | CF/CM/CU60C | 0.98 | 1.00 | 0.98 |
| TPLC120C20MP13C | CF/CM/CU60D | 0.99 | 1.00 | 0.97 |
| TPLC120C20MP13C | CF/CM64D | 0.99 | 0.98 | 0.95 |
| YP9C080C16MP12C | CF/CM/CU60C | 0.99 | 0.98 | 0.99 |
| YP9C080C16MP12C | CF/CM64D | 1.02 | 0.99 | 1.00 |
| YP9C100C16MP12C | CF/CM/CU60C | 0.97 | 0.98 | 0.97 |
| YP9C100C16MP12C | CF/CM/CU60D | 0.98 | 0.99 | 0.98 |
| YP9C100C16MP12C | CF/CM64D | 1.00 | 0.99 | 0.98 |
| YP9C100C16MP13C | CF/CM/CU60C | 0.97 | 0.98 | 0.97 |
| YP9C100C16MP13C | CF/CM/CU60D | 0.98 | 0.99 | 0.98 |
| YP9C100C16MP13C | CF/CM64D | 1.00 | 0.99 | 0.98 |
| YP9C100C20MP12C | CF/CM/CU60C | 0.98 | 0.99 | 0.99 |
| YP9C100C20MP12C | CF/CM64D | 1.00 | 0.99 | 1.00 |
| YP9C100C20MP13C | CF/CM/CU60C | 0.98 | 0.99 | 0.99 |
| YP9C100C20MP13C | CF/CM64D | 1.00 | 0.99 | 1.00 |
| YP9C120D20MP12C | CF/CM/CU60D | 0.98 | 0.99 | 0.98 |
| YP9C120D20MP12C | CF/CM64D | 0.99 | 0.99 | 0.99 |
| YP9C120D20MP13C | CF/CM/CU60D | 0.98 | 0.99 | 0.98 |
| YP9C120D20MP13C | CF/CM64D | 0.99 | 0.99 | 0.99 |
| YPLC080C16MP12C | CF/CM/CU60D | 0.99 | 1.01 | 1.00 |
| YPLC080C16MP12C | CF/CM64D | 1.01 | 0.98 | 1.01 |
| YPLC080C16MP13C | CF/CM/CU60D | 0.99 | 1.01 | 1.00 |
| YPLC100C16MP12C | CF/CM/CU60D | 0.99 | 1.01 | 1.00 |
| YPLC100C16MP12C | CF/CM64D | 1.01 | 0.98 | 1.01 |
| YPLC100C16MP13C | CF/CM/CU60D | 0.99 | 1.01 | 1.00 |
| YPLC100C20MP12C | CF/CM/CU60C | 0.98 | 1.00 | 0.98 |
| YPLC100C20MP12C | CF/CM/CU60D | 0.99 | 1.00 | 0.97 |
| YPLC100C20MP13C | CF/CM/CU60C | 0.98 | 1.00 | 0.98 |
| YPLC100C20MP13C | CF/CM/CU60D | 0.99 | 1.00 | 0.97 |
| YPLC100C20MP13C | CF/CM64D | 0.99 | 0.98 | 0.95 |
| YPLC120C20MP12C | CF/CM/CU60C | 0.98 | 1.00 | 0.98 |
| YPLC120C20MP12C | CF/CM/CU60D | 0.99 | 1.00 | 0.97 |
| YPLC120C20MP13C | CF/CM/CU60C | 0.98 | 1.00 | 0.98 |
| YPLC120C20MP13C | CF/CM/CU60D | 0.99 | 1.00 | 0.97 |
| YPLC120C20MP13C | CF/CM64D | 0.99 | 0.98 | 0.95 |

NOTES