

R7284B,P,U,G Electronic Oil Primary, EnviraCOM™ Enabled

INSTALLATION INSTRUCTIONS

APPLICATION

The R7284B,P,U,G Electronic Oil Primary is a line voltage, safety rated, interrupted and intermittent ignition oil primary control for residential oil fired burners used in boilers, forced air furnaces and water heaters. The R7284B,P,U,G used with a cad cell flame sensor operates an oil burner, spark igniter, and optional oil valve. The control works with a low voltage and optional high voltage thermostat. The primary controls fuel oil, senses flame, controls ignition spark (either interrupted or intermittent) and notifies through the EnviraCOM™ bus a remote alarm circuit when in lockout.

The R7284 Series of Oil Primary Controls can be used with both hydronic and forced air systems. When used with hydronic systems, line voltage switching Aquastat® Controllers normally provide for the starting and stopping of the combustion sequences. With forced air systems, both mechanical and electronic low voltage thermostats control the starting and stopping of the combustion process.

Some hydronic and forced air systems require a delayed valve-on and burner motor-off delay. The R7284 operates an oil valve that prevents the flow of oil when the burner motor is running prior to combustion (delayed valve-on) and when the burner motor is running after combustion (burner motor-off delay).

The R7284 models are intended for use only on oil burning appliances which do not require prepurge and post-purge as a safety related function as defined in UL296. The valve-on delay and burner motor-off delay in this control are intended only to help establish draft and reduce oil after-drip related problems.

EnviraCOM™ enabled R7284's can be used with EnviraLink® remote monitoring systems and hand-held diagnostics. Use only R7284P and U models for networking with other EnviraCOM™ enabled devices.

FEATURES

User Interface

There are two user interfaces: basic and advanced. Both interfaces consist of three buttons: ▲, ▼, and "i."

The advanced interface has a two-line display used to configure device parameters, retrieve diagnostic information, and display system status.

The basic interface has a single LED used to display error codes and system status.

In general, the "i" button cycles through the display options and acts as an "enter" key (in setup modes).

Thermostat(s)

The oil primaries are compatible with both standard thermostats and EnviraCOM™ communicating thermostats.

Limited Recycle

This feature limits the number of recycle trials (for each call for heat) to a maximum of three trials. If the flame is lost three times and does not successfully satisfy a call for heat, the R7284 locks out.

Pump Priming Cycle

To facilitate purging air from the oil lines and filters, the R7284 can be placed in a purge routine by pressing and releasing the up arrow button during the Trial For Ignition.

In the advanced interface "PUMP PRIME" is displayed on the display along with the time left on the Trial for Ignition (TFI). Pressing the up arrow button adds a minute to the TFI time for a maximum of 10 additional minutes (press the up arrow button 10 times). Pressing the down arrow button subtracts a minute from the TFI time.

There is no visual indication for the basic interface control and the purge timing is limited to five minutes.

Disable Function

Pressing and holding the "i" button will disable all control functions until 3 seconds after the button is released.

Lockout Modes

The R7284 has three types of lockout modes that are entered when an error is encountered:



- **Soft Lockout:** Caused by a temporary internal error such as low voltage. The control recovers automatically after the error is no longer detected.
- **Hard Lockout:** Caused by a failure internal to the control or by a system fault such as flame out of sequence. A Hard Lockout will result in a no heat condition. To reset from Hard Lockout press and hold the "I" button for 2 seconds.
- **Restricted Lockout:** Caused by a number of consecutive hard lockouts on the same heat cycle. To reset from a Restricted Lockout press and hold the "I" button for ten seconds.

NOTE: Some models have adjustable Valve-on Delay, Burner Off Delay, and Lockout timings.

Electrical Ratings:

Inputs:

Voltage: 102 to 132 Vac, 120 Vac nominal.
Current: 0.5A plus burner motor, valve and igniter loads.

Frequency: 60 Hz.

Outputs:

Relay Contacts:

Burner: 120 Vac, 10 full load amperes (FLA), 60 locked rotor amperes (LRA).

Valve: 120 Vac, 1A.

Igniter: 120 Vac, 3 A.

Low Voltage Shutdown: 80 Vac

Thermostat Current Available: 100 mA.

EnviraCOM™ Current Available: 150 mA.

NOTE: Reduce burner FLA rating by igniter load. For example, if the igniter draws 3A (120 Vac, 360 VA), reduce the burner motor FLA to 7A.

Cad Cell Resistance

Cad cell resistance can be checked without using an ohm meter.

Basic Interface:

Press and release the "I" button. The resulting flashes indicate the resistance. See Table 3.

Advanced Interface:

The cad cell resistance is shown on the display.

Valve-on Delays/Blower Motor-off Delays

Select models may have fixed or adjustable delays for valve open or blower motor off. The safety circuits will check for flame during these delays and, if a flame is present, will switch the control to lockout.

Typical Component Wire Color Code:

White: Neutral.

Black: Line.

Orange: Motor.

Blue or Blue w/White Stripe: Igniter.

Violet: Valve.

Red: Limit.

NOTE: The R7284 is provided with 1/4" quick-connect terminals.

SPECIFICATIONS

Models:

Table 1 lists the major features for the R7284.

Timing:

Valve-on Delay: 0–30 seconds

Burner Off Delay: 0–8 minutes

Lockout: 15, 30 or 45 seconds.

Recycle: 60 seconds (fixed).

Ignition Carryover: 10 seconds (fixed).

Environmental Ratings:

Operating/Shipping Temperature: -40°F to +150°F (-40°C to +66°C).

Display text may not be visible below -4°F (-20°C)

Humidity: 0% to 95% relative humidity at 104°F (40°C), noncondensing.

Accessories:

W8735S3000 Alarm Module

Approvals:

Underwriters Laboratories Inc.: Recognized (File MP268).

Canadian Underwriters Laboratories Inc.

Table 1. R7284 Models.

Model	Limit	Valve	Notes
R7284B	No	Yes	Valve on delay only
R7284G	No	No	No on/off delays, intermittent ignition (wire igniter together with motor)
R7284P	Yes	Yes	On and off delays
R7284U	Yes	Yes	On and off delays

INSTALLATION

When Installing This Product...

1. Read these instructions carefully. Failure to follow instructions can damage the product or cause a hazardous condition.
2. Check ratings given in these instructions and on the product to make sure the product is suitable for your application.
3. Make sure the installer is a trained, experienced service technician.

4. Use these instructions to check out the product operation after installation.

WARNING

Electrical Shock Hazard.

Can cause severe injury, death or property damage.

Disconnect power supply before beginning installation to prevent electrical shock or equipment damage. More than one disconnect may be involved.

Location

1. Mount on a 4 in. by 4 in. junction box, directly on the main burner, or inside the appliance cabinet. In replacement applications, mount in the same location as the old control. See Fig. 1. Make sure the operating temperatures are within the ambient temperature range (see Specifications section).
2. Before mounting the control, make line voltage connections as shown in Fig. 2 through 10. Splice lines with solderless connectors. Do not exceed load ratings shown on the device label.
3. If necessary, use the control as a template to mark and drill new mounting holes.
4. Mount the device using No. 6 screws (not included).

WIRING

⚠ WARNING

Electrical Shock Hazard.
Can cause severe injury, death or property damage.

Disconnect power supply before beginning wiring to prevent electrical shock or equipment damage. More than one disconnect may be involved.

1. Make sure wiring complies with all local codes and ordinances.
2. Check to make sure that line voltage wiring is properly connected. Refer to oil primary label and appliance wiring diagram for color codes.
3. After mounting make low voltage connections to the screw terminals (see Fig. 2 through 10).
4. Strip leads 3/8 in. (10 mm) and insert under terminal screw.
5. Connect thermostat leads to T-T (or 1, 2, 3 if EnviraCOM™ is present), if required by installation.

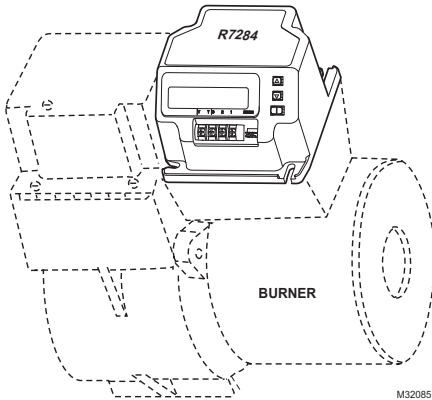


Fig. 1. Mounting R7284 on junction box.

CHECKOUT

Start System

⚠ WARNING

Fire or Explosion Hazard.
Can cause severe injury, death or property damage.

Make sure the combustion chamber is free of oil and/or oil vapor before starting system.

1. Open hand valve in oil supply line.
2. Make sure system is powered. Check circuit breaker or fuse and close system switch, if provided.
3. Set thermostat to call for heat.
4. Make sure burner lights and operates until call for heat ends. Note cad cell resistance while running.
5. Verify that burner turns off when thermostat call for heat is satisfied.

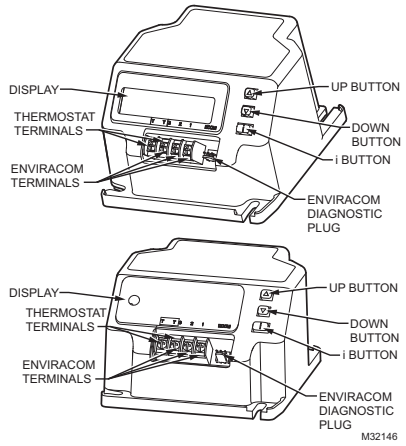


Fig. 2. R7284 terminals, connectors, LED, reset button and DIP switch locations.

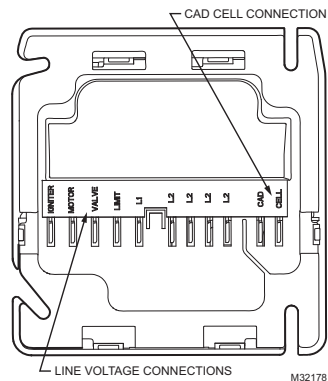


Fig. 3. R7284 wiring connections.

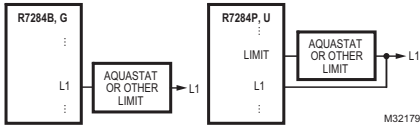


Fig. 4. R7284 Limit wiring for line voltage thermostat, Aquastat, or other Limit.

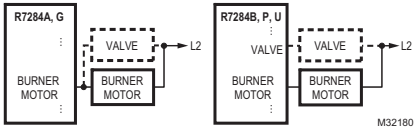


Fig. 5. R7284 wiring for optional oil valve.

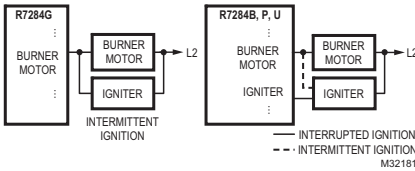
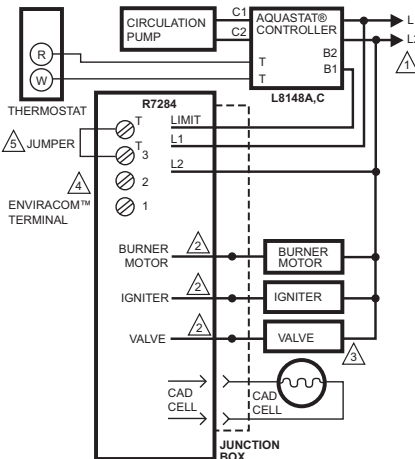
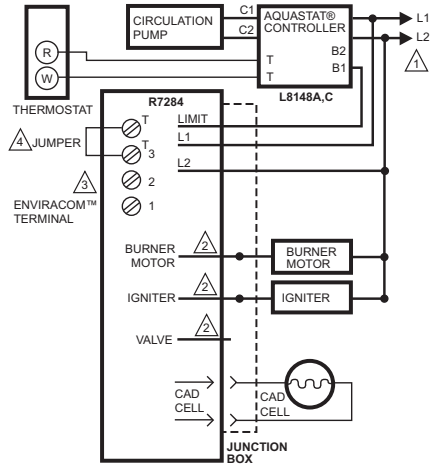


Fig. 6. R7284 igniter wiring.



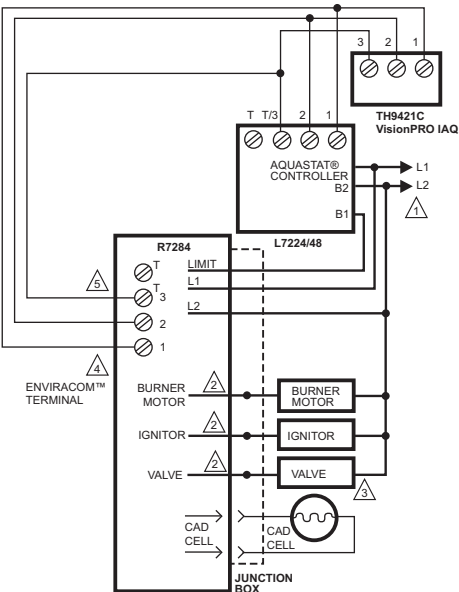
LEGEND: ○ SCREW TERMINAL → 1/4 IN. QUICK CONNECT TERMINAL ● SOLDERLESS WIRE CONNECTOR
 ⚠ POWER SUPPLY. PROVIDE DISCONNECT MEANS AND OVERLOAD PROTECTION AS REQUIRED.
 ⚠ REFER TO DEVICE LABEL FOR WIRE COLOR CODE.
 ⚠ VALVE IS OPTIONAL ON SPECIFIC MODELS.
 ⚠ ENVIRACOM™ TERMINAL 3 IS ALSO THE FIRST THERMOSTAT TERMINAL.
 ⚠ THE JUMPER MAY BE OMITTED IF THE R7284 IS CONFIGURED TO IGNORE THE TT TERMINALS. M32182

Fig. 7. Wiring R7284P,U without EnviraCOM™, for typical oil-fired boiler.



LEGEND: ○ SCREW TERMINAL → 1/4 IN. QUICK CONNECT TERMINAL ● SOLDERLESS WIRE CONNECTOR
 ⚠ POWER SUPPLY. PROVIDE DISCONNECT MEANS AND OVERLOAD PROTECTION AS REQUIRED.
 ⚠ REFER TO DEVICE LABEL FOR WIRE COLOR CODE.
 ⚠ ENVIRACOM™ TERMINAL 3 IS ALSO THE FIRST THERMOSTAT TERMINAL.
 ⚠ THE JUMPER MAY BE OMITTED IF THE R7284 IS CONFIGURED TO IGNORE THE TT TERMINALS. M32191

Fig. 8. Wiring R7284U without EnviraCOM™, for typical oil-fired boiler.



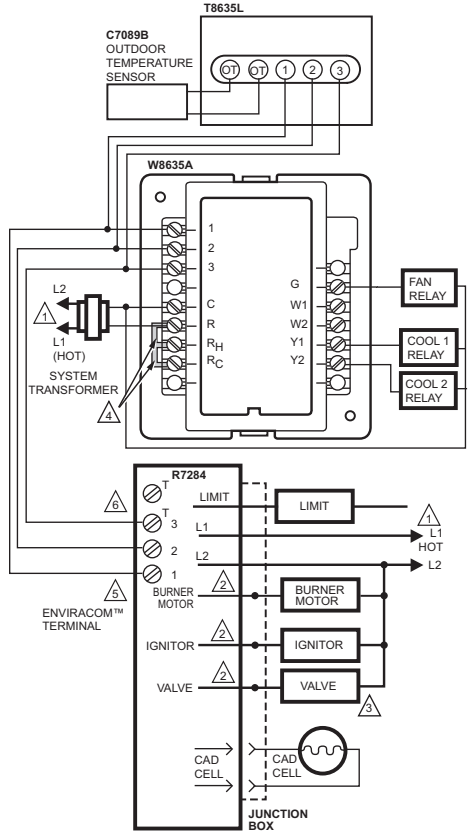
LEGEND: ○ SCREW TERMINAL → 1/4 IN. QUICK CONNECT TERMINAL
● SOLDERLESS WIRE CONNECTOR

- 1 POWER SUPPLY. PROVIDE DISCONNECT MEANS AND OVERLOAD PROTECTION AS REQUIRED.
- 2 REFER TO DEVICE LABEL FOR WIRE COLOR CODE.
- 3 VALVE IS OPTIONAL ON SPECIFIC MODELS.
- 4 ENVIRACOM™ TERMINAL 3 IS ALSO THE FIRST THERMOSTAT TERMINAL.
- 5 DO NOT CONNECT THE JUMPER ACROSS THE TT TERMINALS OR CONFIGURE THE INTERNAL TT SETTING TO "YES" WHEN THE OIL PRIMARY AND AQUASTAT ARE CONNECTED VIA THE ENVIRACOM BUS. M32183A

Fig. 9. Wiring R7284P,U with EnviraCOM™ connections, for typical oil-fired boiler.

IMPORTANT

When the R7284 Oil Primary is communicating to the L7224/L7248 Aquastat via the EnviraCOM bus, do not jumper the TT terminals or configure the internal TT setting to "YES". Improper burner operation will result.



LEGEND: ○ SCREW TERMINAL → 1/4 IN. QUICK CONNECT TERMINAL
● SOLDERLESS WIRE CONNECTOR

- 1 POWER SUPPLY. PROVIDE DISCONNECT MEANS AND OVERLOAD PROTECTION AS REQUIRED.
- 2 REFER TO DEVICE LABEL FOR WIRE COLOR CODE.
- 3 VALVE IS OPTIONAL ON SPECIFIC MODELS.
- 4 FACTORY INSTALLER JUMPERS.
- 5 ENVIRACOM™ TERMINAL 3 IS ALSO THE FIRST THERMOSTAT TERMINAL.
- 6 DO NOT CONNECT THE JUMPER ACROSS THE TT TERMINALS OR CONFIGURE THE INTERNAL TT SETTING TO "YES" WHEN THE OIL PRIMARY AND AQUASTAT ARE CONNECTED VIA THE ENVIRACOM BUS. M32184B

Fig. 10. Typical wiring diagram for EnviraCOM™ enabled thermostat and R7284P,U for an oil-fired forced-air system.

IMPORTANT

System as shown in Fig. 10 is phase/polarity sensitive. Make sure all input power is in the same phase.

ADVANCED USER INTERFACE

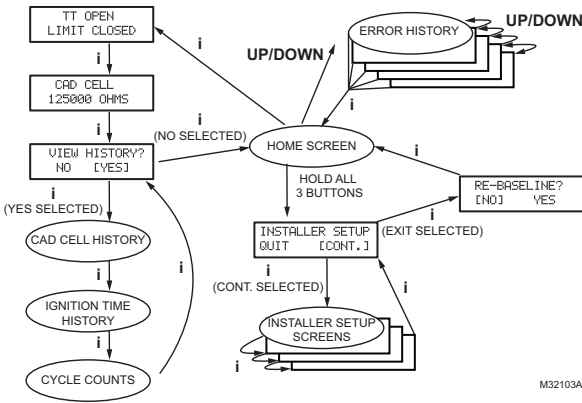


Fig. 11. User interface overview.

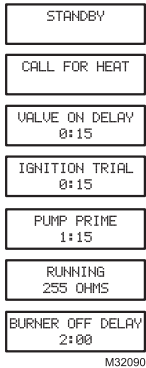
Home Screens

Pressing the "i" button longer than 2 seconds in states other than Standby Interrupts control operation.

Once the held key is released the count down begins.

- Holding all 3 buttons longer than 2 seconds in any state goes to Installer Setup (ISU).
- Pressing "i" in any state enters the Diagnostic screen (if diagnostics are enabled).
- Pressing up or down in any screen enters Error History (if diagnostics are enabled).

Below is a typical progression of screens through a normal cycle.

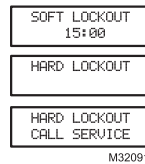


M32090

Pressing up or down during the Ignition Trial enters pump prime.

Each press of the up button adds a minute, each press of the down button subtracts a minute from the pump prime time.

If at any point there is an event generating a lockout, one of the following screens will be displayed.



M32091

Control is in Soft Lockout. Control will recover when error clears or after specified time.

Control is in Hard Lockout. Hold "i" for at least 2 seconds to reset.

Hold the "i" button longer than 10 seconds to return to Standby.

Installer Setup

Installer setup is entered by pushing all three buttons simultaneously for 2 seconds.

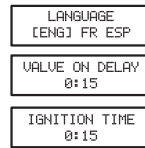


M32092

If QUIT is selected, an "i" button press displays the Re-baseline option.

If CONT is selected, an "i" button press goes to "Installer Setup".

NOTE: Not all parameters are adjustable in all models. Parameters not available for adjustment will display "Locked" when an attempt is made to modify them.



M32093

Select between English, French, or Spanish by using the up or down buttons and the "i" button to select

Adjustment of the Valve On Delay in five second increments.

Ignition (lockout) Time adjustment.

NOTE: The Ignition Time is only available for adjustment during the first 100 cycles of operation. After 100 cycles the Ignition Time is locked in and can no longer be adjusted.

BURNER OFF DELAY
2:00

Adjustment of the Burner Off Delay.

TT CONFIGURED ON
ENDJ YES

Configuration of the TT terminals vs. an "internal jumper." Configure the TT setting to "NO" when connecting the oil primary to the L7224/L7248 Aquastat® via the EnviraCOM bus terminals 1, 2, 3.

SPARK IN ON DLY
ENDJ YES

Controls sparking during On Delay period.

SPARK DURING RUN
ENDJ YES

Controls sparking during Run mode (Interrupted vs. Intermittent ignition).

ALLOWED RESETS
0 1 [3] NOLIM

Number of resets allowed before Restricted Lockout

APPLIANCE TYPE
[BLR] FURN WH

Appliance configuration (boiler, furnace, water heater) for EnviraCOM™.

SHOW DIAGNOSTICS
ENDJ YES

Enable advanced diagnostics mode and error history.

INSTALLER SETUP
[QUIT] CONT.

Exit installer setup

RE-BASELINE?
ENDJ YES

If "QUIT" is selected, the user is prompted with a screen asking if it is desired to re-baseline the control.

M32101

Baselining the control is intended as a means to save performance data at the time when the control is operating optimally. The baseline values are a "trend" of the first 500 cycles following an installation or a command to "re-baseline" and is provided as a method to compare present burner performance to that when the burner was initially installed or serviced. Using the baseline data, it is possible to monitor the burner system for degradation and allow a service person to address any issues before they result in a no-heat situation. After performing the service it may be desired to reset the baseline through the installer setup menu.

NOTE: Re-baselining will establish new baseline values for CAD cell and Ignition Time going forward. It will also reset the "Cycles Since Baseline", "Lockouts Since Baseline", and "Recycles Since Baseline" counters back to zero.

TT OPEN
LIMIT OPEN

Displays the status of the TT and Limit inputs. Note that "TT Remote" means EnviraCOM™ is commanding the R7284 to behave opposite the status of the TT terminals.

M32094

Press "i" to go to the next screen

CAD CELL
75.265 OHMS

Current value of the CAD cell. Press "i" to go to the next screen

VIEW HISTORY?
ENDJ YES

If NO is selected, "i" returns to the home screen

M32102

If YES is selected, "i" continues through diagnostic screens.

The history screens can provide useful information about the controls past performance, including its recent history such as cycle trends (using the baseline function) and total cycles since installation.

View History

From the Diagnostic screen scroll to the View History screen and select YES. Scroll through the performance data by using the up or down buttons.

CAD CELL

The CAD Cell screen automatically scrolls 4 screens.

LAST CYCLE
200 OHMS

Average CAD cell value during last cycle

LAST 10 CYCLES
250 OHMS

CAD cell trend over the last 10 cycles.

BASELINE
200 OHMS

CAD cell trend over the first 500 cycles

M32095

Pressing "i" during any of the CAD cell screens moves to the Ignition Time screens below.

IGNITION TIME

The Ignition Time screen automatically scrolls through 4 screens.

LAST CYCLE
11 SECONDS

Last Ignition Time.

LAST 10 CYCLES
11 SECONDS

Ignition Time trend over the last 10 cycles. Ignition

BASELINE
8 SECONDS

Time trend over the first 500 cycles.

M32096

Pressing "i" during any of the ignition time screens moves to the Cycle Count screen below.

187432
BURNER CYCLES

Total burner cycles.

8768 CYCLES
SINCE BASELINE

Burner cycles since last service (baseline reset).

5 RECYCLES
SINCE BASELINE

Flame losses since last service (baseline reset).

2 LOCKOUTS
SINCE BASELINE

Ignition failures since last service (baseline reset).

M32097

The next press goes back to the View History screen where the user can exit to the home screen or loop back through the performance history again.

Error History Screens

For all Error History screens, pressing "i" returns to the Normal Screen.

ERROR HISTORY
START

M32098

From the home screen, press the up button to display most recent error.

ERROR 1

NO IGNITION

ON LAST CYCLE

M32099

Press the up button again to proceed to the next most recent error or the down button to return to the previous error screen.

ERROR 2

EXCEEDED
MAX RECYCLES

5 CYCLES AGO

M32100

These three screens transition every 3 sec.

If no more errors are logged, the display shows "Error History End."

BASIC USER INTERFACE

The basic user interface consists of 3 buttons and an LED. Simple diagnostic information can be obtained through the interaction of the buttons and LED.

R7284 Status (Basic Interface)

Table 2. LED Codes.

Description	LED Code
Standby	Pulse (1/4 sec. ON, 4 sec OFF)
Call for Heat	Heartbeat (1/2 sec bright, 1/2 sec dim)
Flame proven	On solid
Recycle	2 second ON, 2 second OFF flashing
Lockout	1/2 second on, 1/2 second OFF flashing
Interrupt	OFF
"i" button	Flame Strength Indication
Up button	Most recent error
Down button	Next most recent error

R7284 Flame Strength (Basic Interface)

During normal operation and when the R7284 is in the Running state, the LED will show CAD cell resistance. See Table 3.

Table 3. Flame Strength Indication.

Flame Strength Indication	Number of 1/2 sec flashes
Cad Cell less than 400Ω	1
400Ω < Cad Cell < 800Ω	2
800Ω < Cad Cell < 1600Ω	3
1600Ω < Cad Cell < 6100Ω	4
Cad Cell > 6100Ω	None

Error History (Basic Interface)

The last two errors are available for display on the LED:

- Pressing the up arrow button displays the most recent error.
- Pressing the down arrow button displays the next most recent error.

Once the up or down arrow is pushed, the LED will display the most recent or next most recent alarm by blinking the error code. See Table 4.

R7284 Error Codes (Basic Interface)

Table 4. Error Codes.

Error Codes	Number of 1/4 sec flashes
No ignition / Late ignition	1
Max flame losses / Cad Cell high while running	2

Table 4. Error Codes.

Error Codes	Number of 1/4 sec flashes
Flame out of sequence	3
Low Voltage / EnviraCOM™ error	4
Internal Error	5

TROUBLESHOOTING AND MAINTENANCE

IMPORTANT

Due to the potential hazard of line voltage, only a trained, experienced service technician should perform the troubleshooting procedures.

This control contains no field-serviceable parts. Do not attempt to take it apart. Replace entire control if operation is not as described.

To completely troubleshoot an oil burner installation, check the burner and oil primary control for proper operation and condition.

Cad Cell Resistance Check

For proper operation, it is important that the cad cell resistance is below 1600 ohms. On the basic model with LED interface, during a normal call for heat, once the control has entered the Run mode, press and release the "i" button.

On the advanced model with display, follow the screen diagnostic procedure to read the cad cell resistance.

Preliminary Steps

- Check wiring connections and power supply.
- Make sure power is on to controls.
- Make sure limit control is closed.
- Check contacts between igniter and the electrodes.
- Check the oil pump pressure.
- Check the piping to the oil tank.
- Check the oil nozzle, oil supply and oil filter.

Check Oil Primary Control

If the trouble is not in the burner or ignition hardware, check the oil primary control by using the following equipment:

- Screwdriver.
- Voltmeter (0 to 150 Vac range).
- Insulated jumper wire with both ends stripped.

WARNING

Electrical Shock Hazard.
Can cause severe injury, death or property damage.

Troubleshoot with the system powered. Be careful to observe all precautions to prevent electrical shock or equipment damage.

Table 5. R7284 Operation.

External Action	R7284 Action
Power applied to control.	Internal safety check conducted. If no light or flame is detected and all internal conditions are correct, control enters Standby Mode.
Thermostat or Aquastat® Control calls for heat.	<ol style="list-style-type: none"> 1. Safety Period (5 seconds) internal and external check for flame or light. If flame or light is detected, control remains in the Standby Mode. 2. When flame or light is not present: <ol style="list-style-type: none"> a. R7284G will apply power to the burner motor and igniter. b. R7284B,P,U (if valve-on delay is enabled) will apply power to the burner motor and igniter, (if configured) enter/complete valve-on delay period and then apply power to the valve. 3. Control enters Trial for Ignition period. <ol style="list-style-type: none"> a. Monitors burner for flame. b. When flame is not detected: <ol style="list-style-type: none"> (1) Enters lockout mode (after lockout time of 15, 30, or 45 seconds). (2) Shuts off valve, igniter and burner motor. (3) Display models: display Lockout mode. LED models: flash LED 1/2 sec ON, 1/2 sec OFF. (4) Depress "I" button for 2 seconds to return to power-up sequence. c. When flame is detected, Carry-Over period begins: 4. Control enters Ignition Carry-Over period (continues to spark for 10 seconds in interrupted mode). <ol style="list-style-type: none"> a. Display models: display "Flame Proven." LED models: turns on LED b. If flame is lost and lockout time has not expired, R7284 returns to Trial for Ignition period. c. If flame is lost and lockout time has expired, R7284 enters Recycle Mode. 5. Carry-Over time expires; igniter turns off if interrupted ignition. 6. Enters Run Mode: <ol style="list-style-type: none"> a. Flame is monitored until call for heat ends or flame is lost. If flame is lost: <ol style="list-style-type: none"> (1) Control enters Recycle Mode. (2) Recycle time starts (60 seconds). (3) Burner and valve are turned off. (4) Display models: display "Recycle." LED models: flash LED 2 sec ON, 2 sec OFF. (5) Returns to Idle Mode at end of Recycle Mode.
Call for heat is satisfied.	<ol style="list-style-type: none"> 1. R7284B,G,P,U (if burner motor-off delay is disabled): <ol style="list-style-type: none"> a. Burner motor and optionally oil valve and igniter shut off. b. Display models: display "Standby" LED models: LED turns OFF c. Indicator light turns off. 2. R7284P,U (if burner motor-off delay is enabled): <ol style="list-style-type: none"> a. Oil valve shuts off. b. Burner motor runs for selected burner motor-off delay time. c. Burner motor turns off. d. Device returns to Idle Mode.
Reset control three times without completing a call for heat (number of resets is adjustable in some controls)	<ol style="list-style-type: none"> 1. R7284 enters Restricted Mode. 2. Indicator light flashes and 1/2 second on, 1/2 second off. 3. Display models: display "Hard Lockout Call Service" LED models: flash LED 1/2 second ON, 1/2 second OFF 4. Reset device by pressing and holding reset button for a minimum of 10 seconds.

Table 6. Troubleshooting Information.

Condition: Burner does not start with a call for heat		
Procedure	Control Status	Corrective Action
Review error history if control in lockout	--	Refer to Error Codes table of this section
Check that limit switches are closed	Display models: display shows status of limit switch.	Replace limit switch or clean contacts.
Check TT status	Display models: display shows status of TT.	<ul style="list-style-type: none"> Most hydronic systems require TT to be jumpered. Display models can be configured to behave as though the TT terminals are jumpered. LED models require a jumper be added. Warm air systems will short TT terminals during a call for heat. Check that TT is really shorted during the call for heat.
Check for line voltage power at R7284	--	Check breaker and investigate appliance wiring
Check status of cad cell	Display models: display shows cad cell resistance. LED models: LED is on if cad cell is too low to start.	<ul style="list-style-type: none"> Replace cad cell If operation does not resume, remove leadwires from R7284. If operation does not resume, replace control.
Condition: Burner does not stop when call for heat ends		
Procedure	Control Status	Corrective Action
Check TT status	Display models: display shows status of TT.	<ul style="list-style-type: none"> Check if a TT jumper is installed. When the R7284 and L7224/L7248 electronic Aquastat are connected via the EnviraCOM bus, neither a physical jumper across the TT terminals or a configured TT jumper should be present on the oil primary. Check if the R7284 is configured to ignore the TT terminals. Verify thermostat contacts have opened. There should be 24VAC across TT terminals when there is not call for heat.
Check limit status	Display models: display shows status of limit.	Measure voltage on Limit terminal. There should be no voltage between Limit and Neutral when the contacts are open. Replace limit switch if necessary.
Check if other EnviraCOM devices are commanding the R7284 to run	Display models: display shows "TT Remote" if an EnviraCOM device is commanding it to run.	Unplug all EnviraCOM devices from R7284. It should turn off within 5 minutes.

Table 7. Display Alarm Information.

Display Alarm	EnviraCOM™ Alarm Number	Corrective Action
No Ignition Check Igniter	10	<ul style="list-style-type: none"> The burner was not lit and spark was not detected. Check the electrodes, spring contacts (or high voltage wires), and ignition transformer for proper operation. If spark ignition is functioning acceptably, proceed to "No Ignition" corrective action.
No Ignition Check Cad Cell	5	<ul style="list-style-type: none"> The cad cell detected some amount of light during the ignition trial, but not enough to enter run mode. Check the cad cell positioning and clean the eye. Set the display to show the cad cell resistance. Shield the cad cell from light. If the display shows is less than 20,000 ohms, unplug the cad cell. <ul style="list-style-type: none"> — If the display does not read 999999 ohms, replace control — If it does read 999999 ohms, replace cad cell. Expose the cad cell to ambient light (generally enough light to read by is adequate) If the display shows more than 2000 ohms, short the cad cell terminals. <ul style="list-style-type: none"> — If the display shows more than 5 ohms, replace control — If less than 5 ohms, replace cad cell. If the burner still does not light, proceed to "No Ignition" corrective action.

Table 7. Display Alarm Information.

No Ignition	20	<ul style="list-style-type: none"> • Check that the manual shut off valve is open. • Check that the burner motor is spinning and the pump is generating adequate pressure. • Check the condition of the nozzle and replace if necessary. • If a valve is present, check for proper operation. • Check burner adjustments (refer to burner manufacturers instructions)
Low Voltage XX% low	59	<ul style="list-style-type: none"> • Supply voltage is low to the control. • Measure the voltage across screw terminals “2” and “3” <ul style="list-style-type: none"> — If it's greater than 22VAC and the error does not clear, replace control. — If it's less than 22VAC, review appliance wiring.
Internal Error	18, 58	<ul style="list-style-type: none"> • An error has been detected inside the control. Replace control if the error persists.
Flame Proven Out of Sequence	34	<ul style="list-style-type: none"> • The cad cell is permanently in a low resistance state. It should typically read much higher than 20,000 ohms when no flame is present. • Set the display to display cad cell resistance. • Shield the cad cell from light. • If the display shows less than 20,000 ohms, unplug the cad cell, <ul style="list-style-type: none"> — If display does not read 999999 ohms, replace control. — If it does read 999999 ohms, replace cad cell.
Flame Proven During On Delay	23	<ul style="list-style-type: none"> • Flame was proven during the valve on delay period. Check the oil valve for proper operation. • If the system does not have an oil valve, set the valve on delay to 0.
Flame Proven During Off Delay	24	<ul style="list-style-type: none"> • Flame remained lit during the burner off delay. Check the oil valve for proper operation. • If the system does not have an oil valve, set the burner off delay to 0.
Exceeded Max Recycles	22	<ul style="list-style-type: none"> • Flame was lost more than the allowed number of times. The burner lights, but does not remain lit. • Check that the fuel tank is not empty. • Check the fuel supply lines (and filter) for obstructions or air <ul style="list-style-type: none"> — Use the pump priming feature to purge the system of air • Check that the burner motor is spinning and the pump is generating adequate pressure. • If present, check operation of the oil valve. • If the problem persists, proceed to the “Cad Cell, High During Run” corrective action.
EnviraCOM™ Error	91	<ul style="list-style-type: none"> • Communications error has been detected. • Remove all devices from the EnviraCOM™ connections, 3-pin plug and screw terminals “1-2-3”. <ul style="list-style-type: none"> — If the error does not clear within one minute, measure the voltage on terminals “2” and “3”. — If the voltage across terminals “2” and “3” is between 20VAC and 30VAC, replace control. — If it is outside of that range, review appliance wiring. There should be approximately 24VAC across “2” and “3”.
Cad Cell High During Run	4	<ul style="list-style-type: none"> • The cad cell resistance is higher than normal while running, the system is in need of a tune up. • Check for proper alignment of the cad cell and clean the eye if necessary. • Check if the pump is generating adequate pressure. • Check burner adjustments (refer to burner manufacturers instructions). • Check for excessive soot build up in the burner and flue. • Check for flue blockage.
Flame Proven Late in Trial	9	<ul style="list-style-type: none"> • The burner lit very late during the trial for ignition and is susceptible to not lighting. • Check cad cell for proper alignment and clean if necessary. • Check burner adjustments (refer to burner manufacturers instructions) • Check electrodes and spring contacts (if equipped) and adjust per manufacturers recommendations. • Check if the pump is generating adequate pressure. • Check the fuel supply lines and filter for obstructions.

Table 8. LED Flash Codes.

LED Flash Code	EnviraCOM™ Alarm Number	Corrective Action
1	10,5,20,59,9	<p>The burner was not lit or lit near the end of the trial time.</p> <ul style="list-style-type: none"> • Check that the manual shut off valve is open. • Check that the burner motor is spinning and the pump is generating adequate pressure. • Check the condition of the nozzle and replace if necessary. • Check the fuel supply lines and filter for obstructions or air. • Check the electrodes, spring contacts (or high voltage wires), and ignition transformer for proper operation. • If a valve is present, check for proper operation. • Check burner adjustments (refer to burner manufacturers instructions) and spark was not detected. • Check the cad cell positioning and clean the eye. • Expose the cad cell to ambient light (generally enough light to read by is adequate) <ul style="list-style-type: none"> — If the LED does not turn on, short the cad cell terminals, — If the LED does not turn on, replace the control, — If the LED turns on, replace the cad cell. • Shield the cad cell from light. <ul style="list-style-type: none"> — If the LED does not turn off, unplug the cad cell, — If the LED does not turn off, replace the control, — If the LED turns off, replace the cad cell.
2	22,4	<p>Flame was lost more than the allowed number of times. The burner lights but does not remain lit, or the cad cell is unusually high during a run cycle.</p> <ul style="list-style-type: none"> • Check that the fuel tank is not empty. • Check the fuel supply lines (and filter) for obstructions or air use the pump priming feature to purge the system of air • Check for proper alignment of the cad cell and clean the eye if necessary. • Check the burner motor is spinning and the pump is generating adequate pressure. • If present, check operation of the oil valve. • Check burner adjustments (refer to burner manufacturers instructions). • Check for excessive soot build up in the burner and flue. • Check for flue blockage.
3	23,24,34	<p>Flame was detected out of sequence.</p> <ul style="list-style-type: none"> • Check the oil valve for proper operation (if equipped). • Expose the cad cell to ambient light (generally enough light to read by is adequate) <ul style="list-style-type: none"> — If the LED does not turn on, short the cad cell terminals, — If the LED does not turn on, replace the control, — If the LED turns on, replace the cad cell. • Shield the cad cell from light. <ul style="list-style-type: none"> — If the LED does not turn off, unplug the cad cell, — If the LED does not turn off, replace the control, — If the LED turns off, replace the cad cell.
4	59,91	<ul style="list-style-type: none"> • Supply voltage was low to the control or a communication error has occurred. • Remove all devices from the EnviraCOM™ connections, 3-pin plug and screw terminals "1-2-3". <ul style="list-style-type: none"> — Measure the voltage across screw terminals "2" and "3" — If it's between 22VAC and 30VAC and the error does not clear, replace control. — If it's outside that range, review appliance wiring. There should be approximately 24VAC across "2" and "3".
5	18, 58	<p>An error has been detected inside the control. Replace control if the error persists.</p>

Automation and Control Solutions

Honeywell International Inc.
1985 Douglas Drive North
Golden Valley, MN 55422

Honeywell Limited-Honeywell Limitée
35 Dynamic Drive
Toronto, Ontario M1V 4Z9
customer.honeywell.com

Honeywell

© U.S. Registered Trademark
© 2011 Honeywell International Inc.
69-2467EFS—05 M.S. Rev. 04-11
Printed in U.S.A.

Régulateur primaire à mazout électronique R7284B,P,U,G compatible EnviraCOM™

NOTICE D'INSTALLATION

APPLICATION

Le régulateur à mazout électronique R7284B,P,U,G est un régulateur primaire à mazout à allumage intermittent et interrompu à tension secteur de sécurité pour les brûleurs résidentiels à mazout, les générateurs d'air chaud à air pulsé et les chauffe-eau. Le R7284B,P,U,G utilisé avec un détecteur de flamme à cellule de cadmium fait fonctionner un brûleur à mazout, un allumeur par étincelle et une vanne à mazout en option. Le régulateur fonctionne avec un thermostat basse tension et haute tension en option. Le régulateur primaire contrôle le mazout, détecte la flamme, contrôle l'étincelle d'allumage (allumage intermittent ou interrompu) et donne l'alerte en cas de verrouillage via le bus EnviraCOM™ et le circuit d'alarme à distance.

Les régulateurs primaires à mazout de la série R7284 peuvent être utilisés avec les systèmes à air pulsé et à eau chaude. Lorsqu'ils sont utilisés avec les systèmes à eau chaude, les régulateurs Aquastat® à commutation à tension secteur assurent normalement le démarrage et l'arrêt des séquences de combustion. Avec les systèmes à air pulsé, les thermostats basse tension mécanique et électronique contrôlent le démarrage et l'arrêt du processus de combustion.

Certains systèmes à eau chaude et à air pulsé nécessitent une temporisation de mise en marche de la vanne et une temporisation de mise à l'arrêt du moteur du brûleur. Le modèle R7284 actionne une vanne à mazout qui interrompt le débit de mazout lorsque le moteur du brûleur est en marche avant la combustion (temporisation de mise en marche de la vanne) et lorsque le moteur du brûleur est en marche après la combustion (temporisation de mise à l'arrêt du moteur du brûleur).

Les modèles R7284 sont uniquement conçus pour une utilisation sur les appareils à mazout ne nécessitant pas de prébalayage et de post-balayage en tant que fonction de sécurité telle que définie dans la norme UL296. La temporisation de mise en marche de la vanne et la temporisation de mise à l'arrêt du moteur du brûleur de ce régulateur sont uniquement destinées à aider à établir le tirage et à réduire les problèmes d'écoulement de mazout après la fermeture de la vanne.

Les modèles R7284 compatibles avec EnviraCOM™ peuvent être utilisés avec les systèmes de surveillance à distance EnviraLink® et les appareils de diagnostic de poche. Utiliser uniquement les modèles R7284P et U pour le fonctionnement en réseau avec d'autres dispositifs compatibles EnviraCOM™.

CARACTÉRISTIQUES

Interface utilisateur

Il y a deux interfaces utilisateur : l'interface de base et l'interface avancée. Les deux interfaces sont constituées de trois boutons : ▲, ▼ et « i ».

L'interface avancée a un affichage à deux lignes utilisé pour configurer les paramètres du dispositif, récupérer les informations sur le diagnostic et afficher le statut du système.

L'interface de base a un voyant DEL unique utilisé pour afficher les codes d'erreur et le statut du système.

De manière générale, le bouton « i » permet de défiler parmi les options de l'affichage et sert de touche « Entrée » (dans les modes de configuration).

Thermostat(s)

Les régulateurs primaires à mazout sont compatibles avec les thermostats standard et les thermostats communicants EnviraCOM™.

Remises en marche limitées

Cette fonction limite le nombre d'essais de remise en marche (pour chaque appel de chaleur) à trois essais maximum. Si la flamme est perdue trois fois et ne satisfait pas à un appel de chaleur, le R7281 se verrouille.

Cycle d'amorçage de pompe

Pour faciliter la purge d'air des conduites de mazout et des filtres, le R7284 peut être placé en mode de balayage en appuyant et en relâchant le bouton avec une flèche ascendante durant l'essai d'allumage.

PUMP PRIME (Amorçage de pompe) s'affiche sur l'interface avancée avec la durée restante de l'essai d'allumage (TFI). Le fait d'appuyer sur le bouton avec flèche ascendante ajoute une minute à la durée TFI (appuyer 10 fois pour 10 minutes max. supplémentaires). Le fait d'appuyer sur le bouton avec touche descendante enlève une minute à la durée TFI.

Il n'y a pas d'indication visuelle pour la commande d'interface de base et la minuterie de balayage est limitée à cinq minutes.

Fonction de désactivation

Le fait d'appuyer sur le bouton « i » sans relâcher permet de désactiver toutes les fonctions du régulateur jusqu'à 3 secondes suivant le relâchement du bouton.

Modes de verrouillage

Le R7284 a trois types de modes de verrouillage qui sont entrés en cas d'erreur :

- **Verrouillage de premier niveau :** Causé par une erreur interne provisoire telle qu'une basse tension. Le régulateur se remet en marche automatiquement une fois que l'erreur n'est plus détectée.
- **Verrouillage de deuxième niveau :** Causé par une panne interne du régulateur ou par une panne de système telle qu'une flamme hors séquence. Un verrouillage de deuxième niveau entraîne l'absence de chauffage. Pour annuler un verrouillage de 2^e niveau, appuyer sur le bouton « i » pendant 2 secondes.
- **Verrouillage de restriction :** Causé par un certain nombre de verrouillages de 2^e niveau consécutifs sur le même cycle de chauffage. Pour annuler un verrouillage de restriction, appuyer sur le bouton « i » pendant 10 secondes.

Résistance de la cellule de cadmium

La résistance de la cellule de cadmium peut être vérifiée sans ohmmètre.

Interface de base :

Appuyer sur le bouton « i » et le relâcher. Les clignotements qui suivent indiquent la résistance. Voir le Tableau 3.

Interface avancée :

La résistance de la cellule de cadmium est illustrée sur l'affichage.

Temporisation d'ouverture de vanne/temporisation de mise à l'arrêt du moteur de soufflante

Certains modèles peuvent avoir des temporisations fixes ou réglables pour l'ouverture de la vanne et l'arrêt du moteur de soufflante. Les circuits de sécurité vérifient la flamme durant ces temporisations, et si une flamme est présente, causent le verrouillage du régulateur.

CARACTÉRISTIQUES

Modèles :

Le Tableau 1 indique les caractéristiques principales du R7284.

Minuterie :

Temporisation d'ouverture de vanne : 0-30 secondes
Temporisation d'arrêt du brûleur : 0-8 minutes

Verrouillage : 15, 30 ou 45 secondes.
Remise en marche : 60 secondes (fixe).
Report d'allumage : 10 secondes (fixe).

REMARQUE : Certains modèles ont une temporisation d'ouverture de vanne, d'arrêt de brûleur et des minuterie de verrouillage réglables.

Caractéristiques électriques :

Entrées :

Tension : 102 à 132 V c.a., 120 V c.a. nominaux.
Courant : 0,5 A plus charges du moteur du brûleur, de la vanne et de l'allumeur.
Fréquence : 60 Hz.

Sorties :

Contacts de relais :
Brûleur : 120 V c.a., 10 A à pleine charge, 60 A à rotor bloqué.
Vanne : 120 V c.a., 1A.
Allumeur : 120 V c.a., 3 A.
Coupe basse tension : 80 V c.a.
Courant de thermostat disponible : 100 mA.
Courant EnviraCOM™ disponible : 150 mA.

REMARQUE : Réduire l'ampérage à pleine charge du brûleur de la charge de l'allumeur. Par exemple, si l'allumeur tire 3 A (120 V c.a., 360 VA), réduire l'ampérage à pleine charge du moteur du brûleur à 7 A.

Code de couleur de fil de composant typique :

Blanc : neutre.
Noir : secteur.
Orange : moteur.
Bleu ou bleu rayé blanc : allumeur.
Violet : vanne.
Rouge : limite.

REMARQUE : Le R7284 est fourni avec des bornes à connexion rapide de 1/4 po.

Caractéristiques environnementales :

Température de fonctionnement/d'expédition :
-40 °C à +66 °C (-40 °F à +150 °F).
Le texte d'affichage peut ne pas être visible à des températures inférieures à -20 °C (-4 °F).
Humidité : 0 à 95 % d'humidité relative à 40 °C (104 °F), sans condensation.

Accessoires :

Module d'alarme W8735S3000

Homologations :

Underwriters Laboratories Inc. : Reconnu (Dossier MP268).
Underwriters Laboratories Inc. du Canada.

Tableau 1. Modèles R7284.

Modèle	Limite	Vanne	Remarques
R7284B	Non	Oui	Temporisation d'ouverture de vanne uniquement
R7284G	Non	Non	Pas de temporisation de marche/arrêt, allumage intermittent (allumeur à fil avec moteur)
R7284P	Oui	Oui	Temporisations de marche et arrêt
R7284U	Oui	Oui	Temporisations de marche et arrêt

INSTALLATION

Lors de l'installation de ce produit...

1. Lire attentivement ces instructions. Le fait de ne pas les suivre risque d'endommager le produit ou de constituer un danger.
2. Vérifier les caractéristiques nominales indiquées dans cette notice et sur le produit pour s'assurer que le produit correspond bien à l'application prévue.
3. L'installateur doit être un technicien expérimenté ayant reçu la formation pertinente.
4. Une fois l'installation terminée, utiliser ces instructions pour vérifier le bon fonctionnement du produit.

⚠ AVERTISSEMENT

**Risque de choc électrique.
Peut causer des dégâts et des blessures graves, voire mortelles.**

Débrancher l'alimentation en courant avant de commencer l'installation pour prévenir des chocs électriques ou des dommages matériels. Il peut être nécessaire d'effectuer plus d'un débranchement.

Emplacement

1. Monter un boîtier de raccordement de 4 x 4 po directement sur le brûleur principal ou dans l'armoire de l'appareil. Pour les applications de remplacement, effectuer le montage au même endroit que l'ancien régulateur. Voir la Fig. 1. S'assurer que les températures de fonctionnement sont comprises dans la plage de température ambiante (voir la section Caractéristiques).
2. Avant de monter le régulateur, effectuer les connexions de tension secteur comme illustré dans les Fig. 2 à 10. Assembler les fils avec des connecteurs sans soudure. Ne pas dépasser les valeurs de charge nominales indiquées sur l'étiquette du dispositif.
3. Si nécessaire, utiliser le régulateur comme modèle pour marquer et percer les nouveaux trous de montage.
4. Monter le dispositif avec des vis n° 6 fournies (non incluses).

CÂBLAGE

⚠ AVERTISSEMENT

**Risque de choc électrique.
Peut causer des dégâts et des blessures graves, voire mortelles.**

Débrancher l'alimentation avant le câblage pour éviter les chocs électriques et les dégâts de l'équipement. Il peut être nécessaire d'effectuer plus d'un débranchement.

1. Le câblage doit être conforme aux codes et aux règlements locaux.
2. Vérifier que le câblage de la tension secteur est bien connecté. Consulter l'étiquette du régulateur à mazout et le schéma de câblage de l'appareil pour les codes de couleur.
3. Après le montage, effectuer les connexions basse tension aux bornes à vis (voir les Fig. 2 à 10).
4. Dénuder les fils de 10 mm (3/8 po) et insérer sous la vis de borne.
5. Brancher les fils de thermostat à T-T (ou 1, 2, 3 si EnviraCOM™ est présent), si l'installation l'exige.

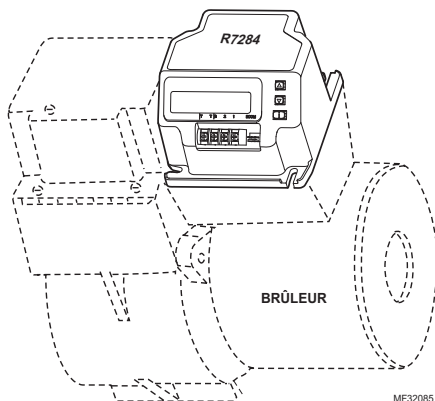


Fig. 1. Montage du R7284 sur le boîtier de raccordement.

VÉRIFICATION

Démarrage du système

⚠ AVERTISSEMENT

**Risque d'incendie ou d'explosion.
Peut causer des dégâts et des blessures graves, voire mortelles.**

S'assurer que la chambre de combustion est exempte d'huile et/ou de vapeur d'huile avant de mettre le système en marche.

1. Ouvrir le robinet manuel dans le conduit d'alimentation de mazout.
2. S'assurer que le système est sous tension. Vérifier le disjoncteur ou le fusible et fermer l'interrupteur du système, si présent.
3. Régler le thermostat sur appel de chaleur.
4. S'assurer que le brûleur s'allume et fonctionne jusqu'à la fin de l'appel de chaleur. Noter la résistance de la cellule de cadmium lors du fonctionnement.
5. Vérifier que le brûleur s'éteint une fois que l'appel de chaleur du thermostat est satisfait.

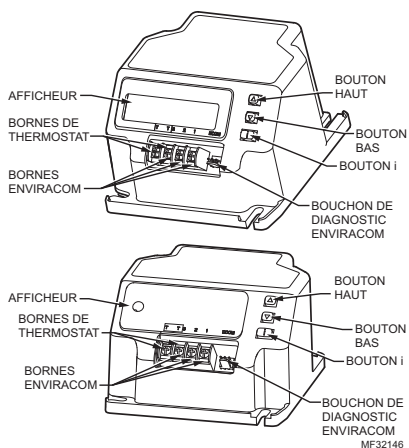


Fig. 2. Emplacement des bornes, connecteurs, voyants DEL, bouton de réinitialisation et commutateurs du modèle R7284.

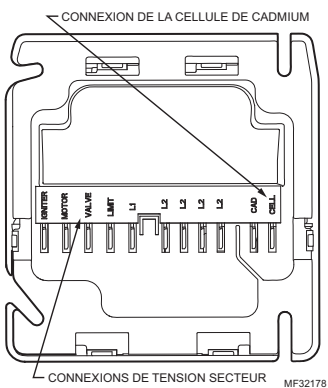


Fig. 3. Connexions de câblage du modèle R7284.

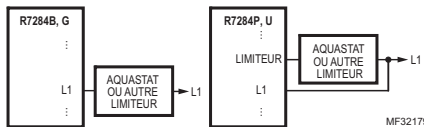


Fig. 4. Câblage de limiteur pour thermostat de tension secteur, Aquastat ou autre limiteur du modèle R7284.

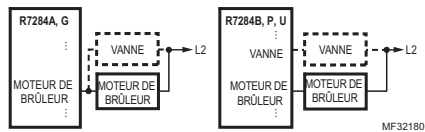


Fig. 5. Câblage du R7284 pour vanne à mazout en option.

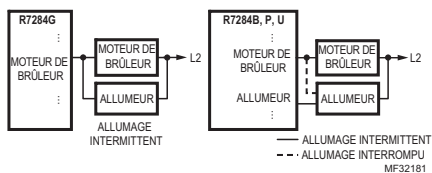
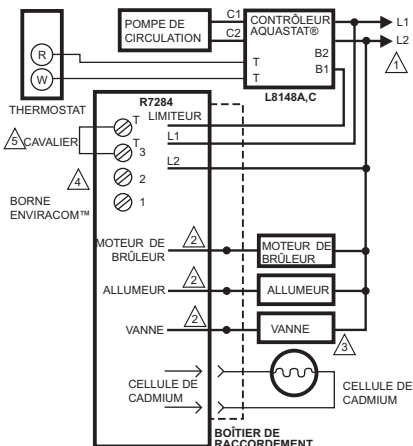


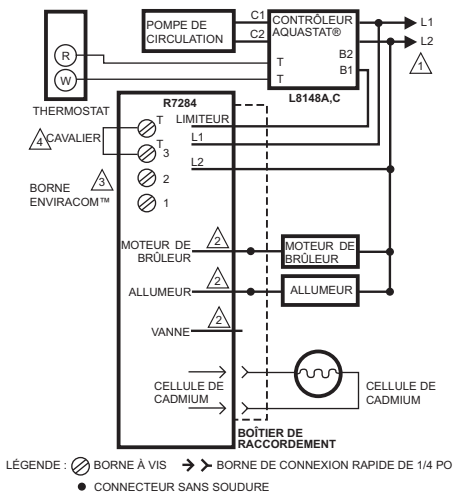
Fig. 6. Schéma de l'allumeur du R7284.



LÉGENDE : BORNE À VIS → BORNE DE CONNEXION RAPIDE DE 1/4 PO
● CONNECTEUR SANS SOUDURE

- ALIMENTATION. FOURNISSEZ AU BESOIN UN DISPOSITIF DE COUPURE ET UNE PROTECTION CONTRE LES SURCHARGES.
- SE REPORTER À L'ÉTIQUETTE DE L'APPAREIL POUR CONNAÎTRE LE CODE DE COULEUR DE FIL.
- LA VANNE EST OPTIONNELLE POUR LES MODÈLES SPÉCIFIÉS.
- LA BORNE ENVIRACOM™ 3 EST ÉGALEMENT LA PREMIÈRE BORNE DU THERMOSTAT.
- LE CAVALIER PEUT ÊTRE OMIS SI LE R7284 EST CONFIGURÉ POUR IGNORER LES BORNES TT.

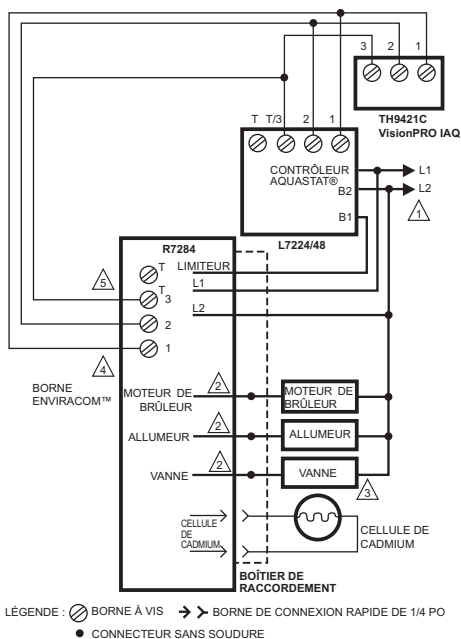
Fig. 7. Câblage du R7284P,U sans EnviraCOM™, pour chaudière à mazout typique.



- ALIMENTATION. FOURNISSEZ AU BESOIN UN DISPOSITIF DE COUPURE ET UNE PROTECTION CONTRE LES SURCHARGES.
- SE REPORTER À L'ÉTIQUETTE DE L'APPAREIL POUR CONNAÎTRE LE CODE DE COULEUR DE FIL.
- LA BORNE ENVIRACOM™ 3 EST ÉGALEMENT LA PREMIÈRE BORNE DU THERMOSTAT.
- LE CAVALIER PEUT ÊTRE OMIS SI LE R7284 EST CONFIGURÉ POUR IGNORER LES BORNES TT.

MF32191

Fig. 8. Câblage du R7284U sans EnviraCOM™, pour chaudière à mazout typique.



- ALIMENTATION. FOURNISSEZ AU BESOIN UN DISPOSITIF DE COUPURE ET UNE PROTECTION CONTRE LES SURCHARGES.
- SE REPORTER À L'ÉTIQUETTE DE L'APPAREIL POUR CONNAÎTRE LE CODE DE COULEUR DE FIL.
- LA VANNE EST OPTIONNELLE POUR LES MODÈLES SPÉCIFIÉS.
- LA BORNE ENVIRACOM™ 3 EST ÉGALEMENT LA PREMIÈRE BORNE DU THERMOSTAT.
- NE PAS CONNECTER LES CAVALIERS SUR LES BORNES TT NI CONFIGURER LE RÉGLAGE TT INTERNE SUR « OUI » LORSQUE LE RÉGULATEUR PRIMAIRE À MAZOUT ET L'AQUASTAT SONT CONNECTÉS VIA LE BUS ENVIRACOM.

MF32183A

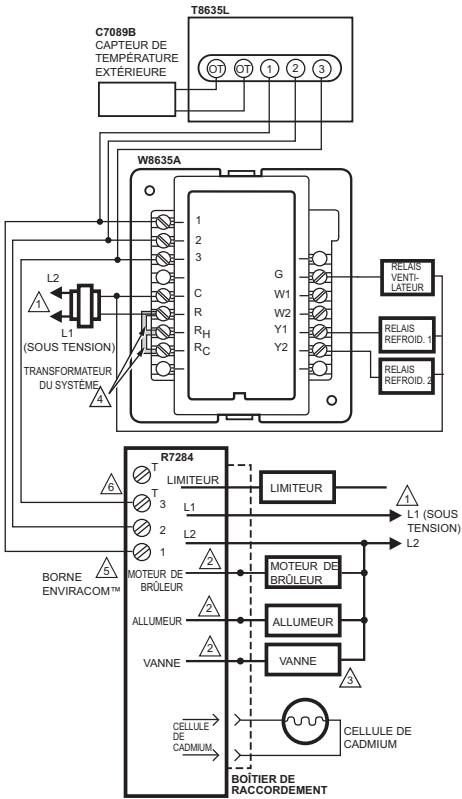
Fig. 9. Câblage du R7284P,U avec connexions EnviraCOM™, pour chaudière à mazout typique.

IMPORTANT

Lorsque le régulateur primaire à mazout R7284 communique avec l'Aquastat L7224/L7248 via le bus EnviraCOM, ne pas connecter les bornes TT ni configurer le réglage TT interne sur « OUI ». Ceci compromettrait le bon fonctionnement du brûleur.

IMPORTANT

Le système montré à la Fig. 10 est sensible à la phase/polarité. S'assurer que toute la puissance d'entrée est dans la même phase.



LÉGENDE : BORNE À VIS → BORNE DE CONNEXION RAPIDE DE 1/4 PO
● CONNECTEUR SANS SOUDURE

- 1. ALIMENTATION. FOURNISSEZ AU BESOIN UN DISPOSITIF DE COUPEURE ET UNE PROTECTION CONTRE LES SURCHARGES.
- 2. SE REPORTER À L'ÉTIQUETTE DE L'APPAREIL POUR CONNAÎTRE LE CODE DE COULEUR DE FIL.
- 3. LA VANNE EST OPTIONNELLE POUR LES MODÈLES SPÉCIFIÉS.
- 4. CAVALIERS INSTALLÉS EN USINE.
- 5. LA BORNE ENVIRACOM™ 3 EST ÉGALEMENT LA PREMIÈRE BORNE DU THERMOSTAT.
- 6. NE PAS CONNECTER LES CAVALIERS SUR LES BORNES TT NI CONFIGURER LE RÉGLAGE TT INTERNE SUR « OUI » LORSQUE LE RÉGULATEUR PRIMAIRE À MAZOUT ET L'AQUASTAT SONT CONNECTÉS VIA LE BUS ENVIRACOM.

MF32184A

Fig. 10. Schéma de câblage typique pour thermostat compatible EnviraCOM™ et R7284P,U pour un système à air pulsé à mazout.

INTERFACE UTILISATEUR AVANCÉE

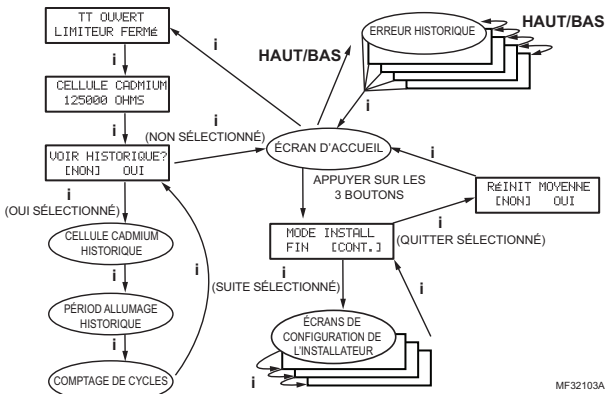


Fig. 11. Présentation de l'interface de l'utilisateur.

Écrans d'accueil

Le fait d'appuyer sur le bouton « i » pour plus de deux secondes en modes autres que veille interrompt le fonctionnement du régulateur.

Une fois le bouton relâché, le compte à rebours reprend.

- Le fait d'appuyer sur les 3 boutons plus de 2 secondes dans tout état fait passer le régulateur en mode de configuration de l'installateur (ISU).
- Le fait d'appuyer sur le bouton « i » en tout état pour afficher l'écran Diagnostic (si les diagnostics sont activés).
- Le fait d'appuyer sur haut ou bas dans tout écran permet d'afficher l'historique des erreurs (si les diagnostics sont activés).

Voici ci-dessous une progression typique des écrans en cours de cycle normal.

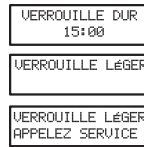


MF32090

Le fait d'appuyer sur le haut ou le bas durant l'essai d'allumage active l'amorçage de la pompe.

Chaque pression du bouton haut ajoute une minute, chaque pression du bouton bas enlève une minute à la durée d'amorçage de la pompe.

Si à tout moment, un événement générant un verrouillage a lieu, l'un des écrans suivants s'affiche.



MF32091

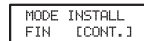
Le régulateur est en mode de verrouillage de 1er niveau. Le régulateur se remet en marche une fois que l'erreur n'est plus détectée ou après une durée spécifiée.

Le régulateur est en mode de verrouillage de 2e niveau. Appuyer sur le bouton « i » pendant au moins deux secondes pour réinitialiser.

Appuyer sur le bouton « i » pendant plus de 10 secondes pour revenir en mode de veille.

Configuration de l'installateur

Pour passer en mode de configuration de l'installateur, appuyer sur les trois boutons pendant 2 secondes simultanément.



MF32092

Si QUIT (Quitter) est sélectionné, le fait d'appuyer sur le bouton « i » affiche l'option de retour aux valeurs de référence.

Si CONT (Continuer) est sélectionné, le fait d'appuyer sur le bouton « i » permet de passer à la configuration de l'installateur.

REMARQUE : Tous les paramètres ne sont pas réglables dans tous les modèles. Les paramètres non disponibles pour le réglage s'affichent comme verrouillés lorsqu'une tentative est faite de les modifier.

LANGUE [ENG] FR ESP
PRÉPURGE 0:15
PÉRIOD ALLUMAGE 0:15

MF32093

Sélectionner entre anglais, français et espagnol en utilisant les boutons haut et bas et le bouton « i » pour sélectionner.

Réglage de la temporisation de marche de la vanne en incréments de cinq secondes.

Réglage de la durée d'allumage (verrouillage).

REMARQUE : La durée d'allumage ne peut être réglée que pour les 100 premiers cycles de fonctionnement. Après 100 cycles, la durée d'allumage est enregistrée et ne peut plus être réglée.

POSTE-PURGE 2:00
TT CONFIGURÉ ON [NON] OUI

Réglage de temporisation d'arrêt du brûleur.

Configuration des bornes TT par rapport à un cavalier interne.

Contrôle l'étincelle durant la période de temporisation de marche.

Configurer le réglage TT sur « NON » lorsque le régulateur primaire à mazout est connecté à Aquastat® L7224/L7248 via les bornes 1, 2, 3 du bus EnviraCOM.

IGNI. PRÉ-PURGE [NON] OUI

Contrôle l'étincelle durant le mode de fonctionnement (allumage interrompu par rapport à allumage intertempu).

IGNI. MARCHE [NON] OUI

Nombre de réinitialisations permises avec le verrouillage de restriction

Ré-INIT PERMISES 0 1 [3] 5.LIM

Configuration de l'appareil (chaudière, générateur d'air chaud, chauffe-eau) pour EnviraCOM™.

TYPE D'APPAREIL [BOU] FRN CEAU

Active le mode de diagnostic avancé et l'historique des erreurs.

VOIR DIAGNOSTIQUE [NON] OUI

Quitter la configuration de l'installateur

MODE INSTALL [FIN] CONT.

Si QUIT (Quitter) est sélectionné, une invite sur l'écran demande à l'utilisateur s'il veut rétablir les valeurs de référence du régulateur.

REINIT BOVENNE [NON] OUI

MF32101

Ceci permet de sauvegarder les données de performance lorsque le régulateur fonctionne de façon optimale. Les valeurs de référence sont une tendance des premiers 500 cycles suivant l'installation ou une commande de rétablissement des valeurs de base et sont fournies comme une méthode permettant de comparer la performance actuelle du brûleur à celle présente lors de l'installation ou de l'entretien initiaux. En utilisant les données de référence, il est possible de surveiller le système de brûleur pour détecter les dégradations et permettre à un personnel d'entretien de régler les problèmes avant qu'une situation d'absence de chaleur n'ait lieu. Après avoir effectué l'entretien, il est possible de réinitialiser les valeurs de référence via le menu de configuration de l'installateur.

REMARQUE : Le rétablissement des valeurs de référence permet d'établir de nouvelles valeurs de référence pour la cellule de cadmium et la durée d'allumage. Il permet également de réinitialiser les compteurs de « Cycles depuis la ligne de référence », de « Verrouillage depuis la ligne de référence » et de « Remises en marche depuis la ligne de référence » à zéro.

TT OUVERT LIMITEUR OUVERT

MF32094

Affiche le statut des entrées des TT et du limiteur. Noter que « TT Remote » (TT à distance) signifie qu'EnviraCOM™ ordonne au R7284 de se comporter inversement au statut des bornes TT.

Appuyer sur « i » pour passer à l'écran suivant

CELLULE CADMIUM 75,265 OHMS

Valeur courante de la cellule de cadmium. Appuyer sur « i » pour passer à l'écran suivant

VOIR HISTORIQUE [NON] OUI

MF32102

Si NO (Non) est sélectionné, « i » ramène à l'écran d'accueil

Si YES (Oui) est sélectionné, « i » fait défiler par les écrans de diagnostic.

Les écrans d'historique peuvent fournir des informations utiles concernant les performances passées du régulateur, y compris son historique récent, tel que les tendances de cycle (utilisant la fonction de référence) et les cycles totaux depuis l'installation.

Voir Historique

Sur l'écran Diagnostic, défiler jusqu'à l'écran View History (Voir historique) et sélectionner YES (Oui). Faire défiler les données de performance en utilisant les boutons haut et bas.

CELLULE CADMIUM

L'écran CAD Cell (Cellule de cadmium) fait automatiquement défiler 4 écrans.

DERNIER CYCLE 200 OHMS

Valeur moyenne de la cellule de cadmium durant le dernier cycle.

DIX DERN. CYCLES 250 OHMS

Tendance de la cellule de cadmium au cours des 10 derniers cycles.

MOYENNE 200 OHMS

Tendance de la cellule de cadmium au cours des 500 premiers cycles.

MF32095

Le fait d'appuyer sur « i » au cours de tout écran de cellule de cadmium permet de passer aux écrans de durée d'allumage ci-dessous.

PÉRIOD ALLUMAGE

L'écran Ignition Time (Durée d'allumage) fait automatiquement défiler 4 écrans.

DERNIER CYCLE 11 SECONDS

Dernière durée d'allumage.

DIX DERN. CYCLES 11 SECONDS

Tendance de durée d'allumage au cours des 10 derniers cycles.

MOYENNE 8 SECONDS

Tendance de durée d'allumage au cours des 500 premiers cycles.

MF32096

Le fait d'appuyer sur « i » au cours de tout écran de durée d'allumage permet de passer aux écrans de compte de cycle ci-dessous.

187432
CYCLES BRÛLEUR

Cycles totaux de brûleur.

8768 CYCLES
DEPUIS INIT. MOV

Cycles de brûleur depuis le dernier entretien (réinitialisation aux valeurs de référence).

5 RECYCLAGE
DEPUIS INIT. MOV

Pertes de flamme depuis le dernier entretien (réinitialisation aux valeurs de référence).

2 ÉCHECS AL
DEPUIS INIT. MOV

Échecs d'allumage depuis le dernier entretien (réinitialisation aux valeurs de référence).

MF32097

La pression suivante permet de revenir à l'écran de visualisation de l'historique que l'utilisateur peut quitter pour revenir à l'écran d'accueil ou à partir duquel il peut de nouveau faire défiler l'historique de performance.

Écrans d'historique des erreurs

Pour tous les écrans d'historique des erreurs, le fait d'appuyer sur « i » permet de revenir à l'écran normal.

ERR HISTORIQUE
START

MF32098

Sur l'écran d'accueil, appuyer sur le bouton haut pour afficher l'erreur la plus récente.

ERREUR 1

PAS D'ALLUMAGE

DERNIER CYCLE

MF32099

Appuyer une fois de plus sur le bouton haut pour passer à l'erreur la plus récente suivante ou sur le bouton bas pour revenir à l'écran d'erreur précédent.

ERREUR 2

DÉPASSÉ
RECYCLAGES MAX

5 CYCLES DEPUIS

MF32100

Les trois écrans alternent toutes les 3 secondes.

Si aucune autre erreur n'est enregistrée, l'affichage indique « Error History End » (Fin de l'historique des erreurs).

INTERFACE UTILISATEUR DE BASE

L'interface utilisateur de base consiste en 3 boutons et un DEL. Les informations de diagnostic simples peuvent être obtenues par l'interaction des boutons et du DEL.

Statut R7284 (Interface de base)

Tableau 2. Codes DEL.

Description	Code DEL
Veille	Impulsion (1/4 s sur marche, 4 s sur arrêt)
Appel de chaleur	Pulsation (1/2 s lumineux, 1/2 s atténué)
Surveillance de flamme	Marche en continu
Remise en marche	Clignotement de 2 secondes sur marche, 2 secondes sur arrêt
Verrouillage	Clignotement de 1/2 seconde sur marche, 1/2 seconde sur arrêt
Interruption	ARRÊT
Bouton « i »	Indication de force de flamme
Bouton haut	Erreur la plus récente
Bouton bas	Erreur la plus récente suivante

Force de flamme R7284 (Interface de base)

Durant le fonctionnement normal et lorsque le R7284 est en mode de fonctionnement, l'interface DEL indique la résistance de la cellule de cadmium. Voir le Tableau 3.

Tableau 3. Erreur la plus récente suivante.

Indication de force de flamme	Nombre de clignotements de 1/2 s
Cellule de cadmium inférieure à 400Ω	1
400Ω < Cellule de cadmium < 800Ω	2
800Ω < Cellule de cadmium < 1600Ω	3
1600Ω < Cellule de cadmium < 6100Ω	4
Cellule de cadmium > 6100 Ω	Aucun

Historique des erreurs (interface de base)

Les deux dernières erreurs sont disponibles sur l'interface DEL :

- Le fait d'appuyer sur le bouton à flèche ascendante affiche l'erreur la plus récente.
- Le fait d'appuyer sur le bouton à flèche descendante affiche l'erreur la plus récente suivante.

Une fois la flèche ascendante ou descendante pressée, l'interface DEL affiche l'alarme la plus récente ou la plus récente suivante en faisant clignoter le code d'erreur. Voir le Tableau 4.

Codes d'erreur R7284 (Interface de base)

Tableau 4. Codes d'erreur.

Codes d'erreur	Nombre de clignotements de 1/4 s
Pas d'allumage / Allumage retardé	1
Pertes de flamme max. / Résistance de cellule de cadmium haute en fonctionnement	2
Flamme hors séquence	3
Basse tension / erreur EnviraCOM™	4
Erreur interne	5

DÉPANNAGE ET ENTRETIEN

IMPORTANT

En raison des dangers potentiels liés à l'alimentation secteur, seul un technicien d'entretien formé et expérimenté doit effectuer les procédures de dépannage.

Ce régulateur ne contient aucune pièce réparable. Ne pas tenter de le démonter. Remplacer le régulateur dans son intégralité s'il ne fonctionne pas de la façon décrite.

Pour dépanner complètement une installation de brûleur à mazout, vérifier que le brûleur et le régulateur primaire à huile fonctionnent correctement et sont en bon état.

Vérification de la résistance de la cellule de cadmium

Pour un fonctionnement correct, il est important que la résistance de la cellule au cadmium soit inférieure à 1600 ohms. Sur le modèle de base avec interface DEL, durant

un appel de chaleur normal, une fois le régulateur en mode de fonctionnement, appuyer sur le bouton « i » et le relâcher.

Sur le modèle avancé, suivre la procédure de diagnostic à l'écran pour lire la résistance de la cellule de cadmium.

Étapes préliminaires

1. Vérifier les connexions de câblage et l'alimentation.
2. S'assurer que les régulateurs sont sous tension.
3. S'assurer que le limiteur est fermé.
4. Vérifier les contacts entre l'allumeur et les électrodes.
5. Vérifier la pression de la pompe de mazout.
6. Vérifier la tuyauterie au réservoir de mazout.
7. Vérifier la buse de mazout, l'arrivée de mazout et le filtre à mazout.

Vérification du régulateur à mazout primaire

Si le problème ne se trouve pas dans la quincaillerie du brûleur ou de l'allumage, vérifier le régulateur à mazout primaire avec l'équipement suivant :

1. Tournevis.
2. Voltmètre (plage de 0 à 150 V c.a.).
3. Fil de cavalier isolé avec les deux extrémités dénudées.



AVERTISSEMENT

**Risque de choc électrique.
Peut causer des dégâts et des blessures graves, voire mortelles.**

Effectuer le dépannage avec le système sous tension. Veiller à respecter toutes les précautions pour éviter les chocs électriques et les dégâts de l'équipement.

Tableau 5. Fonctionnement du R7284.

Action externe	R7284 Action
Puissance appliquée au régulateur.	Vérification de sécurité interne effectuée. Si aucune lumière ou flamme n'est détectée et que toutes les conditions internes sont correctes, le régulateur passe en mode de veille.
Le thermostat ou le régulateur Aquastat® lance un appel de chaleur.	<ol style="list-style-type: none"> 1. Vérification interne et externe (période de sécurité de 5 secondes) de présence de flamme ou de lumière. Si une flamme ou une lumière est détectée, le régulateur reste en mode de veille. 2. Lorsqu'aucune flamme ni lumière n'est présente : <ol style="list-style-type: none"> a. Le R7284G alimente le moteur du brûleur et l'allumeur. b. Le R7284B,P,U (si la temporisation de marche de vanne est active) alimente le moteur du brûleur et de l'allumeur, (si configuré) entre/termine la période de temporisation de marche de vanne puis alimente la vanne. 3. Le régulateur entre dans la période d'essai d'allumage. <ol style="list-style-type: none"> a. Surveille le brûleur pour détecter la flamme. b. Lorsqu'une flamme n'est pas détectée : <ol style="list-style-type: none"> (1) Passe en mode de verrouillage (après une durée de verrouillage de 15, 30 ou 45 secondes). (2) Ferme la vanne ou arrête le brûleur ou le moteur du brûleur. (3) Modèles d'affichage : affiche le mode de verrouillage. Modèles DEL : clignotement DEL 1/2 s sur marche, 1/2 s sur arrêt. (4) Appuyer sur le bouton « i » pendant 2 secondes pour revenir à la séquence de mise sous tension. c. Lorsque la flamme est détectée, la période de report commence : 4. Le régulateur commence la période de report d'allumage (continue l'étincelle pendant 10 secondes en mode interrompu). <ol style="list-style-type: none"> a. Modèles d'affichage : affiche « Flame Proven » (Flamme vérifiée). Modèles DEL : allume le DEL b. Si la flamme est perdue et que la durée de verrouillage n'a pas expiré, le R7284 revient à la période d'essai d'allumage c. Si la flamme est perdue et que la durée de verrouillage a expiré, le R7284 entre en mode de remise en marche. 5. La période de report expire; l'allumeur s'arrête si l'allumage est interrompu. 6. Entre en mode de fonctionnement : <ol style="list-style-type: none"> a. La flamme est surveillée jusqu'à ce que l'appel de chaleur se termine ou que la flamme est perdue. Si la flamme est perdue : <ol style="list-style-type: none"> (1) Le régulateur entre en mode de remise en marche. (2) La durée de remise en marche commence (60 secondes). (3) Le brûleur et la vanne sont éteints. (4) Modèles d'affichage : affiche « Recycle » (Remise en marche). Modèles DEL : clignotement DEL 2 s sur marche, 2 s sur arrêt. (5) Revient en mode de veille à la fin du mode de remise en marche.
L'appel de chaleur est satisfait.	<ol style="list-style-type: none"> 1. R7284B,G,P,U (si la temporisation d'arrêt du moteur du brûleur est désactivée) : <ol style="list-style-type: none"> a. Le moteur du brûleur et optionnellement la vanne à mazout et le brûleur s'éteignent. b. Modèles d'affichage : affiche « Standby » (Veille). Modèles DEL : Le DEL s'éteint c. Le voyant s'éteint. 2. R7284P,U (si la temporisation d'arrêt du moteur du brûleur est activée) : <ol style="list-style-type: none"> a. La vanne à mazout se ferme. b. Le moteur du brûleur tourne pour la durée de temporisation d'arrêt du moteur du brûleur sélectionnée. c. Le moteur du brûleur s'éteint. d. Le dispositif revient en mode de veille.
Réinitialiser trois fois le régulateur sans faire d'appel de chaleur (le nombre de réinitialisation est réglable sur certains régulateurs).	<ol style="list-style-type: none"> 1. Le R7284 entre en mode de restriction. 2. Le voyant clignote 1/2 s sur marche et 1/2 s sur arrêt. 3. Modèles d'affichage : affiche « Hard Lockout Call Service » (Verrouillage de 2e niveau, contacter le technicien). Modèles DEL : Clignotement DEL de 1/2 seconde sur marche, 1/2 seconde sur arrêt 4. Réinitialiser le dispositif en appuyant sur le bouton de réinitialisation pendant au moins 10 secondes.

Tableau 6. Informations sur le dépannage.

Condition : Le brûleur ne se lance pas avec l'appel de chaleur		
Procédure	Statut du régulateur	Action corrective
Revoir l'historique des erreurs si le régulateur est verrouillé	--	Consulter le tableau des codes d'erreur dans cette section
Vérifier que les limiteurs sont fermés	Modèles d'affichage : affiche le statut du limiteur.	Remplacer le limiteur ou nettoyer les contacts.
Vérifier le statut des TT.	Modèles d'affichage : affiche le statut des TT.	<ul style="list-style-type: none"> La plupart des systèmes à eau chaude nécessitent que les TT soient connectées à l'aide d'un cavalier. Les modèles d'affichage peuvent être configurés pour se comporter comme si les bornes TT étaient connectées par un cavalier. Les modèles DEL nécessitent l'ajout d'un cavalier. Les systèmes à air chaud court-circuitent les bornes TT durant l'appel de chaleur. Vérifier que les bornes TT sont réellement court-circuitées durant l'appel de chaleur.
Vérifier la tension secteur au R7284.	--	Vérifier le disjoncteur et le câblage de l'appareil
Vérifier le statut de la cellule de cadmium.	Modèles d'affichage : affiche la résistance de la cellule de cadmium. Modèles DEL : le DEL est allumé si la cellule de cadmium est trop faible pour être mise en marche.	<ul style="list-style-type: none"> Remplacer la cellule de cadmium Si le fonctionnement ne reprend pas, retirer les fils du R7284. Si le fonctionnement ne reprend pas, remplacer le régulateur.
Condition : Le brûleur ne s'arrête pas lorsque l'appel de chaleur prend fin		
Procédure	Statut du régulateur	Action corrective
Vérifier le statut des TT.	Modèles d'affichage : affiche le statut des TT.	<ul style="list-style-type: none"> Vérifier si un cavalier TT est installé. Lorsque l'Aquastat électronique R7284 et L7224/L7248 est connecté via le bus EnviraCOM, aucun cavalier physique sur les bornes TT ni de cavalier TT configuré ne doit être présent sur le régulateur à mazout primaire. Vérifier si le R7284 est configuré pour ignorer les bornes TT. Vérifier que les contacts du thermostat se sont ouverts. 24 V c.a. doivent être présents aux bornes TT lorsqu'il n'y a pas d'appel de chaleur.
Vérifier le statut du limiteur.	Modèles d'affichage : affiche le statut du limiteur.	Mesurer la tension au limiteur. Il ne doit pas y avoir de tension entre le limiteur et le neutre lorsque les contacts sont ouverts. Remplacer le limiteur si nécessaire.
Vérifier si d'autres dispositifs EnviraCOM commandent le fonctionnement du R7284.	Modèles d'affichage : l'affichage indique « TT Remote » (TT à distance si un dispositif EnviraCOM en commande le fonctionnement.	Débrancher tous les dispositifs EnviraCOM du R7284. Il doit s'éteindre dans les 5 minutes.

Tableau 7. Informations sur les alarmes de l'affichage.

Alarme de l'affichage	Número d'alarme EnviraCOM™	Action corrective
PAS D'ALLUMAGE VÉRIF. ALLUMEUR	10	<ul style="list-style-type: none"> Le brûleur n'était pas allumé et l'étincelle non détectée. Vérifier le bon fonctionnement des électrodes, des contacts à ressort (ou des fils haute tension) et du transformateur d'allumage. Si l'allumage à étincelle fonctionne correctement passer à l'action corrective « Pas d'allumage ».

Tableau 7. Informations sur les alarmes de l'affichage.

PAS D'ALLUMAGE VÉRIF. CELL CAD	5	<ul style="list-style-type: none"> • La cellule de cadmium a détecté une certaine quantité de lumière durant l'installation de l'essai d'allumage, mais pas suffisamment pour passer en mode de fonctionnement. Vérifier la position de la cellule de cadmium et en nettoyer l'œil. • Régler l'affichage pour qu'il indique la résistance de la cellule. • Protéger la cellule de la lumière. • Si l'affichage indique moins de 20 000 ohms, débrancher la cellule de cadmium. <ul style="list-style-type: none"> — Si l'affichage n'indique pas 999999 ohms, remplacer le régulateur. — S'il indique 999999 ohms, remplacer la cellule. • Exposer la cellule à la lumière ambiante (une lumière suffisante pour lire est généralement ok) • Si l'affichage indique plus de 2000 ohms, court-circuiter les bornes de la cellule. <ul style="list-style-type: none"> — Si l'affichage indique plus de 5 ohms, remplacer le régulateur. — S'il indique moins de 5 ohms, remplacer la cellule. • Si le brûleur ne s'allume toujours pas, passer à l'action corrective « Pas d'allumage ».
PAS D'ALLUMAGE	20	<ul style="list-style-type: none"> • Vérifier que le robinet manuel est ouvert. • Vérifier que le moteur du brûleur tourne et que la pompe génère une pression suffisante. • Vérifier la condition de la buse et la remplacer au besoin. • Si une vanne est présente, vérifier qu'elle fonctionne bien. • Vérifier les réglages du brûleur (consulter les instructions du fabricant du brûleur)
BASSETENSION XX % FAIBLE	59	<ul style="list-style-type: none"> • La tension d'alimentation est faible au régulateur. • Mesurer la tension entre les bornes à vis 2 et 3 <ul style="list-style-type: none"> — Si elle est supérieure à 22 V c.a. et que l'erreur persiste, remplacer le régulateur. — Si elle est inférieure à 22 V c.a., consulter le câblage de l'appareil.
ERREUR INTERNE	18, 58	<ul style="list-style-type: none"> • Une erreur a été détectée dans le régulateur. Remplacer le régulateur si l'erreur persiste.
FLAMME ÉTABLIE HORS SÉQUENCE	34	<ul style="list-style-type: none"> • La cellule présente une faible résistance permanente. Elle doit généralement être largement supérieure à 20 000 ohms lorsqu'il n'y a pas de flamme. • Régler l'affichage pour qu'il indique la résistance de la cellule. • Protéger la cellule de la lumière. • Si l'affichage indique moins de 20 000 ohms, débrancher la cellule de cadmium. <ul style="list-style-type: none"> — Si l'affichage n'indique pas 999999 ohms, remplacer le régulateur. — S'il indique 999999 ohms, remplacer la cellule.
FLAMME ÉTABLIE DURANT PRÉPURGE	23	<ul style="list-style-type: none"> • La flamme a été vérifiée durant la période de temporisation de marche de la vanne. Vérifier que la vanne à mazout fonctionne bien. • Si le système n'est pas muni d'une vanne à mazout, régler la temporisation d'ouverture de la vanne sur 0.
FLAMME ÉTABLIE DURANT POSTPURGE	24	<ul style="list-style-type: none"> • La flamme est restée allumée durant la temporisation d'arrêt du brûleur. Vérifier que la vanne à mazout fonctionne bien. • Si le système n'est pas muni d'une vanne à mazout, régler la temporisation d'arrêt de la vanne sur 0.
DÉPASSÉ RECYCLAGES MAX	22	<ul style="list-style-type: none"> • La flamme est éteinte plus de fois que le nombre permis. Le brûleur s'allume mais ne reste pas allumé. • Vérifier que le réservoir de carburant n'est pas vide. • Vérifier que les conduites d'alimentation et le filtre ne sont pas obstrués ou emplis d'air <ul style="list-style-type: none"> — Utiliser la fonction d'amorçage de la pompe pour purger l'air du système • Vérifier que le moteur du brûleur tourne et que la pompe génère une pression suffisante. • Si une vanne à mazout est présente, en vérifier le fonctionnement. • Si le problème persiste, passer à l'action corrective « Cad Cell, High During Run » (Résistance de cellule élevée durant le fonctionnement).

Tableau 7. Informations sur les alarmes de l'affichage.

ERREUR ECOM	91	<ul style="list-style-type: none"> • Une erreur de communication a été détectée. • Retirer tous les dispositifs des connexions EnviraCOM™, de la fiche à trois broches et des bornes à vis 1-2-3. <ul style="list-style-type: none"> — Si l'erreur persiste au-delà d'une minute, mesurer la tension aux bornes 2 et 3. — Si la tension aux bornes 2 et 3 est entre 20 V c.a. et 30 V c.a., remplacer le régulateur. — Si elle est en dehors de cette plage, revoir le câblage de l'appareil. Il doit y avoir environ 24 V c.a. aux bornes 2 et 3.
CELLULE CADMIUM ÉLEVÉ EN MARCHÉ	4	<ul style="list-style-type: none"> • La résistance de la cellule est supérieure à la normale lors du fonctionnement, le système a besoin d'être ajusté. • Vérifier que la cellule de cadmium est bien alignée et nettoyer l'œil si nécessaire. • Vérifier que la pompe génère une pression suffisante. • Vérifier les réglages du brûleur (consulter les instructions du fabricant du brûleur). • Vérifier qu'il n'y a pas d'amas de suie excessif dans le brûleur et le carneau. • Vérifier que le carneau n'est pas bloqué.
FLAMME ÉTABLIE DÉLAI DURANT ALL	9	<ul style="list-style-type: none"> • Le brûleur s'allume très tardivement durant l'essai d'allumage et est susceptible de ne pas s'allumer. • Vérifier que la cellule de cadmium est bien alignée et nettoyer si nécessaire. • Vérifier les réglages du brûleur (consulter les instructions du fabricant du brûleur) • Vérifier les électrodes et les contacts à ressort (le cas échéant) et régler selon les recommandations du fabricant. • Vérifier que la pompe génère une pression suffisante. • Vérifier que les conduites d'alimentation et le filtre ne sont pas obstrués.

Tableau 8. Codes de clignotement DEL.

Code de clignotement DEL	Numéro d'alarme EnviraCOM™	Action corrective
1	10,5,20,59,9	<p>Le brûleur n'était pas allumé ni allumé vers la fin de l'essai d'allumage.</p> <ul style="list-style-type: none"> • Vérifier que le robinet manuel est ouvert. • Vérifier que le moteur du brûleur tourne et que la pompe génère une pression suffisante. • Vérifier la condition de la buse et la remplacer au besoin. • Vérifier que les conduites d'alimentation et le filtre ne sont pas obstrués ou remplis d'air. • Vérifier le bon fonctionnement des électrodes, des contacts à ressort (ou des fils haute tension) et du transformateur d'allumage. • Si une vanne est présente, vérifier qu'elle fonctionne bien. • Vérifier les réglages du brûleur (consulter les instructions du fabricant du brûleur) et si l'étincelle n'a pas été détectée. • Vérifier la position de la cellule de cadmium et en nettoyer l'œil. • Exposer la cellule à la lumière ambiante (une lumière suffisante pour lire est généralement ok) <ul style="list-style-type: none"> — Si le voyant DEL ne s'allume pas, court-circuiter les bornes de la cellule. — Si le voyant DEL ne s'allume pas, remplacer le régulateur. — Si le voyant DEL s'allume, remplacer la cellule. • Protéger la cellule de la lumière. <ul style="list-style-type: none"> — Si le voyant DEL ne s'éteint pas, débrancher la cellule. — Si le voyant DEL ne s'éteint pas, remplacer le régulateur. — Si le voyant DEL s'éteint, remplacer la cellule.
2	22,4	<p>La flamme est éteinte plus de fois que le nombre permis. Le brûleur s'allume mais ne reste pas allumé, ou la cellule de cadmium a une résistance trop élevée durant le cycle de fonctionnement.</p> <ul style="list-style-type: none"> • Vérifier que le réservoir de carburant n'est pas vide. • Vérifier que les conduites de carburant et le filtre ne sont pas obstrués ou remplis d'air et utiliser la fonction d'amorçage de la pompe pour purger l'air du système. • Vérifier que la cellule de cadmium est bien alignée et nettoyer l'œil si nécessaire. • Vérifier que le moteur du brûleur tourne et que la pompe génère une pression suffisante. • Si une vanne à mazout est présente, en vérifier le fonctionnement. • Vérifier les réglages du brûleur (consulter les instructions du fabricant du brûleur). • Vérifier qu'il n'y a pas d'amas de suie excessif dans le brûleur et le carneau. • Vérifier que le carneau n'est pas bloqué.
3	23,24,34	<p>Flamme hors séquence détectée.</p> <ul style="list-style-type: none"> • Vérifier que la vanne à mazout fonctionne bien (si présente). • Exposer la cellule à la lumière ambiante (une lumière suffisante pour lire est généralement ok) <ul style="list-style-type: none"> — Si le voyant DEL ne s'allume pas, court-circuiter les bornes de la cellule. — Si le voyant DEL ne s'allume pas, remplacer le régulateur. — Si le voyant DEL s'allume, remplacer la cellule. • Protéger la cellule de la lumière. <ul style="list-style-type: none"> — Si le voyant DEL ne s'éteint pas, débrancher la cellule. — Si le voyant DEL ne s'éteint pas, remplacer le régulateur. — Si le voyant DEL s'éteint, remplacer la cellule.
4	59,91	<ul style="list-style-type: none"> • La tension d'alimentation était faible au régulateur ou une erreur de communication a eu lieu. • Retirer tous les dispositifs des connexions EnviraCOM™, de la fiche à trois broches et des bornes à vis « 1-2-3 ». <ul style="list-style-type: none"> — Mesurer la tension entre les bornes à vis 2 et 3. — Si elle est comprise entre 22 et 30 V c.a. et que l'erreur persiste, remplacer le régulateur. — Si elle est en dehors de cette plage, revoir le câblage de l'appareil. Il doit y avoir environ 24 V c.a. aux bornes 2 et 3.
5	18, 58	<p>Une erreur a été détectée dans le régulateur. Remplacer le régulateur si l'erreur persiste.</p>

Solutions de régulation et d'automatisation

Honeywell International Inc.
1985 Douglas Drive North
Golden Valley, MN 55422

Honeywell Limited-Honeywell Limitée
35, Dynamic Drive
Toronto (Ontario) M1V 4Z9
customer.honeywell.com

© Marque de commerce déposée aux É.U.
© 2011 Honeywell International Inc.
Tous droits réservés
69-2467EFS—05 M.S. Rev. 04-11
Imprimé aux États-Unis

Honeywell

Control electrónico primario de aceite R7284B,P,U,G habilitado con EnviraCOM™

INSTRUCCIONES DE INSTALACIÓN

APLICACIÓN

El control electrónico primario de aceite R7284B,P,U,G es un control primario de aceite de voltaje de línea con clasificación de seguridad y con encendido interrumpido e intermitente para quemadores residenciales a aceite, empleados en calderas, sistemas de calefacción de aire forzado y calentadores de agua. El uso del R7284B,P,U,G con un sensor de llama de célula de cadmio hace funcionar un quemador de aceite, un encendedor por chispa y una válvula de aceite opcional. El control funciona con un termostato de bajo voltaje y de alto voltaje opcional. El control primario monitorea el fueloil, detecta la llama, controla el encendedor por chispa (ya sea interrumpido o intermitente) y comunica, mediante el bus EnviraCOM™, un circuito de alarma remota cuando hay un bloqueo.

La serie R7284 de controles primarios de aceite pueden emplearse tanto en sistemas hidrónicos como de aire forzado. Cuando los usa con sistemas hidrónicos, los controladores Aquastat® generalmente proporcionan conmutación de voltaje de línea para el encendido y el apagado de las secuencias de combustión. Con sistemas de aire forzado, tanto los termostatos electrónicos y mecánicos de bajo voltaje controlan el encendido y el apagado del proceso de combustión.

Algunos sistemas hidrónicos y de aire forzado necesitan un retardo de activación de la válvula y un retardo de apagado del motor del quemador. El R7284 opera una válvula de aceite que evita el flujo de aceite cuando el motor del quemador funciona antes de la combustión (retardo de activación de la válvula) y cuando el motor del quemador funciona después de la combustión (retardo de apagado del motor del quemador).

Los modelos R7284 están destinados únicamente para artefactos a aceite que no necesiten pre- y postpurga como una función relacionada con la seguridad, según se define en UL296. El retardo de activación de la válvula y el retardo de apagado del motor del quemador de este control están destinados únicamente a ayudar a establecer la corriente de aire y a reducir el aceite después de problemas relacionados con goteos.

Los controles R7284 habilitados con EnviraCOM™ pueden emplearse con sistemas de monitorización a distancia y diagnósticos manuales. Use únicamente los modelos R7284P y U para interconectar con otros dispositivos habilitados con EnviraCOM™.

CARACTERÍSTICAS

Interfaz de usuario

Existen dos interfaces de usuario: básica y avanzada. Ambas interfaces constan de tres botones: ▲, ▼, e "i".

La interfaz avanzada tiene una pantalla de dos líneas que se usa para configurar los parámetros del dispositivo, recuperar información de diagnóstico y mostrar el estado del sistema.

La interfaz básica tiene un solo indicador LED que se usa para mostrar códigos de error y el estado del sistema.

En general, el botón "i" recorre las opciones de pantalla y funciona como una tecla "enter" (en los modos de configuración).

Termostato(s)

Los controles primarios de aceite son compatibles tanto con los termostatos estándar y con los termostatos de comunicación EnviraCOM™.

Recirculación limitada

Esta función restringe la cantidad de pruebas de recirculación (para cada orden de calefacción) a un máximo de tres pruebas. Si la llama se apaga tres veces y no cumple satisfactoriamente una orden de calefacción, el R7284 se bloquea.

Ciclo de cebado de la bomba

Para facilitar la purga de aire de los filtros y de las líneas de aceite, se puede configurar el R7284 en una rutina de purgado si presiona y suelta el botón de flecha hacia arriba durante la prueba de encendido.

En la interfaz avanzada se muestra "PUMP PRIME" (cebado de la bomba) en la pantalla, junto con el tiempo restante de la prueba de encendido (*Trial for Ignition*, TFI). Si presiona el botón de flecha hacia arriba, se agregará un minuto al tiempo de TFI, con un máximo de 10 minutos adicionales (presione el botón de flecha hacia arriba 10 veces). Presione el botón de flecha hacia abajo para restar un minuto del tiempo de TFI.

No hay una indicación visual para el control con interfaz básica, y el tiempo de purga está limitado a cinco minutos.

Función de desactivación

Presione y mantenga presionado el botón "i" para desactivar todas las funciones del control hasta tres segundos después de soltar el botón.

Modos de bloqueo

El R7284 tiene tres tipos de modos de bloqueo que se aplican cuando se detecta un error:

- **Bloqueo suave:** causado por un error interno momentáneo, como bajo voltaje. El control se restablece automáticamente cuando ya no se detecta el error.
- **Bloqueo absoluto:** causado por una falla interna del control o por una falla en el sistema, como llama fuera de secuencia. Un bloqueo absoluto ocasionará la falta de calefacción. Para reiniciar el Bloqueo absoluto, presione y mantenga presionado el botón "i" durante dos segundos.
- **Bloqueo restringido:** causado por muchos bloqueos absolutos consecutivos durante el mismo ciclo de calefacción. Para reiniciar el bloqueo restringido, presione y mantenga presionado el botón "i" durante diez segundos.

Resistencia de la célula de cadmio

Se puede verificar la resistencia de la célula de cadmio sin usar un medidor de ohmios.

Interfaz básica:

Presione y suelte el botón "i". Los destellos que aparecen indican la resistencia. Consulte la Tabla 3.

Interfaz avanzada:

Se muestra la resistencia de la célula de cadmio en la pantalla.

Retardos de activación de la válvula/retardos de apagado del motor del soplador

Algunos modelos pueden contar con retardos fijos o ajustables para la apertura de la válvula o para el apagado del motor del soplador. Los circuitos de seguridad realizarán verificaciones para detectar la llama durante estos retardos y, si hay llama, bloquearán el control.

ESPECIFICACIONES

Modelos:

La Tabla 1 enumera las principales características del R7284.

Duración:

Retardo de activación de la válvula: de 0 a 30 segundos.
Retardo de apagado del quemador: de 0 a 8 minutos.

Bloqueo: 15, 30 ó 45 segundos.
Recirculación: 60 segundos (fijos).
Carga del encendido: 10 segundos (fijos).

NOTA: algunos modelos cuentan con retardo de activación de la válvula, retardo de apagado del quemador y tiempo de bloqueo ajustables.

Clasificación eléctrica:

Entradas:

Voltaje: de 102 a 132 V CA, 120 V CA nominal.
Corriente: 0.5 A, más cargas del encendedor, la válvula y el motor del quemador.
Frecuencia: 60 Hz.

Salidas:

Contactos del relé:
Quemador: 120 V CA, 10 amperes a plena carga (FLA), 60 amperes con rotor bloqueado (LRA).
Válvula: 120 V CA, 1 A.
Encendedor: 120 V CA, 3 A.
Apagado por bajo voltaje: 80 V CA.
Corriente del termostato disponible: 100 mA.
Corriente del EnviraCOM™ disponible: 150 mA.

NOTA: reduzca el amperaje a plena carga del quemador según la carga del encendedor. Por ejemplo, si el encendedor consume 3A (120 V CA, 360 VA), reduzca el amperaje a plena carga del motor del quemador a 7A.

Código de color de los cables de los componentes típicos:

Blanco: neutro.
Negro: línea.
Naranja: motor.
Azul o azul con bandas blancas: encendedor.
Violeta: válvula.
Rojo: límite.

NOTA: el R7284 tiene terminales de conexión rápida de 6 mm (1/4").

Parámetros ambientales:

Temperatura de funcionamiento/envío: -40 °C a +66 °C (-40 °F a +150 °F).

Es posible que no se muestre texto en temperaturas inferiores a -20 °C (-4 °F)

Humedad: de 0% a 95% de humedad relativa a 40 °C (104 °F), sin condensación.

Accesorios:

Módulo de alarma W8735S3000

Aprobaciones:

Underwriters Laboratories Inc.: reconocido (archivo MP268).

Canadian Underwriters Laboratories Inc.

Tabla 1. Modelos R7284.

Modelo	Límite	Valve	Notas
R7284B	No	Sí	Únicamente retardo de activación de la válvula
R7284G	No	No	Sin retardos de activación/apagado, encendido intermitente (cablear el encendedor con el motor)
R7284P	Sí	Sí	Retardos de activación y apagado
R7284U	Sí	Sí	Retardos de activación y apagado

INSTALACIÓN

Cuando instale este producto...

1. Lea detenidamente estas instrucciones. De no seguir las, se podría dañar el producto o provocar una situación peligrosa.
2. Verifique los valores nominales especificados en las instrucciones y en el producto para asegurarse de que el producto sea adecuado para su aplicación.
3. Asegúrese de que el instalador sea un técnico de servicio capacitado y experimentado.
4. Use estas instrucciones para verificar el funcionamiento del producto después de la instalación.

⚠ ADVERTENCIA

Peligro de descarga eléctrica. Puede causar lesiones graves, muerte o daño a la propiedad.

Desconecte el suministro eléctrico antes de comenzar la instalación para evitar descargas eléctricas o daños al equipo. Es posible que exista más de un interruptor de desconexión.

Ubicación

1. Instálelo en una caja de empalmes de 102 x 102 mm (4 x 4 in), directamente sobre el quemador principal o dentro del gabinete del artefacto. En aplicaciones de reemplazo, instálelo en la misma ubicación que el control anterior. Consulte la Fig. 1. Asegúrese de que las temperaturas de funcionamiento se encuentren dentro del rango de temperatura ambiente (consulte la sección Especificaciones).
2. Antes de instalar el control, realice las conexiones del voltaje de línea, tal como se muestra en las Fig. 2 a 10. Una las líneas con conectores sin soldadura. No exceda los valores nominales de carga que se muestran en la etiqueta del dispositivo.
3. Si es necesario, use el control como plantilla para marcar y realizar nuevos agujeros de montaje.
4. Instale el dispositivo con tornillos № 6 (no incluidos).

CABLEADO

⚠ ADVERTENCIA

Peligro de descarga eléctrica. Puede causar lesiones graves, muerte o daño a la propiedad.

Desconecte el suministro eléctrico antes de comenzar con el cableado, para evitar descargas eléctricas o daños al equipo. Es posible que exista más de un interruptor de desconexión.

1. Asegúrese de que el cableado cumpla con todas las ordenanzas y los códigos locales.
2. Verifique para asegurarse de que el cableado del voltaje de línea esté conectado correctamente. Consulte la etiqueta del control primario de aceite y el diagrama de cableado del artefacto para ver los códigos de color.
3. Después de la instalación, realice las conexiones de bajo voltaje con los terminales de tornillo (consulte las Fig. 2 a 10).
4. Pele los conductores a 10 mm (3/8 in) e insértelos debajo del tornillo de terminal.
5. Conecte los conectores del termostato a T-T (o 1, 2, 3 si hay un EnviraCOM™) si la instalación así lo requiere.

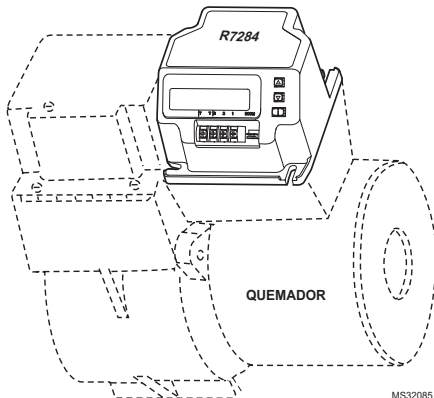


Fig. 1. Montaje del R7284 en la caja de empalmes.

VERIFICACIÓN

Encendido del sistema

⚠ ADVERTENCIA

Peligro de incendio o explosión. Puede causar lesiones graves, muerte o daño a la propiedad.

Asegúrese de que la cámara de combustión no tenga aceite ni vapor de aceite antes de poner en marcha el sistema.

1. Abra la válvula manual de la línea de suministro de aceite.
2. Asegúrese de que el sistema tenga energía. Verifique el interruptor de circuito o el fusible y cierre el interruptor del sistema, si estuviera incluido.
3. Configure el termostato para que emita una orden de calefacción.
4. Asegúrese de que el quemador se encienda y funcione hasta que cese la orden de calefacción. Observe la resistencia de la célula de cadmio mientras está funcionando.
5. Verifique que el quemador se apague cuando se haya cumplido la orden de calefacción del termostato.

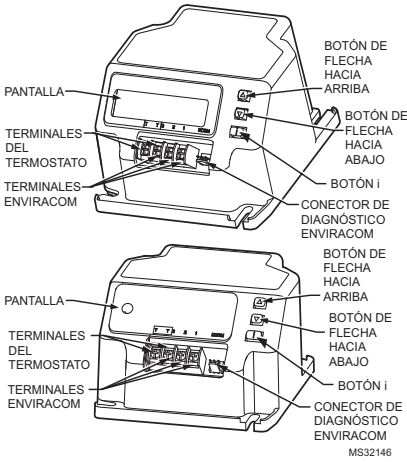


Fig. 2. Ubicación de los terminales, conectores, indicadores LED, botón de reinicio e interruptor DIP del R7284.

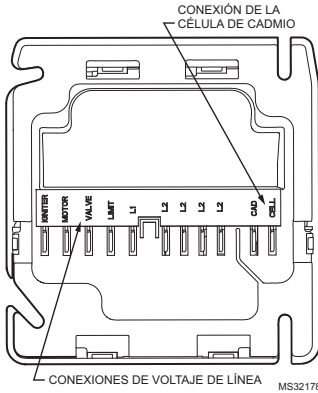


Fig. 3. Conexiones de cableado del R7284.

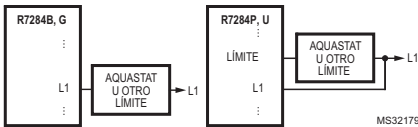


Fig. 4. Cableado de límite para el termostato de voltaje de línea, el Aquastat o para otro límite del R7284.

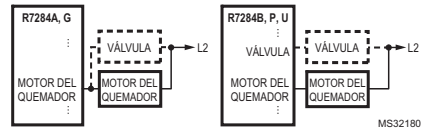


Fig. 5. Cableado para la válvula de aceite opcional del R7284.

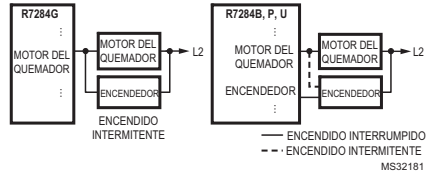
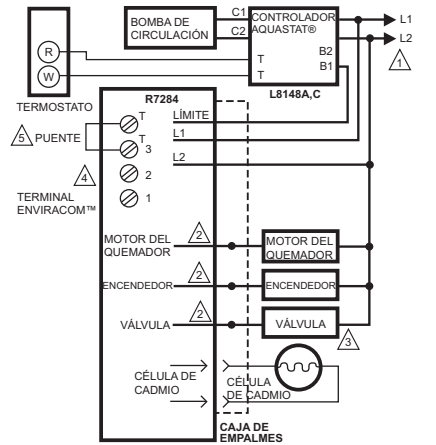


Fig. 6. Cableado del encendedor del R7284.



LEYENDA TERMINAL DE TORNILLO TERMINAL DE CONEXIÓN RÁPIDA DE 6 MM (1/4 IN) CONECTOR DE CABLES SIN SOLDADURA

SUMINISTRO ELÉCTRICO. PROPORCIONE LOS MEDIOS DE DESCONEXIÓN Y DE PROTECCIÓN CONTRA SOBRECARGAS SEGÚN SE REQUIERA.

CONSULTE LA ETIQUETA DEL DISPOSITIVO PARA VER EL CÓDIGO DE COLOR DE LOS CABLES.

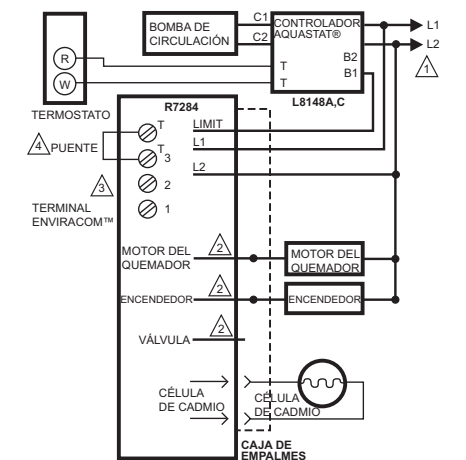
LA VALVULA ES OPCIONAL EN MODELOS ESPECÍFICOS.

EL TERMINAL ENVIRACOM™ 3 TAMBIÉN ES EL PRIMER TERMINAL DEL TERMOSTATO.

SE PUEDE OMITIR EL PUNTE SI EL R7284 ES CONFIGURADO PARA IGNORAR LOS TERMINALES TT.

MS32182

Fig. 7. Cableado del R7284P,U sin EnviraCOM™, para calderas a aceite típicas.



LEYENDA: TERMINAL DE TORNILLO → TERMINAL DE CONEXIÓN RÁPIDA DE 6 MM (1/4 IN)
 CONECTOR DE CABLES SIN SOLDADURA

SUMINISTRO ELÉCTRICO. PROPORCIONE LOS MEDIOS DE DESCONEXIÓN Y DE PROTECCIÓN CONTRA SOBRECARGAS SEGÚN SE REQUIERA.

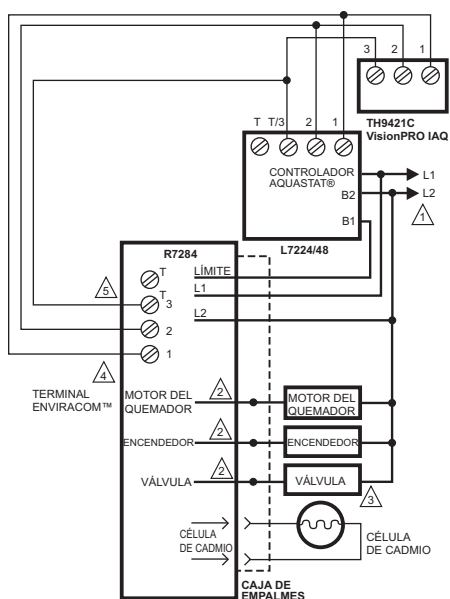
CONSULTE LA ETIQUETA DEL DISPOSITIVO PARA VER EL CÓDIGO DE COLOR DE LOS CABLES.

EL TERMINAL ENVIRACOM™ 3 TAMBIÉN ES EL PRIMER TERMINAL DEL TERMOSTATO.

SE PUEDE OMITIR EL PUENTE SI EL R7284 ES CONFIGURADO PARA IGNORAR LOS TERMINALES TT.

MS32191

Fig. 8. Cableado del R7284U, sin EnviraCOM™, para calderas a aceite típicas.



LEYENDA: TERMINAL DE TORNILLO → TERMINAL DE CONEXIÓN RÁPIDA DE 6 MM (1/4 IN)
 CONECTOR DE CABLES SIN SOLDADURA

SUMINISTRO ELÉCTRICO. PROPORCIONE LOS MEDIOS DE DESCONEXIÓN Y DE PROTECCIÓN CONTRA SOBRECARGAS SEGÚN SE REQUIERA.

CONSULTE LA ETIQUETA DEL DISPOSITIVO PARA VER EL CÓDIGO DE COLOR DE LOS CABLES.

LA VÁLVULA ES OPCIONAL EN MODELOS ESPECÍFICOS.

EL TERMINAL ENVIRACOM™ 3 TAMBIÉN ES EL PRIMER TERMINAL DEL TERMOSTATO.

NO CONECTE EL PUENTE EN LOS TERMINALES TT NI CONFIGURE EL TT INTERNO A "YES" ("SI") CUANDO EL PRIMARIO DE ACEITE Y EL AQUASTAT ESTÁN CONECTADOS MEDIANTE EL BUS ENVIRACOM.

MS32183A

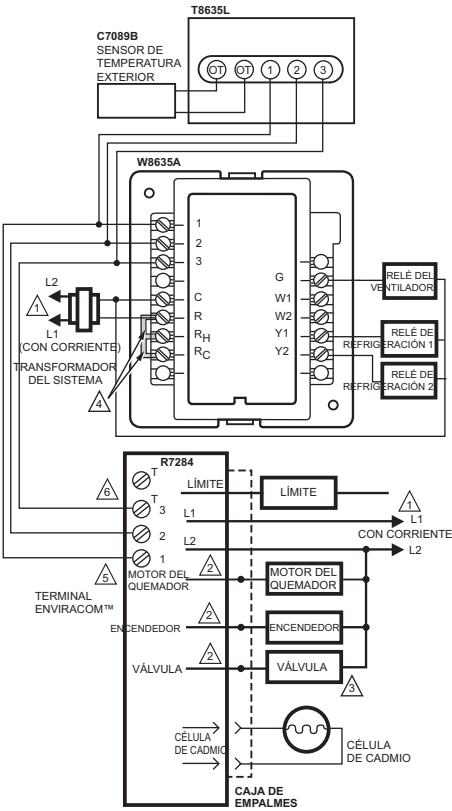
Fig. 9. Cableado del R7284P,U con conexiones EnviraCOM™, para calderas a aceite típicas.

IMPORTANTE

Quando el control primario de aceite R7284 se comunica con el Aquastat L7224/L7248 mediante el bus EnviraCOM, no instale un puente a los terminales TT ni configure el TT interno a "YES" ("SI"). Ello ocasionará un funcionamiento inadecuado del quemador.

IMPORTANTE

El sistema, tal como se muestra en la Fig. 10, es sensible a la polaridad/fase. Asegúrese de que toda la energía de entrada sea de la misma fase.



LEYENDA: TERMINAL DE TORNILLO → TERMINAL DE CONEXIÓN RÁPIDA DE 6 MM (1/4 IN)
 CONECTOR DE CABLES SIN SOLDADURA

- SUMINISTRO ELÉCTRICO. PROPORCIONE LOS MEDIOS DE DESCONEXIÓN Y DE PROTECCIÓN CONTRA SOBRECARGAS SEGUN SE REQUIERA.
- CONSULTE LA ETIQUETA DEL DISPOSITIVO PARA VER EL CÓDIGO DE COLOR DE LOS CABLES.
- LA VÁLVULA ES OPCIONAL EN MODELOS ESPECÍFICOS.
- PUENTES INSTALADOS EN FÁBRICA.
- EL TERMINAL ENVIRACOM™ 3 TAMBIÉN ES EL PRIMER TERMINAL DEL TERMOSTATO.
- NO CONECTE EL PUENTE EN LOS TERMINALES TT NI CONFIGURE EL TT INTERNO A "YES" ("SI) CUANDO EL PRIMARIO DE ACEITE Y EL AQUASTAT ESTÁN CONECTADOS MEDIANTE EL BUS ENVIRACOM.

MS32184A

Fig. 10. Diagrama de cableado típico para termostatos y R7284P,U habilitados con EnviraCOM™ para un sistema de aire forzado a aceite.

INTERFAZ DE USUARIO AVANZADA

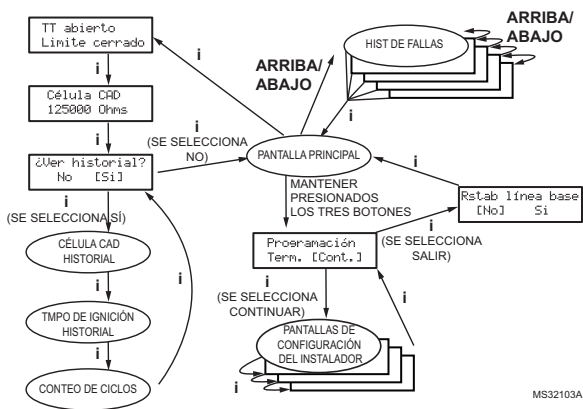


Fig. 11. Generalidades de la interfaz de usuario.

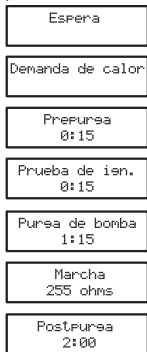
Pantallas principales

Si presiona el botón "i" durante más de dos segundos en un estado distinto al modo de espera, se interrumpirá el funcionamiento del control.

Una vez que suelta la tecla, comienza la cuenta regresiva.

- Si mantiene presionados los tres botones simultáneamente durante más de dos segundos en cualquier estado, ingresará a la configuración del instalador (ISU).
- Si presiona "i" en cualquier estado, ingresará a la pantalla de diagnóstico (si los diagnósticos están habilitados).
- Si presiona arriba o abajo en cualquier pantalla, ingresará al historial de errores (si los diagnósticos están habilitados).

A continuación, encontrará una progresión típica de las pantallas en un ciclo normal.

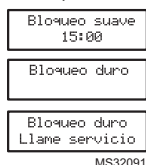


MS32090

Si presiona arriba o abajo durante la prueba de encendido, ingresará a la opción de cebado de la bomba.

Cada presión del botón de flecha hacia arriba agrega un minuto; cada presión del botón de flecha hacia abajo resta un minuto del tiempo de cebado de la bomba.

Si en algún momento ocurre algún incidente que genere un bloqueo, se mostrará una de las siguientes pantallas.



MS32091

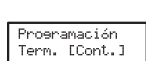
El control se encuentra en bloqueo suave. El control se restablecerá cuando el error desaparezca o luego de un tiempo.

El control se encuentra en bloqueo absoluto. Mantenga presionado el botón "i" durante, al menos, dos segundos para reiniciar.

Mantenga presionado el botón "i" durante más de 10 segundos para regresar al modo de espera.

Configuración del instalador

Para ingresar a la configuración del instalador, presione los tres botones simultáneamente durante dos segundos.

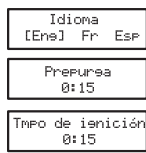


MS32092

Si selecciona "QUIT" (salir), con una presión del botón "i" se mostrará la opción de volver al punto de referencia.

Si selecciona "CONT" (continuar), con una presión del botón "i" ingresará a "Installer Setup" (configuración del instalador).

NOTA: no todos los parámetros son ajustables en todos los modelos. Los parámetros que no puedan ajustarse mostrarán "Locked" (bloqueado) cuando intente modificarlos.



MS32093

Seleccione entre inglés, francés o español con los botones de flecha hacia arriba y hacia abajo, y el botón "i" para seleccionar el ajuste del retardo de activación de la válvula en incrementos de cinco segundos.

Ajuste del tiempo de encendido (bloqueo).

NOTA: el tiempo de encendido puede ajustarse únicamente durante los primeros 100 ciclos de funcionamiento. Después de los 100 ciclos, el tiempo de encendido se bloquea y ya no puede ser ajustado.

Postpurga
2:00

Ajuste del retardo de apagado del quemador.

TT interno
[No] Si

Configuración de los terminales TT vs. un "puente interno".

Chispa en Prepra
[No] Si

Controla las chispas durante un período de retardo de activación. Configure el TT a "NO" cuando conecte el control primario de aceite al Aquastat® L7224/L7248 mediante los terminales 1, 2, 3 del bus EnviraCOM.

Chispa en marcha
[No] Si

Controla las chispas durante el modo de funcionamiento (encendido interrumpido vs. intermitente).

Rest. Permisibles
0 1 [3] NOLIM

Cantidad permitida de veces que se puede reiniciar antes de un bloqueo restringido.

Tipo de aparato
[Clid] [Cnt] [Cda]

Configuración del artefacto (caldera, sistema de calefacción, calentador de agua) para el EnviraCOM™.

Ver diagnósticos
[No] Si

Habilita el modo de diagnósticos avanzados y el historial de errores.

Programación
[Term.] Cont.

Sale de la configuración del instalador.

Rstab línea base
[No] Si

Si selecciona "QUIT" (salir), se le preguntará al usuario en la pantalla si desea volver el control al punto de referencia.

MS32101

El punto de referencia del control es un medio para guardar la información de rendimiento del control al momento en el que estaba funcionando de manera óptima. Los valores del punto de referencia son una "tendencia" de los primeros 500 ciclos después de una instalación o de un comando de "volver al punto de referencia", y esta tendencia es suministrada como método de comparación del rendimiento actual del quemador con el rendimiento al momento de la instalación inicial o al momento del servicio de mantenimiento. Al usar la información del punto de referencia, es posible controlar el sistema del quemador en busca de degradación y permitirle a un técnico de servicio tratar cualquier problema antes de quedar sin calefacción. Después de realizar el servicio de mantenimiento, es posible que quiera restablecer el punto de referencia mediante el menú de configuración del instalador.

NOTA: el volver al punto de referencia establecerá nuevos valores de punto de referencia para la célula de cadmio y el tiempo de encendido que existan en adelante. También restablecerá los contadores de los "ciclos desde el punto de

referencia", de los "bloqueos desde el punto de referencia" y de las "recirculaciones desde el punto de referencia" nuevamente a cero.

TT abierto
Limite abierto

MS32094

Muestra el estado de las entradas de límite y de los terminales TT. Observe que "TT remoto" significa que el EnviraCOM™ está controlando el R7284 para que funcione de manera opuesta al estado de los terminales TT.

Célula CAD
75,265 Ohms

Presione "i" para continuar con la próxima pantalla

¿Ver historial?
[No] Si

MS32102

Valor actual de la célula de cadmio. Presione "i" para continuar con la próxima pantalla

Si selecciona NO, "i" vuelve a la pantalla principal

Si selecciona "YES" (sí), "i" continúa a través de las pantallas de diagnóstico.

Las pantallas de historial pueden brindar información útil acerca del rendimiento pasado de los controles, incluso el historial reciente, como las tendencias de ciclo (utilizando la función de punto de referencia) y los ciclos totales desde la instalación.

Visualización del historial

Desde la pantalla de diagnóstico, desplácese hacia la pantalla "View History" (ver historial) y seleccione "YES" (sí). Desplácese a través de la información de rendimiento con los botones de flecha hacia arriba y hacia abajo.

Célula CAD

La pantalla de célula de cadmio automáticamente se desplaza cuatro pantallas.

Último ciclo
200 ohms

Valor promedio de la célula de cadmio durante el último ciclo.

Últimos 10 cicl.
250 ohms

Tendencia de la célula de cadmio de los últimos 10 ciclos.

Línea referencia
200 Ohms

MS32095

Tendencia de la célula de cadmio de los primeros 500 ciclos.

Presione "i" en cualquiera de las pantallas de la célula de cadmio para ingresar a las pantallas de tiempo de encendido que se detallan a continuación.

Tiempo de ignición

La pantalla de tiempo de encendido automáticamente se desplaza cuatro pantallas.

Último tiempo
11 seconds

Último tiempo de encendido.

Últimos 10 cicl.
11 seconds

Tendencia del tiempo de encendido de los últimos 10 ciclos.

Línea referencia
8 seconds

MS32096

Tendencia del tiempo de encendido de los primeros 500 ciclos.

Presione "i" en cualquiera de las pantallas de tiempo de encendido para ingresar a la pantalla de conteo de ciclos que se detalla a continuación.

187432 Ciclos de quem.	Ciclos totales del quemador.
8768 Ciclos Desde línea ref	Ciclos del quemador desde el último servicio de mantenimiento (reinicio del punto de referencia).
5 Reciclos Desde línea ref	Pérdidas de la llama desde el último servicio de mantenimiento (reinicio del punto de referencia).
2 Fallas ien. Desde línea ref	Fallas en el encendido desde el último servicio de mantenimiento (reinicio del punto de referencia).

MS32097

Con la próxima presión regresará a la pantalla "View History" (ver historial), donde el usuario podrá salir a la pantalla principal o regresar nuevamente al historial de rendimiento.

Pantallas de historial de errores

Para todas las pantallas de historial de errores, presione "i" para regresar a la pantalla normal.

Hist de fallas

MS32098

Desde la pantalla principal, presione el botón de flecha hacia arriba para mostrar el error más reciente.

Error 1	No hay ignición	último ciclo
---------	-----------------	--------------

MS32099

Presione nuevamente el botón de flecha hacia arriba para continuar con el próximo error más reciente, o el botón de flecha hacia abajo para regresar a la pantalla anterior de errores.

Error 3	Excedidos Reciclados máx	5 ciclos pasados
---------	--------------------------	------------------

MS32100

Estas tres pantallas cambian cada tres segundos.

Si no se registran más errores, la pantalla muestra "Error History End" (fin del historial de errores).

INTERFAZ DE USUARIO BÁSICA

La interfaz de usuario básica consta de tres botones y un indicador LED. Se puede obtener información de diagnóstico simple mediante la interacción de los botones y el indicador LED.

Estado del R7284 (interfaz básica)

Tabla 2. Códigos LED.

Descripción	Código de indicador LED
Modo de espera	Pulso (1/4 s encendido, 4 s apagado)
Orden de calefacción	Pulsación (1/2 s brillante, 1/2 s atenuado)
Verificación de la llama	Encendido ininterrumpido
Recirculación	2 s encendido, 2 s apagado, destellando

Tabla 2. Códigos LED.

Descripción	Código de indicador LED
Bloqueo	1/2 s encendido, 1/2 s apagado, destellando
Interruptor	Apagado
Botón "i"	Indicación de la intensidad de la llama
Botón de flecha hacia arriba	Error más reciente
Botón de flecha hacia abajo	Próximo error más reciente

Intensidad de la llama del R7284 (interfaz básica)

Durante el funcionamiento normal y cuando el R7284 se encuentra en modo de funcionamiento, el indicador LED mostrará la resistencia de la célula de cadmio. Consulte la Tabla 3.

Tabla 3. Indicación de la intensidad de la llama.

Indicación de la intensidad de la llama	Cantidad de destellos de 1/2 s
Célula de cadmio de menos de 400Ω	1
400Ω < célula de cadmio < 800Ω	2
800Ω < célula de cadmio < 1600Ω	3
1600Ω < célula de cadmio < 6100Ω	4
Célula de cadmio > 6100Ω	Ninguno

Historial de errores (interfaz básica)

Se pueden mostrar los dos últimos errores en el indicador LED:

- Presione el botón de flecha hacia arriba para mostrar el error más reciente.
- Presione el botón de flecha hacia abajo para mostrar el próximo error más reciente.

Una vez que presione la flecha hacia arriba o hacia abajo, el indicador LED mostrará la alarma más reciente o la próxima más reciente mediante el brillo intermitente del código de error. Consulte la Tabla 4.

Códigos de error del R7284 (interfaz básica)

Tabla 4. Códigos de error.

Códigos de error	Cantidad de destellos de 1/4 s
No enciende/encendido retrasado	1
Pérdidas máx. de la llama/célula de cadmio alta durante el funcionamiento	2
Llama fuera de secuencia	3
Bajo voltaje/error en el EnviraCOM™	4
Error interno	5

LOCALIZACIÓN Y SOLUCIÓN DE PROBLEMAS, Y MANTENIMIENTO

IMPORTANTE

Debido a los potenciales peligros del voltaje de línea, únicamente un técnico de servicio capacitado y experimentado deberá realizar los procedimientos de localización y solución de problemas.

Este control no tiene partes a las cuales se les pueda proporcionar servicio en el lugar. No intente desarmarlo. Reemplace todo el control si no funciona tal como se describe.

Para localizar y solucionar por completo problemas en la instalación de un quemador de aceite, verifique el funcionamiento y el estado correctos del quemador y del control primario de aceite.

Verificación de la resistencia de la célula de cadmio

Para lograr un funcionamiento adecuado, es importante que la resistencia de la célula de cadmio se encuentre por debajo de los 1600 ohmios. En el modelo básico de interfaz con indicador LED, durante una orden normal de calefacción, una vez que el control ingresó al modo de funcionamiento, presione y suelte el botón "I".

En el modelo avanzado con pantalla, siga el procedimiento de diagnóstico de la pantalla para ver la resistencia de la célula de cadmio.

Pasos preliminares

1. Verifique las conexiones de cableado y el suministro eléctrico.
2. Asegúrese de que los controles tengan energía.
3. Asegúrese de que el control de límites esté cerrado.
4. Verifique los contactos entre el encendedor y los electrodos.
5. Verifique la presión de la bomba de aceite.
6. Verifique la tubería del tanque de aceite.
7. Verifique la boquilla, el filtro y el suministro de aceite.

Verificación del control primario de aceite

Si el problema no está en el quemador ni en los accesorios para el encendido, verifique el control primario de aceite con el siguiente equipamiento:

1. Destornillador.
2. Voltímetro (un rango de 0 a 150 V CA).
3. Cable aislante de puente con extremos expuestos.

ADVERTENCIA

Peligro de descarga eléctrica.

Puede causar lesiones graves, muerte o daño a la propiedad.

Localice y solucione los problemas con el sistema encendido. Asegúrese de respetar todas las precauciones para evitar descargas eléctricas o daños al equipo.

Tabla 5. Funcionamiento del R7284.

Acción externa	Acción del R7284
Energía conectada al control.	Verificación de seguridad interna realizada. Si no se detecta luz ni llama y todas las condiciones internas están bien, el control ingresa al modo de espera.
Órdenes de calefacción del termostato o del control Aquastat®.	<ol style="list-style-type: none"> 1. Período de seguridad (5 segundos); verificación interna y externa en busca de luz o llama. Si se detecta luz o llama, el control permanece en modo de espera. 2. Cuando no hay luz ni llama: <ol style="list-style-type: none"> a. El R7284G conectará la energía al motor del quemador y al encendedor. b. El R7284B,P,U (si el retardo de activación de la válvula está habilitado) conectará la energía al motor del quemador y al encendedor, (si está configurado) ingresará/completará el período de retardo de activación de la válvula y, luego, conectará la energía a la válvula. 3. El control ingresa al período de prueba de encendido. <ol style="list-style-type: none"> a. Controla el quemador en busca de llama. b. Cuando no se detecta llama: <ol style="list-style-type: none"> (1) Ingresa al modo de bloqueo (después de un tiempo de bloqueo de 15, 30 ó 45 segundos). (2) Apaga la válvula, el encendedor y el motor del quemador. (3) Modelos con pantallas: muestran el modo "Lockout" (bloqueo). Modelos con indicadores LED: el indicador LED destella 1/2 s encendido, 1/2 s apagado. (4) Presione el botón "I" durante dos segundos para regresar a la secuencia de encendido. c. Cuando se detecta llama, comienza el período de carga: 4. El control ingresa al período de carga del encendido (continúa generando chispas durante 10 segundos de manera interrumpida). <ol style="list-style-type: none"> a. Modelos con pantallas: muestran "Flame Proven" (verificación de la llama). Modelos con indicadores LED: se enciende el indicador LED. b. Si la llama se apaga y el tiempo de bloqueo no terminó, el R7284 vuelve al período de prueba de encendido. c. Si la llama se apaga y el tiempo de bloqueo terminó, el R7284 ingresa al modo de recirculación. 5. Termina el tiempo de carga; el encendedor se apaga si el encendido es interrumpido. 6. Ingresa al modo de funcionamiento: <ol style="list-style-type: none"> a. Se controla la llama hasta que cesa la orden de calefacción o hasta que la llama se apaga. Si la llama se apaga: <ol style="list-style-type: none"> (1) El control ingresa al modo de recirculación. (2) Comienza el tiempo de recirculación (60 segundos). (3) Se apagan el quemador y la válvula. (4) Modelos con pantallas: muestran "Recycle" (recirculación). Modelos con indicadores LED: el indicador LED destella 2 s encendido, 2 s apagado. (5) Regresa al modo inactivo al finalizar el modo de recirculación.
Se cumplió la orden de calefacción.	<ol style="list-style-type: none"> 1. R7284B,G,P,U (si el retardo de apagado del motor del quemador está deshabilitado): <ol style="list-style-type: none"> a. Se apagan el motor del quemador y, opcionalmente, la válvula de aceite y el encendedor. b. Modelos con pantallas: muestran "Standby" (espera) Modelos con indicadores LED: se apaga el indicador LED. c. Se apaga la luz indicadora. 2. R7284P,U (si el retardo de apagado del motor del quemador está habilitado): <ol style="list-style-type: none"> a. Se apaga la válvula de aceite. b. Se pone en funcionamiento el motor del quemador durante el tiempo seleccionado para el retardo de apagado del motor del quemador. c. Se apaga el motor del quemador. d. El dispositivo regresa al modo inactivo.
Reinicio del control tres veces sin completar una orden de calefacción (en algunos controles se puede ajustar la cantidad de veces que se puede reiniciar)	<ol style="list-style-type: none"> 1. El R7284 ingresa al modo restringido. 2. La luz indicadora destella; 1/2 s encendido, 1/2 s apagado. 3. Modelos con pantallas: muestran "Hard Lockout Call Service" (bloqueo absoluto; llamar al servicio técnico) Modelos con indicadores LED: el indicador LED destella 1/2 s encendido, 1/2 s apagado. 4. Reinicie el dispositivo presionando y manteniendo presionado el botón de reinicio durante un mínimo de 10 segundos.

Tabla 6. Información para la localización y solución de problemas.

Condición: el quemador no se enciende con una orden de calefacción		
Procedimiento	Estado del control	Medida correctiva
Si el control está bloqueado, revise el historial de errores	--	Consulte la tabla de códigos de error de esta sección
Verifique que el interruptor de límite esté cerrado	Modelos con pantallas: la pantalla muestra el estado del interruptor de límite.	Reemplace el interruptor de límite o limpie los contactos.
Verifique el estado de los terminales TT	Modelos con pantallas: la pantalla muestra el estado de los terminales TT.	<ul style="list-style-type: none"> La mayoría de los sistemas hidráulicos necesitan que se puenteen los terminales TT. Los modelos con pantalla pueden configurarse para que funcionen como si los terminales TT estuvieran puenteados. Los modelos con indicadores LED necesitan que se agregue un puente. Los sistemas de aire tibio puentearán los terminales TT durante una orden de calefacción. Verifique que los terminales TT estén realmente puenteados durante la orden de calefacción.
Verifique la energía de voltaje de línea hacia el R7284	--	Verifique el interruptor de circuito y examine el cableado del artefacto
Verifique el estado de la célula de cadmio	Modelos con pantalla: la pantalla muestra la resistencia de la célula de cadmio. Modelos con indicadores LED: el indicador LED se enciende si la célula de cadmio se encuentra demasiado baja para encender.	<ul style="list-style-type: none"> Reemplace la célula de cadmio. Si no se reanuda el funcionamiento, quite los cables conductores del R7284. Si no se reanuda el funcionamiento, reemplace el control.
Condición: el quemador no se detiene cuando cesa una orden de calefacción		
Procedimiento	Estado del control	Medida correctiva
Verifique el estado de los terminales TT	Modelos con pantallas: la pantalla muestra el estado de los terminales TT.	<ul style="list-style-type: none"> Verifique si hay un puente TT instalado. Cuando los Aquastat electrónicos R7284 y L7224/L7248 están conectados mediante el bus EnviraCOM, no deben estar presentes ni un puente físico en los terminales ni un puente TT configurado en el control primario de aceite. Verifique si el R7284 está configurado para ignorar los terminales TT. Verifique que los contactos del termostato estén abiertos. Debe haber 24 V CA a través de los terminales TT cuando no hay una orden de calefacción
Verifique el estado del límite	Modelos con pantallas: la pantalla muestra el estado del límite.	Mida el voltaje del terminal de límite. No debe haber voltaje entre límite y neutro cuando los contactos están abiertos. Reemplace el interruptor de límite si fuese necesario.
Verifique si otros dispositivos EnviraCOM están ordenándole al R7284 que funcione	Modelos con pantallas: la pantalla muestra "TT Remote" (TT remoto) si un dispositivo EnviraCOM está ordenándole que funcione.	Desconecte todos los dispositivos EnviraCOM™ del R7284. Se debe apagar en cinco minutos.

Tabla 7. Información sobre la alarma de la pantalla

Alarma de la pantalla	Número de alarmas EnviraCOM™	Medida correctiva
No hay ignición Revisar Ign.	10	<ul style="list-style-type: none"> El quemador no se encendió y no se detectaron chispas. Verifique el funcionamiento adecuado de los electrodos, los contactos de resorte (o los cables de alto voltaje) y el transformador de encendido. Si el encendido por chispa funciona de forma aceptable, proceda con la medida correctiva para la condición "no enciende".

Tabla 7. Información sobre la alarma de la pantalla

No hay ignición Rev. célula CAD	5	<ul style="list-style-type: none"> • La célula de cadmio detectó un poco de luz durante la prueba de encendido, pero no la suficiente como para ingresar al modo de funcionamiento. Verifique la ubicación de la célula de cadmio y limpie el ojo. • Configure la pantalla para que muestre la resistencia de la célula de cadmio. • Proteja la célula de cadmio de la luz. • Si la pantalla muestra menos de 20,000 ohmios, desconecte la célula de cadmio. <ul style="list-style-type: none"> — Si la pantalla no muestra 999999 ohmios, reemplace el control — Si la pantalla muestra 999999 ohmios, reemplace la célula de cadmio. • Exponga la célula de cadmio a la luz ambiental (generalmente, la luz necesaria para que pueda leer es suficiente) • Si la pantalla muestra más de 2000 ohmios, haga un puente en los terminales de la célula de cadmio. <ul style="list-style-type: none"> — Si la pantalla muestra más de 5 ohmios, reemplace el control. — Si la pantalla muestra menos de 5 ohmios, reemplace la célula de cadmio. • Si el quemador sigue sin encender, proceda con la medida correctiva para la condición "no enciende".
No hay ignición	20	<ul style="list-style-type: none"> • Verifique que la válvula de cierre manual esté abierta. • Verifique que el motor del quemador esté girando y que la bomba esté generando la presión adecuada. • Controle el estado de la boquilla y reemplácela, si fuera necesario. • Si hay una válvula, verifique que esté funcionando adecuadamente. • Verifique los ajustes del quemador (consulte las instrucciones del fabricante del quemador)
Bajo voltaje XX % bajo	59	<ul style="list-style-type: none"> • El voltaje de alimentación del control es bajo. • Mida el voltaje en los terminales "2" y "3" <ul style="list-style-type: none"> — Si es superior a 22 V CA y el error no se borra, reemplace el control. — Si es menor de 22 V CA, revise el cableado del artefacto.
Error interno	18, 58	<ul style="list-style-type: none"> • Se detectó un error dentro del control. Reemplace el control si el error persiste.
Flama Comprobada Fra de Sequencia	34	<ul style="list-style-type: none"> • La célula de cadmio está permanentemente en un estado de resistencia baja. Normalmente, debe mostrar mucho más de 20,000 ohmios cuando no hay llama. • Configure la pantalla para que muestre la resistencia de la célula de cadmio. • Proteja la célula de cadmio de la luz. • Si la pantalla muestra menos de 20,000 ohmios, desconecte la célula de cadmio. <ul style="list-style-type: none"> — Si la pantalla no muestra 999999 ohmios, reemplace el control. — Si la pantalla muestra 999999 ohmios, reemplace la célula de cadmio.
Flama Comprobada Durante prepurga	23	<ul style="list-style-type: none"> • Se verificó la llama durante el período de retardo de activación de la válvula. Verifique que la válvula de aceite esté funcionando adecuadamente. • Si el sistema no tiene una válvula de aceite, configure el retardo de activación de la válvula en 0.
Flama Comprobada Drnte postpurga	24	<ul style="list-style-type: none"> • La llama permaneció encendida durante el retardo de apagado del quemador. Verifique que la válvula de aceite esté funcionando adecuadamente. • Si el sistema no tiene una válvula de aceite, configure el retardo de apagado del quemador en 0.
Excedidos Reciclados máx	22	<ul style="list-style-type: none"> • La llama se apagó más veces que lo permitido. El quemador se enciende, pero no permanece encendido. • Verifique que el tanque de combustible no esté vacío. • Verifique que no haya obstrucciones ni aire en las líneas de suministro de combustible (ni en el filtro) <ul style="list-style-type: none"> — Use la función de cebado de la bomba para purgar el aire el sistema • Verifique que el motor del quemador esté girando y que la bomba esté generando la presión adecuada. • Si hay una válvula de aceite, verifique que esté funcionando adecuadamente. • Si el problema persiste, proceda con la medida correctiva para la condición "célula de cadmio, alta durante el funcionamiento".

Tabla 7. Información sobre la alarma de la pantalla

Error ECOM	91	<ul style="list-style-type: none"> • Se detectó un error de comunicación. • Quite todos los dispositivos de las conexiones EnviraCOM™, del enchufe de tres clavijas y de los terminales de tornillo "1-2-3". <ul style="list-style-type: none"> — Si en el transcurso de un minuto el error no se borra, mida el voltaje en los terminales "2" y "3". — Si el voltaje en los terminales "2" y "3" está entre 20 V CA y 30 V CA, reemplace el control. — Si está fuera de ese rango, revise el cableado del artefacto. Debe estar en, aproximadamente, 24 V CA en los terminales "2" y "3".
Célula CAD Alta en marcha	4	<ul style="list-style-type: none"> • La resistencia de la célula de cadmio está más alta de lo normal durante el funcionamiento; el sistema necesita un ajuste del motor. • Verifique que la célula de cadmio se encuentre correctamente alineada y limpie el ojo, si fuese necesario. • Verifique si la bomba está generando la presión adecuada. • Verifique los ajustes del quemador (consulte las instrucciones del fabricante del quemador). • Verifique que no haya hollín excesivo acumulado en el quemador ni en el conducto de humos. • Verifique que no haya una obstrucción en el conducto de humos.
Flama Comprobada Tarde en prueba	9	<ul style="list-style-type: none"> • El quemador se encendió muy tarde durante la prueba de encendido y está propenso a no encenderse. • Verifique que la célula de cadmio se encuentre correctamente alineada y límpiela, si fuese necesario. • Verifique los ajustes del quemador (consulte las instrucciones del fabricante del quemador) • Verifique los electrodos y los contactos de resorte (si están provistos), y ajuste según las recomendaciones del fabricante. • Verifique si la bomba está generando la presión adecuada. • Verifique que no haya obstrucciones en las líneas de suministro de combustible ni en el filtro.

Tabla 8. Códigos de destello del indicador LED.

Código de destello del indicador LED	Número de alarmas EnviraCOM™	Medida correctiva
1	10,5,20,59,9	<p>El quemador no se encendió o lo hizo casi al final del tiempo de prueba.</p> <ul style="list-style-type: none"> • Verifique que la válvula de cierre manual esté abierta. • Verifique que el motor del quemador esté girando y que la bomba esté generando la presión adecuada. • Controle el estado de la boquilla y reemplácela, si fuera necesario. • Verifique que no haya obstrucciones ni aire en las líneas de suministro de combustible ni en el filtro. • Verifique el funcionamiento adecuado de los electrodos, los contactos de resorte (o los cables de alto voltaje) y el transformador de encendido. • Si hay una válvula, verifique que esté funcionando adecuadamente. • Verifique los ajustes del quemador (consulte las instrucciones del fabricante del quemador); no se detectaron chispas. • Verifique la ubicación de la célula de cadmio y limpie el ojo. • Exponga la célula de cadmio a la luz ambiental (generalmente, la luz necesaria para que pueda leer es suficiente) <ul style="list-style-type: none"> — Si el indicador LED no se enciende, haga un puente en los terminales de la célula de cadmio. — Si el indicador LED no se enciende, reemplace el control. — Si el indicador LED se enciende, reemplace la célula de cadmio. • Proteja la célula de cadmio de la luz. <ul style="list-style-type: none"> — Si el indicador LED no se apaga, desconecte la célula de cadmio. — Si el indicador LED no se apaga, reemplace el control. — Si el indicador LED se apaga, reemplace la célula de cadmio.
2	22,4	<p>La llama se apagó más veces del número de veces permitido. El quemador se enciende pero no permanece encendido, o la célula de cadmio está inusualmente alta durante un ciclo de funcionamiento.</p> <ul style="list-style-type: none"> • Verifique que el tanque de combustible no esté vacío. • Verifique que no haya obstrucciones ni aire en las líneas de suministro de combustible (ni en el filtro) o use la función de cebado de la bomba para purgar el aire el sistema. • Verifique que la célula de cadmio se encuentre correctamente alineada y limpie el ojo, si fuese necesario. • Verifique que el motor del quemador esté girando y que la bomba esté generando la presión adecuada. • Si hay una válvula de aceite, verifique que esté funcionando adecuadamente. • Verifique los ajustes del quemador (consulte las instrucciones del fabricante del quemador). • Verifique que no haya hollín excesivo acumulado en el quemador ni en el conducto de humos. • Verifique que no haya una obstrucción en el conducto de humos.
3	23,24,34	<p>Se detectó que la llama está fuera de secuencia.</p> <ul style="list-style-type: none"> • Verifique que la válvula de aceite esté funcionando adecuadamente (si está provista). • Exponga la célula de cadmio a la luz ambiental (generalmente, la luz necesaria para que pueda leer es suficiente). <ul style="list-style-type: none"> — Si el indicador LED no se enciende, haga un puente en los terminales de la célula de cadmio. — Si el indicador LED no se enciende, reemplace el control. — Si el indicador LED se enciende, reemplace la célula de cadmio. • Proteja la célula de cadmio de la luz. <ul style="list-style-type: none"> — Si el indicador LED no se apaga, desconecte la célula de cadmio. — Si el indicador LED no se apaga, reemplace el control. — Si el indicador LED se apaga, reemplace la célula de cadmio.
4	59,91	<ul style="list-style-type: none"> • El voltaje de alimentación del control era bajo o se produjo un error de comunicación. • Quite todos los dispositivos de las conexiones EnviraCOM™, del enchufe de tres clavijas y de los terminales de tornillo "1-2-3". <ul style="list-style-type: none"> — Mida el voltaje en los terminales de tornillo "2" y "3" — Si está entre 22 V CA y 30 V CA y el error no se borra, reemplace el control. — Si está fuera de ese rango, revise el cableado del artefacto. Debe estar en, aproximadamente, 24 V CA en los terminales "2" y "3".
5	18, 58	<p>Se detectó un error dentro del control. Reemplace el control si el error persiste.</p>

Automatización y control desenlace

Honeywell International Inc.
1985 Douglas Drive North
Golden Valley, MN 55422

Honeywell Limited-Honeywell Limitée
35, Dynamic Drive
Toronto, Ontario M1V 4Z9
customer.honeywell.com

© Marca Registrada en los EE. UU.
© 2011 Honeywell International Inc. todos
Los Derechos Reservados
69-2467EFS—05 M.S. Rev. 04-11
Impreso en EE. UU.

Honeywell