

GENERAL INFORMATION:

SHAFT RUNOUT: .001[.03] T.I.R. PER INCH LENGTH OF EXTENSION.

BEARINGS: BALL

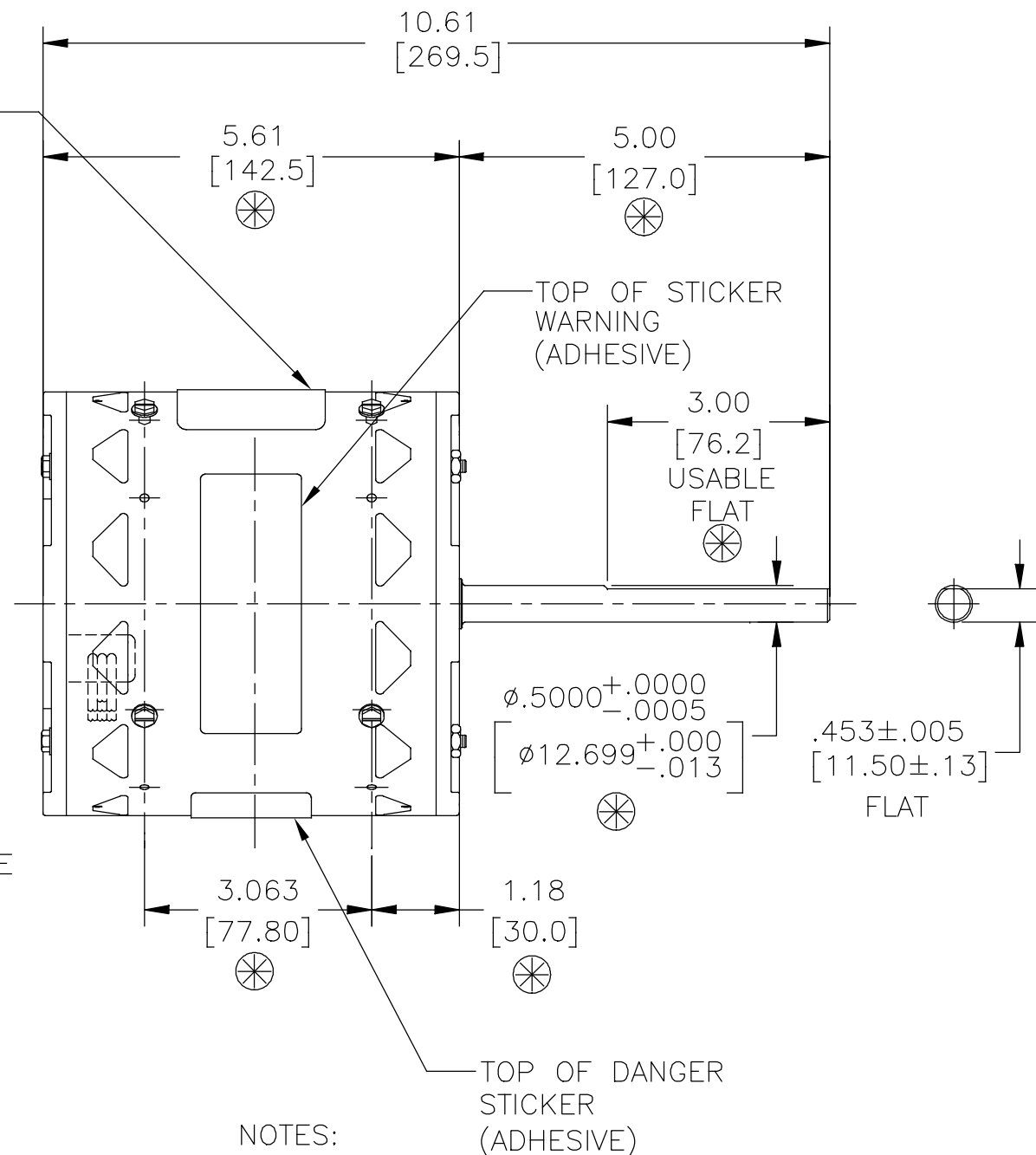
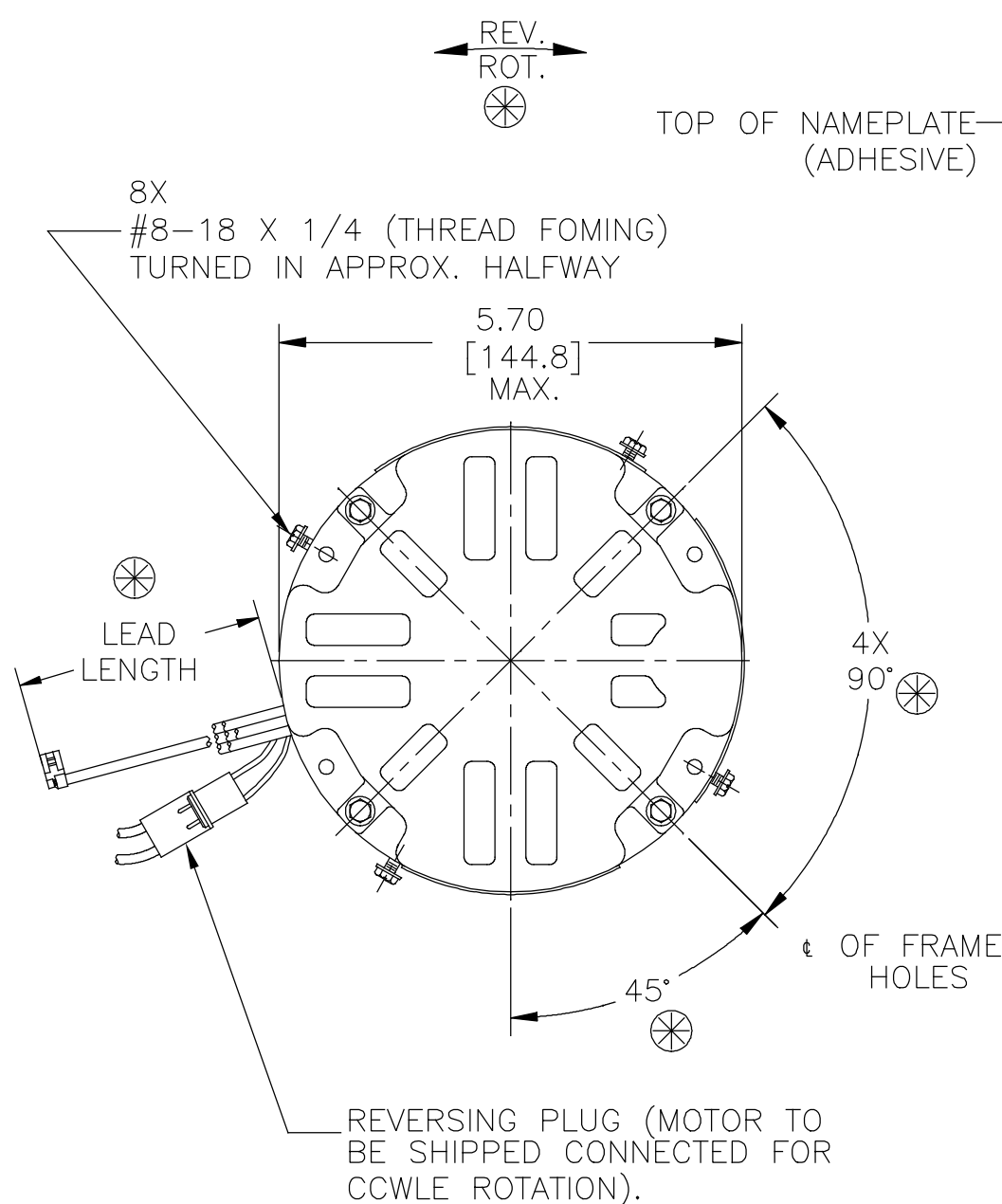
MOUNTING POSITION: HORIZONTAL

ELECTRICAL DATA:

OVERLOAD PROTECTOR: AUTOMATIC RESET (T.I. 7AM 036)

LEADS: NO. 16 GA., .06[1.5] THICKNESS PVC 105°C INSULATION.

REVERSING LEADS: NO. 18 GA., .03[.8] THICKNESS XLP 125°C INSULATION.



- NOTES:
- ⊗ DENOTES CRITICAL CHARACTERISTICS
 - DISTRIBUTION PART NUMBER: ORM1076
GRAINGER PART NUMBER: 4VA34

REGAL-BELOIT CORPORATION (RBC) PROVIDES TECHNICAL ASSISTANCE TO OUR CUSTOMERS IN SEVERAL AREAS. SINCE RBC DOES NOT RECEIVE ALL DATA CONCERNING THE USE AND APPLICATION OF THE MOTOR, THE SUITABILITY OF THE MOTOR FOR THE APPLICATION MUST BE DETERMINED BY THE CUSTOMER.

DIMENSIONS WITHOUT TOLERANCES ARE FOR REFERENCE ONLY.

MAIN FRAME - OLE	OPEN
END FRAME - OLE	OPEN
MAIN FRAME - LE	OPEN
END FRAME - LE	OPEN

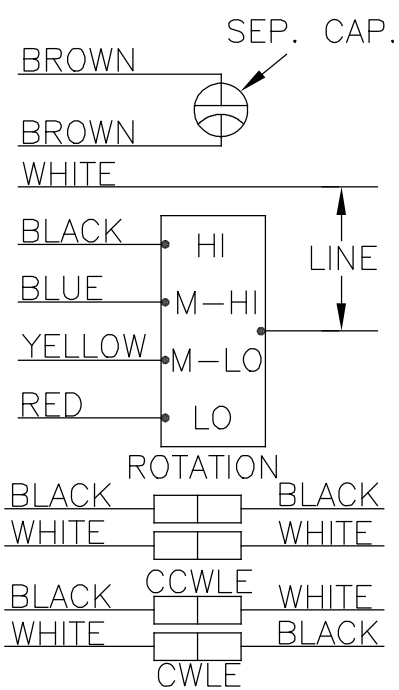
CUSTOMER	DISTRIBUTION SERVICE
----------	----------------------

COLOR	LENGTH	TERMINAL OR STRIP LENGTH
BLACK/WHITE	3.0/5.0 [76/127]	REVERSING PLUG
BROWN	28.0/30.0 [711/762]	.25[6.4] FLAG
BROWN	28.0/30.0 [711/762]	.25[6.4] FLAG
RED	35.0/38.0 [889/965]	.25[6.4] FLAG
YELLOW	35.0/38.0 [889/965]	.25[6.4] FLAG
BLUE	35.0/38.0 [889/965]	.25[6.4] FLAG
BLACK	35.0/38.0 [889/965]	.25[6.4] FLAG
WHITE	35.0/38.0 [889/965]	.25[6.4] FLAG

NAMEPLATE DATA: ⊗

MODEL NO.: F48G18A01
 CUST. P/N: []
 HP: 3/4
 ROT.: REVERSIBLE
 RPM: 1075/4 SPD
 TYPE: UF
 FRAME: 48Y
 VOLTS: 115
 PH: 1
 AMPS: 10.5
 HZ: 60
 INS.: B
 AMB.: 40° C
 DUTY: AIR OVER
 CAP.: 15 MFD/370 V
 ENCL: OPEN
 UL LOGO
 CSA LOGO
 THERMALLY PROTECTED

EXTERNAL CONNECTION DIAGRAM



614131-236

PERFORMANCE CURVE NO.	TORQUE @ 1075 RPM (25°C)	APPROVED SAMPLE	UL COMPONENT		CSA	
			FILE #	CCN #	FILE #	CLASS #
C31280	75.6 OZ. FT.	95AC247A	E46412	PRGY2	LR43341	4211-01

DRAWING REVISION	REVISION BY	DATE
D	JERRY CHAI	10-07-2018
ECO	APPROVED BY	DATE
ECO-0153631	Tricia.Niederholtmeyer	10-07-2018

ECO DESCRIPTION
 SEE ECO

COPYRIGHT REGAL-BELOIT AMERICA, INC. ALL RIGHTS RESERVED. PROPRIETARY AND CONFIDENTIAL INFORMATION - THIS DOCUMENT IS THE PROPERTY OF REGAL-BELOIT AMERICA, INC. (OWNER) AND CONTAINS OWNER'S PROPRIETARY INFORMATION. ANY PERSON, CORPORATION OR OTHER FIRM RECEIVING IT IS DEEMED, BY RECEIVING IT, TO AGREE THAT IT, AND/OR ANY PART OF IT, SHALL NOT BE DISCLOSED TO ANY PERSON, CORPORATION OR OTHER ENTITY, DUPLICATED, AND/OR USED, EXCEPT AS EXPRESSLY APPROVED IN WRITING IN ADVANCE BY OWNER. THIS DOCUMENT SHALL BE RETURNED TO OWNER UPON REQUEST. IT MAY BE SUBJECT TO CERTAIN RESTRICTIONS UNDER APPLICABLE EXPORT CONTROL LAWS AND REGULATIONS.

ENCLOSURE

DRAWN BY: JEFF RUPERT
 DATE: 09-21-2007
 APPROVED BY: CBRANHAM
 DATE: 09-21-2007
 REFERENCE

REGAL Regal Beloit America, Inc.	
DESCRIPTION	MODEL-RFHP-48FR OUTLINE
MATERIAL	PROCESS/FINISH
SIZE DWG NO	ORM1076
SHEET	1

D

C

B

A

D

C

B

A