

N4A3, R4A3, WCA34,
NXA4, R4A4, WCA4**4, N4A5, R4A5, WCA5**4, N4A6, NXA6
Split-System Air Conditioners**

WIRING DIAGRAM Manual

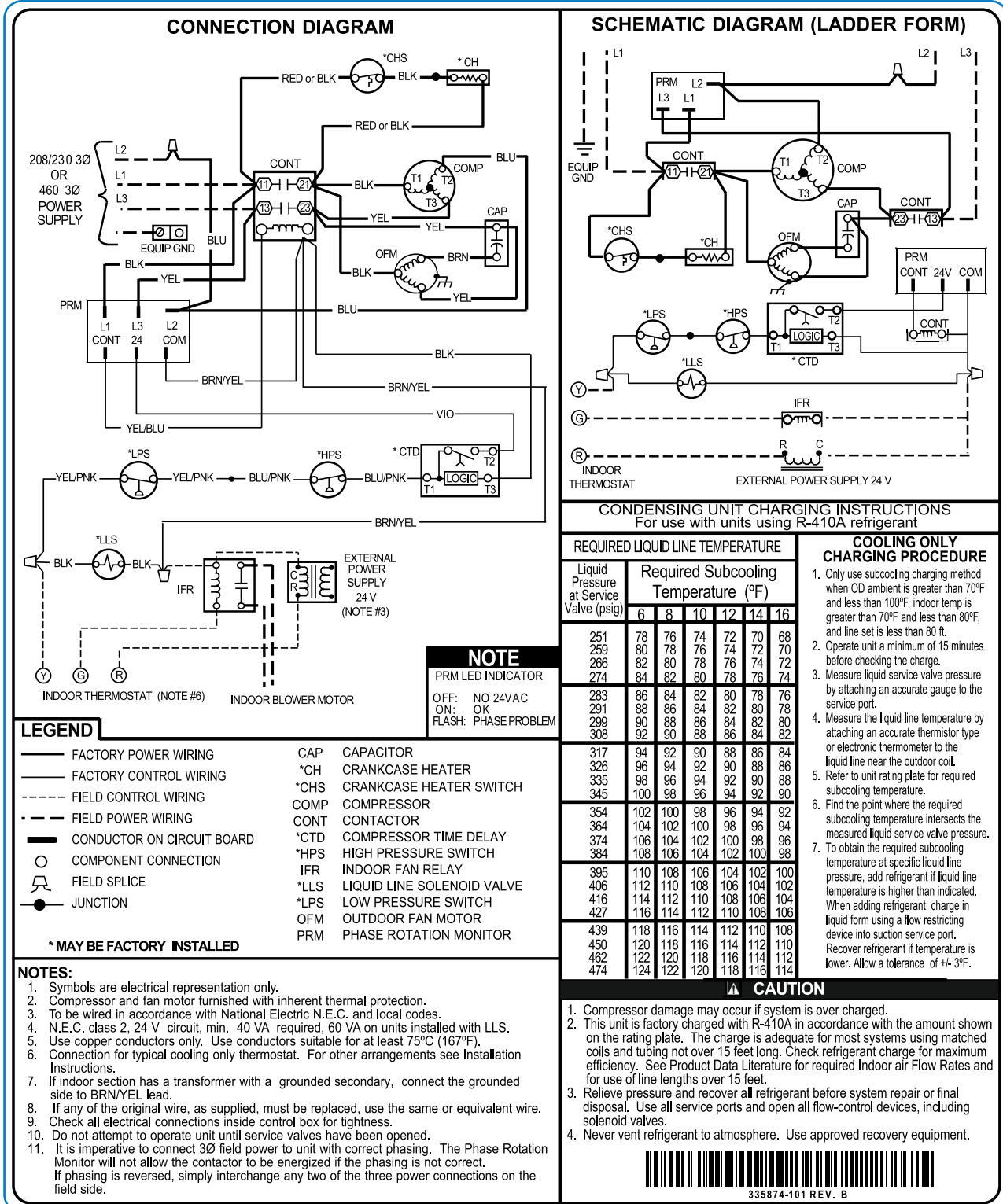
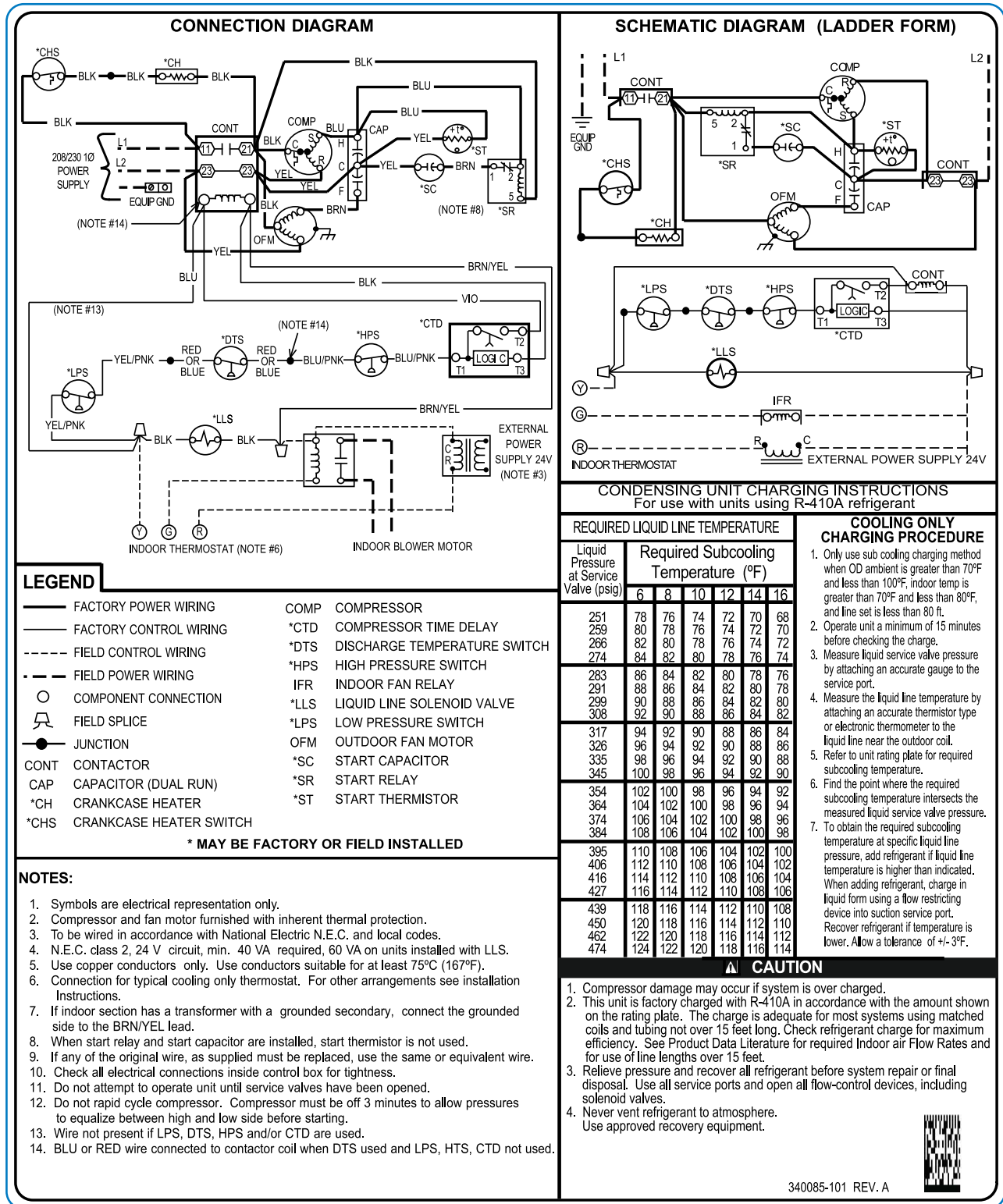


Fig. 1 – Wiring Diagram 335874-101

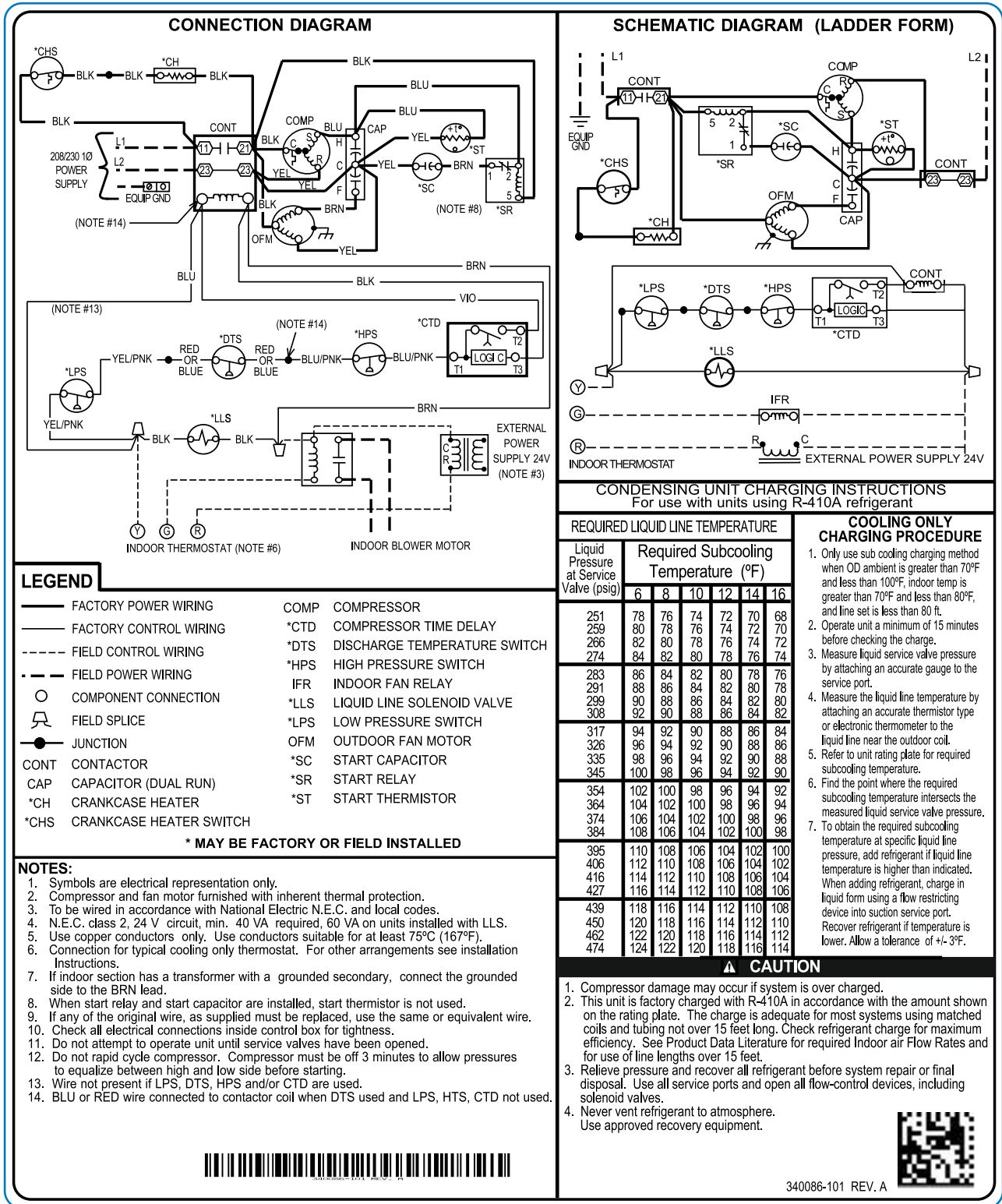


335874-101 REV. B



340085-101 REV. A

Fig. 2 – Wiring Diagram 340085-101



LEGEND

- | | |
|------------------------------|-----------------------------------|
| — FACTORY POWER WIRING | COMP COMPRESSOR |
| — FACTORY CONTROL WIRING | *CTD COMPRESSOR TIME DELAY |
| --- FIELD CONTROL WIRING | *DTS DISCHARGE TEMPERATURE SWITCH |
| - - - FIELD POWER WIRING | *HPS HIGH PRESSURE SWITCH |
| ○ COMPONENT CONNECTION | *IFR INDOOR FAN RELAY |
| ⊕ FIELD SPlice | *LLS LIQUID LINE SOLENOID VALVE |
| ● JUNCTION | *LPS LOW PRESSURE SWITCH |
| CONT CONTACTOR | OFM OUTDOOR FAN MOTOR |
| CAP CAPACITOR (DUAL RUN) | *SC START CAPACITOR |
| *CH CRANKCASE HEATER | *SR START RELAY |
| *CHS CRANKCASE HEATER SWITCH | *ST START THERMISTOR |
- * MAY BE FACTORY OR FIELD INSTALLED

- #### NOTES:
- Symbols are electrical representation only.
 - Compressor and fan motor furnished with inherent thermal protection.
 - To be wired in accordance with National Electric N.E.C. and local codes.
 - N.E.C. class 2, 24 V circuit, min. 40 VA required, 60 VA on units installed with LLS.
 - Use copper conductors only. Use conductors suitable for at least 75°C (167°F).
 - Connection for typical cooling only thermostat. For other arrangements see installation Instructions.
 - If indoor section has a transformer with a grounded secondary, connect the grounded side to the BRN lead.
 - When start relay and start capacitor are installed, start thermistor is not used.
 - If any of the original wire, as supplied must be replaced, use the same or equivalent wire.
 - Check all electrical connections inside control box for tightness.
 - Do not attempt to operate unit until service valves have been opened.
 - Do not rapid cycle compressor. Compressor must be off 3 minutes to allow pressures to equalize between high and low side before starting.
 - Wire not present if LPS, DTS, HPS and/or CTD are used.
 - BLU or RED wire connected to contactor coil when DTS used and LPS, HTS, CTD not used.



340086-101 REV. A

Fig. 3 – Wiring Diagram 340086-101

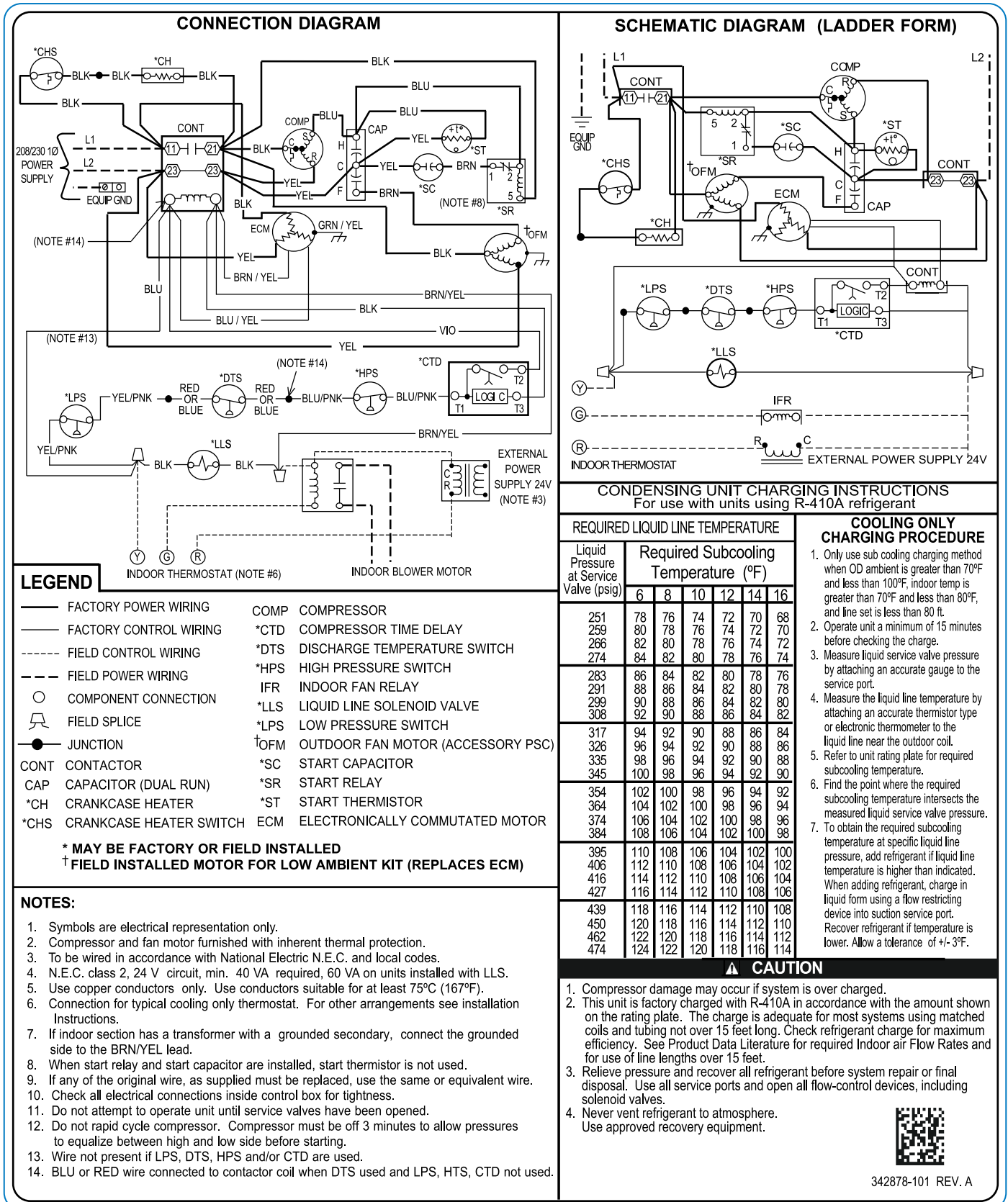


Fig. 4 – Wiring Diagram 342878-101

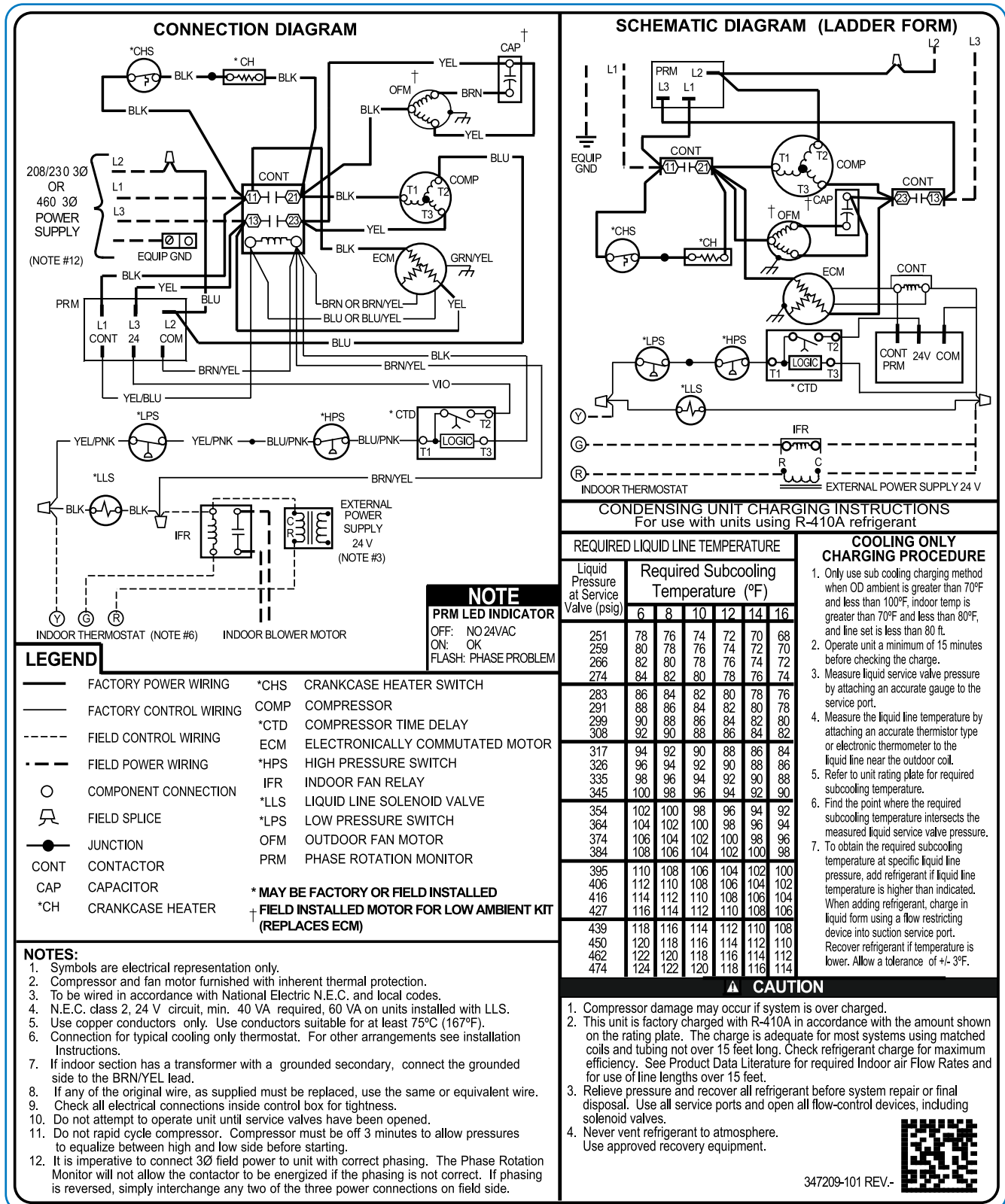


Fig. 5 – Wiring Diagram 347209-101

EXPANDED TABLE

335874-101	340085-101	340085-101(cont.)	340086-101	340086-101	340086-101	342878-101	347209-101
N4A330GHC200	N4A318AKC100	N4A530GKC101	R4A318AKC100	R4A436AKA100	WCA3184GKC100	N4A648GKB101	N4A648GHB101
N4A336GHB300	N4A318AKN100	N4A536AKC101	R4A318AKN100	R4A436GKA100	WCA3184GKN100	N4A660GKB101	N4A648GLB101
N4A336GLB200	N4A318CKA100	N4A536GKC101	R4A318GKC100	R4A442AKA100	WCA3244GKC100	NXA660GKB101	N4A660GHB101
N4A342GHA300	N4A318CKN100	N4A542AKC101	R4A318GKN100	R4A442GKA100	WCA3244GKN100		N4A660GLB101
N4A342GLA300	N4A318GKC100	N4A542GKC101	R4A324AKC100	R4A448AKA100	WCA3304GKA2		
N4A348GHB200	N4A318GKN100	N4A548AKC101	R4A324AKN100	R4A448GKA100	WCA3304GKN200		
N4A348GLB200	N4A324AKC100	N4A548GKC101	R4A324GKC100	R4A460AKA100	WCA3364GKA2		
N4A360GHC300	N4A324AKN100	N4A560AKC101	R4A324GKN100	R4A460GKA100	WCA3364GKC100		
N4A360GLC300	N4A324CKA100	N4A560GKC101	R4A330AKA200	R4A518AKA100	WCA3364GKN100		
N4A636GHB101	N4A324CKN100	N4A618GKA101	R4A330AKN200	R4A518GKA100	WCA3364GKN200		
N4A636GLB101	N4A324GKC100	N4A624GKA101	R4A330GKA200	R4A524AKA100	WCA3424GKA2		
	N4A324GKN100	N4A630GKA101	R4A330GKN200	R4A524GKA100	WCA3424GKC100		
	N4A330AKC200	N4A636GKA101	R4A336AKA200	R4A530AKA100	WCA3424GKN100		
	N4A330AKN200	N4A642GKA101	R4A336AKC100	R4A530GKA100	WCA3424GKN200		
	N4A330CKA100	N4A648GKA101	R4A336AKN100	R4A536AKA100	WCA3484GKA3		
	N4A330CKN100	N4A660GKA101	R4A336AKN200	R4A536GKA100	WCA3484GKC100		
	N4A330GKC200	N4A618GKB101	R4A336GKA200	R4A542AKA100	WCA3484GKN100		
	N4A330GKN200	N4A624GKB101	R4A336GKC100	R4A542GKA100	WCA3484GKN300		
	N4A336AKB200	N4A630GKB101	R4A336GKN100	R4A548AKA100	WCA3604GKA2		
	N4A336AKB300	N4A636GKB101	R4A336GKN200	R4A548GKA100	WCA3604GKC100		
	N4A336AKN300	N4A642GKB101	R4A342AKA200	R4A560AKA100	WCA3604GKN100		
	N4A336CKA100	NXA418AKC101	R4A342AKC100	R4A560GKA100	WCA3604GKN200		
	N4A336CKN100	NXA418GKC101	R4A342AKN100		WCA4184GKA100		
	N4A336GKB200	NXA424AKC101	R4A342AKN200		WCA4244GKA100		
	N4A336GKB300	NXA424GKC101	R4A342GKA200		WCA4304GKA100		
	N4A336GKN300	NXA430AKC101	R4A342GKC100		WCA4364GKA100		
	N4A342AKA300	NXA430GKC101	R4A342GKN100		WCA4424GKA100		
	N4A342AKN300	NXA436AKC101	R4A342GKN200		WCA4484GKA100		
	N4A342CKA100	NXA436GKC101	R4A348AKA300		WCA4604GKA100		
	N4A342CKN100	NXA442AKC101	R4A348AKC100		WCA5184GKA100		
	N4A342GKA300	NXA442GKC101	R4A348AKN100		WCA5244GKA100		
	N4A342GKN300	NXA448AKC101	R4A348AKN300		WCA5304GKA100		
	N4A348AKB200	NXA448GKC101	R4A348GKA300		WCA5364GKA100		
	N4A348AKB300	NXA460AKC101	R4A348GKC100		WCA5424GKA100		
	N4A348AKN300	NXA460GKC101	R4A348GKN100		WCA5484GKA100		
	N4A348CKA100	NXA618GKA100	R4A348GKN300		WCA5604GKA100		
	N4A348CKN100	NXA624GKA100	R4A360AKA200				
	N4A348GKB200	NXA630GKA100	R4A360AKC100				
	N4A348GKB300	NXA636GKA201	R4A360AKN100				
	N4A348GKN300	NXA642GKA100	R4A360AKN200				
	N4A360AKC300	NXA648GKA100	R4A360GKA200				
	N4A360AKC400	NXA649GKA100	R4A360GKC100				
	N4A360AKN400	NXA660GKA100	R4A360GKN100				
	N4A360CKA100	NXA661GKA100	R4A360GKN200				
	N4A360CKN100	R4A424AKA101	R4A418AKA100				
	N4A360GKC300	R4A424GKA101	R4A418GKA100				
	N4A360GKC400	R4A518AKA101	R4A424AKA100				
	N4A360GKN400	R4A518GKA101	R4A424GKA100				
	N4A518AKC101	R4A524AKA101	R4A430AKA100				
	N4A518GKC101	R4A524GKA101	R4A430GKA100				
	N4A524AKC101	WCA4244GKA101					
	N4A524GKC101	WCA5184GKA101					
	N4A530AKC101	WCA5244GKA101					