



## HIGH EFFICIENCY 14 SEER AIR CONDITIONER ENVIRONMENTALLY SOUND R-410A REFRIGERANT

1-1/2 THRU 5 TONS SPLIT SYSTEM

208 / 230 Volt, 1-phase, 60 Hz

### REFRIGERATION CIRCUIT

- Copeland® compressors on all models
- Filter-Drier supplied with every unit for field installation
- Copper tube / aluminum fin coil

### EASY TO INSTALL AND SERVICE

- Easy Access service valves on all models
- External high and low refrigerant service ports
- Only two screws to access control panel
- Factory charged with R-410A refrigerant

### BUILT TO LAST

- Baked-on powder coat finish over galvanized steel
- Post-painted (black) coil fins
- Coated, weather-resistant cabinet screws
- Coated inlet grille with 2" (51mm) spacing standard, alternate models available with 3/8" (10mm) grille spacing for extra protection (hail guard)

### WARRANTY\*

- 5 year compressor limited warranty
- 5 year parts limited warranty (including compressor and coil)
  - With timely registration, an additional 5 year parts limited warranty (including compressor and coil)

\* Applies to original purchaser/homeowner, some limitations may apply. See Warranty certificate for complete details.



This product has been designed and manufactured to meet ENERGY STAR criteria for energy efficiency when matched with appropriate coil components. However, proper refrigerant charge and proper air flow are critical to achieve rated capacity and efficiency. Installation of this product should follow the manufacturer's refrigerant charging and air flow instructions. Failure to confirm proper charge and airflow may reduce energy efficiency and shorten equipment life.

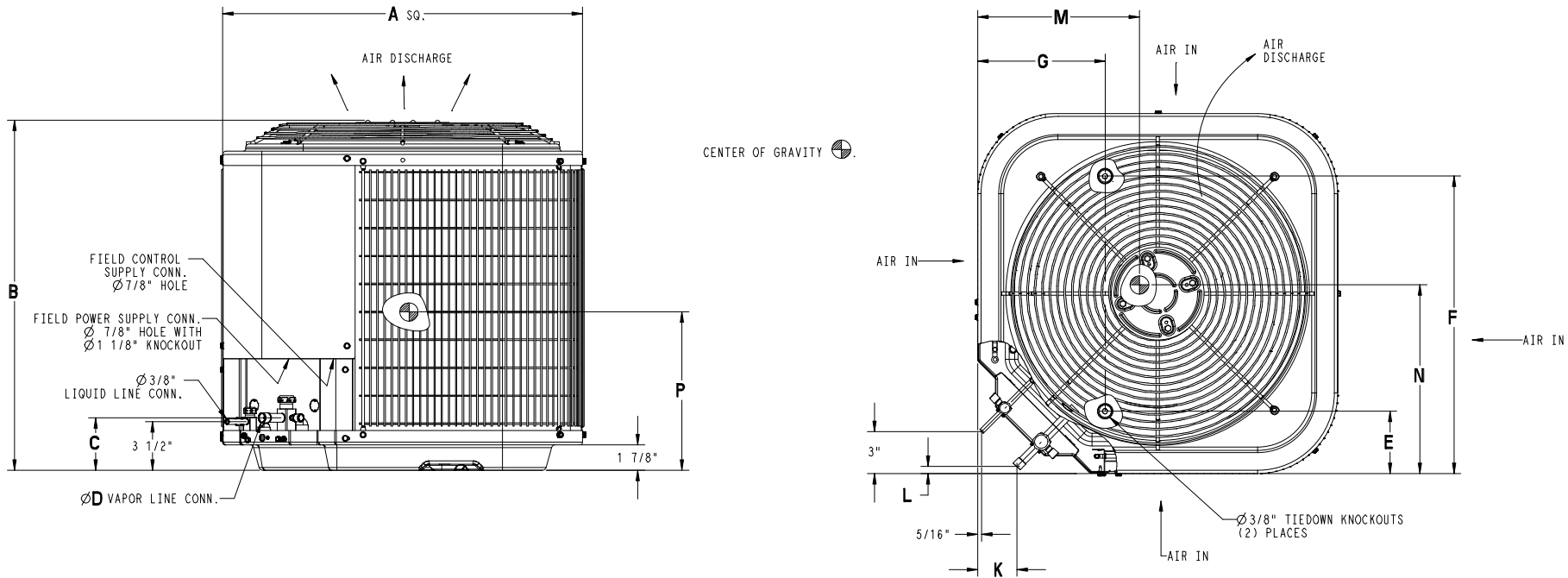


Use of the AHRI Certified TM Mark indicates a manufacturer's participation in the program. For verification of certification for individual products, go to [www.ahridirectory.org](http://www.ahridirectory.org).

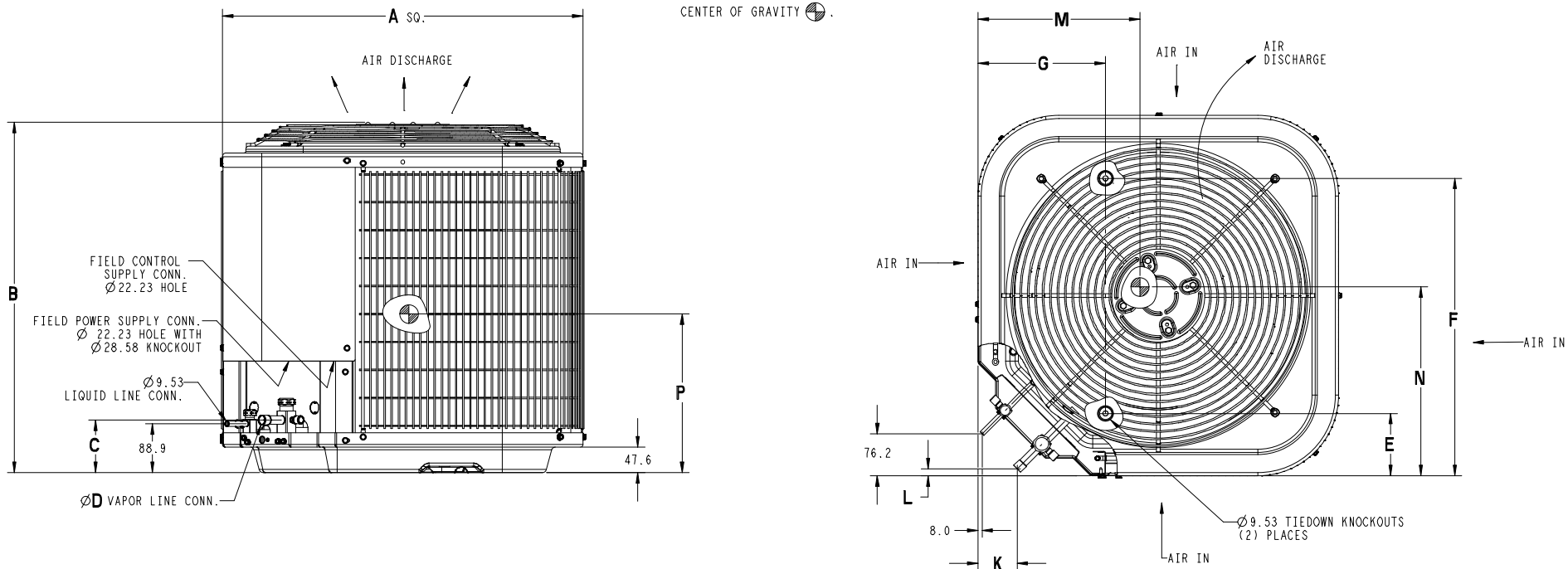
Model Number	Size (tons)	Nominal BTU/hr	Min. Circuit Ampacity	Max. Fuse or Breaker	Operating Dimensions height x width x depth in. (mm)	Ship / Operating Weight lbs. (kg)
N4A418AKA	1-1/2	18,000	11.7	15	35-3/4 x 31-3/16 x 31-3/16 (908 x 792 x 792)	199 / 171 (90 / 78)
18GKA	same model with 3/8" spacing inlet grille					
N4A424AKB	2	24,000	17.3	30	28-15/16 x 35 x 35 (735 x 889 x 889)	199 / 158 (90 / 72)
24GKB	same model with 3/8" spacing inlet grille					
N4A430AKB	2-1/2	30,000	18.1	30	28-15/16 35 x 35 (735 x 889 x 889)	197 / 158 (89 / 72)
30GKB	same model with 3/8" spacing inlet grille					
N4A436AKA	3	36,000	22.0	35	35-3/4 x 35 x 35 (908 x 889 x 889)	225 / 191 (102 / 87)
36GKA	same model with 3/8" spacing inlet grille					
N4A442AKB	3-1/2	42,000	23.6	40	39-1/8 x 35 x 35 (994 x 889 x 889)	263 / 225 (119 / 102)
42GKB	same model with 3/8" spacing inlet grille					
N4A448AKB	4	48,000	28.4	40	39-1/8 x 35 x 35 (994 x 889 x 889)	269 / 231 (122 / 105)
48GKB	same model with 3/8" spacing inlet grille					
N4A449AKB	4	48,000	26.1	40	39-1/8 x 35 x 35 (994 x 889 x 889)	317 / 264 (144 / 120)
49GKB	same model with 3/8" spacing inlet grille					
N4A460AKB	5	60,000	34.2	50	39-1/8 x 35 x 35 (994 x 889 x 889)	310 / 272 (141 / 123)
60GKB	same model with 3/8" spacing inlet grille					

<b>OUTDOOR UNIT MODEL NUMBER IDENTIFICATION GUIDE (single phase)</b>											
Digit Position:	1	2	3	4	5, 6	7	8	9	10	11	12
Example Part Number:	<b>N</b>	<b>4</b>	<b>A</b>	<b>4</b>	<b>18</b>	<b>A</b>	<b>K</b>	<b>B</b>	<b>2</b>	<b>0</b>	<b>0</b>
T = Tempstar Mainline											
N = Tempstar Entry <b>BRANDING</b>											
2 = R-22											
4 = R-410A <b>REFRIGERANT</b>											
A = Air Conditioner											
H = Heat Pump <b>TYPE</b>											
3 = 13 SEER											
4 = 14 SEER <b>NOMINAL EFFICIENCY</b>											
18 = 18,000 BTUH = 1-1/2 tons											
24 = 24,000 BTUH = 2 tons											
30 = 30,000 BTUH = 2-1/2 tons											
36 = 36,000 BTUH = 3 tons											
42 = 42,000 BTUH = 3-1/2 tons											
48 = 48,000 BTUH = 4 tons											
49 = 48,000 BTUH = 4 tons											
60 = 60,000 BTUH = 5 tons <b>NOMINAL CAPACITY</b>											
A = Standard Grille											
G = Coil Guard Grille											
C = Coastal <b>FEATURES</b>											
K = 208/230-1-60 <b>VOLTAGE</b>											
Sales Code											
Engineering Revision											
Extra Digit											
Extra Digit											

<b>ACCESSORIES PART NUMBER IDENTIFICATION GUIDE</b>										
Digit Position:	1	2	3	4	5	6, 7	8, 9	10, 11		
Example Part Number:	<b>N</b>	<b>A</b>	<b>S</b>	<b>A</b>	<b>0</b>	<b>01</b>	<b>01</b>	<b>CH</b>		
N = Non-Branded <b>BRANDING</b>										
A = Accessory <b>PRODUCT GROUP</b>										
S = Split System (AC & HP) <b>KIT USAGE</b>										
A = Original										
B = 2nd Generation <b>MAJOR SERIES</b>										
0 = Generic or Not Applicable										
2 = R-22										
4 = R-410A <b>REFRIGERANT</b>										
Product Identifier Number										
Package Quantity										
Type of Kit (Example: CH = Crankcase Heater)										



Model (* = A or G)	All Dimensions Inches (English)												Minimum Mounting Pad Size	Crated Dimensions B(h) x (w) x A(d)
	A	B	C	D	E	F	G	K	L	M	N	P		
N4A418*KA	31 <sup>1</sup> / <sub>16</sub>	35 <sup>3</sup> / <sub>4</sub>	3 <sup>3</sup> / <sub>4</sub>	5 <sup>5</sup> / <sub>8</sub>	6 <sup>9</sup> / <sub>16</sub>	24 <sup>11</sup> / <sub>16</sub>	9 <sup>1</sup> / <sub>8</sub>	2 <sup>13</sup> / <sub>16</sub>	1/2	16 <sup>1</sup> / <sub>4</sub>	16	16 <sup>5</sup> / <sub>8</sub>	31 <sup>1</sup> / <sub>2</sub> x 31 <sup>1</sup> / <sub>2</sub>	39 <sup>3</sup> / <sub>8</sub> x 32 <sup>3</sup> / <sub>8</sub> x 35 <sup>1</sup> / <sub>2</sub>
N4A424*KB	35	28 <sup>5</sup> / <sub>16</sub>	3 <sup>3</sup> / <sub>4</sub>	5 <sup>5</sup> / <sub>8</sub>	6 <sup>9</sup> / <sub>16</sub>	28 <sup>7</sup> / <sub>16</sub>	9 <sup>1</sup> / <sub>8</sub>	2 <sup>13</sup> / <sub>16</sub>	1/2	17 <sup>3</sup> / <sub>8</sub>	15 <sup>3</sup> / <sub>4</sub>	13 <sup>1</sup> / <sub>2</sub>	35 x 35	32 <sup>9</sup> / <sub>16</sub> x 36 <sup>1</sup> / <sub>8</sub> x 39 <sup>5</sup> / <sub>16</sub>
N4A430*KB	35	28 <sup>5</sup> / <sub>16</sub>	3 <sup>3</sup> / <sub>4</sub>	3/4	6 <sup>9</sup> / <sub>16</sub>	28 <sup>7</sup> / <sub>16</sub>	9 <sup>1</sup> / <sub>8</sub>	2 <sup>13</sup> / <sub>16</sub>	1/2	15 <sup>7</sup> / <sub>8</sub>	16 <sup>3</sup> / <sub>8</sub>	13 <sup>3</sup> / <sub>4</sub>	35 x 35	32 <sup>9</sup> / <sub>16</sub> x 36 <sup>1</sup> / <sub>8</sub> x 39 <sup>5</sup> / <sub>16</sub>
N4A436*KA	35	35 <sup>3</sup> / <sub>4</sub>	3 <sup>3</sup> / <sub>4</sub>	3/4	6 <sup>9</sup> / <sub>16</sub>	28 <sup>7</sup> / <sub>16</sub>	9 <sup>1</sup> / <sub>8</sub>	2 <sup>13</sup> / <sub>16</sub>	1/2	18 <sup>1</sup> / <sub>4</sub>	18 <sup>1</sup> / <sub>2</sub>	17 <sup>1</sup> / <sub>2</sub>	35 x 35	39 <sup>3</sup> / <sub>8</sub> x 36 <sup>1</sup> / <sub>8</sub> x 39 <sup>5</sup> / <sub>16</sub>
N4A442*KB	35	39 <sup>1</sup> / <sub>8</sub>	3 <sup>7</sup> / <sub>8</sub>	7/8	6 <sup>9</sup> / <sub>16</sub>	28 <sup>7</sup> / <sub>16</sub>	9 <sup>1</sup> / <sub>8</sub>	2 <sup>15</sup> / <sub>16</sub>	5/8	18 <sup>1</sup> / <sub>2</sub>	16 <sup>1</sup> / <sub>4</sub>	16 <sup>1</sup> / <sub>2</sub>	35 x 35	42 <sup>3</sup> / <sub>4</sub> x 36 <sup>1</sup> / <sub>8</sub> x 39 <sup>5</sup> / <sub>16</sub>
N4A448*KB	35	39 <sup>1</sup> / <sub>8</sub>	3 <sup>7</sup> / <sub>8</sub>	7/8	6 <sup>9</sup> / <sub>16</sub>	28 <sup>7</sup> / <sub>16</sub>	9 <sup>1</sup> / <sub>8</sub>	2 <sup>15</sup> / <sub>16</sub>	5/8	17 <sup>1</sup> / <sub>2</sub>	16 <sup>1</sup> / <sub>2</sub>	15	35 x 35	42 <sup>3</sup> / <sub>4</sub> x 36 <sup>1</sup> / <sub>8</sub> x 39 <sup>5</sup> / <sub>16</sub>
N4A449*KB	35	39 <sup>1</sup> / <sub>8</sub>	3 <sup>7</sup> / <sub>8</sub>	7/8	6 <sup>9</sup> / <sub>16</sub>	28 <sup>7</sup> / <sub>16</sub>	9 <sup>1</sup> / <sub>8</sub>	2 <sup>15</sup> / <sub>16</sub>	5/8	17 <sup>1</sup> / <sub>2</sub>	16 <sup>1</sup> / <sub>2</sub>	15	35 x 35	42 <sup>3</sup> / <sub>4</sub> x 36 <sup>1</sup> / <sub>8</sub> x 39 <sup>5</sup> / <sub>16</sub>
N4A460*KB	35	39 <sup>1</sup> / <sub>8</sub>	3 <sup>7</sup> / <sub>8</sub>	7/8	6 <sup>9</sup> / <sub>16</sub>	28 <sup>7</sup> / <sub>16</sub>	9 <sup>1</sup> / <sub>8</sub>	2 <sup>15</sup> / <sub>16</sub>	5/8	16 <sup>1</sup> / <sub>2</sub>	17	16 <sup>1</sup> / <sub>4</sub>	35 x 35	42 <sup>3</sup> / <sub>4</sub> x 36 <sup>1</sup> / <sub>8</sub> x 39 <sup>5</sup> / <sub>16</sub>



Model (* = A or G)	Dimensions mm (SI Metric)												Minimum Mounting Pad Size	Crated Dimensions h x w x d
	A	B	C	D	E	F	G	K	L	M	N	P		
N4A418*KA	792	908	95	16	167	627	232	71	13	412	406	422	800 x 800	1000 x 902 x 822
N4A424*KB	889	719	95	16	167	722	232	71	13	441	400	343	889 x 889	827 x 999 x 918
N4A430*KB	889	719	95	19	167	722	232	71	13	403	416	349	889 x 889	827 x 999 x 918
N4A436*KA	889	908	95	19	167	722	232	71	13	464	470	445	889 x 889	1000 x 999 x 918
N4A442*KB	889	994	98	22	167	722	232	75	16	470	413	419	889 x 889	1086 x 999 x 918
N4A448*KB	889	994	98	22	167	722	232	75	16	445	419	381	889 x 889	1086 x 999 x 918
N4A449*KB	889	994	98	22	167	722	232	75	16	445	419	381	889 x 889	1086 x 999 x 918
N4A460*KB	889	994	98	22	167	722	232	75	16	419	431	413	889 x 889	1086 x 999 x 918

PHYSICAL DATA								
Model Size	18	24	30	36	42	48	49	60
Nominal Cooling Capacity (BTU/hr)	18,000	24,000	30,000	36,000	42,000	48,000	48,000	60,000
Nominal SEER	14.0	14.0	14.0	14.0	14.0	14.0	14.0	14.0
Sound Rating (dBA)**	76	76	76	76	77	78	78	78
PSC Fan Motor HP	1/12	1/12	1/12	1/5	1/5	1/4	1/4	1/4
Fan RPM (single speed)	800	800	800	800	800	800	800	800
Fan CFM	2235	3223	3223	3800	3800	4046	4046	4046
Coil Face Area ft <sup>2</sup> (m <sup>2</sup> )	19.40 (1.8)	17.60 (1.6)	17.60 (1.6)	22.63 (2.1)	25.15 (2.3)	25.15 (2.3)	25.15 (2.3)	25.15 (2.3)
Coil Rows – fins per inch	1 – 25	1 – 25	1 – 25	1 – 25	1 – 25	1 – 25	2 – 20	2 – 20
Liquid Line Connection Size in. (mm)	3/8 (10)	3/8 (10)	3/8 (10)	3/8 (10)	3/8 (10)	3/8 (10)	3/8 (10)	3/8 (10)
Vapor Line Connection Size in. (mm)	5/8 (16)	5/8 (16)	3/4 (19)	3/4 (19)	7/8 (22)	7/8 (22)	7/8 (22)	7/8 (22)
Recommended Line Set Liquid Tube Diameter in. (mm)	3/8 (10)	3/8 (10)	3/8 (10)	3/8 (10)	3/8 (10)	3/8 (10)	3/8 (10)	3/8 (10)
Recommended Line Set Vapor Tube Diameter in. (mm)	5/8 (16)*	5/8 (16)*	3/4 (19) *	3/4 (19) *	7/8 (22)*	7/8 (22)*	7/8 (22)*	1 1/8 (29)*
* Recommended Vapor Tube Line size is for standard installations. These recommendations may not apply to “Long Line” installations. When the total equivalent line length exceeds 80 feet (24.4m) or there is more than 20 feet (6.1m) vertical separation between indoor and outdoor units, consult the Long Line Application Guide line document before purchasing/installing line sets.								
Factory Charge R-410A lbs. (kg)	5.40 (2.45)	5.48 (2.49)	5.80 (2.63)	6.97 (3.16)	8.70 (3.95)	9.00 (4.08)	13.00 (5.90)	11.37 (5.16)
Required Subcooling °F (°C)	10 (6)	10 (6)	11 (6)	10 (6)	8 (4)	8 (4)	8 (4)	9 (5)
Weight, shipping lbs. (kg)	199 (90)	199 (90)	197 (89)	225 (102)	263 (119)	269 (122)	317 (144)	310 (141)
Weight, operating lbs. (kg)	171 (78)	158 (72)	158 (72)	191 (87)	225 (102)	231 (105)	264 (120)	272 (123)

ELECTRICAL DATA (208/230-1-60, voltage range 197V – 253V)								
Model Size	18	24	30	36	42	48	49	60
Minimum Circuit Ampacity – <b>MCA</b> (amps)	11.7	17.3	18.1	22.0	23.6	28.4	26.1	34.2
Maximum OverCurrent Protective device – <b>MOCP</b> (amps)	15	30	30	35	40	40	40	50
Compressor <b>RLA</b> (Rated Load Amps) <b>LRA</b> (Locked Rotor Amps)	9.0 48.0	13.5 58.3	14.1 73.0	16.7 79.0	17.9 112.0	21.8 117.0	19.9 109.0	26.4 134.0
Fan Motor <b>FLA</b> (Full Load Amps)	.50	.50	.50	1.2	1.2	1.2	1.2	1.2

\*\*Sound Rating tested in accordance with ARI Standard 270-95 (not listed with ARI).

**R-410A COOLING CAPACITY LOSS FOR VARIOUS LINE LENGTHS & TUBE DIAMETERS**

Model Size	Liquid Line in.(mm)	Acceptable Vapor Line Sizes in. (mm)	Cooling Capacity Loss (%) at Total Equivalent Line Length, feet (m) Refer to Long Line Application Guideline to calculate equivalent length										
			Standard Application			Long Line Application (Requires Accessories)							
			25' (7.6)	50' (15.2)	80' (24.4)	81' (24.7)	100' (30.5)	125' (38.1)	150' (45.7)	175' (53.3)	200' (61)	225' (68.6)	250' (76.2)
18	3/8 (10)	1/2 (13)	1	2	3	3	4	6	7	8	9	10	12
		5/8 (16)	0	0	1	1	1	1	2	2	3	3	3
24		5/8 (16)	0	1	1	1	2	3	3	4	4	5	6
		3/4 (19)	0	0	0	0	0	1	1	1	1	1	2
30		5/8 (16)	1	2	3	3	3	4	5	6	7	8	9
		3/4 (19)	0	0	1	1	1	1	2	2	2	3	3
		7/8 (22)	0	0	0	0	0	1	1	1	1	1	1
36		5/8 (16)	1	2	4	4	5	6	7	9	10	11	13
		3/4 (19)	0	0	1	1	1	2	2	3	3	4	4
		7/8 (22)	0	0	0	0	0	1	1	1	1	2	2
42		3/4 (19)	0	1	2	2	2	3	4	4	5	6	6
		7/8 (22)	0	0	1	1	1	1	2	2	2	3	3
48/49	3/4 (19)	0	1	2	2	3	4	5	5	6	7	8	
	7/8 (22)	0	0	1	1	1	2	2	2	3	3	4	
60	3/4 (19)	1	2	4	4	5	6	7	9	10	11	12	
	7/8 (22)	0	1	2	2	2	3	4	4	5	5	6	
	1 1/8 (29)	0	0	0	0	1	1	1	1	1	1	2	

\* Applications are considered "Long Line" if the total equivalent tubing length exceeds 80 feet (24.4m) or there is more than 20 foot (6.1m) vertical separation between indoor and outdoor units. These applications require additional accessories and system modifications for reliable system operation.

Applications in shaded area may have height restrictions that limit allowable total equivalent length when outdoor unit is below indoor unit.

**COOLING PERFORMANCE FOR COMBINATION RATINGS Indoor Models**

For complete ratings information, use the AHRI website directory search: [www.AHRIdirectory.org](http://www.AHRIdirectory.org).  
New ratings may be listed online before Specification Sheets are updated.

Outdoor Model	Current Indoor Model (‡ tested combo)	Furnace Model	Factory Installed	Cooling (95 ° F)			SEER	
				BTU/hr	S/T	EER	factory	w/ field TDR
N4A418AKA N4A418GKA	‡ED*4X24B**	†	TXV	18,100	0.76	11.50		14.00
	ED*4X18B**	*8MPV050	TDR&TXV	18,000	0.76	12.50	15.00	
	ED*4X18B**	MV08B15**B*	TDR&TXV	17,800	0.76	13.00	15.00	
	ED*4X18B**	†	TXV	17,800	0.76	11.00		13.50
	ED*4X24B**	*8MPV050	TDR&TXV	18,500	0.76	13.00	15.50	
	ED*4X24B**	MV08B15**B*	TDR&TXV	18,000	0.76	13.00	15.00	
	ED*4X24F**	*8MPV050	TDR&TXV	18,600	0.76	13.00	15.50	
	ED*4X24F**	*9MPV050	TDR&TXV	18,600	0.76	13.00	15.50	
	ED*4X24F**	*9MPV075	TDR&TXV	18,600	0.76	13.00	15.50	
	ED*4X24F**	*9MVX040	TDR&TXV	18,600	0.76	13.00	15.50	
	ED*4X24F**	*9MVX060	TDR&TXV	18,600	0.76	13.00	15.50	
	ED*4X24F**	†	TXV	18,100	0.76	11.50		14.00
	ED*4X30B**	*8MPV050	TDR&TXV	18,600	0.76	13.00	15.50	
	ED*4X30B**	MV08B15**B*	TDR&TXV	18,300	0.76	13.00	16.00	
	ED*4X30F**	*8MPV050	TDR&TXV	18,600	0.76	13.00	16.00	
	ED*4X30F**	*8MPV050	TDR&TXV	18,800	0.76	13.00	16.00	
	ED*4X30F**	*9MPV050	TDR&TXV	18,700	0.76	13.00	16.00	
	ED*4X30F**	*9MPV050	TDR&TXV	18,800	0.76	13.00	16.00	
	ED*4X30F**	*9MPV075	TDR&TXV	18,800	0.76	13.00	16.00	
	ED*4X30F**	*9MVX060	TDR&TXV	19,000	0.76	13.00	16.00	
	ED*4X36B**	*8MPV050	TDR&TXV	18,800	0.76	13.00	16.00	
	ED*4X36B**	*9MVX060	TDR&TXV	19,000	0.76	13.00	16.00	
	ED*4X36F**	*8MPV050	TDR&TXV	18,900	0.76	13.00	16.00	
	ED*4X36F**	*9MPV050	TDR&TXV	19,000	0.76	13.00	16.00	
	ED*4X36F**	*9MPV075	TDR&TXV	19,000	0.76	13.00	16.00	
	ED*4X36F**	*9MVX060	TDR&TXV	19,000	0.76	13.00	16.00	
	ED*4X36F**	MV08B15**B*	TDR&TXV	18,400	0.76	13.00	16.00	
	EHD4X24A**	*8MPV050	TDR&TXV	18,500	0.76	13.00	15.50	
	EHD4X24A**	*9MPV050	TDR&TXV	18,600	0.76	13.00	15.50	
	EHD4X24A**	*9MPV075	TDR&TXV	18,600	0.76	13.00	15.00	
	EHD4X24A**	*9MVX040	TDR&TXV	18,600	0.76	12.50	15.00	
	EHD4X24A**	*9MVX060	TDR&TXV	18,600	0.76	13.00	15.50	
	EHD4X24A**	MV08B15**B*	TDR&TXV	18,000	0.76	13.00	16.00	
	EHD4X24A**	†	TXV	18,100	0.76	11.50		14.00
	EHD4X30A**	MV08B15**B*	TDR&TXV	18,400	0.76	13.00	16.00	
	EHD4X36A**	*8MPV050	TDR&TXV	19,000	0.76	13.00	16.00	
	EHD4X36A**	*9MPV050	TDR&TXV	19,000	0.76	13.00	16.00	
	EHD4X36A**	*9MPV075	TDR&TXV	19,000	0.76	13.00	16.00	
	EHD4X36A**	*9MVX040	TDR&TXV	19,000	0.76	13.00	16.00	
	EHD4X36A**	*9MVX060	TDR&TXV	19,000	0.76	13.00	16.00	
EHD4X36A**	MV08B15**B*	TDR&TXV	18,600	0.76	13.00	16.00		
EMA4X24D**	†	TXV	18,100	0.76	11.50		14.00	
FEM4X18****	—	TDR&TXV	18,100	0.76	12.50	15.00		
FEM4X24****	—	TDR&TXV	18,300	0.76	13.00	16.00		
FS(M,U)4X18****	—	TDR&TXV	17,800	0.76	11.20	13.50		
FS(M,U)4X24****	—	TDR&TXV	17,900	0.76	11.20	13.50		
FSA4X24**A*	—	TDR&TXV	18,000	0.76	11.20	13.10		
FVM4X24****	—	TDR&TXV	18,200	0.76	13.00	16.00		
N4A424AKB N4A424GKB	‡ED*4X24B**	†	TXV	23,200	0.73	11.70		14.00
	ED*4X24B**	*8MPV050	TDR&TXV	23,400	0.73	12.50	15.00	
	ED*4X24B**	MV08B15**B*	TDR&TXV	23,200	0.73	13.00	16.00	
	ED*4X24F**	*8MPV050	TDR&TXV	23,400	0.73	12.50	15.00	
	ED*4X24F**	*8MPV075	TDR&TXV	23,600	0.73	13.00	15.50	
	ED*4X24F**	*9MPV050	TDR&TXV	23,200	0.73	12.50	15.00	
	ED*4X24F**	*9MPV075	TDR&TXV	23,400	0.73	12.50	15.00	
	ED*4X24F**	MV12F19**B*	TDR&TXV	23,200	0.73	13.20	16.00	
	ED*4X30B**	*8MPV050	TDR&TXV	23,800	0.73	12.50	15.00	
	ED*4X30B**	MV08B15**B*	TDR&TXV	23,400	0.73	13.20	16.00	
	ED*4X30F**	*8MPV050	TDR&TXV	23,600	0.73	12.50	15.00	
	ED*4X30F**	*8MPV075	TDR&TXV	24,000	0.73	13.00	16.00	
	ED*4X30F**	*9MPV050	TDR&TXV	23,600	0.73	13.00	15.50	
	ED*4X30F**	*9MPV075	TDR&TXV	23,600	0.73	13.00	15.50	
ED*4X30F**	MV12F19**B*	TDR&TXV	23,400	0.73	13.20	16.00		

2009 ENERGY STAR compliance for combinations with both: SEER 14.50 or higher and EER 12.00 or higher.

† For coils not listed with a matching furnace or blower, coil rating applies with any indoor blower device.

- continued on next page -

**COOLING PERFORMANCE FOR COMBINATION RATINGS (continued) Indoor Models**

Outdoor Model	Current Indoor Model (‡ tested combo)	Furnace Model	Factory Installed	Cooling (95 ° F)			SEER	
				BTU/hr	S/T	EER	factory	w/ field TDR
N4A424AKB N4A424GKB (continued)	ED*4X36B**	*8MPV050	TDR&TXV	23,600	0.73	12.50	15.00	
	ED*4X36B**	*8MPV075	TDR&TXV	23,200	0.73	13.00	16.00	
	ED*4X36B**	MV08B15**B*	TDR&TXV	23,200	0.73	13.00	16.00	
	ED*4X36B**	MV12F19**B*	TDR&TXV	23,200	0.73	13.00	16.00	
	ED*4X36F**	*8MPV050	TDR&TXV	23,600	0.73	13.00	15.00	
	ED*4X36F**	*8MPV075	TDR&TXV	23,600	0.73	13.00	16.00	
	ED*4X36F**	*8MPV075	TDR&TXV	23,200	0.73	13.00	16.00	
	ED*4X36F**	*8MPV100	TDR&TXV	24,200	0.73	13.20	16.00	
	ED*4X36F**	*8MPV100	TDR&TXV	24,400	0.73	13.00	16.00	
	ED*4X36F**	*8MPV125	TDR&TXV	24,400	0.73	13.00	16.00	
	ED*4X36F**	*9MPV050	TDR&TXV	23,400	0.73	13.00	15.50	
	ED*4X36F**	*9MPV075	TDR&TXV	23,600	0.73	13.00	15.50	
	ED*4X36F**	*9MPV100	TDR&TXV	23,800	0.73	13.00	16.00	
	ED*4X36F**	*9MPV100	TDR&TXV	24,200	0.73	13.00	16.00	
	ED*4X36F**	*9MVX040	TDR&TXV	23,400	0.73	13.00	15.50	
	ED*4X36F**	*9MVX060	TDR&TXV	23,800	0.73	13.00	16.00	
	ED*4X36F**	*9MVX080	TDR&TXV	23,800	0.73	13.00	16.00	
	ED*4X36F**	MV08B15**B*	TDR&TXV	23,200	0.73	13.00	16.00	
	ED*4X36F**	MV12F19**B*	TDR&TXV	23,200	0.73	13.00	16.00	
	ED*4X36J**	*8MPV075	TDR&TXV	24,000	0.73	13.00	16.00	
	ED*4X36J**	*8MPV075	TDR&TXV	24,400	0.73	13.00	16.00	
	ED*4X36J**	*9MPV050	TDR&TXV	23,600	0.73	13.00	16.00	
	ED*4X36J**	*9MPV050	TDR&TXV	23,200	0.73	13.00	16.00	
	ED*4X36J**	*9MPV075	TDR&TXV	23,600	0.73	13.00	16.00	
	ED*4X36J**	*9MPV075	TDR&TXV	23,200	0.73	13.00	16.00	
	ED*4X36J**	*9MPV100	TDR&TXV	24,400	0.73	13.00	16.00	
	ED*4X36J**	*9MPV125	TDR&TXV	24,200	0.73	13.20	16.00	
	ED*4X36J**	*9MVX040	TDR&TXV	23,600	0.73	13.00	15.50	
	ED*4X36J**	*9MVX060	TDR&TXV	23,200	0.73	13.00	16.00	
	ED*4X36J**	*9MVX080	TDR&TXV	23,800	0.73	13.00	16.00	
	ED*4X36J**	*9MVX100	TDR&TXV	24,200	0.73	13.00	16.00	
	ED*4X36J**	MV12F19**B*	TDR&TXV	23,200	0.73	13.00	16.00	
	ED*4X42F**	*8MPV075	TDR&TXV	23,200	0.73	13.00	16.00	
	ED*4X42F**	*8MPV100	TDR&TXV	24,400	0.73	13.00	16.00	
	ED*4X42F**	*8MPV125	TDR&TXV	24,400	0.73	13.00	16.00	
	ED*4X42F**	*9MPV100	TDR&TXV	23,200	0.73	13.00	16.00	
	ED*4X42F**	*9MVX080	TDR&TXV	24,400	0.73	13.00	16.00	
	ED*4X42F**	MV08B15**B*	TDR&TXV	23,200	0.73	13.00	16.00	
	ED*4X42F**	MV12F19**B*	TDR&TXV	23,200	0.73	13.00	16.00	
	ED*4X42J**	*8MPV075	TDR&TXV	23,200	0.73	13.00	16.00	
	ED*4X42J**	*8MPV100	TDR&TXV	24,400	0.73	13.00	16.00	
	ED*4X42J**	*8MPV125	TDR&TXV	24,400	0.73	13.00	16.00	
	ED*4X42J**	*9MPV100	TDR&TXV	23,200	0.73	13.00	16.00	
	ED*4X42J**	*9MVX060	TDR&TXV	23,200	0.73	13.00	16.00	
	ED*4X42J**	*9MVX080	TDR&TXV	24,400	0.73	13.00	16.00	
	ED*4X42J**	*9MVX100	TDR&TXV	23,200	0.73	13.00	16.00	
	ED*4X42J**	MV12F19**B*	TDR&TXV	23,200	0.73	13.00	16.00	
	ED*4X42L**	*8MPV100	TDR&TXV	24,400	0.73	13.00	16.00	
	ED*4X42L**	*8MPV125	TDR&TXV	24,400	0.73	13.00	16.00	
	ED*4X42L**	*9MPV100	TDR&TXV	24,200	0.73	13.00	16.00	
ED*4X42L**	*9MVX080	TDR&TXV	24,400	0.73	13.00	16.00		
ED*4X42L**	*9MVX100	TDR&TXV	23,200	0.73	13.00	16.00		
EHD4X24A**	*8MPV050	TDR&TXV	23,400	0.73	12.50	15.00		
EHD4X24A**	*8MPV075	TDR&TXV	23,600	0.73	13.00	15.50		
EHD4X24A**	*8MPV100	TDR&TXV	23,800	0.73	13.00	16.00		
EHD4X24A**	*8MPV125	TDR&TXV	23,800	0.73	13.00	16.00		
EHD4X24A**	*9MPV050	TDR&TXV	23,200	0.73	12.50	15.00		
EHD4X24A**	*9MPV075	TDR&TXV	23,200	0.73	12.50	15.00		
EHD4X24A**	*9MPV100	TDR&TXV	23,600	0.73	12.50	15.00		
EHD4X24A**	*9MPV125	TDR&TXV	23,600	0.73	13.00	15.50		
EHD4X24A**	MV08B15**B*	TDR&TXV	23,400	0.73	13.20	16.00		

2009 ENERGY STAR compliance for combinations with both: SEER 14.50 or higher and EER 12.00 or higher.

† For coils not listed with a matching furnace or blower, coil rating applies with any indoor blower device.

- continued on next page -



COOLING PERFORMANCE FOR COMBINATION RATINGS (continued) Indoor Models								
Outdoor Model	Current Indoor Model (‡ tested combo)	Furnace Model	Factory Installed	Cooling (95° F)			SEER	
				BTU/hr	S/T	EER	factory	w/ field TDR
N4A424AKB N4A424GKB (continued)	EHD4X24A**	MV12F19**B*	TDR&TXV	23,200	0.73	13.20	16.00	
	EHD4X30A**	*8MPV050	TDR&TXV	23,800	0.73	12.50	15.00	
	EHD4X30A**	*8MPV075	TDR&TXV	24,000	0.73	13.00	16.00	
	EHD4X30A**	*8MPV100	TDR&TXV	24,200	0.73	13.20	16.00	
	EHD4X30A**	*8MPV125	TDR&TXV	24,200	0.73	13.20	16.00	
	EHD4X30A**	*9MPV050	TDR&TXV	23,600	0.73	13.00	15.50	
	EHD4X30A**	*9MPV075	TDR&TXV	23,600	0.73	13.00	15.50	
	EHD4X30A**	*9MPV100	TDR&TXV	24,000	0.73	13.00	16.00	
	EHD4X30A**	*9MPV125	TDR&TXV	24,000	0.73	13.00	16.00	
	EHD4X30A**	*9MVX080	TDR&TXV	24,000	0.73	13.00	16.00	
	EHD4X30A**	*9MVX100	TDR&TXV	24,000	0.73	13.00	16.00	
	EHD4X30A**	MV08B15**B*	TDR&TXV	23,400	0.73	13.20	16.00	
	EHD4X30A**	MV12F19**B*	TDR&TXV	23,400	0.73	13.20	16.00	
	EHD4X36A**	*8MPV050	TDR&TXV	24,000	0.73	13.00	15.50	
	EHD4X36A**	*8MPV075	TDR&TXV	24,000	0.73	13.20	16.00	
	EHD4X36A**	*8MPV075	TDR&TXV	23,200	0.73	13.00	16.00	
	EHD4X36A**	*8MPV100	TDR&TXV	24,400	0.73	13.20	16.00	
	EHD4X36A**	*8MPV100	TDR&TXV	24,400	0.73	13.00	16.00	
	EHD4X36A**	*8MPV125	TDR&TXV	24,200	0.73	13.50	16.00	
	EHD4X36A**	*8MPV125	TDR&TXV	24,600	0.73	13.00	16.00	
	EHD4X36A**	*9MPV050	TDR&TXV	23,600	0.73	13.00	16.00	
	EHD4X36A**	*9MPV050	TDR&TXV	23,200	0.73	13.00	16.00	
	EHD4X36A**	*9MPV075	TDR&TXV	23,600	0.73	13.00	16.00	
	EHD4X36A**	*9MPV075	TDR&TXV	23,200	0.73	13.00	16.00	
	EHD4X36A**	*9MPV075	TDR&TXV	23,200	0.73	13.00	16.00	
	EHD4X36A**	*9MPV100	TDR&TXV	24,000	0.73	13.20	16.00	
	EHD4X36A**	*9MPV100	TDR&TXV	23,200	0.73	13.00	16.00	
	EHD4X36A**	*9MPV125	TDR&TXV	24,000	0.73	13.20	16.00	
	EHD4X36A**	*9MVX040	TDR&TXV	23,600	0.73	13.00	15.50	
	EHD4X36A**	*9MVX060	TDR&TXV	24,000	0.73	13.00	15.50	
	EHD4X36A**	*9MVX080	TDR&TXV	24,600	0.73	13.20	16.00	
	EHD4X36A**	*9MVX100	TDR&TXV	24,200	0.73	13.20	16.00	
	EHD4X36A**	MV08B15**B*	TDR&TXV	23,200	0.73	13.00	16.00	
	EHD4X36A**	MV12F19**B*	TDR&TXV	23,200	0.73	13.00	16.00	
	EHD4X42A**	*8MPV075	TDR&TXV	23,200	0.73	13.00	16.00	
	EHD4X42A**	*8MPV100	TDR&TXV	24,400	0.73	13.00	16.00	
	EHD4X42A**	*8MPV125	TDR&TXV	24,600	0.73	13.00	16.00	
	EHD4X42A**	*9MPV050	TDR&TXV	23,200	0.73	13.00	16.00	
	EHD4X42A**	*9MPV075	TDR&TXV	23,800	0.73	13.00	16.00	
	EHD4X42A**	*9MPV100	TDR&TXV	23,200	0.73	13.00	16.00	
	EHD4X42A**	*9MPV125	TDR&TXV	23,200	0.73	13.00	16.00	
	EHD4X42A**	*9MVX040	TDR&TXV	23,800	0.73	13.00	16.00	
	EHD4X42A**	*9MVX060	TDR&TXV	23,200	0.73	13.00	16.00	
	EHD4X42A**	*9MVX080	TDR&TXV	24,600	0.73	13.00	16.00	
	EHD4X42A**	*9MVX100	TDR&TXV	23,200	0.73	13.00	16.00	
	EHD4X42A**	MV08B15**B*	TDR&TXV	23,200	0.73	13.00	16.00	
	EHD4X42A**	MV12F19**B*	TDR&TXV	23,200	0.73	13.00	16.00	
FEM4X24****	—	TDR&TXV	23,400	0.73	12.50	15.00		
FEM4X30****	—	TDR&TXV	23,600	0.73	13.00	16.00		
FS(M,U)4X24****	—	TDR&TXV	23,000	0.73	11.70	13.50		
FS(M,U)4X30****	—	TDR&TXV	23,200	0.73	12.00	14.00		
FSA4X24**A*	—	TDR&TXV	22,800	0.73	11.20	13.50		
FSA4X30**A*	—	TDR&TXV	22,800	0.73	11.20	13.20		
FVM4X24****	—	TDR&TXV	23,400	0.73	13.20	16.00		
FVM4X36****	—	TDR&TXV	23,600	0.73	13.20	16.00		
N4A430AKB N4A430GKB	‡ED*4X30B**	†	TXV	29,000	0.73	11.70		14.00
	ED*4X30B**	*8MPV050	TDR&TXV	29,000	0.73	12.00	14.00	
	ED*4X30B**	MV08B15**B*	TDR&TXV	29,000	0.73	12.50	15.50	
	ED*4X30F**	*8MPV050	TDR&TXV	28,400	0.73	12.00	14.00	
	ED*4X30F**	*8MPV075	TDR&TXV	29,200	0.73	12.50	15.00	
	ED*4X30F**	*9MPV050	TDR&TXV	28,800	0.73	12.20	14.50	
	ED*4X30F**	*9MPV075	TDR&TXV	29,000	0.73	12.20	14.50	
	ED*4X30F**	*9MVX040	TDR&TXV	28,800	0.73	12.20	14.50	
	ED*4X30F**	*9MVX060	TDR&TXV	29,000	0.73	12.20	14.50	
	ED*4X30F**	MV12F19**B*	TDR&TXV	29,200	0.73	13.00	16.00	
	ED*4X36B**	*8MPV050	TDR&TXV	28,200	0.73	12.00	14.50	
	ED*4X36B**	MV08B15**B*	TDR&TXV	28,400	0.73	13.00	15.50	

2009 ENERGY STAR compliance for combinations with both: SEER 14.50 or higher and EER 12.00 or higher.

† For coils not listed with a matching furnace or blower, coil rating applies with any indoor blower device.

- continued on next page -

**COOLING PERFORMANCE FOR COMBINATION RATINGS (continued) Indoor Models**

Outdoor Model	Current Indoor Model († tested combo)	Furnace Model	Factory Installed	Cooling (95 ° F)			SEER	
				BTU/hr	S/T	EER	factory	w/ field TDR
N4A430AKB N4A430GKB (continued)	ED*4X36F**	*8MPV050	TDR&TXV	28,400	0.73	12.00	14.50	
	ED*4X36F**	*8MPV075	TDR&TXV	29,400	0.73	12.50	15.00	
	ED*4X36F**	*9MPV050	TDR&TXV	29,000	0.73	12.20	14.50	
	ED*4X36F**	*9MPV075	TDR&TXV	29,000	0.73	12.20	14.50	
	ED*4X36F**	*9MVX040	TDR&TXV	29,000	0.73	12.20	14.50	
	ED*4X36F**	*9MVX060	TDR&TXV	29,000	0.73	12.20	14.50	
	ED*4X36F**	MV12F19**B*	TDR&TXV	29,200	0.73	13.00	16.00	
	ED*4X36J**	*8MPV075	TDR&TXV	28,800	0.73	12.50	15.00	
	ED*4X36J**	*8MPV100	TDR&TXV	29,600	0.73	13.00	16.00	
	ED*4X36J**	*8MPV125	TDR&TXV	29,600	0.73	13.00	16.00	
	ED*4X36J**	*9MPV050	TDR&TXV	28,600	0.73	12.00	15.00	
	ED*4X36J**	*9MPV075	TDR&TXV	28,800	0.73	12.50	15.00	
	ED*4X36J**	*9MPV100	TDR&TXV	29,600	0.73	12.50	15.50	
	ED*4X36J**	*9MVX040	TDR&TXV	28,400	0.73	12.50	15.00	
	ED*4X36J**	*9MVX060	TDR&TXV	28,800	0.73	12.50	15.00	
	ED*4X36J**	*9MVX080	TDR&TXV	29,000	0.73	13.00	15.50	
	ED*4X42F**	*8MPV050	TDR&TXV	29,000	0.73	12.00	14.50	
	ED*4X42F**	*8MPV075	TDR&TXV	29,000	0.73	12.50	15.00	
	ED*4X42F**	*8MPV100	TDR&TXV	29,000	0.73	13.00	16.00	
	ED*4X42F**	*8MPV125	TDR&TXV	29,000	0.73	13.00	16.00	
	ED*4X42F**	*9MPV050	TDR&TXV	28,800	0.73	12.50	15.00	
	ED*4X42F**	*9MPV075	TDR&TXV	28,800	0.73	12.50	15.00	
	ED*4X42F**	*9MVX040	TDR&TXV	28,800	0.73	12.50	15.00	
	ED*4X42F**	*9MVX060	TDR&TXV	28,800	0.73	12.50	15.00	
	ED*4X42F**	MV08B15**B*	TDR&TXV	29,000	0.73	13.00	16.00	
	ED*4X42F**	MV12F19**B*	TDR&TXV	29,000	0.73	13.00	16.00	
	ED*4X42J**	*8MPV075	TDR&TXV	29,000	0.73	12.50	15.00	
	ED*4X42J**	*8MPV100	TDR&TXV	29,000	0.73	13.00	16.00	
	ED*4X42J**	*8MPV100	TDR&TXV	29,000	0.73	13.00	16.00	
	ED*4X42J**	*8MPV125	TDR&TXV	29,000	0.73	13.00	16.00	
	ED*4X42J**	*8MPV125	TDR&TXV	29,000	0.73	13.00	16.00	
	ED*4X42J**	*9MPV050	TDR&TXV	28,800	0.73	12.50	15.00	
	ED*4X42J**	*9MPV075	TDR&TXV	29,000	0.73	12.50	15.00	
	ED*4X42J**	*9MPV100	TDR&TXV	29,000	0.73	12.50	15.50	
	ED*4X42J**	*9MPV125	TDR&TXV	29,000	0.73	13.00	16.00	
	ED*4X42J**	*9MPV125	TDR&TXV	29,000	0.73	13.00	16.00	
	ED*4X42J**	*9MVX040	TDR&TXV	28,600	0.73	12.50	15.00	
	ED*4X42J**	*9MVX060	TDR&TXV	29,000	0.73	12.50	15.00	
	ED*4X42J**	*9MVX080	TDR&TXV	29,000	0.73	12.50	15.50	
	ED*4X42J**	*9MVX100	TDR&TXV	29,000	0.73	13.00	16.00	
	ED*4X42J**	MV12F19**B*	TDR&TXV	29,000	0.73	13.00	16.00	
	ED*4X42L**	*8MPV100	TDR&TXV	29,000	0.73	13.00	16.00	
	ED*4X42L**	*8MPV100	TDR&TXV	29,000	0.73	13.00	16.00	
	ED*4X42L**	*8MPV125	TDR&TXV	29,000	0.73	13.00	16.00	
	ED*4X42L**	*8MPV125	TDR&TXV	29,000	0.73	13.00	16.00	
	ED*4X42L**	*9MPV100	TDR&TXV	29,000	0.73	13.00	15.50	
	ED*4X42L**	*9MPV125	TDR&TXV	29,000	0.73	13.00	16.00	
	ED*4X42L**	*9MPV125	TDR&TXV	29,000	0.73	13.00	16.00	
	ED*4X42L**	*9MVX080	TDR&TXV	29,000	0.73	13.00	15.50	
	ED*4X42L**	*9MVX100	TDR&TXV	28,800	0.73	13.00	16.00	
ED*4X48F**	*8MPV100	TDR&TXV	29,000	0.73	13.00	16.00		
ED*4X48F**	*8MPV125	TDR&TXV	29,000	0.73	13.00	16.00		
ED*4X48F**	*9MVX080	TDR&TXV	29,000	0.73	13.00	16.00		
ED*4X48F**	MV12F19**B*	TDR&TXV	29,000	0.73	13.00	16.00		
ED*4X48J**	*8MPV100	TDR&TXV	29,000	0.73	13.00	16.00		
ED*4X48J**	*8MPV125	TDR&TXV	29,000	0.73	13.00	16.00		
ED*4X48J**	*9MPV100	TDR&TXV	29,000	0.73	13.00	16.00		
ED*4X48J**	*9MPV125	TDR&TXV	29,000	0.73	13.00	16.00		
ED*4X48J**	*9MVX080	TDR&TXV	29,000	0.73	13.00	16.00		
ED*4X48J**	*9MVX100	TDR&TXV	29,000	0.73	13.00	16.00		

2009 ENERGY STAR compliance for combinations with both: SEER 14.50 or higher and EER 12.00 or higher.

† For coils not listed with a matching furnace or blower, coil rating applies with any indoor blower device.

- continued on next page -

COOLING PERFORMANCE FOR COMBINATION RATINGS (continued) Indoor Models								
Outdoor Model	Current Indoor Model († tested combo)	Furnace Model	Factory Installed	Cooling (95 ° F)			SEER	
				BTU/hr	S/T	EER	factory	w/ field TDR
N4A430AKB N4A430GKB (continued)	ED*4X48J**	MV12F19**B*	TDR&TXV	29,000	0.73	13.00	16.00	
	ED*4X48L**	*8MPV100	TDR&TXV	29,000	0.73	13.00	16.00	
	ED*4X48L**	*8MPV125	TDR&TXV	29,000	0.73	13.00	16.00	
	ED*4X48L**	*9MPV100	TDR&TXV	29,000	0.73	13.00	16.00	
	ED*4X48L**	*9MPV125	TDR&TXV	29,000	0.73	13.00	16.00	
	ED*4X48L**	*9MVX080	TDR&TXV	29,000	0.73	13.00	16.00	
	ED*4X48L**	*9MVX100	TDR&TXV	29,000	0.73	13.00	16.00	
	EHD4X30A**	*8MPV050	TDR&TXV	29,000	0.73	12.00	14.00	
	EHD4X30A**	*8MPV075	TDR&TXV	29,200	0.73	12.50	15.00	
	EHD4X30A**	*8MPV100	TDR&TXV	29,200	0.73	12.50	15.50	
	EHD4X30A**	*8MPV125	TDR&TXV	29,200	0.73	12.50	15.50	
	EHD4X30A**	*9MPV050	TDR&TXV	28,800	0.73	12.20	14.50	
	EHD4X30A**	*9MPV075	TDR&TXV	29,000	0.73	12.20	14.50	
	EHD4X30A**	*9MPV100	TDR&TXV	29,200	0.73	12.50	15.00	
	EHD4X30A**	*9MPV125	TDR&TXV	29,200	0.73	12.50	15.00	
	EHD4X30A**	*9MVX040	TDR&TXV	28,800	0.73	12.20	14.50	
	EHD4X30A**	*9MVX060	TDR&TXV	29,000	0.73	12.20	14.50	
	EHD4X30A**	*9MVX080	TDR&TXV	29,000	0.73	12.50	15.00	
	EHD4X30A**	*9MVX100	TDR&TXV	29,000	0.73	12.50	15.00	
	EHD4X30A**	MV08B15**B*	TDR&TXV	29,000	0.73	13.00	15.50	
	EHD4X30A**	MV12F19**B*	TDR&TXV	29,200	0.73	13.00	16.00	
	EHD4X36A**	*8MPV050	TDR&TXV	29,000	0.73	12.00	14.50	
	EHD4X36A**	*8MPV075	TDR&TXV	29,400	0.73	12.50	15.00	
	EHD4X36A**	*8MPV100	TDR&TXV	29,600	0.73	13.00	16.00	
	EHD4X36A**	*8MPV125	TDR&TXV	29,600	0.73	13.00	16.00	
	EHD4X36A**	*9MPV050	TDR&TXV	29,000	0.73	12.20	14.50	
	EHD4X36A**	*9MPV075	TDR&TXV	29,000	0.73	12.20	14.50	
	EHD4X36A**	*9MPV100	TDR&TXV	29,600	0.73	12.50	15.50	
	EHD4X36A**	*9MPV125	TDR&TXV	29,800	0.73	13.00	16.00	
	EHD4X36A**	*9MVX040	TDR&TXV	29,000	0.73	12.20	14.50	
	EHD4X36A**	*9MVX060	TDR&TXV	29,000	0.73	12.20	14.50	
	EHD4X36A**	*9MVX080	TDR&TXV	29,000	0.73	13.00	15.50	
	EHD4X36A**	*9MVX100	TDR&TXV	29,000	0.73	13.00	16.00	
	EHD4X36A**	MV08B15**B*	TDR&TXV	29,200	0.73	13.00	16.00	
	EHD4X36A**	MV12F19**B*	TDR&TXV	29,200	0.73	13.00	16.00	
	EHD4X42A**	*8MPV050	TDR&TXV	29,000	0.73	12.00	14.50	
	EHD4X42A**	*8MPV075	TDR&TXV	28,600	0.73	13.00	15.50	
	EHD4X42A**	*8MPV100	TDR&TXV	29,000	0.73	13.00	16.00	
	EHD4X42A**	*8MPV100	TDR&TXV	29,000	0.73	13.00	16.00	
	EHD4X42A**	*8MPV125	TDR&TXV	29,000	0.73	13.00	16.00	
	EHD4X42A**	*8MPV125	TDR&TXV	29,000	0.73	13.00	16.00	
	EHD4X42A**	*9MPV050	TDR&TXV	29,000	0.73	12.50	15.00	
	EHD4X42A**	*9MPV075	TDR&TXV	29,000	0.73	12.50	15.00	
	EHD4X42A**	*9MPV100	TDR&TXV	29,000	0.73	13.00	16.00	
	EHD4X42A**	*9MPV100	TDR&TXV	29,000	0.73	13.00	16.00	
	EHD4X42A**	*9MPV125	TDR&TXV	29,000	0.73	13.00	16.00	
	EHD4X42A**	*9MPV125	TDR&TXV	29,000	0.73	13.00	16.00	
	EHD4X42A**	*9MVX040	TDR&TXV	28,800	0.73	12.50	15.00	
EHD4X42A**	*9MVX060	TDR&TXV	29,000	0.73	12.50	15.00		
EHD4X42A**	*9MVX080	TDR&TXV	29,000	0.73	13.00	16.00		
EHD4X42A**	*9MVX100	TDR&TXV	29,000	0.73	13.00	16.00		
EHD4X42A**	*9MPV125	TDR&TXV	29,000	0.73	13.00	16.00		
EHD4X42A**	*9MVX080	TDR&TXV	29,000	0.73	13.00	16.00		
EHD4X42A**	*9MVX100	TDR&TXV	29,000	0.73	13.00	16.00		
EHD4X42A**	MV08B15**B*	TDR&TXV	29,000	0.73	13.00	16.00		
EHD4X42A**	MV12F19**B*	TDR&TXV	29,000	0.73	13.00	16.00		
EHD4X48A**	*8MPV100	TDR&TXV	29,000	0.73	13.00	16.00		
EHD4X48A**	*8MPV125	TDR&TXV	29,000	0.73	13.00	16.00		
EHD4X48A**	*9MPV100	TDR&TXV	29,000	0.73	13.00	16.00		
EHD4X48A**	*9MPV125	TDR&TXV	29,000	0.73	13.00	16.00		

2009 ENERGY STAR compliance for combinations with both: SEER 14.50 or higher and EER 12.00 or higher.

† For coils not listed with a matching furnace or blower, coil rating applies with any indoor blower device.

- continued on next page -

**COOLING PERFORMANCE FOR COMBINATION RATINGS (continued) Indoor Models**

Outdoor Model	Current Indoor Model (‡ tested combo)	Furnace Model	Factory Installed	Cooling (95 ° F)			SEER	
				BTU/hr	S/T	EER	factory	w/ field TDR
N4A430AKB N4A430GKB (continued)	EHD4X48A**	*9MVX080	TDR&TXV	29,000	0.73	13.00	16.00	
	EHD4X48A**	*9MVX100	TDR&TXV	29,000	0.73	13.00	16.00	
	EHD4X48A**	MV12F19**B*	TDR&TXV	29,000	0.73	13.00	16.00	
	FEM4X30****	—	TDR&TXV	29,200	0.73	12.50	15.00	
	FEM4X36****	—	TDR&TXV	29,800	0.73	12.50	15.00	
	FS(M,U)4X30****	—	TDR&TXV	28,800	0.73	11.70	13.50	
	FSA4X30**A*	—	TDR&TXV	28,600	0.73	11.70	13.50	
	FSA4X36**A*	—	TDR&TXV	29,200	0.73	11.70	14.00	
	FSM4X36****	—	TDR&TXV	29,600	0.73	12.00	14.00	
	FVM4X24****	—	TDR&TXV	29,000	0.73	12.50	15.50	
	FVM4X36****	—	TDR&TXV	29,200	0.73	13.00	16.00	
FVM4X48****	—	TDR&TXV	30,000	0.73	13.20	16.00		
N4A436AKA N4A436GKA	‡ED*4X42J**	†	TXV	35,800	0.77	12.00		14.00
	ED*4X36B**	MV08B15**B*	TDR&TXV	35,400	0.77	12.50	15.00	
	ED*4X36B**	—	TXV	34,000	0.77	12.00		14.00
	ED*4X36F**	*8MPV050	TDR&TXV	34,600	0.77	12.00	14.00	
	ED*4X36F**	*8MPV075	TDR&TXV	35,600	0.77	12.00	14.50	
	ED*4X36F**	*9MVX040	TDR&TXV	35,000	0.77	12.00	14.00	
	ED*4X36F**	*9MVX060	TDR&TXV	35,200	0.77	12.20	14.50	
	ED*4X36F**	MV12F19**B*	TDR&TXV	35,400	0.77	13.00	15.00	
	ED*4X36F**	†	TXV	35,400	0.77	12.00		14.00
	ED*4X36J**	*8MPV075	TDR&TXV	35,400	0.77	12.50	14.50	
	ED*4X36J**	*8MPV100	TDR&TXV	35,800	0.77	12.00	15.00	
	ED*4X36J**	*8MPV125	TDR&TXV	35,800	0.77	12.00	15.00	
	ED*4X36J**	*9MPV050	TDR&TXV	35,000	0.77	12.00	14.00	
	ED*4X36J**	*9MPV075	TDR&TXV	35,000	0.77	12.00	14.50	
	ED*4X36J**	*9MPV100	TDR&TXV	35,600	0.77	12.00	14.50	
	ED*4X36J**	*9MVX040	TDR&TXV	34,600	0.77	12.00	14.00	
	ED*4X36J**	*9MVX060	TDR&TXV	35,200	0.77	12.00	14.50	
	ED*4X36J**	*9MVX080	TDR&TXV	35,800	0.77	12.20	14.50	
	ED*4X36J**	MV16J22**B*	TDR&TXV	35,400	0.77	13.00	15.00	
	ED*4X36J**	†	TXV	35,400	0.77	12.00		14.00
	ED*4X42F**	*8MPV050	TDR&TXV	35,000	0.77	12.00	14.00	
	ED*4X42F**	*9MVX040	TDR&TXV	35,200	0.77	12.00	14.00	
	ED*4X42F**	*9MVX060	TDR&TXV	35,600	0.77	12.20	14.50	
	ED*4X42J**	*8MPV075	TDR&TXV	35,600	0.77	12.50	15.00	
	ED*4X42J**	*8MPV100	TDR&TXV	36,000	0.77	12.00	15.00	
	ED*4X42J**	*8MPV125	TDR&TXV	36,000	0.77	12.00	15.00	
	ED*4X42J**	*9MPV050	TDR&TXV	35,000	0.77	12.00	14.00	
	ED*4X42J**	*9MPV075	TDR&TXV	35,200	0.77	12.00	14.50	
	ED*4X42J**	*9MPV100	TDR&TXV	36,000	0.77	12.00	14.50	
	ED*4X42J**	*9MVX040	TDR&TXV	35,000	0.77	12.00	14.00	
	ED*4X42J**	*9MVX060	TDR&TXV	35,200	0.77	12.00	14.50	
	ED*4X42J**	*9MVX080	TDR&TXV	36,000	0.77	12.20	14.50	
	ED*4X42J**	MV16J22**B*	TDR&TXV	35,600	0.77	13.00	15.00	
	ED*4X42L**	*8MPV100	TDR&TXV	36,000	0.77	13.00	15.00	
	ED*4X42L**	*8MPV125	TDR&TXV	36,000	0.77	13.00	15.00	
	ED*4X42L**	*9MPV100	TDR&TXV	35,800	0.77	12.50	15.00	
	ED*4X42L**	*9MPV125	TDR&TXV	35,400	0.77	12.00	15.00	
	ED*4X42L**	*9MPV125	TDR&TXV	35,800	0.77	12.50	15.00	
	ED*4X42L**	*9MVX080	TDR&TXV	35,800	0.77	12.50	15.00	
	ED*4X42L**	*9MVX100	TDR&TXV	36,000	0.77	12.50	15.00	
	ED*4X42L**	MV20L24**B*	TDR&TXV	35,600	0.77	13.00	15.00	
ED*4X42L**	†	TXV	35,800	0.77	12.00		14.00	
ED*4X48F**	*8MPV075	TDR&TXV	36,000	0.77	12.50	15.00		
ED*4X48F**	*8MPV100	TDR&TXV	36,400	0.77	13.00	15.50		
ED*4X48F**	*8MPV125	TDR&TXV	36,400	0.77	13.00	15.50		
ED*4X48F**	*9MPV050	TDR&TXV	35,600	0.77	12.00	14.50		
ED*4X48F**	*9MPV075	TDR&TXV	35,800	0.77	12.00	14.50		
ED*4X48F**	*9MPV100	TDR&TXV	36,200	0.77	12.50	15.00		
ED*4X48F**	*9MVX040	TDR&TXV	36,000	0.77	12.20	14.50		

2009 ENERGY STAR compliance for combinations with both: SEER 14.50 or higher and EER 12.00 or higher.

† For coils not listed with a matching furnace or blower, coil rating applies with any indoor blower device.

- continued on next page -

COOLING PERFORMANCE FOR COMBINATION RATINGS (continued) Indoor Models								
Outdoor Model	Current Indoor Model († tested combo)	Furnace Model	Factory Installed	Cooling (95 ° F)			SEER	
				BTU/hr	S/T	EER	factory	w/ field TDR
N4A436AKA N4A436GKA (continued)	ED*4X48F**	*9MVX060	TDR&TXV	36,000	0.77	12.50	14.50	
	ED*4X48F**	*9MVX080	TDR&TXV	36,200	0.77	12.50	15.00	
	ED*4X48F**	MV12F19**B*	TDR&TXV	35,800	0.77	13.00	16.00	
	ED*4X48F**	MV16J22**B*	TDR&TXV	35,800	0.77	13.00	16.00	
	ED*4X48J**	*8MPV075	TDR&TXV	35,800	0.77	12.50	15.00	
	ED*4X48J**	*8MPV100	TDR&TXV	36,200	0.77	13.00	15.50	
	ED*4X48J**	*8MPV125	TDR&TXV	36,200	0.77	13.00	15.50	
	ED*4X48J**	*9MPV050	TDR&TXV	35,600	0.77	12.00	14.50	
	ED*4X48J**	*9MPV075	TDR&TXV	35,600	0.77	12.50	14.50	
	ED*4X48J**	*9MPV100	TDR&TXV	36,000	0.77	12.50	15.00	
	ED*4X48J**	*9MPV125	TDR&TXV	36,000	0.77	13.00	15.50	
	ED*4X48J**	*9MVX040	TDR&TXV	35,200	0.77	12.00	14.50	
	ED*4X48J**	*9MVX060	TDR&TXV	35,800	0.77	12.50	14.50	
	ED*4X48J**	*9MVX080	TDR&TXV	36,200	0.77	12.50	15.00	
	ED*4X48L**	*8MPV100	TDR&TXV	36,200	0.77	13.00	15.50	
	ED*4X48L**	*8MPV125	TDR&TXV	36,200	0.77	13.00	15.50	
	ED*4X48L**	*9MPV100	TDR&TXV	36,000	0.77	12.50	15.00	
	ED*4X48L**	*9MPV125	TDR&TXV	36,000	0.77	13.00	15.50	
	ED*4X48L**	*9MVX080	TDR&TXV	36,200	0.77	12.50	15.00	
	ED*4X48L**	*9MVX100	TDR&TXV	36,000	0.77	13.00	15.50	
	ED*4X48L**	MV16J22**B*	TDR&TXV	35,800	0.77	13.00	16.00	
	ED*4X60J**	MV16J22**B*	TDR&TXV	35,800	0.77	13.00	16.00	
	ED*4X60J**	MV20L24**B*	TDR&TXV	35,800	0.77	13.00	16.00	
	ED*4X60L**	MV16J22**B*	TDR&TXV	35,800	0.77	13.00	16.00	
	ED*4X60L**	MV20L24**B*	TDR&TXV	35,800	0.77	13.00	16.00	
	EHD4X36A**	*8MPV075	TDR&TXV	35,600	0.77	12.00	15.00	
	EHD4X36A**	*8MPV100	TDR&TXV	35,600	0.77	12.00	15.00	
	EHD4X36A**	*8MPV125	TDR&TXV	35,600	0.77	12.00	15.00	
	EHD4X36A**	*9MPV075	TDR&TXV	35,600	0.77	12.00	14.50	
	EHD4X36A**	*9MPV100	TDR&TXV	35,600	0.77	12.00	15.00	
	EHD4X36A**	*9MPV125	TDR&TXV	35,600	0.77	12.00	15.00	
	EHD4X36A**	*9MVX040	TDR&TXV	35,000	0.77	12.00	14.00	
	EHD4X36A**	*9MVX060	TDR&TXV	35,200	0.77	12.20	14.50	
	EHD4X36A**	*9MVX080	TDR&TXV	35,800	0.77	12.20	14.50	
	EHD4X36A**	*9MVX100	TDR&TXV	36,000	0.77	12.50	15.00	
	EHD4X36A**	MV08B15**B*	TDR&TXV	35,400	0.77	13.00	15.00	
	EHD4X36A**	MV12F19**B*	TDR&TXV	35,400	0.77	13.00	15.00	
	EHD4X36A**	MV16J22**B*	TDR&TXV	35,400	0.77	13.00	15.00	
	EHD4X36A**	MV20L24**B*	TDR&TXV	35,400	0.77	13.00	15.00	
	EHD4X36A**	†	TXV	35,400	0.77	12.00		14.00
	EHD4X42A**	*8MPV050	TDR&TXV	36,000	0.77	12.00	14.50	
	EHD4X42A**	*8MPV075	TDR&TXV	36,000	0.77	12.00	14.50	
	EHD4X42A**	*8MPV100	TDR&TXV	36,000	0.77	12.00	15.50	
	EHD4X42A**	*8MPV125	TDR&TXV	36,000	0.77	12.50	15.50	
	EHD4X42A**	*9MPV050	TDR&TXV	36,000	0.77	12.00	14.50	
	EHD4X42A**	*9MPV075	TDR&TXV	36,000	0.77	12.00	14.50	
	EHD4X42A**	*9MPV100	TDR&TXV	36,000	0.77	12.00	15.00	
	EHD4X42A**	*9MPV125	TDR&TXV	36,200	0.77	12.00	15.00	
	EHD4X42A**	*9MVX040	TDR&TXV	35,200	0.77	12.00	14.00	
	EHD4X42A**	*9MVX060	TDR&TXV	35,600	0.77	12.20	14.50	
EHD4X42A**	*9MVX080	TDR&TXV	36,000	0.77	12.20	14.50		
EHD4X42A**	*9MVX100	TDR&TXV	36,000	0.77	12.50	15.00		
EHD4X42A**	MV08B15**B*	TDR&TXV	35,600	0.77	13.00	15.00		
EHD4X42A**	MV12F19**B*	TDR&TXV	35,600	0.77	13.00	16.00		
EHD4X42A**	MV16J22**B*	TDR&TXV	35,600	0.77	13.00	16.00		
EHD4X42A**	MV20L24**B*	TDR&TXV	35,600	0.77	13.00	16.00		
EHD4X42A**	†	TXV	35,800	0.77	12.00		14.00	
EHD4X48A**	*8MPV050	TDR&TXV	35,600	0.77	12.00	14.50		
EHD4X48A**	*8MPV075	TDR&TXV	36,000	0.77	12.50	15.00		
EHD4X48A**	*8MPV100	TDR&TXV	36,400	0.77	13.00	15.50		
EHD4X48A**	*8MPV125	TDR&TXV	36,400	0.77	13.00	15.50		
EHD4X48A**	*9MPV050	TDR&TXV	35,800	0.77	12.00	14.50		
EHD4X48A**	*9MPV075	TDR&TXV	35,800	0.77	12.50	14.50		

2009 ENERGY STAR compliance for combinations with both: SEER 14.50 or higher and EER 12.00 or higher.

† For coils not listed with a matching furnace or blower, coil rating applies with any indoor blower device.

- continued on next page -

**COOLING PERFORMANCE FOR COMBINATION RATINGS (continued) Indoor Models**

Outdoor Model	Current Indoor Model († tested combo)	Furnace Model	Factory Installed	Cooling (95 ° F)			SEER	
				BTU/hr	S/T	EER	factory	w/ field TDR
N4A436AKA N4A436GKA (continued)	EHD4X48A**	*9MPV100	TDR&TXV	36,200	0.77	13.00	15.00	
	EHD4X48A**	*9MPV125	TDR&TXV	36,600	0.77	13.00	15.50	
	EHD4X48A**	*9MVX040	TDR&TXV	36,000	0.77	12.20	14.50	
	EHD4X48A**	*9MVX060	TDR&TXV	36,000	0.77	12.50	15.00	
	EHD4X48A**	*9MVX080	TDR&TXV	36,600	0.77	12.50	15.00	
	EHD4X48A**	*9MVX100	TDR&TXV	36,000	0.77	13.00	15.50	
	EHD4X48A**	MV16J22**B*	TDR&TXV	35,800	0.77	13.00	16.00	
	EHD4X60A**	*8MPV125	TDR&TXV	35,800	0.77	13.00	16.00	
	EHD4X60A**	MV12F19**B*	TDR&TXV	35,800	0.77	13.00	16.00	
	EHD4X60A**	MV16J22**B*	TDR&TXV	35,800	0.77	13.00	16.00	
	EHD4X60A**	MV20L24**B*	TDR&TXV	35,800	0.77	13.00	16.00	
	EMA4X36D**	†	TXV	35,400	0.77	11.50		14.00
	FEM4X36****	—	TDR&TXV	36,600	0.77	13.00	15.00	
	FEM4X42****	—	TDR&TXV	36,600	0.77	13.05	15.00	
	FS(M,U)4X42****	—	TDR&TXV	35,400	0.77	12.00	14.00	
	FSM2X36****	—	TDR&TXV	35,200	0.77	12.00	14.00	
	FSM4X36****	—	TDR&TXV	35,400	0.77	12.20	14.00	
	FSU4X36****	—	TDR&TXV	34,800	0.77	11.95	14.00	
FVM4X36****	—	TDR&TXV	35,400	0.77	12.50	15.00		
FVM4X48****	—	TDR&TXV	36,600	0.77	13.00	16.00		
N4A442AKB N4A442GKB	†ED*4X48J**	†	TXV	40,500	0.77	12.00		14.00
	ED*4X42F**	*8MPV075	TDR&TXV	39,500	0.77	12.00	14.00	
	ED*4X42F**	*9MPV075	TDR&TXV	39,000	0.77	11.70	13.50	
	ED*4X42F**	*9MVX060	TDR&TXV	39,500	0.77	12.00	14.00	
	ED*4X42F**	MV12F19**B*	TDR&TXV	40,000	0.77	12.50	15.00	
	ED*4X42F**	†	TXV	40,000	0.77	11.70		13.50
	ED*4X42J**	*8MPV075	TDR&TXV	39,500	0.77	12.00	14.25	
	ED*4X42J**	*8MPV100	TDR&TXV	40,000	0.77	12.20	14.50	
	ED*4X42J**	*8MPV125	TDR&TXV	40,000	0.77	12.20	14.50	
	ED*4X42J**	*9MPV075	TDR&TXV	39,500	0.77	11.50	13.50	
	ED*4X42J**	*9MPV100	TDR&TXV	40,000	0.77	12.20	14.50	
	ED*4X42J**	*9MVX060	TDR&TXV	39,500	0.77	12.00	14.00	
	ED*4X42J**	*9MVX080	TDR&TXV	40,000	0.77	12.20	14.50	
	ED*4X42J**	MV16J22**B*	TDR&TXV	40,000	0.77	13.00	15.00	
	ED*4X42J**	†	TXV	40,000	0.77	11.70		13.50
	ED*4X42L**	*8MPV100	TDR&TXV	40,000	0.77	12.50	14.50	
	ED*4X42L**	*8MPV125	TDR&TXV	40,000	0.77	12.50	15.00	
	ED*4X42L**	*9MPV100	TDR&TXV	40,000	0.77	12.50	14.50	
	ED*4X42L**	*9MPV125	TDR&TXV	40,000	0.77	12.20	14.50	
	ED*4X42L**	*9MPV125	TDR&TXV	40,000	0.77	12.50	14.50	
	ED*4X42L**	*9MVX080	TDR&TXV	40,000	0.77	12.00	14.50	
	ED*4X42L**	*9MVX100	TDR&TXV	40,000	0.77	12.20	14.50	
	ED*4X42L**	MV20L24**B*	TDR&TXV	40,000	0.77	13.00	15.00	
	ED*4X42L**	†	TXV	40,000	0.77	11.70		13.50
	ED*4X48F**	*8MPV075	TDR&TXV	40,000	0.77	12.20	14.50	
	ED*4X48F**	*9MVX060	TDR&TXV	40,500	0.77	12.00	14.00	
	ED*4X48F**	MV12F19**B*	TDR&TXV	41,000	0.77	13.00	15.00	
	ED*4X48F**	†	TXV	40,500	0.77	12.00		14.00
	ED*4X48J**	*8MPV075	TDR&TXV	40,500	0.77	12.00	14.50	
	ED*4X48J**	*8MPV100	TDR&TXV	40,500	0.77	12.50	15.00	
	ED*4X48J**	*8MPV125	TDR&TXV	40,500	0.77	12.50	15.00	
	ED*4X48J**	*9MPV075	TDR&TXV	40,000	0.77	12.00	14.00	
	ED*4X48J**	*9MPV100	TDR&TXV	40,500	0.77	12.20	14.50	
	ED*4X48J**	*9MVX060	TDR&TXV	40,000	0.77	12.00	14.00	
	ED*4X48J**	*9MVX080	TDR&TXV	40,500	0.77	12.20	14.50	
	ED*4X48J**	MV16J22**B*	TDR&TXV	41,000	0.77	13.00	15.50	
	ED*4X48L**	*8MPV100	TDR&TXV	40,500	0.77	12.50	15.00	
	ED*4X48L**	*8MPV125	TDR&TXV	40,500	0.77	12.50	15.00	
	ED*4X48L**	*9MPV100	TDR&TXV	40,500	0.77	12.50	14.50	
	ED*4X48L**	*9MPV125	TDR&TXV	40,500	0.77	12.50	15.00	
ED*4X48L**	*9MPV125	TDR&TXV	40,500	0.77	12.50	15.00		
ED*4X48L**	*9MVX080	TDR&TXV	40,500	0.77	12.50	14.50		

2009 ENERGY STAR compliance for combinations with both: SEER 14.50 or higher and EER 12.00 or higher.

† For coils not listed with a matching furnace or blower, coil rating applies with any indoor blower device.

- continued on next page -

COOLING PERFORMANCE FOR COMBINATION RATINGS (continued) Indoor Models								
Outdoor Model	Current Indoor Model (‡ tested combo)	Furnace Model	Factory Installed	Cooling (95° F)			SEER	
				BTU/hr	S/T	EER	factory	w/ field TDR
N4A442AKB N4A442GKB (continued)	ED*4X48L**	*9MVX100	TDR&TXV	40,500	0.77	12.20	14.50	
	ED*4X48L**	MV20L24**B*	TDR&TXV	41,000	0.77	13.00	15.50	
	ED*4X48L**	†	TXV	40,500	0.77	12.00		14.00
	ED*4X60J**	*8MPV075	TDR&TXV	41,000	0.77	12.50	14.75	
	ED*4X60J**	*8MPV100	TDR&TXV	41,500	0.77	13.00	15.00	
	ED*4X60J**	*8MPV125	TDR&TXV	41,500	0.77	13.00	15.00	
	ED*4X60J**	*9MPV075	TDR&TXV	41,000	0.77	12.00	14.25	
	ED*4X60J**	*9MPV100	TDR&TXV	41,500	0.77	12.50	15.00	
	ED*4X60J**	*9MPV125	TDR&TXV	41,500	0.77	13.00	15.00	
	ED*4X60J**	*9MVX060	TDR&TXV	41,000	0.77	12.00	14.50	
	ED*4X60J**	*9MVX080	TDR&TXV	41,500	0.77	12.50	15.00	
	ED*4X60J**	MV16J22**B*	TDR&TXV	41,000	0.77	13.00	16.00	
	ED*4X60J**	*8MPV125	TDR&TXV	41,000	0.77	13.00	16.00	
	ED*4X60J**	MV12F19**B*	TDR&TXV	41,000	0.77	13.00	16.00	
	ED*4X60L**	*8MPV100	TDR&TXV	41,500	0.77	13.00	15.00	
	ED*4X60L**	*8MPV125	TDR&TXV	41,500	0.77	13.00	15.00	
	ED*4X60L**	*9MPV100	TDR&TXV	41,500	0.77	12.50	15.00	
	ED*4X60L**	*9MPV125	TDR&TXV	41,500	0.77	13.00	15.00	
	ED*4X60L**	*9MVX080	TDR&TXV	41,500	0.77	12.50	15.00	
	ED*4X60L**	*9MVX100	TDR&TXV	41,000	0.77	13.00	15.00	
	ED*4X60L**	*8MPV125	TDR&TXV	41,000	0.77	13.00	16.00	
	ED*4X60L**	MV16J22**B*	TDR&TXV	41,000	0.77	13.00	16.00	
	EHD4X42A**	*8MPV075	TDR&TXV	40,500	0.77	12.20	14.50	
	EHD4X42A**	*8MPV100	TDR&TXV	41,000	0.77	12.50	15.00	
	EHD4X42A**	*8MPV125	TDR&TXV	41,000	0.77	12.50	15.00	
	EHD4X42A**	*9MPV100	TDR&TXV	40,500	0.77	12.20	14.50	
	EHD4X42A**	*9MPV125	TDR&TXV	40,500	0.77	12.50	15.00	
	EHD4X42A**	*9MVX060	TDR&TXV	39,500	0.77	12.00	14.00	
	EHD4X42A**	*9MVX080	TDR&TXV	40,000	0.77	12.20	14.50	
	EHD4X42A**	*9MVX100	TDR&TXV	40,000	0.77	12.20	14.50	
	EHD4X42A**	MV12F19**B*	TDR&TXV	40,000	0.77	13.00	15.00	
	EHD4X42A**	MV16J22**B*	TDR&TXV	40,000	0.77	13.00	15.00	
	EHD4X42A**	MV20L24**B*	TDR&TXV	40,000	0.77	13.00	15.00	
	EHD4X42A**	†	TXV	40,500	0.77	12.00		14.00
	EHD4X48A**	*8MPV075	TDR&TXV	40,500	0.77	12.20	14.50	
	EHD4X48A**	*8MPV100	TDR&TXV	41,000	0.77	12.50	15.00	
	EHD4X48A**	*8MPV125	TDR&TXV	41,000	0.77	12.50	15.00	
	EHD4X48A**	*9MPV100	TDR&TXV	41,000	0.77	12.20	14.50	
	EHD4X48A**	*9MPV125	TDR&TXV	41,000	0.77	12.50	15.00	
	EHD4X48A**	*9MVX060	TDR&TXV	40,500	0.77	12.00	14.00	
	EHD4X48A**	*9MVX080	TDR&TXV	40,500	0.77	12.20	14.50	
	EHD4X48A**	*9MVX100	TDR&TXV	40,500	0.77	12.20	14.50	
	EHD4X48A**	MV12F19**B*	TDR&TXV	41,000	0.77	13.00	15.50	
	EHD4X48A**	MV16J22**B*	TDR&TXV	41,000	0.77	13.00	15.50	
	EHD4X48A**	MV20L24**B*	TDR&TXV	41,000	0.77	13.00	15.50	
	EHD4X48A**	†	TXV	41,000	0.77	12.00		14.00
	EHD4X60A**	*8MPV075	TDR&TXV	41,500	0.77	12.50	14.75	
EHD4X60A**	*8MPV100	TDR&TXV	41,500	0.77	13.00	15.00		
EHD4X60A**	*8MPV125	TDR&TXV	41,500	0.77	13.00	15.00		
EHD4X60A**	*9MPV075	TDR&TXV	41,000	0.77	12.00	14.25		
EHD4X60A**	*9MPV100	TDR&TXV	41,500	0.77	13.00	15.00		
EHD4X60A**	*9MPV125	TDR&TXV	41,500	0.77	13.00	15.00		
EHD4X60A**	*9MVX060	TDR&TXV	41,000	0.77	12.00	14.50		
EHD4X60A**	*9MVX080	TDR&TXV	41,500	0.77	12.50	15.00		
EHD4X60A**	*9MVX100	TDR&TXV	41,500	0.77	13.00	15.00		
EHD4X60A**	*8MPV100	TDR&TXV	41,000	0.77	13.00	16.00		
EHD4X60A**	*8MPV125	TDR&TXV	41,000	0.77	13.00	16.00		
EHD4X60A**	MV12F19**B*	TDR&TXV	41,000	0.77	13.00	16.00		
EMA4X48D**	†	TXV	40,000	0.77	11.70		14.00	
FEM4X42****	—	TDR&TXV	40,500	0.77	12.20	14.50		
FEM4X48****	—	TDR&TXV	41,500	0.77	12.50	15.00		
FS(M,U)4X42****	—	TDR&TXV	40,000	0.77	11.70	13.50		
FS(M,U)4X48****	—	TDR&TXV	41,000	0.77	12.00	14.00		
FVM4X36****	—	TDR&TXV	39,500	0.77	12.50	15.00		
FVM4X48****	—	TDR&TXV	41,000	0.77	12.50	15.50		
FVM4X60****	—	TDR&TXV	41,500	0.77	12.50	15.50		

2009 ENERGY STAR compliance for combinations with both: SEER 14.50 or higher and EER 12.00 or higher.

† For coils not listed with a matching furnace or blower, coil rating applies with any indoor blower device.

- continued on next page -

**COOLING PERFORMANCE FOR COMBINATION RATINGS (continued) Indoor Models**

Outdoor Model	Current Indoor Model († tested combo)	Furnace Model	Factory Installed	Cooling (95 ° F)			SEER	
				BTU/hr	S/T	EER	factory	w/ field TDR
N4A448AKB N4A448GKB	‡ED*4X60L**	†	TXV	48,500	0.74	11.70		14.00
	ED*4X48F**	†	TXV	47,000	0.74	11.70		13.50
	ED*4X48J**	*8MPV100	TDR&TXV	47,000	0.74	12.00	14.50	
	ED*4X48J**	*8MPV125	TDR&TXV	47,500	0.74	12.20	14.50	
	ED*4X48J**	*9MVX080	TDR&TXV	47,000	0.74	11.70	14.00	
	ED*4X48J**	MV16J22**B*	TDR&TXV	47,000	0.74	12.00	15.00	
	ED*4X48J**	†	TXV	47,500	0.74	11.50		13.50
	ED*4X48L**	*9MPV125	TDR&TXV	47,000	0.74	12.00	14.00	
	ED*4X48L**	*9MVX100	TDR&TXV	47,000	0.74	12.00	14.00	
	ED*4X48L**	MV20L24**B*	TDR&TXV	47,000	0.74	12.50	15.00	
	ED*4X48L**	†	TXV	47,500	0.74	11.50		13.50
	ED*4X48L**	*8MPV100	TDR&TXV	47,500	0.74	12.00	14.25	
	ED*4X48L**	*8MPV125	TDR&TXV	47,500	0.74	12.00	14.50	
	ED*4X48L**	*9MPV100	TDR&TXV	47,000	0.74	11.50	14.00	
	ED*4X48L**	*9MPV125	TDR&TXV	47,000	0.74	12.00	14.25	
	ED*4X48L**	*9MVX080	TDR&TXV	47,000	0.74	11.50	14.00	
	ED*4X60J**	*8MPV100	TDR&TXV	48,500	0.74	12.20	14.50	
	ED*4X60J**	*8MPV125	TDR&TXV	48,500	0.74	12.50	15.00	
	ED*4X60J**	*9MPV100	TDR&TXV	48,500	0.74	12.20	14.50	
	ED*4X60J**	*9MVX080	TDR&TXV	48,500	0.74	12.20	14.50	
	ED*4X60J**	MV16J22**B*	TDR&TXV	48,500	0.74	12.50	15.00	
	ED*4X60J**	†	TXV	48,500	0.74	11.70		14.00
	ED*4X60L**	*9MPV125	TDR&TXV	48,000	0.74	12.20	14.50	
	ED*4X60L**	*9MVX100	TDR&TXV	48,000	0.74	12.20	14.50	
	ED*4X60L**	MV20L24**B*	TDR&TXV	48,500	0.74	12.50	15.00	
	ED*4X60L**	*8MPV100	TDR&TXV	48,500	0.74	12.00	14.50	
	ED*4X60L**	*8MPV125	TDR&TXV	48,500	0.74	12.00	14.50	
	ED*4X60L**	*9MPV100	TDR&TXV	48,000	0.74	12.00	14.50	
	ED*4X60L**	*9MPV125	TDR&TXV	48,000	0.74	12.00	14.50	
	ED*4X60L**	*9MVX080	TDR&TXV	48,000	0.74	12.00	14.50	
	EHD4X48A**	*8MPV100	TDR&TXV	47,000	0.74	12.00	14.50	
	EHD4X48A**	*8MPV125	TDR&TXV	47,000	0.74	12.20	14.50	
	EHD4X48A**	*9MVX080	TDR&TXV	47,000	0.74	11.70	14.00	
	EHD4X48A**	*9MVX100	TDR&TXV	47,000	0.74	12.00	14.00	
	EHD4X48A**	MV16J22**B*	TDR&TXV	47,000	0.74	12.50	15.00	
	EHD4X48A**	MV20L24**B*	TDR&TXV	47,000	0.74	12.50	15.00	
	EHD4X48A**	†	TXV	47,500	0.74	11.70		13.50
	EHD4X60A**	*8MPV100	TDR&TXV	48,000	0.74	12.20	14.50	
	EHD4X60A**	*8MPV125	TDR&TXV	48,000	0.74	12.50	15.00	
	EHD4X60A**	*9MPV100	TDR&TXV	48,000	0.74	12.20	14.50	
	EHD4X60A**	*9MPV125	TDR&TXV	48,000	0.74	12.20	14.50	
	EHD4X60A**	*9MVX080	TDR&TXV	48,000	0.74	12.20	14.50	
EHD4X60A**	*9MVX100	TDR&TXV	48,000	0.74	12.20	14.50		
EHD4X60A**	MV16J22**B*	TDR&TXV	48,500	0.74	13.00	15.00		
EHD4X60A**	MV20L24**B*	TDR&TXV	48,500	0.74	13.00	15.00		
EHD4X60A**	†	TXV	48,500	0.74	11.70		14.00	
EMA4X48D**	†	TXV	46,000	0.74	11.50		13.50	
FEM4X48****	—	TDR&TXV	48,500	0.74	12.20	14.50		
FEM4X60****	—	TDR&TXV	49,000	0.74	12.50	15.00		
FS(M,U)4X48****	—	TDR&TXV	48,000	0.74	11.50	13.50		
FS(M,U)4X60****	—	TDR&TXV	48,500	0.74	11.70	14.00		
FVM4X48****	—	TDR&TXV	48,000	0.74	12.50	15.00		
FVM4X60****	—	TDR&TXV	48,500	0.74	12.50	15.50		
N4A449AKB N4A449GKB	‡ED*4X60L**	†	TXV	46,000	0.75	12.50		14.50
	ED*4X48F**	*8MPV100	TDR&TXV	45,000	0.75	12.50	15.00	
	ED*4X48F**	*8MPV125	TDR&TXV	45,000	0.75	12.50	15.00	
	ED*4X48F**	*9MPV100	TDR&TXV	45,000	0.75	12.50	14.50	
	ED*4X48F**	*9MVX080	TDR&TXV	45,000	0.75	12.50	14.50	
	ED*4X48F**	MV16J22**B*	TDR&TXV	45,000	0.75	13.00	16.00	
	ED*4X48F**	†	TXV	45,000	0.75	12.50		14.50
	ED*4X48J**	*8MPV100	TDR&TXV	45,000	0.75	12.50	15.00	
	ED*4X48J**	*8MPV125	TDR&TXV	45,000	0.75	12.50	15.00	
	ED*4X48J**	*9MPV100	TDR&TXV	44,500	0.75	12.50	14.50	
	ED*4X48J**	*9MPV125	TDR&TXV	44,500	0.75	12.50	15.00	
	ED*4X48J**	*9MVX080	TDR&TXV	44,500	0.75	12.50	14.50	
	ED*4X48J**	*9MVX100	TDR&TXV	44,500	0.75	12.50	15.00	
	ED*4X48J**	MV16J22**B*	TDR&TXV	45,000	0.75	13.00	16.00	

2009 ENERGY STAR compliance for combinations with both: SEER 14.50 or higher and EER 12.00 or higher.

† For coils not listed with a matching furnace or blower, coil rating applies with any indoor blower device.

- continued on next page -



COOLING PERFORMANCE FOR COMBINATION RATINGS (continued) Indoor Models								
Outdoor Model	Current Indoor Model († tested combo)	Furnace Model	Factory Installed	Cooling (95 ° F)			SEER	
				BTU/hr	S/T	EER	factory	w/ field TDR
N4A449AKB N4A449GKB (continued)	ED*4X48J**	†	TXV	45,000	0.75	12.00		14.20
	ED*4X48L**	*8MPV100	TDR&TXV	45,000	0.75	12.50	15.00	
	ED*4X48L**	*8MPV125	TDR&TXV	45,000	0.75	12.50	15.00	
	ED*4X48L**	*9MPV100	TDR&TXV	44,500	0.75	12.50	14.50	
	ED*4X48L**	*9MPV125	TDR&TXV	44,500	0.75	12.50	15.00	
	ED*4X48L**	*9MVX080	TDR&TXV	45,000	0.75	12.50	14.50	
	ED*4X48L**	*9MVX100	TDR&TXV	44,500	0.75	12.50	15.00	
	ED*4X48L**	MV16J22**B*	TDR&TXV	45,000	0.75	13.00	16.00	
	ED*4X48L**	†	TXV	45,000	0.75	12.00		14.20
	ED*4X60J**	*8MPV100	TDR&TXV	46,000	0.75	13.00	16.00	
	ED*4X60J**	*8MPV125	TDR&TXV	46,000	0.75	13.00	16.00	
	ED*4X60J**	*9MPV100	TDR&TXV	45,500	0.75	12.50	15.00	
	ED*4X60J**	*9MPV125	TDR&TXV	45,500	0.75	12.50	15.50	
	ED*4X60J**	*9MVX080	TDR&TXV	45,500	0.75	12.50	15.00	
	ED*4X60J**	*9MVX100	TDR&TXV	45,500	0.75	12.50	15.50	
	ED*4X60J**	MV16J22**B*	TDR&TXV	46,000	0.75	13.00	16.00	
	ED*4X60J**	†	TXV	46,000	0.75	12.50		14.50
	ED*4X60L**	*8MPV100	TDR&TXV	46,000	0.75	12.50	15.50	
	ED*4X60L**	*8MPV125	TDR&TXV	46,000	0.75	13.00	16.00	
	ED*4X60L**	*9MPV100	TDR&TXV	45,500	0.75	12.50	15.00	
	ED*4X60L**	*9MPV125	TDR&TXV	45,500	0.75	12.50	15.50	
	ED*4X60L**	*9MVX080	TDR&TXV	45,500	0.75	12.50	15.00	
	ED*4X60L**	*9MVX100	TDR&TXV	45,500	0.75	12.50	15.50	
	ED*4X60L**	MV16J22**B*	TDR&TXV	46,000	0.75	13.00	16.00	
	EHD4X48A**	*8MPV100	TDR&TXV	45,500	0.75	12.50	15.00	
	EHD4X48A**	*8MPV125	TDR&TXV	45,000	0.75	12.50	15.00	
	EHD4X48A**	*9MPV100	TDR&TXV	45,000	0.75	12.50	15.00	
	EHD4X48A**	*9MPV125	TDR&TXV	45,000	0.75	12.50	15.00	
	EHD4X48A**	*9MVX080	TDR&TXV	45,000	0.75	12.50	15.00	
	EHD4X48A**	*9MVX100	TDR&TXV	45,000	0.75	12.50	15.00	
	EHD4X48A**	MV16J22**B*	TDR&TXV	45,000	0.75	13.00	16.00	
	EHD4X48A**	†	TXV	45,500	0.75	12.50		14.50
	EHD4X60A**	*8MPV100	TDR&TXV	46,000	0.75	13.00	16.00	
	EHD4X60A**	*8MPV125	TDR&TXV	46,000	0.75	13.00	16.00	
	EHD4X60A**	*9MPV100	TDR&TXV	46,000	0.75	12.50	15.50	
	EHD4X60A**	*9MPV125	TDR&TXV	46,000	0.75	13.00	16.00	
	EHD4X60A**	*9MVX080	TDR&TXV	46,000	0.75	12.50	15.50	
	EHD4X60A**	*9MVX100	TDR&TXV	46,000	0.75	12.50	15.50	
	EHD4X60A**	MV16J22**B*	TDR&TXV	46,000	0.75	13.00	16.00	
	EHD4X60A**	†	TXV	46,000	0.75	12.50		14.50
EMA4X48D**	†	TXV	44,000	0.75	12.50		14.20	
FEM4X48****	—	TDR&TXV	46,000	0.75	12.50	15.50		
FEM4X60****	—	TDR&TXV	46,000	0.75	13.00	16.00		
FS(M,U)4X48****	—	TDR&TXV	45,000	0.75	12.00	14.50		
FS(M,U)4X60****	—	TDR&TXV	46,000	0.75	12.00	14.50		
FVM4X48****	—	TDR&TXV	46,000	0.75	13.00	16.00		
FVM4X60****	—	TDR&TXV	46,000	0.75	13.00	16.00		
N4A460AKB N4A460GKB	†ED*4X60L**	†	TXV	59,000	0.75	12.00		14.00
	ED*4X60J**	*8MPV100	TDR&TXV	57,000	0.75	12.20	14.50	
	ED*4X60J**	*8MPV125	TDR&TXV	57,000	0.75	12.50	14.50	
	ED*4X60J**	*9MVX080	TDR&TXV	57,000	0.75	12.00	14.50	
	ED*4X60J**	MV16J22**B*	TDR&TXV	58,500	0.75	12.50	14.50	
	ED*4X60J**	†	TXV	58,000	0.75	12.00		14.00
	ED*4X60J**	*8MPV100	TDR&TXV	57,000	0.75	12.00	14.50	
	ED*4X60J**	*8MPV125	TDR&TXV	57,000	0.75	12.50	14.50	
	ED*4X60J**	*9MPV100	TDR&TXV	57,000	0.75	12.00	14.00	
	ED*4X60J**	*9MVX080	TDR&TXV	57,000	0.75	12.00	14.00	
	ED*4X60L**	*9MPV125	TDR&TXV	56,500	0.75	12.20	14.50	
	ED*4X60L**	*9MVX100	TDR&TXV	57,000	0.75	12.00	14.50	
ED*4X60L**	MV20L24**B*	TDR&TXV	58,500	0.75	12.50	14.50		

2009 ENERGY STAR compliance for combinations with both: SEER 14.50 or higher and EER 12.00 or higher.

† For coils not listed with a matching furnace or blower, coil rating applies with any indoor blower device.

- continued on next page -

**COOLING PERFORMANCE FOR COMBINATION RATINGS (continued) Indoor Models**

Outdoor Model	Current Indoor Model (‡ tested combo)	Furnace Model	Factory Installed	Cooling (95 ° F)			SEER	
				BTU/hr	S/T	EER	factory	w/ field TDR
N4A460AKB N4A460GKB (continued)	ED*4X60L**	*8MPV100	TDR&TXV	57,000	0.75	12.00	14.50	
	ED*4X60L**	*8MPV125	TDR&TXV	58,500	0.75	12.00	14.00	
	ED*4X60L**	*9MPV100	TDR&TXV	56,500	0.75	12.00	14.00	
	ED*4X60L**	*9MPV125	TDR&TXV	56,500	0.75	12.00	14.50	
	ED*4X60L**	*9MPV125	TDR&TXV	56,500	0.75	12.00	14.50	
	ED*4X60L**	*9MVX080	TDR&TXV	57,000	0.75	12.00	14.00	
	ED*4X60L**	*9MVX100	TDR&TXV	56,500	0.75	12.00	14.25	
	EHD4X60A**	*8MPV100	TDR&TXV	57,000	0.75	12.20	14.50	
	EHD4X60A**	*8MPV125	TDR&TXV	57,000	0.75	12.20	14.50	
	EHD4X60A**	*9MPV125	TDR&TXV	56,500	0.75	12.20	14.50	
	EHD4X60A**	*9MVX080	TDR&TXV	57,000	0.75	12.00	14.50	
	EHD4X60A**	*9MVX100	TDR&TXV	57,000	0.75	12.00	14.50	
	EHD4X60A**	MV16J22**B*	TDR&TXV	58,500	0.75	12.50	14.50	
	EHD4X60A**	MV20L24**B*	TDR&TXV	58,500	0.75	12.50	14.50	
	EHD4X60A**	†	TXV	59,000	0.75	12.00		14.00
	EHD4X60A**	*8MPV100	TDR&TXV	57,500	0.75	12.00	14.50	
	EHD4X60A**	*8MPV125	TDR&TXV	57,500	0.75	12.50	14.50	
	EHD4X60A**	*9MPV100	TDR&TXV	57,000	0.75	12.00	14.25	
	EHD4X60A**	*9MPV125	TDR&TXV	57,000	0.75	12.00	14.50	
	EHD4X60A**	*9MVX080	TDR&TXV	57,000	0.75	12.00	14.25	
EHD4X60A**	*9MVX100	TDR&TXV	57,000	0.75	12.00	14.50		
FEM4X60****	—	TDR&TXV	60,000	0.75	12.20	14.50		
FS(M,U)4X60****	—	TDR&TXV	59,000	0.75	11.50	13.50		
FVM4X60****	—	TDR&TXV	59,000	0.75	12.20	14.50		

2009 ENERGY STAR compliance for combinations with both: SEER 14.50 or higher and EER 12.00 or higher.

† For coils not listed with a matching furnace or blower, coil rating applies with any indoor blower device.

ACCESSORY USAGE GUIDELINES		
Accessory	REQUIRED FOR LOW-AMBIENT APPLICATIONS {Below 55°F (13°C)}	REQUIRED FOR LONG LINE APPLICATIONS* {Over 80 Ft. (24.4m)}
Crankcase Heater	<b>Yes</b>	<b>Yes</b>
Evaporator Freeze Thermostat	<b>Yes</b>	No
Winter Start Control	<b>Yes **</b>	No
Hard Start Kit (Capacitor & Relay)	<b>Yes</b>	<b>Yes</b>
Low Ambient Kit (Pressure Switch)	<b>Yes</b>	No
Support Feet, 4" (102mm) tall	Recommended	No
Liquid Line Solenoid Valve	No	See Long-Line Application Guideline

\* For Line Set lengths between 80 and 200 ft (24.4 and 61m) horizontal, or more than 20 ft (6.1m) indoor-outdoor vertical separation, refer to the Long Line Application Guideline document.

\*\* Can only be installed in conjunction with Low Pressure Switch.

ACCESSORIES		
Part Number	Description	Used On Model Size
NASA003CH	Crankcase Heater for Scroll Compressor (208/230 V)	18, 24, 30, 36
NASA001CH	Crankcase Heater for Scroll Compressor (208/230 V)	42, 48 (49, 60 Factory installed)
NASA001SC	Start Component - PTC Device	ALL
NASA001FS	Evaporator Freeze Thermostat	ALL
NASA403PS	Low Pressure Switch, AC, R-410A	ALL
NASA404PS	High Pressure Switch, AC or HP, R-410A	ALL
NASA401LS	Liquid Line Solenoid Valve, R-410A	ALL
NASA001TD	Time Delay Relay, Indoor Blower	ALL
NASA001WS	Winter Start Control	ALL
NASA001AC	Anti-Cycle Timer (5 minute delay)	ALL
NASA005SC	Hard Start Kit (Capacitor & Relay)	ALL
NASA401LA	Low Ambient Kit (Pressure Switch), R-410A	ALL
NASA001SF	Support Feet, 4" (102mm) tall	ALL
NASA001SJ	Sound Jacket, Compressor	18, 24, 30, 36, 42, 48, 49
NASA003SJ	Sound Jacket, Compressor	60
NAEA40501TX	TXV Kit, R-410A - 2010 and later Piston Coils	18, 24, 30
NAEA40601TX	TXV Kit, R-410A - 2010 and later Piston Coils	36, 42
NAEA40701TX	TXV Kit, R-410A - 2010 and later Piston Coils	48, 49, 60
EBAC05TXVX	TXV Kit, R-410A - 2005-2009 R-22 TXV Fancoils (air handlers)	18, 24, 30
EBAC06TXVX	TXV Kit, R-410A - 2005-2009 R-22 TXV Fancoils (air handlers)	36, 42
EBAC07TXVX	TXV Kit, R-410A - 2005-2009 R-22 TXV Fancoils (air handlers)	48, 49, 60