



LK-HTS | MARCH 2020
Replaces October 2019

1/2 - 6 HP AIR-COOLED CONDENSING UNITS

Technical Guide
Now including DOE compliant models





TABLE OF CONTENTS

| | |
|-----------|--|
| 3 | Features & Benefits |
| 4 | Nomenclature |
| 4 | Preferred Option Packages |
| 5 | Standard Features |
| 5 | Electrical & Mechanical Options |
| 6 | Scroll Compressor Models |
| 6 | Performance Data |
| 6 | Medium Temperature (R-404A/R-507A) |
| 8 | Medium Temperature (R-448A/R-449A) |
| 10 | Medium Temperature (R-407A) |
| 12 | Medium Temperature (R-407C) |
| 14 | Low Temperature (R-404A/R-507A) |
| 16 | Low Temperature (R-448A/R-449A) |
| 18 | Low Temperature (R-407A/R-407F) |
| 20 | Low Temperature (R-407C) |
| 22 | Unit Specifications |
| 23 | Electrical Data |
| 23 | Medium Temperature Copeland Scroll Models |
| 25 | Medium Temperature LG Scroll Models |
| 26 | Low Temperature Copeland Scroll Models |
| 27 | AWEF Medium Temperature Data |
| 27 | Medium Temperature Copeland Scroll Models |
| 28 | Medium Temperature LG Scroll Models |
| 29 | AWEF Low Temperature Data |
| 29 | Low Temperature Copeland Scroll Models |
| 30 | Hermetic Compressor Models |
| 30 | Performance Data |
| 30 | Medium Temperature (R-404A/R-507A) |
| 31 | Medium Temperature (R-448A/R-449A) |
| 32 | Medium Temperature (R-407A) |
| 33 | Low Temperature (R-404A/R-507A) |
| 34 | Unit Specifications |
| 35 | Electrical Data |
| 36 | AWEF Medium Temperature Data |
| 36 | AWEF Low Temperature Data |
| 37 | Replacement Parts |
| 39 | Dimensional Diagrams |

FEATURES & BENEFITS

CABINET AND CONSTRUCTION

- Microchannel coil technology standard on all units
- Painted steel cabinets for superior strength and corrosion protection
- Heavy duty, steel, 1-1/2" tall base

SERVICEABILITY

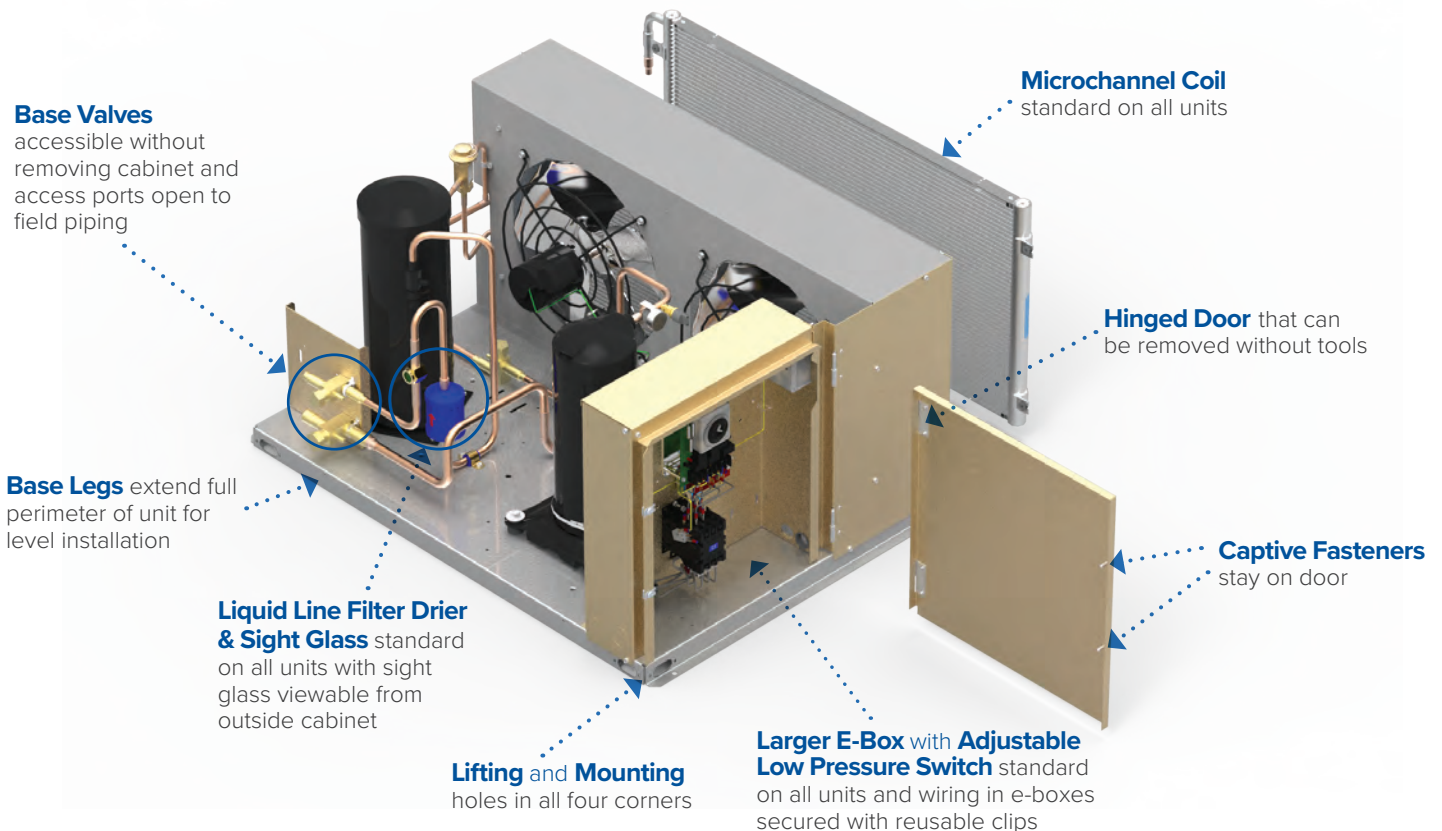
- Suction service valves for hermetic and scroll compressors located outside the cabinet for quick installations.
- Receiver with fusible plug, liquid shutoff valve and charging port is standard
- Large electrical panel for ease of access
- Prefabricated wiring harnesses for tight crimp connections and consistent labeling

- Unit stays on if the hood is removed for servicing
- Sight glass is easily viewable

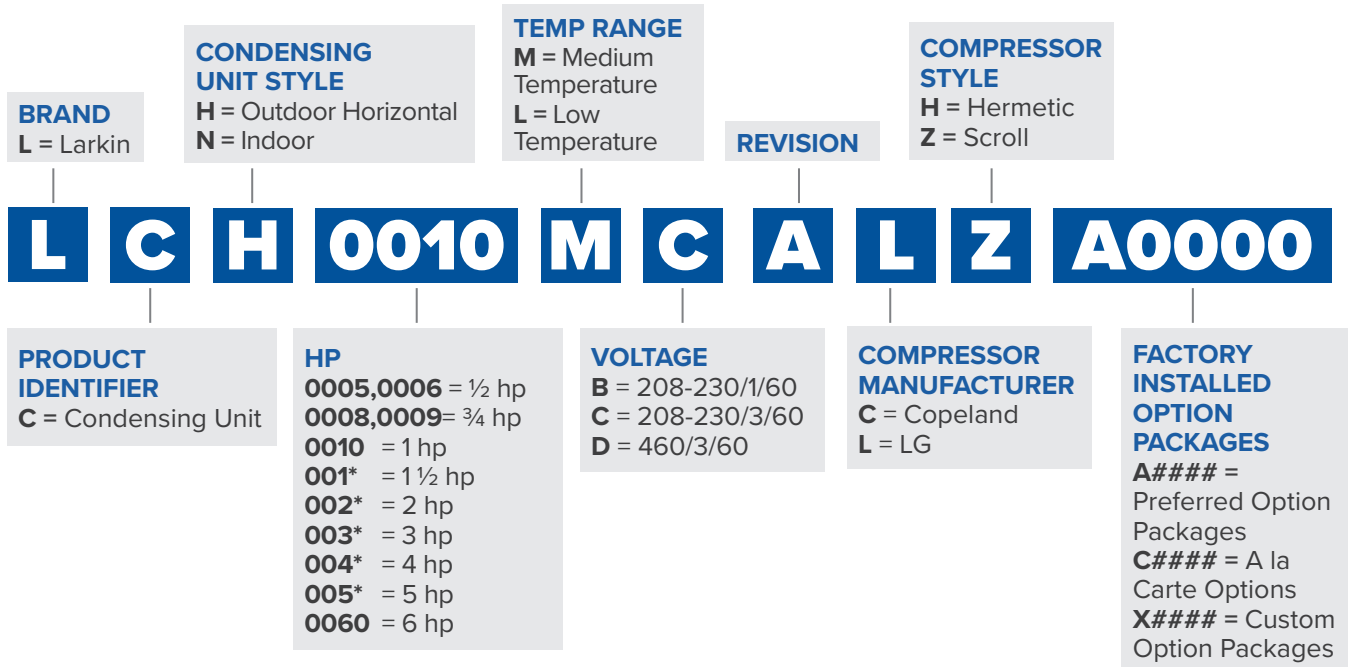
QUALITY

- All units are completely leak tested in a helium environment, bump tested and allowed to cycle off on the high and low pressure control. Each unit has a copy of the run data shipped inside the electrical panel
- Electrical circuits are completely checked for continuity
- Piping is laid out to minimize stress and vibration and is pre-bent to eliminate leaks
- Encapsulated, auto-reset, high and low pressure controls to eliminate leaks (adjustable low pressure control standard on all models)

OUTSTANDING FEATURES



NOMENCLATURE



PREFERRED OPTION PACKAGES:

Please see Price Book or The HUB for availability

| Package | Description (standard base model features + indicated option below) |
|---------|--|
| A0000 | Standard Base |
| A0100 | Timer-Air |
| A0200 | Timer-Elec |
| A0201 | Timer-Elec + Fixed Speed EC Motor |
| A0300 | Timer Contactor |
| A0301 | Timer Contactor + Fixed Speed EC Motor |
| A0400 | intelliGen™/Beacon II™ |
| A0401 | intelliGen™/Beacon II™ + Fixed Speed EC Motor |
| A0500 | Timer-Air-Paragon |
| A0600 | Timer-Elec-Paragon |
| A0601 | Timer-Elec-Paragon + Fixed Speed EC Motor |
| A0700 | Timer-Contactor-Paragon |
| A0701 | Timer-Contactor-Paragon + Fixed Speed EC Motor |
| A0800 | Timer-Air-Paragon + Aluminum Fin/CopperTube Coil |
| A0900 | intelliGen™/Beacon II™ + Suction Filter |
| A0901 | intelliGen™/Beacon II™ + Suction Filter + Fixed Speed EC Motor |
| A1000 | Accumulator |
| A1001 | Accumulator + Fixed Speed EC Motor |
| A1100 | Timer-Air-Paragon + Aluminum Fin/CopperTube Coil + Accumulator |
| A1200 | R-404A Precharge |
| A1201 | R-404A Precharge + Fixed Speed EC Motor |
| A1204 | R-448A Precharge |
| A1205 | R-448A Precharge + Fixed Speed EC Motor |

STANDARD FEATURES

Microchannel Coil

Head Pressure Control Valve

- 150 psi standard - except Low Temperature Scroll models which are 100 psi

Crankcase Heater (optional for indoor models)

Adjustable Low Pressure Control

Fixed High Pressure Control

Sealed Liquid Line Drier (new)

Liquid Line Sight Glass (new)

Liquid Line and Suction Line Base Valves

Painted Steel Cabinet (outdoor and indoor models)

Removable & Hinged E-box Door with Captive Fasteners

ELECTRICAL OPTIONS

| Option | Outdoor | Indoor |
|---|----------|--------|
| Fixed low pressure control | Option | Option |
| Air or Electric defrost timer only | Option | Option |
| intelliGen™/Beacon II™ | Option | N/A |
| Crankcase Heater | Standard | Option |
| Dual pressure control (not available with intelliGen™/Beacon II™ or Low Ambient Kit) | Option | Option |
| Electric defrost with timer & contactors (C3 cabinet) | Option | Option |
| Fused disconnect | Option | Option |
| Phase loss / low voltage monitor (not available with intelliGen™/Beacon II™ or Low Ambient Kit) | Option | Option |
| Smart Defrost Kit™ (Factory-Installed) | Option | Option |
| Variable speed EC (VSEC) motors with Orbus controller | Option | Option |

MECHANICAL OPTIONS

| Option | Outdoor | Indoor |
|--|----------|----------|
| 12" Extended legs | Option | Option |
| Head pressure control flooding valve | Standard | N/A |
| Liquid line drier, sight glass | Standard | Standard |
| Liquid line solenoid valve and pumpdown switch (not available with intelliGen™/Beacon II™) | Option | Option |
| Low ambient kit with heated and insulated receiver, Time Delay relay | Option | N/A |
| Oil separator with discharge line check valve (C3 cabinet) | Option | Option |
| Oversize receiver (C2 & C3 cabinets) | Option | Option |
| Precharged refrigerant with quick connect fittings | Option | Option |
| Replaceable core liquid line filter (C3 cabinet) | Option | Option |
| Replaceable core suction line filter (C3 cabinet) | Option | Option |

PERFORMANCE DATA – R-404A/R-507A

Medium Temperature Models - Scroll Compressors

Please consult AWEF table on pages 27-28 to confirm DOE compliance per model

| R-404A/R-507A | | Capacity BTUH @ 90°F Ambient by SST | | | | | | | |
|---------------|------------------|-------------------------------------|--------|--------|--------|--------|--------|--------|--------|
| Model | Compressor | +40°F | +35°F | +30°F | +25°F | +20°F | +15°F | +10°F | +0°F |
| LC*0005M^ACZ | ZB06KAE | 10,480 | 9,630 | 8,790 | 7,980 | 7,220 | 6,500 | 5,830 | 4,660 |
| LC*0008M^ACZ | ZB07KAE | 12,370 | 11,280 | 10,280 | 9,350 | 8,520 | 7,740 | 7,020 | 5,710 |
| LC*0009M^ACZ | ZB08KAE | 13,590 | 12,390 | 11,300 | 10,320 | 9,430 | 8,630 | 7,890 | 6,540 |
| LC*0010M^A‡Z | ZS09KAE / MPA010 | 16,680 | 15,270 | 13,930 | 12,690 | 11,520 | 10,440 | 9,440 | 7,670 |
| LC*0015M^A‡Z | ZS13KAE / MPA013 | 24,210 | 22,090 | 20,090 | 18,230 | 16,490 | 14,910 | 13,440 | 10,860 |
| LC*0020M^A‡Z | ZS15KAE / MPA015 | 28,390 | 26,020 | 23,670 | 21,520 | 19,510 | 17,650 | 15,930 | 12,920 |
| LC*0025M^A‡Z | ZS19KAE / MPA019 | 31,330 | 28,660 | 26,160 | 23,780 | 21,570 | 19,540 | 17,650 | 14,330 |
| LC*0030M^A‡Z | ZS21KAE / MBA021 | 43,740 | 40,010 | 36,480 | 33,150 | 30,080 | 27,190 | 24,510 | 19,780 |
| LC*0035M^A‡Z | ZS26KAE / MBA026 | 48,200 | 44,100 | 40,210 | 36,550 | 33,130 | 29,970 | 27,050 | 21,850 |
| LC*0045M^A‡Z | ZS29KAE / MBA029 | 54,280 | 49,600 | 45,210 | 41,090 | 37,250 | 33,690 | 30,400 | 24,620 |
| LC*0050M^A‡Z | ZS33KAE / MBA033 | 58,310 | 53,440 | 48,880 | 44,540 | 40,470 | 36,690 | 33,160 | 26,890 |
| LC*0055M^A‡Z | ZS38K4E / MRA038 | 59,360 | 54,860 | 50,510 | 46,560 | 42,650 | 39,050 | 35,670 | 29,580 |
| LC*0060M^A‡Z | ZS45K4E / MRA045 | 68,420 | 63,390 | 58,660 | 53,990 | 49,520 | 45,550 | 41,660 | 34,740 |

| R-404A/R-507A | | Capacity BTUH @ 95°F Ambient by SST | | | | | | | |
|---------------|------------------|-------------------------------------|--------|--------|--------|--------|--------|--------|--------|
| Model | Compressor | +40°F | +35°F | +30°F | +25°F | +20°F | +15°F | +10°F | +0°F |
| LC*0005M^ACZ | ZB06KAE | 10,060 | 9,240 | 8,430 | 7,660 | 6,930 | 6,240 | 5,600 | 4,480 |
| LC*0008M^ACZ | ZB07KAE | 11,860 | 10,820 | 9,860 | 8,980 | 8,180 | 7,440 | 6,750 | 5,490 |
| LC*0009M^ACZ | ZB08KAE | 13,000 | 11,870 | 10,830 | 9,900 | 9,050 | 8,290 | 7,580 | 6,270 |
| LC*0010M^A‡Z | ZS09KAE / MPA010 | 16,020 | 14,670 | 13,380 | 12,200 | 11,080 | 10,040 | 9,080 | 7,390 |
| LC*0015M^A‡Z | ZS13KAE / MPA013 | 23,300 | 21,260 | 19,340 | 17,540 | 15,900 | 14,360 | 12,950 | 10,470 |
| LC*0020M^A‡Z | ZS15KAE / MPA015 | 27,300 | 24,980 | 22,770 | 20,700 | 18,770 | 16,990 | 15,340 | 12,450 |
| LC*0025M^A‡Z | ZS19KAE / MPA019 | 30,100 | 27,510 | 25,170 | 22,860 | 20,740 | 18,790 | 16,990 | 13,800 |
| LC*0030M^A‡Z | ZS21KAE / MBA021 | 42,040 | 38,470 | 35,080 | 31,930 | 28,950 | 26,180 | 23,610 | 19,080 |
| LC*0035M^A‡Z | ZS26KAE / MBA026 | 46,320 | 42,390 | 38,660 | 35,160 | 31,880 | 28,870 | 26,050 | 21,070 |
| LC*0045M^A‡Z | ZS29KAE / MBA029 | 52,140 | 47,650 | 43,440 | 39,500 | 35,820 | 32,410 | 29,260 | 23,720 |
| LC*0050M^A‡Z | ZS33KAE / MBA033 | 55,960 | 51,360 | 46,940 | 42,790 | 38,900 | 35,270 | 31,900 | 25,900 |
| LC*0055M^A‡Z | ZS38K4E / MRA038 | 56,980 | 52,660 | 48,570 | 44,620 | 40,930 | 37,470 | 34,230 | 28,380 |
| LC*0060M^A‡Z | ZS45K4E / MRA045 | 65,650 | 60,830 | 56,280 | 51,800 | 47,550 | 43,730 | 39,970 | 33,350 |

Notes:

* H = Outdoor, N = Indoor

^ B = 208-230/1/60, C = 208-230/3/60, D = 460/3/60

‡ C = Copeland, L = LG

PERFORMANCE DATA – R-404A/R-507A

Medium Temperature Models - Scroll Compressors (Cont.)

Please consult AWEF table on pages 27-28 to confirm DOE compliance per model

| R-404A/R-507A | | Capacity BTUH @ 100°F Ambient by SST | | | | | | | |
|---------------|------------------|--------------------------------------|--------|--------|--------|--------|--------|--------|--------|
| Model | Compressor | +40°F | +35°F | +30°F | +25°F | +20°F | +15°F | +10°F | +0°F |
| LC*0005M^ACZ | ZB06KAE | 9,640 | 8,840 | 8,070 | 7,340 | 6,630 | 5,980 | 5,360 | 4,290 |
| LC*0008M^ACZ | ZB07KAE | 11,350 | 10,360 | 9,440 | 8,620 | 7,840 | 7,130 | 6,470 | 5,260 |
| LC*0009M^ACZ | ZB08KAE | 12,430 | 11,350 | 10,370 | 9,480 | 8,680 | 7,940 | 7,270 | 6,000 |
| LC*0010M^A‡Z | ZS09KAE / MPA010 | 15,350 | 14,040 | 12,860 | 11,690 | 10,620 | 9,630 | 8,720 | 7,100 |
| LC*0015M^A‡Z | ZS13KAE / MPA013 | 22,360 | 20,410 | 18,570 | 16,870 | 15,270 | 13,800 | 12,440 | 10,070 |
| LC*0020M^A‡Z | ZS15KAE / MPA015 | 26,250 | 23,970 | 21,850 | 19,870 | 18,020 | 16,320 | 14,740 | 11,980 |
| LC*0025M^A‡Z | ZS19KAE / MPA019 | 28,850 | 26,410 | 24,090 | 21,920 | 19,900 | 18,030 | 16,300 | 13,260 |
| LC*0030M^A‡Z | ZS21KAE / MBA021 | 40,300 | 36,950 | 33,700 | 30,650 | 27,800 | 25,150 | 22,700 | 18,360 |
| LC*0035M^A‡Z | ZS26KAE / MBA026 | 44,400 | 40,650 | 37,090 | 33,740 | 30,640 | 27,730 | 25,030 | 20,260 |
| LC*0045M^A‡Z | ZS29KAE / MBA029 | 49,890 | 45,650 | 41,640 | 37,870 | 34,350 | 31,100 | 28,090 | 22,810 |
| LC*0050M^A‡Z | ZS33KAE / MBA033 | 53,500 | 49,250 | 44,970 | 41,000 | 37,290 | 33,830 | 30,610 | 24,890 |
| LC*0055M^A‡Z | ZS38K4E / MRA038 | 54,550 | 50,420 | 46,510 | 42,720 | 39,180 | 35,870 | 32,760 | 27,170 |
| LC*0060M^A‡Z | ZS45K4E / MRA045 | 62,860 | 58,240 | 53,880 | 49,590 | 45,520 | 41,800 | 38,270 | 31,940 |

| R-404A/R-507A | | Capacity BTUH @ 110°F Ambient by SST | | | | | | | |
|---------------|------------------|--------------------------------------|--------|--------|--------|--------|--------|--------|--------|
| Model | Compressor | +40°F | +35°F | +30°F | +25°F | +20°F | +15°F | +10°F | +0°F |
| LC*0005M^ACZ | ZB06KAE | 8,770 | 8,060 | 7,360 | 6,690 | 6,050 | 5,450 | 4,890 | 3,920 |
| LC*0008M^ACZ | ZB07KAE | 10,310 | 9,440 | 8,620 | 7,860 | 7,160 | 6,520 | 5,910 | 4,800 |
| LC*0009M^ACZ | ZB08KAE | 11,310 | 10,340 | 9,460 | 8,660 | 7,930 | 7,260 | 6,650 | 5,470 |
| LC*0010M^A‡Z | ZS09KAE / MPA010 | 13,980 | 12,820 | 11,690 | 10,650 | 9,680 | 8,780 | 7,950 | 6,500 |
| LC*0015M^A‡Z | ZS13KAE / MPA013 | 20,480 | 18,700 | 17,020 | 15,440 | 13,980 | 12,640 | 11,400 | 9,240 |
| LC*0020M^A‡Z | ZS15KAE / MPA015 | 23,910 | 21,880 | 19,950 | 18,140 | 16,490 | 14,930 | 13,500 | 10,970 |
| LC*0025M^A‡Z | ZS19KAE / MPA019 | 26,310 | 24,060 | 21,950 | 19,980 | 18,140 | 16,450 | 14,880 | 12,140 |
| LC*0030M^A‡Z | ZS21KAE / MBA021 | 36,830 | 33,730 | 30,790 | 28,020 | 25,420 | 23,020 | 20,790 | 16,860 |
| LC*0035M^A‡Z | ZS26KAE / MBA026 | 40,560 | 37,150 | 33,910 | 30,860 | 28,000 | 25,360 | 22,910 | 18,580 |
| LC*0045M^A‡Z | ZS29KAE / MBA029 | 45,400 | 41,560 | 37,920 | 34,570 | 31,380 | 28,430 | 25,700 | 20,890 |
| LC*0050M^A‡Z | ZS33KAE / MBA033 | 48,680 | 44,690 | 40,890 | 37,310 | 33,950 | 30,830 | 27,920 | 22,790 |
| LC*0055M^A‡Z | ZS38K4E / MRA038 | 49,590 | 45,860 | 42,240 | 38,820 | 35,590 | 32,570 | 29,740 | 24,660 |
| LC*0060M^A‡Z | ZS45K4E / MRA045 | 57,200 | 53,130 | 49,020 | 45,100 | 41,470 | 38,050 | 34,840 | 29,110 |

Notes:

* H = Outdoor, N = Indoor
 ^ B = 208-230/1/60, C = 208-230/3/60, D = 460/3/60
 ‡ C = Copeland, L = LG

PERFORMANCE DATA – R-448A/R-449A

Medium Temperature Models - Scroll Compressors

Please consult AWEF table on pages 27-28 to confirm DOE compliance per model

| R-448A/R-449A | | Capacity BTUH @ 90°F Ambient by SST | | | | | | | |
|---------------|------------------|-------------------------------------|--------|--------|--------|--------|--------|--------|--------|
| Model | Compressor | +40°F | +35°F | +30°F | +25°F | +20°F | +15°F | +10°F | +0°F |
| LC*0005M^ACZ | ZB06KAE | 9,680 | 8,840 | 8,030 | 7,260 | 6,530 | 5,840 | 5,200 | 4,090 |
| LC*0008M^ACZ | ZB07KAE | 11,150 | 10,260 | 9,420 | 8,590 | 7,790 | 7,030 | 6,300 | 4,950 |
| LC*0009M^ACZ | ZB08KAE | 12,580 | 11,680 | 10,770 | 9,870 | 9,020 | 8,160 | 7,340 | 5,780 |
| LC*0010M^A‡Z | ZS09KAE / MPA010 | 13,500 | 12,240 | 11,080 | 10,050 | 9,130 | 8,310 | 7,570 | 6,330 |
| LC*0015M^A‡Z | ZS13KAE / MPA013 | 19,570 | 17,670 | 15,910 | 14,340 | 12,930 | 11,690 | 10,580 | 8,710 |
| LC*0020M^A‡Z | ZS15KAE / MPA015 | 22,970 | 20,760 | 18,730 | 16,950 | 15,330 | 13,900 | 12,630 | 10,480 |
| LC*0025M^A‡Z | ZS19KAE / MPA019 | 25,270 | 22,880 | 20,700 | 18,720 | 17,000 | 15,460 | 14,070 | 11,760 |
| LC*0030M^A‡Z | ZS21KAE / MBA021 | 37,270 | 34,140 | 31,100 | 28,270 | 25,610 | 23,160 | 20,880 | 16,860 |
| LC*0035M^A‡Z | ZS26KAE / MBA026 | 45,170 | 41,130 | 37,250 | 33,700 | 30,310 | 27,240 | 24,440 | 19,780 |
| LC*0045M^A‡Z | ZS29KAE / MBA029 | 45,790 | 42,010 | 38,410 | 35,040 | 31,820 | 28,810 | 26,030 | 21,100 |
| LC*0050M^A‡Z | ZS33KAE / MBA033 | 50,040 | 46,000 | 42,110 | 38,410 | 34,880 | 31,620 | 28,470 | 22,790 |
| LC*0055M^A‡Z | ZS38K4E / MRA038 | 55,890 | 51,810 | 47,850 | 43,820 | 39,900 | 36,130 | 32,480 | 25,820 |
| LC*0060M^A‡Z | ZS45K4E / MRA045 | 64,210 | 59,590 | 54,990 | 50,460 | 46,130 | 41,830 | 37,700 | 30,120 |

| R-448A/R-449A | | Capacity BTUH @ 95°F Ambient by SST | | | | | | | |
|---------------|------------------|-------------------------------------|--------|--------|--------|--------|--------|--------|--------|
| Model | Compressor | +40°F | +35°F | +30°F | +25°F | +20°F | +15°F | +10°F | +0°F |
| LC*0005M^ACZ | ZB06KAE | 9,350 | 8,540 | 7,770 | 7,020 | 6,320 | 5,660 | 5,040 | 3,970 |
| LC*0008M^ACZ | ZB07KAE | 10,800 | 9,930 | 9,110 | 8,300 | 7,530 | 6,790 | 6,090 | 4,800 |
| LC*0009M^ACZ | ZB08KAE | 12,190 | 11,310 | 10,440 | 9,570 | 8,730 | 7,910 | 7,110 | 5,590 |
| LC*0010M^A‡Z | ZS09KAE / MPA010 | 12,970 | 11,790 | 10,700 | 9,700 | 8,840 | 8,090 | 7,420 | 6,310 |
| LC*0015M^A‡Z | ZS13KAE / MPA013 | 18,930 | 17,100 | 15,400 | 13,890 | 12,560 | 11,390 | 10,360 | 8,670 |
| LC*0020M^A‡Z | ZS15KAE / MPA015 | 22,170 | 20,040 | 18,110 | 16,410 | 14,870 | 13,530 | 12,360 | 10,440 |
| LC*0025M^A‡Z | ZS19KAE / MPA019 | 24,360 | 22,060 | 19,980 | 18,110 | 16,490 | 15,050 | 13,770 | 11,720 |
| LC*0030M^A‡Z | ZS21KAE / MBA021 | 36,100 | 33,080 | 30,140 | 27,410 | 24,850 | 22,490 | 20,300 | 16,460 |
| LC*0035M^A‡Z | ZS26KAE / MBA026 | 43,700 | 39,780 | 36,030 | 32,610 | 29,340 | 26,400 | 23,740 | 19,390 |
| LC*0045M^A‡Z | ZS29KAE / MBA029 | 44,320 | 40,680 | 37,160 | 33,920 | 30,880 | 27,990 | 25,320 | 20,620 |
| LC*0050M^A‡Z | ZS33KAE / MBA033 | 48,410 | 44,500 | 40,720 | 37,130 | 33,700 | 30,520 | 27,430 | 21,860 |
| LC*0055M^A‡Z | ZS38K4E / MRA038 | 53,950 | 49,980 | 46,120 | 42,200 | 38,380 | 34,720 | 31,190 | 24,760 |
| LC*0060M^A‡Z | ZS45K4E / MRA045 | 61,970 | 57,480 | 53,020 | 48,620 | 44,410 | 40,240 | 36,250 | 28,970 |

Notes:

* H = Outdoor, N = Indoor

^ B = 208-230/1/60, C = 208-230/3/60, D = 460/3/60

‡ C = Copeland, L = LG

PERFORMANCE DATA – R-448A/R-449A

Medium Temperature Models - Scroll Compressors (Cont.)

Please consult AWEF table on pages 27-28 to confirm DOE compliance per model

| R-448A/R-449A | | Capacity BTUH @ 100°F Ambient by SST | | | | | | | |
|---------------|------------------|--------------------------------------|--------|--------|--------|--------|--------|--------|--------|
| Model | Compressor | +40°F | +35°F | +30°F | +25°F | +20°F | +15°F | +10°F | +0°F |
| LC*0005M^ACZ | ZB06KAE | 9,020 | 8,240 | 7,500 | 6,780 | 6,100 | 5,470 | 4,880 | 3,860 |
| LC*0008M^ACZ | ZB07KAE | 10,440 | 9,600 | 8,800 | 8,020 | 7,270 | 6,550 | 5,880 | 4,640 |
| LC*0009M^ACZ | ZB08KAE | 11,790 | 10,940 | 10,100 | 9,260 | 8,450 | 7,650 | 6,870 | 5,400 |
| LC*0010M^A‡Z | ZS09KAE / MPA010 | 12,440 | 11,330 | 10,290 | 9,350 | 8,550 | 7,860 | 7,240 | 6,300 |
| LC*0015M^A‡Z | ZS13KAE / MPA013 | 18,250 | 16,470 | 14,860 | 13,430 | 12,170 | 11,080 | 10,140 | 8,640 |
| LC*0020M^A‡Z | ZS15KAE / MPA015 | 21,320 | 19,290 | 17,450 | 15,850 | 14,400 | 13,160 | 12,090 | 10,410 |
| LC*0025M^A‡Z | ZS19KAE / MPA019 | 23,390 | 21,200 | 19,230 | 17,460 | 15,950 | 14,630 | 13,460 | 11,680 |
| LC*0030M^A‡Z | ZS21KAE / MBA021 | 34,940 | 32,020 | 29,190 | 26,560 | 24,110 | 21,850 | 19,750 | 16,100 |
| LC*0035M^A‡Z | ZS26KAE / MBA026 | 42,110 | 38,310 | 34,710 | 31,370 | 28,280 | 25,480 | 22,970 | 18,940 |
| LC*0045M^A‡Z | ZS29KAE / MBA029 | 42,840 | 39,360 | 35,990 | 32,890 | 29,970 | 27,200 | 24,660 | 20,190 |
| LC*0050M^A‡Z | ZS33KAE / MBA033 | 46,740 | 42,940 | 39,290 | 35,790 | 32,480 | 29,370 | 26,340 | 20,880 |
| LC*0055M^A‡Z | ZS38K4E / MRA038 | 51,980 | 48,130 | 44,370 | 40,570 | 36,870 | 33,320 | 29,920 | 23,750 |
| LC*0060M^A‡Z | ZS45K4E / MRA045 | — | 55,380 | 51,060 | 46,930 | 42,720 | 38,700 | 34,860 | 27,870 |

| R-448A/R-449A | | Capacity BTUH @ 110°F Ambient by SST | | | | | | | |
|---------------|------------------|--------------------------------------|---------------------|--------|---------------------|--------|--------|--------|--------|
| Model | Compressor | +40°F | +35°F | +30°F | +25°F | +20°F | +15°F | +10°F | +0°F |
| LC*0005M^ACZ | ZB06KAE | 8,320 | 7,620 | 6,940 | 6,290 | 5,670 | 5,090 | 4,550 | 3,620 |
| LC*0008M^ACZ | ZB07KAE | 9,710 | 8,920 | 8,180 | 7,430 | 6,730 | 6,070 | 5,450 | 4,330 |
| LC*0009M^ACZ | ZB08KAE | 10,970 | 10,190 | 9,410 | 8,630 | 7,880 | 7,130 | 6,400 | 5,010 |
| LC*0010M^A‡Z | ZS09KAE / MPA010 | 11,310 | 10,330 | 9,410 | 8,590 | 7,930 | 7,350 | 6,880 | 6,240 |
| LC*0015M^A‡Z | ZS13KAE / MPA013 | 16,790 | 15,150 | 13,700 | 12,440 | 11,350 | 10,430 | 9,670 | 8,580 |
| LC*0020M^A‡Z | ZS15KAE / MPA015 | 19,500 | 17,620 | 16,040 | 14,600 | 13,370 | 12,340 | 11,500 | 10,330 |
| LC*0025M^A‡Z | ZS19KAE / MPA019 | 21,320 | 19,350 | 17,600 | 16,060 | 14,780 | 13,670 | 12,770 | 11,560 |
| LC*0030M^A‡Z | ZS21KAE / MBA021 | 32,600 | 29,870 | 27,310 | 24,910 | 22,680 | 20,640 | 18,750 | 15,510 |
| LC*0035M^A‡Z | ZS26KAE / MBA026 | 38,590 | 34,980 | 31,820 | 28,670 | 25,870 | 23,370 | 21,180 | 17,820 |
| LC*0045M^A‡Z | ZS29KAE / MBA029 | 39,920 | 36,740 | 33,690 | 30,870 | 28,220 | 25,730 | 23,450 | 19,510 |
| LC*0050M^A‡Z | ZS33KAE / MBA033 | 43,230 | 39,680 | 36,250 | 32,900 | 29,830 | 26,820 | 23,970 | 18,720 |
| LC*0055M^A‡Z | ZS38K4E / MRA038 | — | 45,420 ^g | 40,880 | 37,340 | 33,920 | 30,610 | 27,550 | 22,000 |
| LC*0060M^A‡Z | ZS45K4E / MRA045 | — | — | — | 44,290 ^g | 39,520 | 35,830 | 32,340 | — |

Notes:

* H = Outdoor, N = Indoor

^ B = 208-230/1/60, C = 208-230/3/60, D = 460/3/60

‡ C = Copeland, L = LG

g. Must use round tube plate fin coil

20°F Max Superheat

PERFORMANCE DATA – R-407A

Medium Temperature Models - Scroll Compressors

Please consult AWEF table on pages 27-28 to confirm DOE compliance per model

| R-407A | | Capacity BTUH @ 90°F Ambient by SST | | | | | | | |
|--------------|------------------|-------------------------------------|--------|--------|--------|--------|--------|--------|--------|
| Model | Compressor | +40°F | +35°F | +30°F | +25°F | +20°F | +15°F | +10°F | +0°F |
| LC*0005M^ACZ | ZB06KAE | 10,150 | 9,230 | 8,340 | 7,510 | 6,740 | 6,040 | 5,420 | 4,430 |
| LC*0008M^ACZ | ZB07KAE | 11,520 | 10,680 | 9,850 | 8,970 | 8,080 | 7,230 | 6,430 | 5,050 |
| LC*0009M^ACZ | ZB08KAE | 12,540 | 11,940 | 11,210 | 10,340 | 9,430 | 8,490 | 7,520 | 5,790 |
| LC*0010M^A‡Z | ZS09KAE / MPA010 | 14,550 | 13,360 | 12,240 | 11,200 | 10,230 | 9,360 | 8,550 | 7,050 |
| LC*0015M^A‡Z | ZS13KAE / MPA013 | 21,110 | 19,300 | 17,610 | 16,050 | 14,610 | 13,300 | 12,080 | 9,900 |
| LC*0020M^A‡Z | ZS15KAE / MPA015 | 24,710 | 22,630 | 20,680 | 18,910 | 17,250 | 15,700 | 14,290 | 11,750 |
| LC*0025M^A‡Z | ZS19KAE / MPA019 | 27,230 | 24,970 | 22,870 | 20,920 | 19,090 | 17,450 | 15,890 | 13,090 |
| LC*0030M^A‡Z | ZS21KAE / MBA021 | 38,360 | 35,160 | 32,010 | 29,090 | 26,340 | 23,770 | 21,370 | 17,080 |
| LC*0035M^A‡Z | ZS26KAE / MBA026 | 42,110 | 38,470 | 35,120 | 31,890 | 28,900 | 26,130 | 23,550 | 18,940 |
| LC*0045M^A‡Z | ZS29KAE / MBA029 | 46,300 | 42,460 | 38,760 | 35,370 | 32,110 | 29,070 | 26,200 | 20,980 |
| LC*0050M^A‡Z | ZS33KAE / MBA033 | 51,350 | 47,200 | 43,230 | 39,460 | 35,870 | 32,550 | 29,350 | 23,530 |
| LC*0055M^A‡Z | ZS38K4E / MRA038 | 56,200 | 52,290 | 48,280 | 44,370 | 40,570 | 36,920 | 33,460 | 26,920 |
| LC*0060M^A‡Z | ZS45K4E / MRA045 | 65,340 | 60,610 | 56,130 | 51,600 | 47,260 | 43,130 | 39,200 | 31,980 |

| R-407A | | Capacity BTUH @ 95°F Ambient by SST | | | | | | | |
|--------------|------------------|-------------------------------------|--------|--------|--------|--------|--------|--------|--------|
| Model | Compressor | +40°F | +35°F | +30°F | +25°F | +20°F | +15°F | +10°F | +0°F |
| LC*0005M^ACZ | ZB06KAE | 9,810 | 8,900 | 8,050 | 7,250 | 6,500 | 5,830 | 5,230 | 4,270 |
| LC*0008M^ACZ | ZB07KAE | 11,130 | 10,320 | 9,500 | 8,670 | 7,810 | 6,980 | 6,200 | 4,870 |
| LC*0009M^ACZ | ZB08KAE | 12,110 | 11,540 | 10,830 | 10,000 | 9,110 | 8,190 | 7,260 | 5,590 |
| LC*0010M^A‡Z | ZS09KAE / MPA010 | 14,010 | 12,870 | 11,790 | 10,800 | 9,860 | 9,030 | 8,230 | 6,800 |
| LC*0015M^A‡Z | ZS13KAE / MPA013 | 20,350 | 18,640 | 17,000 | 15,500 | 14,110 | 12,840 | 11,670 | 9,560 |
| LC*0020M^A‡Z | ZS15KAE / MPA015 | 23,830 | 21,830 | 19,920 | 18,210 | 16,650 | 15,160 | 13,790 | 11,340 |
| LC*0025M^A‡Z | ZS19KAE / MPA019 | 26,230 | 24,070 | 22,050 | 20,160 | 18,410 | 16,830 | 15,330 | 12,630 |
| LC*0030M^A‡Z | ZS21KAE / MBA021 | 37,020 | 33,900 | 30,930 | 28,110 | 25,460 | 22,980 | 20,650 | 16,450 |
| LC*0035M^A‡Z | ZS26KAE / MBA026 | 40,660 | 37,170 | 33,940 | 30,820 | 27,940 | 25,260 | 22,770 | 18,310 |
| LC*0045M^A‡Z | ZS29KAE / MBA029 | 44,660 | 40,990 | 37,460 | 34,200 | 31,060 | 28,120 | 25,350 | 20,250 |
| LC*0050M^A‡Z | ZS33KAE / MBA033 | 49,510 | 45,550 | 41,750 | 38,130 | 34,690 | 31,480 | 28,380 | 22,710 |
| LC*0055M^A‡Z | ZS38K4E / MRA038 | 54,320 | 50,530 | 46,660 | 42,870 | 39,190 | 35,590 | 32,250 | 25,960 |
| LC*0060M^A‡Z | ZS45K4E / MRA045 | 63,170 | 58,590 | 54,250 | 49,860 | 45,650 | 41,650 | 37,830 | 30,810 |

Notes:

* H = Outdoor, N = Indoor

^ B = 208-230/1/60, C = 208-230/3/60, D = 460/3/60

‡ C = Copeland, L = LG

PERFORMANCE DATA – R-407A

Medium Temperature Models - Scroll Compressors (Cont.)

Please consult AWEF table on pages 27-28 to confirm DOE compliance per model

| R-407A | | Capacity BTUH @ 100°F Ambient by SST | | | | | | | |
|--------------|------------------|--------------------------------------|--------|--------|--------|--------|--------|--------|--------|
| Model | Compressor | +40°F | +35°F | +30°F | +25°F | +20°F | +15°F | +10°F | +0°F |
| LC*0005M^ACZ | ZB06KAE | 9,450 | 8,570 | 7,750 | 6,980 | 6,270 | 5,620 | 5,040 | 4,110 |
| LC*0008M^ACZ | ZB07KAE | 10,730 | 9,960 | 9,170 | 8,350 | 7,530 | 6,730 | 5,980 | 4,690 |
| LC*0009M^ACZ | ZB08KAE | 11,680 | 11,130 | 10,450 | 9,650 | 8,810 | 7,910 | 7,010 | 5,390 |
| LC*0010M^A‡Z | ZS09KAE / MPA010 | 13,470 | 12,370 | 11,340 | 10,390 | 9,490 | 8,690 | 7,930 | 6,550 |
| LC*0015M^A‡Z | ZS13KAE / MPA013 | 19,620 | 17,970 | 16,390 | 14,940 | 13,600 | 12,380 | 11,250 | 9,220 |
| LC*0020M^A‡Z | ZS15KAE / MPA015 | 22,940 | 21,020 | 19,190 | 17,560 | 16,010 | 14,600 | 13,290 | 10,930 |
| LC*0025M^A‡Z | ZS19KAE / MPA019 | 25,230 | 23,150 | 21,210 | 19,410 | 17,730 | 16,210 | 14,760 | 12,170 |
| LC*0030M^A‡Z | ZS21KAE / MBA021 | 35,680 | 32,680 | 29,830 | 27,130 | 24,580 | 22,180 | 19,930 | 15,830 |
| LC*0035M^A‡Z | ZS26KAE / MBA026 | 39,180 | 35,840 | 32,730 | 29,730 | 26,950 | 24,370 | 21,960 | 17,660 |
| LC*0045M^A‡Z | ZS29KAE / MBA029 | 43,030 | 39,530 | 36,160 | 33,030 | 30,010 | 27,180 | 24,500 | 19,540 |
| LC*0050M^A‡Z | ZS33KAE / MBA033 | 47,700 | 43,920 | 40,290 | 36,770 | 33,520 | 30,430 | 27,430 | 21,920 |
| LC*0055M^A‡Z | ZS38K4E / MRA038 | 52,380 | 48,730 | 44,990 | 41,330 | 37,770 | 34,310 | 31,020 | 25,000 |
| LC*0060M^A‡Z | ZS45K4E / MRA045 | 60,950 | 56,530 | 52,340 | 48,090 | 44,020 | 40,140 | 36,440 | 29,630 |

| R-407A | | Capacity BTUH @ 110°F Ambient by SST | | | | | | | |
|--------------|------------------|--------------------------------------|--------------------|--------|--------------------|--------|--------|--------|--------|
| Model | Compressor | +40°F | +35°F | +30°F | +25°F | +20°F | +15°F | +10°F | +0°F |
| LC*0005M^ACZ | ZB06KAE | 8,690 | 7,900 | 7,150 | 6,440 | 5,780 | 5,180 | 4,650 | 3,790 |
| LC*0008M^ACZ | ZB07KAE | 9,920 | 9,210 | 8,480 | 7,720 | 6,960 | 6,220 | 5,520 | 4,320 |
| LC*0009M^ACZ | ZB08KAE | 10,780 | 10,290 | 9,660 | 8,940 | 8,160 | 7,330 | 6,500 | 4,990 |
| LC*0010M^A‡Z | ZS09KAE / MPA010 | 12,370 | 11,370 | 10,430 | 9,560 | 8,740 | 8,010 | 7,310 | 6,050 |
| LC*0015M^A‡Z | ZS13KAE / MPA013 | 18,120 | 16,600 | 15,130 | 13,800 | 12,570 | 11,440 | 10,400 | 8,540 |
| LC*0020M^A‡Z | ZS15KAE / MPA015 | 21,130 | 19,370 | 17,700 | 16,200 | 14,780 | 13,480 | 12,280 | 10,110 |
| LC*0025M^A‡Z | ZS19KAE / MPA019 | 23,190 | 21,300 | 19,520 | 17,840 | 16,350 | 14,950 | 13,610 | 11,240 |
| LC*0030M^A‡Z | ZS21KAE / MBA021 | 33,070 | 30,320 | 27,720 | 25,250 | 22,900 | 20,690 | 18,590 | 14,730 |
| LC*0035M^A‡Z | ZS26KAE / MBA026 | 36,100 | 33,120 | 30,200 | 27,470 | 24,910 | 22,520 | 20,300 | 16,300 |
| LC*0045M^A‡Z | ZS29KAE / MBA029 | 39,840 | 36,620 | 33,650 | 30,790 | 28,050 | 25,420 | 22,930 | 18,280 |
| LC*0050M^A‡Z | ZS33KAE / MBA033 | 44,170 | 40,780 | 37,500 | 34,330 | 31,370 | 28,490 | 25,730 | 20,550 |
| LC*0055M^A‡Z | ZS38K4E / MRA038 | — | 45600 ^g | 41,540 | 38,160 | 34,870 | 31,680 | 28,680 | 23,070 |
| LC*0060M^A‡Z | ZS45K4E / MRA045 | — | — | — | 45040 ^g | 40,670 | 37,070 | 33,630 | — |

Notes:

- * H = Outdoor, N = Indoor
- ^ B = 208-230/1/60, C = 208-230/3/60, D = 460/3/60
- ‡ C = Copeland, L = LG
- g. Must use round tube plate fin coil
- 20°F Max Superheat

PERFORMANCE DATA – R-407C

Medium Temperature Models - Scroll Compressors

Please consult AWEF table on pages 27-28 to confirm DOE compliance per model

| R-407C | | Capacity BTUH @ 90°F Ambient by SST | | | | | | | |
|--------------|------------------|-------------------------------------|--------|--------|--------|--------|--------|--------|--------|
| Model | Compressor | +40°F | +35°F | +30°F | +25°F | +20°F | +15°F | +10°F | +0°F |
| LC*0005M^ACZ | ZB06KAE | 9,050 | 8,160 | 7,330 | 6,550 | 5,840 | 5,190 | 4,610 | 3,640 |
| LC*0008M^ACZ | ZB07KAE | 10,540 | 9,640 | 8,740 | 7,890 | 7,080 | 6,320 | 5,610 | 4,370 |
| LC*0009M^ACZ | ZB08KAE | 12,060 | 11,070 | 10,100 | 9,180 | 8,280 | 7,430 | 6,620 | 5,160 |
| LC*0010M^A†Z | ZS09KAE / MPA010 | 13,360 | 12,280 | 11,230 | 10,210 | 9,240 | 8,320 | 7,400 | 5,630 |
| LC*0015M^A†Z | ZS13KAE / MPA013 | 19,040 | 17,460 | 15,900 | 14,420 | 13,010 | 11,650 | 10,330 | 7,780 |
| LC*0020M^A†Z | ZS15KAE / MPA015 | 22,470 | 20,610 | 18,810 | 17,100 | 15,420 | 13,830 | 12,290 | 9,320 |
| LC*0025M^A†Z | ZS19KAE / MPA019 | 24,930 | 22,890 | 20,910 | 19,000 | 17,190 | 15,440 | 13,760 | 10,580 |
| LC*0030M^A†Z | ZS21KAE / MBA021 | 35,120 | 32,080 | 29,200 | 26,450 | 23,820 | 21,330 | 18,950 | 14,510 |
| LC*0035M^A†Z | ZS26KAE / MBA026 | 38,430 | 35,230 | 32,090 | 29,110 | 26,260 | 23,530 | 20,890 | 15,790 |
| LC*0045M^A†Z | ZS29KAE / MBA029 | 42,540 | 38,950 | 35,570 | 32,320 | 29,140 | 26,130 | 23,240 | 17,760 |
| LC*0050M^A†Z | ZS33KAE / MBA033 | 46,520 | 42,680 | 38,930 | 35,410 | 32,010 | 28,700 | 25,520 | 19,430 |
| LC*0055M^A†Z | ZS38K4E / MRA038 | 57,160 | 52,990 | 48,750 | 44,620 | 40,630 | 36,830 | 33,190 | 26,540 |
| LC*0060M^A†Z | ZS45K4E / MRA045 | 66,930 | 61,820 | 56,840 | 52,150 | 47,540 | 43,190 | 39,070 | 31,570 |

| R-407C | | Capacity BTUH @ 95°F Ambient by SST | | | | | | | |
|--------------|------------------|-------------------------------------|--------|--------|--------|--------|--------|--------|--------|
| Model | Compressor | +40°F | +35°F | +30°F | +25°F | +20°F | +15°F | +10°F | +0°F |
| LC*0005M^ACZ | ZB06KAE | 8,770 | 7,920 | 7,110 | 6,360 | 5,670 | 5,050 | 4,490 | 3,550 |
| LC*0008M^ACZ | ZB07KAE | 10,210 | 9,340 | 8,480 | 7,650 | 6,870 | 6,130 | 5,450 | 4,260 |
| LC*0009M^ACZ | ZB08KAE | 11,670 | 10,720 | 9,790 | 8,900 | 8,030 | 7,200 | 6,420 | 5,010 |
| LC*0010M^A†Z | ZS09KAE / MPA010 | 12,990 | 11,950 | 10,930 | 9,940 | 9,000 | 8,090 | 7,200 | 5,460 |
| LC*0015M^A†Z | ZS13KAE / MPA013 | 18,530 | 16,970 | 15,480 | 14,050 | 12,670 | 11,350 | 10,060 | 7,560 |
| LC*0020M^A†Z | ZS15KAE / MPA015 | 21,850 | 20,030 | 18,320 | 16,650 | 15,020 | 13,470 | 11,960 | 9,060 |
| LC*0025M^A†Z | ZS19KAE / MPA019 | 24,240 | 22,270 | 20,350 | 18,500 | 16,740 | 15,040 | 13,390 | 10,280 |
| LC*0030M^A†Z | ZS21KAE / MBA021 | 34,140 | 31,240 | 28,440 | 25,770 | 23,220 | 20,790 | 18,460 | 14,090 |
| LC*0035M^A†Z | ZS26KAE / MBA026 | 37,410 | 34,300 | 31,260 | 28,370 | 25,590 | 22,930 | 20,350 | 15,340 |
| LC*0045M^A†Z | ZS29KAE / MBA029 | 41,380 | 37,920 | 34,650 | 31,450 | 28,390 | 25,460 | 22,630 | 17,270 |
| LC*0050M^A†Z | ZS33KAE / MBA033 | 45,260 | 41,550 | 37,910 | 34,490 | 31,170 | 27,930 | 24,810 | 18,810 |
| LC*0055M^A†Z | ZS38K4E / MRA038 | 55,540 | 51,480 | 47,340 | 43,310 | 39,420 | 35,660 | 32,170 | 25,700 |
| LC*0060M^A†Z | ZS45K4E / MRA045 | 65,100 | 60,110 | 55,250 | 50,650 | 46,150 | 41,900 | 37,880 | 30,600 |

Notes:

* H = Outdoor, N = Indoor

^ B = 208-230/1/60, C = 208-230/3/60, D = 460/3/60

† C = Copeland, L = LG

PERFORMANCE DATA – R-407C

Medium Temperature Models - Scroll Compressors (Cont.)

Please consult AWEF table on pages 27-28 to confirm DOE compliance per model

| R-407C | | Capacity BTUH @ 100°F Ambient by SST | | | | | | | |
|--------------|------------------|--------------------------------------|--------|--------|--------|--------|--------|--------|--------|
| Model | Compressor | +40°F | +35°F | +30°F | +25°F | +20°F | +15°F | +10°F | +0°F |
| LC*0005M^ACZ | ZB06KAE | 8,490 | 7,660 | 6,890 | 6,170 | 5,510 | 4,900 | 4,360 | 3,460 |
| LC*0008M^ACZ | ZB07KAE | 9,880 | 9,040 | 8,200 | 7,410 | 6,650 | 5,950 | 5,290 | 4,140 |
| LC*0009M^ACZ | ZB08KAE | 11,280 | 10,370 | 9,470 | 8,610 | 7,770 | 6,970 | 6,220 | 4,870 |
| LC*0010M^A‡Z | ZS09KAE / MPA010 | 12,630 | 11,610 | 10,630 | 9,670 | 8,760 | 7,860 | 6,990 | 5,290 |
| LC*0015M^A‡Z | ZS13KAE / MPA013 | 18,020 | 16,510 | 15,060 | 13,670 | 12,330 | 11,040 | 9,780 | 7,330 |
| LC*0020M^A‡Z | ZS15KAE / MPA015 | 21,240 | 19,480 | 17,800 | 16,200 | 14,620 | 13,100 | 11,630 | 8,780 |
| LC*0025M^A‡Z | ZS19KAE / MPA019 | 23,560 | 21,650 | 19,790 | 17,990 | 16,290 | 14,620 | 13,010 | 9,960 |
| LC*0030M^A‡Z | ZS21KAE / MBA021 | 33,210 | 30,390 | 27,680 | 25,090 | 22,600 | 20,230 | 17,950 | 13,650 |
| LC*0035M^A‡Z | ZS26KAE / MBA026 | 36,370 | 33,380 | 30,420 | 27,610 | 24,910 | 22,320 | 19,790 | 14,880 |
| LC*0045M^A‡Z | ZS29KAE / MBA029 | 40,240 | 36,900 | 33,720 | 30,610 | 27,640 | 24,780 | 22,020 | 16,760 |
| LC*0050M^A‡Z | ZS33KAE / MBA033 | 44,000 | 40,400 | 36,880 | 33,540 | 30,310 | 27,130 | 24,070 | 18,140 |
| LC*0055M^A‡Z | ZS38K4E / MRA038 | 53,900 | 49,940 | 45,910 | 41,980 | 38,200 | 34,540 | 31,140 | 24,850 |
| LC*0060M^A‡Z | ZS45K4E / MRA045 | 63,250 | 58,380 | 53,640 | 49,140 | 44,750 | 40,600 | 36,670 | 29,600 |

| R-407C | | Capacity BTUH @ 110°F Ambient by SST | | | | | | | |
|--------------|------------------|--------------------------------------|--------------------|--------|--------------------|--------|--------|--------|--------|
| Model | Compressor | +40°F | +35°F | +30°F | +25°F | +20°F | +15°F | +10°F | +0°F |
| LC*0005M^ACZ | ZB06KAE | 7,900 | 7,150 | 6,430 | 5,770 | 5,160 | 4,610 | 4,110 | 3,270 |
| LC*0008M^ACZ | ZB07KAE | 9,210 | 8,420 | 7,660 | 6,920 | 6,220 | 5,570 | 4,960 | 3,910 |
| LC*0009M^ACZ | ZB08KAE | 10,490 | 9,630 | 8,810 | 8,030 | 7,250 | 6,520 | 5,820 | 4,580 |
| LC*0010M^A‡Z | ZS09KAE / MPA010 | 11,890 | 10,940 | 10,020 | 9,110 | 8,250 | 7,390 | 6,560 | 4,910 |
| LC*0015M^A‡Z | ZS13KAE / MPA013 | 17,000 | 15,580 | 14,220 | 12,910 | 11,640 | 10,410 | 9,200 | 6,830 |
| LC*0020M^A‡Z | ZS15KAE / MPA015 | 20,020 | 18,380 | 16,820 | 15,280 | 13,790 | 12,350 | 10,940 | 8,190 |
| LC*0025M^A‡Z | ZS19KAE / MPA019 | 22,180 | 20,400 | 18,660 | 16,970 | 15,350 | 13,760 | 12,230 | 9,280 |
| LC*0030M^A‡Z | ZS21KAE / MBA021 | 31,340 | 28,710 | 26,150 | 23,700 | 21,330 | 19,070 | 16,870 | 12,700 |
| LC*0035M^A‡Z | ZS26KAE / MBA026 | 34,340 | 31,480 | 28,730 | 26,080 | 23,510 | 21,040 | 18,610 | 13,860 |
| LC*0045M^A‡Z | ZS29KAE / MBA029 | 37,910 | 34,900 | 31,870 | 28,930 | 26,120 | 23,400 | 20,760 | 15,680 |
| LC*0050M^A‡Z | ZS33KAE / MBA033 | 41,460 | 38,090 | 34,770 | 31,610 | 28,480 | 25,460 | 22,490 | 16,710 |
| LC*0055M^A‡Z | ZS38K4E / MRA038 | — | 47370 ^g | 42,970 | 39,270 | 35,700 | 32,270 | 29,060 | 23,160 |
| LC*0060M^A‡Z | ZS45K4E / MRA045 | — | — | — | 46710 ^g | 41,900 | 37,960 | 34,250 | — |

Notes:

- * H = Outdoor, N = Indoor
 - ^ B = 208-230/1/60, C = 208-230/3/60, D = 460/3/60
 - ‡ C = Copeland, L = LG
 - g. Must use round tube plate fin coil
- 20°F Max Superheat

PERFORMANCE DATA – R-404A/R-507A

Low Temperature Models - Scroll Compressors

Please consult AWEF table on page 29 to confirm DOE compliance per model

| R-404A/R-507A | | Capacity BTUH @ 90°F Ambient by SST | | | | | | | | |
|---------------|------------|-------------------------------------|--------|--------|--------|--------|--------|--------|--------|--------|
| Model | Compressor | 0°F | -5°F | -10°F | -15°F | -20°F | -25°F | -30°F | -35°F | -40°F |
| LC*0006L^ACZ | ZF03KAE | 5,190 | 4,620 | 4,100 | 3,650 | 3,240 | 2,890 | 2,580 | 2,300 | 2,060 |
| LC*0008L^ACZ | ZF04KAE | 6,970 | 6,210 | 5,520 | 4,880 | 4,300 | 3,790 | 3,350 | 2,970 | 2,660 |
| LC*0010L^ACZ | ZF05KAE | 8,170 | 7,360 | 6,590 | 5,870 | 5,220 | 4,610 | 4,070 | 3,590 | 3,160 |
| LC*0022L^ACZ | ZF07KAE | 11,870 | 10,790 | 9,750 | 8,790 | 7,900 | 7,060 | 6,260 | 5,470 | 4,690 |
| LC*0025L^ACZ | ZF08K4E | 15,170 | 13,750 | 12,420 | 11,190 | 10,040 | 8,980 | 7,990 | 7,070 | 6,220 |
| LC*0030L^ACZ | ZF09K4E | 16,690 | 15,160 | 13,720 | 12,330 | 10,980 | 9,650 | 8,330 | 6,960 | 5,540 |
| LC*0035L^ACZ | ZF11K4E | 20,250 | 18,440 | 16,740 | 15,110 | 13,540 | 12,000 | 10,480 | 8,950 | 7,360 |
| LC*0045L^ACZ | ZF13K4E | 24,710 | 22,340 | 20,120 | 18,040 | 16,100 | 14,300 | 12,630 | 11,080 | 9,650 |
| LC*0055L^ACZ | ZF15K4E | 29,700 | 26,930 | 24,310 | 21,790 | 19,360 | 16,950 | 14,550 | 12,090 | 9,530 |
| LC*0060L^ACZ | ZF18K4E | 34,840 | 31,690 | 28,730 | 25,950 | 23,350 | 20,920 | 18,640 | 16,480 | 14,450 |

| R-404A/R-507A | | Capacity BTUH @ 95°F Ambient by SST | | | | | | | | |
|---------------|------------|-------------------------------------|--------|--------|--------|--------|--------|--------|--------|--------|
| Model | Compressor | 0°F | -5°F | -10°F | -15°F | -20°F | -25°F | -30°F | -35°F | -40°F |
| LC*0006L^ACZ | ZF03KAE | 4,970 | 4,420 | 3,930 | 3,500 | 3,110 | 2,780 | 2,480 | 2,230 | 2,000 |
| LC*0008L^ACZ | ZF04KAE | 6,680 | 5,950 | 5,280 | 4,670 | 4,120 | 3,630 | 3,210 | 2,850 | 2,560 |
| LC*0010L^ACZ | ZF05KAE | 7,830 | 7,050 | 6,310 | 5,630 | 5,000 | 4,420 | 3,900 | 3,440 | 3,030 |
| LC*0022L^ACZ | ZF07KAE | 11,330 | 10,300 | 9,310 | 8,400 | 7,550 | 6,750 | 5,990 | 5,240 | 4,490 |
| LC*0025L^ACZ | ZF08K4E | 14,590 | 13,230 | 11,970 | 10,780 | 9,690 | 8,660 | 7,710 | 6,820 | 6,000 |
| LC*0030L^ACZ | ZF09K4E | 16,030 | 14,570 | 13,200 | 11,890 | 10,620 | 9,370 | 8,130 | 6,860 | 5,540 |
| LC*0035L^ACZ | ZF11K4E | 19,420 | 17,710 | 16,090 | 14,550 | 13,070 | 11,630 | 10,210 | 8,790 | 7,320 |
| LC*0045L^ACZ | ZF13K4E | 23,730 | 21,450 | 19,320 | 17,320 | 15,470 | 13,750 | 12,160 | 10,690 | 9,330 |
| LC*0055L^ACZ | ZF15K4E | 28,500 | 25,860 | 23,370 | 21,000 | 18,690 | 16,420 | 14,170 | 11,870 | 9,490 |
| LC*0060L^ACZ | ZF18K4E | 33,470 | 30,460 | 27,650 | 25,000 | 22,520 | 20,190 | 18,010 | 15,940 | 13,990 |

Notes:

* H = Outdoor, N = Indoor

^ B = 208-230/1/60, C = 208-230/3/60, D = 460/3/60

PERFORMANCE DATA – R-404A/R-507A

Low Temperature Models - Scroll Compressors (Cont.)

Please consult AWEF table on page 29 to confirm DOE compliance per model

| R-404A/R-507A | | Capacity BTUH @ 100°F Ambient by SST | | | | | | | | |
|---------------|------------|--------------------------------------|--------|--------|--------|--------|--------|--------|--------|--------|
| Model | Compressor | 0°F | -5°F | -10°F | -15°F | -20°F | -25°F | -30°F | -35°F | -40°F |
| LC*0006L^ACZ | ZF03KAE | 4,750 | 4,230 | 3,760 | 3,350 | 2,990 | 2,670 | 2,390 | 2,150 | 1,930 |
| LC*0008L^ACZ | ZF04KAE | 6,380 | 5,680 | 5,040 | 4,460 | 3,930 | 3,470 | 3,070 | 2,730 | 2,460 |
| LC*0010L^ACZ | ZF05KAE | 7,490 | 6,740 | 6,030 | 5,380 | 4,780 | 4,220 | 3,730 | 3,290 | 2,900 |
| LC*0022L^ACZ | ZF07KAE | 10,780 | 9,810 | 8,860 | 8,000 | 7,200 | 6,440 | 5,710 | 5,000 | 4,290 |
| LC*0025L^ACZ | ZF08K4E | 14,000 | 12,700 | 11,490 | 10,360 | 9,310 | 8,330 | 7,420 | 6,560 | 5,760 |
| LC*0030L^ACZ | ZF09K4E | 15,360 | 13,980 | 12,680 | 11,430 | 10,240 | 9,070 | 7,910 | 6,730 | 5,510 |
| LC*0035L^ACZ | ZF11K4E | 18,580 | 16,950 | 15,420 | 13,960 | 12,570 | 11,220 | 9,910 | 8,580 | 7,230 |
| LC*0045L^ACZ | ZF13K4E | 22,720 | 20,540 | 18,500 | 16,590 | 14,820 | 13,190 | 11,680 | 10,300 | 9,020 |
| LC*0055L^ACZ | ZF15K4E | 27,270 | 24,760 | 22,390 | 20,160 | 17,980 | 15,850 | 13,740 | 11,600 | 9,380 |
| LC*0060L^ACZ | ZF18K4E | 32,080 | 29,220 | 26,550 | 24,030 | 21,670 | 19,450 | 17,370 | 15,400 | 13,520 |

| R-404A/R-507A | | Capacity BTUH @ 110°F Ambient by SST | | | | | | | | |
|---------------|------------|--------------------------------------|--------|--------|--------|--------|--------|--------|--------|--------|
| Model | Compressor | 0°F | -5°F | -10°F | -15°F | -20°F | -25°F | -30°F | -35°F | -40°F |
| LC*0006L^ACZ | ZF03KAE | 4,310 | 3,840 | 3,420 | 3,050 | 2,730 | 2,450 | 2,200 | 1,990 | 1,800 |
| LC*0008L^ACZ | ZF04KAE | 5,790 | 5,150 | 4,570 | 4,040 | 3,560 | 3,140 | 2,780 | 2,490 | 2,250 |
| LC*0010L^ACZ | ZF05KAE | 6,780 | 6,100 | 5,470 | 4,880 | 4,330 | 3,820 | 3,370 | 2,980 | 2,630 |
| LC*0022L^ACZ | ZF07KAE | 9,660 | 8,760 | 7,950 | 7,190 | 6,480 | 5,800 | 5,150 | 4,520 | 3,870 |
| LC*0025L^ACZ | ZF08K4E | 12,750 | 11,590 | 10,500 | 9,470 | 8,520 | 7,620 | 6,790 | 6,010 | 5,270 |
| LC*0030L^ACZ | ZF09K4E | 14,010 | 12,760 | 11,600 | 10,490 | 9,440 | 8,420 | 7,420 | 6,400 | 5,360 |
| LC*0035L^ACZ | ZF11K4E | 16,840 | 15,370 | 14,000 | 12,710 | 11,490 | 10,320 | 9,190 | 8,060 | 6,920 |
| LC*0045L^ACZ | ZF13K4E | 20,640 | 18,660 | 16,820 | 15,100 | 13,520 | 12,060 | 10,730 | 9,520 | 8,420 |
| LC*0055L^ACZ | ZF15K4E | 24,740 | 22,470 | 20,380 | 18,370 | 16,440 | 14,580 | 12,740 | 10,880 | 8,970 |
| LC*0060L^ACZ | ZF18K4E | 29,240 | 26,680 | 24,290 | 22,040 | 19,920 | 17,920 | 16,050 | 14,270 | 12,570 |

Notes:

* H = Outdoor, N = Indoor

^ B = 208-230/1/60, C = 208-230/3/60, D = 460/3/60

PERFORMANCE DATA – R-448A/R-449A

Low Temperature Models - Scroll Compressors

Please consult AWEF table on page 29 to confirm DOE compliance per model

| R-448A/R-449A | | Capacity BTUH @ 90°F Ambient by SST | | | | | | | | |
|---------------|------------|-------------------------------------|--------|--------|--------|--------|--------|--------|--------|--------|
| Model | Compressor | 0°F | -5°F | -10°F | -15°F | -20°F | -25°F | -30°F | -35°F | -40°F |
| LC*0006L^ACZ | ZF03KAE | 4,620 | 4,120 | 3,680 | 3,280 | 2,930 | 2,610 | 2,330 | 2,070 | 1,830 |
| LC*0008L^ACZ | ZF04KAE | 6,240 | 5,560 | 4,930 | 4,340 | 3,810 | 3,340 | 2,930 | 2,570 | 2,280 |
| LC*0010L^ACZ | ZF05KAE | 7,250 | 6,480 | 5,770 | 5,110 | 4,490 | 3,940 | 3,440 | 3,000 | 2,620 |
| LC*0022L^ACZ | ZF07KAE | 10,270 | 9,260 | 8,330 | 7,500 | 6,740 | 6,030 | 5,350 | 4,710 | 4,070 |
| LC*0025L^ACZ | ZF08K4E | 13,370 | 11,990 | 10,740 | 9,590 | 8,530 | 7,560 | 6,680 | 5,870 | 5,130 |
| LC*0030L^ACZ | ZF09K4E | 14,660 | 13,180 | 11,820 | 10,550 | 9,370 | 8,270 | 7,240 | 6,260 | 5,320 |
| LC*0035L^ACZ | ZF11K4E | 17,820 | 16,080 | 14,460 | 12,960 | 11,550 | 10,270 | 9,090 | 8,010 | 7,010 |
| LC*0045L^ACZ | ZF13K4E | 22,270 | 19,950 | 17,790 | 15,790 | 13,940 | 12,260 | 10,730 | 9,350 | 8,110 |
| LC*0055L^ACZ | ZF15K4E | 26,700 | 23,950 | 21,440 | 19,110 | 16,980 | 15,030 | 13,270 | 11,670 | 10,250 |
| LC*0060L^ACZ | ZF18K4E | 31,050 | 28,020 | 25,200 | 22,560 | 20,110 | 17,860 | 15,790 | 13,890 | 12,140 |

| R-448A/R-449A | | Capacity BTUH @ 95°F Ambient by SST | | | | | | | | |
|---------------|------------|-------------------------------------|--------|--------|--------|--------|--------|--------|--------|--------|
| Model | Compressor | 0°F | -5°F | -10°F | -15°F | -20°F | -25°F | -30°F | -35°F | -40°F |
| LC*0006L^ACZ | ZF03KAE | 4,460 | 3,980 | 3,560 | 3,180 | 2,840 | 2,540 | 2,260 | 2,010 | 1,780 |
| LC*0008L^ACZ | ZF04KAE | 6,030 | 5,370 | 4,760 | 4,200 | 3,690 | 3,240 | 2,840 | 2,500 | 2,220 |
| LC*0010L^ACZ | ZF05KAE | 7,000 | 6,260 | 5,580 | 4,940 | 4,350 | 3,810 | 3,330 | 2,910 | 2,550 |
| LC*0022L^ACZ | ZF07KAE | 9,880 | 8,920 | 8,040 | 7,240 | 6,510 | 5,830 | 5,190 | 4,570 | 3,950 |
| LC*0025L^ACZ | ZF08K4E | 12,990 | 11,660 | 10,440 | 9,320 | 8,290 | 7,350 | 6,500 | 5,710 | 4,980 |
| LC*0030L^ACZ | ZF09K4E | 14,250 | 12,810 | 11,500 | 10,270 | 9,120 | 8,060 | 7,060 | 6,110 | 5,210 |
| LC*0035L^ACZ | ZF11K4E | 17,290 | 15,610 | 14,040 | 12,580 | 11,240 | 9,990 | 8,850 | 7,800 | 6,840 |
| LC*0045L^ACZ | ZF13K4E | 21,470 | 19,220 | 17,140 | 15,210 | 13,440 | 11,840 | 10,390 | 9,100 | 7,950 |
| LC*0055L^ACZ | ZF15K4E | 25,730 | 23,090 | 20,680 | 18,450 | 16,400 | 14,540 | 12,870 | 11,360 | 10,010 |
| LC*0060L^ACZ | ZF18K4E | 29,930 | 27,030 | 24,330 | 21,800 | 19,470 | 17,320 | 15,360 | 13,560 | 11,920 |

Notes:

* H = Outdoor, N = Indoor

^ B = 208-230/1/60, C = 208-230/3/60, D = 460/3/60

PERFORMANCE DATA – R-448A/R-449A

Low Temperature Models - Scroll Compressors (Cont.)

Please consult AWEF table on page 29 to confirm DOE compliance per model

| R-448A/R-449A | | Capacity BTUH @ 100°F Ambient by SST | | | | | | | | |
|---------------|------------|--------------------------------------|--------|--------|--------|--------|--------|--------|--------|--------|
| Model | Compressor | 0°F | -5°F | -10°F | -15°F | -20°F | -25°F | -30°F | -35°F | -40°F |
| LC*0006L^ACZ | ZF03KAE | 4,310 | 3,850 | 3,450 | 3,080 | 2,760 | 2,460 | 2,200 | 1,950 | 1,720 |
| LC*0008L^ACZ | ZF04KAE | 5,820 | 5,180 | 4,600 | 4,060 | 3,570 | 3,130 | 2,750 | 2,430 | 2,160 |
| LC*0010L^ACZ | ZF05KAE | 6,750 | 6,040 | 5,380 | 4,760 | 4,200 | 3,680 | 3,220 | 2,820 | 2,470 |
| LC*0022L^ACZ | ZF07KAE | 9,500 | 8,580 | 7,740 | 6,980 | 6,290 | 5,630 | 5,020 | 4,430 | 3,830 |
| LC*0025L^ACZ | ZF08K4E | 12,600 | 11,320 | 10,140 | 9,050 | 8,050 | 7,140 | 6,310 | 5,540 | 4,830 |
| LC*0030L^ACZ | ZF09K4E | 13,830 | 12,440 | 11,170 | 9,980 | 8,870 | 7,840 | 6,880 | 5,970 | 5,090 |
| LC*0035L^ACZ | ZF11K4E | 16,740 | 15,120 | 13,610 | 12,200 | 10,900 | 9,700 | 8,610 | 7,590 | 6,660 |
| LC*0045L^ACZ | ZF13K4E | 20,640 | 18,470 | 16,470 | 14,630 | 12,940 | 11,420 | 10,060 | 8,860 | 7,810 |
| LC*0055L^ACZ | ZF15K4E | 24,730 | 22,200 | 19,890 | 17,760 | 15,810 | 14,040 | 12,460 | 11,030 | 9,760 |
| LC*0060L^ACZ | ZF18K4E | 28,790 | 26,020 | 23,440 | 21,040 | 18,820 | 16,790 | 14,940 | 13,240 | 11,710 |

| R-448A/R-449A | | Capacity BTUH @ 110°F Ambient by SST | | | | | | | | |
|---------------|------------|--------------------------------------|--------|--------|--------|--------|--------|--------|--------|--------|
| Model | Compressor | 0°F | -5°F | -10°F | -15°F | -20°F | -25°F | -30°F | -35°F | -40°F |
| LC*0006L^ACZ | ZF03KAE | 4,010 | 3,600 | 3,230 | 2,890 | 2,590 | 2,320 | 2,070 | 1,830 | 1,610 |
| LC*0008L^ACZ | ZF04KAE | 5,380 | 4,800 | 4,270 | 3,770 | 3,320 | 2,920 | 2,580 | 2,280 | 2,040 |
| LC*0010L^ACZ | ZF05KAE | 6,240 | 5,590 | 4,980 | 4,410 | 3,890 | 3,420 | 3,000 | 2,630 | 2,310 |
| LC*0022L^ACZ | ZF07KAE | 8,710 | 7,890 | 7,130 | 6,450 | 5,820 | 5,230 | 4,680 | 4,130 | 3,590 |
| LC*0025L^ACZ | ZF08K4E | 11,800 | 10,600 | 9,500 | 8,480 | 7,550 | 6,690 | 5,910 | 5,190 | 4,520 |
| LC*0030L^ACZ | ZF09K4E | 12,980 | 11,700 | 10,500 | 9,400 | 8,370 | 7,420 | 6,530 | 5,690 | 4,880 |
| LC*0035L^ACZ | ZF11K4E | 15,600 | 14,100 | 12,700 | 11,400 | 10,190 | 9,090 | 8,070 | 7,140 | 6,280 |
| LC*0045L^ACZ | ZF13K4E | 18,930 | 16,940 | 15,120 | 13,450 | 11,950 | 10,610 | 9,440 | 8,430 | 7,590 |
| LC*0055L^ACZ | ZF15K4E | 22,650 | 20,340 | 18,260 | 16,330 | 14,590 | 13,020 | 11,610 | 10,360 | 9,270 |
| LC*0060L^ACZ | ZF18K4E | 26,440 | 23,950 | 21,630 | 19,480 | 17,510 | 15,710 | 14,080 | 12,620 | 11,300 |

Notes:

* H = Outdoor, N = Indoor

^ B = 208-230/1/60, C = 208-230/3/60, D = 460/3/60

PERFORMANCE DATA – R-407A/R-407F

Low Temperature Models - Scroll Compressors

Please consult AWEF table on page 29 to confirm DOE compliance per model

| R-407A/R-407F | | Capacity BTUH @ 90°F Ambient by SST | | | | | | | | |
|---------------|------------|-------------------------------------|--------|--------|--------|--------|--------|--------|--------|--------|
| Model | Compressor | 0°F | -5°F | -10°F | -15°F | -20°F | -25°F | -30°F | -35°F | -40°F |
| LC*0006L^ACZ | ZF03KAE | 4,670 | 4,170 | 3,720 | 3,310 | 2,950 | 2,630 | 2,340 | 2,090 | 1,860 |
| LC*0008L^ACZ | ZF04KAE | 6,350 | 5,640 | 4,980 | 4,380 | 3,840 | 3,360 | 2,940 | 2,590 | 2,310 |
| LC*0010L^ACZ | ZF05KAE | 7,360 | 6,560 | 5,810 | 5,120 | 4,480 | 3,910 | 3,410 | 2,980 | 2,610 |
| LC*0022L^ACZ | ZF07KAE | 10,530 | 9,550 | 8,620 | 7,780 | 6,970 | 6,210 | 5,490 | 4,780 | 4,080 |
| LC*0025L^ACZ | ZF08K4E | 13,690 | 12,330 | 11,050 | 9,840 | 8,710 | 7,650 | 6,680 | 5,800 | 4,990 |
| LC*0030L^ACZ | ZF09K4E | 14,900 | 13,580 | 12,260 | 10,930 | 9,640 | 8,440 | 7,360 | 6,440 | 5,730 |
| LC*0035L^ACZ | ZF11K4E | 18,010 | 16,490 | 14,920 | 13,320 | 11,770 | 10,300 | 8,980 | 7,860 | 6,990 |
| LC*0045L^ACZ | ZF13K4E | 22,420 | 20,090 | 17,870 | 15,780 | 13,840 | 12,090 | 10,560 | 9,260 | 8,250 |
| LC*0055L^ACZ | ZF15K4E | 27,000 | 24,170 | 21,540 | 19,080 | 16,830 | 14,810 | 13,060 | 11,590 | 10,430 |
| LC*0060L^ACZ | ZF18K4E | 31,670 | 28,520 | 25,520 | 22,650 | 20,010 | 17,620 | 15,530 | 13,750 | 12,330 |

| R-407A/R-407F | | Capacity BTUH @ 95°F Ambient by SST | | | | | | | | |
|---------------|------------|-------------------------------------|--------|--------|--------|--------|--------|--------|--------|--------|
| Model | Compressor | 0°F | -5°F | -10°F | -15°F | -20°F | -25°F | -30°F | -35°F | -40°F |
| LC*0006L^ACZ | ZF03KAE | 4,490 | 4,020 | 3,590 | 3,200 | 2,860 | 2,550 | 2,270 | 2,020 | 1,790 |
| LC*0008L^ACZ | ZF04KAE | 6,110 | 5,430 | 4,800 | 4,220 | 3,700 | 3,240 | 2,840 | 2,510 | 2,240 |
| LC*0010L^ACZ | ZF05KAE | 7,080 | 6,310 | 5,590 | 4,920 | 4,320 | 3,770 | 3,290 | 2,880 | 2,530 |
| LC*0022L^ACZ | ZF07KAE | 10,070 | 9,140 | 8,260 | 7,460 | 6,690 | 5,970 | 5,280 | 4,600 | 3,930 |
| LC*0025L^ACZ | ZF08K4E | 13,230 | 11,930 | 10,690 | 9,530 | 8,430 | 7,410 | 6,480 | 5,620 | 4,840 |
| LC*0030L^ACZ | ZF09K4E | 14,410 | 13,160 | 11,880 | 10,600 | 9,350 | 8,180 | 7,130 | 6,230 | 5,520 |
| LC*0035L^ACZ | ZF11K4E | 17,380 | 15,930 | 14,420 | 12,900 | 11,400 | 9,980 | 8,700 | 7,610 | 6,760 |
| LC*0045L^ACZ | ZF13K4E | 21,720 | 19,430 | 17,260 | 15,220 | 13,340 | 11,650 | 10,190 | 8,970 | 8,030 |
| LC*0055L^ACZ | ZF15K4E | 26,130 | 23,370 | 20,810 | 18,420 | 16,230 | 14,280 | 12,600 | 11,190 | 10,090 |
| LC*0060L^ACZ | ZF18K4E | 30,680 | 27,610 | 24,690 | 21,930 | 19,350 | 17,040 | 15,020 | 13,310 | 11,960 |

Notes:

* H = Outdoor, N = Indoor

^ B = 208-230/1/60, C = 208-230/3/60, D = 460/3/60

PERFORMANCE DATA – R-407A/R-407F

Low Temperature Models - Scroll Compressors (Cont.)

Please consult AWEF table on page 29 to confirm DOE compliance per model

| R-407A/R-407F | | Capacity BTUH @ 100°F Ambient by SST | | | | | | | | |
|---------------|------------|--------------------------------------|--------|--------|--------|--------|--------|--------|--------|--------|
| Model | Compressor | 0°F | -5°F | -10°F | -15°F | -20°F | -25°F | -30°F | -35°F | -40°F |
| LC*0006L^ACZ | ZF03KAE | 4,320 | 3,870 | 3,460 | 3,090 | 2,760 | 2,460 | 2,200 | 1,950 | 1,730 |
| LC*0008L^ACZ | ZF04KAE | 5,860 | 5,210 | 4,610 | 4,050 | 3,560 | 3,120 | 2,740 | 2,420 | 2,170 |
| LC*0010L^ACZ | ZF05KAE | 6,790 | 6,050 | 5,360 | 4,720 | 4,140 | 3,620 | 3,170 | 2,770 | 2,450 |
| LC*0022L^ACZ | ZF07KAE | 9,590 | 8,720 | 7,880 | 7,120 | 6,400 | 5,710 | 5,050 | 4,410 | 3,760 |
| LC*0025L^ACZ | ZF08K4E | 12,750 | 11,500 | 10,320 | 9,200 | 8,140 | 7,160 | 6,260 | 5,420 | 4,670 |
| LC*0030L^ACZ | ZF09K4E | 13,910 | 12,730 | 11,510 | 10,280 | 9,070 | 7,940 | 6,910 | 6,030 | 5,330 |
| LC*0035L^ACZ | ZF11K4E | 16,730 | 15,350 | 13,920 | 12,460 | 11,020 | 9,660 | 8,420 | 7,350 | 6,520 |
| LC*0045L^ACZ | ZF13K4E | 20,990 | 18,750 | 16,640 | 14,650 | 12,830 | 11,210 | 9,820 | 8,670 | 7,800 |
| LC*0055L^ACZ | ZF15K4E | 25,240 | 22,580 | 20,060 | 17,740 | 15,620 | 13,730 | 12,110 | 10,760 | 9,720 |
| LC*0060L^ACZ | ZF18K4E | 29,660 | 26,680 | 23,840 | 21,160 | 18,690 | 16,430 | 14,500 | 12,850 | 11,560 |

| R-407A/R-407F | | Capacity BTUH @ 110°F Ambient by SST | | | | | | | | |
|---------------|------------|--------------------------------------|--------|--------|--------|--------|--------|--------|--------|--------|
| Model | Compressor | 0°F | -5°F | -10°F | -15°F | -20°F | -25°F | -30°F | -35°F | -40°F |
| LC*0006L^ACZ | ZF03KAE | 3,990 | 3,580 | 3,220 | 2,880 | 2,580 | 2,310 | 2,060 | 1,830 | 1,620 |
| LC*0008L^ACZ | ZF04KAE | 5,360 | 4,760 | 4,210 | 3,710 | 3,260 | 2,870 | 2,530 | 2,250 | 2,030 |
| LC*0010L^ACZ | ZF05KAE | 6,200 | 5,530 | 4,900 | 4,320 | 3,790 | 3,320 | 2,910 | 2,570 | 2,280 |
| LC*0022L^ACZ | ZF07KAE | 8,590 | 7,820 | 7,080 | 6,410 | 5,770 | 5,150 | 4,560 | 3,970 | 3,390 |
| LC*0025L^ACZ | ZF08K4E | 11,740 | 10,600 | 9,530 | 8,500 | 7,530 | 6,620 | 5,790 | 5,010 | 4,310 |
| LC*0030L^ACZ | ZF09K4E | 12,920 | 11,850 | 10,740 | 9,610 | 8,500 | 7,440 | 6,470 | 5,630 | 4,950 |
| LC*0035L^ACZ | ZF11K4E | 15,400 | 14,170 | 12,880 | 11,570 | 10,260 | 9,000 | 7,860 | 6,860 | 6,060 |
| LC*0045L^ACZ | ZF13K4E | 19,450 | 17,320 | 15,320 | 13,460 | 11,770 | 10,280 | 9,020 | 8,020 | 7,290 |
| LC*0055L^ACZ | ZF15K4E | 23,340 | 20,830 | 18,480 | 16,300 | 14,310 | 12,560 | 11,040 | 9,810 | 8,870 |
| LC*0060L^ACZ | ZF18K4E | 27,550 | 24,750 | 22,080 | 19,570 | 17,250 | 15,170 | 13,350 | 11,840 | 10,660 |

Notes:

* H = Outdoor, N = Indoor

^ B = 208-230/1/60, C = 208-230/3/60, D = 460/3/60

PERFORMANCE DATA – R-407C

Low Temperature Models - Scroll Compressors

Please consult AWEF table on page 29 to confirm DOE compliance per model

| R-407C | | Capacity BTUH @ 90°F Ambient by SST | | | | | | | | |
|--------------|------------|-------------------------------------|--------|--------|--------|--------|--------|--------|--------|--------|
| Model | Compressor | 0°F | -5°F | -10°F | -15°F | -20°F | -25°F | -30°F | -35°F | -40°F |
| LC*0006L^ACZ | ZF03KAE | 4,130 | 3,670 | 3,260 | 2,900 | 2,580 | 2,310 | 2,070 | 1,860 | 1,670 |
| LC*0008L^ACZ | ZF04KAE | 5,600 | 4,950 | 4,360 | 3,820 | 3,340 | 2,920 | 2,560 | 2,260 | 2,020 |
| LC*0010L^ACZ | ZF05KAE | 6,550 | 5,810 | 5,130 | 4,500 | 3,930 | 3,430 | 2,990 | 2,610 | 2,300 |
| LC*0022L^ACZ | ZF07KAE | 9,420 | 8,420 | 7,560 | 6,790 | 6,090 | 5,440 | 4,820 | 4,180 | 3,500 |
| LC*0025L^ACZ | ZF08K4E | — | — | — | — | — | — | — | — | — |
| LC*0030L^ACZ | ZF09K4E | 13,120 | 11,920 | 10,710 | 9,520 | 8,380 | 7,330 | 6,410 | 5,630 | 5,040 |
| LC*0035L^ACZ | ZF11K4E | 16,020 | 14,600 | 13,140 | 11,660 | 10,260 | 8,960 | 7,810 | 6,870 | 6,200 |
| LC*0045L^ACZ | ZF13K4E | 19,420 | 17,330 | 15,370 | 13,520 | 11,830 | 10,330 | 9,030 | 7,940 | 7,120 |
| LC*0055L^ACZ | ZF15K4E | 23,430 | 20,950 | 18,610 | 16,440 | 14,450 | 12,690 | 11,170 | 9,930 | 9,000 |
| LC*0060L^ACZ | ZF18K4E | 27,620 | 24,750 | 22,070 | 19,540 | 17,230 | 15,160 | 13,370 | 11,880 | 10,740 |

| R-407C | | Capacity BTUH @ 95°F Ambient by SST | | | | | | | | |
|--------------|------------|-------------------------------------|--------|--------|--------|--------|--------|--------|--------|--------|
| Model | Compressor | 0°F | -5°F | -10°F | -15°F | -20°F | -25°F | -30°F | -35°F | -40°F |
| LC*0006L^ACZ | ZF03KAE | 4,000 | 3,560 | 3,160 | 2,820 | 2,510 | 2,250 | 2,010 | 1,810 | 1,630 |
| LC*0008L^ACZ | ZF04KAE | 5,420 | 4,790 | 4,220 | 3,700 | 3,240 | 2,830 | 2,490 | 2,200 | 1,980 |
| LC*0010L^ACZ | ZF05KAE | 6,340 | 5,620 | 4,960 | 4,360 | 3,810 | 3,320 | 2,900 | 2,540 | 2,240 |
| LC*0022L^ACZ | ZF07KAE | 9,090 | 8,130 | 7,310 | 6,570 | 5,900 | 5,280 | 4,680 | 4,060 | 3,400 |
| LC*0025L^ACZ | ZF08K4E | — | — | — | — | — | — | — | — | — |
| LC*0030L^ACZ | ZF09K4E | 12,740 | 11,580 | 10,420 | 9,270 | 8,160 | 7,140 | 6,230 | 5,470 | 4,880 |
| LC*0035L^ACZ | ZF11K4E | 15,520 | 14,160 | 12,760 | 11,340 | 9,980 | 8,710 | 7,600 | 6,680 | 6,010 |
| LC*0045L^ACZ | ZF13K4E | 18,870 | 16,820 | 14,890 | 13,090 | 11,440 | 9,980 | 8,730 | 7,710 | 6,940 |
| LC*0055L^ACZ | ZF15K4E | 22,790 | 20,350 | 18,070 | 15,940 | 14,010 | 12,290 | 10,830 | 9,640 | 8,750 |
| LC*0060L^ACZ | ZF18K4E | 26,880 | 24,070 | 21,440 | 18,980 | 16,730 | 14,720 | 12,980 | 11,550 | 10,470 |

Notes:

* H = Outdoor, N = Indoor

^ B = 208-230/1/60, C = 208-230/3/60, D = 460/3/60

PERFORMANCE DATA – R-407C

Low Temperature Models - Scroll Compressors (Cont.)

Please consult AWEF table on page 29 to confirm DOE compliance per model

| R-407C | | Capacity BTUH @ 100°F Ambient by SST | | | | | | | | |
|--------------|------------|--------------------------------------|--------|--------|--------|--------|--------|--------|--------|--------|
| Model | Compressor | 0°F | -5°F | -10°F | -15°F | -20°F | -25°F | -30°F | -35°F | -40°F |
| LC*0006L^ACZ | ZF03KAE | 3,870 | 3,440 | 3,070 | 2,730 | 2,440 | 2,180 | 1,960 | 1,770 | 1,590 |
| LC*0008L^ACZ | ZF04KAE | 5,230 | 4,630 | 4,080 | 3,580 | 3,130 | 2,750 | 2,420 | 2,150 | 1,930 |
| LC*0010L^ACZ | ZF05KAE | 6,120 | 5,430 | 4,800 | 4,210 | 3,690 | 3,220 | 2,810 | 2,470 | 2,180 |
| LC*0022L^ACZ | ZF07KAE | 8,760 | 7,850 | 7,060 | 6,350 | 5,710 | 5,110 | 4,530 | 3,940 | 3,300 |
| LC*0025L^ACZ | ZF08K4E | — | — | — | — | — | — | — | — | — |
| LC*0030L^ACZ | ZF09K4E | 12,360 | 11,250 | 10,130 | 9,020 | 7,950 | 6,950 | 6,060 | 5,310 | 4,730 |
| LC*0035L^ACZ | ZF11K4E | 15,030 | 13,720 | 12,370 | 11,020 | 9,690 | 8,470 | 7,380 | 6,480 | 5,820 |
| LC*0045L^ACZ | ZF13K4E | 18,310 | 16,300 | 14,410 | 12,640 | 11,050 | 9,630 | 8,430 | 7,470 | 6,760 |
| LC*0055L^ACZ | ZF15K4E | 22,120 | 19,730 | 17,500 | 15,430 | 13,540 | 11,880 | 10,470 | 9,320 | 8,480 |
| LC*0060L^ACZ | ZF18K4E | 26,130 | 23,380 | 20,810 | 18,410 | 16,210 | 14,260 | 12,590 | 11,210 | 10,180 |

| R-407C | | Capacity BTUH @ 110°F Ambient by SST | | | | | | | | |
|--------------|------------|--------------------------------------|--------|--------|--------|--------|--------|--------|--------|-------|
| Model | Compressor | 0°F | -5°F | -10°F | -15°F | -20°F | -25°F | -30°F | -35°F | -40°F |
| LC*0006L^ACZ | ZF03KAE | 3,610 | 3,220 | 2,870 | 2,570 | 2,300 | 2,060 | 1,850 | 1,670 | 1,510 |
| LC*0008L^ACZ | ZF04KAE | 4,860 | 4,300 | 3,790 | 3,330 | 2,930 | 2,570 | 2,270 | 2,030 | 1,840 |
| LC*0010L^ACZ | ZF05KAE | 5,690 | 5,050 | 4,460 | 3,920 | 3,440 | 3,010 | 2,640 | 2,320 | 2,060 |
| LC*0022L^ACZ | ZF07KAE | 8,090 | 7,260 | 6,540 | 5,900 | 5,320 | 4,770 | 4,230 | 3,680 | 3,080 |
| LC*0025L^ACZ | ZF08K4E | — | — | — | — | — | — | — | — | — |
| LC*0030L^ACZ | ZF09K4E | 11,610 | 10,590 | 9,560 | 8,520 | 7,520 | 6,580 | 5,740 | 5,010 | 4,440 |
| LC*0035L^ACZ | ZF11K4E | 14,030 | 12,830 | 11,590 | 10,340 | 9,120 | 7,980 | 6,960 | 6,100 | 5,460 |
| LC*0045L^ACZ | ZF13K4E | 17,140 | 15,200 | 13,400 | 11,730 | 10,230 | 8,920 | 7,830 | 6,970 | 6,380 |
| LC*0055L^ACZ | ZF15K4E | 20,690 | 18,420 | 16,290 | 14,320 | 12,550 | 10,980 | 9,670 | 8,610 | 7,850 |
| LC*0060L^ACZ | ZF18K4E | 24,560 | 21,960 | 19,480 | 17,200 | 15,130 | 13,290 | 11,730 | 10,460 | 9,530 |

Notes:

* H = Outdoor, N = Indoor

^ B = 208-230/1/60, C = 208-230/3/60, D = 460/3/60

UNIT SPECIFICATIONS

Medium & Low Temperature Models - Scroll Compressors

Please consult AWEF table on pages 27-29 to confirm DOE compliance per model

| Model | Compressor | Refrigerant Line Connections (OD) | | Rec. Capacity @90% full (lbs) | | Cabinet ^h | Dimensions (In.) | | | Net Wt. (lbs.) | Sound Data dBa ^a |
|--------------|------------------|-----------------------------------|---------|-------------------------------|-----|----------------------|------------------|--------|--------|----------------|-----------------------------|
| | | Liquid | Suction | Std | Opt | | Depth | Width | Height | | |
| LC*0005M^ACZ | ZB06KAE | 3/8 | 5/8 | 9 | — | C1 | 28.25 | 24.625 | 19.75 | 167 | 61 |
| LC*0008M^ACZ | ZB07KAE | 3/8 | 5/8 | 9 | — | C1 | 28.25 | 24.625 | 19.75 | 168 | 61 |
| LC*0009M^ACZ | ZB08KAE | 3/8 | 5/8 | 9 | — | C1 | 28.25 | 24.625 | 19.75 | 168 | 61 |
| LC*0010M^A+Z | ZS09KAE / MPA010 | 3/8 | 5/8 | 9 | — | C1 | 28.25 | 24.625 | 19.75 | 179 | 61 |
| LC*0015M^A+Z | ZS13KAE / MPA013 | 1/2 | 7/8 | 14 | 20 | C2 | 28.25 | 39.125 | 19.75 | 221 | 63 |
| LC*0020M^A+Z | ZS15KAE / MPA015 | 1/2 | 7/8 | 14 | 20 | C2 | 28.25 | 39.125 | 19.75 | 221 | 63 |
| LC*0025M^A+Z | ZS19KAE / MPA019 | 1/2 | 7/8 | 14 | 20 | C2 | 28.25 | 39.125 | 19.75 | 230 | 63 |
| LC*0030M^A+Z | ZS21KAE / MBA021 | 1/2 | 7/8 | 20 | 40 | C3 | 30.25 | 43.875 | 29.25 | 297 | 63 |
| LC*0035M^A+Z | ZS26KAE / MBA026 | 1/2 | 7/8 | 20 | 40 | C3 | 30.25 | 43.875 | 29.25 | 300 | 63 |
| LC*0045M^A+Z | ZS29KAE / MBA029 | 1/2 | 1 1/8 | 20 | 40 | C3 | 30.25 | 43.875 | 29.25 | 327 | 63 |
| LC*0050M^A+Z | ZS33KAE / MBA033 | 1/2 | 1 1/8 | 20 | 40 | C3 | 30.25 | 43.875 | 29.25 | 330 | 63 |
| LC*0055M^A+Z | ZS38K4E / MRA038 | 1/2 | 1 1/8 | 20 | 40 | C3 | 30.25 | 43.875 | 29.25 | 332 | 63 |
| LC*0060M^A+Z | ZS45K4E / MRA045 | 1/2 | 1 1/8 | 20 | 40 | C3 | 30.25 | 43.875 | 29.25 | 335 | 63 |
| LC*0006L^ACZ | ZF03KAE | 3/8 | 5/8 | 9 | — | C1 | 28.25 | 24.625 | 19.75 | 169 | 63 |
| LC*0008L^ACZ | ZF04KAE | 3/8 | 5/8 | 9 | — | C1 | 28.25 | 24.625 | 19.75 | 171 | 63 |
| LC*0010L^ACZ | ZF05KAE | 3/8 | 5/8 | 9 | — | C1 | 28.25 | 24.625 | 19.75 | 172 | 63 |
| LC*0022L^ACZ | ZF07KAE | 3/8 | 5/8 | 9 | — | C1 | 28.25 | 24.625 | 19.75 | 173 | 63 |
| LC*0025L^ACZ | ZF08K4E | 1/2 | 7/8 | 14 | 20 | C2 | 28.25 | 39.125 | 19.75 | 230 | 64 |
| LC*0030L^ACZ | ZF09K4E | 1/2 | 7/8 | 14 | 20 | C2 | 28.25 | 39.125 | 19.75 | 230 | 64 |
| LC*0035L^ACZ | ZF11K4E | 1/2 | 7/8 | 14 | 20 | C2 | 28.25 | 39.125 | 19.75 | 232 | 64 |
| LC*0045L^ACZ | ZF13K4E | 1/2 | 7/8 | 20 | 40 | C3 | 30.25 | 43.875 | 29.25 | 317 | 64 |
| LC*0055L^ACZ | ZF15K4E | 1/2 | 7/8 | 20 | 40 | C3 | 30.25 | 43.875 | 29.25 | 323 | 64 |
| LC*0060L^ACZ | ZF18K4E | 1/2 | 7/8 | 20 | 40 | C3 | 30.25 | 43.875 | 29.25 | 327 | 64 |

Notes:

* H = Outdoor, N = Indoor

^ B = 208-230/1/60, C = 208-230/3/60, D = 460/3/60

‡ C = Copeland, L = LG

a. Estimated sound pressure values are 10 feet from the unit. For estimating sound pressure from the unit at different distances, deduct the following from the unit values: 20 feet, deduct 6 dBA; for 40 feet, deduct 12 dBA; for 80 feet, deduct 18 dBA. This data is typical of "free field" conditions for horizontal air cooled condensing units at the outlet of the discharge air. The actual sound measurements may vary depending on the condensing unit installation. Factors such as reflecting walls, background noise and mounting conditions may have a significant influence on this data.

h. See Page 43 for dimensional drawings

ELECTRICAL DATA

Medium Temperature Models - Copeland Scroll Compressors

Please consult AWEF table on page 27 to confirm DOE compliance per model

| Model | Compressor | Power ^d | Remote Loads | | | | | | | | | |
|--------------|-------------|--------------------|------------------|-------|-----------|-----|----------------------------------|------|----------------|--------------------|------------------|------|
| | | | Compressor | | Condenser | | Air Defrost or Remote Controller | | Evap. Fan Amps | Defrost Htrs. Amps | Electric Defrost | |
| | | | RLA ^c | LRA | No. Fans | FLA | MCA | MOPD | | | MCA | MOPD |
| LC*0005MBACZ | ZB06KAE-PFV | 208-230/1/60 | 5.4 | 35.7 | 1 | 0.5 | 15.0 | 15.0 | 5 | 15 | 20 | 20 |
| LC*0005MCACZ | ZB06KAE-TF5 | 208-230/3/60 | 4.3 | 37.8 | 1 | 0.5 | 15.0 | 15.0 | 5 | 15 | 20 | 20 |
| LC*0008MBACZ | ZB07KAE-PFV | 208-230/1/60 | 5.6 | 48.0 | 1 | 0.5 | 15.0 | 15.0 | 5 | 15 | 20 | 20 |
| LC*0008MCACZ | ZB07KAE-TF5 | 208-230/3/60 | 4.7 | 37.8 | 1 | 0.5 | 15.0 | 15.0 | 5 | 15 | 20 | 20 |
| LC*0009MBACZ | ZB08KAE-PFV | 208-230/1/60 | 7.2 | 47.2 | 1 | 0.5 | 15.0 | 15.0 | 5 | 15 | 20 | 20 |
| LC*0009MCACZ | ZB08KAE-TF5 | 208-230/3/60 | 4.7 | 37.8 | 1 | 0.5 | 15.0 | 15.0 | 5 | 15 | 20 | 20 |
| LC*0010MBACZ | ZS09KAE-PFV | 208-230/1/60 | 9.0 | 40.3 | 1 | 0.5 | 15.0 | 20.0 | 5 | 15 | 20 | 25 |
| LC*0010MCACZ | ZS09KAE-TF5 | 208-230/3/60 | 7.2 | 55.4 | 1 | 0.5 | 15.0 | 15.0 | 5 | 15 | 20 | 20 |
| LC*0010MDACZ | ZS09KAE-TFD | 460/3/60 | 3.4 | 28.0 | 1 | 0.5 | 15.0 | 15.0 | 5 | 15 | 20 | 20 |
| LC*0015MBACZ | ZS13KAE-PFV | 208-230/1/60 | 10.8 | 56.0 | 2 | 1 | 15.0 | 25.0 | 10 | 30 | 37.5 | 40 |
| LC*0015MCACZ | ZS13KAE-TF5 | 208-230/3/60 | 8.7 | 58.0 | 2 | 1 | 15.0 | 20.0 | 9 | 23 | 28.8 | 30 |
| LC*0015MDACZ | ZS13KAE-TFD | 460/3/60 | 4.3 | 29.0 | 2 | 1 | 15.0 | 15.0 | b | b | 15 | 15 |
| LC*0020MBACZ | ZS15KAE-PFV | 208-230/1/60 | 14.1 | 68.0 | 2 | 1 | 20.0 | 30.0 | 10 | 30 | 37.5 | 40 |
| LC*0020MCACZ | ZS15KAE-TF5 | 208-230/3/60 | 9.6 | 58.0 | 2 | 1 | 15.0 | 20.0 | 9 | 23 | 28.8 | 30 |
| LC*0020MDACZ | ZS15KAE-TFD | 460/3/60 | 4.8 | 29.0 | 2 | 1 | 15.0 | 15.0 | b | b | 15 | 15 |
| LC*0025MBACZ | ZS19KAE-PFV | 208-230/1/60 | 16.2 | 75.0 | 2 | 1 | 21.2 | 35.0 | 10 | 30 | 37.5 | 45 |
| LC*0025MCACZ | ZS19KAE-TF5 | 208-230/3/60 | 12.3 | 73.0 | 2 | 1 | 20.0 | 25.0 | 9 | 23 | 28.8 | 35 |
| LC*0025MDACZ | ZS19KAE-TFD | 460/3/60 | 5.8 | 38.0 | 2 | 1 | 15.0 | 15.0 | b | b | 15 | 15 |
| LC*0030MBACZ | ZS21KAE-PFV | 208-230/1/60 | 20.8 | 112.0 | 1 | 3.5 | 29.5 | 50.0 | 10 | 30 | 39.5 | 60 |
| LC*0030MCACZ | ZS21KAE-TF5 | 208-230/3/60 | 13.7 | 93.0 | 1 | 3.5 | 20.6 | 30.0 | 10 | 30 | 37.5 | 40 |
| LC*0030MDACZ | ZS21KAE-TFD | 460/3/60 | 6.2 | 48.0 | 1 | 1.9 | 15.0 | 15.0 | 9 | 23 | 28.8 | 30 |
| LC*0035MBACZ | ZS26KAE-PFV | 208-230/1/60 | 21.2 | 104.0 | 1 | 3.5 | 29.9 | 50.0 | 10 | 30 | 39.9 | 60 |
| LC*0035MCACZ | ZS26KAE-TF5 | 208-230/3/60 | 13.9 | 93.0 | 1 | 3.5 | 20.9 | 30.0 | 10 | 30 | 37.5 | 40 |
| LC*0035MDACZ | ZS26KAE-TFD | 460/3/60 | 6.2 | 48.0 | 1 | 1.9 | 15.0 | 15.0 | 9 | 23 | 28.8 | 30 |
| LC*0045MBACZ | ZS29KAE-PFV | 208-230/1/60 | 23.4 | 137.0 | 1 | 3.5 | 32.7 | 50.0 | 10 | 30 | 42.7 | 60 |
| LC*0045MCACZ | ZS29KAE-TF5 | 208-230/3/60 | 18.4 | 114.0 | 1 | 3.5 | 26.5 | 40.0 | 10 | 30 | 37.5 | 50 |
| LC*0045MDACZ | ZS29KAE-TFD | 460/3/60 | 8.4 | 58.0 | 1 | 1.9 | 15.0 | 20.0 | 9 | 23 | 28.8 | 30 |

Notes:

* H = Outdoor, N = Indoor

b. Power supplied by customer

c. Per UL and NEC, RLA values have been calculated by dividing the Maximum Continuous Current (MCC) by 1.56.

d. Unless otherwise noted, model is available for 50 Hz. Consult factory for details.

ELECTRICAL DATA

Medium Temperature Models - Copeland Scroll Compressors

Please consult AWEF table on page 27 to confirm DOE compliance per model

| Model | Compressor | Power ^d | Remote Loads | | | | | | | | | |
|--------------|-------------|--------------------|------------------|-------|-----------|-----|----------------------------------|------|----------------|--------------------|------------------|------|
| | | | Compressor | | Condenser | | Air Defrost or Remote Controller | | Evap. Fan Amps | Defrost Htrs. Amps | Electric Defrost | |
| | | | RLA ^c | LRA | No. Fans | FLA | MCA | MOPD | | | MCA | MOPD |
| LC*0050MBACZ | ZS33KAE-PFV | 208-230/1/60 | 23.0 | 146.0 | 1 | 3.5 | 32.3 | 50.0 | 10 | 30 | 42.3 | 60 |
| LC*0050MCACZ | ZS33KAE-TF5 | 208-230/3/60 | 20.0 | 114.0 | 1 | 3.5 | 28.5 | 45.0 | 10 | 30 | 38.5 | 50 |
| LC*0050MDACZ | ZS33KAE-TFD | 460/3/60 | 9.0 | 52.0 | 1 | 1.9 | 15.0 | 20.0 | 9 | 23 | 28.8 | 30 |
| LC*0055MBACZ | ZS38K4E-PFV | 208-230/1/60 | 28.5 | 169.0 | 1 | 3.5 | 39.2 | 60.0 | 10 | 30 | 49.2 | 60 |
| LC*0055MCACZ | ZS38K4E-TF5 | 208-230/3/60 | 19.2 | 123.0 | 1 | 3.5 | 27.5 | 45.0 | 10 | 30 | 37.5 | 50 |
| LC*0055MDACZ | ZS38K4E-TFD | 460/3/60 | 8.7 | 62.0 | 1 | 1.9 | 15.0 | 20.0 | 9 | 23 | 28.8 | 30 |
| LC*0060MCACZ | ZS45K4E-TF5 | 208-230/3/60 | 21.5 | 156.0 | 1 | 3.5 | 30.3 | 50.0 | 10 | 30 | 40.3 | 60 |
| LC*0060MDACZ | ZS45K4E-TFD | 460/3/60 | 8.3 | 75.0 | 1 | 1.9 | 15.0 | 20.0 | 9 | 23 | 28.8 | 30 |

Notes:

* H = Outdoor, N = Indoor

b. Power supplied by customer

c. Per UL and NEC, RLA values have been calculated by dividing the Maximum Continuous Current (MCC) by 1.56.

d. Unless otherwise noted, model is available for 50 Hz. Consult factory for details.

ELECTRICAL DATA

Medium Temperature Models - LG Scroll Compressors

Please consult AWEF table on page 28 to confirm DOE compliance per model

| Model | Compressor | Power ^d | Remote Loads | | | | | | | | | |
|--------------|------------|---------------------------|------------------|-------|-----------|-----|----------------------------------|------|----------------|--------------------|------------------|------|
| | | | Compressor | | Condenser | | Air Defrost or Remote Controller | | Evap. Fan Amps | Defrost Htrs. Amps | Electric Defrost | |
| | | | RLA ^c | LRA | No. Fans | FLA | MCA | MOPD | | | MCA | MOPD |
| LC*0010MBALZ | MPA010KAA | 208-230/1/60 ^e | 7.3 | 42.0 | 1 | 0.5 | 15.0 | 15.0 | 5 | 15 | 20 | 20 |
| LC*0010MCALZ | MPA010RAA | 208-230/3/60 ^e | 4.8 | 56.0 | 1 | 0.5 | 15.0 | 15.0 | 5 | 15 | 20 | 20 |
| LC*0010MDALZ | MPA010SAA | 460/3/60 ^e | 2.8 | 29.0 | 1 | 0.5 | 15.0 | 15.0 | 5 | 15 | 20 | 20 |
| LC*0015MBALZ | MPA013KAA | 208-230/1/60 ^e | 10.3 | 67.0 | 2 | 1 | 15.0 | 20.0 | 10 | 30 | 37.5 | 40 |
| LC*0015MCALZ | MPA013RAA | 208-230/3/60 ^e | 6.4 | 62.0 | 2 | 1 | 15.0 | 15.0 | 9 | 23 | 28.8 | 30 |
| LC*0015MDALZ | MPA013SAA | 460/3/60 ^e | 3.8 | 31.0 | 2 | 1 | 15.0 | 15.0 | b | b | 15 | 15 |
| LC*0020MBALZ | MPA015KAA | 208-230/1/60 ^e | 11.5 | 77.0 | 2 | 1 | 20.0 | 25.0 | 10 | 30 | 37.5 | 40 |
| LC*0020MCALZ | MPA015RAA | 208-230/3/60 ^e | 7.1 | 62.0 | 2 | 1 | 15.0 | 15.0 | 9 | 23 | 28.8 | 30 |
| LC*0020MDALZ | MPA015SAA | 460/3/60 ^e | 3.8 | 31.0 | 2 | 1 | 15.0 | 15.0 | b | b | 15 | 15 |
| LC*0025MBALZ | MPA019KAA | 208-230/1/60 ^e | 12.8 | 77.0 | 2 | 1 | 20.0 | 25.0 | 10 | 30 | 37.5 | 40 |
| LC*0025MCALZ | MPA019RAA | 208-230/3/60 ^e | 7.7 | 69.0 | 2 | 1 | 15.0 | 15.0 | 9 | 23 | 28.8 | 30 |
| LC*0025MDALZ | MPA019SAA | 460/3/60 ^e | 3.8 | 31.0 | 2 | 1 | 15.0 | 15.0 | b | b | 15 | 15 |
| LC*0030MBALZ | MBA021KAA | 208-230/1/60 ^e | 17.9 | 94.0 | 1 | 3.5 | 25.9 | 40.0 | 10 | 30 | 37.5 | 50 |
| LC*0030MCALZ | MBA021RAA | 208-230/3/60 ^e | 12.2 | 118.0 | 1 | 3.5 | 20.0 | 30.0 | 10 | 30 | 37.5 | 40 |
| LC*0030MDALZ | MBA021SAA | 460/3/60 ^e | 5.8 | 69.0 | 1 | 1.9 | 15.0 | 15.0 | 9 | 23 | 28.8 | 30 |
| LC*0035MBALZ | MBA026KAA | 208-230/1/60 ^e | 19.2 | 118.0 | 1 | 3.5 | 27.5 | 45.0 | 10 | 30 | 37.5 | 50 |
| LC*0035MCALZ | MBA026RAA | 208-230/3/60 ^e | 11.5 | 118.0 | 1 | 3.5 | 20.0 | 25.0 | 10 | 30 | 37.5 | 40 |
| LC*0035MDALZ | MBA026SAA | 460/3/60 ^e | 5.8 | 69.0 | 1 | 1.9 | 15.0 | 15.0 | 9 | 23 | 28.8 | 30 |
| LC*0045MBALZ | MBA029KAA | 208-230/1/60 ^e | 22.4 | 118.0 | 1 | 3.5 | 31.5 | 50.0 | 10 | 30 | 41.5 | 60 |
| LC*0045MCALZ | MBA029RAA | 208-230/3/60 ^e | 12.2 | 115.0 | 1 | 3.5 | 20.0 | 30.0 | 10 | 30 | 37.5 | 40 |
| LC*0045MDALZ | MBA029SAA | 460/3/60 ^e | 5.8 | 69.0 | 1 | 1.9 | 15.0 | 15.0 | 9 | 23 | 28.8 | 30 |
| LC*0050MBALZ | MBA033KAA | 208-230/1/60 ^e | 21.8 | 118.0 | 1 | 3.5 | 30.7 | 50.0 | 10 | 30 | 40.7 | 60 |
| LC*0050MCALZ | MBA033RAA | 208-230/3/60 ^e | 12.2 | 115.0 | 1 | 3.5 | 20.0 | 30.0 | 10 | 30 | 37.5 | 40 |
| LC*0050MDALZ | MBA033SAA | 460/3/60 ^e | 6.4 | 60.0 | 1 | 1.9 | 15.0 | 15.0 | 9 | 23 | 28.8 | 30 |
| LC*0055MBALZ | MRA038KAA | 208-230/1/60 ^e | 25.1 | 159.0 | 1 | 3.5 | 34.8 | 50.0 | 10 | 30 | 44.8 | 60 |
| LC*0055MCALZ | MRA038RAA | 208-230/3/60 ^e | 18.3 | 137.0 | 1 | 3.5 | 26.4 | 40.0 | 10 | 30 | 37.5 | 50 |
| LC*0055MDALZ | MRA038SAA | 460/3/60 ^e | 9.1 | 84.0 | 1 | 1.9 | 15.0 | 20.0 | 9 | 23 | 28.8 | 30 |
| LC*0060MCALZ | MRA045RAA | 208-230/3/60 ^e | 18.7 | 156.0 | 1 | 3.5 | 26.8 | 45.0 | 10 | 30 | 37.5 | 50 |
| LC*0060MDALZ | MRA045SAA | 460/3/60 ^e | 8.8 | 84.0 | 1 | 1.9 | 15.0 | 20.0 | 9 | 23 | 28.8 | 30 |

Notes:

* H = Outdoor, N = Indoor

b. Power supplied by customer

c. Per UL and NEC, RLA values have been calculated by dividing the Maximum Continuous Current (MCC) by 1.56.

d. Unless otherwise noted, model is available for 50 Hz. Consult factory for details.

e. Compressor not rated for 50 Hz operation.

ELECTRICAL DATA

Low Temperature Models - Copeland Scroll Compressors

Please consult AWEF table on page 29 to confirm DOE compliance per model

| Model | Compressor | Power ^d | Compressor | | Condenser | | Air Defrost or Remote Controller | | Remote Loads | | | |
|--------------|-------------|--------------------|------------------|-------|-----------|-----|----------------------------------|------|----------------|--------------------|------------------|------|
| | | | RLA ^c | LRA | No. Fans | FLA | MCA | MOPD | Evap. Fan Amps | Defrost Htrs. Amps | Electric Defrost | |
| | | | | | | | | | | | MCA | MOPD |
| LC*0006LBACZ | ZF03KAE-PFV | 208-230/1/60 | 5.4 | 42.3 | 1 | 0.5 | 15.0 | 15.0 | 5 | 15 | 20 | 20 |
| LC*0006LCACZ | ZF03KAE-TF5 | 208-230/3/60 | 3.7 | 31.7 | 1 | 0.5 | 15.0 | 15.0 | 5 | 15 | 20 | 20 |
| LC*0008LBACZ | ZF04KAE-PFV | 208-230/1/60 | 6.6 | 40.3 | 1 | 0.5 | 15.0 | 15.0 | 5 | 15 | 20 | 20 |
| LC*0008LCACZ | ZF04KAE-TF5 | 208-230/3/60 | 6.0 | 55.4 | 1 | 0.5 | 15.0 | 15.0 | 5 | 15 | 20 | 20 |
| LC*0008LDACZ | ZF04KAE-TFD | 460/3/60 | 3.0 | 28.0 | 1 | 0.5 | 15.0 | 15.0 | 5 | 15 | 20 | 20 |
| LC*0010LBACZ | ZF05KAE-PFV | 208-230/1/60 | 7.8 | 55.0 | 1 | 0.5 | 15.0 | 15.0 | 5 | 15 | 20 | 20 |
| LC*0010LCACZ | ZF05KAE-TF5 | 208-230/3/60 | 6.6 | 58.0 | 1 | 0.5 | 15.0 | 15.0 | 5 | 15 | 20 | 20 |
| LC*0010LDACZ | ZF05KAE-TFD | 460/3/60 | 2.9 | 28.0 | 1 | 0.5 | 15.0 | 15.0 | 5 | 15 | 20 | 20 |
| LC*0022LBACZ | ZF07KAE-PFV | 208-230/1/60 | 12.4 | 75.0 | 1 | 0.5 | 20.0 | 25.0 | 5 | 15 | 21 | 30 |
| LC*0022LCACZ | ZF07KAE-TF5 | 208-230/3/60 | 7.8 | 58.0 | 1 | 0.5 | 15.0 | 15.0 | 5 | 15 | 20 | 20 |
| LC*0022LDACZ | ZF07KAE-TFD | 460/3/60 | 3.6 | 28.0 | 1 | 0.5 | 15.0 | 15.0 | 5 | 15 | 20 | 20 |
| LC*0025LBACZ | ZF08K4E-PFV | 208-230/1/60 | 14.7 | 73.0 | 2 | 1 | 20.0 | 30.0 | 10 | 30 | 37.5 | 40 |
| LC*0025LCACZ | ZF08K4E-TF5 | 208-230/3/60 | 8.7 | 63.0 | 2 | 1 | 15.0 | 20.0 | 9 | 23 | 28.8 | 30 |
| LC*0025LDACZ | ZF08K4E-TFD | 460/3/60 | 4.5 | 31.0 | 2 | 1 | 15.0 | 15.0 | b | b | 15 | 15 |
| LC*0030LBACZ | ZF09K4E-PFV | 208-230/1/60 | 12.8 | 88.0 | 2 | 1 | 20.0 | 25.0 | 10 | 30 | 37.5 | 40 |
| LC*0030LCACZ | ZF09K4E-TF5 | 208-230/3/60 | 9.9 | 77.0 | 2 | 1 | 15.0 | 20.0 | 9 | 23 | 28.8 | 30 |
| LC*0030LDACZ | ZF09K4E-TFD | 460/3/60 | 4.5 | 39.0 | 2 | 1 | 15.0 | 15.0 | b | b | 15 | 15 |
| LC*0035LBACZ | ZF11K4E-PFV | 208-230/1/60 | 16.3 | 109.0 | 2 | 1 | 21.4 | 35.0 | 10 | 30 | 37.5 | 45 |
| LC*0035LCACZ | ZF11K4E-TF5 | 208-230/3/60 | 12.2 | 88.0 | 2 | 1 | 20.0 | 25.0 | 9 | 23 | 28.8 | 35 |
| LC*0035LDACZ | ZF11K4E-TFD | 460/3/60 | 5.8 | 44.0 | 2 | 1 | 15.0 | 15.0 | b | b | 15 | 15 |
| LC*0045LBACZ | ZF13K4E-PFV | 208-230/1/60 | 24.0 | 129.0 | 1 | 3.5 | 33.5 | 50.0 | 10 | 30 | 43.5 | 60 |
| LC*0045LCACZ | ZF13K4E-TF5 | 208-230/3/60 | 11.9 | 99.0 | 1 | 3.5 | 20.0 | 30.0 | 10 | 30 | 37.5 | 40 |
| LC*0045LDACZ | ZF13K4E-TFD | 460/3/60 | 6.4 | 49.5 | 1 | 1.9 | 15.0 | 15.0 | 9 | 23 | 28.8 | 30 |
| LC*0055LBACZ | ZF15K4E-PFV | 208-230/1/60 | 24.7 | 169.0 | 1 | 3.5 | 34.3 | 50.0 | 10 | 30 | 44.3 | 60 |
| LC*0055LCACZ | ZF15K4E-TF5 | 208-230/3/60 | 17.0 | 123.0 | 1 | 3.5 | 24.7 | 40.0 | 10 | 30 | 37.5 | 50 |
| LC*0055LDACZ | ZF15K4E-TFD | 460/3/60 | 8.7 | 62.0 | 1 | 1.9 | 15.0 | 20.0 | 9 | 23 | 28.8 | 30 |
| LC*0060LCACZ | ZF18K4E-TF5 | 208-230/3/60 | 21.5 | 156.0 | 1 | 3.5 | 30.3 | 50.0 | 10 | 30 | 40.3 | 60 |
| LC*0060LDACZ | ZF18K4E-TFD | 460/3/60 | 8.0 | 75.0 | 1 | 1.9 | 15.0 | 15.0 | 9 | 23 | 28.8 | 30 |

Notes:

* H = Outdoor, N = Indoor

b. Power supplied by customer

c. Per UL and NEC, RLA values have been calculated by dividing the Maximum Continuous Current (MCC) by 1.56.

d. Unless otherwise noted, model is available for 50 Hz. Consult factory for details.

AWEF DATA – MEDIUM TEMPERATURE

Copeland Scroll Compressor Models - Indoor/Outdoor

If model has a numerical value in the table below, the following statement applies:

“This refrigeration system is designed and certified for use in walk-in cooler applications.”

| Model | Indoor | | | | | | Outdoor | | | | | |
|--------------|-------------------|--------|--------|--------|--------|--------|-------------------|--------|--------|--------|--------|--------|
| | R-404A/ R-507A | R-448A | R-449A | R-407A | R-407C | R-407F | R-404A/ R-507A | R-448A | R-449A | R-407A | R-407C | R-407F |
| LC*0005MBACZ | — | — | — | — | — | X | 7.60 | 7.60 | 7.60 | — | 7.60 | X |
| LC*0005MCACZ | — | — | — | — | — | X | 7.60 | 7.60 | 7.60 | 7.60 | 7.60 | X |
| LC*0008MBACZ | — | — | — | — | — | X | 7.60 | 7.60 | 7.60 | 7.60 | 7.60 | X |
| LC*0008MCACZ | — | — | — | — | — | X | 7.60 | 7.60 | 7.60 | 7.60 | 7.60 | X |
| LC*0009MBACZ | — | — | — | — | — | X | 7.60 | 7.60 | 7.60 | 7.60 | 7.60 | X |
| LC*0009MCACZ | — | — | — | — | — | X | 7.60 | 7.60 | 7.60 | 7.60 | 7.60 | X |
| LC*0010MBACZ | — | — | — | — | — | X | 7.60 | 7.60 | 7.60 | 7.60 | 7.60 | X |
| LC*0010MCACZ | — | — | — | — | — | X | 7.60 | 7.60 | 7.60 | 7.60 | 7.60 | X |
| LC*0010MDACZ | — | — | — | — | — | X | 7.60 | 7.60 | 7.60 | 7.60 | 7.60 | X |
| LC*0015MBACZ | 5.61 | — | — | 5.61 | — | X | 7.60 | 7.60 | 7.60 | 7.60 | 7.60 | X |
| LC*0015MCACZ | 5.61 | — | — | 5.61 | — | X | 7.60 | 7.60 | 7.60 | 7.60 | 7.60 | X |
| LC*0015MDACZ | 5.61 | — | — | 5.61 | — | X | 7.60 | 7.60 | 7.60 | 7.60 | 7.60 | X |
| LC*0020MBACZ | 5.61 | — | — | 5.61 | 5.61 | X | 7.60 | 7.60 | 7.60 | 7.60 | 7.60 | X |
| LC*0020MCACZ | 5.61 | 5.61 | 5.61 | 5.61 | 5.61 | X | 7.60 | 7.60 | 7.60 | 7.60 | 7.60 | X |
| LC*0020MDACZ | 5.61 | 5.61 | 5.61 | 5.61 | 5.61 | X | 7.60 | 7.60 | 7.60 | 7.60 | 7.60 | X |
| LC*0025MBACZ | 5.61 | — | — | 5.61 | — | X | 7.60 | 7.60 | 7.60 | 7.60 | 7.60 | X |
| LC*0025MCACZ | 5.61 | — | — | 5.61 | — | X | 7.60 | 7.60 | 7.60 | 7.60 | 7.60 | X |
| LC*0025MDACZ | 5.61 | — | — | 5.61 | — | X | 7.60 | 7.60 | 7.60 | 7.60 | 7.60 | X |
| LC*0030MBACZ | 5.61 | 5.61 | 5.61 | 5.61 | 5.61 | X | 7.60 | 7.60 | 7.60 | 7.60 | 7.60 | X |
| LC*0030MCACZ | 5.61 | 5.61 | 5.61 | 5.61 | 5.61 | X | 7.60 | 7.60 | 7.60 | 7.60 | 7.60 | X |
| LC*0030MDACZ | 5.61 | 5.61 | 5.61 | 5.61 | 5.61 | X | 7.60 | 7.60 | 7.60 | 7.60 | 7.60 | X |
| LC*0035MBACZ | 5.61 | 5.61 | 5.61 | 5.61 | 5.61 | X | 7.60 | 7.60 | 7.60 | 7.60 | 7.60 | X |
| LC*0035MCACZ | 5.61 | 5.61 | 5.61 | 5.61 | 5.61 | X | 7.60 | 7.60 | 7.60 | 7.60 | 7.60 | X |
| LC*0035MDACZ | 5.61 | 5.61 | 5.61 | 5.61 | 5.61 | X | 7.60 | 7.60 | 7.60 | 7.60 | 7.60 | X |
| LC*0045MBACZ | 5.61 | 5.61 | 5.61 | 5.61 | 5.61 | X | 7.60 | 7.60 | 7.60 | 7.60 | 7.60 | X |
| LC*0045MCACZ | 5.61 | 5.61 | 5.61 | 5.61 | 5.61 | X | 7.60 | 7.60 | 7.60 | 7.60 | 7.60 | X |
| LC*0045MDACZ | 5.61 | 5.61 | 5.61 | 5.61 | 5.61 | X | 7.60 | 7.60 | 7.60 | 7.60 | 7.60 | X |
| LC*0050MBACZ | 5.61 | 5.61 | 5.61 | 5.61 | 5.61 | X | 7.60 | 7.60 | 7.60 | 7.60 | 7.60 | X |
| LC*0050MCACZ | 5.61 | 5.61 | 5.61 | 5.61 | 5.61 | X | 7.60 | 7.60 | 7.60 | 7.60 | 7.60 | X |
| LC*0050MDACZ | 5.61 | 5.61 | 5.61 | 5.61 | 5.61 | X | 7.60 | 7.60 | 7.60 | 7.60 | 7.60 | X |
| LC*0055MBACZ | 5.61 | — | X | — | 5.61 | X | 7.60 | — | X | 7.60 | 7.60 | X |
| LC*0055MCACZ | 5.61 | — | — | — | 5.61 | X | 7.60 | 7.60 | 7.60 | 7.60 | 7.60 | X |
| LC*0055MDACZ | 5.61 | — | — | — | 5.61 | X | 7.60 | 7.60 | 7.60 | 7.60 | 7.60 | X |
| LC*0060MCACZ | 5.61 | — | — | — | 5.61 | X | 7.60 | 7.60 | 7.60 | 7.60 | 7.60 | X |
| LC*0060MDACZ | 5.61 | — | — | — | 5.61 | X | 7.60 | 7.60 | 7.60 | 7.60 | 7.60 | X |

Notes:

- *H = Outdoor, N = Indoor
- X = model not suitable for this refrigerant
- = model is not DOE AWEF compliant

AWEF DATA – MEDIUM TEMPERATURE

LG Scroll Compressor Models - Indoor/Outdoor

If model has a numerical value in the table below, the following statement applies:

“This refrigeration system is designed and certified for use in walk-in cooler applications.”

| Model | Indoor | | | | | | Outdoor | | | | | |
|--------------|-------------------|--------|--------|--------|--------|--------|-------------------|--------|--------|--------|--------|--------|
| | R-404A/ R-507A | R-448A | R-449A | R-407A | R-407C | R-407F | R-404A/ R-507A | R-448A | R-449A | R-407A | R-407C | R-407F |
| LC*0010MBALZ | — | — | — | — | — | X | 7.60 | 7.60 | 7.60 | 7.60 | 7.60 | X |
| LC*0010MCALZ | — | — | — | — | — | X | 7.60 | 7.60 | 7.60 | 7.60 | 7.60 | X |
| LC*0010MDALZ | — | — | — | — | — | X | 7.60 | 7.60 | 7.60 | 7.60 | 7.60 | X |
| LC*0015MBALZ | 5.61 | — | — | 5.61 | — | X | 7.60 | 7.60 | 7.60 | 7.60 | 7.60 | X |
| LC*0015MCALZ | 5.61 | — | — | 5.61 | — | X | 7.60 | 7.60 | 7.60 | 7.60 | 7.60 | X |
| LC*0015MDALZ | 5.61 | — | — | 5.61 | — | X | 7.60 | 7.60 | 7.60 | 7.60 | 7.60 | X |
| LC*0020MBALZ | 5.61 | — | — | 5.61 | 5.61 | X | 7.60 | 7.60 | 7.60 | 7.60 | 7.60 | X |
| LC*0020MCALZ | 5.61 | 5.61 | 5.61 | 5.61 | 5.61 | X | 7.60 | 7.60 | 7.60 | 7.60 | 7.60 | X |
| LC*0020MDALZ | 5.61 | 5.61 | 5.61 | 5.61 | 5.61 | X | 7.60 | 7.60 | 7.60 | 7.60 | 7.60 | X |
| LC*0025MBALZ | 5.61 | — | — | 5.61 | — | X | 7.60 | 7.60 | 7.60 | 7.60 | 7.60 | X |
| LC*0025MCALZ | 5.61 | — | — | 5.61 | — | X | 7.60 | 7.60 | 7.60 | 7.60 | 7.60 | X |
| LC*0025MDALZ | 5.61 | — | — | 5.61 | — | X | 7.60 | 7.60 | 7.60 | 7.60 | 7.60 | X |
| LC*0030MBALZ | 5.61 | 5.61 | 5.61 | 5.61 | 5.61 | X | 7.60 | 7.60 | 7.60 | 7.60 | 7.60 | X |
| LC*0030MCALZ | 5.61 | 5.61 | 5.61 | 5.61 | 5.61 | X | 7.60 | 7.60 | 7.60 | 7.60 | 7.60 | X |
| LC*0030MDALZ | 5.61 | 5.61 | 5.61 | 5.61 | 5.61 | X | 7.60 | 7.60 | 7.60 | 7.60 | 7.60 | X |
| LC*0035MBALZ | 5.61 | 5.61 | 5.61 | 5.61 | 5.61 | X | 7.60 | 7.60 | 7.60 | 7.60 | 7.60 | X |
| LC*0035MCALZ | 5.61 | 5.61 | 5.61 | 5.61 | 5.61 | X | 7.60 | 7.60 | 7.60 | 7.60 | 7.60 | X |
| LC*0035MDALZ | 5.61 | 5.61 | 5.61 | 5.61 | 5.61 | X | 7.60 | 7.60 | 7.60 | 7.60 | 7.60 | X |
| LC*0045MBALZ | 5.61 | 5.61 | 5.61 | 5.61 | 5.61 | X | 7.60 | 7.60 | 7.60 | 7.60 | 7.60 | X |
| LC*0045MCALZ | 5.61 | 5.61 | 5.61 | 5.61 | 5.61 | X | 7.60 | 7.60 | 7.60 | 7.60 | 7.60 | X |
| LC*0045MDALZ | 5.61 | 5.61 | 5.61 | 5.61 | 5.61 | X | 7.60 | 7.60 | 7.60 | 7.60 | 7.60 | X |
| LC*0050MBALZ | 5.61 | 5.61 | 5.61 | 5.61 | 5.61 | X | 7.60 | 7.60 | 7.60 | 7.60 | 7.60 | X |
| LC*0050MCALZ | 5.61 | 5.61 | 5.61 | 5.61 | 5.61 | X | 7.60 | 7.60 | 7.60 | 7.60 | 7.60 | X |
| LC*0050MDALZ | 5.61 | 5.61 | 5.61 | 5.61 | 5.61 | X | 7.60 | 7.60 | 7.60 | 7.60 | 7.60 | X |
| LC*0055MBALZ | 5.61 | — | X | — | 5.61 | X | 7.60 | — | X | 7.60 | 7.60 | X |
| LC*0055MCALZ | 5.61 | — | — | — | 5.61 | X | 7.60 | 7.60 | 7.60 | 7.60 | 7.60 | X |
| LC*0055MDALZ | 5.61 | — | — | — | 5.61 | X | 7.60 | 7.60 | 7.60 | 7.60 | 7.60 | X |
| LC*0060MCALZ | 5.61 | — | — | — | 5.61 | X | 7.60 | 7.60 | 7.60 | 7.60 | 7.60 | X |
| LC*0060MDALZ | 5.61 | — | — | — | 5.61 | X | 7.60 | 7.60 | 7.60 | 7.60 | 7.60 | X |

Notes:

*H = Outdoor, N = Indoor

X = model not suitable for this refrigerant

— = model is not DOE AWEF compliant

AWEF DATA – LOW TEMPERATURE

Copeland Scroll Models - Indoor/Outdoor

If model has a numerical value in the table below, the following statement applies:

“This refrigeration system is designed and certified for use in walk-in freezer applications.”

| Model | Indoor | | | | | | Outdoor | | | | | |
|--------------|-------------------|--------|--------|--------|--------|--------|-------------------|--------|--------|--------|--------|--------|
| | R-404A/ R-507A | R-448A | R-449A | R-407A | R-407C | R-407F | R-404A/ R-507A | R-448A | R-449A | R-407A | R-407C | R-407F |
| LC*0006LBACZ | 2.04 | — | — | — | — | 2.01 | 2.88 | 2.87 | 2.87 | 2.87 | — | 2.87 |
| LC*0006LCACZ | 2.04 | — | — | — | — | 2.01 | 2.88 | 2.87 | 2.87 | 2.87 | — | 2.87 |
| LC*0008LBACZ | — | — | — | — | — | — | — | — | — | — | — | — |
| LC*0008LCACZ | — | — | — | — | — | 2.07 | 2.93 | 2.91 | 2.90 | 2.91 | 2.89 | 2.91 |
| LC*0008LDACZ | — | — | — | — | — | 2.07 | 2.93 | 2.91 | 2.90 | 2.91 | 2.89 | 2.91 |
| LC*0010LBACZ | 2.16 | — | — | — | — | — | 2.97 | 2.94 | 2.94 | 2.94 | 2.91 | 2.94 |
| LC*0010LCACZ | — | — | — | — | — | — | 2.97 | 2.94 | 2.94 | 2.94 | 2.91 | 2.94 |
| LC*0010LDACZ | — | — | — | — | — | — | 2.97 | 2.94 | 2.94 | 2.94 | 2.91 | 2.94 |
| LC*0022LBACZ | — | — | — | — | — | — | 3.09 | 3.04 | 3.04 | 3.06 | 3.02 | 3.07 |
| LC*0022LCACZ | — | — | — | — | — | — | 3.09 | 3.04 | 3.04 | 3.06 | 3.02 | 3.07 |
| LC*0022LDACZ | — | — | — | — | — | — | 3.09 | 3.04 | 3.04 | 3.06 | 3.02 | 3.07 |
| LC*0025LBACZ | — | — | — | X | X | X | 3.15 | 3.14 | 3.13 | X | X | X |
| LC*0025LCACZ | — | — | — | — | X | — | 3.15 | 3.12 | 3.12 | 3.13 | X | 3.14 |
| LC*0025LDACZ | — | — | — | — | X | — | 3.15 | 3.12 | 3.12 | 3.13 | X | 3.14 |
| LC*0030LBACZ | 2.40 | — | — | — | — | X | 3.15 | 3.15 | 3.15 | 3.14 | 3.10 | X |
| LC*0030LCACZ | 2.40 | — | — | — | — | — | 3.15 | 3.15 | 3.15 | 3.15 | 3.13 | 3.15 |
| LC*0030LDACZ | 2.40 | — | — | — | — | — | 3.15 | 3.15 | 3.15 | 3.15 | 3.13 | 3.15 |
| LC*0035LBACZ | — | — | — | — | — | X | 3.15 | 3.15 | 3.15 | — | 3.15 | X |
| LC*0035LCACZ | 2.40 | — | — | — | — | — | 3.15 | 3.15 | 3.15 | 3.15 | 3.15 | 3.15 |
| LC*0035LDACZ | 2.40 | — | — | — | — | — | 3.15 | 3.15 | 3.15 | 3.15 | 3.15 | 3.15 |
| LC*0045LBACZ | 2.40 | — | — | — | 2.40 | X | 3.15 | 3.15 | 3.15 | 3.15 | 3.15 | X |
| LC*0045LCACZ | 2.40 | — | — | — | — | 2.40 | 3.15 | 3.15 | 3.15 | 3.15 | 3.15 | 3.15 |
| LC*0045LDACZ | 2.40 | — | — | — | — | 2.40 | 3.15 | 3.15 | 3.15 | 3.15 | 3.15 | 3.15 |
| LC*0055LBACZ | 2.40 | — | — | — | — | X | 3.15 | 3.15 | 3.15 | 3.15 | 3.15 | X |
| LC*0055LCACZ | 2.40 | — | — | — | — | — | 3.15 | 3.15 | 3.15 | 3.15 | 3.15 | 3.15 |
| LC*0055LDACZ | 2.40 | — | — | — | — | — | 3.15 | 3.15 | 3.15 | 3.15 | 3.15 | 3.15 |
| LC*0060LCACZ | 2.40 | — | — | — | — | — | 3.15 | 3.15 | 3.15 | 3.15 | 3.15 | 3.15 |
| LC*0060LDACZ | 2.40 | — | — | — | — | — | 3.15 | 3.15 | 3.15 | 3.15 | 3.15 | 3.15 |

Notes:

*H = Outdoor, N = Indoor
 X = model not suitable for this refrigerant
 — = model is not DOE AWEF compliant

PERFORMANCE DATA – R-404A/R-507A

Medium Temperature Models - Hermetic Compressors

Please consult AWEF table on page 36 to confirm DOE compliance per model

| R-404A/R-507A | | Capacity BTUH @ 90°F Ambient by SST | | | | | | | |
|---------------|------------|-------------------------------------|--------|--------|--------|--------|--------|--------|--------|
| Model | Compressor | +40°F | +35°F | +30°F | +25°F | +20°F | +15°F | +10°F | +0°F |
| LC*0015M^ACH | CS10K6E | 22,420 | 20,290 | 17,340 | 15,690 | 14,090 | 12,510 | 11,000 | 8,200 |
| LC*0020M^ACH | CS12K6E | 24,730 | 22,550 | 19,860 | 17,980 | 16,170 | 14,440 | 12,750 | 9,680 |
| LC*0025M^ACH | CS14K6E | 28,250 | 25,860 | 21,940 | 20,080 | 18,240 | 16,430 | 14,660 | 11,310 |
| LC*0030M^ACH | CS18K6E | — | — | 30,800 | 28,030 | 25,280 | 22,560 | 19,930 | 14,980 |
| LC*0032M^ACH | CS20K6E | 43,580 | 39,640 | 35,610 | 31,610 | 27,970 | 24,650 | 21,700 | 16,650 |

| R-404A/R-507A | | Capacity BTUH @ 95°F Ambient by SST | | | | | | | |
|---------------|------------|-------------------------------------|--------|--------|--------|--------|--------|--------|--------|
| Model | Compressor | +40°F | +35°F | +30°F | +25°F | +20°F | +15°F | +10°F | +0°F |
| LC*0015M^ACH | CS10K6E | 21,190 | 19,160 | 16,290 | 14,730 | 13,170 | 11,690 | 10,260 | 7,590 |
| LC*0020M^ACH | CS12K6E | 23,440 | 21,320 | 18,720 | 16,930 | 15,200 | 13,520 | 11,920 | 8,990 |
| LC*0025M^ACH | CS14K6E | 26,710 | 24,420 | 20,680 | 18,920 | 17,170 | 15,460 | 13,790 | 10,600 |
| LC*0030M^ACH | CS18K6E | — | — | 29,010 | 26,370 | 23,710 | 21,140 | 18,630 | 13,930 |
| LC*0032M^ACH | CS20K6E | 41,360 | 37,580 | 33,440 | 29,630 | 26,110 | 23,000 | 20,190 | 15,400 |

| R-404A/R-507A | | Capacity BTUH @ 100°F Ambient by SST | | | | | | | |
|---------------|------------|--------------------------------------|--------|--------|--------|--------|--------|--------|--------|
| Model | Compressor | +40°F | +35°F | +30°F | +25°F | +20°F | +15°F | +10°F | +0°F |
| LC*0015M^ACH | CS10K6E | 19,960 | 18,030 | 15,210 | 13,740 | 12,290 | 10,880 | 9,520 | 6,990 |
| LC*0020M^ACH | CS12K6E | 22,120 | 20,100 | 17,600 | 15,890 | 14,200 | 12,620 | 11,100 | 8,300 |
| LC*0025M^ACH | CS14K6E | 25,330 | 23,040 | 19,410 | 17,760 | 16,110 | 14,500 | 12,890 | 9,890 |
| LC*0030M^ACH | CS18K6E | — | — | 27,220 | 24,660 | 22,170 | 19,720 | 17,340 | 12,880 |
| LC*0032M^ACH | CS20K6E | 39,130 | 35,520 | 31,300 | 27,620 | 24,330 | 21,380 | 18,710 | 14,170 |

| R-404A/R-507A | | Capacity BTUH @ 110°F Ambient by SST | | | | | | | |
|---------------|------------|--------------------------------------|--------|--------|--------|--------|--------|--------|--------|
| Model | Compressor | +40°F | +35°F | +30°F | +25°F | +20°F | +15°F | +10°F | +0°F |
| LC*0015M^ACH | CS10K6E | 17,540 | 15,760 | 13,150 | 11,830 | 10,530 | 9,270 | 8,040 | 5,770 |
| LC*0020M^ACH | CS12K6E | 19,500 | 17,680 | 15,320 | 13,780 | 12,280 | 10,840 | 9,470 | 6,960 |
| LC*0025M^ACH | CS14K6E | 22,370 | 20,390 | 16,850 | 15,400 | 13,950 | 12,530 | 11,130 | 8,470 |
| LC*0030M^ACH | CS18K6E | — | — | 23,600 | 21,350 | 19,120 | 16,940 | 14,810 | 10,870 |
| LC*0032M^ACH | CS20K6E | 34,660 | 31,380 | 27,100 | 23,850 | 20,890 | 18,240 | 15,840 | 11,770 |

Notes:

* H = Outdoor, N = Indoor

^ B = 208-230/1/60, C = 208-230/3/60, D = 460/3/60

PERFORMANCE DATA – R-448A/R-449A

Medium Temperature Models - Hermetic Compressors

Please consult AWEF table on page 36 to confirm DOE compliance per model

| R-448A/R-449A | | Capacity BTUH @ 90°F Ambient by SST | | | | | | | |
|---------------|------------|-------------------------------------|-------|--------|--------|--------|--------|--------|--------|
| Model | Compressor | +40°F | +35°F | +30°F | +25°F | +20°F | +15°F | +10°F | +0°F |
| LC*0015M^ACH | CS10K6E | — | — | 15,900 | 14,040 | 12,300 | 10,670 | 9,140 | 6,480 |
| LC*0020M^ACH | CS12K6E | — | — | 17,470 | 15,360 | 13,460 | 11,680 | 10,030 | 7,230 |
| LC*0025M^ACH | CS14K6E | — | — | 19,860 | 17,650 | 15,450 | 13,460 | 11,570 | 8,350 |
| LC*0030M^ACH | CS18K6E | — | — | 27,040 | 23,940 | 21,080 | 18,450 | 16,010 | 11,610 |
| LC*0032M^ACH | CS20K6E | — | — | 30,330 | 27,140 | 24,110 | 21,280 | 18,620 | 13,660 |

| R-448A/R-449A | | Capacity BTUH @ 95°F Ambient by SST | | | | | | | |
|---------------|------------|-------------------------------------|-------|--------|--------|--------|--------|--------|--------|
| Model | Compressor | +40°F | +35°F | +30°F | +25°F | +20°F | +15°F | +10°F | +0°F |
| LC*0015M^ACH | CS10K6E | — | — | 14,990 | 13,220 | 11,540 | 9,960 | 8,510 | 5,950 |
| LC*0020M^ACH | CS12K6E | — | — | 16,490 | 14,550 | 12,700 | 10,990 | 9,420 | 6,770 |
| LC*0025M^ACH | CS14K6E | — | — | 18,820 | 16,640 | 14,600 | 12,660 | 10,860 | 7,860 |
| LC*0030M^ACH | CS18K6E | — | — | 25,560 | 22,590 | 19,850 | 17,330 | 15,000 | 10,790 |
| LC*0032M^ACH | CS20K6E | — | — | 28,810 | 25,760 | 22,840 | 20,110 | 17,530 | 12,720 |

| R-448A/R-449A | | Capacity BTUH @ 100°F Ambient by SST | | | | | | | |
|---------------|------------|--------------------------------------|-------|--------|--------|--------|--------|--------|--------|
| Model | Compressor | +40°F | +35°F | +30°F | +25°F | +20°F | +15°F | +10°F | +0°F |
| LC*0015M^ACH | CS10K6E | — | — | 14,100 | 12,400 | 10,800 | 9,280 | 7,890 | 5,430 |
| LC*0020M^ACH | CS12K6E | — | — | 15,550 | 13,700 | 11,930 | 10,300 | 8,800 | 6,340 |
| LC*0025M^ACH | CS14K6E | — | — | 17,780 | 15,680 | 13,730 | 11,880 | 10,170 | 7,400 |
| LC*0030M^ACH | CS18K6E | — | — | 24,120 | 21,280 | 18,650 | 16,250 | 14,000 | 9,990 |
| LC*0032M^ACH | CS20K6E | — | — | 27,360 | 24,370 | 21,570 | 18,940 | 16,440 | 11,770 |

| R-448A/R-449A | | Capacity BTUH @ 110°F Ambient by SST | | | | | | | |
|---------------|------------|--------------------------------------|-------|--------|--------|--------|--------|--------|-------|
| Model | Compressor | +40°F | +35°F | +30°F | +25°F | +20°F | +15°F | +10°F | +0°F |
| LC*0015M^ACH | CS10K6E | — | — | 12,340 | 10,770 | 9,300 | 7,940 | 6,670 | 4,430 |
| LC*0020M^ACH | CS12K6E | — | — | 13,730 | 12,010 | 10,390 | 8,930 | 7,620 | 5,510 |
| LC*0025M^ACH | CS14K6E | — | — | 15,720 | 13,840 | 12,040 | 10,370 | 8,870 | 6,610 |
| LC*0030M^ACH | CS18K6E | — | — | 21,420 | 18,820 | 16,430 | 14,250 | 12,200 | 8,560 |
| LC*0032M^ACH | CS20K6E | — | — | 24,390 | 21,640 | 19,040 | 16,610 | 14,250 | 9,870 |

Notes:

* H = Outdoor, N = Indoor

^ B = 208-230/1/60, C = 208-230/3/60, D = 460/3/60

PERFORMANCE DATA – R-407A

Medium Temperature Models - Hermetic Compressors

Please consult AWEF table on page 36 to confirm DOE compliance per model

| R-407A | | Capacity BTUH @ 90°F Ambient by SST | | | | | | | |
|--------------|------------|-------------------------------------|-------|--------|--------|--------|--------|--------|--------|
| Model | Compressor | +40°F | +35°F | +30°F | +25°F | +20°F | +15°F | +10°F | +0°F |
| LC*0015M^ACH | CS10K6E | — | — | 15,940 | 14,130 | 12,440 | 10,860 | 9,370 | 6,750 |
| LC*0020M^ACH | CS12K6E | — | — | 17,630 | 15,680 | 13,810 | 12,060 | 10,420 | 7,510 |
| LC*0025M^ACH | CS14K6E | — | — | 19,910 | 17,740 | 15,640 | 13,680 | 11,830 | 8,570 |
| LC*0030M^ACH | CS18K6E | — | — | 28,190 | 24,630 | 21,410 | 18,530 | 15,900 | 11,430 |
| LC*0032M^ACH | CS20K6E | — | — | 31,100 | 27,570 | 24,300 | 21,340 | 18,610 | 13,690 |

| R-407A | | Capacity BTUH @ 95°F Ambient by SST | | | | | | | |
|--------------|------------|-------------------------------------|-------|--------|--------|--------|--------|--------|--------|
| Model | Compressor | +40°F | +35°F | +30°F | +25°F | +20°F | +15°F | +10°F | +0°F |
| LC*0015M^ACH | CS10K6E | — | — | 15,010 | 13,280 | 11,660 | 10,160 | 8,730 | 6,220 |
| LC*0020M^ACH | CS12K6E | — | — | 16,570 | 14,730 | 12,950 | 11,280 | 9,700 | 6,950 |
| LC*0025M^ACH | CS14K6E | — | — | 18,790 | 16,680 | 14,720 | 12,840 | 11,080 | 7,990 |
| LC*0030M^ACH | CS18K6E | — | — | 26,640 | 23,210 | 20,110 | 17,340 | 14,820 | 10,600 |
| LC*0032M^ACH | CS20K6E | — | — | 29,450 | 26,090 | 22,970 | 20,120 | 17,490 | 12,710 |

| R-407A | | Capacity BTUH @ 100°F Ambient by SST | | | | | | | |
|--------------|------------|--------------------------------------|-------|--------|--------|--------|--------|--------|--------|
| Model | Compressor | +40°F | +35°F | +30°F | +25°F | +20°F | +15°F | +10°F | +0°F |
| LC*0015M^ACH | CS10K6E | — | — | 14,080 | 12,430 | 10,890 | 9,430 | 8,090 | 5,710 |
| LC*0020M^ACH | CS12K6E | — | — | 15,580 | 13,790 | 12,100 | 10,490 | 9,020 | 6,410 |
| LC*0025M^ACH | CS14K6E | — | — | 17,700 | 15,650 | 13,810 | 12,020 | 10,340 | 7,430 |
| LC*0030M^ACH | CS18K6E | — | — | 25,080 | 21,780 | 18,810 | 16,140 | 13,780 | 9,820 |
| LC*0032M^ACH | CS20K6E | — | — | 27,890 | 24,620 | 21,630 | 18,900 | 16,370 | 11,730 |

| R-407A | | Capacity BTUH @ 110°F Ambient by SST | | | | | | | |
|--------------|------------|--------------------------------------|-------|--------|--------|--------|--------|--------|-------|
| Model | Compressor | +40°F | +35°F | +30°F | +25°F | +20°F | +15°F | +10°F | +0°F |
| LC*0015M^ACH | CS10K6E | — | — | 12,280 | 10,780 | 9,360 | 8,060 | 6,840 | 4,680 |
| LC*0020M^ACH | CS12K6E | — | — | 13,550 | 11,950 | 10,410 | 9,000 | 7,700 | 5,400 |
| LC*0025M^ACH | CS14K6E | — | — | 15,460 | 13,720 | 12,010 | 10,410 | 8,900 | 6,380 |
| LC*0030M^ACH | CS18K6E | — | — | 21,990 | 18,980 | 16,250 | 13,890 | 11,800 | 8,440 |
| LC*0032M^ACH | CS20K6E | — | — | 24,670 | 21,700 | 18,970 | 16,430 | 14,090 | 9,770 |

Notes:
 * H = Outdoor, N = Indoor
 ^ B = 208-230/1/60, C = 208-230/3/60, D = 460/3/60

PERFORMANCE DATA – R-404A/R-507A

Low Temperature Models - Hermetic Compressors

Please consult AWEF table on page 36 to confirm DOE compliance per model

| R-404A/R-507A | | Capacity BTUH @ 90°F Ambient by SST | | | | | | |
|---------------|------------|-------------------------------------|--------|--------|--------|--------|--------|-------|
| Model | Compressor | 0°F | -5°F | -10°F | -15°F | -20°F | -25°F | -30°F |
| LC*0011L^ACH | CF04K6E | 7,700 | 6,660 | 5,690 | 4,830 | 4,040 | 3,320 | 2,670 |
| LC*0014L^ACH | CF06K6E | 11,020 | 9,790 | 8,580 | 7,390 | 6,290 | 5,280 | 4,360 |
| LC*0019L^ACH | CF06K6E | 12,510 | 10,980 | 9,500 | 8,130 | 6,860 | 5,720 | 4,690 |
| LC*0025L^ACH | CF09K6E | 17,180 | 15,230 | 13,390 | 11,620 | 9,980 | 8,440 | 7,010 |
| LC*0031L^ACH | CF12K6E | 20,580 | 18,450 | 16,400 | 14,440 | 12,580 | 10,770 | 9,040 |

| R-404A/R-507A | | Capacity BTUH @ 95°F Ambient by SST | | | | | | |
|---------------|------------|-------------------------------------|--------|--------|--------|--------|-------|-------|
| Model | Compressor | 0°F | -5°F | -10°F | -15°F | -20°F | -25°F | -30°F |
| LC*0011L^ACH | CF04K6E | 7,170 | 6,190 | 5,290 | 4,470 | 3,730 | 3,060 | 2,450 |
| LC*0014L^ACH | CF06K6E | 10,340 | 9,150 | 8,000 | 6,860 | 5,820 | 4,850 | 3,990 |
| LC*0019L^ACH | CF06K6E | 11,740 | 10,260 | 8,870 | 7,560 | 6,340 | 5,250 | 4,270 |
| LC*0025L^ACH | CF09K6E | 16,150 | 14,280 | 12,520 | 10,830 | 9,260 | 7,800 | 6,440 |
| LC*0031L^ACH | CF12K6E | 19,330 | 17,320 | 15,370 | 13,510 | 11,700 | 9,990 | 8,330 |

| R-404A/R-507A | | Capacity BTUH @ 100°F Ambient by SST | | | | | | |
|---------------|------------|--------------------------------------|--------|--------|--------|--------|-------|-------|
| Model | Compressor | 0°F | -5°F | -10°F | -15°F | -20°F | -25°F | -30°F |
| LC*0011L^ACH | CF04K6E | 6,640 | 5,710 | 4,880 | 4,110 | 3,420 | 2,800 | 2,220 |
| LC*0014L^ACH | CF06K6E | 9,640 | 8,510 | 7,400 | 6,350 | 5,350 | 4,440 | 3,620 |
| LC*0019L^ACH | CF06K6E | 10,950 | 9,560 | 8,230 | 6,990 | 5,840 | 4,800 | 3,870 |
| LC*0025L^ACH | CF09K6E | 15,130 | 13,350 | 11,640 | 10,050 | 8,560 | 7,170 | 5,890 |
| LC*0031L^ACH | CF12K6E | 18,160 | 16,200 | 14,350 | 12,580 | 10,850 | 9,220 | 7,620 |

| R-404A/R-507A | | Capacity BTUH @ 110°F Ambient by SST | | | | | | |
|---------------|------------|--------------------------------------|--------|--------|--------|-------|-------|-------|
| Model | Compressor | 0°F | -5°F | -10°F | -15°F | -20°F | -25°F | -30°F |
| LC*0011L^ACH | CF04K6E | 5,540 | 4,750 | 4,030 | 3,370 | 2,780 | 2,250 | 1,780 |
| LC*0014L^ACH | CF06K6E | 8,230 | 7,230 | 6,260 | 5,330 | 4,460 | 3,660 | 2,930 |
| LC*0019L^ACH | CF06K6E | 9,410 | 8,160 | 6,990 | 5,890 | 4,860 | 3,940 | 3,130 |
| LC*0025L^ACH | CF09K6E | 13,130 | 11,490 | 9,970 | 8,540 | 7,200 | 5,960 | 4,820 |
| LC*0031L^ACH | CF12K6E | 15,760 | 14,020 | 12,330 | 10,740 | 9,210 | 7,720 | 6,280 |

Notes:

* H = Outdoor, N = Indoor

^ B = 208-230/1/60, C = 208-230/3/60, D = 460/3/60

UNIT SPECIFICATIONS

Medium & Low Temperature Models - Hermetic Compressors

Please consult AWEF table on page 36 to confirm DOE compliance per model

| Model | Compressor | Refrigerant Line Connections (OD) | | Rec. Capacity @90% full (lbs) | | Cabinet ^h | Dimensions (In.) | | | Net Wt. | Sound Data |
|--------------|------------|-----------------------------------|---------|-------------------------------|-----|----------------------|------------------|--------|--------|---------|------------------|
| | | Liquid | Suction | Std | Opt | | Depth | Width | Height | (lbs.) | dBa ^a |
| LC*0015M^ACH | CS10K6E | 1/2 | 7/8 | 14 | 20 | C2 | 28.25 | 39.125 | 19.75 | 213 | 64 |
| LC*0020M^ACH | CS12K6E | 1/2 | 7/8 | 14 | 20 | C2 | 28.25 | 39.125 | 19.75 | 223 | 64 |
| LC*0025M^ACH | CS14K6E | 1/2 | 7/8 | 14 | 20 | C2 | 28.25 | 39.125 | 19.75 | 228 | 64 |
| LC*0030M^ACH | CS18K6E | 1/2 | 7/8 | 20 | 40 | C3 | 30.25 | 43.875 | 29.25 | 300 | 64 |
| LC*0032M^ACH | CS20K6E | 1/2 | 7/8 | 20 | 40 | C3 | 30.25 | 43.875 | 29.25 | 305 | 64 |
| LC*0011L^ACH | CF04K6E | 3/8 | 5/8 | 9 | — | C1 | 28.25 | 24.625 | 19.75 | 154 | 62 |
| LC*0014L^ACH | CF06K6E | 3/8 | 5/8 | 9 | — | C1 | 28.25 | 24.625 | 19.75 | 185 | 62 |
| LC*0019L^ACH | CF06K6E | 1/2 | 7/8 | 14 | 20 | C2 | 28.25 | 39.125 | 19.75 | 220 | 64 |
| LC*0025L^ACH | CF09K6E | 1/2 | 7/8 | 14 | 20 | C2 | 28.25 | 39.125 | 19.75 | 242 | 64 |
| LC*0031L^ACH | CF12K6E | 1/2 | 7/8 | 14 | 20 | C2 | 28.25 | 39.125 | 19.75 | 235 | 64 |

Notes:

* H = Outdoor, N = Indoor

^ B = 208-230/1/60, C = 208-230/3/60, D = 460/3/60

a. Estimated sound pressure values are 10 feet from the unit. For estimating sound pressure from the unit at different distances, deduct the following from the unit values: 20 feet, deduct 6 dBA; for 40 feet, deduct 12 dBA; for 80 feet, deduct 18 dBA. This data is typical of "free field" conditions for horizontal air cooled condensing units at the outlet of the discharge air. The actual sound measurements may vary depending on the condensing unit installation. Factors such as reflecting walls, background noise and mounting conditions may have a significant influence on this data.

h. See Page 39 for dimensional drawings

ELECTRICAL DATA

Medium & Low Temperature Models - Hermetic Compressors

Please consult AWEF table on page 36 to confirm DOE compliance per model

| Model | Compressor | Power ^d | Remote Loads | | | | | | | | | |
|--------------|-------------|--------------------|------------------|-------|-----------|-----|----------------------------------|------|----------------|--------------------|------------------|------|
| | | | Compressor | | Condenser | | Air Defrost or Remote Controller | | Evap. Fan Amps | Defrost Htrs. Amps | Electric Defrost | |
| | | | RLA ^c | LRA | No. Fans | FLA | MCA | MOPD | | | MCA | MOPD |
| LC*0015MBACH | CS10K6E-PFV | 208-230/1/60 | 11.1 | 56.0 | 2 | 1 | 15.0 | 25.0 | 10 | 30 | 37.5 | 40 |
| LC*0015MCACH | CS10K6E-TF5 | 208-230/3/60 | 7.2 | 51.0 | 2 | 1 | 15.0 | 15.0 | 9 | 23 | 28.8 | 30 |
| LC*0020MBACH | CS12K6E-PFV | 208-230/1/60 | 9.8 | 56.0 | 2 | 1 | 15.0 | 20.0 | 10 | 30 | 37.5 | 40 |
| LC*0020MCACH | CS12K6E-TF5 | 208-230/3/60 | 6.7 | 51.0 | 2 | 1 | 15.0 | 15.0 | 9 | 23 | 28.8 | 30 |
| LC*0025MBACH | CS14K6E-PFV | 208-230/1/60 | 12.4 | 61.0 | 2 | 1 | 20.0 | 25.0 | 10 | 30 | 37.5 | 40 |
| LC*0025MCACH | CS14K6E-TF5 | 208-230/3/60 | 8.5 | 55.0 | 2 | 1 | 15.0 | 20.0 | 9 | 23 | 28.8 | 30 |
| LC*0030MBACH | CS18K6E-PFV | 208-230/1/60 | 14.4 | 82.0 | 1 | 3.5 | 21.4 | 35.0 | 10 | 30 | 37.5 | 45 |
| LC*0030MCACH | CS18K6E-TF5 | 208-230/3/60 | 9.4 | 65.5 | 1 | 3.5 | 20.0 | 20.0 | 10 | 30 | 37.5 | 40 |
| LC*0030MDACH | CS18K6E-TFD | 460/3/60 | 4.2 | 33.0 | 1 | 1.9 | 15.0 | 15.0 | 9 | 23 | 28.8 | 30 |
| LC*0032MBACH | CS20K6E-PFV | 208-230/1/60 | 17.9 | 96.0 | 1 | 3.5 | 25.9 | 40.0 | 10 | 30 | 37.5 | 50 |
| LC*0032MCACH | CS20K6E-TF5 | 208-230/3/60 | 13.3 | 75.0 | 1 | 3.5 | 20.2 | 30.0 | 10 | 30 | 37.5 | 40 |
| LC*0032MDACH | CS20K6E-TFD | 460/3/60 | 4.6 | 40.0 | 1 | 1.9 | 15.0 | 15.0 | 9 | 23 | 28.8 | 30 |
| LC*0011LBACH | CF04K6E-PFV | 208-230/1/60 | 8.6 | 59.2 | 1 | 0.5 | 15.0 | 15.0 | 5 | 15 | 20 | 20 |
| LC*0011LCACH | CF04K6E-TF5 | 208-230/3/60 | 5.7 | 52.0 | 1 | 0.5 | 15.0 | 15.0 | 5 | 15 | 20 | 20 |
| LC*0014LBACH | CF06K6E-PFV | 208-230/1/60 | 10.3 | 59.2 | 1 | 0.5 | 15.0 | 20.0 | 5 | 15 | 20 | 25 |
| LC*0014LCACH | CF06K6E-TF5 | 208-230/3/60 | 6.3 | 52.0 | 1 | 0.5 | 15.0 | 15.0 | 5 | 15 | 20 | 20 |
| LC*0019LBACH | CF06K6E-PFV | 208-230/1/60 | 10.3 | 59.2 | 2 | 1 | 15.0 | 20.0 | 10 | 30 | 37.5 | 40 |
| LC*0019LCACH | CF06K6E-TF5 | 208-230/3/60 | 6.3 | 52.0 | 2 | 1 | 15.0 | 15.0 | 9 | 23 | 28.8 | 30 |
| LC*0025LBACH | CF09K6E-PFV | 208-230/1/60 | 15.0 | 87.0 | 2 | 1 | 20.0 | 30.0 | 10 | 30 | 37.5 | 40 |
| LC*0025LCACH | CF09K6E-TF5 | 208-230/3/60 | 9.2 | 72.2 | 2 | 1 | 15.0 | 20.0 | 9 | 23 | 28.8 | 30 |
| LC*0031LBACH | CF12K6E-PFV | 208-230/1/60 | 18.4 | 105.0 | 2 | 1 | 24.0 | 40.0 | 10 | 30 | 37.5 | 50 |
| LC*0031LCACH | CF12K6E-TF5 | 208-230/3/60 | 11.0 | 85.0 | 2 | 1 | 15.0 | 25.0 | 9 | 23 | 28.8 | 30 |
| LC*0031LDACH | CF12K6E-TFD | 460/3/60 | 5.9 | 42.0 | 2 | 1 | 15.0 | 15.0 | b | b | 15 | 15 |

Notes:

* H = Outdoor, N = Indoor

b. Power supplied by customer

c. Per UL and NEC, RLA values have been calculated by dividing the Maximum Continuous Current (MCC) by 1.56.

d. Unless otherwise noted, model is available for 50 Hz. Consult factory for details.

AWEF DATA – MEDIUM TEMPERATURE

Hermetic Compressor Models - Indoor/Outdoor

If model has a numerical value in the table below, the following statement applies:

“This refrigeration system is designed and certified for use in walk-in cooler applications.”

| Model | Indoor | | | | | | Outdoor | | | | | |
|--------------|-------------------|--------|--------|--------|--------|--------|-------------------|--------|--------|--------|--------|--------|
| | R-404A/ R-507A | R-448A | R-449A | R-407A | R-407C | R-407F | R-404A/ R-507A | R-448A | R-449A | R-407A | R-407C | R-407F |
| LC*0015MBACH | — | — | — | — | X | X | 7.60 | 7.60 | 7.60 | 7.60 | X | X |
| LC*0015MCACH | — | — | — | — | X | X | 7.60 | 7.60 | 7.60 | 7.60 | X | X |
| LC*0020MBACH | — | X | X | X | X | X | 7.60 | X | X | X | X | X |
| LC*0020MCACH | — | — | — | — | X | X | 7.60 | 7.60 | 7.60 | 7.60 | X | X |
| LC*0025MBACH | — | — | — | — | X | X | 7.60 | 7.60 | 7.60 | 7.60 | X | X |
| LC*0025MCACH | — | — | — | — | X | X | 7.60 | 7.60 | 7.60 | 7.60 | X | X |
| LC*0030MBACH | 5.61 | — | — | — | X | X | 7.60 | 7.60 | 7.60 | 7.60 | X | X |
| LC*0030MCACH | 5.61 | 5.61 | 5.61 | — | X | X | 7.60 | 7.60 | 7.60 | 7.60 | X | X |
| LC*0030MDACH | 5.61 | 5.61 | 5.61 | 5.61 | X | X | 7.60 | 7.60 | 7.60 | 7.60 | X | X |
| LC*0032MBACH | 5.61 | — | — | — | X | X | 7.60 | 7.60 | 7.60 | 7.60 | X | X |
| LC*0032MCACH | 5.61 | 5.61 | 5.61 | — | X | X | 7.60 | 7.60 | 7.60 | 7.60 | X | X |
| LC*0032MDACH | 5.61 | 5.61 | 5.61 | — | X | X | 7.60 | 7.60 | 7.60 | 7.60 | X | X |

AWEF DATA – LOW TEMPERATURE

Hermetic Compressor Models - Indoor/Outdoor

If model has a numerical value in the table below, the following statement applies:

“This refrigeration system is designed and certified for use in walk-in freezer applications.”

| Model | Indoor | | | | | | Outdoor | | | | | |
|--------------|-------------------|--------|--------|--------|--------|--------|-------------------|--------|--------|--------|--------|--------|
| | R-404A/ R-507A | R-448A | R-449A | R-407A | R-407C | R-407F | R-404A/ R-507A | R-448A | R-449A | R-407A | R-407C | R-407F |
| LC*0011LBACH | 2.06 | X | X | X | X | X | 2.89 | X | X | X | X | X |
| LC*0011LCACH | 2.05 | X | X | X | X | X | 2.88 | X | X | X | X | X |
| LC*0014LBACH | — | X | X | X | X | X | 2.99 | X | X | X | X | X |
| LC*0014LCACH | 2.19 | X | X | X | X | X | 2.98 | X | X | X | X | X |
| LC*0019LBACH | — | X | X | X | X | X | 3.02 | X | X | X | X | X |
| LC*0019LCACH | — | X | X | X | X | X | 3.01 | X | X | X | X | X |
| LC*0025LBACH | — | X | X | X | X | X | — | X | X | X | X | X |
| LC*0025LCACH | — | X | X | X | X | X | 3.13 | X | X | X | X | X |
| LC*0031LBACH | — | X | X | X | X | X | — | X | X | X | X | X |
| LC*0031LCACH | — | X | X | X | X | X | 3.15 | X | X | X | X | X |
| LC*0031LDACH | — | X | X | X | X | X | 3.15 | X | X | X | X | X |



www.interlinkparts.com
800.686.7278

Right source. Right parts. Right now.

InterLink™ is your link to a complete line of dependable and certified commercial refrigeration parts, accessories and innovative electronic controls for all Larkin equipment. At InterLink, we provide our wholesalers with a comprehensive selection of product solutions and innovative technologies for the installed customer base. And every product is built to ensure the same high performance standards with which all Heatcraft Refrigeration Products brands are built — backed by a dedicated team to serve every customer need, delivering at the best lead times in the industry.

Dependable. Versatile. Courteous.

Finally, one simple source for all your replacement needs from a name you can trust.

REPLACEMENT PARTS

| Replacement Parts | | | | |
|------------------------------|-----------------|-----------------|-----------------|------------------------------|
| Item | Cabinet | | | |
| | C1 | C2 | C3 | |
| PSC Motor | N/A | 25309101, 230/1 | 25309001, 230/1 | 25309002, 460/1 |
| PSC Motor Capacitor | N/A | N/A | 5779G | 5599M |
| FSEC Motor | 25322401, 230/1 | 25322401, 230/1 | 25319102, 230/1 | 25319102, 230/1 ^f |
| VSEC Motor | 25319201, 230/1 | 25319201, 230/1 | 25319102, 230/1 | 25319102, 230/1 ^f |
| Fan Blade | 22901601, 14" | 22901601, 14" | 7173156, 22" | |
| Orbus Controller | 28962001 | 28962001 | 28962001 | |
| Orbus Transducer, 0-500 psis | 28911204 | 28911204 | 28911204 | |
| Orbus Transducer Harness | 22515101 | 22515101 | 22515101 | |
| Smart Defrost Kit (SDK) | 28999301 | 28999301 | 28999301 | |
| SDK Temperature Sensor | 28902301 | 28902301 | 28902301 | |
| SDK Transducer, 0-300 psia | 28911202 | 28911202 | 28911202 | |
| SDK Transducer Harness | 28915901 | 28915901 | 28915901 | |
| Microchannel Coil, Uncoated | 59517503 | 59517603 | 59517703 | |
| Microchannel Coil, Coated | 59517504 | 59517604 | 59517704 | |
| Grille | 24104001 | 24104101 | 24104201 | |

Notes:
 f = 460/230V transformer is used in unit

REPLACEMENT PARTS

LG Scroll Compressors

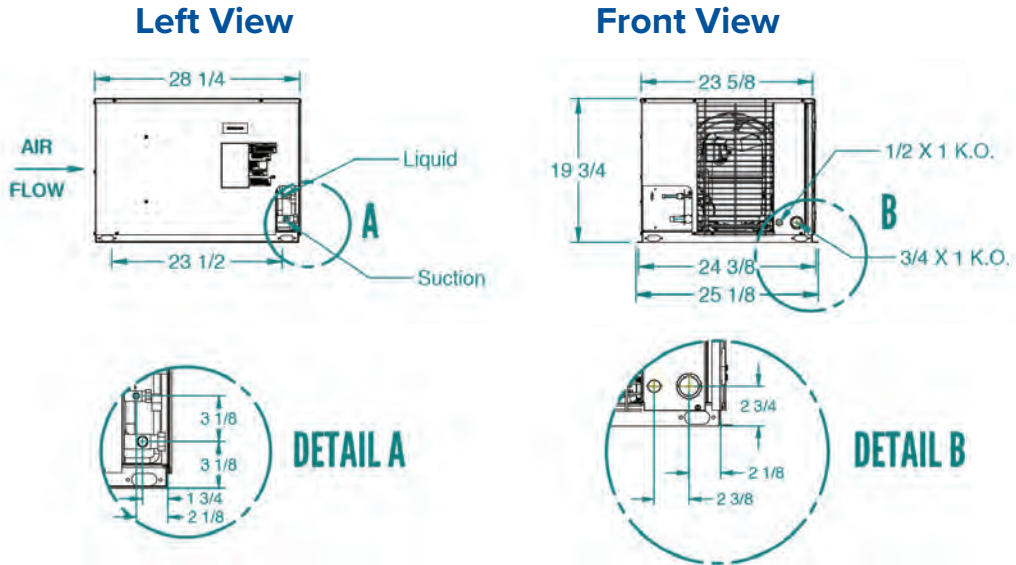
| Unit Model Number | Compressor Model | Service Part Number |
|-------------------|-------------------|---------------------|
| LC*0010MBALZ | MPA010KAA.A58LEXS | 21518201S |
| LC*0010MCALZ | MPA010RAA.A58LEXS | 21518202S |
| LC*0010MDALZ | MPA010SAA.A58LEXS | 21518203S |
| LC*0015MBALZ | MPA013KAA.A58LEXS | 21518204S |
| LC*0015MCALZ | MPA013RAA.A58LEXS | 21518205S |
| LC*0015MDALZ | MPA013SAA.A58LEXS | 21518206S |
| LC*0020MBALZ | MPA015KAA.A58LEXS | 21518207S |
| LC*0020MCALZ | MPA015RAA.A58LEXS | 21518208S |
| LC*0020MDALZ | MPA015SAA.A58LEXS | 21518209S |
| LC*0025MBALZ | MPA019KAA.A58LEXS | 21518210S |
| LC*0025MCALZ | MPA019RAA.A58LEXS | 21518211S |
| LC*0025MDALZ | MPA019SAA.A58LEXS | 21518212S |
| LC*0030MBALZ | MBA021KAA.A58LEXS | 21518213S |
| LC*0030MCALZ | MBA021RAA.A58LEXS | 21518214S |
| LC*0030MDALZ | MBA021SAA.A58LEXS | 21518215S |

| Unit Model Number | Compressor Model | Service Part Number |
|-------------------|-------------------|---------------------|
| LC*0035MBALZ | MBA026KAA.A58LEXS | 21518216S |
| LC*0035MCALZ | MBA026RAA.A58LEXS | 21518217S |
| LC*0035MDALZ | MBA026SAA.A58LEXS | 21518218S |
| LC*0045MBALZ | MBA029KAA.A58LEXS | 21518219S |
| LC*0045MCALZ | MBA029RAA.A58LEXS | 21518220S |
| LC*0045MDALZ | MBA029SAA.A58LEXS | 21518221S |
| LC*0050MBALZ | MBA033KAA.A58LEXS | 21518222S |
| LC*0050MCALZ | MBA033RAA.A58LEXS | 21518223S |
| LC*0050MDALZ | MBA033SAA.A58LEXS | 21518224S |
| LC*0055MBALZ | MRA038KAA.A58LEXS | 21518225S |
| LC*0055MCALZ | MRA038RAA.A58LEXS | 21518226S |
| LC*0055MDALZ | MRA038SAA.A58LEXS | 21518227S |
| LC*0060MCALZ | MRA045RAA.A58LEXS | 21518228S |
| LC*0060MDALZ | MRA045SAA.A58LEXS | 21518229S |

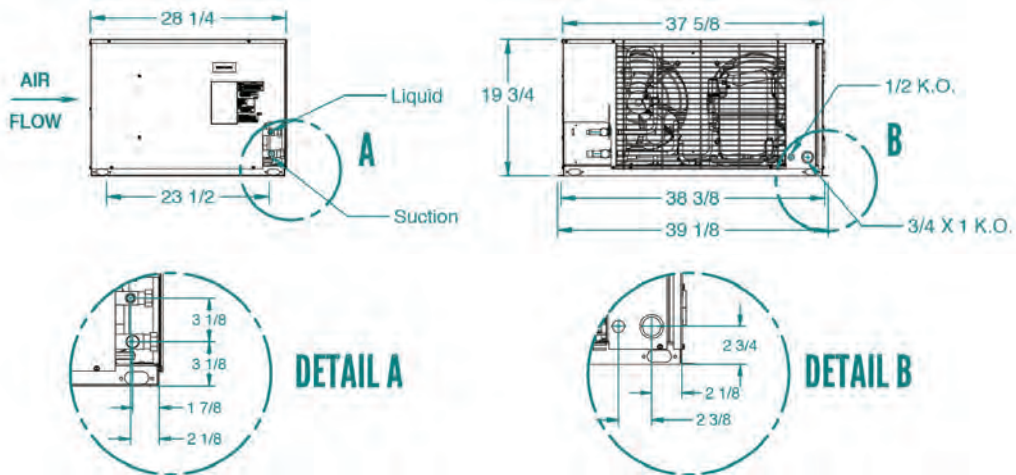
DIMENSIONAL DRAWINGS

Outdoor

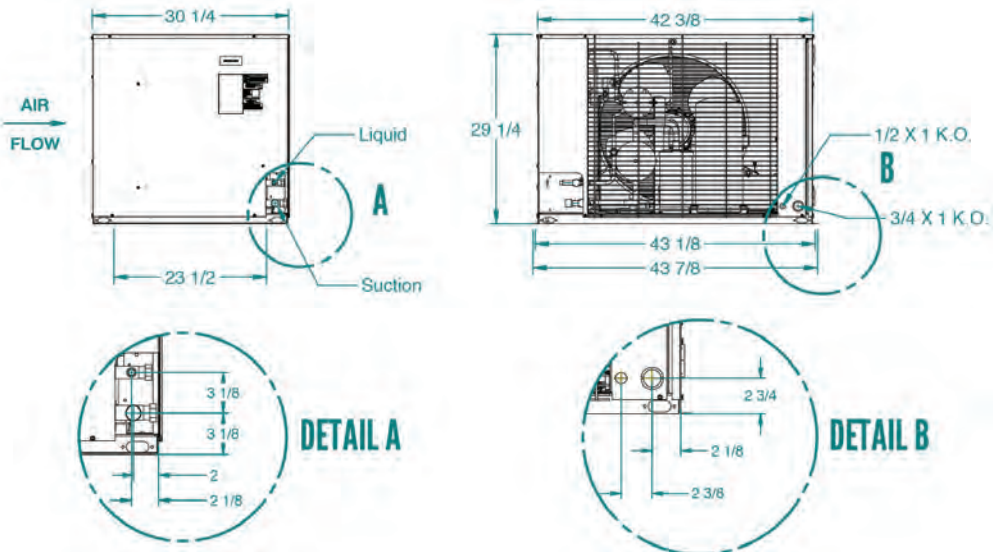
C1



C2



C3





2175 West Park Place Blvd.

Stone Mountain, GA 30087

Phone: 800.537.7775 · Fax: 770.465.5900

heatcraftprd.com

Since product improvement is a continuing effort, we reserve the right to make changes in specifications without notice.

LK-HTS-0320 | Version 001

©2020 Heatcraft Refrigeration Products LLC