

**Carbon/Stainless  
Thread Sealants  
Add-A-Valve®**



**Low Pressure  
Ball Valves  
Lockwings**



**PVC  
Lead Free  
Actuation**



**Butterfly Valves  
Basket Strainers  
Dielectric Unions**

# Product Catalog

# Table of Contents

<b>Lead Free Brass Valves</b>	S-521G.....	48	T-83C.....	92
JP-100G.....	T-511G.....	49	JF-100T-FL.....	93
JP-100G XLC.....	S-511G.....	50	JF-100S-FL.....	94
JP-100SSG.....	P-501G.....	51	T-600-4B.....	95
T-100CG.....	T-501G.....	52	S-600-4B.....	96
S-100CG.....	S-501G.....	53		
T-100CSSG.....	T-301G.....	54	<b>Medical Gas Ball Valves</b>	
S-100CSSG.....	S-301G.....	55	S-650-CE-4B.....	97
TWV-3W-KIT-G.....	T-621G.....	56	S-675-GP-4B.....	98
PRV.....	T-622G.....	57	S-675-DGP-4B.....	99
TWV-3W-KIT-G1.....	T-623G.....	58		
CPRV.....	T-624G.....	59	<b>Gas Ball Valves</b>	
TGG.....	T-601G.....	60	T-204DU FIP x FIP.....	101
T-100-UEG.....	S-601G.....	61	T-204DU FIP x FL.....	102
T-82-MG.....	T-611G.....	62	T-204DU MIP x FIP.....	103
JF-100TG.....	S-611G.....	63	T-204DU MIP x FL.....	104
JF-100SG.....	T-612G.....	64	T-204 FIP x FIP.....	105
T-150G.....	T-641G.....	65	T-204 FL x FL.....	106
S-150G.....	S-641G.....	66	T-204 FL x FIP.....	107
JF-100TG-LH.....	T-632G.....	67	T-204 MIP x FL.....	108
JF-100SG-LH.....	T-632NKG.....	68	T-203DU FIP x FIP.....	109
JP-150G.....	T-540G.....	69	T-203DU FIP x FL.....	110
T-110G.....	T-653G.....	70	T-203DU MIP x FIP.....	111
S-110G.....	T-654G.....	70	T-203DU MIP x FL.....	112
JP-110G.....			T-203 FIP x FIP.....	113
JF-100GMxF.....	<b>Add-A-Valve</b>		T-203 FL x FL.....	114
T-422G.....	Lead Free Add-A-Valve.....	71	T-203 FL x FIP.....	115
S-422G.....	Add-A-Valve.....	100	LP DU.....	116
T-422G MIP.....			T-205.....	117
T-422G FIP.....	<b>Brass Ball Valves</b>		T-2005C.....	118
T-423G.....	T-100NE.....	72	T-2004C.....	119
T-412G.....	S-100NE.....	73		
S-412G.....	T-100NE-LH.....	74	<b>Lockwings</b>	
T-412G MIP.....	T-100SSE.....	75	175-LWN.....	120
T-412G FIP.....	JP-100.....	76	175-LWIN.....	121
T-413G.....	JP-100 XLC.....	77	125-LWN.....	122
JFPG-100.....	T-100FMN.....	78	175-LWIBP.....	123
C-402G.....	T-100STN.....	79	125-LWIBP.....	124
T-100HFG.....	T-100SSS.....	80	175-LWMBP.....	125
S-100HSG.....	T-100-UE.....	81	125-LWBP.....	126
P-100HPG.....	S-100-DUE.....	82	125-LWUBP.....	127
T-83CG.....	T-82-M.....	83	125-LWBP-S.....	128
	T-100P-SS-WS.....	84	125-LWBP-SA.....	129
	T-100FB.....	85	175-LWIBP Brass Commercial.....	130
	T-84-M.....	86	175-LWIBP TEA Commercial.....	131
	JF-100T.....	87	175-LWBP Brass Commercial.....	132
	JF-100S.....	88	175-LWBP TEA Commercial.....	133
	JF-100T-LH.....	89	175-LWIBP-EXT.....	134
	JF-100S-LH.....	90	Extended Male Tail Piece.....	134
	JF-100TFM.....	91		
<b>Lead Free Dielectric Unions</b>				
Brass Solder x Galvanized.....				
Brass FIP x Galvanized FIP.....				
<b>Lead Free Low Pressure Valves</b>				
T-521G.....				

# Table of Contents

<b><u>Thread Sealant</u></b>		<b><u>Actuation</u></b>		<b><u>Basket Strainers</u></b>	
White Stuff.....	135	AE-180.....	177	SS-306.....	226
Green Stuff.....	136	AE-350.....	179	SS-304.....	227
Heavyweight.....	137	AE-700.....	181	SS-305.....	228
WOG Plus.....	138	AE-700M.....	183	SS-410.....	229
Hi-Temp.....	139	AE-880.....	185	SS-420.....	230
		AE-880M.....	187	SS-440.....	231
		AE-1400 - 9700.....	189	SS-430.....	232
<b><u>Butterfly Valves</u></b>		JV Series Actuators.....	192	BS-323-DBS.....	233
BFV-Lug.....	140	AEP.....	195	SS-308.....	234
BFV-Wafer.....	141	APP.....	195	SS-310.....	235
BFV-Lever Handle.....	142	ASV.....	195	SS401.....	236
BFV-Worm Gear Operator.....	142	ASM.....	196	SS406.....	237
		T-100 Direct Mount Series.....	197	SS400.....	238
<b><u>Cast Iron Valves</u></b>		A101.....	198	SS404.....	239
F-361.....	143	A751T/L.....	199	SS405.....	240
F-351.....	144	A2020D.....	200	SS409.....	241
F-571.....	145	A1001.....	201	SS410.....	242
F-591.....	146	A1000.....	202	Basket Strainer Parts.....	243
F-651.....	147	A2000.....	203		
		A9000TD.....	204	<b><u>Valve Accessories</u></b>	
<b><u>Carbon Steel Ball Valves</u></b>		A850T/L.....	205	Memory Stop.....	244
FL-CS-100-300.....	148	A-766L.....	206	Lift-n-Lock.....	245
FL-CS-100-150.....	149			Stem Extension.....	245
T-CS-4000.....	150	<b><u>Low Pressure Valves</u></b>		Slo-Ball Handle Long.....	246
T-CS-2002N-SS-DUE.....	151	T-511.....	207	Neck T-Handle.....	246
S-CS-2002N-SS-DUE.....	152	S-511.....	208		
T-CS-2001N-SS-4B.....	153	T-550.....	209		
S-CS-2001N-SS-4B.....	154	T-501.....	210		
T-CS-2000N-SS.....	155	S-501.....	211		
T-CS-1000N-SS-4B.....	156	T-301.....	212		
S-CS-1000N-SS-4B.....	157	S-301.....	213		
T-CS-1001N-SS.....	158	T-621.....	214		
<b><u>Stainless Steel Ball Valves</u></b>		<b><u>Thermoplastics / CPVC &amp; PVC</u></b>			
FL-SS-100-300.....	159	<b><u>Valves</u></b>			
FL-SS-100-150.....	160	T/S-703.....	215		
T-SS-2002N-DUE.....	161	T-701.....	216		
S-SS-2002N-DUE.....	162	S-701.....	217		
T-SS-2001N-4B.....	163	S-605.....	218		
S-SS-2001N-4B.....	164	T-711.....	219		
T-SS-2000N.....	165	S-711.....	220		
T-SS-2000N-MF.....	166	S-700.....	221		
T-SS-2000N-DH.....	167				
T-SS-1000N-4B.....	168	<b><u>Dielectric Unions</u></b>			
S-SS-1000N-4B.....	173	Brass Solder x Galvanized.....	222		
T-SS-1001N.....	174	Black Iron FIP x FIP.....	223		
T-SS-900N.....	175	Galvanized FIP x FIP.....	224		
T-SS-1000.....	176	Brass FIP x Galvanized FIP.....	225		

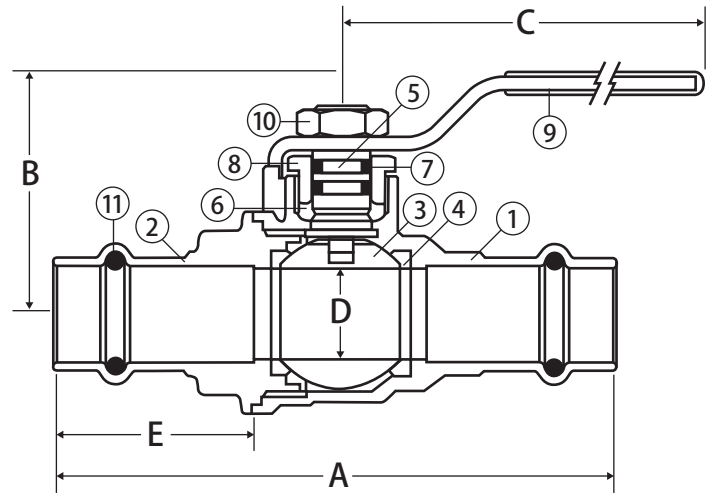
# Lead Free Brass Ball Valve



2 Piece • Full Port • Press Connection • 250 WOG



JP-100G\*



## Features

- Dezincification resistant brass alloy
- Triple sealing stem with 2 Viton® o-rings and Teflon® seal
- Blow-out proof stem
- 100% leak tested
- 100% Made in Italy
- Leakproof stem - Lifetime Warranty
- Wetted surfaces contain less than .25% lead content
- Accessories available

## Approvals

- NSF 372
- NSF 61-8
- NSF 61 - Annex G
- Conforms to IAPMO PS 117

## Pressure/Temperature Rating

- 250 WOG
- Max. 250° F

**WARNING:** This product can expose you to chemicals including lead, which is known to the State of California to cause cancer, and lead, which is known to the State of California to cause birth defects or other reproductive harm. For more information go to [www.P65Warnings.ca.gov](http://www.P65Warnings.ca.gov).

## Material Specifications

No.	Part	Materials
1	Body	Lead Free Brass - CW511L
2	End Connection	Lead Free Brass - CW511L
3	Ball	T.E.A. Coated Brass - CW510L
4	Seat (2)	Hostafion® TFM 1600
5	Stem	Lead Free Brass - CW510L
6	Packing	Hostafion® TFM 1600
7	Stem O-ring (2)	Viton®
8	Packing Gland	Brass - CW614N
9	Handle	Steel - Geomet® Plated
10	Handle Nut	Steel - Geomet® Plated
11	O-ring (2)	EPDM

## Dimensions

Part No.	Size	A	B	C	D	E	Cv
100-203G	1/2"	3.54	1.53	2.95	0.59	1.24	16.82
100-204G	3/4"	3.84	1.95	3.74	0.79	1.28	34.80
100-205G	1"	4.31	2.40	4.75	0.97	1.38	52.20
100-206G	1-1/4"	4.80	2.59	4.75	1.23	1.30	112.52
100-207G	1-1/2"	5.61	3.22	6.00	1.49	1.50	174.00
100-208G	2"	7.16	3.40	6.00	1.99	2.01	255.20

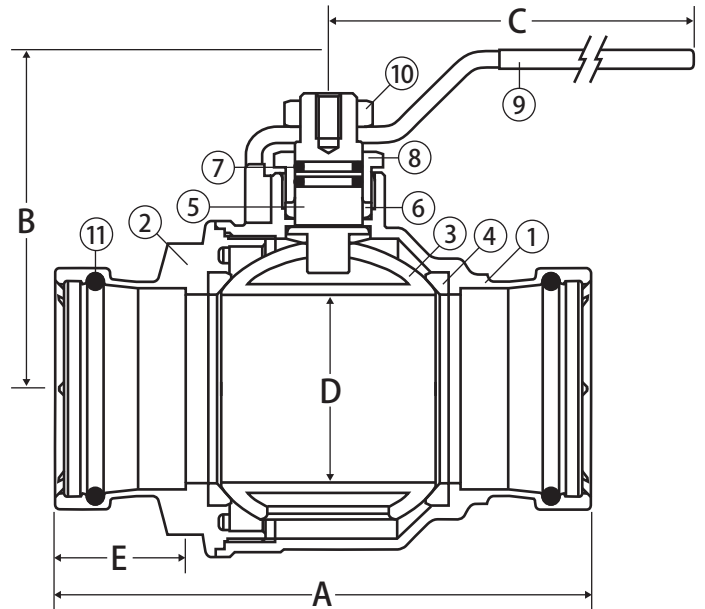
LT-JV-C 082018

# Lead Free Brass Ball Valve

2 Piece • Full Port • Press XLC Connection • 200 WOG



JP-100G XLC\*



### Features

- Dezincification resistant brass alloy
- Triple sealing stem with 2 Viton® o-rings and Teflon® seal
- Blow-out proof stem
- 100% leak tested
- 100% Made in Italy
- Leakproof stem - Lifetime Warranty
- Wetted surfaces contain less than .25% lead content
- Accessories available

### Approvals

- Conforms to IAPMO PS 117

### Pressure/Temperature Rating

- 200 WOG
- Max. 250°F

**WARNING:** This product can expose you to chemicals including lead, which is known to the State of California to cause cancer, and lead, which is known to the State of California to cause birth defects or other reproductive harm. For more information go to [www.P65Warnings.ca.gov](http://www.P65Warnings.ca.gov).

### Material Specifications

No.	Part	Materials
1	Body	Lead Free Brass - CW511L
2	End Connection	Lead Free Brass - CW511L
3	Ball	Chrome Plated Brass - CW510L
4	Seat (2)	Hostaflon® TFM 1600
5	Stem	Lead Free Brass - CW510L
6	Packing	Hostaflon® TFM 1600
7	Stem O-ring (2)	Viton®
8	Packing Gland	Brass - CW614N
9	Handle	Steel - Geomet® Plated
10	Handle Nut	Brass - CW614N
11	O-ring (2)	EPDM
12	O-ring (2)*	EPDM

\*On 3" & 4" only

### Dimensions

Part No.	Size	A	B	C	D	E	Cv
100-209XLCG	2-1/2"	7.13	4.72	8.00	2.46	1.75	350.32
100-210XLCG	3"	8.49	5.31	8.00	2.99	1.92	563.76
100-211XLCG	4"	10.79	5.90	9.88	4.00	2.22	879.28

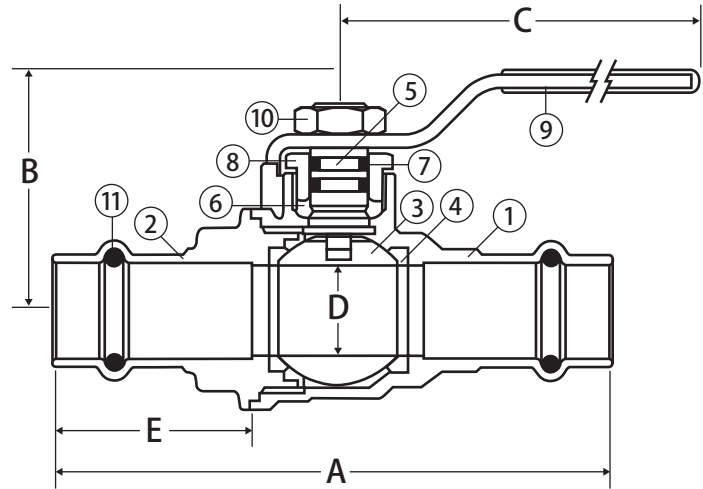
# Lead Free Brass Ball Valve



**2 Piece • Full Port • Press Connection • with Stainless Steel Ball and Stem • 250 WOG**



**JP-100SSG**



## Features

- Dezincification resistant brass alloy
- Triple sealing stem with 2 Viton® o-rings and Teflon® seal
- Blow-out proof stem
- 100% leak tested
- 100% Made in Italy
- Leakproof stem - Lifetime Warranty
- Wetted surfaces contain less than .25% lead content
- Accessories available

## Approvals

- NSF 372
- NSF 61-8
- NSF 61 - Annex G
- Conforms to IAPMO PS 117

## Pressure/Temperature Rating

- 250 WOG
- Max. 250° F

**WARNING:** This product can expose you to chemicals including lead, which is known to the State of California to cause cancer, and lead, which is known to the State of California to cause birth defects or other reproductive harm. For more information go to [www.P65Warnings.ca.gov](http://www.P65Warnings.ca.gov).

## Material Specifications

No.	Part	Materials
1	Body	Lead Free Brass - CW511L
2	End Connection	Lead Free Brass - CW511L
3	Ball	T.E.A. Coated Brass - CW510L
4	Seat (2)	Hostaflo® TFM 1600
5	Stem	Lead Free Brass - CW510L
6	Packing	Hostaflo® TFM 1600
7	Stem O-ring (2)	Viton®
8	Packing Gland	Brass - CW614N
9	Handle	Steel - Geomet® Plated
10	Handle Nut	Steel - Geomet® Plated
11	O-ring (2)	EPDM

## Dimensions

Part No.	Size	A	B	C	D	E	Cv
100-203SSG	1/2"	3.54	1.53	2.95	0.59	1.24	16.82
100-204SSG	3/4"	3.84	1.95	3.74	0.79	1.28	34.80
100-205SSG	1"	4.31	2.40	4.75	0.97	1.38	52.20
100-206SSG	1-1/4"	4.80	2.59	4.75	1.23	1.30	112.52
100-207SSG	1-1/2"	5.61	3.22	6.00	1.49	1.50	174.00
100-208SSG	2"	7.16	3.40	6.00	1.99	2.01	255.20

LIT-JV-C 082018

# Lead Free Brass Ball Valve



2 Piece • Full Port • Threaded Connection • 600 WOG



T-100CG

### Features

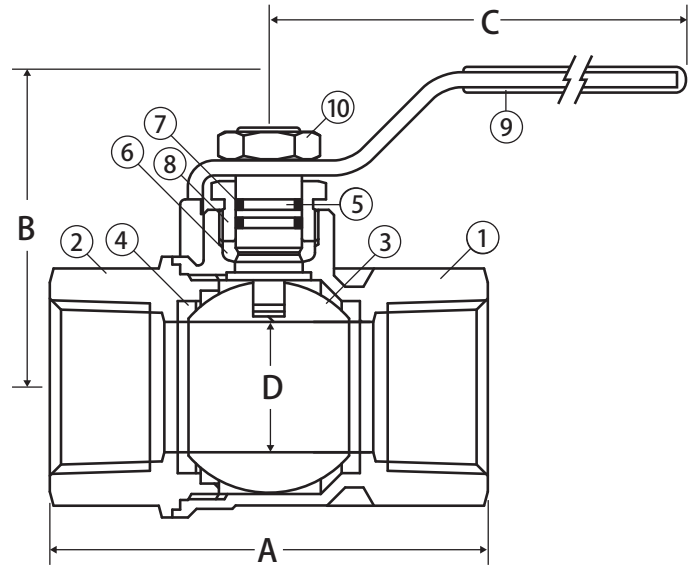
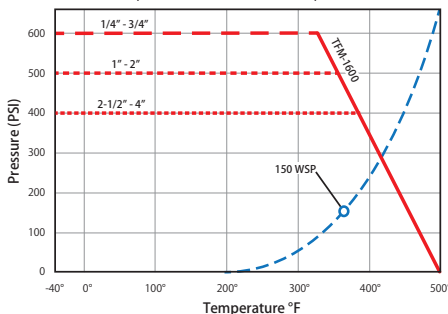
- Dezincification resistant brass alloy 1/2"-4" valves
- Triple sealing stem with 2 Viton® o-rings and Hostaflo® seal
- Blow-out proof stem
- 100% leak tested
- 100% Made in Italy
- NSF 61 / NSF 372 Certified
- Leakproof stem - Lifetime Warranty
- 29 in-Hg vacuum rating
- Wetted surfaces contain less than .25% lead content

### Approvals

- UL Listed (1/2" - 2")
  - VQGU - Trim & drain (US only)
  - MHKZ - Manual valves
  - YQNZ - Compressed gas shut-off valves
  - YRBX - Flammable liquid shut-off valves
  - YRPV - Gas shut-off valves
  - YSDT - LP gas shut-off valves
  - SFJQ - Valves, refrigerant
- NSF 372
- NSF 61-8
- NSF 61 - Annex G
- CSA Certified
  - ANSI Z21.15 (.5 PSIG)
  - ASME B16.44 (5 PSIG)
  - CGA CR91 (5 PSIG)
- ANSI B1.20.1

### Valve Seat Rating

1/4" - 3/4" 600 WOG, 1" - 2" 500 WOG - 150 WSP, 2-1/2"-4" 400 WOG



### Material Specifications

No.	Part	Materials
1	Body	Lead Free Brass - CW511L
2	End Connection	Lead Free Brass - CW511L
3	Ball	T.E.A. Coated Brass - CW510L
4	Seat (2)	Hostaflo® TFM 1600
5	Stem	Lead Free Brass - CW510L
6	Packing	Hostaflo® TFM 1600
7	Stem O-ring (2)	Viton®
8	Packing Gland	Brass - CW614N
9	Handle	Steel - Geomet® Plated
10	Handle Nut	Steel - Geomet® Plated

### Dimensions

Part No.	Size	A	B	C	D	Cv
100-403G	1/2"	2.00	1.53	2.95	0.59	16.82
100-404G	3/4"	2.34	1.95	3.74	0.79	34.80
100-405G	1"	2.67	2.40	4.75	0.97	52.20
100-406G	1-1/4"	3.22	2.59	4.75	1.23	112.52
100-407G	1-1/2"	3.68	3.22	6.00	1.49	174.00
100-408G	2"	4.29	3.40	6.00	1.99	255.20
100-409G*	2-1/2"	6.06	4.60	8.00	2.46	350.32
100-410G*	3"	7.08	4.90	8.00	2.99	563.76
100-411G*	4"	8.57	5.90	9.88	4.00	879.28

**WARNING:** This product can expose you to chemicals including lead, which is known to the State of California to cause cancer, and lead, which is known to the State of California to cause birth defects or other reproductive harm. For more information go to [www.P65Warnings.ca.gov](http://www.P65Warnings.ca.gov).

# Lead Free Brass Ball Valve

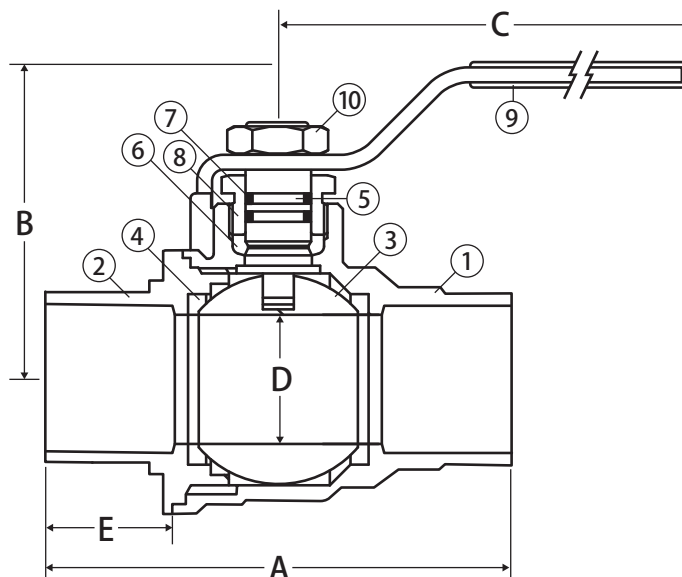


2 Piece • Full Port • Solder Connection • 600 WOG



S-100CG

CRN# 0C16887.5469870YTN



## Features

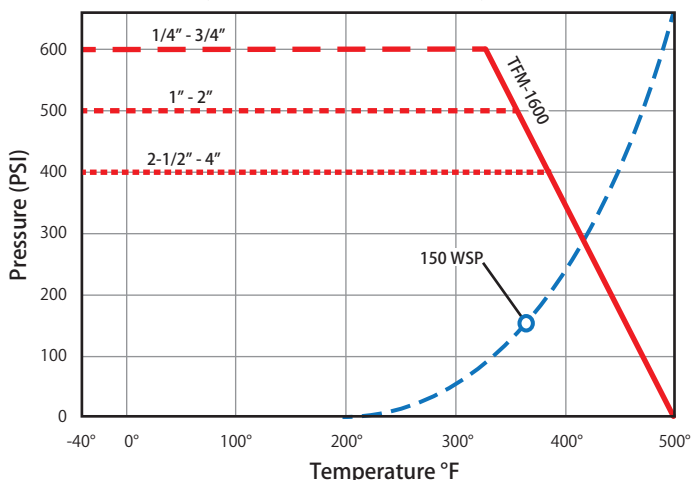
- Dezincification resistant brass alloy 1/2"-4" valves
- Triple sealing stem with 2 Viton® o-rings and Hostaflo® seal
- Blow-out proof stem
- 100% leak tested
- 100% Made in Italy
- Leakproof stem - Lifetime Warranty
- 29 in-Hg vacuum rating
- Wetted surfaces contain less than .25% lead content

## Approvals

- UL Listed (1/2" - 2")
  - VQGU - Trim & drain (US only)
- NSF 372
- NSF 61-8
- NSF 61 - Annex G
- ASME/ANSI B16.18

## Valve Seat Rating

1/4" - 3/4" 600 WOG, 1" - 2" 500 WOG - 150 WSP, 2-1/2"-4" 400 WOG



## Material Specifications

No.	Part	Materials
1	Body	Lead Free Brass - CW511L
2	End Connection	Lead Free Brass - CW511L
3	Ball	T.E.A. Coated Brass - CW510L
4	Seat (2)	Hostaflo® TFM 1600
5	Stem	Lead Free Brass - CW510L
6	Packing	Hostaflo® TFM 1600
7	Stem O-ring (2)	Viton®
8	Packing Gland	Brass - CW614N
9	Handle	Steel - Geomet® Plated
10	Handle Nut	Steel - Geomet® Plated

## Dimensions

Part No.	Size	A	B	C	D	E	Cv
100-413G	1/2"	2.48	1.56	2.95	0.59	0.51	16.82
100-414G	3/4"	3.26	2.05	3.74	0.79	0.76	34.80
100-415G	1"	3.94	2.55	4.75	0.97	0.92	52.20
100-416G	1-1/4"	4.50	2.66	4.75	1.23	0.98	112.52
100-417G	1-1/2"	5.07	3.31	6.00	1.49	1.10	174.00
100-418G	2"	6.22	3.60	6.00	1.99	1.34	255.20
100-419G*	2-1/2"	7.28	4.74	8.00	2.46	1.45	350.32
100-420G*	3"	8.48	5.05	8.00	2.99	1.63	563.76
100-421G*	4"	10.08	5.90	9.84	4.00	2.20	879.28

**WARNING:** This product can expose you to chemicals including lead, which is known to the State of California to cause cancer, and lead, which is known to the State of California to cause birth defects or other reproductive harm. For more information go to [www.P65Warnings.ca.gov](http://www.P65Warnings.ca.gov).

LT-JV-C 082018



# Lead Free Brass Ball Valve

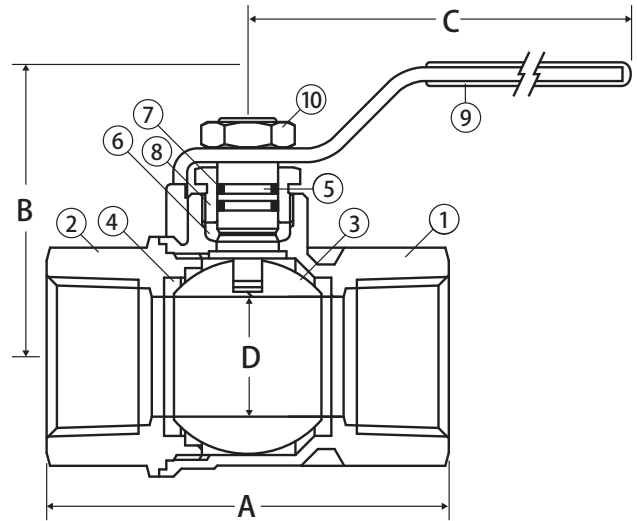


2 Piece • Full Port • Threaded Connection

• Stainless Steel Trim • 600 WOG



T-100CSSG



## Features

- Dezincification resistant brass alloy
- Stainless steel trim
- Triple sealing stem with 2 Viton® o-rings and Hostaflo® seal
- Blow-out proof stem
- 100% leak tested
- 100% Made in Italy
- Leakproof stem - Lifetime Warranty
- 29 in-Hg vacuum rating
- Wetted surfaces contain less than .25% lead content

## Approvals

- UL Listed (1/2" - 2")
  - VQGU - Trim & drain (US only)
  - MHKZ - Manual valves
  - YQNZ - Compressed gas shut-off valves
  - YRBX - Flammable liquid shut-off valves
  - YRPV - Gas shut-off valves
  - YSDT - LP gas shut-off valves
  - SFJQ - Valves, refrigerant
- NSF 372
- NSF 61-8
- NSF 61 - Annex G
- CSA Certified
  - ANSI Z21.15 (5 PSIG)
  - ASME B16.44 (5 PSIG)
  - CGA CR91 (5 PSIG)
- ANSI B1.20.1

**WARNING:** This product can expose you to chemicals including lead, which is known to the State of California to cause cancer, and lead, which is known to the State of California to cause birth defects or other reproductive harm. For more information go to [www.P65Warnings.ca.gov](http://www.P65Warnings.ca.gov).

## Material Specifications

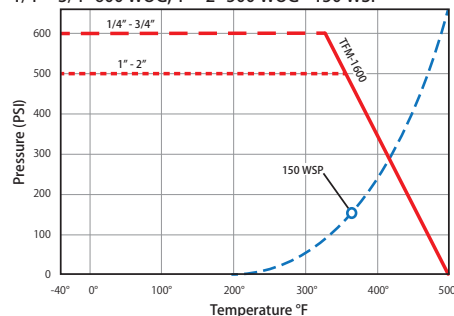
No.	Part	Materials
1	Body	Lead Free Brass - CW511L
2	End Connection	Lead Free Brass - CW511L
3	Ball	316 Stainless Steel
4	Seat (2)	Hostaflo® TFM 1600
5	Stem	316 Stainless Steel
6	Packing	Hostaflo® TFM 1600
7	Stem O-ring (2)	Viton®
8	Packing Gland	Brass - CW614N
9	Handle	Steel - Geomet® Plated
10	Handle Nut	Steel - Geomet® Plated

## Dimensions

Part No.	Size	A	B	C	D	Cv
100-403SSG	1/2"	2.00	1.53	2.95	0.59	16.82
100-404SSG	3/4"	2.34	1.95	3.74	0.79	34.80
100-405SSG	1"	2.67	2.40	4.75	0.97	52.20
100-406SSG	1-1/4"	3.22	2.59	4.75	1.23	112.52
100-407SSG	1-1/2"	2.68	3.22	6.00	1.49	174.00
100-408SSG	2"	4.29	3.40	6.00	1.99	255.20

## Valve Seat Rating

1/4" - 3/4" 600 WOG, 1" - 2" 500 WOG - 150 WSP



# Lead Free Brass Ball Valve



**2 Piece • Full Port • Solder Connection • Stainless Steel Trim • 600 WOG**



**S-100CSSG**

### Features

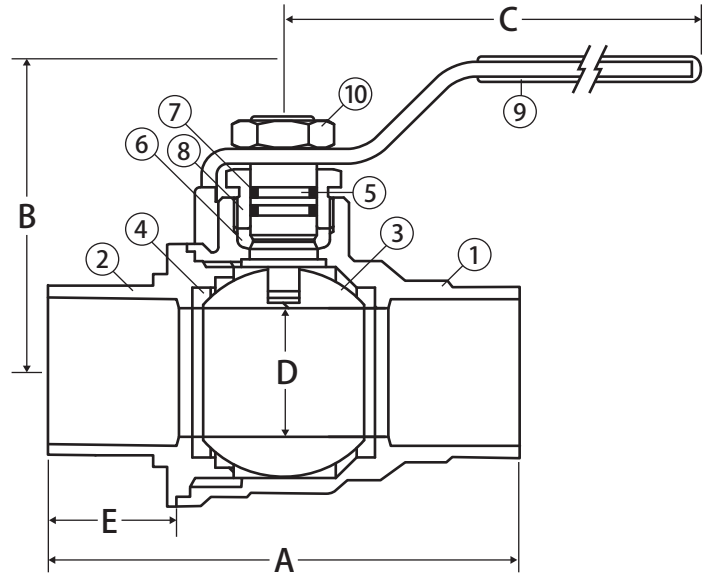
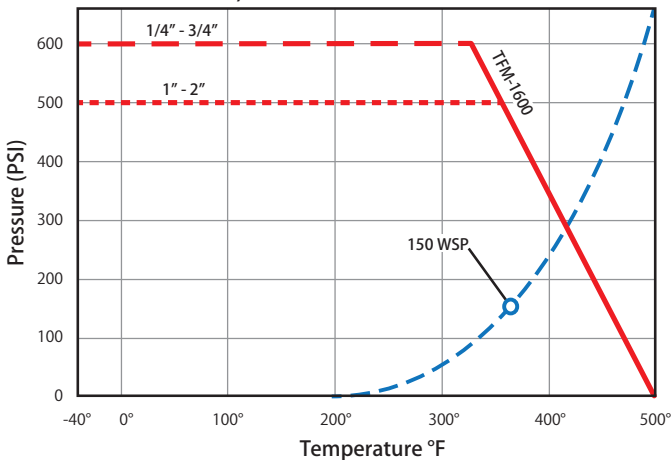
- Dezincification resistant brass alloy
- Stainless steel trim
- Triple sealing stem with 2 Viton® o-rings and Hostafion® seal
- Blow-out proof stem
- 100% leak tested
- 100% Made in Italy
- Leakproof stem - Lifetime Warranty
- 29 in-Hg vacuum rating
- Wetted surfaces contain less than .25% lead content

### Approvals

- UL Listed (1/2" - 2")
  - VQGU - Trim & drain (US only)
- NSF 372
- NSF 61-8
- NSF 61 - Annex G
- ASME/ANSI B16.18

### Valve Seat Rating

1/4" - 3/4" 600 WOG, 1" - 2" 500 WOG - 150 WSP



### Material Specifications

No.	Part	Materials
1	Body	Lead Free Brass - CW511L
2	End Connection	Lead Free Brass - CW511L
3	Ball	316 Stainless Steel
4	Seat (2)	Hostafion® TFM 1600
5	Stem	316 Stainless Steel
6	Packing	Hostafion® TFM 1600
7	Stem O-ring (2)	Viton®
8	Packing Gland	Brass - CW614N
9	Handle	Steel - Geomet® Plated
10	Handle Nut	Steel - Geomet® Plated

### Dimensions

Part No.	Size	A	B	C	D	E	Cv
100-413SSG	1/2"	2.48	1.56	2.95	0.59	0.51	16.82
100-414SSG	3/4"	3.26	2.05	3.74	0.79	0.76	34.80
100-415SSG	1"	3.94	2.55	4.75	0.97	0.92	52.20
100-416SSG	1-1/4"	4.50	2.66	4.75	1.23	0.98	112.52
100-417SSG	1-1/2"	5.07	3.31	6.00	1.49	1.10	174.00
100-418SSG	2"	6.22	3.60	6.00	1.99	1.34	255.20



**WARNING:** This product can expose you to chemicals including lead, which is known to the State of California to cause cancer, and lead, which is known to the State of California to cause birth defects or other reproductive harm. For more information go to [www.P65Warnings.ca.gov](http://www.P65Warnings.ca.gov).

LT-JV-C 082018

# Lead Free Brass Ball Valve



## 3 Way Ball • Tankless Water Heater Valve Kit •

## Threaded, Solder, or Press Connections • 600 WOG



**TWV-3W-KIT-G**

### Features

- Unique, T.E.A. Ternary Eco Alloy® Coated 3-way style ball
- 2 Viton® o-rings with Teflon packing and packing nut guarantees no stem leaks
- US Patent No. 7,762,280 B2
- 3/4" 200,000 BTU/hr lead free pressure relief valve included
- 100% leak tested
- 100% Made in Italy
- Leakproof stem - Lifetime Warranty
- Wetted surfaces contain less than .25% lead content

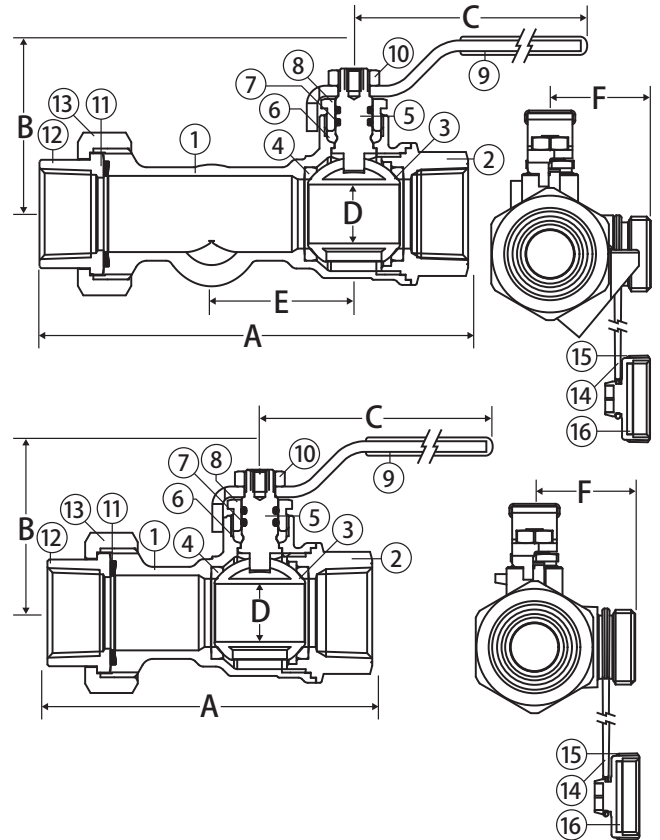
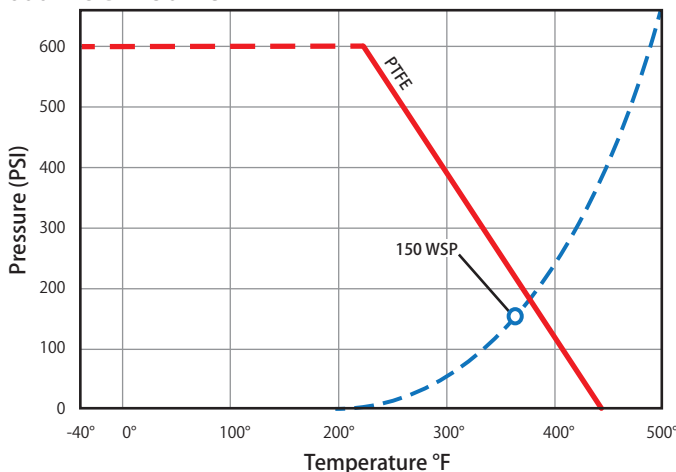
### Approvals

- NSF 372
- NSF 61-8
- NSF 61 - Annex G
- ANSI B1.20.1
- ANSI B1.20.7



**WARNING:** This product can expose you to chemicals including lead, which is known to the State of California to cause cancer, and lead, which is known to the State of California to cause birth defects or other reproductive harm. For more information go to [www.P65Warnings.ca.gov](http://www.P65Warnings.ca.gov).

### Valve Seat Rating 600 WOG - 150 WSP



### Material Specifications

No.	Part	Materials
1	Body	Lead Free Brass - CW510L
2	End Connection	Lead Free Brass - CW510L
3	Ball	T.E.A. Coated Brass - CW510L
4	Seat (2)	PTFE
5	Stem	Lead Free Brass - CW510L
6	Packing	PTFE
7	Stem O-ring (2)	Viton®
8	Packing Gland	Brass - CW614N
9	Handle	Steel - Geomet® Plated
10	Handle Nut	Steel - Geomet® Plated
11	Union Washer	EPDM
12	Tail Piece	Lead Free Brass - CW510L
13	Union Nut	Brass - CW617N
14	Tether	PVC
15	Cap	Lead Free Brass - CW510L
16	Flat Washer	Buna-N

### Dimensions

Part No.	Valve	A	B	C	D	E	F
810-504G Threaded	Hot	5.11	2.00	3.74	0.66	1.65	1.41
	Cold	3.93	2.00	3.74	0.66	-	1.41
810-514G Solder	Hot	5.35	2.00	3.74	0.66	1.65	1.41
	Cold	4.17	2.00	3.74	0.66	-	1.41
810-524G Press	Hot	5.71	2.00	3.74	0.66	1.65	1.41
	Cold	4.53	2.00	3.74	0.66	-	1.41

# Lead Free Specialty Valve

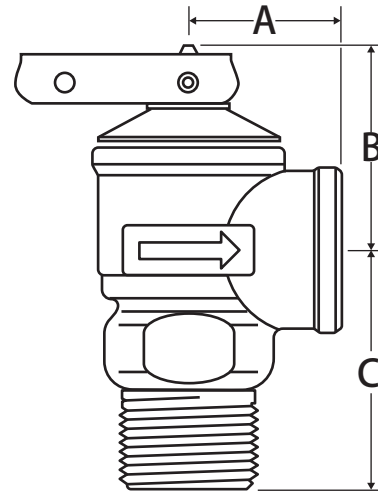


Pressure Relief Valve • 150 PSI • 200,000 BTU



PRV

CRN# 0G1438.6C



## Features


- Reseats after pressure relief
- 100% tested
- Wetted surfaces contain less than .25% lead content

## Approvals

- CSA Certified
  - ANSI Z21.22/CSA 4.4 (200,000 BTU/Hr)
- ASME Certified
  - Boiler Code Section IV (500,000 BTU/Hr)
- NBBI Certified
  - NB-18 – Pressure Relief Device

## Pressure Rating

- 150 PSI

 **WARNING:** This product can expose you to chemicals including lead, which is known to the State of California to cause cancer, and lead, which is known to the State of California to cause birth defects or other reproductive harm. For more information go to [www.P65Warnings.ca.gov](http://www.P65Warnings.ca.gov).

## Material Specifications

No.	Part	Materials
1	Body	Bronze
2	Internal Parts	Brass and Stainless Steel
3	Seat Disc	Silicone
4	Pressure Spring	Stainless Steel

## Dimensions

Part No.	Size	A	B	C
203-104G	3/4" MIP x 3/4" FIP	1.16	1.56	1.78

LT-JV-C 082018

# Lead Free Brass Ball Valve



## 3 Way Ball • Tankless Water Heater Valve Kit • Threaded Connection • 600 WOG



**TWV-3W-KIT-G1**

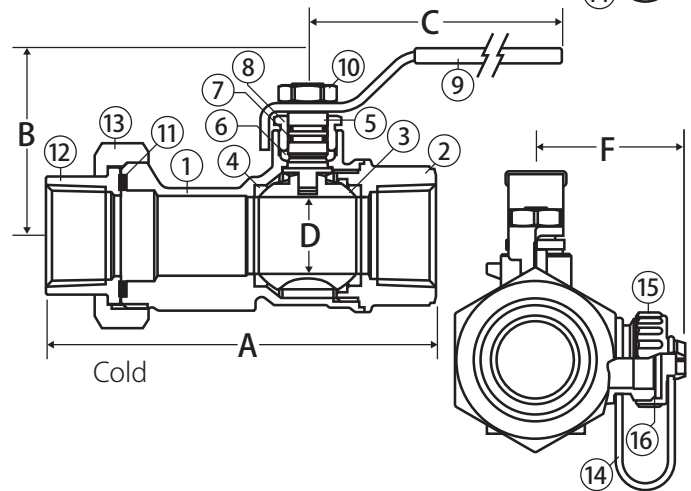
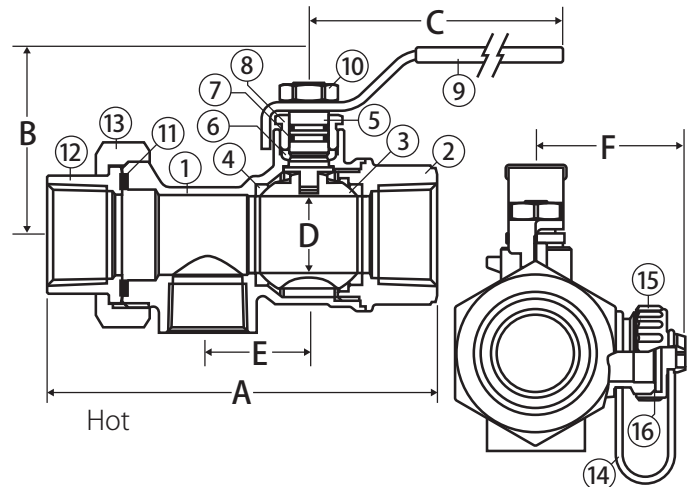
### Features

- Unique, T.E.A. Ternary Eco Alloy® coated 3-way style ball
- 2 Viton® o-rings with Hostaflo® packing and packing nut guarantees no stem leaks
- U.S.A. Patent No. 7,762,280 B2
- 100% leak tested
- 100% Made in Italy
- Leakproof stem - Lifetime Warranty
- Wetted surfaces contain less than .25% lead content

### Approvals

- NSF 372
- NSF 61-8
- NSF 61 - Annex G
- ANSI B1.20.1
- ANSI B1.20.7

**WARNING:** This product can expose you to chemicals including lead, which is known to the State of California to cause cancer, and lead, which is known to the State of California to cause birth defects or other reproductive harm. For more information go to [www.P65Warnings.ca.gov](http://www.P65Warnings.ca.gov).



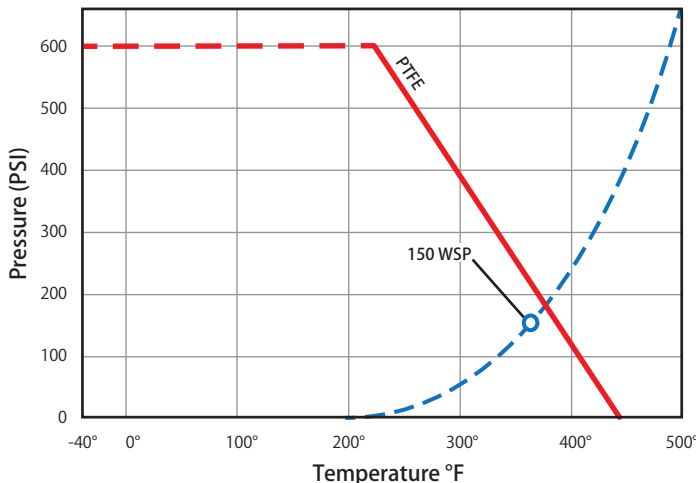
### Material Specifications

No.	Part	Materials
1	Body	Lead Free Brass - CW510L
2	End Connection	Lead Free Brass - CW510L
3	Ball	T.E.A. Coated Brass - CW510L
4	Seat (2)	PTFE
5	Stem	Lead Free Brass - CW510L
6	Packing	PTFE
7	Stem O-ring (2)	Viton®
8	Packing Gland	Brass - CW614N
9	Handle	Steel - Geomet® Plated
10	Handle Nut	Steel - Geomet® Plated
11	Union Washer	EPDM
12	Tail Piece	Lead Free Brass - CW510L
13	Union Nut	Brass - CW617N
14	Tether	PVC
15	Cap	Lead Free Brass - CW510L
16	Flat Washer	Buna-N

### Dimensions

Part No.	Valve	A	B	C	D	E	F
<b>810-505G - 1" Threaded</b>							
810-525G	Hot	5.05	2.53	4.75	0.81	1.35	1.55
810-535G	Cold	5.05	2.53	4.75	0.81	-	1.55

### Valve Seat Rating 600 WOG - 150 WSP



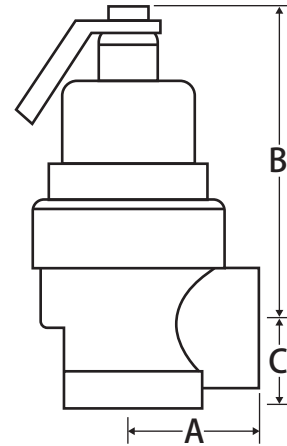
# Lead Free Specialty Ball Valve



## Commercial Pressure Relief Valve • 150 PSI • CSA 2,700,000 BTU



**CPRV**



### Features

- Forged bronze construction
- Stainless steel pressure spring
- 2,703,000 BTU/HR relief
- 100% tested
- Wetted surfaces contain less than .25% lead content

### Approvals

- ASME Listed
- ANSI B1.20.1

### Pressure Rating

- 150 PSI

**WARNING:** This product can expose you to chemicals including lead, which is known to the State of California to cause cancer, and lead, which is known to the State of California to cause birth defects or other reproductive harm. For more information go to [www.P65Warnings.ca.gov](http://www.P65Warnings.ca.gov).

### Material Specifications

No.	Part	Materials
1	Body	Lead Free Bronze
2	Seat Disc	Silicone
3	Pressure Spring	Stainless Steel

### Dimensions

Part No.	Size	A	B	C
203-304G	3/4"	1.50	3.50	1.69

LT-JV-C 082018

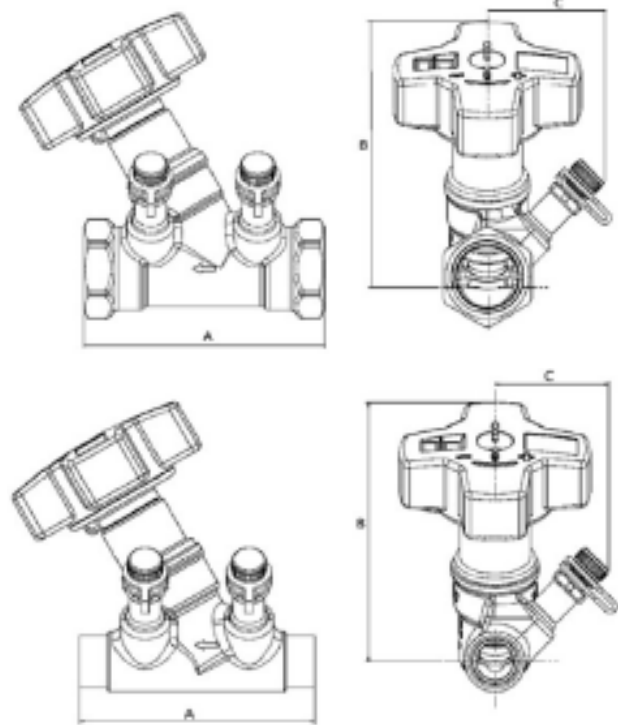
# Terminator G Lead Free



## Y-Pattern Multi-turn • Globe Valve • Threaded and Solder Connections • Memory Stop • 300 WOG



TGG



### Features

- "Y" pattern globe style design
- Lead free dezincification brass
- Positive shut-off
- Offsetting pressure/temperature ports
- Multi-turn, 360° handwheel with vernier scale and digital readouts
- Built-in memory stop
- Precise flow measurement and flow balancing

### Temperature and Pressure Rating

- 300 PSI
- -4°F to 250°F

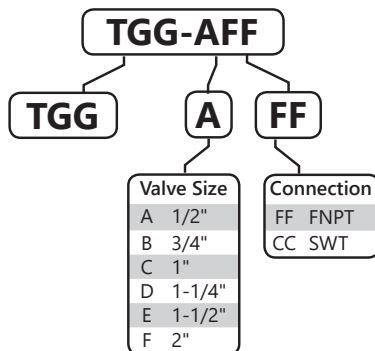
### Dimensions

Part Number	Size	Price	A	B	C	Minimum Flow	Nominal Flow	Maximum Flow
TGG-AFF	1/2"	\$91.07	3.39	3.74	1.57	0.14	0.50-3.08	12.10
TGG-BFF	3/4"	\$98.89	3.54	3.74	1.65	0.26	3.80-5.50	17.40
TGG-CFF	1"	\$129.66	4.02	3.78	1.73	0.37	5.50-9.50	30.00
TGG-DFE	1-1/4"	\$191.42	4.72	3.78	1.85	0.60	9.50-14	44.60
TGG-EFF	1-1/2"	\$213.13	5.20	4.25	1.93	0.91	14-20	66.40
TGG-FFF	2"	\$298.11	6.46	4.37	2.09	1.52	20-33	107.20
TGG-ACC	1/2"	\$89.13	3.39	3.74	1.57	0.14	0.50-3.08	12.10
TGG-BCC	3/4"	\$96.60	3.54	3.74	1.65	0.26	3.80-5.50	17.40
TGG-CCC	1"	\$127.22	4.02	3.78	1.73	0.37	5.50-9.50	30.00
TGG-DCC	1-1/4"	\$188.37	4.72	3.78	1.85	0.60	9.50-14	44.60
TGG-ECC	1-1/2"	\$209.03	5.20	4.25	1.93	0.91	14-20	66.40
TGG-FCC	2"	\$296.09	6.46	4.37	2.09	1.52	20-33	107.20

### Cv Values

Handwheel Setting	1/2"	3/4"	1"	1-1/4"	1-1/2"	2"
1	0.21	0.39	0.56	0.92	1.39	2.32
1.5	0.29	0.56	0.75	1.28	1.97	3.25
2	0.37	0.70	0.89	1.53	2.38	4.18
2.5	0.44	0.82	1.04	1.80	2.78	5.10
3	0.52	0.96	1.19	2.09	3.25	6.03
4	0.72	1.31	1.74	3.13	4.76	8.82
5	1.00	1.80	2.67	4.76	7.19	13.80
6	1.36	2.44	4.18	6.84	10.30	19.40
7	1.88	3.36	5.80	9.05	13.90	24.60
8	2.96	4.47	7.54	11.30	17.10	29.00
9	3.65	5.22	9.16	13.30	19.80	33.20
10	4.12	5.92	10.2	15.2	22.6	36.5

### Smart Part Ordering Guide



### Material Specifications

Part	Material
Body, Bonnet	Lead Free DZR Brass
Gasket	EPDM
Seat Seal	EPDM
Hand Wheel	Plastic



**WARNING:** This product can expose you to chemicals including lead, which is known to the State of California to cause cancer, and lead, which is known to the State of California to cause birth defects or other reproductive harm. For more information go to [www.P65Warnings.ca.gov](http://www.P65Warnings.ca.gov).

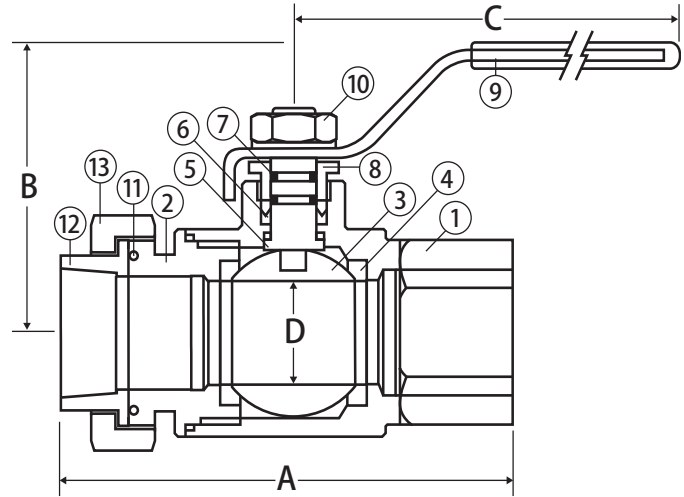
# Lead Free Brass Ball Valve



**2 Piece • Full Port • Single Union End • Threaded Connection • 500 WOG**



**T-100UEG**



## Features

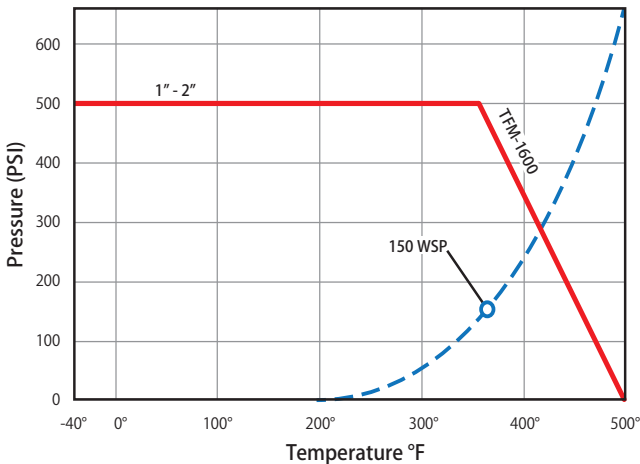
- Dezincification resistant brass alloy
- Triple sealing stem with 2 Viton® o-rings and Hostaflo® seal
- Blow-out proof stem
- FIP x union FIP
- 100% leak tested
- 100% Made in Italy
- Leakproof stem - Lifetime Warranty
- 29 in-Hg vacuum rating
- Wetted surfaces contain less than .25% lead content
- Accessories available

## Approvals

- NSF 372
- NSF 61-8
- MSS SP-110
- ANSI B1.20.1

## Valve Seat Rating

1" - 2" 500 WOG - 150 WSP



## Material Specifications

No.	Part	Materials
1	Body	Lead Free Brass - CW511L
2	End Connection	Lead Free Brass - CW511L
3	Ball	T.E.A. Coated Brass - CW510L
4	Seat (2)	Hostaflo® TFM 1600
5	Stem	Lead Free Brass - CW510L
6	Packing	Hostaflo® TFM 1600
7	Stem O-ring (2)	Viton®
8	Packing Gland	Brass - CW614N
9	Handle	Steel - Geomet® Plated
10	Handle Nut	Steel - Geomet® Plated
11	Union O-ring	Viton®
12	Tail Piece	Lead Free Brass - CW511L
13	Union Nut	Lead Free Brass - CW511L

## Dimensions

Part No.	Size	A	B	C	D	Cv
160-106G	1-1/4"	4.86	2.59	4.75	1.23	112.52
160-107G	1-1/2"	5.38	3.22	6.00	1.49	174.00
160-108G	2"	6.11	3.50	6.00	1.99	255.20



**WARNING:** This product can expose you to chemicals including lead, which is known to the State of California to cause cancer, and lead, which is known to the State of California to cause birth defects or other reproductive harm. For more information go to [www.P65Warnings.ca.gov](http://www.P65Warnings.ca.gov).

LIT-JV-C 082018

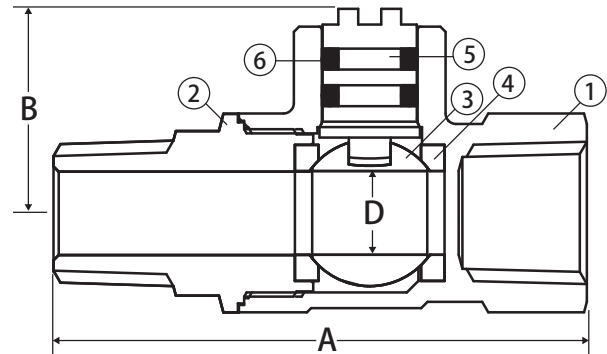


# Lead Free Brass Ball Valve

2 Piece • Full Port • Threaded Connection • Mini Valves • 600 WOG • with Screwdriver Slot



T-82-MG



### Features

- Blow-out proof stem
- 2 Viton® o-rings
- Greater flow rate
- Large raised wrench flats
- 100% leak tested
- 100% Made in Italy
- Leakproof stem - Lifetime Warranty
- Wetted surfaces contain less than .25% lead content

### Approvals

- NSF 372
- NSF 61-8
- NSF 61 - Annex G
- MSS SP-110
- ANSI B1.20.1

### Material Specifications

No.	Part	Materials
1	Body	Lead Free Brass - CW510L
2	End Connection	Lead Free Brass - CW510L
3	Ball	Chrome Plated Brass - CW510L
4	Seat (2)	PTFE
5	Stem	Lead Free Brass - CW510L
6	Stem O-ring (2)	Viton®

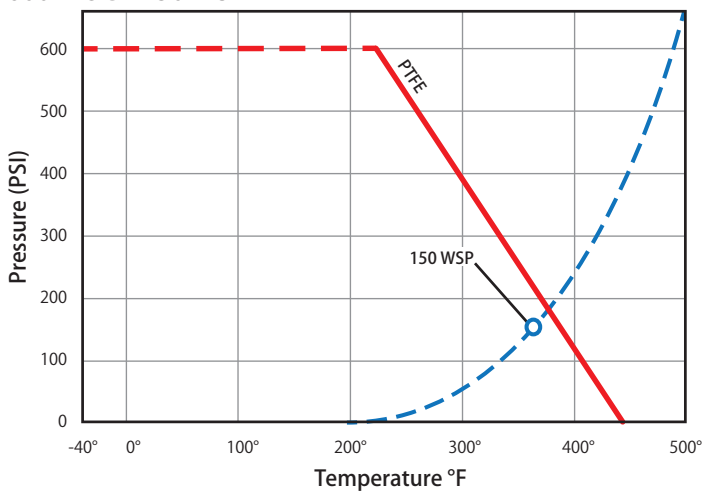
### Dimensions

Part No.	Size	A	B	D
100-296G	1/4" FIP x 1/8" MIP	1.96	0.77	0.31



**WARNING:** This product can expose you to chemicals including lead, which is known to the State of California to cause cancer, and lead, which is known to the State of California to cause birth defects or other reproductive harm. For more information go to [www.P65Warnings.ca.gov](http://www.P65Warnings.ca.gov).

### Valve Seat Rating 600 WOG - 150 WSP



# Lead Free Brass Ball Valve

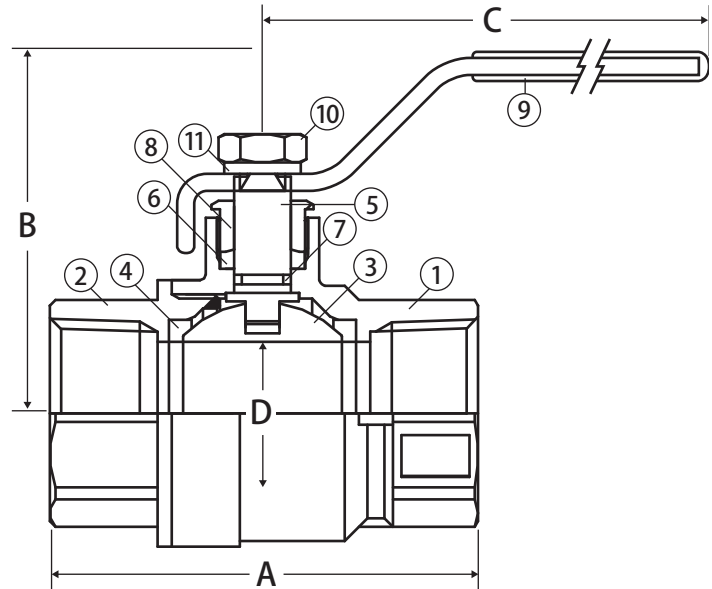


2 Piece • Full Port • Threaded Connection • 600 WOG •  
Stainless Steel Ball and Stem



JF-100TG

CRN# OC16654.5



## Features

- Dezincification resistant brass
- Gland follower and single o-ring stem design
- Blow-out proof stem
- Stainless steel ball and stem
- 100% leak tested
- Wetted surfaces contain less than .25% lead content

## Approvals

- UL Listed up to 175 PSI (1/4" - 2")
  - MHKZ - Manual valves
  - YRPV - Gas shut-off valves
- IAPMO Certified
  - NSF 61-8
  - NSF 372
  - Uniform Plumbing Code (cUPC)
    - IAPMO/ANSI Z1157-2014
    - NSF/ANSI 14-2014
- CSA Certified
  - CGA 3.16 (125 PSIG) (1/4" - 2")
  - ANSI Z21.15 (.5 PSIG) (1/4" - 2")
  - CGA CR91 (5 PSIG) (1/4" - 2")
  - ASME B16.44 (5 PSIG) (1/4" - 2")
  - ASME B16.33 (125PSIG) (1/2" - 2")
- MSS SP-110
- ANSI B1.20.1
- RoHS Compliant

## Material Specifications

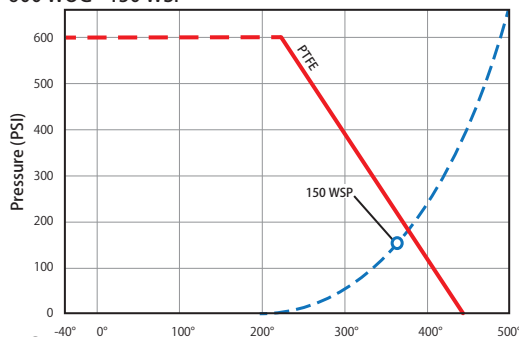
No.	Part	Materials
1	Body	Lead Free Brass - C46500
2	End Connection	Lead Free Brass - C46500
3	Ball	304 Stainless Steel
4	Seat (2)	PTFE
5	Stem	304 Stainless Steel
6	Packing	PTFE
7	Stem O-ring	Buna-N
8	Packing Gland	Lead Free Brass - C46500
9	Handle	Steel - Chrome Plated
10	Handle Nut	Steel - Chrome Plated
11	Lock Washer	Steel - Chrome Plated

## Dimensions

Part No.	Size	A	B	C	D
100-101SSG	1/4"	1.73	1.69	3.35	0.39
100-102SSG	3/8"	1.73	1.69	3.35	0.39
100-103SSG	1/2"	2.28	1.81	3.35	0.59
100-104SSG	3/4"	2.51	2.36	4.29	0.75
100-105SSG	1"	2.97	2.52	4.29	0.98
100-106SSG	1-1/4"	3.45	2.52	5.63	1.26
100-107SSG	1-1/2"	3.87	2.72	5.63	1.57
100-108SSG	2"	4.29	3.03	5.63	1.97
100-109SSG	2-1/2"	5.59	4.25	7.76	2.52
100-110SSG	3"	6.34	4.92	8.37	2.95
100-111SSG	4"	7.83	5.85	9.25	3.90

## Valve Seat Rating

600 WOG - 150 WSP



**WARNING:** This product can expose you to chemicals including lead, which is known to the State of California to cause cancer, and lead, which is known to the State of California to cause birth defects or other reproductive harm. For more information go to [www.P65Warnings.ca.gov](http://www.P65Warnings.ca.gov).

LIT-JV-C 082018

# Lead Free Brass Ball Valve

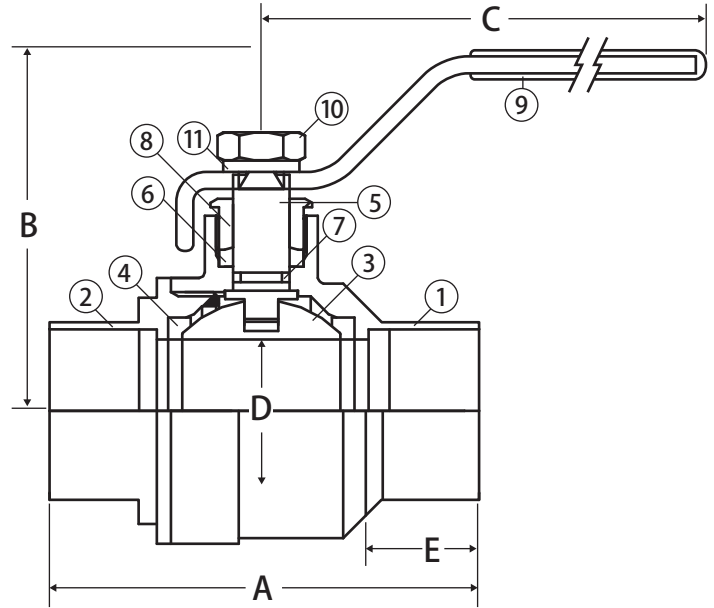


2 Piece • Full Port • Solder Connection • 600 WOG •  
Stainless Steel Ball and Stem



JF-100SG

CRN# OC16654.5



## Features

- Dezincification resistant brass
- Gland follower and single o-ring stem design
- Blow-out proof stem
- Stainless steel ball and stem
- 100% leak tested
- Wetted surfaces contain less than .25% lead content

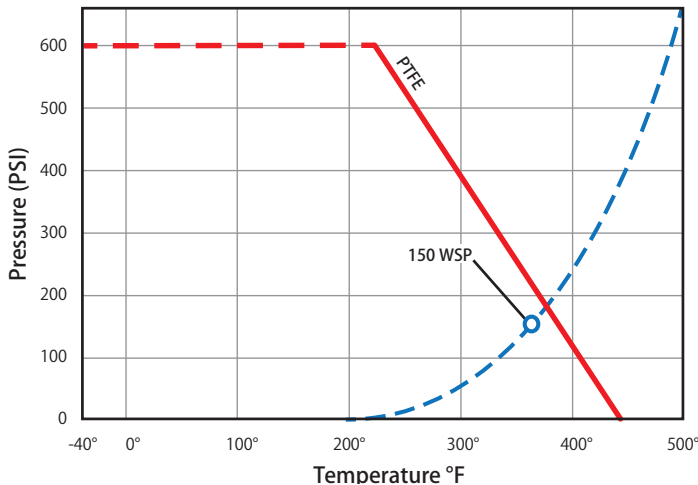
## Approvals



- UL Listed up to 175 PSI (1/2" - 2")
  - MHKZ - Manual valves
  - YRPV - Gas shut-off valves
- IAPMO Certified
  - NSF 61-8
  - NSF 372
  - Uniform Plumbing Code (cUPC)
    - IAPMO/ANSI Z1157-2014
    - NSF/ANSI 14-2014
- MSS SP-110
- ASME/ANSI B16.18
- RoHS Compliant

## Valve Seat Rating

600 WOG - 150 WSP



## Material Specifications

No.	Part	Materials
1	Body	Lead Free Brass - C46500
2	End Connection	Lead Free Brass - C46500
3	Ball	304 Stainless Steel
4	Seat (2)	PTFE
5	Stem	304 Stainless Steel
6	Packing	PTFE
7	Stem O-ring	Buna-N
8	Packing Gland	Lead Free Brass - C46500
9	Handle	Steel - Chrome Plated
10	Handle Nut	Steel - Chrome Plated
11	Lock Washer	Steel - Chrome Plated

## Dimensions

Part No.	Size	A	B	C	D	E
100-113SSG	1/2"	2.17	1.81	3.35	0.59	0.50
100-114SSG	3/4"	2.80	2.36	4.29	0.75	0.75
100-115SSG	1"	3.27	2.52	4.29	0.98	0.86
100-116SSG	1-1/4"	4.10	2.52	5.63	1.26	1.08
100-117SSG	1-1/2"	4.33	2.80	5.63	1.57	0.98
100-118SSG	2"	5.34	3.11	5.63	1.97	1.21
100-119SSG	2-1/2"	6.39	4.25	7.76	2.52	1.48
100-120SSG	3"	7.10	4.92	8.37	2.95	1.66
100-121SSG	4"	9.56	5.85	9.25	3.90	2.22



WARNING: This product can expose you to chemicals including lead, which is known to the State of California to cause cancer, and lead, which is known to the State of California to cause birth defects or other reproductive harm. For more information go to [www.P65Warnings.ca.gov](http://www.P65Warnings.ca.gov).

# Lead Free Brass Ball Valve

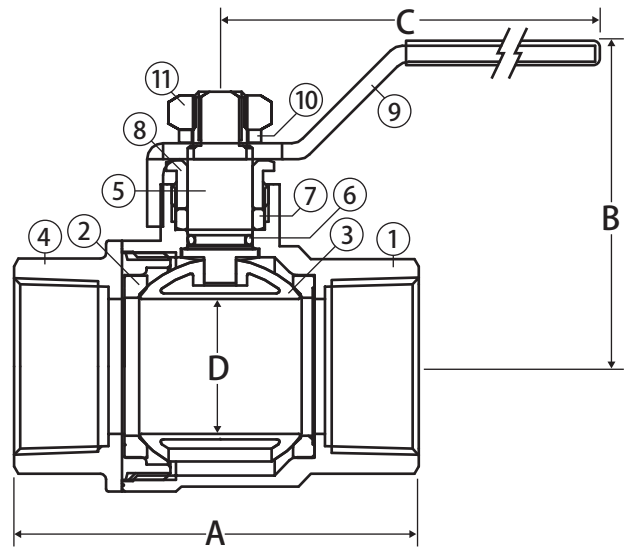


2 Piece • Full Port • Threaded Connection • 600 WOG



T-150G

CRN# 0C17996.52



## Features

- Dezincification resistant brass alloy
- Gland follower and single o-ring stem design
- Blow-out proof stem
- Wetted surfaces contain less than .25% lead content

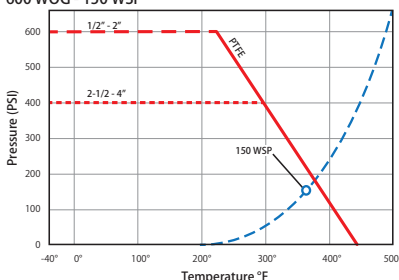
## Approvals



- UL Listed
  - VQGU - Trim & drain (1/2" - 2")
  - MHKZ - Manual valves
  - YQNZ - Compressed gas shut-off valves
  - YRBX - Flammable liquid shut-off valves
  - YRPV - Gas shut-off valves
  - YSDT - LP gas shut-off valves
- IAPMO Certified
  - NSF 61-8
  - NSF 372
  - Uniform Plumbing Code (cUPC) (1/2" - 2")
    - IAPMO/ANSI Z1157-2014
    - NSF/ANSI 14-2014
- CSA Certified (.5, 5, 125 PSIG) (1/2" - 2")
  - CGA 3.16
  - ASME B16.33
  - ANSI Z21.15
  - ASME B16.44
  - CGA CR91
- MSS SP-110
- ANSI B1.20.1
- FM Approval (1/4" - 2")

## Valve Seat Rating

600 WOG - 150 WSP



## Material Specifications

No.	Part	Materials
1	Body	Lead Free Brass - C46500
2	Seat (2)	PTFE
3	Ball*	Chrome Plated LF Brass - C46500
4	End Connection	Lead Free Brass - C46500
5	Stem	Brass - 37700
6	O-ring	Viton
7	Packing	PTFE
8	Packing Gland	Brass - 37700
9	Handle	Steel
10	Lock Washer	Steel
11	Handle Nut	304 Stainless Steel

\*1" - 4" have 316SS ball

## Dimensions

Part No.	Size	A	B	C	D
150-103G	1/2"	2.09	1.78	3.94	0.59
150-104G	3/4"	2.38	1.94	3.94	0.79
150-105G	1"	2.93	2.20	4.33	0.98
150-106G	1-1/4"	2.93	2.54	5.00	1.26
150-107G	1-1/2"	3.63	3.02	6.18	1.57
150-108G	2"	4.17	3.34	6.18	1.97
150-109G	2-1/2"	5.33	4.72	9.45	2.56
150-110G	3"	6.01	5.12	9.45	2.95
150-111G	4"	7.23	6.57	9.45	3.96

LIT-JV-C 082018

**WARNING:** This product can expose you to chemicals including lead, which is known to the State of California to cause cancer, and lead, which is known to the State of California to cause birth defects or other reproductive harm. For more information go to [www.P65Warnings.ca.gov](http://www.P65Warnings.ca.gov).

# Lead Free Brass Ball Valve

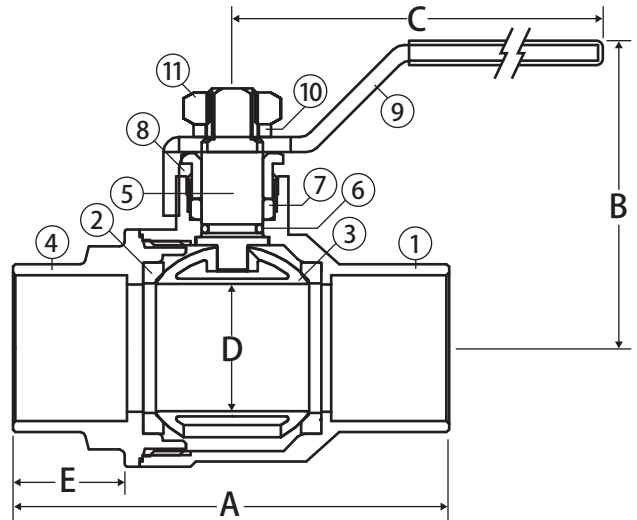


2 Piece • Full Port • Solder Connection • 600 WOG



S-150G

CRN# OC17996.52



## Features

- Dezincification resistant brass alloy
- Gland follower and single o-ring stem design
- Blow-out proof stem
- Wetted surfaces contain less than .25% lead content

## Approvals



- UL Listed
  - VQGU - Trim & drain (1/2" - 2")
  - MHKZ - Manual valves
  - YQNZ - Compressed gas shut-off valves
  - YRBX - Flammable liquid shut-off valves
  - YRPV - Gas shut-off valves
  - YSDT - LP gas shut-off valves
- IAPMO Certified
  - NSF 61-8
  - NSF 372
  - Uniform Plumbing Code (cUPC) (1/2" - 2")
    - IAPMO/ANSI Z1157-2014
    - NSF/ANSI 14-2014
- MSS SP-110
- ANSI B16.18
- FM Approval (1/2"-2")

## Material Specifications

No.	Part	Materials
1	Body	Lead Free Brass - C46500
2	Seat (2)	PTFE
3	Ball*	Chrome Plated LF Brass - C46500
4	End Connection	Lead Free Brass - C46500
5	Stem	Brass - 37700
6	O-ring	Viton
7	Packing	PTFE
8	Packing Gland	Brass - 37700
9	Handle	Steel
10	Lock Washer	Steel
11	Handle Nut	304 Stainless Steel

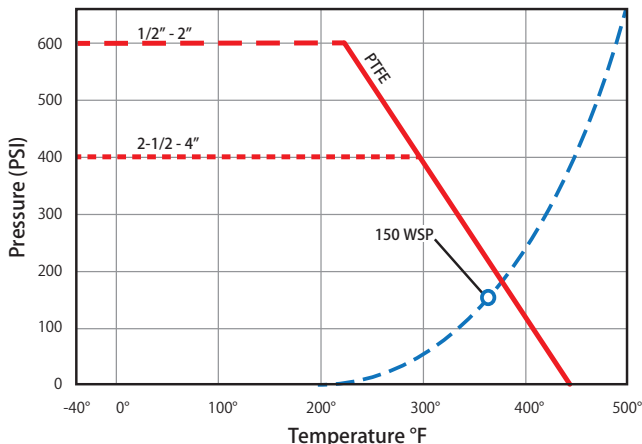
\*1" - 4" have 316SS ball

## Dimensions

Part No.	Size	A	B	C	D	E
150-113G	1/2"	1.97	1.78	3.94	0.59	0.50
150-114G	3/4"	2.74	1.94	3.94	0.79	0.75
150-115G	1"	3.35	2.20	4.33	0.98	0.88
150-116G	1-1/4"	3.78	2.54	5.00	1.26	0.96
150-117G	1-1/2"	4.42	3.00	6.18	1.57	1.10
150-118G	2"	5.34	3.34	6.18	1.97	1.34
150-119G	2-1/2"	6.24	4.78	9.45	2.56	1.48
150-120G	3"	7.11	5.17	9.45	2.95	1.65
150-121G	4"	9.11	5.81	9.45	3.90	2.17

## Valve Seat Rating

600 WOG - 150 WSP



**WARNING:** This product can expose you to chemicals including lead, which is known to the State of California to cause cancer, and lead, which is known to the State of California to cause birth defects or other reproductive harm. For more information go to [www.P65Warnings.ca.gov](http://www.P65Warnings.ca.gov).

# Lead Free Brass Ball Valve



2 Piece • Full Port • Threaded Connection • 600 WOG •  
Stainless Steel Ball and Stem • with Latch Lock Handle



CRN# OC16654.5

JF-100TG-LH

## Features

- Dezincification resistant brass
- Gland follower and single o-ring stem design
- Blow-out proof stem
- Stainless steel ball and stem
- 100% leak tested
- Wetted surfaces contain less than .25% lead content

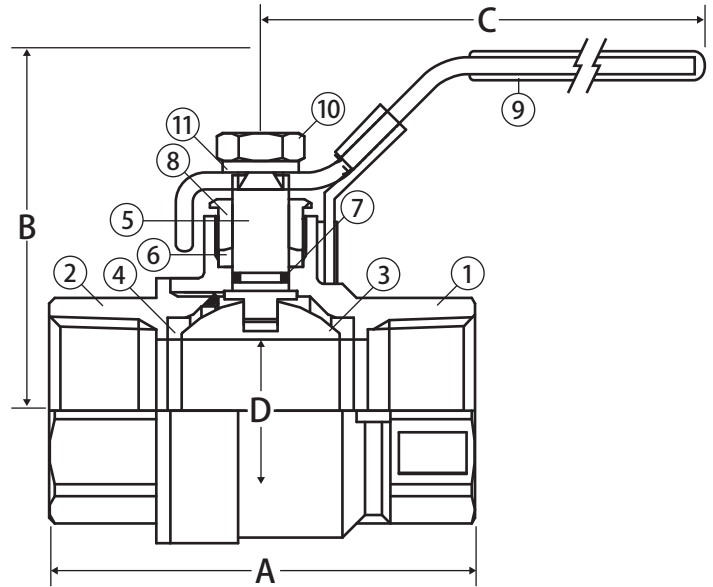
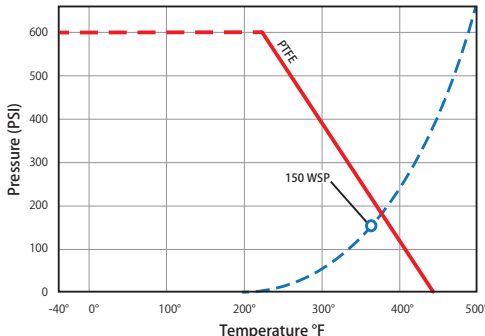
## Approvals



- UL Listed up to 175 PSI (1/4" - 2")
  - MHKZ - Manual valves
  - YRPV - Gas shut-off valves
- IAPMO Certified
  - NSF 61-8
  - NSF 372
  - Uniform Plumbing Code (cUPC)
    - IAPMO/ANSI Z1157-2014
    - NSF/ANSI 14-2014
- CSA Certified
  - CGA 3.16 (125 PSIG) (1/4" - 2")
  - ANSI Z21.15 (.5 PSIG) (1/4" - 2")
  - CGA CR91 (5 PSIG) (1/4" - 2")
  - ASME B16.44 (5 PSIG) (1/4" - 2")
  - ASME B16.33 (125PSIG) (1/2" - 2")
- FM Approval (1/4" - 2")
- MSS SP-110
- ANSI B1.20.1
- RoHS Compliant

## Valve Seat Rating

600 WOG - 150 WSP



## Material Specifications

No.	Part	Materials
1	Body	Lead Free Brass - C46500
2	End Connection	Lead Free Brass - C46500
3	Ball	304 Stainless Steel
4	Seat (2)	PTFE
5	Stem	304 Stainless Steel
6	Packing	PTFE
7	Stem O-ring	Buna-N
8	Packing Gland	Lead Free Brass - C46500
9	Handle	Steel - Chrome Plated
10	Handle Nut	Steel - Chrome Plated
11	Lock Washer	Steel - Chrome Plated

## Dimensions

Part No.	Size	A	B	C	D
100-101SSGLH	1/4"	1.73	2.63	4.49	0.39
100-102SSGLH	3/8"	1.73	2.63	4.49	0.39
100-103SSGLH	1/2"	2.28	2.69	4.49	0.59
100-104SSGLH	3/4"	2.52	2.91	4.86	0.75
100-105SSGLH	1"	2.97	3.22	4.86	0.98
100-106SSGLH	1-1/4"	3.44	3.45	5.59	1.26
100-107SSGLH	1-1/2"	3.88	3.59	5.59	1.57
100-108SSGLH	2"	4.29	3.97	5.59	1.97
100-109SSGLH	2-1/2"	5.59	4.88	7.35	2.52
100-110SSGLH	3"	6.34	5.25	7.35	2.95



**WARNING:** This product can expose you to chemicals including lead, which is known to the State of California to cause cancer, and lead, which is known to the State of California to cause birth defects or other reproductive harm. For more information go to [www.P65Warnings.ca.gov](http://www.P65Warnings.ca.gov).

LIT-JV-C 082018

# Lead Free Brass Ball Valve

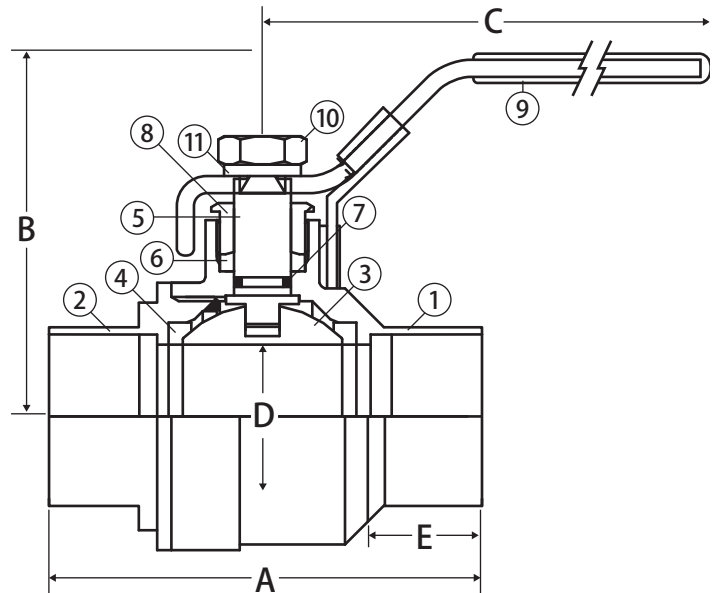
2 Piece • Full Port • Solder Connection • 600 WOG •

Stainless Steel Ball and Stem • with Latch Lock Handle



JF-100SG-LH

CRN# OC16654.5



### Features

- Gland follower and single o-ring stem design
- Blow-out proof stem
- Stainless steel ball and stem
- 100% leak tested
- Wetted surfaces contain less than .25% lead content

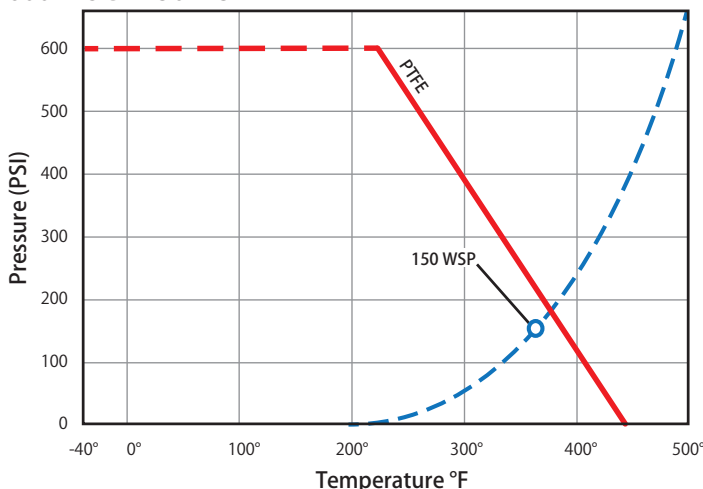
### Approvals



- UL Listed up to 175 PSI (1/2" - 2")
  - MHKZ - Manual valves
  - YRPV - Gas shut-off valves
- IAPMO Certified
  - NSF 61-8
  - NSF 372
  - Uniform Plumbing Code (cUPC)
    - IAPMO/ANSI Z1157-2014
    - NSF/ANSI 14-2014
- FM Approval (1/2" - 1-1/2" 600 WOG, 2" 500 WOG)
- MSS SP-110
- ASME/ANSI B16.18
- RoHS Compliant

### Valve Seat Rating

600 WOG - 150 WSP



### Material Specifications

No.	Part	Materials
1	Body	Lead Free Brass - C46400
2	End Connection	Lead Free Brass - C46400
3	Ball	304 Stainless Steel
4	Seat (2)	PTFE
5	Stem	304 Stainless Steel
6	Packing	PTFE
7	Stem O-ring	Buna-N
8	Packing Gland	Lead Free Brass - C46400
9	Handle	Steel - Chrome Plated
10	Handle Nut	Steel - Chrome Plated
11	Lock Washer	Steel - Chrome Plated

### Dimensions

Part No.	Size	A	B	C	D	E
100-113SSGLH	1/2"	2.17	2.69	4.49	0.59	0.50
100-114SSGLH	3/4"	2.80	2.91	4.86	0.75	0.75
100-115SSGLH	1"	3.27	3.22	4.86	0.98	0.86
100-116SSGLH	1-1/4"	4.10	3.45	5.59	1.26	1.08
100-117SSGLH	1-1/2"	4.33	3.59	5.59	1.57	0.98
100-118SSGLH	2"	5.34	3.97	5.59	1.97	1.21
100-119SSGLH	2-1/2"	6.39	4.88	7.35	2.52	1.48
100-120SSGLH	3"	7.10	5.25	7.35	2.95	1.66
100-121SSGLH	4"	9.56			3.90	2.22

**WARNING:** This product can expose you to chemicals including lead, which is known to the State of California to cause cancer, and lead, which is known to the State of California to cause birth defects or other reproductive harm. For more information go to [www.P65Warnings.ca.gov](http://www.P65Warnings.ca.gov).

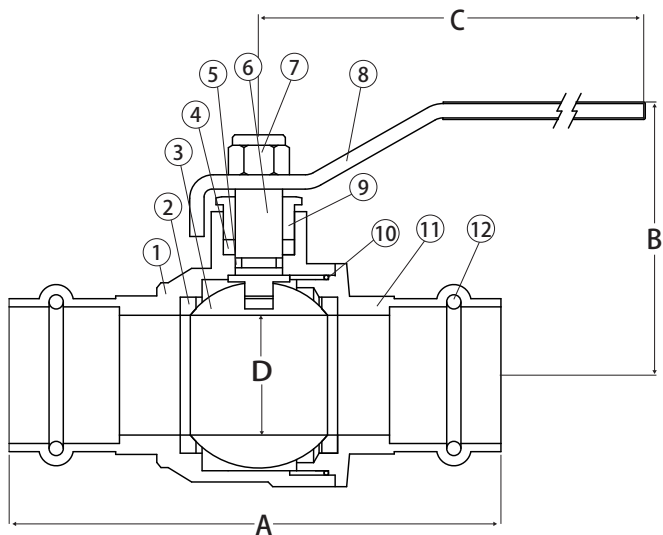
# Lead Free Brass Ball Valve



2 Piece • Full Port • Press Connection • 250 WOG



JP-150G



## Features

- Dezincification resistant brass
- Gland follower and single o-ring stem design
- Blow-out proof stem
- 100% leak tested
- Wetted surfaces contain less than .25% lead content

## Approvals

- NSF 61-8
- NSF 372
- NSF 14
- Conforms to IAPMO PS 117
- RoHS Compliant

## Pressure/Temperature Rating

- 250 WOG
- Max. 250° F



**WARNING:** This product can expose you to chemicals including lead, which is known to the State of California to cause cancer, and lead, which is known to the State of California to cause birth defects or other reproductive harm. For more information go to [www.P65Warnings.ca.gov](http://www.P65Warnings.ca.gov).

## Material Specifications

No.	Part	Materials
1	Body	Lead Free Brass - C46500
2	Seat	PTFE
3	Ball	Lead Free Brass - C46500
4	Packing	PTFE
5	O-ring	Buna-N
6	Stem	Lead Free Brass - C46500
7	Handle Nut	Steel - Chrome Plated
8	Handle	Steel - Chrome Plated
9	Packing Nut	Brass - C37700
10	O-Ring	NBR
11	Cap	Lead Free Brass - C46500
12	O-Ring	EPDM

## Dimensions

Part No.	Size	A	B	C	D
150-203G	1/2"	3.19	1.81	3.46	0.59
150-204G	3/4"	3.60	2.09	4.29	0.75
150-205G	1"	3.92	2.25	4.29	0.98
150-206G	1-1/4"	4.41	2.52	5.63	1.26
150-207G	1-1/2"	5.35	2.74	5.63	1.57
150-208G	2"	6.49	3.03	5.63	1.94

LT-JV-C 082018



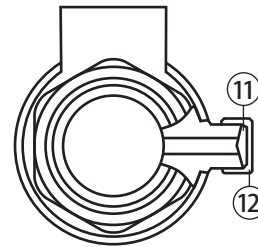
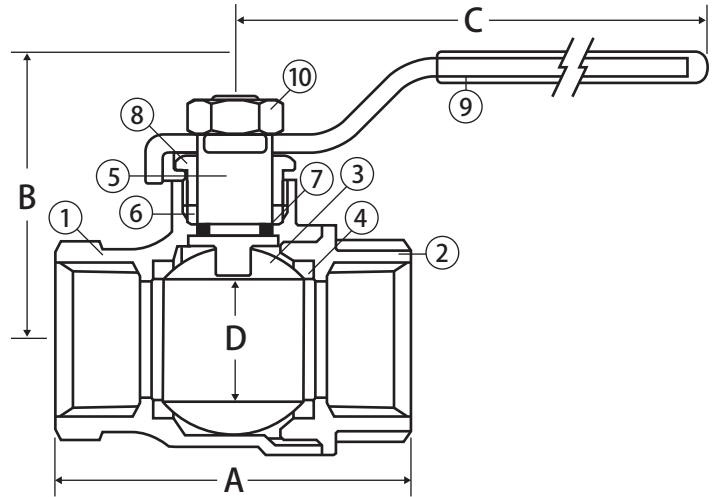
# Lead Free Brass Ball Valve



2 Piece • Full Port • Threaded Connection • 600 WOG •  
Stainless Steel Ball and Stem • with Drain



T-110G



## Features

- Dezincification resistant brass
- Gland follower and single o-ring stem design
- Blow-out proof stem
- 100% leak tested
- Wetted surfaces contain less than .25% lead content

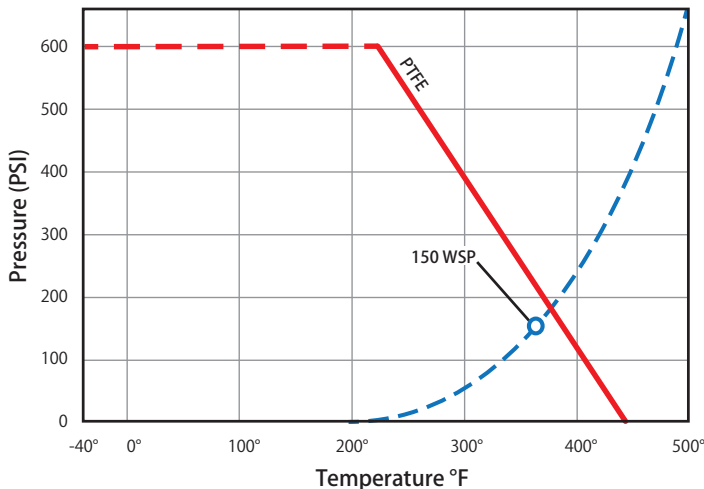
## Approvals



- IAPMO Certified
  - NSF 61-8
  - NSF 372
  - Uniform Plumbing Code (cUPC)
    - IAPMO/ANSI Z1157-2014
    - NSF/ANSI 14-2014
- MSS SP-110
- ANSI B1.20.1
- RoHS Compliant

## Valve Seat Rating

600 WOG - 150 WSP



## Material Specifications

No.	Part	Materials
1	Body	Lead Free Brass - C46500
2	End Connection	Lead Free Brass - C46500
3	Ball	304 Stainless Steel
4	Seat (2)	PTFE
5	Stem	304 Stainless Steel
6	Packing	PTFE
7	Stem O-ring	Buna-N
8	Packing Gland	Lead Free Brass - C46500
9	Handle	Steel - Chrome Plated
10	Handle Nut	Steel - Chrome Plated
11	Flat Washer	Buna-N
12	Bleeder Cap	Lead Free Brass - C46400

## Dimensions

Part No.	Size	A	B	C	D
100-633G	1/2"	2.01	1.54	3.31	0.50
100-634G	3/4"	2.36	1.97	4.65	0.79
100-635G	1"	2.88	2.13	4.65	1.00



**WARNING:** This product can expose you to chemicals including lead, which is known to the State of California to cause cancer, and lead, which is known to the State of California to cause birth defects or other reproductive harm. For more information go to [www.P65Warnings.ca.gov](http://www.P65Warnings.ca.gov).

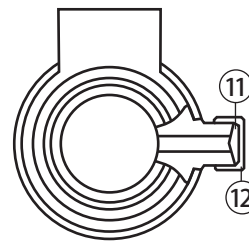
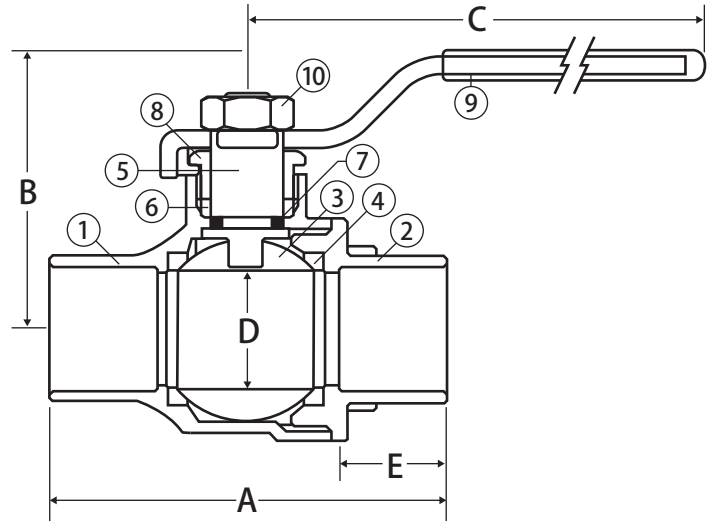
# Lead Free Brass Ball Valve



2 Piece • Full Port • Solder Connection • 600 WOG •  
Stainless Steel Ball and Stem • with Drain



S-110G



## Features

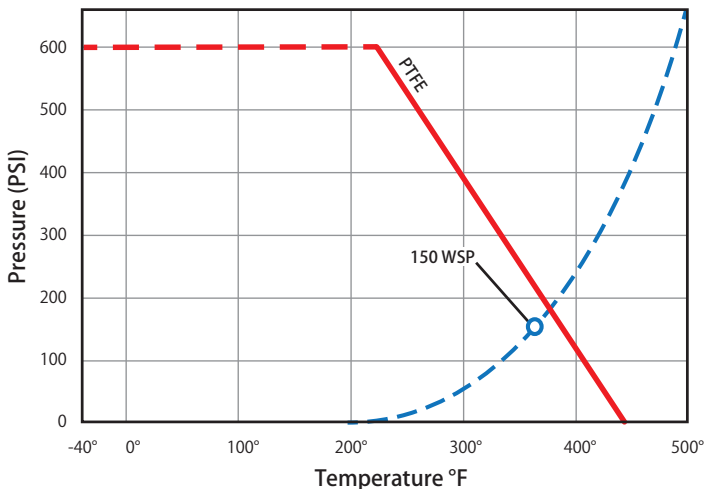
- Dezincification resistant brass
- Gland follower and single o-ring stem design
- Blow-out proof stem
- 100% leak tested
- Wetted surfaces contain less than .25% lead content

## Approvals



- IAPMO Certified
  - NSF 61-8
  - NSF 372
  - Uniform Plumbing Code (cUPC)
    - IAPMO/ANSI Z1157-2014
    - NSF/ANSI 14-2014
- MSS SP-110
- ASME/ANSI B16.18
- RoHS Compliant

## Valve Seat Rating 600 WOG - 150 WSP



## Material Specifications

No.	Part	Materials
1	Body	Lead Free Brass - C46500
2	End Connection	Lead Free Brass - C46500
3	Ball	304 Stainless Steel
4	Seat (2)	PTFE
5	Stem	304 Stainless Steel
6	Packing	PTFE
7	Stem O-ring	Buna-N
8	Packing Gland	Lead Free Brass - C46500
9	Handle	Steel - Chrome Plated
10	Handle Nut	Steel - Chrome Plated
11	Flat Washer	Buna-N
12	Bleeder Cap	Lead Free Brass - C46500

## Dimensions

Part No.	Size	A	B	C	D	E
100-643G	1/2"	1.93	1.54	3.31	0.50	0.50
100-644G	3/4"	2.76	1.97	4.65	0.79	0.75
100-645G	1"	3.31	2.13	4.65	1.00	0.86

**WARNING:** This product can expose you to chemicals including lead, which is known to the State of California to cause cancer, and lead, which is known to the State of California to cause birth defects or other reproductive harm. For more information go to [www.P65Warnings.ca.gov](http://www.P65Warnings.ca.gov).

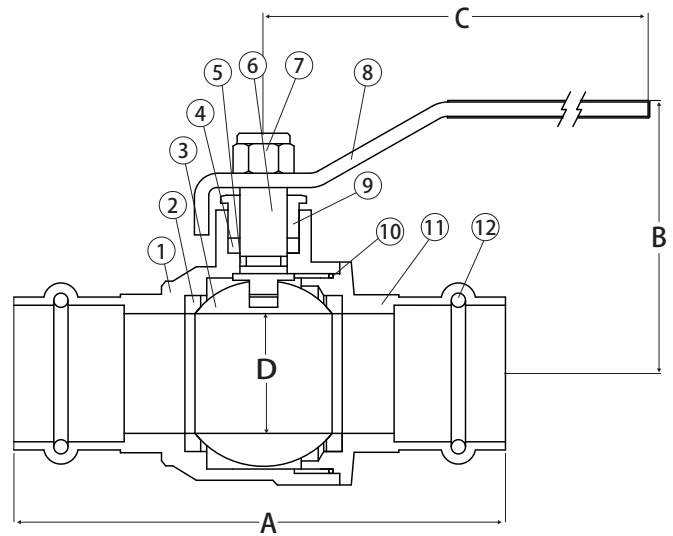
LT-JV-C 082018

# Lead Free Brass Ball Valve

**2 Piece • Full Port • Press Connection • Stainless Steel Ball and Stem • Drain • 250 WOG**



**JP-110G**



### Features

- Dezincification resistant brass
- Gland follower and single o-ring stem design
- Blow-out proof stem
- 100% leak tested
- Wetted surfaces contain less than .25% lead content

### Approvals

- IAMPO Certified
  - NSF 372
  - NSF 14
- Conforms to IAPMO PS 117

### Pressure/Temperature Rating

- 250 WOG
- Max. 250° F

### Material Specifications

No.	Part	Materials
1	Body	Lead Free Brass - C46500
2	Seat	PTFE
3	Ball	304 Stainless Steel
4	Packing	PTFE
5	O-ring	Buna-N
6	Stem	304 Stainless Steel
7	Handle Nut	Steel - Chrome Plated
8	Handle	Steel - Chrome Plated
9	Packing Nut	Brass - C37700
10	O-Ring	NBR
11	Cap	Lead Free Brass - C46500
12	O-Ring	EPDM
13	Flat Washer*	Buna-N
14	Bleeder Cap*	Brass - C37700

\*Not shown

### Dimensions

Part No.	Size	A	B	C	D
150-233G	1/2"	3.35	1.81	3.46	0.59
150-234G	3/4"	3.76	2.09	2.28	0.75
150-235G	1"	4.07	2.25	4.29	0.98

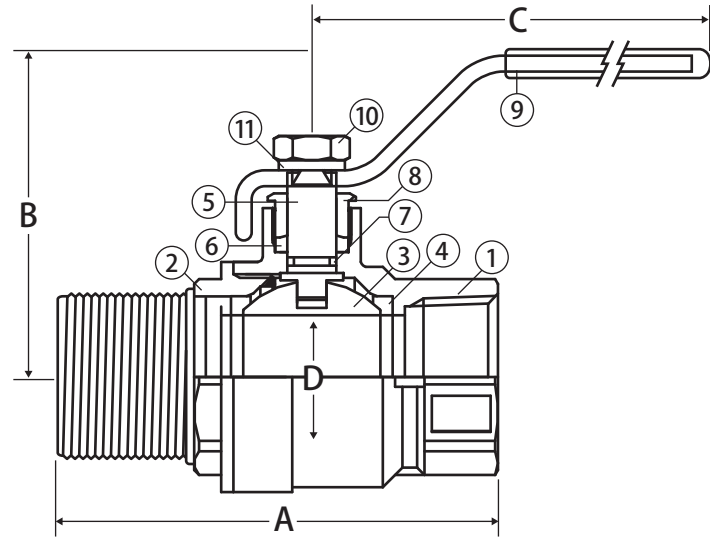
# Lead Free Brass Ball Valve



2 Piece • Full Port • Male x Female Connections • 600 WOG •  
Stainless Steel Ball and Stem



JF-100GMxF



## Features

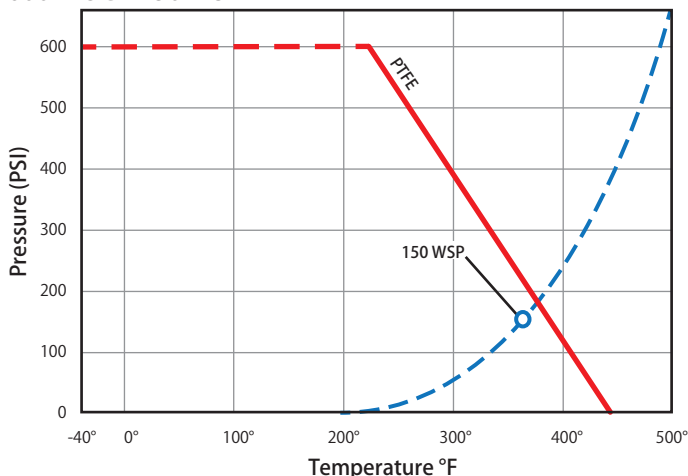
- Gland follower and single o-ring stem design
- Blow-out proof stem
- 100% leak tested
- Wetted surfaces contain less than .25% lead content

## Approvals



- UL Listed up to 175 PSI (1/4" - 1")
  - MHKZ - Manual valves
  - YRPV - Gas shut-off valves
- IAPMO Certified
  - NSF 61-8
  - NSF 372
  - Uniform Plumbing Code (cUPC)
    - IAPMO/ANSI Z1157-2014
    - NSF/ANSI 14-2014
- FM Approval (1/2" - 2")
- MSS SP-110
- ANSI B1.20.1
- RoHS Compliant

## Valve Seat Rating 600 WOG - 150 WSP



## Material Specifications

No.	Part	Materials
1	Body	Lead Free Brass - C46400
2	End Connection	Lead Free Brass - C46400
3	Ball	304 Stainless Steel
4	Seat (2)	PTFE
5	Stem	304 Stainless Steel
6	Packing	PTFE
7	Stem O-ring	Buna-N
8	Packing Gland	Lead Free Brass - C46400
9	Handle	Steel - Chrome Plated
10	Handle Nut	Steel - Chrome Plated
11	Lock Washer	Steel - Chrome Plated

## Dimensions

Part No.	Size	A	B	C	D
100-131G	1/4"	2.05	1.41	3.54	0.25
100-132G	3/8"	2.13	1.41	3.54	0.37
100-133G	1/2"	2.50	1.50	3.54	0.50
100-134G	3/4"	2.86	1.79	4.55	0.75
100-135G	1"	3.27	1.00	4.55	1.00



**WARNING:** This product can expose you to chemicals including lead, which is known to the State of California to cause cancer, and lead, which is known to the State of California to cause birth defects or other reproductive harm. For more information go to [www.P65Warnings.ca.gov](http://www.P65Warnings.ca.gov).

LIT-JV-C 082018

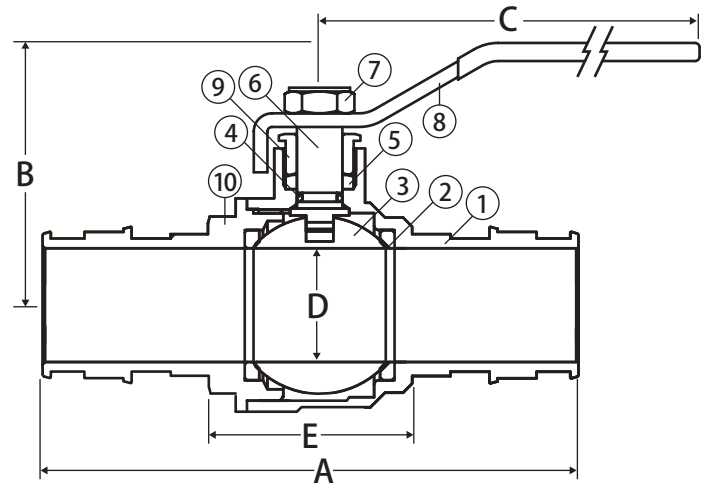
# Lead Free Brass Ball Valve



2 Piece • Standard Port • Expansion Pex Connection • 400 WOG  
• Stainless Steel Ball and Stem



T-422G



## Features

- Gland follower and single o-ring stem design
- Blow-out proof stem
- 100% leak tested
- Wetted surfaces contain less than .25% lead content

## Approvals



- ASTM F1960
- RoHS Compliant
- IAPMO Certified
  - NSF 61-8
  - NSF 372
  - Uniform Plumbing Code (cUPC)
    - IAPMO/ANSI Z1157-2014
    - NSF/ANSI 14-2014

## Pressure Rating

- Body rated to 400 WOG
- Expansion connection rated to 150 WOG up to 200°F



**WARNING:** This product can expose you to chemicals including lead, which is known to the State of California to cause cancer, and lead, which is known to the State of California to cause birth defects or other reproductive harm. For more information go to [www.P65Warnings.ca.gov](http://www.P65Warnings.ca.gov).

## Material Specifications

No.	Part	Materials
1	Body	Lead Free Brass - C46400
2	Seat	PTFE
3	Ball	304 Stainless Steel
4	O-ring	Buna-N
5	Packing	PTFE
6	Stem	304 Stainless Steel
7	Handle Nut	Steel - Chrome Plated
8	Handle	Steel - Chrome Plated
9	Packing Nut	Brass - C37700
10	End Connection	Lead Free Brass - C46400

## Dimensions

Part No.	Size	A	B	C	D	E
104-523PG	1/2"	2.58	1.69	3.35	0.39	1.61
104-524PG	3/4"	3.31	1.81	3.35	0.61	1.42
104-525PG	1"	3.98	2.09	4.29	0.81	1.61
104-526PG	1-1/4"	4.65	2.25	4.29	0.98	1.76
104-527PG	1-1/2"	5.52	2.45	5.63	1.10	2.10
104-528PG	2"	6.91	2.74	5.63	1.58	2.62
104-529G	2-1/2"	8.80	3.04	5.63	2.01	3.17
104-530G	3"	10.75	4.25	7.76	2.44	4.00

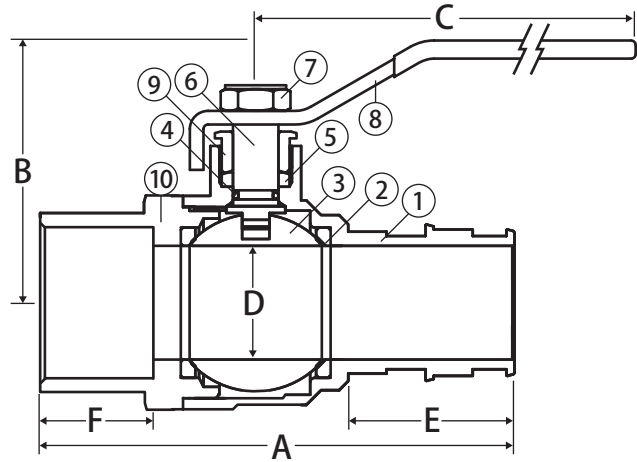
# Lead Free Brass Ball Valve



2 Piece • Standard Port • Solder x Expansion Pex Connection • 400 WOG • Stainless Steel Ball and Stem



S-422G



## Features

- Dezincification resistant brass
- Gland follower and single o-ring stem design
- Blow-out proof stem
- 100% leak tested
- Wetted surfaces contain less than .25% lead content

## Approvals



- ASTM F1960
- IAPMO Certified
  - NSF 61-8
  - NSF 372
  - Uniform Plumbing Code (cUPC)
    - IAPMO/ANSI Z1157-2014
    - NSF/ANSI 14-2014
- ASME/ANSI B16.18
- Ro HS Compliant

## Pressure Rating

- Body rated to 400 WOG
- Expansion connection rated to 150 WOG up to 200°F



**WARNING:** This product can expose you to chemicals including lead, which is known to the State of California to cause cancer, and lead, which is known to the State of California to cause birth defects or other reproductive harm. For more information go to [www.P65Warnings.ca.gov](http://www.P65Warnings.ca.gov).

## Material Specifications

No.	Part	Materials
1	Body	Lead Free Brass - C46500
2	Seat	PTFE
3	Ball	304 Stainless Steel
4	O-ring	Buna-N
5	Packing	PTFE
6	Stem	304 Stainless Steel
7	Handle Nut	Steel - Chrome Plated
8	Handle	Steel - Chrome Plated
9	Packing Nut	Brass - C37700
10	End Connection	Lead Free Brass - C46500

## Dimensions

Part No.	Size	A	B	C	D	E	F
104-533PG	1/2"	2.40	1.19	3.35	0.39	0.71	0.50
104-534PG	3/4"	2.84	1.81	3.35	0.61	0.94	0.75

LT-JV-C 082018

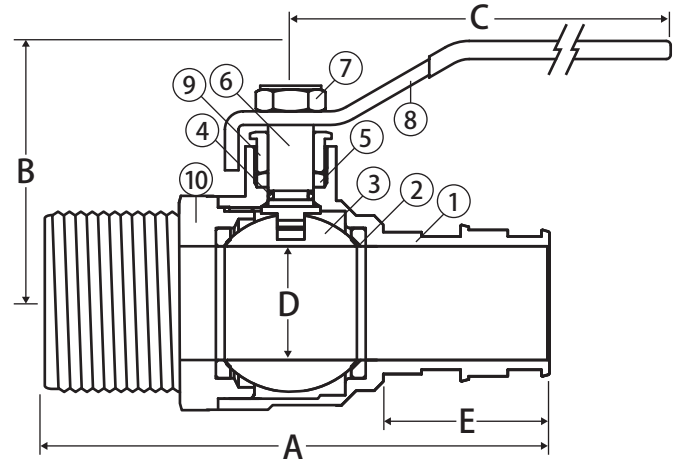
# Lead Free Brass Ball Valve



2 Piece • Standard Port • Threaded Male x Expansion Pex Connection • 400 WOG • Stainless Steel Ball and Stem



T-422G MIP



## Features

- Gland follower and single o-ring stem design
- Blow-out proof stem
- 100% leak tested
- Wetted surfaces contain less than .25% lead content

## Approvals



- ASTM F1960
- IAPMO Certified
  - NSF 61-8
  - NSF 372
  - Uniform Plumbing Code (cUPC)
    - IAPMO/ANSI Z1157-2014
    - NSF/ANSI 14-2014
- ANSI B1.20.1
- RoHS Compliant

## Material Specifications

No.	Part	Materials
1	Body	Lead Free Brass - C46400
2	Seat	PTFE
3	Ball	304 Stainless Steel
4	O-ring	Buna-N
5	Packing	PTFE
6	Stem	304 Stainless Steel
7	Handle Nut	Steel - Chrome Plated
8	Handle	Steel - Chrome Plated
9	Packing Nut	Brass - C37700
10	End Connection	Lead Free Brass - C46400

## Dimensions

Part No.	Size	A	B	C	D	E
104-534MPG	3/4"	3.17	1.81	3.35	0.61	0.94

## Pressure Rating

- Body rated to 400 WOG
- Expansion connection rated to 150 WOG up to 200°F



**WARNING:** This product can expose you to chemicals including lead, which is known to the State of California to cause cancer, and lead, which is known to the State of California to cause birth defects or other reproductive harm. For more information go to [www.P65Warnings.ca.gov](http://www.P65Warnings.ca.gov).

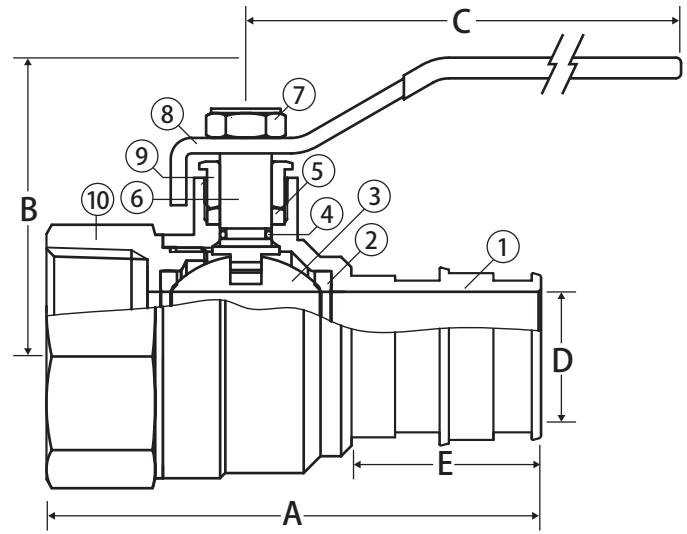
# Lead Free Brass Ball Valve



2 Piece • Standard Port • Threaded Female x Expansion Pex Connection • 400 WOG • Stainless Steel Ball and Stem



T-422G FIP



## Features

- Gland follower and single o-ring stem design
- Blow-out proof stem
- 100% leak tested
- Wetted surfaces contain less than .25% lead content

## Approvals



- ASTM F1960
- IAPMO Certified
  - NSF 61-8
  - NSF 372
  - Uniform Plumbing Code (CUPC)
    - IAPMO/ANSI Z1157-2014
    - NSF/ANSI 14-2014
- ANSI B1.20.1
- RoHS Compliant

## Pressure Rating

- Body rated to 400 WOG
- Expansion connection rated to 150 WOG up to 200°F



**WARNING:** This product can expose you to chemicals including lead, which is known to the State of California to cause cancer, and lead, which is known to the State of California to cause birth defects or other reproductive harm. For more information go to [www.P65Warnings.ca.gov](http://www.P65Warnings.ca.gov).

## Material Specifications

No.	Part	Materials
1	Body	Lead Free Brass - C46400
2	Seat	PTFE
3	Ball	304 Stainless Steel
4	O-ring	Buna-N
5	Packing	PTFE
6	Stem	304 Stainless Steel
7	Handle Nut	Steel - Chrome Plated
8	Handle	Steel - Chrome Plated
9	Packing Nut	Brass - C37700
10	End Connection	Lead Free Brass - C46400

## Dimensions

Part No.	Size	A	B	C	D	E
104-554PG	3/4"	2.68	1.81	3.35	0.61	0.94
104-555PG	1"	3.33	2.09	4.29	0.81	1.18

LT-JV-C 082018



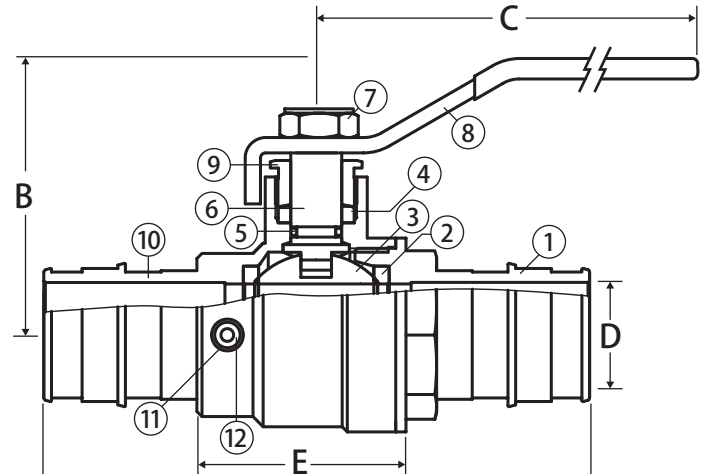
# Lead Free Brass Ball Valve



2 Piece • Standard Port • Expansion Pex Connection • 400 WOG • with Stainless Steel Ball and Stem • with Drain



T-423G



## Features

- Gland follower and single o-ring stem design
- Blow-out proof stem
- 100% leak tested
- Wetted surfaces contain less than .25% lead content

## Approvals



- ASTM F1960
- RoHS Compliant
- IAPMO Certified
  - NSF 61-8
  - NSF 372
  - Uniform Plumbing Code (cUPC)
    - IAPMO/ANSI Z1157-2014
    - NSF/ANSI 14-2014

## Pressure Rating

- Body rated to 400 WOG
- Expansion connection rated to 150 WOG up to 200°F

## Material Specifications

No.	Part	Materials
1	End Connection	Lead Free Brass - C46400
2	Seat	PTFE
3	Ball	304 Stainless Steel
4	Packing	PTFE
5	O-ring	Buna-N
6	Stem	304 Stainless Steel
7	Handle Nut	Steel - Chrome Plated
8	Handle	Steel - Chrome Plated
9	Packing Nut	Brass - C37700
10	Body	Lead Free Brass - C46400
11	Cap	Brass - C37700
12	Gasket	EPDM

## Dimensions

Part No.	Size	A	B	C	D	E
104-543PG	1/2"	2.98	1.69	3.35	0.39	1.45
104-544PG	3/4"	3.48	1.81	3.35	0.61	1.60



**WARNING:** This product can expose you to chemicals including lead, which is known to the State of California to cause cancer, and lead, which is known to the State of California to cause birth defects or other reproductive harm. For more information go to [www.P65Warnings.ca.gov](http://www.P65Warnings.ca.gov).

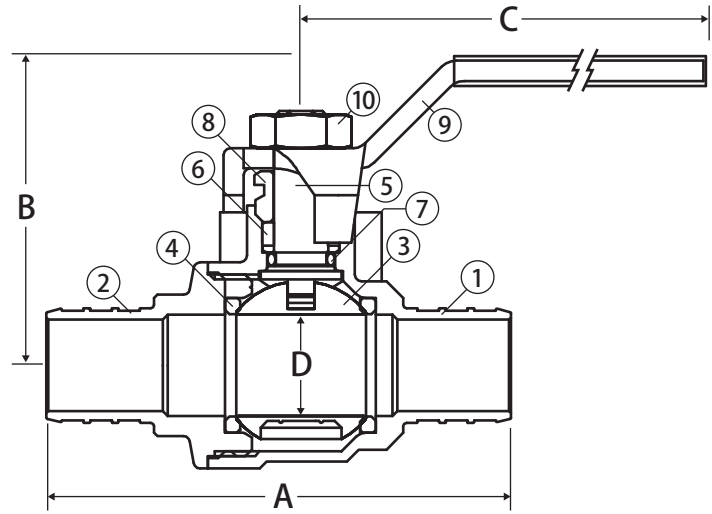
# Lead Free Brass Ball Valve



2 Piece • Standard Port • Crimp Pex Connection • 400 WOG



T-412G



## Features

- Dezincification resistant brass
- Gland follower and single o-ring stem design
- Blow-out proof stem
- 100% leak tested
- Wetted surfaces contain less than .25% lead content

## Approvals



- ASTM F1807
- RoHS Compliant
- IAPMO Certified
  - NSF 61-8
  - NSF 372
  - Uniform Plumbing Code (cUPC)
    - IAPMO/ANSI Z1157-2014
    - NSF/ANSI 14-2014

## Pressure Rating

- Body rated to 400 WOG
- Crimp connection rated to 100 WOG up to 180°F



WARNING: This product can expose you to chemicals including lead, which is known to the State of California to cause cancer, and lead, which is known to the State of California to cause birth defects or other reproductive harm. For more information go to [www.P65Warnings.ca.gov](http://www.P65Warnings.ca.gov).

## Material Specifications

No.	Part	Materials
1	Body	Lead Free Brass - C46500
2	End Connection	Lead Free Brass - C46500
3	Ball	Chrome Plated Lead Free Brass - C46500
4	Seat (2)	PTFE
5	Stem	Lead Free Brass - C46500
6	Packing	PTFE
7	Stem O-ring	EPDM
8	Packing Gland	Lead Free Brass - C37700
9	Handle	Steel
10	Handle Nut	SS304 Stainless Steel

## Dimensions

Part No.	Size	A	B	C	D
103-523PG	1/2"	2.47	1.50	3.41	0.47
103-524PG	3/4"	2.72	1.57	3.36	0.67
103-525PG	1"	3.27	1.57	3.15	0.86
103-526PG	1-1/4"	3.62	2.16	4.29	0.86

LT-JV-C 082018

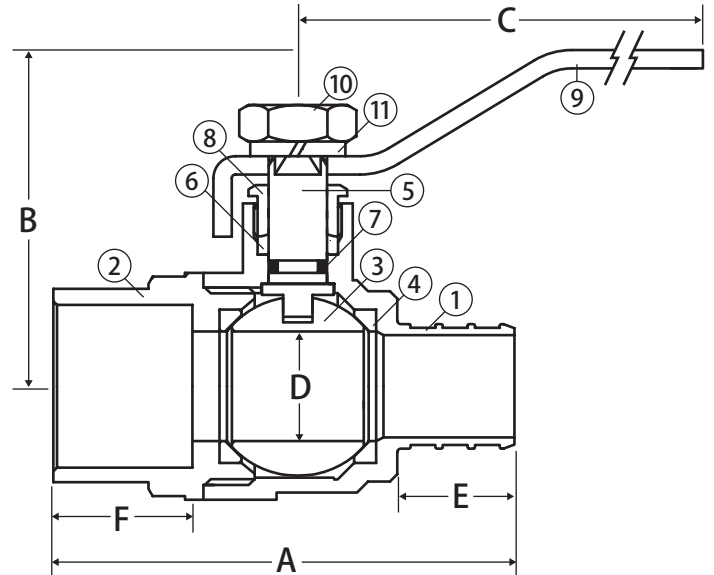
# Lead Free Brass Ball Valve



2 Piece • Standard Port • Solder x Crimp Pex Connection •  
600 WOG



S-412G



## Features

- Dezincification resistant brass
- Gland follower and single o-ring stem design
- Blow-out proof stem
- 100% leak tested
- Wetted surfaces contain less than .25% lead content

## Approvals



- ASTM F1807
- IAPMO Certified
  - NSF 61-8
  - NSF 372
  - Uniform Plumbing Code (cUPC)
    - IAPMO/ANSI Z1157-2014
    - NSF/ANSI 14-2014
- ASME/ANSI B16.18
- RoHS Compliant

## Pressure Rating

- Body rated to 600 WOG
- Crimp connection rated to 100 WOG up to 180°F



**WARNING:** This product can expose you to chemicals including lead, which is known to the State of California to cause cancer, and lead, which is known to the State of California to cause birth defects or other reproductive harm. For more information go to [www.P65Warnings.ca.gov](http://www.P65Warnings.ca.gov).

## Material Specifications

No.	Part	Materials
1	Body	Lead Free Brass - C46500
2	End Connection	Lead Free Brass - C46500
3	Ball	Lead Free Brass - C46500
4	Seat (2)	PTFE
5	Stem	Lead Free Brass - C46500
6	Packing	PTFE
7	Stem O-ring	Buna-N
8	Packing Gland	Lead Free Brass - C46500
9	Handle	Steel - Chrome Plated
10	Handle Nut	Steel - Chrome Plated
11	Lock Washer	Steel - Chrome Plated

## Dimensions

Part No.	Size	A	B	C	D	E	F
103-533PG	1/2"	2.05	1.65	3.54	0.35	0.63	0.51
103-534PG	3/4"	2.48	1.72	3.54	0.53	0.63	0.75
105-535PG	1"	3.05	1.95	4.29	0.71	0.80	0.86

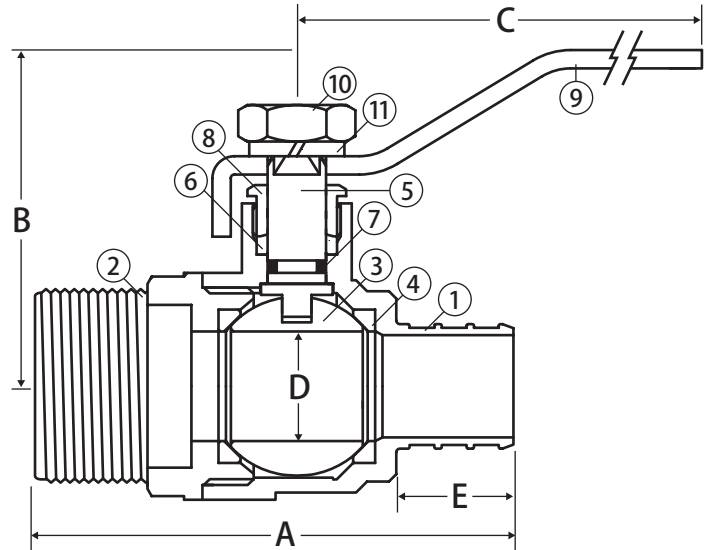
# Lead Free Brass Ball Valve



2 Piece • Standard Port • Threaded Male x Crimp Pex  
Connection • 600 WOG



T-412G MIP



## Features

- Gland follower and single o-ring stem design
- Blow-out proof stem
- 100% leak tested
- Wetted surfaces contain less than .25% lead content

## Approvals



- ASTM F1807
- RoHS Compliant
- CSA Certified
  - ASME A112.4.14
- IAPMO Certified
  - NSF 61-8
  - NSF 372
  - Uniform Plumbing Code (cUPC)
    - IAPMO/ANSI Z1157-2014
    - NSF/ANSI 14-2014
  - ASME/ANSI B16.18

## Pressure Rating

- Body rated to 600 WOG
- Crimp connection rated to 100 WOG up to 180°F



**WARNING:** This product can expose you to chemicals including lead, which is known to the State of California to cause cancer, and lead, which is known to the State of California to cause birth defects or other reproductive harm. For more information go to [www.P65Warnings.ca.gov](http://www.P65Warnings.ca.gov).

## Material Specifications

No.	Part	Materials
1	Body	Lead Free Brass - C46400
2	End Connection	Lead Free Brass - C46400
3	Ball	304 Stainless Steel
4	Seat (2)	PTFE
5	Stem	304 Stainless Steel
6	Packing	PTFE
7	Stem O-ring	Buna-N
8	Packing Gland	Lead Free Brass - C46400
9	Handle	Steel - Chrome Plated
10	Handle Nut	Steel - Chrome Plated
11	Lock Washer	Steel - Chrome Plated

## Dimensions

Part No.	Size	A	B	C	D	E
103-534MPG	3/4"	2.58	1.65	3.54	0.53	0.63

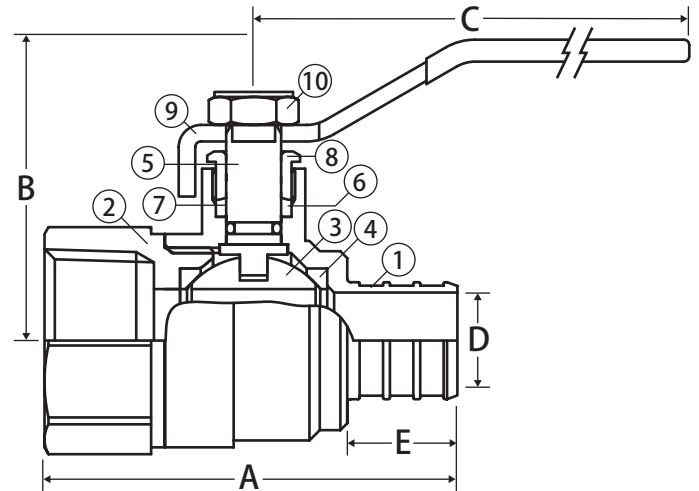
LT-JV-C 082018

# Lead Free Brass Ball Valve

2 Piece • Standard Port • Threaded Female x Crimp Pex Connection • 600 WOG



T-412G FIP



### Features

- Gland follower and single o-ring stem design
- Blow-out proof stem
- 100% leak tested
- Wetted surfaces contain less than .25% lead content

### Approvals

- ASTM F1807
- CSA Certified
  - ASME A112.4.14
- IAPMO Certified
  - NSF 61-8
  - NSF 372
  - Uniform Plumbing Code (cUPC)
    - IAPMO/ANSI Z1157-2014
    - NSF/ANSI 14-2014
- ANSI B1.20.1

### Pressure Rating

- Body rated to 600 WOG
- Crimp connection rated to 100 WOG up to 180°F

**WARNING:** This product can expose you to chemicals including lead, which is known to the State of California to cause cancer, and lead, which is known to the State of California to cause birth defects or other reproductive harm. For more information go to [www.P65Warnings.ca.gov](http://www.P65Warnings.ca.gov).

### Material Specifications

No.	Part	Materials
1	Body	Lead Free Brass - C46400
2	End Connection	Lead Free Brass - C46400
3	Ball	304 Stainless Steel
4	Seat (2)	PTFE
5	Stem	304 Stainless Steel
6	Packing	PTFE
7	Stem O-ring	Buna-N
8	Packing Gland	Lead Free Brass - C46400
9	Handle	Steel - Chrome Plated
10	Handle Nut	Steel - Chrome Plated
11	Lock Washer	Steel - Chrome Plated

### Dimensions

Part No.	Size	A	B	C	D	E
103-554PG	3/4"	2.32	1.81	3.35	0.53	0.63
103-555PG	1"	2.89	2.09	4.29	0.71	0.80

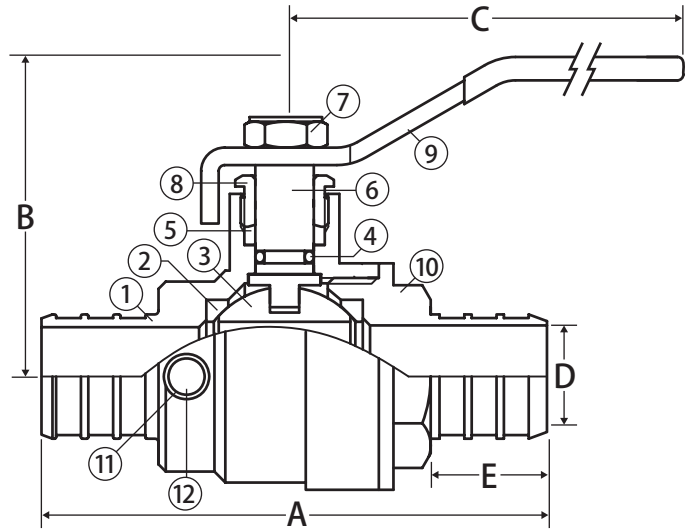
# Lead Free Brass Ball Valve



2 Piece • Standard Port • Crimp Pex Connection • 600 WOG •  
Stainless Steel Ball and Stem • with Drain



T-413G



## Features

- Dezincification resistant brass
- Gland follower and single o-ring stem design
- Drop ear for easy install
- Blow-out proof stem
- 100% leak tested
- Wetted surfaces contain less than .25% lead content

## Approvals

- ASTM F1807
- RoHS Compliant
- CSA Certified
  - ASME A112.4.14
- IAPMO Certified
  - NSF 61-8
  - NSF 372
  - Uniform Plumbing Code (cUPC)
    - IAPMO/ANSI Z1157-2014
    - NSF/ANSI 14-2014

## Pressure Rating

- Body rated to 600 WOG
- Crimp connection rated to 100 WOG up to 180°F

**WARNING:** This product can expose you to chemicals including lead, which is known to the State of California to cause cancer, and lead, which is known to the State of California to cause birth defects or other reproductive harm. For more information go to [www.P65Warnings.ca.gov](http://www.P65Warnings.ca.gov).

## Material Specifications

No.	Part	Materials
1	Body	Lead Free Brass - C46500
2	Seat	PTFE
3	Ball	304 Stainless Steel
4	O-ring	Buna-N
5	Packing	PTFE
6	Stem	304 Stainless Steel
7	Handle Nut	Steel - Chrome Plated
8	Packing Gland	Lead Free Brass - C46500
9	Handle	Steel - Chrome Plated
10	End Connection	Lead Free Brass - C46500
11	Cap	Brass - C37700
12	Gasket	EPDM

## Dimensions

Part No.	Size	A	B	C	D	E
103-543PG	1/2"	2.66	1.65	3.54	0.35	0.63
103-544PG	3/4"	2.82	1.72	3.54	0.53	0.63

LIT-JV-C 082018

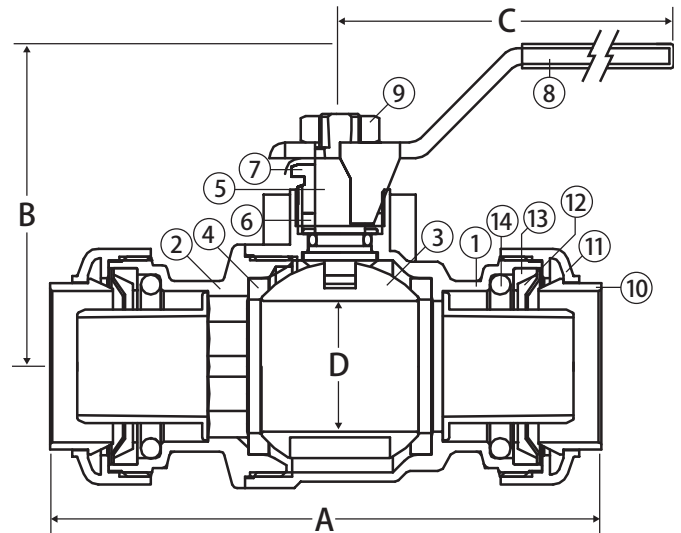
# Lead Free Brass Ball Valve



2 Piece • Full Port • Push-Fit Connection • 200 WOG



JFPG-100



## Features

- Gland follower and single o-ring stem design
- Easy to connect and fit in seconds
- Connects with copper, CPVC and PEX
- Includes two pipe reinforcers and release tool
- Wetted surfaces contain less than .25% lead content

## Approvals

- IAPMO Certified
  - NSF 372
  - Uniform Plumbing Code (cUPC)
    - IAPMO/ANSI Z1157-2014
    - NSF/ANSI 14-2014
- Conforms to ASSE 1061

## Pressure Rating

- Pressure rating: max. 200 PSI
- Temperature range: max. 200° F water service

**WARNING:** This product can expose you to chemicals including lead, which is known to the State of California to cause cancer, and lead, which is known to the State of California to cause birth defects or other reproductive harm. For more information go to [www.P65Warnings.ca.gov](http://www.P65Warnings.ca.gov).

## Material Specifications

No.	Part	Materials
1	Body	Lead Free Brass - C46500
2	End Connection	Lead Free Brass - C46500
3	Ball	Chrome Plated Lead Free Brass - C46500
4	Seat (2)	PTFE
5	Stem	Lead Free Brass - C37700
6	Packing	PTFE
7	Packing Gland	Brass - C37700
8	Handle	Steel
9	Handle Nut	304 Stainless Steel
10	Push Ring	POM
11	Lock Ring	Lead Free Brass - C37700
12	Gripper Ring	Steel
13	Seat Ring	POM
14	O-ring	EPDM

## Dimensions

Part No.	Size	A	B	C	D
100-103JFPG	1/2"	2.95	1.69	3.64	0.59
100-104JFPG	3/4"	3.48	1.83	3.64	0.75
100-105JFPG	1"	4.14	2.42	4.17	0.98

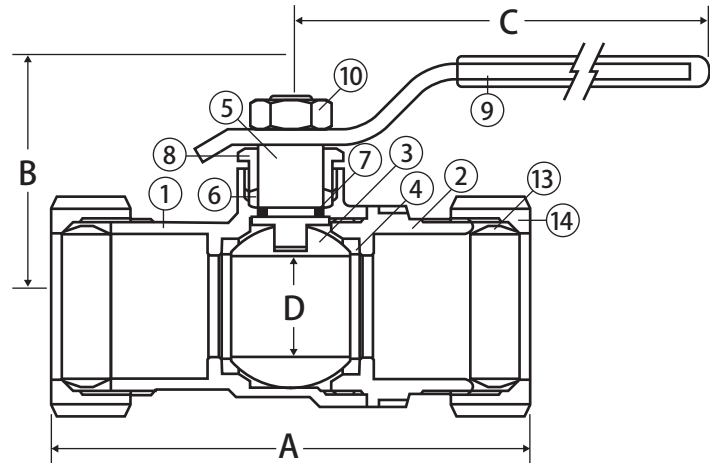
# Lead Free Brass Ball Valve



2 Piece • Full Port • Compression Connection • 600 WOG •  
Stainless Steel Ball and Stem • with Drain



C-402G



## Features

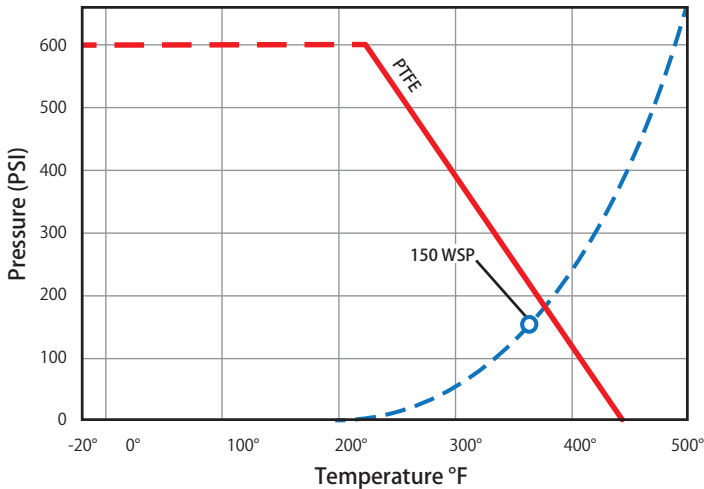
- Dezincification resistant brass
- Gland follower and single o-ring stem design
- Blow-out proof stem
- Drain feature prevents freeze-up
- Eliminates seat damage during soldering
- Compression ends for easy maintenance
- 100% leak tested
- Wetted surfaces contain less than .25% lead content

## Approvals

- Lead Free Compliant
- RoHS

## Valve Seat Rating

600 WOG - 150 WSP



## Material Specifications

No.	Part	Materials
1	Body	Lead Free Brass - C46500
2	End Connection	Lead Free Brass - C46500
3	Ball	304 Stainless Steel
4	Seat (2)	PTFE
5	Stem	304 Stainless Steel
6	Packing	PTFE
7	Stem O-ring	Buna-N
8	Packing Gland	Lead Free Brass - C46500
9	Handle	Steel - Chrome Plated
10	Handle Nut	Steel - Chrome Plated
11	Flat Washer*	Buna-N
12	Bleeder Cap*	Lead Free Brass - C46500
13	Compression Ring	Lead Free Brass - C46500
14	Compression Nut	Lead Free Brass - C46500

\* Not shown in drawing

## Dimensions

Part No.	Size	A	B	C	D
102-653G	1/2"	2.99	1.80	3.55	0.50
102-654G	3/4"	3.39	2.10	4.50	0.75
102-655G	1"	4.00	2.30	4.50	1.00

LT-JV-C 082018



# Lead Free Brass Ball Valve

2 Piece • Full Port • Threaded x Hose Connection • 600 WOG •  
Stainless Steel Ball and Stem • with Cap and Chain



T-100HFG

### Features

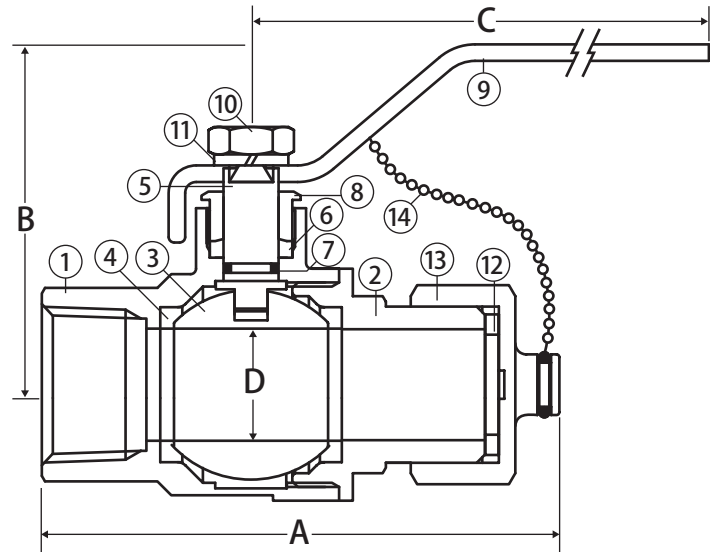
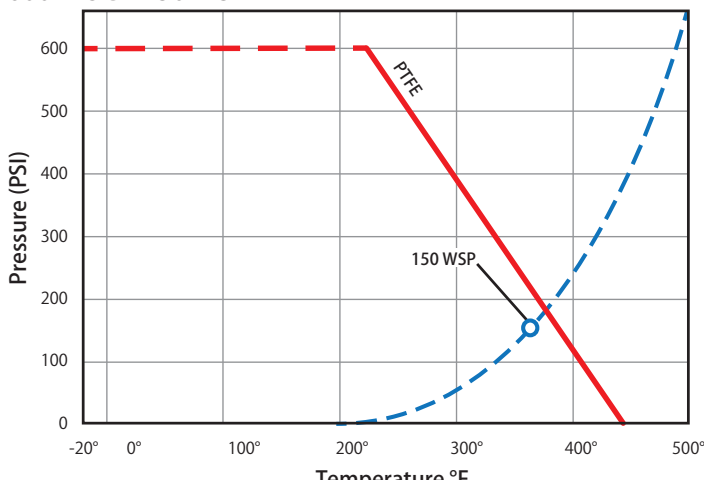
- Dezincification resistant brass
- Gland follower and single o-ring stem design
- Blow-out proof stem
- Cap and chain for easy drain & hose connection
- Heavy steel chain
- 100% leak tested
- IAPMO Certified - NSF 372
- Wetted surfaces contain less than .25% lead content

### Approvals



- IAPMO Certified
  - NSF 61-8
  - NSF 372
  - Uniform Plumbing Code (cUPC)
    - IAPMO/ANSI Z1157-2014
    - NSF/ANSI 14-2014
- ANSI B1.20.1
- ANSI B1.20.7
- RoHS Compliant

### Valve Seat Rating 600 WOG - 150 WSP



### Material Specifications

No.	Part	Materials
1	Body	Lead Free Brass - C46500
2	End Connection	Lead Free Brass - C46500
3	Ball	304 Stainless Steel
4	Seat (2)	PTFE
5	Stem	304 Stainless Steel
6	Packing	PTFE
7	Stem O-ring	Buna-N
8	Packing Gland	Lead Free Brass - C46500
9	Handle	Steel - Chrome Plated
10	Handle Nut	Steel - Chrome Plated
11	Lock Washer	Steel - Chrome Plated
12	Cap Washer	EPDM
13	Cap	Lead Free Brass - C46500
14	Chain	Steel - Chrome Plated

### Dimensions

Part No.	Size	A	B	C	D
100-653G	1/2" x 3/4" Hose	3.15	1.48	3.54	0.51
100-654G	3/4" x 3/4" Hose	3.43	1.94	4.45	0.75



**WARNING:** This product can expose you to chemicals including lead, which is known to the State of California to cause cancer, and lead, which is known to the State of California to cause birth defects or other reproductive harm. For more information go to [www.P65Warnings.ca.gov](http://www.P65Warnings.ca.gov).

# Lead Free Brass Ball Valve



2 Piece • Full Port • Solder x Hose Connection • 600 WOG •  
Stainless Steel Ball and Stem • with Cap and Chain



S-100HSG

## Features

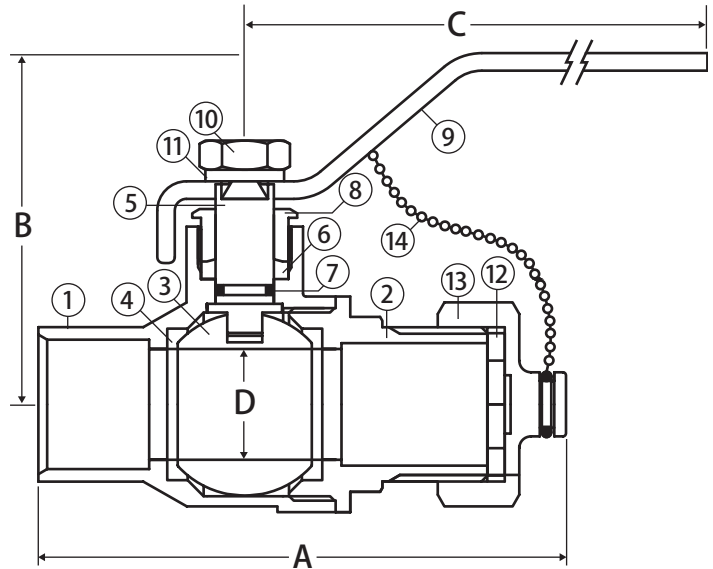
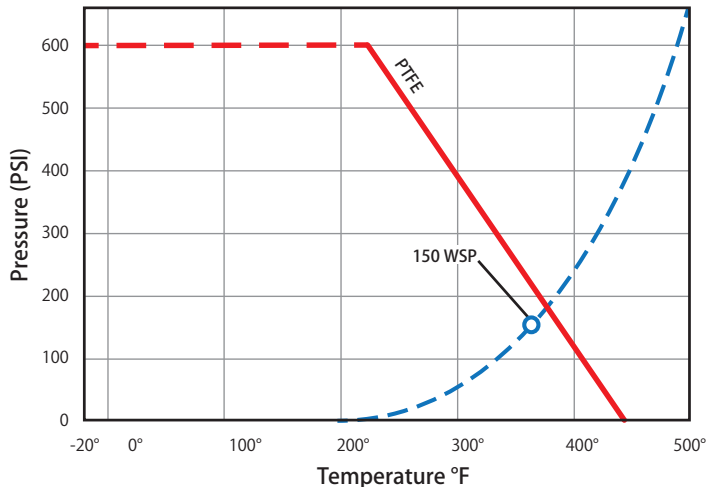
- Dezincification resistant brass
- Gland follower and single o-ring stem design
- Blow-out proof stem
- Cap and chain for easy drain & hose connection
- Heavy steel chain
- 100% leak tested
- IAPMO Certified - NSF 372
- Wetted surfaces contain less than .25% lead content

## Approvals



- IAPMO Certified
  - NSF 61-8
  - NSF 372
  - Uniform Plumbing Code (cUPC)
    - IAPMO/ANSI Z1157-2014
    - NSF/ANSI 14-2014
- ASME/ANSI B16.18
- ANSI B1.20.7
- RoHS Compliant

## Valve Seat Rating 600 WOG - 150 WSP



## Material Specifications

No.	Part	Materials
1	Body	Lead Free Brass - C46500
2	End Connection	Lead Free Brass - C46500
3	Ball	304 Stainless Steel
4	Seat (2)	PTFE
5	Stem	304 Stainless Steel
6	Packing	PTFE
7	Stem O-ring	Buna-N
8	Packing Gland	Lead Free Brass - C46500
9	Handle	Steel - Chrome Plated
10	Handle Nut	Steel - Chrome Plated
11	Lock Washer	Steel - Chrome Plated
12	Cap Washer	EPDM
13	Cap	Lead Free Brass - C46500
14	Chain	Steel - Chrome Plated

## Dimensions

Part No.	Size	A	B	C	D
100-663G	1/2" x 3/4" Hose	3.07	1.48	3.54	0.51
100-664G	3/4" x 3/4" Hose	3.54	1.94	4.45	0.75



**WARNING:** This product can expose you to chemicals including lead, which is known to the State of California to cause cancer, and lead, which is known to the State of California to cause birth defects or other reproductive harm. For more information go to [www.P65Warnings.ca.gov](http://www.P65Warnings.ca.gov).

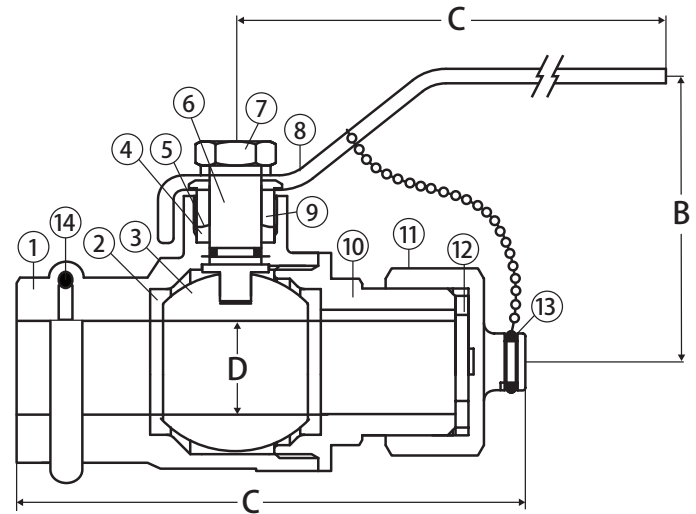
LIT-JV-C 082018

# Lead Free Brass Ball Valve

2 Piece • Full Port • Press x Hose Connection • 600 WOG •  
Stainless Steel Ball and Stem • with Cap and Chain



P-100HPG



### Features

- Dezincification resistant brass
- Gland follower and single o-ring stem design
- Blow-out proof stem
- Cap and chain for easy drain & hose connection
- Heavy steel chain
- 100% leak tested
- IAPMO Certified - NSF 372
- Wetted surfaces contain less than .25% lead content

### Approvals

- Conforms to IAMPO PS 117

### Pressure/Temperature Rating

- 250 WOG
- Max. 250° F

### Material Specifications

No.	Part	Materials
1	Body	Lead Free Brass - C46500
2	Seat	PTFE
3	Ball	304 Stainless Steel
4	Packing	PTFE
5	Stem O-Ring	NBR
6	Stem	304 Stainless Steel
7	Handle Nut	Steel - Chrome Plated
8	Handle	Steel - Chrome Plated
9	Packing Nut	Brass - C37700
10	End Connection	Lead Free Brass - C46500
11	Cap Nut	Brass - C37700
12	Gasket	EPDM
13	Chain	Steel - Chrome Plated
14	O-Ring	EPDM

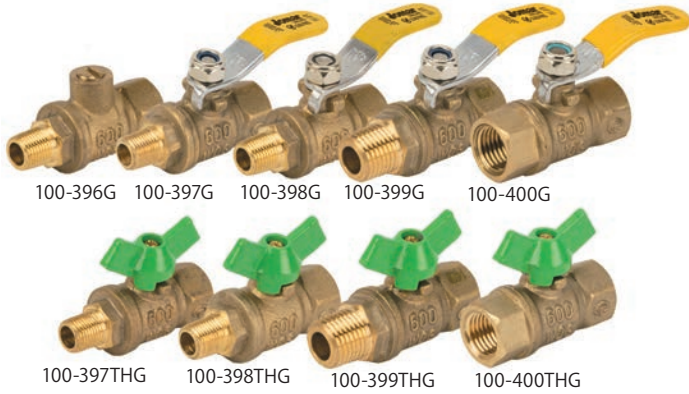
### Dimensions

Part No.	Size	A	B	C	D
100-673G	1/2" x 3/4" Hose	3.38	1.81	3.46	0.59
100-674G	3/4" x 3/4" Hose	3.74	2.09	4.29	0.75

# Lead Free Brass Ball Valve



2 Piece • Full Port • Threaded Connection • Mini Valves •  
600 WOG • Stainless Steel Ball and Stem



T-83CG

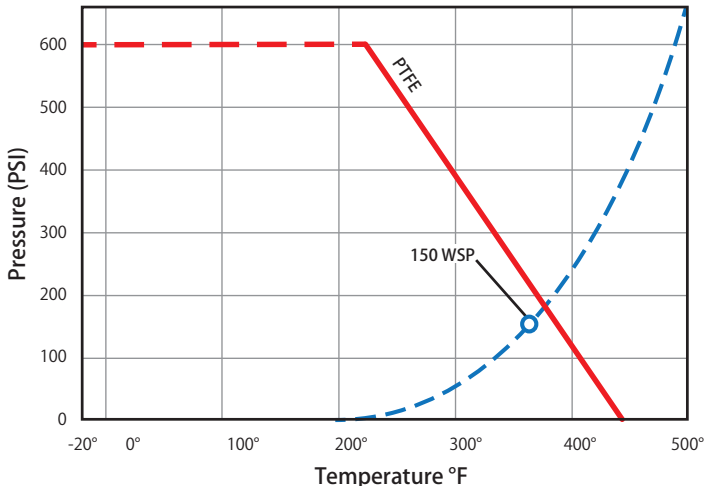
## Features

- Dezincification resistant brass
- Large raised wrench flats
- 100% leak tested
- Wetted surfaces contain less than .25% lead content

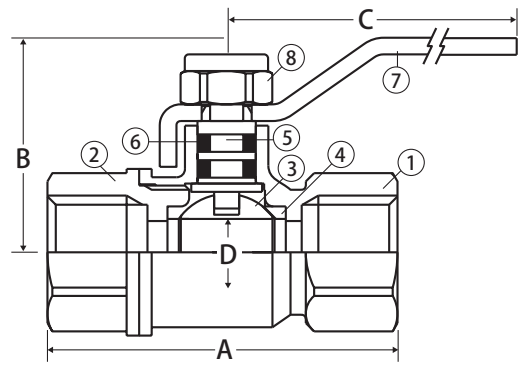
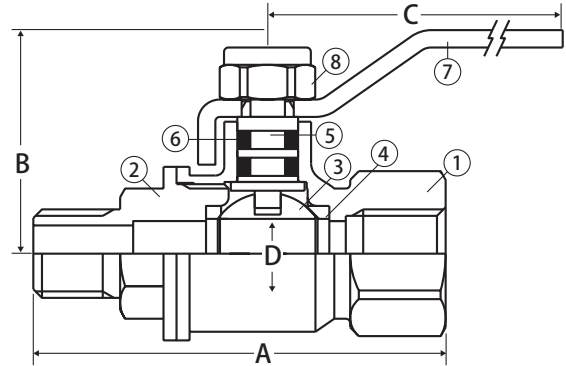
## Approvals

- IAPMO Certified
  - NSF 61-8
  - NSF 372
  - Uniform Plumbing Code (cUPC)
    - IAPMO/ANSI Z1157-2014
    - NSF/ANSI 14-2014
- MSS SP-110
- ANSI B1.20.1
- RoHS Compliant

## Valve Seat Rating 600 WOG - 150 WSP



**WARNING:** This product can expose you to chemicals including lead, which is known to the State of California to cause cancer, and lead, which is known to the State of California to cause birth defects or other reproductive harm. For more information go to [www.P65Warnings.ca.gov](http://www.P65Warnings.ca.gov).



## Material Specifications

No.	Part	Materials
1	Body	Lead Free Brass - C46500
2	End Connection	Lead Free Brass - C46500
3	Ball	304 Stainless Steel
4	Seat (2)	PTFE
5	Stem	304 Stainless Steel
6	Stem O-ring (2)	Buna-N
7	Handle*	Steel - Chrome Plated or Aluminum
8	Handle Nut / Screw*	Steel - Chrome Plated

\*Material depends on handle selection

## Dimensions

Part No.	Size	A	B	C	D
<b>Screwdriver Slot</b>					
100-396G	1/4" FIP x 1/8" MIP	1.93	0.77	-	0.28
<b>Lever Handle</b>					
100-397G	1/8" FIP x 1/8" MIP	1.90	1.07	1.77	0.28
100-398G	1/4" FIP x 1/8" MIP	1.93	1.07	1.77	0.28
100-399G	1/4" FIP x 1/4" MIP	2.01	1.07	1.77	0.28
100-400G	1/4" FIP x 1/4" FIP	1.65	1.07	1.77	0.28
<b>T-Handle</b>					
100-397THG	1/8" FIP x 1/8" MIP	1.90	1.10	1.33	0.28
100-398THG	1/4" FIP x 1/8" MIP	1.93	1.10	1.33	0.28
100-399THG	1/4" FIP x 1/4" MIP	2.01	1.10	1.33	0.28
100-400THG	1/4" FIP x 1/4" FIP	1.65	1.10	1.33	0.28

LT-JV-C 082018

# Lead Free Dielectric Unions

## Brass Solder x Galvanized • 250 PSI



Solder x FIP

Reducing  
Solder x FIP

Solder x MIP

### Brass Solder x Galvanized

#### Features

- Prevents accelerated corrosion
- -20°F to 180°F - Buna Seats
- Wetted surfaces contain less than .25% lead content

#### Approvals

- Lead Free Compliant
- Meets ANSI B16.39
- ANSI B1.20.1
- ASME/ANSI B16.18

#### Pressure Ratings

- 250 PSI

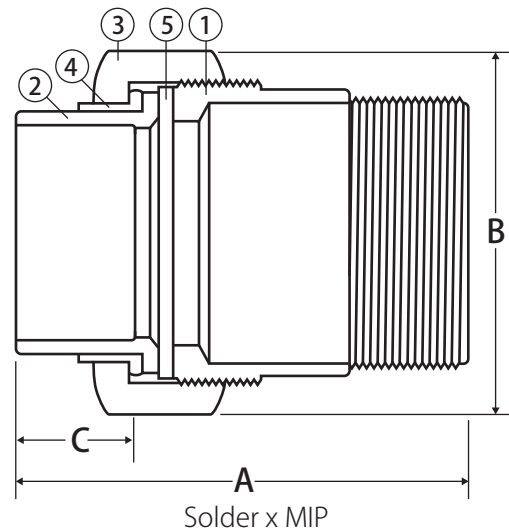
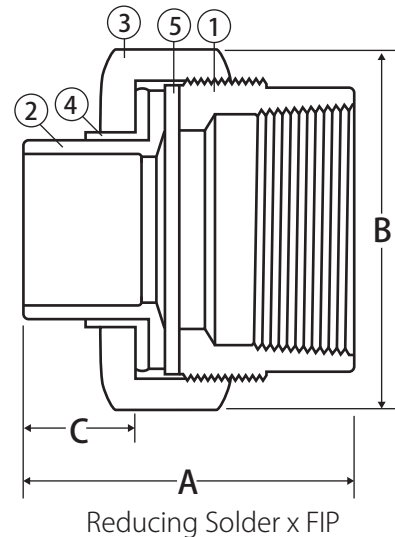
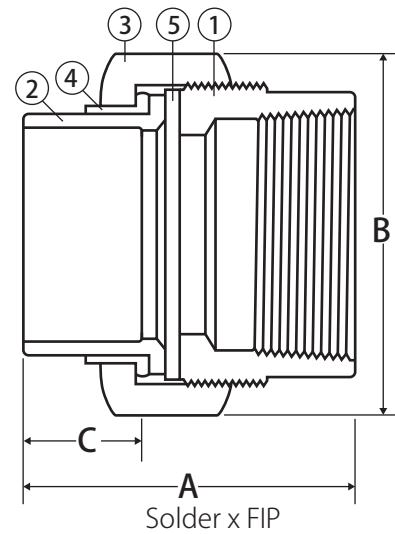
#### Material Specifications

No.	Part	Materials
1	Body	Steel - Zinc Plated
2	Tail Piece	Lead Free Brass
3	Union Nut	Steel - Zinc Plated
4	Dielectric Ring	Nylon 66
5	Gasket*	Buna-N

\*Teflon available if specified

#### Dimensions

Part No.	Size	A	B	C
<b>Solder x FIP</b>				
701-103G	1/2" SWT x 1/2" FIP	1.87	1.61	0.65
701-104G	3/4" SWT x 3/4" FIP	2.11	1.83	0.79
701-105G	1" SWT x 1" FIP	2.34	2.15	0.86
701-106G	1-1/4" SWT x 1-1/4" FIP	2.50	2.59	0.94
701-107G	1-1/2" SWT x 1-1/2" FIP	2.79	2.95	1.11
701-108G	2" SWT x 2" FIP	3.09	3.75	1.32
<b>Reducing Solder x FIP</b>				
701-204G	1/2" SWT x 3/4" FIP	1.95	1.83	0.65
<b>Solder x MIP</b>				
701-303G	1/2" SWT x 1/2" MIP	2.85	1.61	0.65
701-304G	3/4" SWT x 3/4" MIP	3.01	1.83	0.79
701-305G	3/4" SWT x 1/2" MIP	2.62	1.83	0.65
701-306G	1" SWT x 1" MIP	3.18	2.15	0.86



**WARNING:** This product can expose you to chemicals including lead, which is known to the State of California to cause cancer, and lead, which is known to the State of California to cause birth defects or other reproductive harm. For more information go to [www.p65.ca.gov](http://www.p65.ca.gov)

# Lead Free Brass Dielectric Unions



## Brass FIP x Galvanized FIP • 250 PSI



**Brass FIP x Galvanized FIP**

### Features

- Prevents accelerated corrosion
- -20°F to 180°F - Buna Seats
- Wetted surfaces contain less than .25% lead content

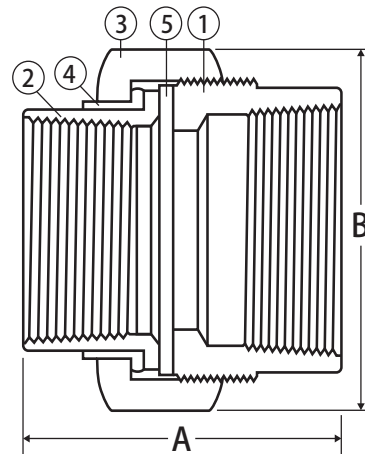
### Approvals

- Lead Free Compliant
- Meets ANSI B16.39
- ANSI B1.20.1
- ASME/ANSI B16.18

### Pressure Ratings

- 250 PSI

**WARNING:** This product can expose you to chemicals including lead, which is known to the State of California to cause cancer, and lead, which is known to the State of California to cause birth defects or other reproductive harm. For more information go to [www.P65Warnings.ca.gov](http://www.P65Warnings.ca.gov).



### Material Specifications

No.	Part	Materials
1	Body	Steel - Zinc Plated
2	Tail Piece	Lead Free Brass
3	Union Nut	Steel - Zinc Plated
4	Dielectric Ring	Nylon 66
5	Gasket*	Buna-N

\*Teflon available if specified

### Dimensions

Part No.	Size	A	B	C
701-503G	1/2" FIP x 1/2" FIP	2.14	1.61	0.72
701-504G	3/4" FIP x 3/4" FIP	2.21	1.83	0.72
701-505G	1" FIP x 1" FIP	2.54	2.58	0.85

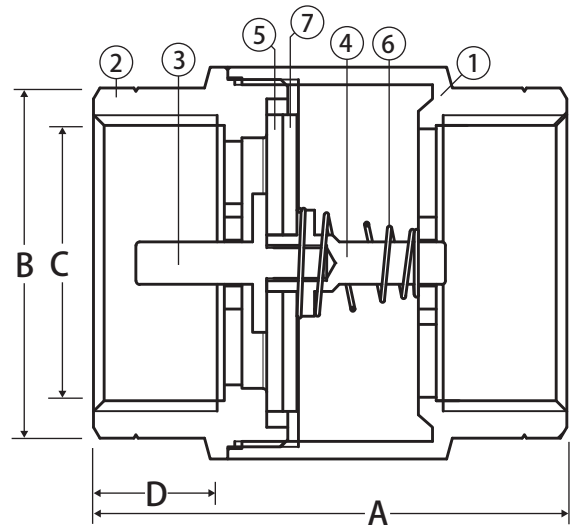
LT-JV-C 082018

# Lead Free Brass Inline Check Valve

## Threaded Connection • 300 WOG • Class 150



**T-521G**



### Features

- Forged Lead Free Brass Body
- Bubble tight Teflon seal
- Wetted surfaces contain less than .25% lead content

### Approvals

- Lead Free Compliant
- ANSI B1.20.1

### Pressure/Temperature Rating

- 300WOG
- Max. 250°F

Install 5 pipe diameter minimum downstream from pump discharge or changes in direction to avoid flow turbulence. Flow straighteners may be required in extreme cases.

Note: On pump discharge, the preferred check valves are: inline, spring assisted, center-guided, lift checks.

Jomar Check Valves may be installed in both horizontal and vertical lines with upward flow or in an intermediate position. They will operate satisfactory in a declining plane

### Material Specifications

No.	Part	Materials
1	Body	Lead Free Brass
2	Tailpiece	Lead Free Brass
3	Disc Holder 1	Lead Free Brass
4	Disc Holder 2	Lead Free Brass
5	Disc	PTFE
6	Spring	304 Stainless Steel

### Dimensions

Part No.	Size	A	B	C	D
105-603G	1/2"	1.28	1.91	0.50	0.49
105-604G	3/4"	1.54	2.06	0.75	0.59
105-605G	1"	1.77	2.30	1.00	0.59
105-606G	1-1/4"	2.17	2.64	1.25	0.73
105-607G	1-1/2"	2.34	2.74	1.50	0.71
105-608G	2"	3.15	3.31	2.00	0.83

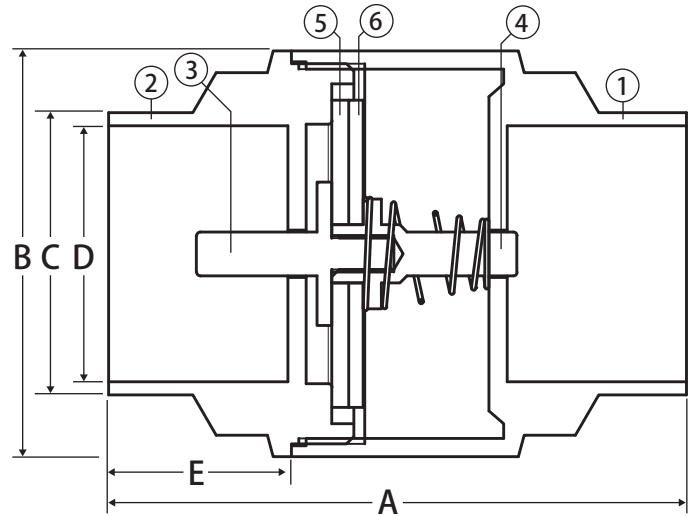
# Lead Free Brass Inline Check Valve



Solder Connection • 300 WOG • Class 150



**S-521G**



## Features

- Forged Lead Free Brass Body
- Bubble tight Teflon seal
- Wetted surfaces contain less than .25% lead content

## Approvals

- Lead Free Compliant
- ASME B16.18

## Pressure/Temperature Rating

- 300 WOG
- Max. 250°F

Install 5 pipe diameter minimum downstream from pump discharge or changes in direction to avoid flow turbulence. Flow straighteners may be required in extreme cases.

Note: On pump discharge, the preferred check valves are: inline, spring assisted, center-guided, lift checks.

Jomar Check Valves may be installed in both horizontal and vertical lines with upward flow or in an intermediate position. They will operate satisfactory in a declining plane (no more than 15°).

**Warning: Do Not Use For Reciprocating Air Compressor Service**

**WARNING:** This product can expose you to chemicals including lead, which is known to the State of California to cause cancer, and lead, which is known to the State of California to cause birth defects or other reproductive harm. For more information go to [www.P65Warnings.ca.gov](http://www.P65Warnings.ca.gov).

## Material Specifications

No.	Part	Materials
1	Body	Lead Free Brass
2	Tailpiece	Lead Free Brass
3	Disc Holder 1	Lead Free Brass
4	Disc Holder 2	Lead Free Brass
5	Disc	PTFE
6	Spring	304 Stainless Steel

## Dimensions

Part No.	Size	A	B	C	D	E
105-613G	1/2"	1.28	1.91	0.50	0.49	0.74
105-614G	3/4"	1.54	2.06	0.75	0.59	0.77
105-615G	1"	1.77	2.30	1.00	0.59	0.89
105-616G	1-1/4"	2.17	2.64	1.25	0.73	0.94
105-617G	1-1/2"	2.34	2.74	1.50	0.71	1.06
105-618G	2"	3.15	3.31	2.00	0.83	1.34

LT-JV-C 082018



# Lead Free Bronze Y-pattern Check Valve



## Threaded Connection • 300 WOG • Class 150



**T-511G**

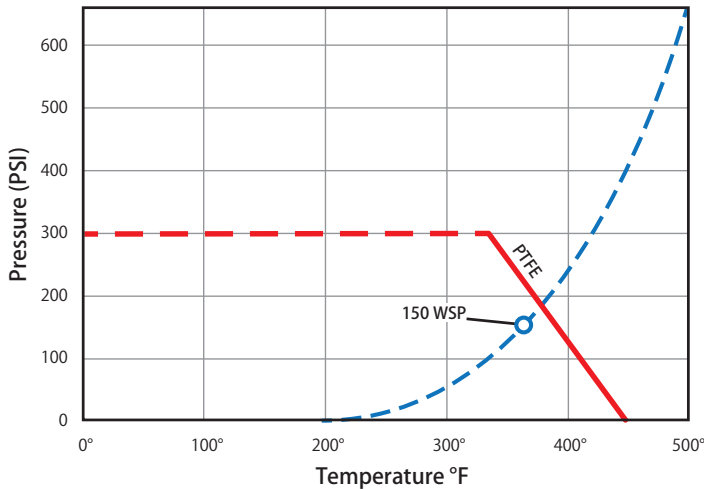
### Features

- Can be installed in the vertical or horizontal positions
- Wetted surfaces contain less than .25% lead content

### Approvals

- MSS SP-80
- IAPMO Certified
  - NSF 372
- ANSI B1.20.1

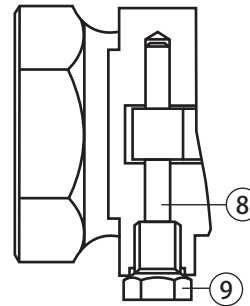
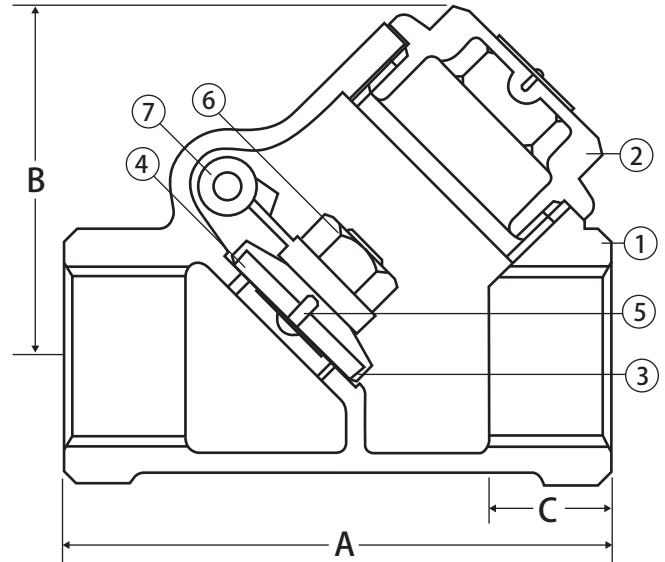
### Valve Seat Rating 300 WOG - 150 WSP



Install 5 pipe diameter minimum downstream from pump discharge or changes in direction to avoid flow turbulence. Flow straighteners may be required in extreme cases.

Note: On pump discharge, the preferred check valves are: inline, spring assisted, center-guided, lift checks.

Jomar Check Valves may be installed in both horizontal and vertical lines with upward flow or in an intermediate position. They will operate satisfactory in a declining plane (no more than 15°).



### Material Specifications

No.	Part	Materials
1	Body	Lead Free Bronze
2	Cap	Lead Free Bronze
3	Disc	Lead Free Bronze
4	Seat	PTFE
5	Seat Screw	Lead Free Bronze
6	Seat Nut	Lead Free Bronze
7	Hinge Arm	Lead Free Bronze
8	Hinge Pin	Lead Free Bronze
9	Hinge Screw	Lead Free Bronze

### Dimensions

Part No.	Size	A	B	C
105-303G	1/2"	2.36	1.77	0.54
105-304G	3/4"	2.76	1.97	0.57
105-305G	1"	3.40	2.28	0.70
105-306G	1-1/4"	3.78	2.67	0.71
105-307G	1-1/2"	4.57	2.95	0.75
105-308G	2"	5.35	3.70	0.79



**WARNING:** This product can expose you to chemicals including lead, which is known to the State of California to cause cancer, and lead, which is known to the State of California to cause birth defects or other reproductive harm. For more information go to [www.P65Warnings.ca.gov](http://www.P65Warnings.ca.gov).

# Lead Free Bronze Y-pattern Check Valve



Solder Connection • 300 WOG • Class 150



S-511G

## Features

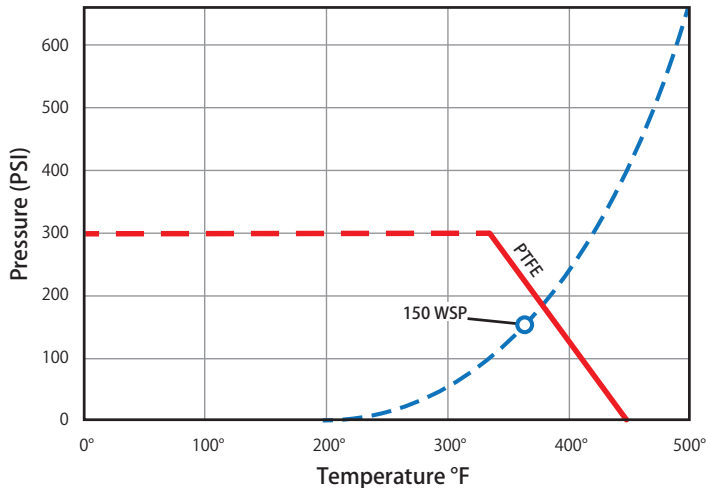
- Can be installed in the vertical or horizontal positions
- Wetted surfaces contain less than .25% lead content

## Approvals

- MSS SP-80
- Truesdail Certified
  - NSF 372
- ASME/ANSI B16.18

## Valve Seat Rating

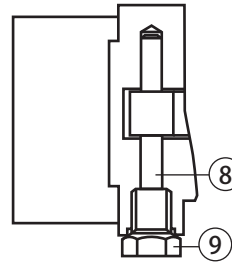
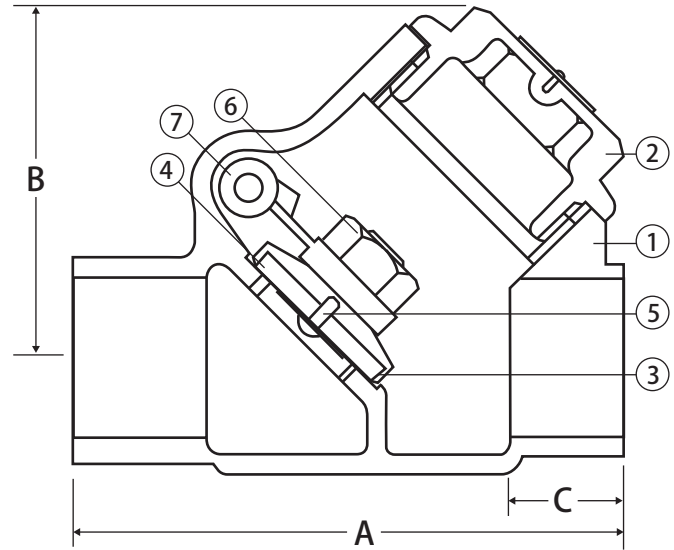
300 WOG - 150 WSP



**Recommended Install:** 5 pipe diameter minimum downstream from pump discharge or changes in direction to avoid flow turbulence. Flow straighteners may be required in extreme cases.

**Note:** On pump discharge, the preferred check valves are: inline spring assisted checks.

Jomar Y-pattern Check Valves may be installed in both horizontal and vertical lines with upward flow or in an intermediate position. They will operate satisfactory in a declining plane (no more than 15°).



## Material Specifications

No.	Part	Materials
1	Body	Lead Free Bronze
2	Cap	Lead Free Bronze
3	Disc	Lead Free Bronze
4	Seat	PTFE
5	Seat Screw	Lead Free Bronze
6	Seat Nut	Lead Free Bronze
7	Hinge Arm	Lead Free Bronze
8	Hinge Pin	Lead Free Bronze
9	Hinge Screw	Lead Free Bronze

## Dimensions

Part No.	Size	A	B	C
105-403G	1/2"	2.60	1.77	0.50
105-404G	3/4"	3.39	1.97	0.75
105-405G	1"	4.09	2.28	0.91
105-406G	1-1/4"	4.72	2.67	0.97
105-407G	1-1/2"	5.39	2.95	1.09
105-408G	2"	6.69	3.70	1.34



**WARNING:** This product can expose you to chemicals including lead, which is known to the State of California to cause cancer, and lead, which is known to the State of California to cause birth defects or other reproductive harm. For more information go to [www.P65Warnings.ca.gov](http://www.P65Warnings.ca.gov).

LT-JV-C 082018

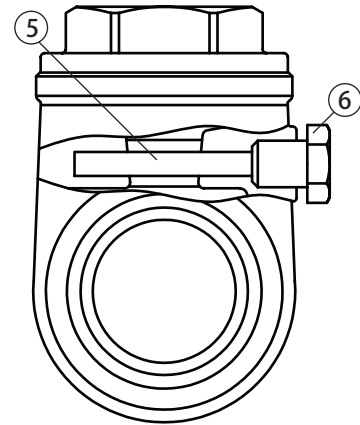
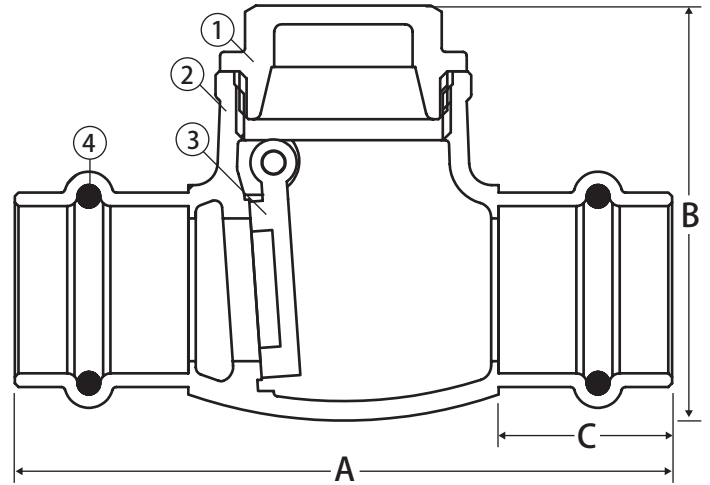
# Lead Free Brass Horizontal Check Valve

**Jomar VALVE** LEAD FREE

## Press Connection • 200 WOG



**P-501G**



### Features

- One-piece body design
- EPDM o-ring seal
- Heavy pattern cast brass construction
- Lead free dezincification brass
- Metal to metal disc seal
- Wetted surfaces contain less than .25% lead content

### Approvals

- Lead Free Compliant
- Conforms to IAPMO PS 117

### Pressure Rating

- 200 WOG

**Recommended Install:** 5 pipe diameter minimum downstream from pump discharge or changes in direction to avoid flow turbulence. Flow straighteners may be required in extreme cases.

**Note:** On pump discharge, the preferred check valves are: inline, spring assisted, center-guided, and inline checks.

**WARNING:** This product can expose you to chemicals including lead, which is known to the State of California to cause cancer, and lead, which is known to the State of California to cause birth defects or other reproductive harm. For more information go to [www.P65Warnings.ca.gov](http://www.P65Warnings.ca.gov).

### Material Specifications

No.	Part	Materials
1	End Connection	Lead Free Brass - C87850
2	Body	Lead Free Brass - C87850
3	Disc	Lead Free Brass - C69300
4	O-ring	EPDM
5	Hinge Pin	Brass - C36000
6	Screw	Brass - C36000

### Dimensions

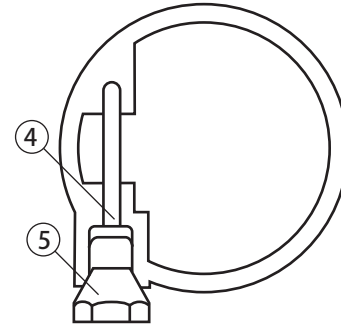
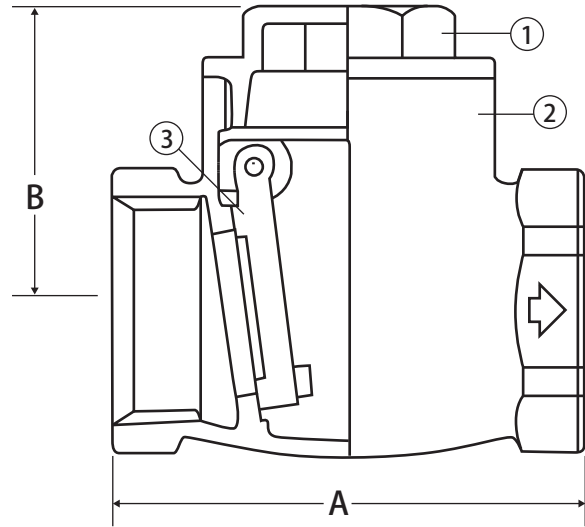
Part No.	Size	A	B	C
105-003G	1/2"	2.97	2.10	0.75
105-004G	3/4"	3.50	2.27	0.93
105-005G	1"	3.75	2.59	0.95
105-006G	1-1/4"	4.13	3.12	0.98
105-007G	1-1/2"	5.32	3.40	1.36
105-008G	2"	6.06	4.10	1.56

# Lead Free Brass Horizontal Check Valve

## Threaded Connection • 200 WOG • Class 125



**T-501G**



### Features

- Residential and commercial applications
- Wetted surfaces contain less than .25% lead content

### Approvals

- IAPMO Certified
  - NSF 372
  - ANSI B1.20.1

### Pressure Rating

- 200 WOG

Install 5 pipe diameter minimum downstream from pump discharge or changes in direction to avoid flow turbulence. Flow straighteners may be required in extreme cases.

Note: On pump discharge, the preferred check valves are: inline, spring assisted, center-guided, lift checks.

Jomar Check Valves may be installed in both horizontal and vertical lines with upward flow or in an intermediate position. They will operate satisfactory in a declining plane (no more than 15°).

**Warning: Do Not Use For Reciprocating Air Compressor Service**

**WARNING:** This product can expose you to chemicals including lead, which is known to the State of California to cause cancer, and lead, which is known to the State of California to cause birth defects or other reproductive harm. For more information go to [www.P65Warnings.ca.gov](http://www.P65Warnings.ca.gov).

### Material Specifications

No.	Part	Materials
1	Cap	Lead Free Cast Brass
2	Body	Lead Free Cast Brass
3	Disc	Lead Free Forged Brass
4	Hinge Pin	Lead Free Brass
5	Screw	Lead Free Brass

### Dimensions

Part No.	Size	A	B
105-103G	1/2"	2.13	1.54
105-104G	3/4"	2.33	1.62
105-105G	1"	2.72	1.77
105-106G	1-1/4"	3.11	2.01
105-107G	1-1/2"	3.51	2.25
105-108G	2"	4.30	2.68
105-109G	2-1/2"	5.32	3.35
105-110G	3"	6.30	3.86
105-111G	4"	7.49	4.53

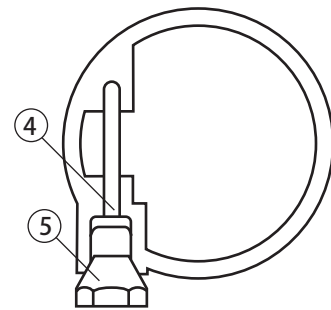
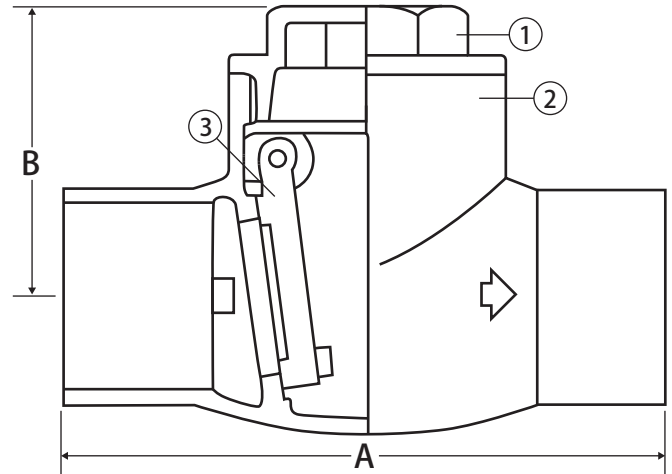
LT-JV-C 082018

# Lead Free Brass Horizontal Check Valve

Solder Connection • 200 WOG • Class 125



**S-501G**



### Features

- Residential and commercial applications
- Wetted surfaces contain less than .25% lead content

### Approvals

- Truesdail Certified
  - NSF 372
- ASME/ANSI B16.18

### Pressure Rating

- 200 WOG

**Recommended Install:** 5 pipe diameter minimum downstream from pump discharge or changes in direction to avoid flow turbulence. Flow straighteners may be required in extreme cases.

**Note:** On pump discharge, the preferred check valves are: inline, spring assisted, center-guided, and inline checks.

**WARNING:** This product can expose you to chemicals including lead, which is known to the State of California to cause cancer, and lead, which is known to the State of California to cause birth defects or other reproductive harm. For more information go to [www.P65Warnings.ca.gov](http://www.P65Warnings.ca.gov).

### Material Specifications

No.	Part	Materials
1	Cap	Lead Free Cast Brass
2	Body	Lead Free Cast Brass
3	Disc	Lead Free Forged Brass
4	Hinge Pin	Lead Free Brass
5	Screw	Lead Free Brass

### Dimensions

Part No.	Size	A	B
105-203G	1/2"	2.52	1.54
105-204G	3/4"	3.11	1.62
105-205G	1"	3.90	1.77
105-206G	1-1/4"	4.37	2.01
105-207G	1-1/2"	4.96	2.25
105-208G	2"	5.99	2.68
105-209G	2-1/2"	6.48	3.53
105-210G	3"	7.52	4.02

# Lead Free Brass Gate Valve



Non-rising Stem • Threaded Connection • 200 WOG



T-301G

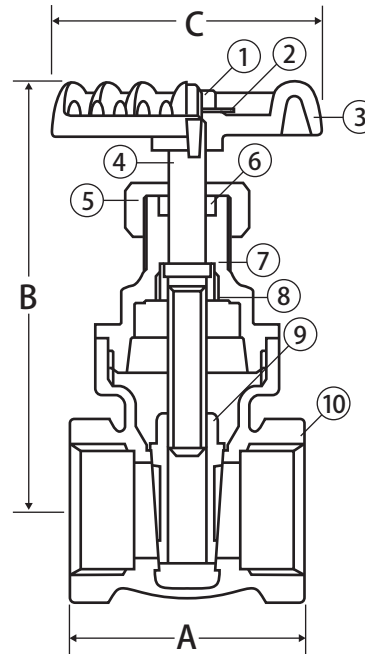
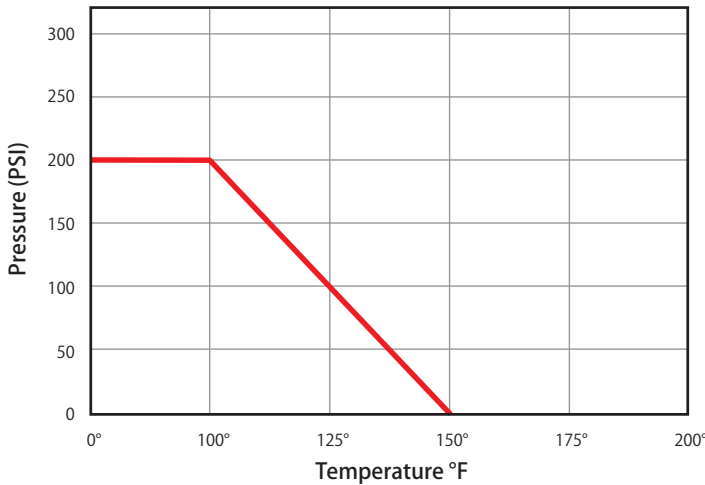
### Features

- Solid wedge gate
- Wetted surfaces contain less than .25% lead content

### Approvals

- ANSI B1.20.1
- RoHS Compliant

### Pressure Rating 200 WOG



### Material Specifications

No.	Part	Materials
1	Handle Nut	Steel
2	Name Plate	Aluminum
3	Hand Wheel	Cast Iron
4	Stem	Lead Free Brass
5	Packing Nut	Lead Free Brass
6	Gland Packing	Buna-N
7	Bonnet	Cast Brass
8	Lock Nut	Lead Free Brass
9	Disc	Lead Free Cast Brass
10	Body	Lead Free Cast Brass

### Dimensions

Part No.	Size	A	B	C
103-301G	1/4"	1.62	2.76	2.13
103-302G	3/8"	1.62	2.76	2.13
103-303G	1/2"	1.69	2.84	2.13
103-304G	3/4"	1.85	3.31	2.13
103-305G	1"	2.17	3.94	2.52
103-306G	1-1/4"	2.40	4.57	2.75
103-307G	1-1/2"	2.44	4.93	3.13
103-308G	2"	2.84	6.03	3.27

LT-JV-C 082018



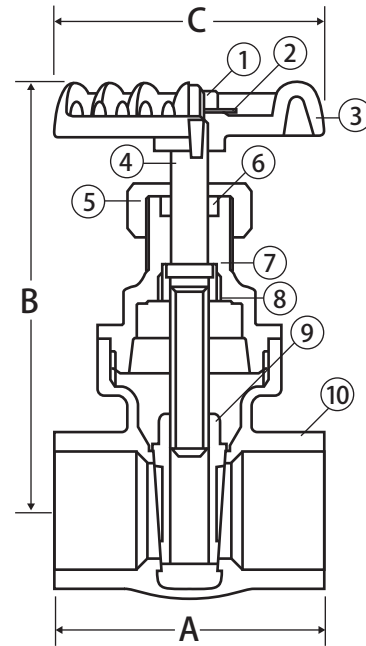
**WARNING:** This product can expose you to chemicals including lead, which is known to the State of California to cause cancer, and lead, which is known to the State of California to cause birth defects or other reproductive harm. For more information go to [www.P65Warnings.ca.gov](http://www.P65Warnings.ca.gov).

# Lead Free Brass Gate Valve

Non-rising Stem • Solder Connection • 200 WOG



S-301G



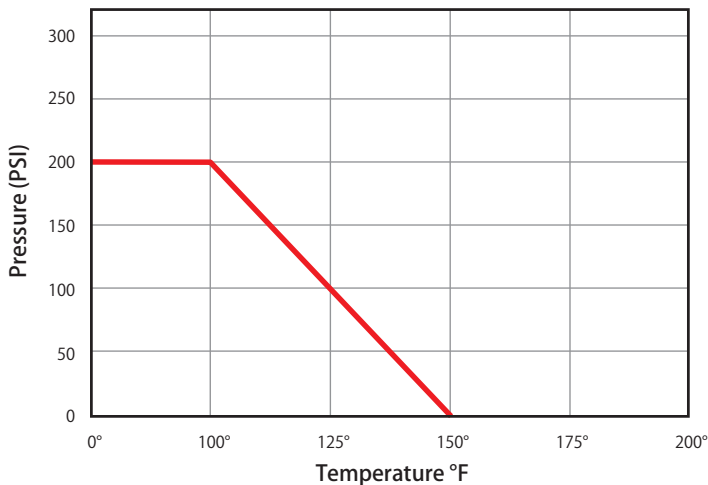
### Features

- Solid wedge gate
- Wetted surfaces contain less than .25% lead content

### Approvals

- ASME/ANSI B16.18
- RoHS Compliant

### Pressure Rating 200 WOG



### Material Specifications

No.	Part	Materials
1	Handle Nut	Steel
2	Name Plate	Aluminum
3	Hand Wheel	Cast Iron
4	Stem	Lead Free Brass
5	Packing Nut	Lead Free Brass
6	Gland Packing	Buna-N
7	Bonnet	Cast Brass
8	Lock Nut	Lead Free Brass
9	Disc	Lead Free Cast Brass
10	Body	Lead Free Cast Brass

### Dimensions

Part No.	Size	A	B	C
103-403G	1/2"	1.77	2.84	2.13
103-404G	3/4"	2.32	3.31	2.13
103-405G	1"	2.76	3.86	2.40
103-406G	1-1/4"	2.88	4.57	3.03
103-407G	1-1/2"	3.19	4.93	3.03
103-408G	2"	3.90	6.03	3.27

**▲ WARNING:** This product can expose you to chemicals including lead, which is known

# Lead Free Brass Boiler Drain

## Threaded Male Connection • 125 WOG



**T-621G**

### Features

- Heavy pattern brass
- Wetted surfaces contain less than .25% lead content

### Approvals

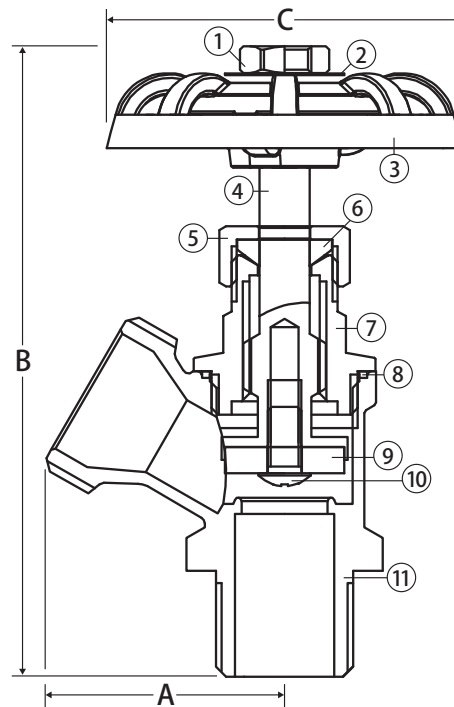
- NSF/ANSI 372
- NSF/ANSI 61-8
- NSF/ANSI 14
- Uniform Plumbing Code (CUPC)

### Pressure Rating

- 125 WOG



**WARNING:** This product can expose you to chemicals including lead, which is known to the State of California to cause cancer, and lead, which is known to the State of California to cause birth defects or other reproductive harm. For more information go to [www.P65Warnings.ca.gov](http://www.P65Warnings.ca.gov).



### Material Specifications

No.	Part	Materials
1	Handle Nut	Steel
2	Name Plate	Aluminum
3	Hand Wheel	Cast Iron
4	Stem	Lead Free Brass
5	Packing Nut	Lead Free Brass
6	Gland Packing	Buna-N
7	Bonnet	Lead Free Brass
8	Body	Lead Free Brass
9	Seat Packing	Buna-N
10	Seat Screw	SS304 Stainless Steel

### Dimensions

Part No.	Size	A	B	C
201-003G	1/2"	1.58	3.59	2.13
201-004G	3/4"	1.58	3.70	2.13

LT-JV-C 082018



# Lead Free Brass Boiler Drain

## Threaded Female Connection • 125 WOG



T-622G

### Features

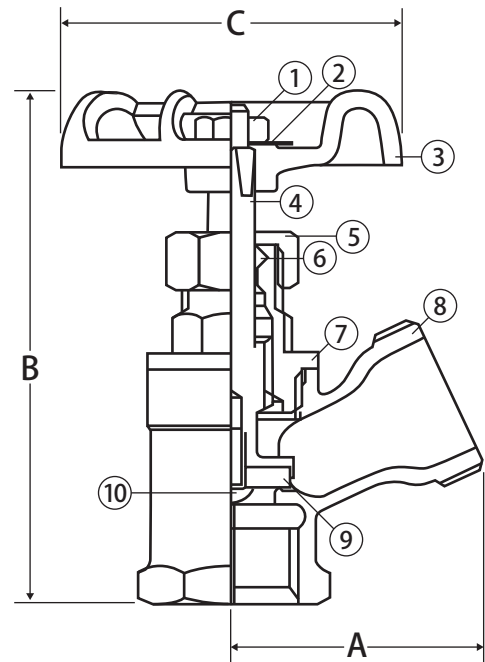
- Heavy pattern brass
- Wetted surfaces contain less than .25% lead content

### Approvals

- NSF/ANSI 372
- NSF/ANSI 61-8
- NSF/ANSI 14
- Uniform Plumbing Code (cUPC)

### Pressure Rating

- 125 WOG



### Material Specifications

No.	Part	Materials
1	Handle Nut	Steel
2	Name Plate	Aluminum
3	Hand Wheel	Cast Iron
4	Stem	Lead Free Brass
5	Packing Nut	Lead Free Brass
6	Gland Packing	Buna-N
7	Bonnet	Lead Free Cast Brass
8	Body	Lead Free Cast Brass
9	Seat Packing	Buna-N
10	Seat Screw	Lead Free Brass

### Dimensions

Part No.	Size	A	B	C
201-103G	1/2"	1.58	3.31	2.13
201-104G	3/4"	1.58	3.35	2.13

# Lead Free Brass Boiler Drain

## Compression Connection • 125 WOG



**T-623G**

### Features


- Manufactured in ISO-9001 facility
- Wetted surfaces contain less than .25% lead content

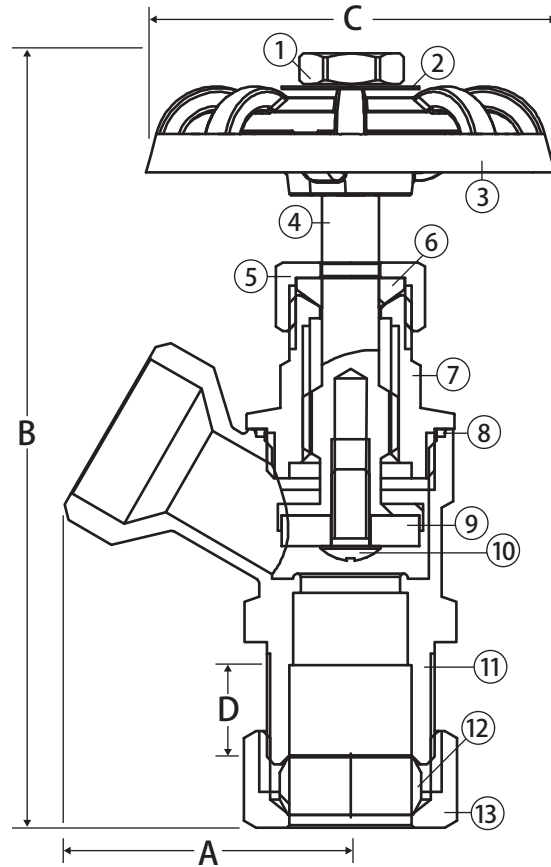
### Approvals

- Lead Free Compliant
- ANSI B1.20.7

### Pressure Rating

- 125 WOG

 **WARNING:** This product can expose you to chemicals including lead, which is known to the State of California to cause cancer, and lead, which is known to the State of California to cause birth defects or other reproductive harm. For more information go to [www.P65Warnings.ca.gov](http://www.P65Warnings.ca.gov).



### Material Specifications

No.	Part	Materials
1	Nut	304 Stainless Steel
2	Nameplate	Aluminum
3	Handle Wheel	Cast Iron
4	Stem	Lead Free Brass C46500
5	Compression Nut	Brass C37700
6	Gasket	PTFE
7	Bonnet	Lead Free Brass C46500
8	Gasket	PTFE
9	Seal Gasket	EPDM
10	Screw	304 Stainless Steel
11	Body	Lead Free Brass C46500
12	Olive	Lead Free Brass H62
13	Nut	Brass C37700

### Dimensions

Part No.	Size	A	B (Open)	C	D
201-113G	1/2"	1.50	4.05	2.10	0.51

LT-JV-C 082018

# Lead Free Brass Boiler Drain

## Crimp PEX Connection • 125 WOG



**T-624G**

### Features

- Manufactured in ISO-9001 facility
- Wetted surfaces contain less than .25% lead content

### Approvals

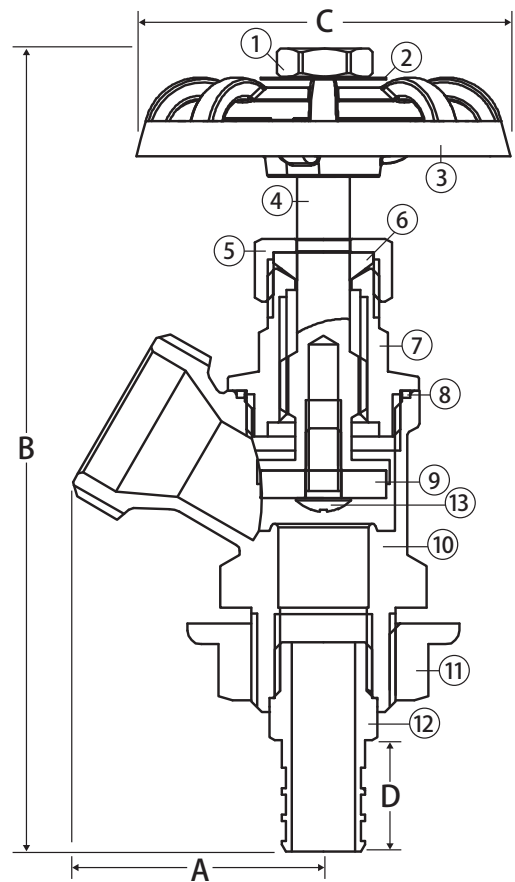
- Lead Free Compliant
- ANSI B1.20.7
- ASTM FM1807

### Pressure Rating

- 125 WOG



**WARNING:** This product can expose you to chemicals including lead, which is known to the State of California to cause cancer, and lead, which is known to the State of California to cause birth defects or other reproductive harm. For more information go to [www.P65Warnings.ca.gov](http://www.P65Warnings.ca.gov).



### Material Specifications

No.	Part	Materials
1	Nut	304 Stainless Steel
2	Nameplate	Aluminum
3	Handle Wheel	Cast Iron
4	Stem	Lead Free Brass C46500
5	Compression Nut	Brass C37700
6	Gasket	PTFE
7	Bonnet	Lead Free Brass C46500
8	Gasket	PTFE
9	Seal Gasket	EPDM
10	Body	Lead Free Brass C46500
11	Plastic Nut	ABS Plastic
12	PEX End Connection	Lead Free Brass C46500
13	Screw	304 Stainless Steel

### Dimensions

Part No.	Size	A	B (Open)	C	D
201-123G	1/2"	1.50	4.61	2.10	0.63

# Lead Free Brass Stop Valve

## Threaded Connection • 200 WOG



**T-601G**

### Features

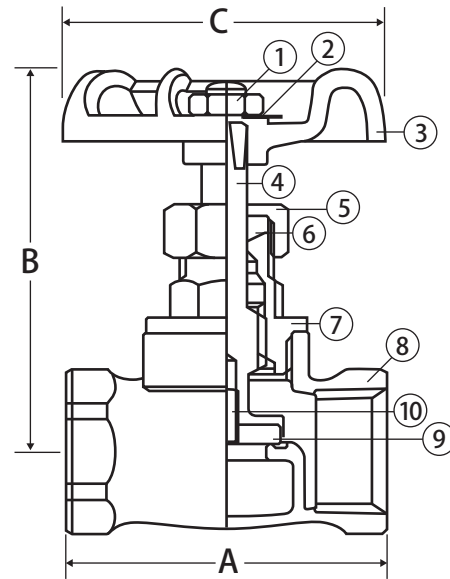
- Wetted surfaces contain less than .25% lead content

### Approvals

- Truesdail Certified
  - NSF 372
- ANSI B1.20.1

### Pressure Rating

- 200 WOG and 180 °F



### Material Specifications

No.	Part	Materials
1	Handle Nut	Steel
2	Name Plate	Aluminum
3	Hand Wheel	Cast Iron
4	Stem	Lead Free Brass
5	Packing Nut	Lead Free Brass
6	Gland Packing	Buna-N
7	Bonnet	Lead Free Cast Brass
8	Body	Lead Free Cast Brass
9	Seat Packing	Buna-N
10	Seat Screw	Lead Free Brass

### Dimensions

Part No.	Size	A	B	C
200-003G	1/2"	2.13	2.64	2.13
200-004G	3/4"	2.17	2.64	2.13

LT-JV-C 082018

# Lead Free Brass Stop Valve

## Solder Connection • 200 WOG



**S-601G**

### Features

- Wetted surfaces contain less than .25% lead content

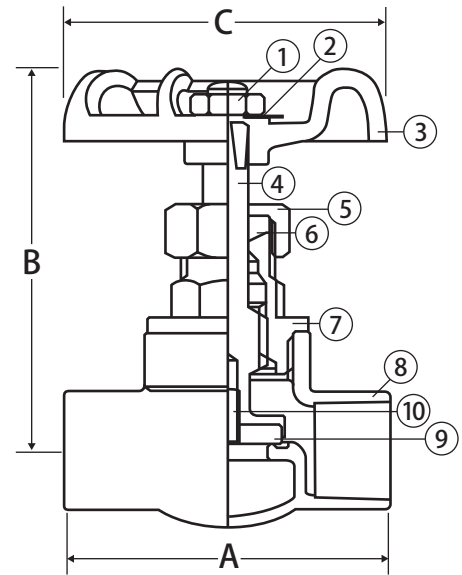
### Approvals

- Truesdail Certified
  - NSF 372
- ASME/ANSI B16.18

### Pressure Rating

- 200 WOG

**WARNING:** This product can expose you to chemicals including lead, which is known to the State of California to cause cancer, and lead, which is known to the State of California to cause birth defects or other reproductive harm. For more information go to [www.P65Warnings.ca.gov](http://www.P65Warnings.ca.gov).



### Material Specifications

No.	Part	Materials
1	Handle Nut	Steel
2	Name Plate	Aluminum
3	Hand Wheel	Cast Iron
4	Stem	Lead Free Brass
5	Packing Nut	Lead Free Brass
6	Gland Packing	Buna-N
7	Bonnet	Lead Free Cast Brass
8	Body	Lead Free Cast Brass
9	Seat Packing	Buna-N
10	Seat Screw	Lead Free Brass

### Dimensions

Part No.	Size	A	B	C
200-103G	1/2"	2.17	2.64	2.13
200-104G	3/4"	2.72	2.64	2.13

# Lead Free Brass Stop & Waste Valve



## Threaded Connection • 200 WOG



**T-611G**

### Features

- Manufactured in ISO-9001 facility
- Wetted surfaces contain less than .25% lead content

### Approvals

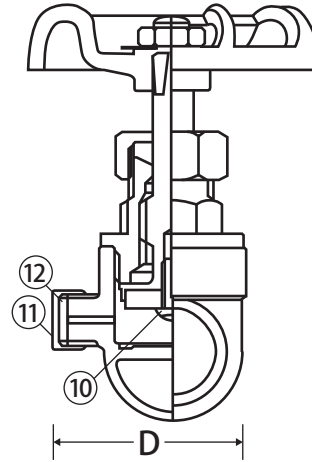
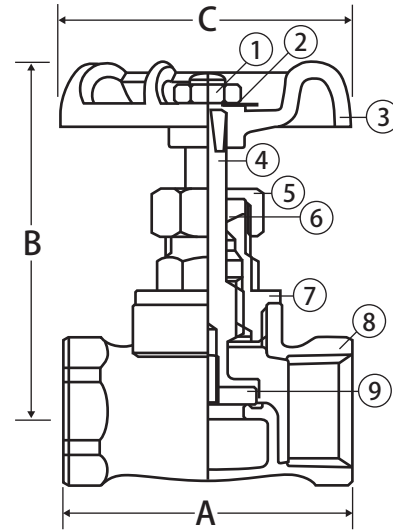
- Truesdail Certified
  - NSF 372
- ANSI B1.20.1

### Pressure Rating

- 200 WOG



**WARNING:** This product can expose you to chemicals including lead, which is known to the State of California to cause cancer, and lead, which is known to the State of California to cause birth defects or other reproductive harm. For more information go to [www.P65Warnings.ca.gov](http://www.P65Warnings.ca.gov).



### Material Specifications

No.	Part	Materials
1	Handle Nut	Steel
2	Name Plate	Aluminum
3	Hand Wheel	Cast Iron
4	Stem	Lead Free Brass
5	Packing Nut	Lead Free Brass
6	Gland Packing	Buna-N
7	Bonnet	Lead Free Cast Brass
8	Body	Lead Free Cast Brass
9	Seat Packing	Buna-N
10	Seat Screw	Lead Free Brass
11	Drain Cap	Lead Free Brass
12	Drain Packing	Buna-N

### Dimensions

Part No.	Size	A	B	C	D
200-203G	1/2"	2.13	2.64	2.13	0.91
200-204G	3/4"	2.17	2.64	2.13	0.99

LT-JV-C 082018

# Lead Free Brass Stop & Waste Valve

**Jomar VALVE** LEAD FREE

## Solder Connection • 200 WOG



**S-611G**

### Features

- Manufactured in ISO-9001 facility
- Wetted surfaces contain less than .25% lead content

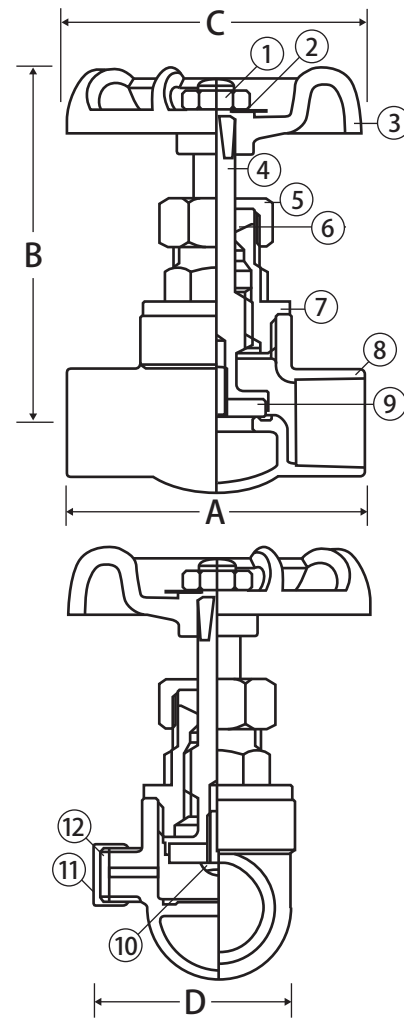
### Approvals

- Truesdail Certified
  - NSF 372
- ASME/ANSI B16.18

### Pressure Rating

- 200 WOG

**WARNING:** This product can expose you to chemicals including lead, which is known to the State of California to cause cancer, and lead, which is known to the State of California to cause birth defects or other reproductive harm. For more information go to [www.P65Warnings.ca.gov](http://www.P65Warnings.ca.gov).



### Material Specifications

No.	Part	Materials
1	Handle Nut	Steel
2	Name Plate	Aluminum
3	Hand Wheel	Cast Iron
4	Stem	Lead Free Brass
5	Packing Nut	Lead Free Brass
6	Gland Packing	Buna-N
7	Bonnet	Lead Free Cast Brass
8	Body	Lead Free Cast Brass
9	Seat Packing	Buna-N
10	Seat Screw	Lead Free Brass
11	Drain Cap	Lead Free Brass
12	Drain Packing	Buna-N

### Dimensions

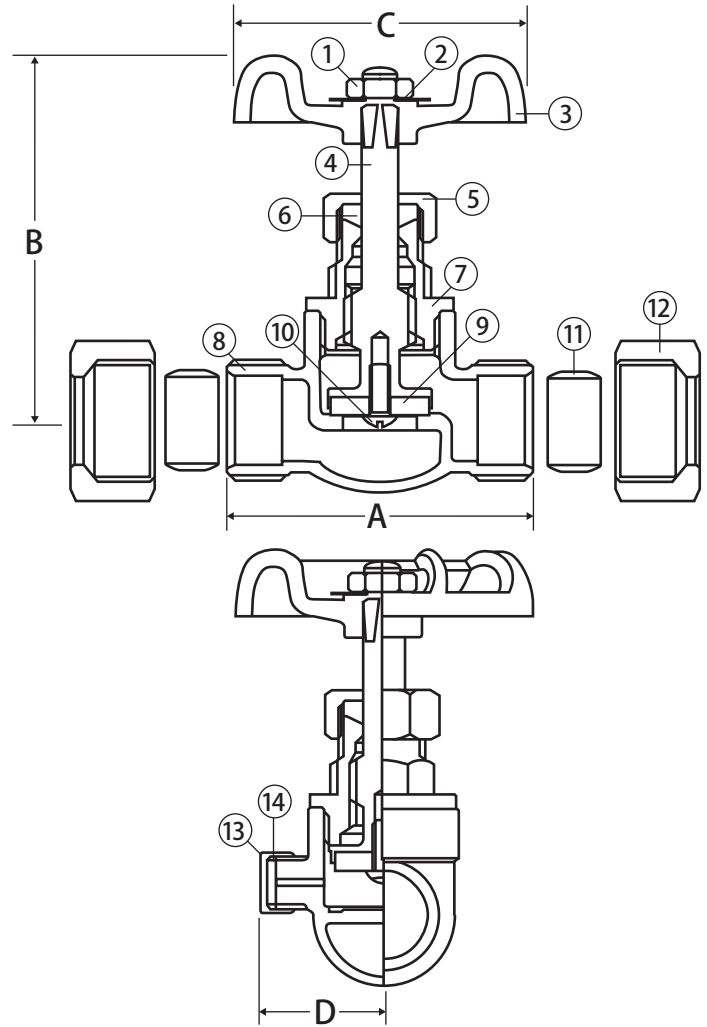
Part No.	Size	A	B	C	D
200-303G	1/2"	2.17	2.64	2.13	0.91
200-304G	3/4"	2.72	2.64	2.13	0.99

# Lead Free Brass Stop & Waste Valve

## Compression Connection • 200 WOG



**T-612G**



**Features**

- Wetted surfaces contain less than .25% lead content

**Approvals**

- Truesdail Certified
  - NSF 372

**Pressure Rating**

- 200 WOG

**Material Specifications**

No.	Part	Materials
1	Handle Nut	Steel
2	Name Plate	Aluminum
3	Hand Wheel	Cast Iron
4	Stem	Lead Free Brass
5	Packing Nut	Lead Free Brass
6	Gland Packing	Buna-N
7	Bonnet	Lead Free Cast Brass
8	Body	Lead Free Cast Brass
9	Seat Packing	Buna-N
10	Seat Screw	Lead Free Brass
11	Compression Ring	Brass Tube
12	Compression Nut	Lead Free Cast Brass
13	Drain Cap	Lead Free Brass
14	Drain Packing	Buna-N

**Dimensions**

Part No.	Size	A	B	C	D
200-313G	1/2"	2.21	2.64	2.13	0.91
200-314G	3/4"	2.36	2.64	2.13	0.99

LT-JV-C 082018



# Lead Free Brass Sillcock

## Female Threaded Connection • 125 WOG



**T-641G**

### Features

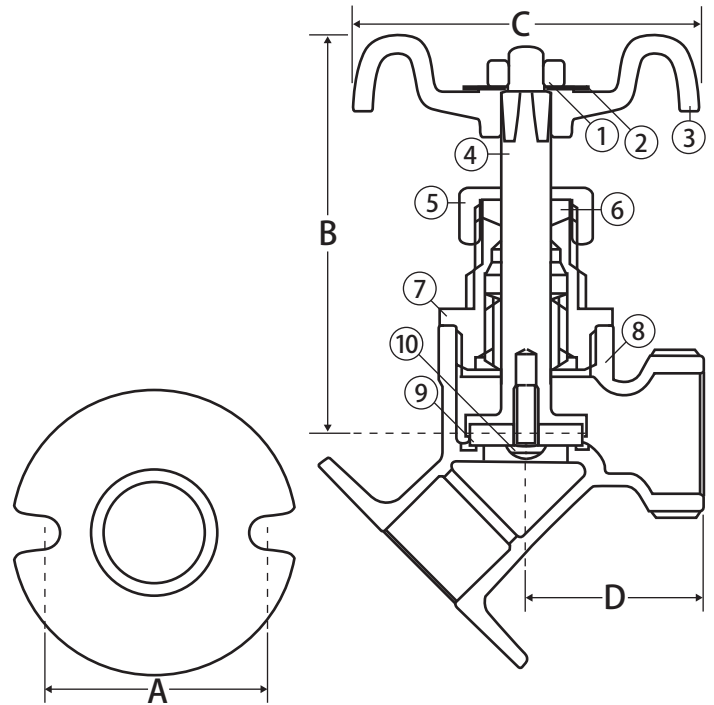
- 3/4" hose thread outlet
- Wetted surfaces contain less than .25% lead content

### Approvals

- Truesdail Certified
- Lead Free Compliant
- ANSI B1.20.1
- ANSI B1.20.7

### Pressure Rating

- 125 WOG



### Material Specifications

No.	Part	Materials
1	Handle Nut	Steel
2	Name Plate	Aluminum
3	Handle Wheel	Cast Iron
4	Stem	Lead Free Brass
5	Packing Nut	Lead Free Brass
6	Gland Packing	Buna-N
7	Bonnet	Lead Free Cast Brass
8	Body	Lead Free Cast Brass
9	Seat Packing	Buna-N
10	Seat Screw	Lead Free Brass

### Dimensions

Part No.	Size	A	B	C	D
202-003G	1/2"	1.10	2.52	2.13	1.38
202-004G	3/4"	1.10	2.52	2.13	1.62

# Lead Free Brass Sillcock

## Solder Connection • 125 WOG



**S-641G**

### Features


- 3/4" hose thread outlet
- Wetted surfaces contain less than .25% lead content

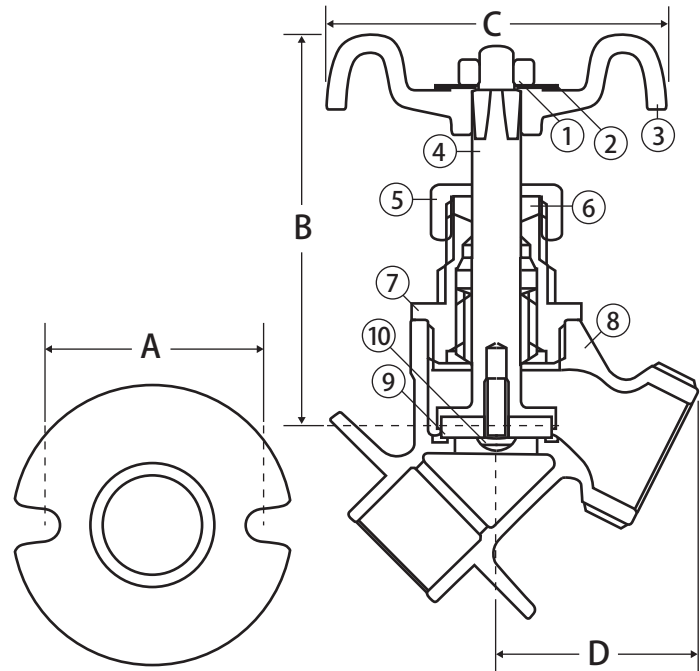
### Approvals

- Truesdail Certified
- Lead Free Compliant
- ASME/ANSI B16.18
- ANSI B1.20.7

### Pressure Rating

- 125 WOG

 **WARNING:** This product can expose you to chemicals including lead, which is known to the State of California to cause cancer, and lead, which is known to the State of California to cause birth defects or other reproductive harm. For more information go to [www.P65Warnings.ca.gov](http://www.P65Warnings.ca.gov).



### Material Specifications

No.	Part	Materials
1	Handle Nut	Steel
2	Name Plate	Aluminum
3	Handle Wheel	Cast Iron
4	Stem	Lead Free Brass
5	Packing Nut	Lead Free Brass
6	Gland Packing	Buna-N
7	Bonnet	Lead Free Cast Brass
8	Body	Lead Free Cast Brass
9	Seat Packing	Buna-N
10	Seat Screw	Lead Free Brass

### Dimensions

Part No.	Size	A	B	C	D
202-103G	1/2"	1.10	2.52	2.13	1.38
202-104G	3/4"	1.10	2.52	2.13	1.62

LT-JV-C 082018

# Lead Free Brass Hose Bibb Ball Valve

Nickel Plated • Threaded Connections • Quarter Turn • 200 WOG



T-632G

### Features


- Aluminum T-handle for easy operation
- Long life positive shutoff
- Nickel-plated finish
- 1/2" has combination 1/2" MIP and 1/2" solder inlet
- Wetted surfaces contain less than .25% lead content

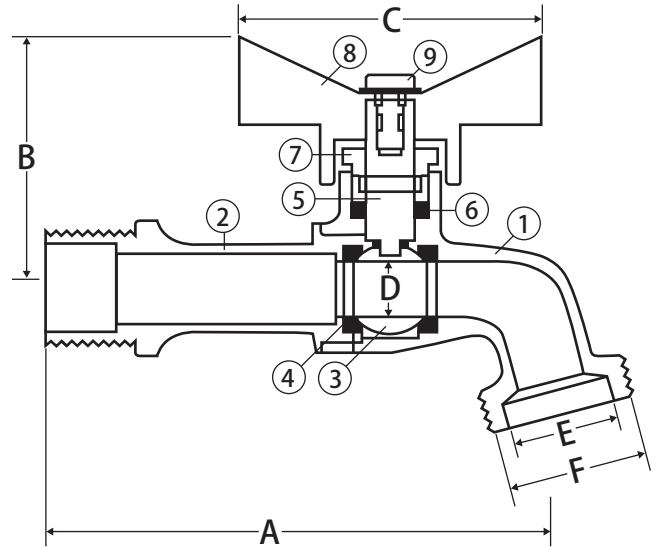
### Approvals

- Truesdail Certified
- Lead Free Compliant
- ANSI B1.20.1 and B1.20.7

### Valve Seat Rating

- 200 WOG

 **WARNING:** This product can expose you to chemicals including lead, which is known to the State of California to cause cancer, and lead, which is known to the State of California to cause birth defects or other reproductive harm. For more information go to [www.P65Warnings.ca.gov](http://www.P65Warnings.ca.gov).



### Material Specifications

No.	Part	Materials
1	Body	Lead Free Nickel Plated Brass
2	End Connection	Lead Free Nickel Plated Brass
3	Ball	Lead Free Chrome Plated Brass
4	Seat (2)	PTFE
5	Stem	Lead Free Brass
6	Packing	PTFE
7	Packing Gland	Lead Free Brass
8	Handle	Aluminum
9	Handle Nut	Lead Free Nickel Plated Brass

### Dimensions

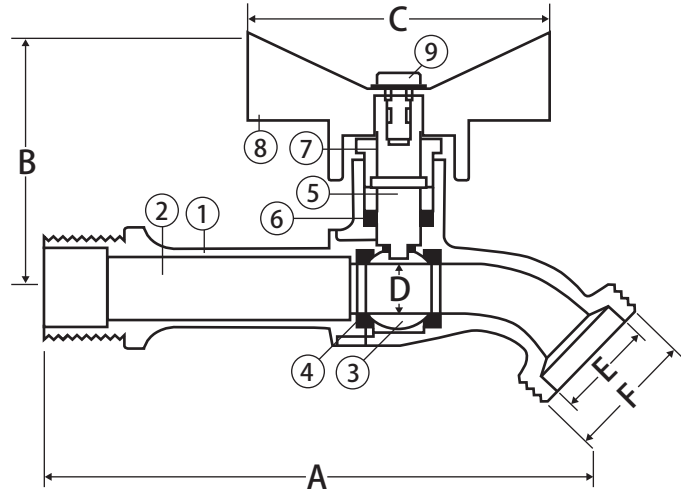
Part No.	Size	A	B	C	D	E	F
201-205G	1/2"	3.02	1.43	1.91	0.39	0.75	3/4 GHT
201-206G	3/4"	3.06	1.43	1.91	0.39	0.75	3/4 GHT

# Lead Free Brass Hose Bibb Ball Valve LEAD FREE

Nickel Plated • Threaded and Solder Connections •  
Quarter Turn • 200 WOG • with No Kink



T-632NKG



### Features


- Aluminum T-handle for easy operation
- Long life positive shut-off
- Nickel-plated finish
- 1/2" has combination 1/2" MIP and 1/2" solder inlet
- Wetted surfaces contain less than .25% lead content

### Approvals

- Truesdail Certified
- Lead Free Compliant
- ANSI B1.20.1 and B1.20.7

### Valve Seat Rating

- 200 WOG

 **WARNING:** This product can expose you to chemicals including lead, which is known to the State of California to cause cancer, and lead, which is known to the State of California to cause birth defects or other reproductive harm. For more information go to [www.P65Warnings.ca.gov](http://www.P65Warnings.ca.gov).

### Material Specifications

No.	Part	Materials
1	Body	Lead Free Nickel Plated Brass
2	End Connection	Lead Free Nickel Plated Brass
3	Ball	Lead Free Chrome Plated Brass
4	Seat (2)	PTFE
5	Stem	Lead Free Brass
6	Packing	PTFE
7	Packing Gland	Lead Free Brass
8	Handle	Aluminum
9	Handle Screw	Lead Free Nickel Plated Brass

### Dimensions

Part No.	Size	A	B	C	D	E	F
201-207G	1/2"	3.97	1.97	2.58	0.39	0.75	3/4 GHT
201-208G	3/4"	3.97	1.97	2.58	0.39	0.75	3/4 GHT

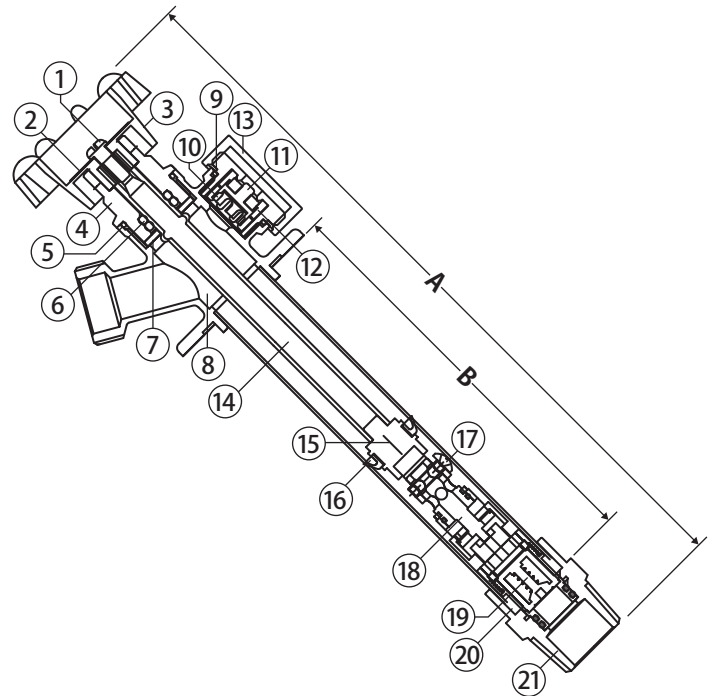
LT-JV-C 082018

# Lead Free Brass Sillcock

## Quarter-Turn Frost Free Sillcock with Integral Vacuum Breaker



**T-540G**



### Features

- Lead Free dezincification resistant brass
- 1/4-turn positive shut-off
- Integral check valve protecting against back flow
- Integral vacuum breaker protecting against back siphoning
- Angled notched flange for easy installation and draining
- Lock-shield design
- MNPT ends have 1/2" copper solder inside
- MNPT slot and PEX end options
- Complies with ASSE 1019, ASME A112.18 & CSA B1215.1
- Replacement cartridges available

### Approvals

- IAPMO Certified
  - NSF 372
  - NSF/ANSI 61
- ANSI B1.20.1
- ANSI B1.20.7
- ANSI B16.18

### Dimensions

Part No.	Size	A	B
MIP and Solder End			
202-202G	1/2" x 6"	10.63	6.00
202-203G	1/2" x 8"	12.63	8.00
202-204G	1/2" x 10"	14.63	10.00
202-205G	1/2" x 12"	16.63	12.00
202-206G	1/2" x 14"	18.63	14.00
PEX End			
202-202PEG	1/2" x 6"	11.37	6.00
202-203PEG	1/2" x 8"	13.37	8.00
202-204PEG	1/2" x 10"	15.38	10.00
202-205PEG	1/2" x 12"	17.37	12.00

### Material Specifications

No.	Part	Materials
1	Screw	SS304
2	Label	Aluminum
3	Handle	AL Alloy
4	Bonnet	Chrome Plated LF Brass
5	O-ring	EPDM
6	O-ring	EPDM
7	Washer	SS304
8	Body	Chrome Plated LF Brass
9	O-ring	EPDM
10	Vacuum Breaker Seat	EPDM
11	Vacuum Breaker Disc	POM
12	Vacuum Breaker Body	POM
13	Vacuum Breaker Cap	Chrome Plated ABS
14	Stem	Brass
15	Stem	LF Brass
16	Packing	EPDM
17	Set Screw	SS304
18	Cartridge	Ceramic + LF Brass
19	Check Valve	POM
20	Tube	Chrome Plated Brass
21	Adapter	Chrome Plated LF Brass



**WARNING:** This product can expose you to chemicals including lead, which is known to the State of California to cause cancer, and lead, which is known to the State of California to cause birth defects or other reproductive harm. For more information go to [www.P65Warnings.ca.gov](http://www.P65Warnings.ca.gov).

# Lead Free Vacuum Breaker

## Threaded Connection



T-653G

### Features

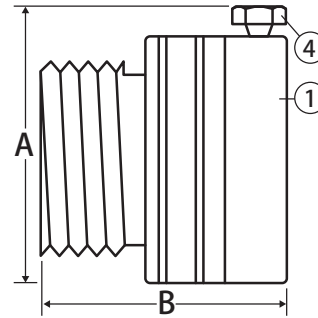
- 3/4" hose connection
- Tamper-resistant breakaway screw
- Heavy brass construction
- POM internal components
- Wetted surfaces contain less than .25% lead content

### Approvals

- Lead Free Compliant
- ANSI B1.20.7

### Temperature and Pressure Ratings

- 300 WOG - 150 PSI



### Material Specifications

No.	Part	Materials
1	Body	Lead Free Brass
2	Diaphragm*	Buna-N
3	Spring*	Stainless Steel
4	Set Screw	Steel

\*Not shown in drawing

### Dimensions

Part No.	Size	A	B
203-204G	3/4"	1.31	1.25



**WARNING:** This product can expose you to chemicals including lead, which is known to the State of California to cause cancer, and lead, which is known to the State of California to cause birth defects or other reproductive harm. For more information go to [www.P65Warnings.ca.gov](http://www.P65Warnings.ca.gov).

# Lead Free Chrome-Plated Vacuum Breaker

## Threaded Connection



T-654G

### Features

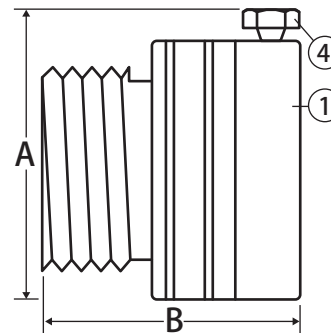
- 3/4" hose connection
- Tamper-resistant breakaway screw
- Heavy brass construction
- POM internal components
- Wetted surfaces contain less than .25% lead content

### Approvals

- Lead Free Compliant
- ANSI B1.20.7

### Temperature and Pressure Ratings

- 300 WOG - 150 PSI



### Material Specifications

No.	Part	Materials
1	Body	Chrome Plated Lead Free Brass
2	Diaphragm*	Buna-N
3	Spring*	Stainless Steel
4	Set Screw	Steel

\* Not shown in drawing

### Dimensions

Part No.	Size	A	B
203-205G	3/4"	1.31	1.25



**WARNING:** This product can expose you to chemicals including lead, which is known to the State of California to cause cancer, and lead, which is known to the State of California to cause birth defects or other reproductive harm. For more information go to [www.P65Warnings.ca.gov](http://www.P65Warnings.ca.gov).

LT-JV-C 082018

# Lead Free Add-A-Valve®

## Emergency Shut Off Device



**Lead Free Add-A-Valve**

### Description

Emergency shut off device for copper tubing eliminates shutdowns. Allows replacement of defective valve or installation of new valve on hot or cold water in 30 minutes or less\* without shutting off water. Valve may be replaced or installed on potable hot or cold water, H<sub>2</sub>O glycol systems, under pressure, on type M, L & K and copper tube.

\*Times may vary depending on working conditions

### Features

- Eliminates facility shutdowns
- Bottom cleanout cap serves as full port line tap
- Lead free sweat ball valve included in package
- Loc-Tite® gasket sealant included
- U.S. and Canadian patent no. 5,316,037
- Wetted surfaces contain less than .25% lead content

### Approvals

- IAPMO Certified
  - NSF 372

### Pressure Rating

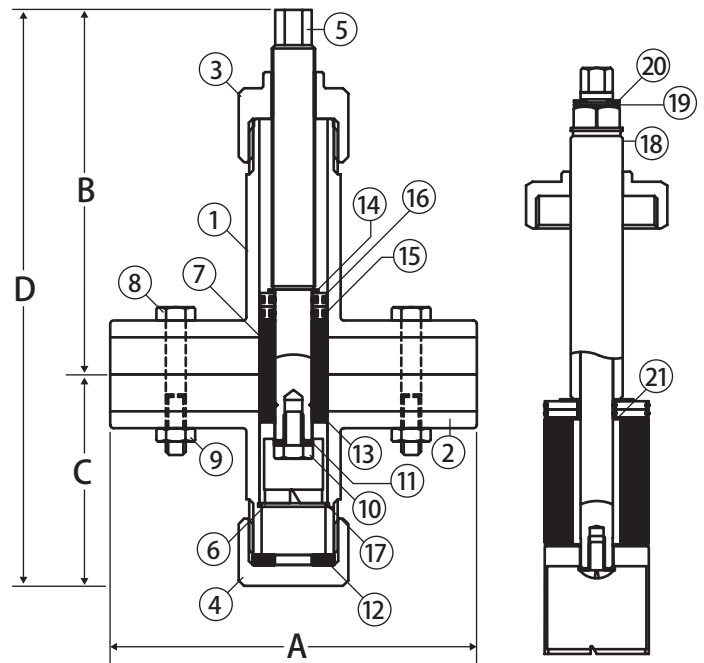
- 220°F x 250 PSI

### Installation Note

For sizes 1-1/4" - 2" you MUST have 2 people.

Detailed instructions can be found online at:  
<http://www.jomarvalve.com/products/add-a-valve-lf>

**WARNING:** This product can expose you to chemicals including lead, which is known to the State of California to cause cancer, and lead, which is known to the State of California to cause birth defects or other reproductive harm. For more information go to [www.P65Warnings.ca.gov](http://www.P65Warnings.ca.gov).



### Material Specifications

No.	Part	Materials
1	Body Half - Top	Lead Free Forged Brass
2	Body Half - Bottom	Lead Free Forged Brass
3	Stem Holder (1/2 - 1")	Brass
	(1-1/4 - 2")	Forged Brass
4	Bottom Cap (1/2 - 1")	Lead Free Brass
	(1-1/4 - 2")	Lead Free Forged Brass
5	Stem	Hardened Steel
6	Cutter	SKD11 Steel
7	Plug	Viton®
8	Bolt	304 Stainless Steel
9	Nut	304 Stainless Steel
10	Cutter Screw	304 Stainless Steel
11	Washer	304 Stainless Steel
12	Gasket	Viton®
13	Washer	304 Stainless Steel
14	Washer	304 Stainless Steel
15	O-ring	Viton®
16	O-ring Holder	Lead Free Brass
17	Seat Ring	304 Stainless Steel
18	Thread Tube	Brass
19	Washer	304 Stainless Steel
20	Spring Washer	304 Stainless Steel
21	Insert (2" only)	Brass

### Dimensions

Part No.	Size	A	B	C	D (Open)	D (Closed)
800-103ADDG	1/2"	2.99	5.08	1.61	6.69	5.12
800-104ADDG	3/4"	3.31	6.30	2.48	8.78	6.77
800-105ADDG	1"	3.66	7.48	2.80	10.28	7.68
800-106ADDG	1-1/4"	4.25	9.77	2.80	12.72	9.77
800-107ADDG	1-1/2"	4.65	10.43	3.58	13.86	10.43
800-108ADDG	2"	7.20	12.17	3.98	16.61	12.17

# Brass Ball Valve

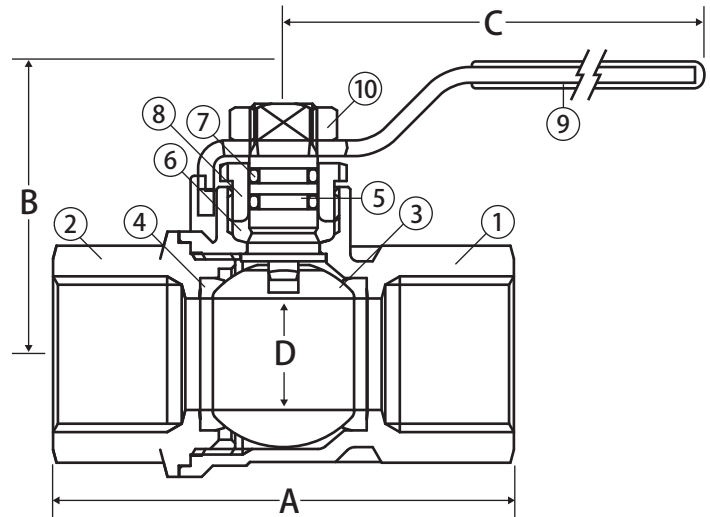


2 Piece • Full Port • Threaded Connections • 600 WOG



T-100NE

CRN# OC16887.5469870YTN



## Features

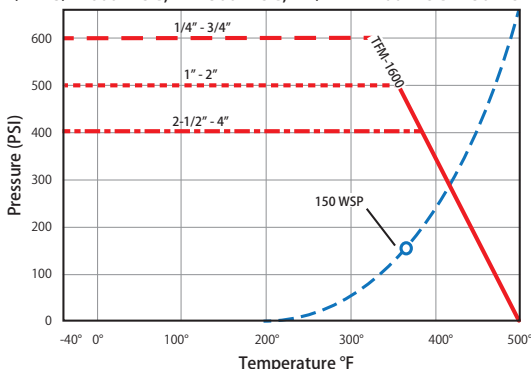
- Blow-out proof stem
- Triple sealing stem with 2 Viton® o-rings and Hostaflo® seal
- 100% leak tested
- 100% Made in Italy
- Leakproof stem - Lifetime Warranty
- 29 in-HG vacuum rating
- Accessories available

## Approvals

- UL Listed (1/4" - 2")
  - VQGU - Trim & drain
  - MHKZ - Manual valves
  - YQNZ - Compressed gas shut-off valves
  - YRBX - Flammable liquid shut-off valves
  - YRPV - Gas shut-off valves
  - YSDT - LP gas shut-off valves
  - SFJQ - Valves, refrigerant
- CSA Certified
  - ANSI Z21.15 (.5 PSIG) (1/4" - 3")
  - ASME B16.33 (125 PSIG) (1/2" - 2")
  - ASME B16.38 (125PSIG) (2-1/2" - 4")
  - CGA 3.16 (125 PSI) (1/4" - 4")
  - CGA 9.2 (1/4" - 3")
  - Delta C (3/8" - 3/4")
- MSS SP-110
- ANSI B1.20.1
- FM Approval (1/4" - 3/4" 600 WOG, 1" - 2" 500 WOG)

## Valve Seat Rating

1/4" - 3/4" 600 WOG, 1-2" 500 WOG, 2-1/2" - 4" 400 WOG - 150 WSP



## Material Specifications

No.	Part	Materials
1	Body	Brass - CW617N
2	End Connection	Brass - CW617N
3	Ball	T.E.A. Coated Brass - CW617N
4	Seat (2)	Hostaflo® TFM 1600
5	Stem	Brass - CW614N
6	Packing	Hostaflo® TFM 1600
7	Stem O-ring (2)	Viton®
8	Packing Gland	Brass - CW614N
9	Handle	Steel - Geomet® Plated
10	Handle Nut	Steel - Geomet® Plated

## Dimensions

Part No.	Size	A	B	C	D	Cv
100-701	1/4"	1.86	1.41	2.95	0.39	7.66
100-702	3/8"	1.86	1.41	2.95	0.39	7.77
100-703	1/2"	2.45	1.53	2.95	0.59	16.82
100-704	3/4"	2.71	1.95	3.74	0.79	34.80
100-705	1"	3.30	2.40	4.75	0.97	52.20
100-706	1-1/4"	3.80	2.59	4.75	1.23	112.52
100-707	1-1/2"	4.16	3.22	6.00	1.49	174.00
100-708	2"	5.00	3.40	6.00	1.99	255.20
100-709	2-1/2"	6.06	4.60	8.00	2.46	350.32
100-710	3"	7.08	4.90	8.00	2.99	563.76
100-711	4"	8.57	5.90	9.88	4.00	879.28

**WARNING:** This product can expose you to chemicals including lead, which is known to the State of California to cause cancer, and lead, which is known to the State of California to cause birth defects or other reproductive harm. For more information go to [www.P65Warnings.ca.gov](http://www.P65Warnings.ca.gov).

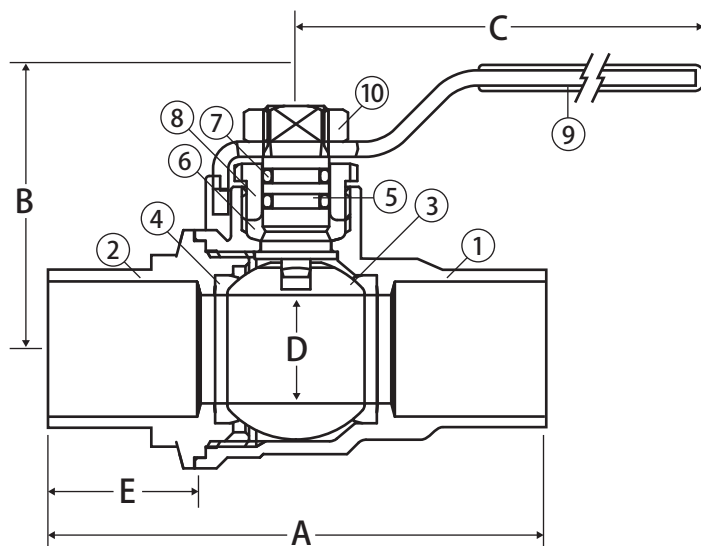


# Brass Ball Valve

2 Piece • Full Port • Solder Connection • 600 WOG



S-100NE



### Features

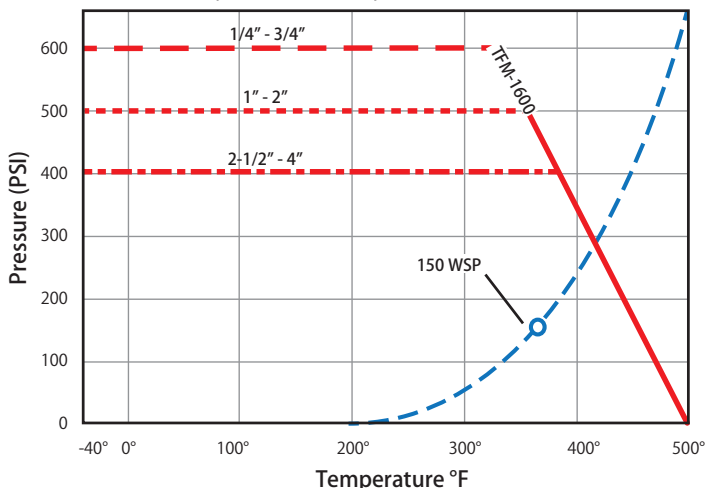
- Blow-out proof stem
- Triple sealing stem with 2 Viton® o-rings and Hostaflo® seal
- 100% leak tested
- 100% Made in Italy
- Leakproof stem - Lifetime Warranty
- 29 in-Hg vacuum rating
- Accessories available

### Approvals

- UL Listed (1/2" - 2")
  - VQGU - Trim & drain
- MSS SP-110
- ASME/ANSI B16.18
- FM Approval (1/2" - 3/4" 600 WOG, 1" - 2" 500 WOG)

### Valve Seat Rating

1/4" - 3/4" 600 WOG, 1-2" 500 WOG, 2-1/2" - 4" 400 WOG - 150 WSP



### Material Specifications

No.	Part	Materials
1	Body	Brass - CW617N
2	End Connection	Brass - CW617N
3	Ball	T.E.A. Coated Brass - CW617N
4	Seat (2)	Hostaflo® TFM 1600
5	Stem	Brass - CW614N
6	Packing	Hostaflo® TFM 1600
7	Stem O-ring (2)	Viton®
8	Packing Gland	Brass - CW614N
9	Handle	Steel - Geomet® Plated
10	Handle Nut	Steel - Geomet® Plated

### Dimensions

Part No.	Size	A	B	C	D	E	Cv
100-803	1/2"	2.48	1.56	2.95	0.59	0.51	16.82
100-804	3/4"	3.26	2.05	3.74	0.79	0.76	34.80
100-805	1"	3.94	2.55	4.75	0.97	0.92	52.20
100-806	1-1/4"	4.50	2.66	4.75	1.23	0.98	112.52
100-807	1-1/2"	5.07	3.31	6.00	1.49	1.10	174.00
100-808	2"	6.22	3.60	6.00	1.99	1.34	255.20
100-809	2-1/2"	7.28	4.74	8.00	2.46	1.45	350.32
100-810	3"	8.48	5.05	8.00	2.99	1.63	563.76

**WARNING:** This product can expose you to chemicals including lead, which is known to the State of California to cause cancer, and lead, which is known to the State of California to cause birth defects or other reproductive harm. For more information go to [www.P65Warnings.ca.gov](http://www.P65Warnings.ca.gov).

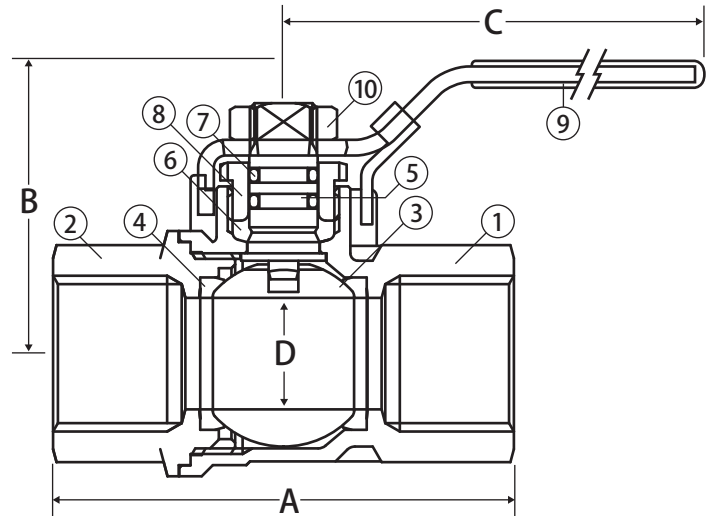
# Brass Ball Valve



**2 Piece • Full Port • Threaded Connections • 600 WOG •  
with Stainless Steel Latch Lock Handle**



**T-100NE-LH**



## Features

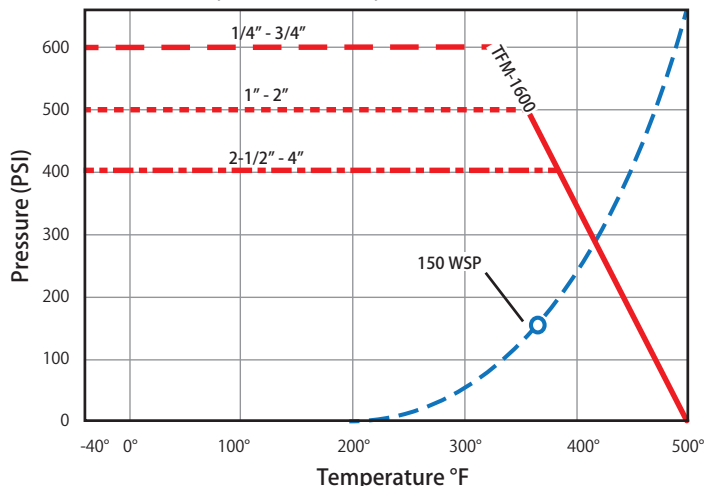
- Blow-out proof stem
- Triple sealing stem with 2 Viton® o-rings and Hostaflon® seal
- 100% leak tested
- 100% Made in Italy
- Leakproof stem - Lifetime Warranty
- 29 in-Hg vacuum rating
- Accessories available

## Approvals

- MSS SP-110
- ANSI B1.20.1

## Valve Seat Rating

1/4" - 3/4" 600 WOG, 1-2" 500 WOG, 2-1/2" - 4" 400 WOG - 150 WSP



## Material Specifications

No.	Part	Materials
1	Body	Brass - CW617N
2	End Connection	Brass - CW617N
3	Ball	T.E.A. Coated Brass - CW617N
4	Seat (2)	Hostaflon® TFM 1600
5	Stem	Brass - CW614N
6	Packing	Hostaflon® TFM 1600
7	Stem O-ring (2)	Viton®
8	Packing Gland	Brass - CW614N
9	Handle	Steel - Geomet® Plated
10	Handle Nut	Steel - Geomet® Plated

## Dimensions

Part No.	Size	A	B	C	D	Cv
100-701LH	1/4"	1.86	1.41	2.95	0.39	7.66
100-702LH	3/8"	1.86	1.41	2.95	0.39	7.77
100-703LH	1/2"	2.45	1.53	2.95	0.59	16.82
100-704LH	3/4"	2.71	1.95	3.74	0.79	34.80
100-705LH	1"	3.30	2.40	4.75	0.97	52.20
100-706LH	1-1/4"	3.80	2.59	4.75	1.23	112.52
100-707LH	1-1/2"	4.16	3.22	6.00	1.49	174.00
100-708LH	2"	5.00	3.40	6.00	1.99	255.20



**WARNING:** This product can expose you to chemicals including lead, which is known to the State of California to cause cancer, and lead, which is known to the State of California to cause birth defects or other reproductive harm. For more information go to [www.P65Warnings.ca.gov](http://www.P65Warnings.ca.gov).

LT-JV-C 082018

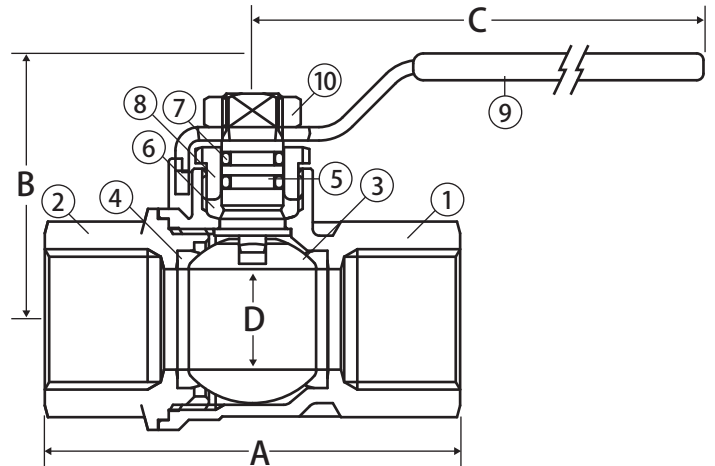
# Brass Ball Valve

2 Piece • Full Port • Threaded Connection • 600 WOG •  
Stainless Steel Ball and Stem



T-100SSE

CRN# 0C16887.5469870YTN



## Features

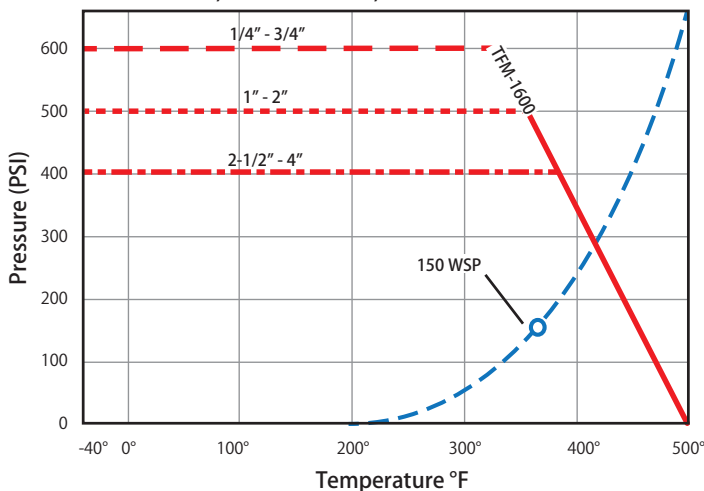
- Blow-out proof stem
- T.E.A. Ternary Eco Alloy® coated body, which prevents dezincification and galvanic corrosion
- Triple sealing stem with 2 Viton® o-rings and Hostaflo® seal
- 100% leak tested
- 100% Made in Italy
- Leakproof stem - Lifetime Warranty
- 29 in-Hg vacuum rating
- Accessories available

## Approvals

- CSA Certified
  - ASME B16.33 (125 PSIG) (1/2" - 2")
  - CGA 3.16 (125 PSIG) (1/4" - 2")
- ANSI B1.20.1
- FM Approval (1/4" - 3/4" 600 WOG, 1" - 2" 500 WOG)
- MSS SP-110

## Valve Seat Rating

1/4" - 3/4" 600 WOG, 1-2" 500 WOG, 2-1/2" - 4" 400 WOG - 150 WSP



## Material Specifications

No.	Part	Materials
1	Body	T.E.A. Coated Brass - CW617N
2	End Connection	T.E.A. Coated Brass - CW617N
3	Ball	316 Stainless Steel
4	Seat (2)	Hostaflo® TFM 1600
5	Stem	316 Stainless Steel
6	Packing	Hostaflo® TFM 1600
7	Stem O-ring (2)	Viton®
8	Packing Gland	Nickel Plated Brass - CW614N
9	Handle	Steel - Geomet® Plated
10	Handle Nut	Steel - Geomet® Plated

## Dimensions

Part No.	Size	A	B	C	D	Cv
100-501	1/4"	1.86	1.41	2.95	0.39	7.66
100-502	3/8"	1.86	1.41	2.95	0.39	7.77
100-503	1/2"	2.45	1.53	2.95	0.59	16.82
100-504	3/4"	2.71	1.95	3.74	0.79	34.80
100-505	1"	3.30	2.40	4.75	0.97	52.20
100-506	1-1/4"	3.80	2.59	4.75	1.23	112.52
100-507	1-1/2"	4.16	3.22	6.00	1.49	174.00
100-508	2"	5.00	3.40	6.00	1.99	255.20
100-509	2-1/2"	6.06	4.60	8.00	2.46	350.32
100-510	3"	7.08	4.90	8.00	2.99	563.76

**WARNING:** This product can expose you to chemicals including lead, which is known to the State of California to cause cancer, and lead, which is known to the State of California to cause birth defects or other reproductive harm. For more information go to [www.P65Warnings.ca.gov](http://www.P65Warnings.ca.gov).

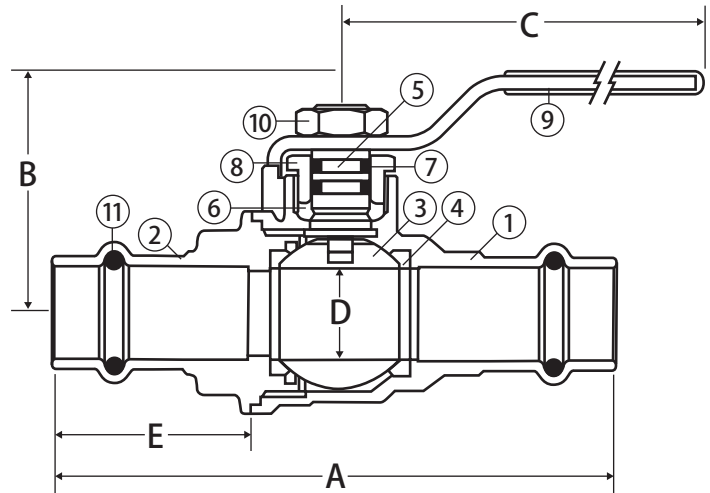
# Brass Ball Valve



2 Piece • Full Port • Press Connection • 250 WOG



JP-100\*



## Features

- Blow-out proof stem
- Triple sealing stem with 2 Viton® o-rings and Teflon® seal
- Corrosion resistant brass
- 100% leak tested
- 100% Made in Italy
- Leakproof stem - Lifetime Warranty
- Accessories available

## Approvals

- Conforms to IAPMO PS 117

## Pressure/Temperature Rating

- 250 WOG
- Max. 250°F

**WARNING:** This product can expose you to chemicals including lead, which is known to the State of California to cause cancer, and lead, which is known to the State of California to cause birth defects or other reproductive harm. For more information go to [www.P65Warnings.ca.gov](http://www.P65Warnings.ca.gov).

## Material Specifications

No.	Part	Materials
1	Body	Brass - CW602N
2	End Connection	Brass - CW602N
3	Ball	T.E.A. Coated Brass - CW617N
4	Seat (2)	Hostafon® TFM 1600
5	Stem	Brass - CW602N
6	Packing	Hostafon® TFM 1600
7	Stem O-ring (2)	Viton®
8	Packing Gland	Brass - CW602N
9	Handle	Steel - Geomet® Plated
10	Handle Nut	Steel - Geomet® Plated
11	O-ring (2)	EPDM

## Dimensions

Part No.	Size	A	B	C	D	E	Cv
100-203	1/2"	3.54	1.53	2.95	0.59	1.24	16.82
100-204	3/4"	3.84	1.95	3.74	0.79	1.28	34.80
100-205	1"	4.31	2.40	4.75	0.97	1.38	52.20
100-206	1-1/4"	4.80	2.59	4.75	1.23	1.30	112.52
100-207	1-1/2"	5.61	3.22	6.00	1.49	1.50	174.00
100-208	2"	7.16	3.40	6.00	1.99	2.01	255.20

LT-JV-C 082018

\*Previously listed as JP-100PxP

# Brass Ball Valve

2 Piece • Full Port • Press XLC Connection • 200 WOG



JP-100 XLC\*

### Features

- Blow-out proof stem
- Triple sealing stem with 2 Viton® o-rings and Teflon® seal
- Corrosion resistant brass
- 100% leak tested
- 100% Made in Italy
- Leakproof stem - Lifetime Warranty
- Accessories available

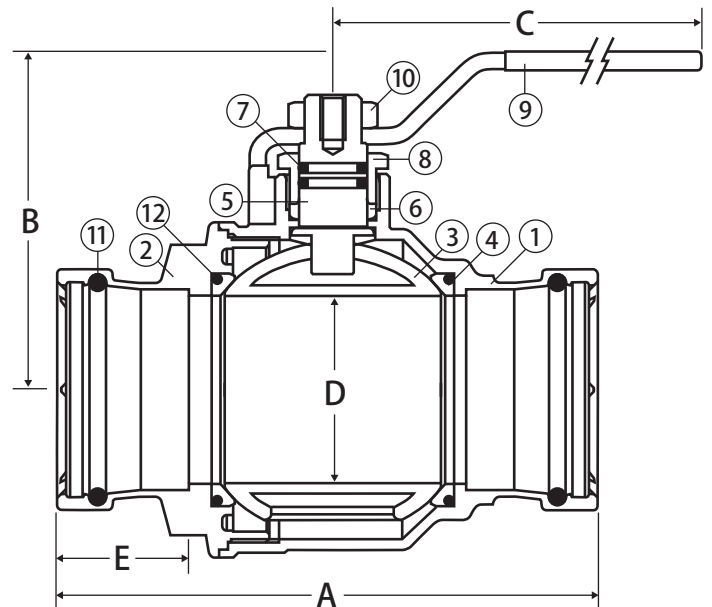
### Approvals

- Conforms to IAPMO PS 117

### Pressure/Temperature Rating

- 200 WOG
- Max. 250°F

**WARNING:** This product can expose you to chemicals including lead, which is known to the State of California to cause cancer, and lead, which is known to the State of California to cause birth defects or other reproductive harm. For more information go to [www.P65Warnings.ca.gov](http://www.P65Warnings.ca.gov).



### Material Specifications

No.	Part	Materials
1	Body	Brass - CW602N
2	End Connection	Brass - CW602N
3	Ball	Chrome Plated Brass - CW617N
4	Seat (2)	Hostaflon® TFM 1600
5	Stem	Brass - CW602N
6	Packing	Hostaflon® TFM 1600
7	Stem O-ring (2)	Viton®
8	Packing Gland	Brass - CW602N
9	Handle	Steel - Geomet® Plated
10	Handle Nut	Steel - Geomet® Plated
11	O-ring (2)	EPDM
12	O-ring (2)*	EPDM

\*On 3" & 4" only

### Dimensions

Part No.	Size	A	B	C	D	E	Cv
100-209XLC	2-1/2"	7.13	4.72	8.00	2.46	1.75	350.32
100-210XLC	3"	8.49	5.31	8.00	2.99	1.92	563.76
100-211XLC	4"	10.79	5.90	9.88	4.00	2.22	879.28

\*Previously listed as JP-100XP XLC

# Brass Ball Valve

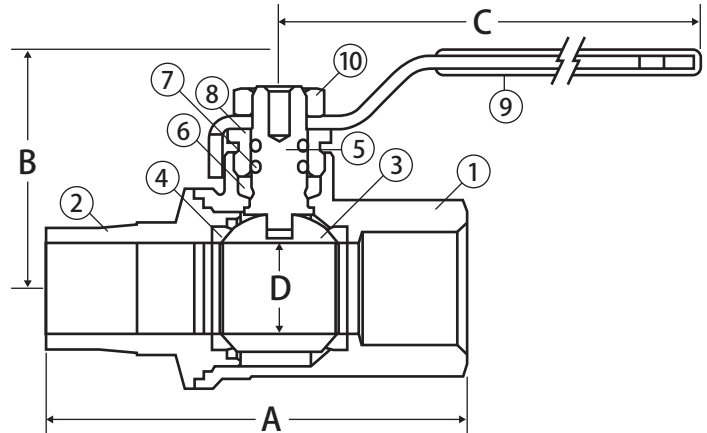


2 Piece • Full Port • Male x Threaded Female Connection • 600 WOG



T-100FMN

CRN# 0C16887.5469870YTN



## Features

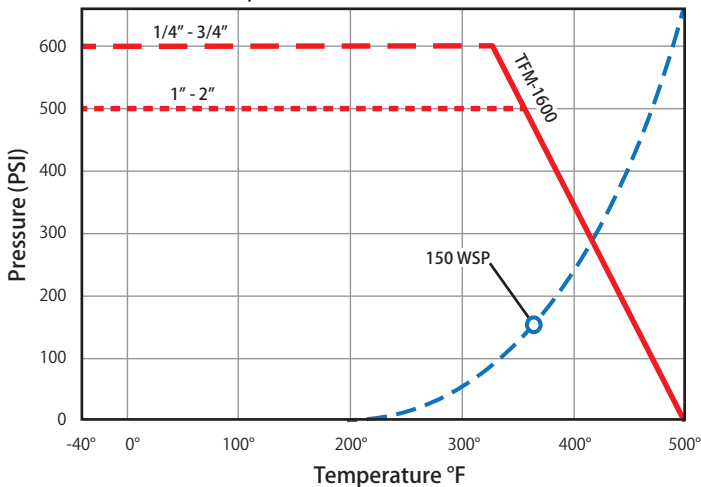
- Blow-out proof stem
- Triple sealing stem with 2 Viton® o-rings and Hostaflo® seal
- 100% leak tested
- 100% Made in Italy
- Leakproof stem - Lifetime Warranty
- 29 in-Hg vacuum rating
- Accessories available

## Approvals

- CSA Certified (1/4" - 1")
  - ASME B16.33 (125 PSIG)
  - CGA 3.16 (125 PSIG)
- MSS SP-110
- ANSI B1.20.1

## Valve Seat Rating

1/4" - 3/4" 600 WOG, 1" - 2" 500 WOG - 150 WSP



## Material Specifications

No.	Part	Materials
1	Body	Brass - CW617N
2	End Connection	Brass - CW617N
3	Ball	Chrome Plated Brass - CW617N
4	Seat (2)	Hostaflo® TFM 1600
5	Stem	Brass - CW614N
6	Packing	Hostaflo® TFM 1600
7	Stem O-ring (2)	Viton®
8	Packing Gland	Brass - CW614N
9	Handle	Steel - Geomet® Plated
10	Handle Nut	Steel - Geomet® Plated

## Dimensions

Part No.	Size	A	B	C	D	Cv
100-601	1/4"	2.29	1.41	2.95	0.39	7.66
100-602	3/8"	2.26	1.41	2.95	0.39	7.77
100-603	1/2"	2.75	1.53	2.95	0.59	16.82
100-604	3/4"	3.10	1.95	3.74	0.79	34.80
100-605	1"	3.68	2.40	4.75	0.97	52.20



**WARNING:** This product can expose you to chemicals including lead, which is known to the State of California to cause cancer, and lead, which is known to the State of California to cause birth defects or other reproductive harm. For more information go to [www.P65Warnings.ca.gov](http://www.P65Warnings.ca.gov).

LIT-JV-C 082018

# Brass Ball Valve

**2 Piece • Full Port • Threaded Connection • 600 WOG • with Side Tap**



**T-100STN**

CRN# 0C16887.5469870YTN

### Features

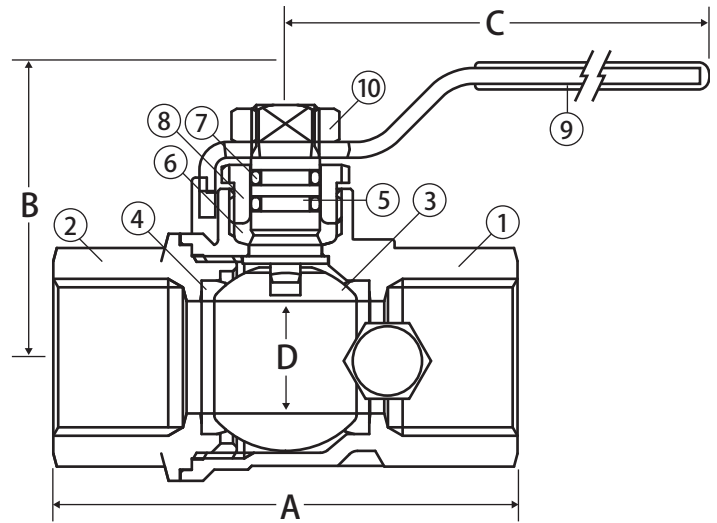
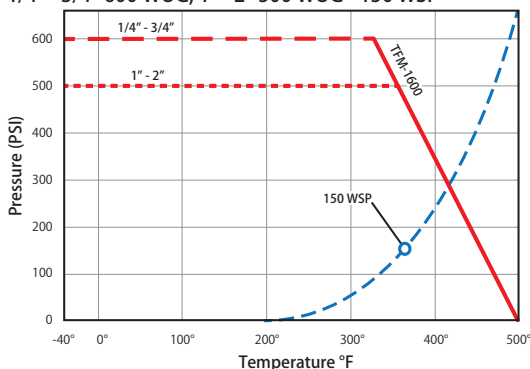
- Blow-out proof stem
- Triple sealing stem with 2 Viton® o-rings and Hostaflo® seal
- 3/8" - 1" have 1/8" FIP side tap
- 1-1/4" - 2" have 1/4" FIP side tap
- 100% leak tested
- 100% Made in Italy
- Leakproof stem - Lifetime Warranty
- 29 in-Hg vacuum rating
- Accessories available

### Approvals

- UL Listed (3/8" - 2")
  - MHKZ - Manual valves
  - YQNZ - Compressed gas shut-off valves
  - YRBX - Flammable liquid shut-off valves
  - YRPV - Gas shut-off valves
  - YSDT - LP gas shut-off valves
  - SFJQ - Valves, refrigerant
- CSA Certified
  - ANSI Z21.15 (.5 PSIG) (3/8" - 2")
  - ASME B16.33 (125 PSIG) (1/2" - 2")
  - CGA 3.16 (125 PSIG) (3/8" - 2")
  - CGA 9.2 (3/8" - 2")
- MSS SP-110
- ANSI B1.20.1

### Valve Seat Rating

1/4" - 3/4" 600 WOG, 1" - 2" 500 WOG - 150 WSP



### Material Specifications

No.	Part	Materials
1	Body	Brass - CW617N
2	End Connection	Brass - CW617N
3	Ball	Chrome Plated Brass - CW617N
4	Seat (2)	Hostaflo® TFM 1600
5	Stem	Brass - CW614N
6	Packing	Hostaflo® TFM 1600
7	Stem O-ring (2)	Viton®
8	Packing Gland	Brass - CW614N
9	Handle	Steel - Geomet® Plated
10	Handle Nut	Steel - Geomet® Plated
11	Flat Washer*	Buna-N
12	Cap *	Brass - CW614N

\*Not shown in drawing

### Dimensions

Part No.	Size	A	B	C	D	Cv
170-102	3/8"	2.02	1.41	2.95	0.39	7.77
170-103	1/2"	2.48	1.53	2.95	0.59	16.82
170-104	3/4"	2.76	1.95	3.74	0.79	34.80
170-105	1"	2.81	2.40	4.75	0.97	52.20
170-106	1-1/4"	4.03	2.59	4.75	1.23	112.52
170-107	1-1/2"	4.72	3.22	6.00	1.49	174.00
170-108	2"	5.23	3.40	6.00	1.99	255.20



**WARNING:** This product can expose you to chemicals including lead, which is known to the State of California to cause cancer, and lead, which is known to the State of California to cause birth defects or other reproductive harm. For more information go to [www.P65Warnings.ca.gov](http://www.P65Warnings.ca.gov).

# Brass Ball Valve

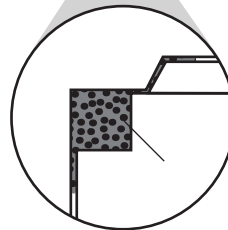
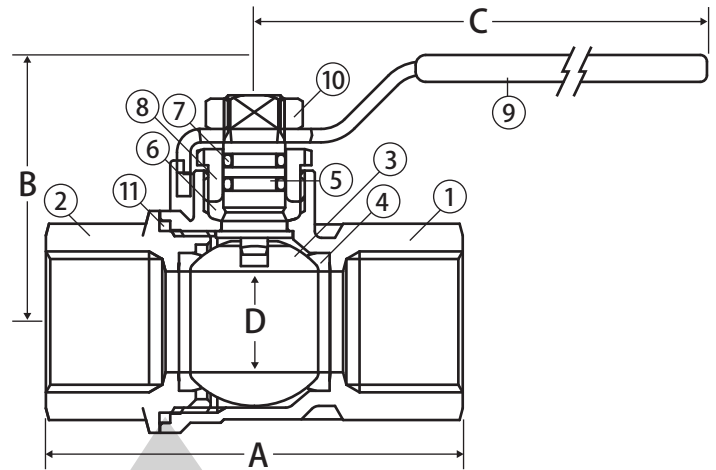


2 Piece • Full Port • Threaded Connection • 600 WOG •  
with Steam Trim



T-100SSS

CRN# 0C16887.5469870YTN



Brazed Body Connection

## Features

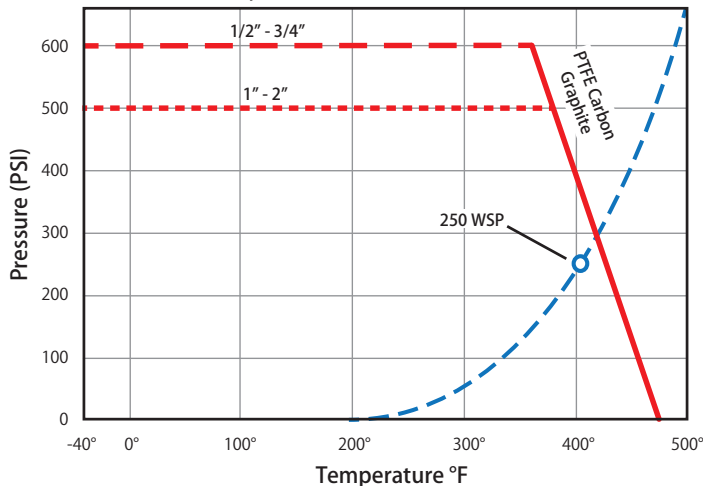
- Blow-out proof stem
- Triple sealing stem with 2 Viton® o-rings and Teflon® seal
- 250 WSP rating
- Patent pending design
- Special high temperature resistant handle
- 100% leak tested
- 100% Made in Italy
- Leakproof stem - Lifetime Warranty
- 29 in-Hg vacuum rating
- Accessories available

## Approvals

- MSS SP-110
- ANSI B1.20.1

## Valve Seat Rating

1/2" - 3/4" 600 WOG, 1" - 2" 500 WOG - 250 WSP



## Material Specifications

No.	Part	Materials
1	Body	Brass - CW617N
2	End Connection	Brass - CW617N
3	Ball	316 Stainless Steel
4	Seat (2)	PTFE Carbon Graphite
5	Stem	316 Stainless Steel
6	Packing	PTFE Carbon Graphite
7	Stem O-ring (2)	Viton®
8	Packing Gland	Brass - CW614N
9	Handle	Steel - Red Coated
10	Handle Nut	316 Stainless Steel
11	Brazing Ring	BrazeTec Soldamoll

## Dimensions

Part No.	Size	A	B	C	D	Cv
100-531	1/4"	1.86	1.41	2.95	0.39	7.66
100-533	1/2"	2.45	1.53	2.95	0.59	16.82
100-534	3/4"	2.71	1.95	3.74	0.79	34.80
100-535	1"	3.30	2.40	4.75	0.97	52.20
100-536	1-1/4"	3.80	2.59	4.75	1.23	112.52
100-537	1-1/2"	4.16	3.22	6.00	1.49	174.00
100-538	2"	5.00	3.40	6.00	1.99	255.20

**WARNING:** This product can expose you to chemicals including lead, which is known to the State of California to cause cancer, and lead, which is known to the State of California to cause birth defects or other reproductive harm. For more information go to [www.P65Warnings.ca.gov](http://www.P65Warnings.ca.gov).

LT-JV-C 082018



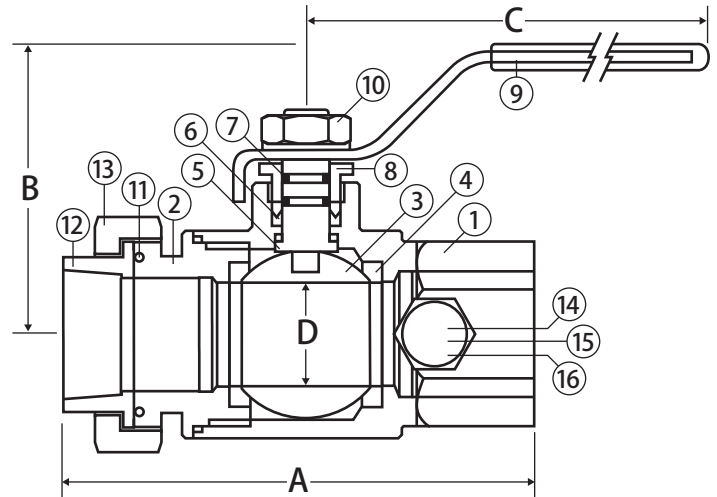
# Brass Ball Valve

**2 Piece • Full Port • Single Union End • Threaded Connection •  
600 WOG • with Side Tap**



**T-100-UE**

CRN# 0C16887.5469870YTN



## Features

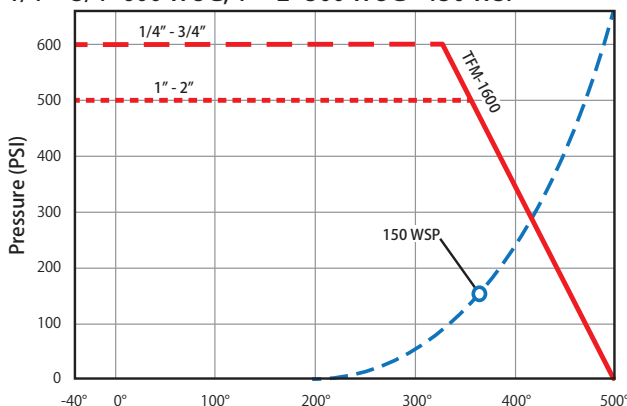
- Triple sealing stem with 2 Viton® o-rings and Hostaflo® seal
- Blow-out proof stem
- FIP x union FIP
- 3/8" - 1" have 1/8" FIP side tap
- 1-1/4" - 2" have 1/4" FIP side tap
- 100% leak tested
- 100% Made in Italy
- Leakproof stem - Lifetime Warranty
- 29 in-Hg vacuum rating
- Accessories available

## Approvals

- CSA Certified
  - ANSI Z21.15 (.5 PSIG) (3/8" - 2")
  - ASME B16.33 (125 PSIG) (1/2" - 2")
  - CGA 3.16 (125 PSIG) (3/8" - 2")
  - CGA 9.2 (3/8" - 2")
- MSS SP-110
- ANSI B1.20.1

## Valve Seat Rating

1/4" - 3/4" 600 WOG, 1" - 2" 500 WOG - 150 WSP



## Material Specifications

No.	Part	Materials
1	Body	Brass - CW617N
2	End Connection	Brass - CW617N
3	Ball	Chrome Plated Brass - CW617N
4	Seat (2)	Hostaflo® TFM 1600
5	Stem	Brass - CW614N
6	Packing	Hostaflo® TFM 1600
7	Stem O-ring (2)	Viton®
8	Packing Gland	Brass - CW614N
9	Handle	Steel - Geomet® Plated
10	Handle Nut	Steel - Geomet® Plated
11	Union O-ring	Viton®
12	Tail Piece	Brass - CW617N
13	Union Nut	Brass - CW617N
14	Side Tap Plug	Brass - CW614N
15	Side Tap Washer	Buna-N
16	Side Tap Cap	Brass - CW614N

## Dimensions

Part No.	Size	A	B	C	D	Cv
160-103	1/2"	3.17	1.53	2.95	0.59	16.82
160-104	3/4"	3.52	1.88	3.74	0.79	34.80
160-105	1"	4.19	2.36	4.75	0.97	52.20
160-106	1-1/4"	5.01	2.59	4.75	1.23	112.52
160-107	1-1/2"	5.57	3.22	6.00	1.49	174.00
160-108	2"	6.31	3.50	6.00	1.99	255.20

**WARNING:** This product can expose you to chemicals including lead, which is known to the State of California to cause cancer, and lead, which is known to the State of California to cause birth defects or other reproductive harm. For more information go to [www.P65Warnings.ca.gov](http://www.P65Warnings.ca.gov).

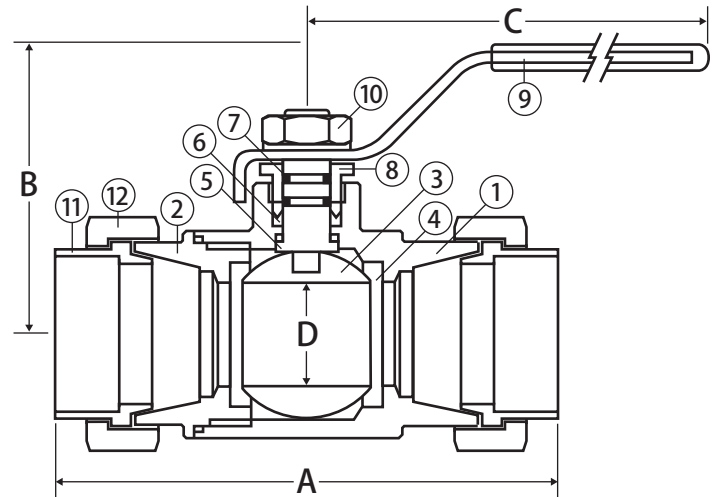
# Brass Ball Valve



**2 Piece • Full Port • Double Union End • Solder Connection •  
400 WOG**



**S-100-DUE**



## Features

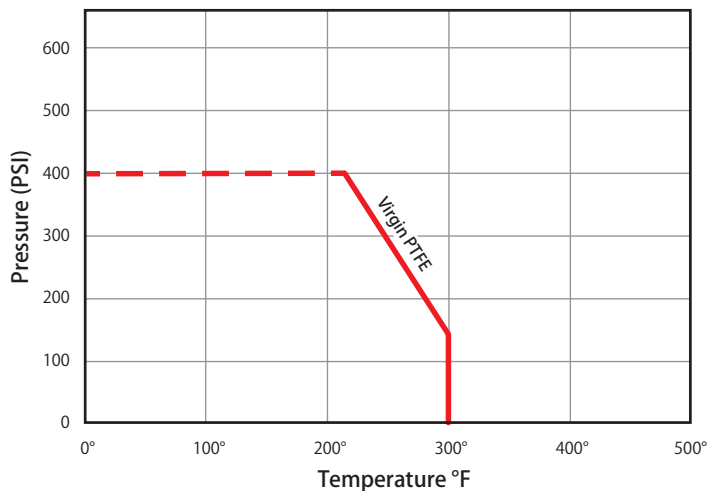
- Triple sealing stem with 2 Viton® o-rings and Teflon® seal
- Blow-out proof stem
- Unions on inlet and outlet
- Corrosion resistant brass
- 100% leak tested
- 100% Made in Italy
- Leakproof stem - Lifetime Warranty
- Accessories available

## Approvals

- MSS SP-110
- ASME/ANSI B16.18

## Valve Seat Rating

400 WOG



## Material Specifications

No.	Part	Materials
1	Body	Brass - CW602N
2	End Connection	Brass - CW602N
3	Ball	Chrome Plated Brass - CW617N
4	Seat (2)	Virgin PTFE
5	Stem	Brass - CW602N
6	Packing	Virgin PTFE
7	Stem O-ring (2)	Viton®
8	Packing Gland	Brass - CW602N
9	Handle	Steel - Geomet® Plated
10	Handle Nut	Steel - Geomet® Plated
11	Tail Piece (2)	Brass - CW602N
12	Union Nut (2)	Brass - CW602N

## Dimensions

Part No.	Size	A	B	C	D	Cv
160-503	1/2"	3.58	1.53	2.95	0.59	16.82
160-504	3/4"	3.93	1.92	3.74	0.79	34.80
160-505	1"	4.72	2.40	4.75	0.97	52.20
160-506	1-1/4"	5.27	2.60	4.75	1.23	112.52
160-507	1-1/2"	5.74	3.22	6.00	1.49	174.00
160-508	2"	6.33	3.50	6.00	1.99	255.20

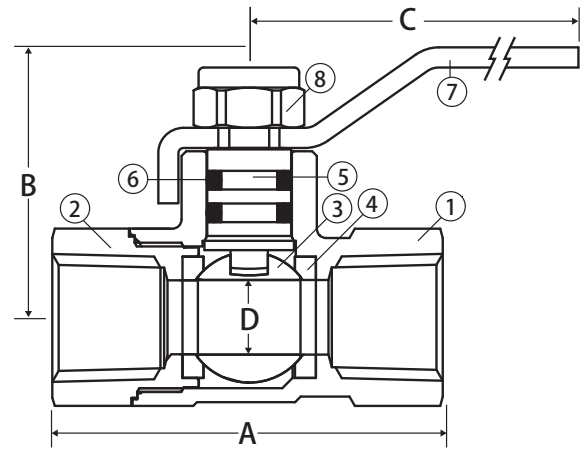
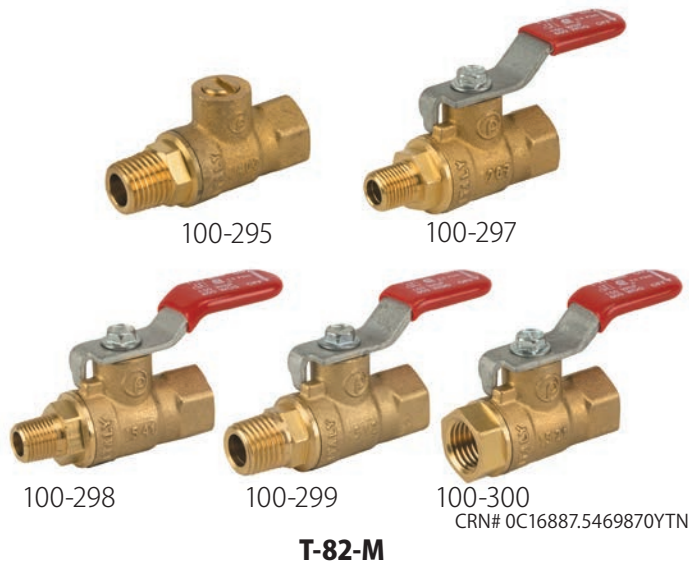


**WARNING:** This product can expose you to chemicals including lead, which is known to the State of California to cause cancer, and lead, which is known to the State of California to cause birth defects or other reproductive harm. For more information go to [www.P65Warnings.ca.gov](http://www.P65Warnings.ca.gov).

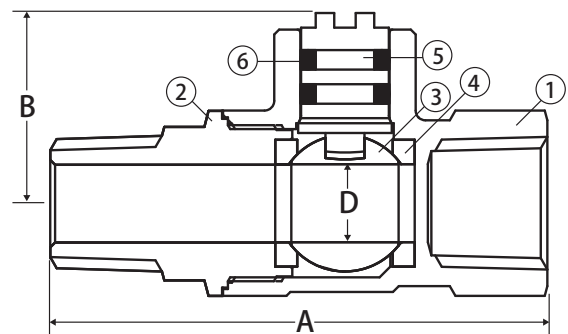
LT-JV-C 082018

# Brass Ball Valve

2 Piece • Full Port • Threaded Connection • Mini Valves •  
600 WOG



Lever Handle



Screwdriver slot

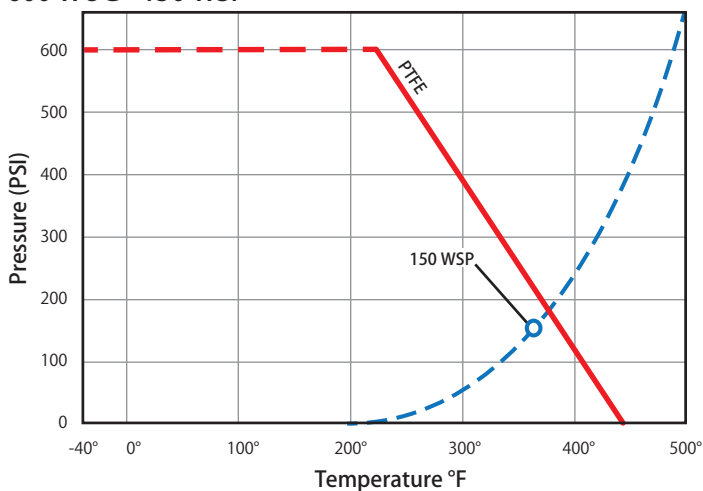
## Features

- Blow-out proof stem
- 2 Viton® o-rings
- Greater flow rate
- Large raised wrench flats
- 100% leak tested
- 100% Made in Italy
- Leakproof stem - Lifetime Warranty

## Approvals

- CSA Certified
  - ANSI Z21.15 (.5 PSIG) (1/4" - 2")
- MSS SP-110
- ANSI B1.20.1

## Valve Seat Rating 600 WOG - 150 WSP



## Material Specifications

No.	Part	Materials
1	Body	Brass - CW617N
2	End Connection	Brass - CW617N
3	Ball	Chrome Plated Brass - CW617N
4	Seat (2)	PTFE
5	Stem	Brass - CW614N
6	Stem O-ring (2)	Viton®
7	Handle*	Steel - Geomet® Plated
8	Handle screw*	Steel - Geomet® Plated

\* Lever Handle Only

## Dimensions

Part No.	Size	A	B	C	D
100-295	1/4" FIP x 1/4" MIP*	2.01	0.77	-	0.31
100-297	1/8" FIP x 1/8" MIP	1.96	1.14	1.69	0.31
100-298	1/4" FIP x 1/8" MIP	1.96	1.14	1.69	0.31
100-299	1/4" FIP x 1/4" MIP	2.01	1.14	1.69	0.31
100-300	1/4" FIP x 1/4" FIP	1.65	1.14	1.69	0.31

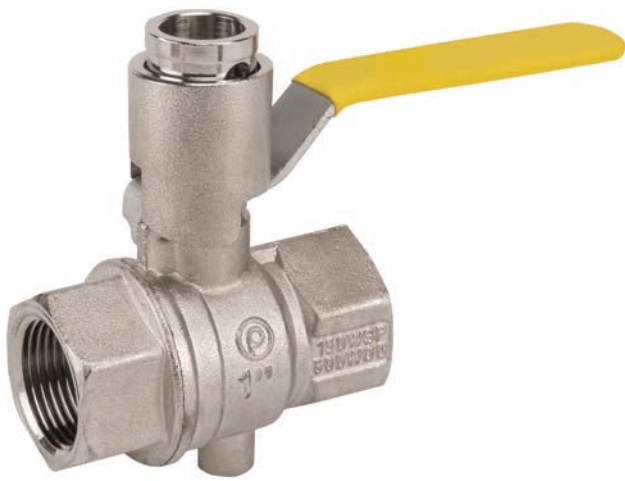
\* Mini screwdriver slot handle

**WARNING:** This product can expose you to chemicals including lead, which is known to the State of California to cause cancer, and lead, which is known to the State of California to cause birth defects or other reproductive harm. For more information go to [www.P65Warnings.ca.gov](http://www.P65Warnings.ca.gov).

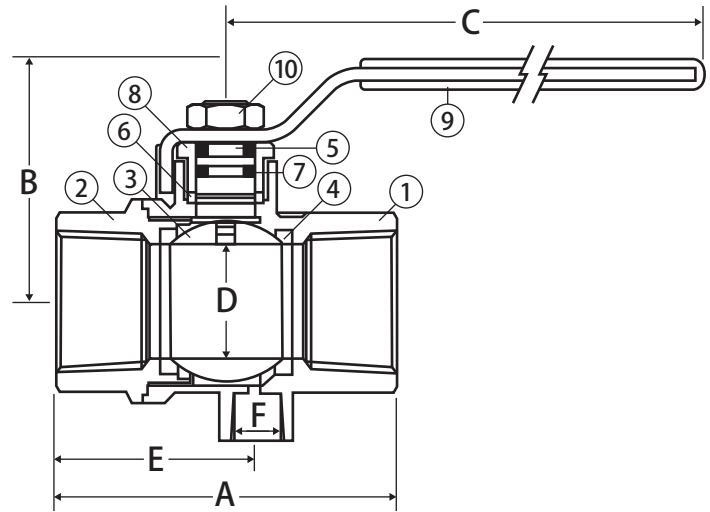
# Brass Ball Valve



**2 Piece • Full Port • Threaded Connection • 600 WOG •  
with Automatic Vent**



**T-100P-SS-WS**



## Features

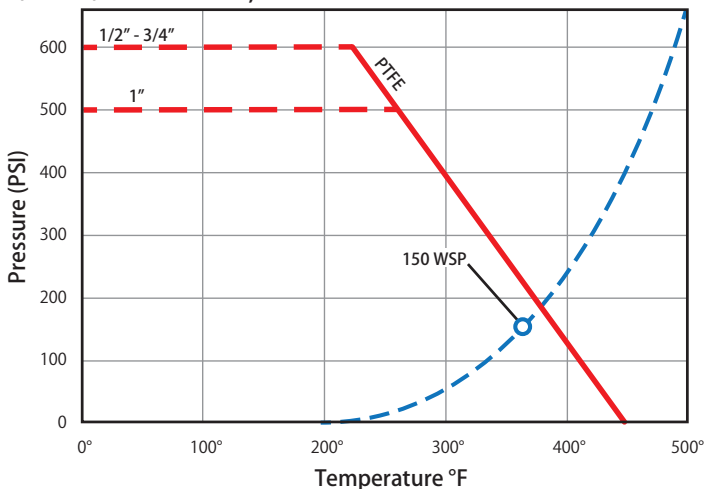
- Quiet operation
- Raised boss to accept NPT threaded muffler
- Muffler available cone or flat
- Automatic downstream venting in closed position
- Reduces compressed air noise to OSHA levels
- Triple sealing stem with 2 Viton® o-rings and Hostaflo® seal
- 100% leak tested
- 100% Made in Italy
- Accessories available

## Approvals

- Meets/exceeds OSHA 1910.95 for noise attenuation and air dispersal
- MSS SP-110
- ANSI B1.20.1

## Valve Seat Rating

1/2" - 3/4" 600 WOG, 1" 500 WOG - 150 WSP



## Material Specifications

No.	Part	Materials
1	Body	T.E.A. Coated Brass - CW617N
2	End Connection	T.E.A. Coated Brass - CW617N
3	Ball	316 Stainless Steel
4	Seat (2)	Hostaflo® TFM 1600
5	Stem	316 Stainless Steel
6	Packing	Hostaflo® TFM 1600
7	Stem O-ring (2)	Viton®
8	Packing Gland	Nickel Plated Brass - CW614N
9	Handle	Steel - Geomet® Plated
10	Handle Nut	Steel - Geomet® Plated

## Dimensions

Part No.	Size	A	B	C	D	E	F
100-924	3/4"	2.71	1.88	3.74	0.79	1.36	0.125
100-925	1"	3.30	2.36	4.72	1.00	1.65	0.125



**WARNING:** This product can expose you to chemicals including lead, which is known to the State of California to cause cancer, and lead, which is known to the State of California to cause birth defects or other reproductive harm. For more information go to [www.P65Warnings.ca.gov](http://www.P65Warnings.ca.gov).

LT-JV-C 082018

# Filterball

**Full Port • Threaded Connections • 400 WOG •  
with Integrated Strainer**



**T-100FB**

### Features

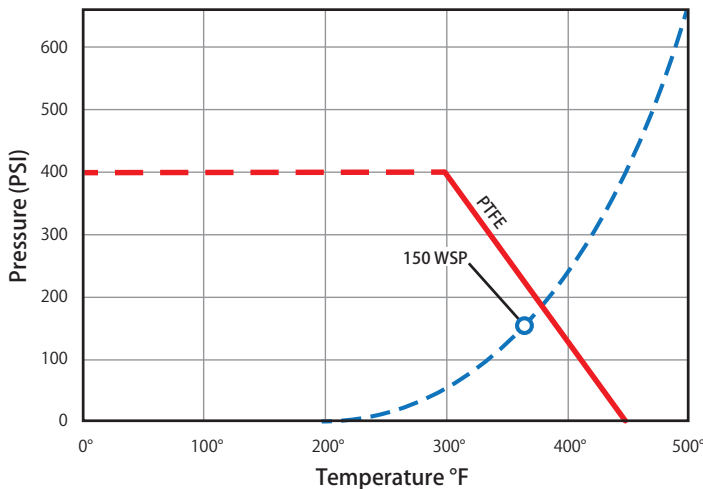
- Blow-out proof stem
- Triple sealing stem with 2 Viton® o-rings and Teflon® seal
- Shipped standard with 304 SS 20 mesh screen
  - Available mesh screens: 40, 60, 80, 100
- Corrosion resistant brass
- Reversible handle
- 100% leak tested
- 100% Made in Italy
- Leakproof stem - Lifetime Warranty
- Accessories available

### Approvals

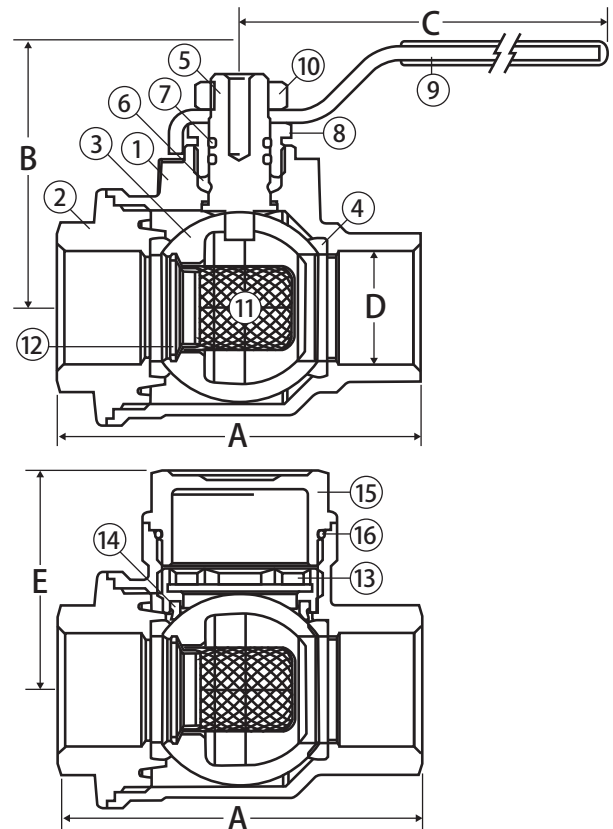
- ANSI B1.20.1

### Valve Seat Rating

400 WOG - 150 WSP



**WARNING:** This product can expose you to chemicals including lead, which is known to the State of California to cause cancer, and lead, which is known to the State of California to cause birth defects or other reproductive harm. For more information go to [www.P65Warnings.ca.gov](http://www.P65Warnings.ca.gov).



### Material Specifications

No.	Part	Materials
1	Body	Brass - CW602N
2	End Connection	Brass - CW602N
3	Ball	Chrome Plated Brass - CW602N
4	Seat (2)	Virgin PTFE
5	Stem	Brass - CW602N
6	Packing	Virgin PTFE
7	Stem O-ring (2)	Viton®
8	Packing Gland	Brass - CW614N
9	Handle	Steel - Geomet® Plated
10	Handle Nut	Steel - Geomet® Plated
11	Filter Basket	304 Stainless Steel
12	C-Clip Retainer	304 Stainless Steel
13	Body insert*	Brass - CW602N
14	Auxiliary Seat*	Virgin PTFE
15	Cap	Brass - CW602N
16	O-ring	Viton®

\*Not on 1/2" valve

### Dimensions

Part No.	Size	A	B	C	D	E	Cv
100-833	1/2"	2.73	2.20	3.74	0.69	1.47	8.60
100-834	3/4"	3.03	2.40	4.72	0.89	1.73	7.00
100-835	1"	3.74	2.60	4.72	1.12	2.01	17.7
100-836	1-1/4"	4.73	3.23	5.91	1.40	2.36	24.4
100-837	1-1/2"	5.00	3.50	5.91	1.77	2.91	38.3
100-838	2"	6.06	4.72	7.87	2.20	3.54	74.2

# Brass Ball Valve



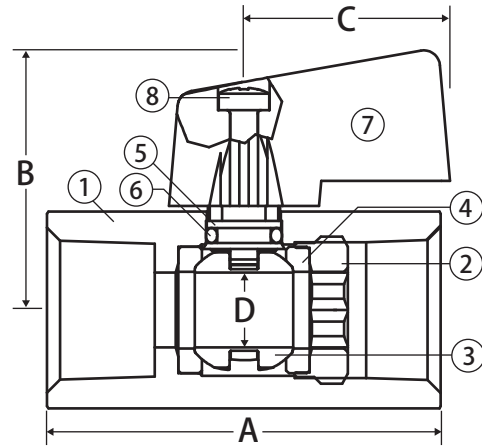
1 Piece • Standard Port • Threaded Connection • Mini Valves  
450 WOG



FIP x FIP



MIP x FIP  
**T-84-M**



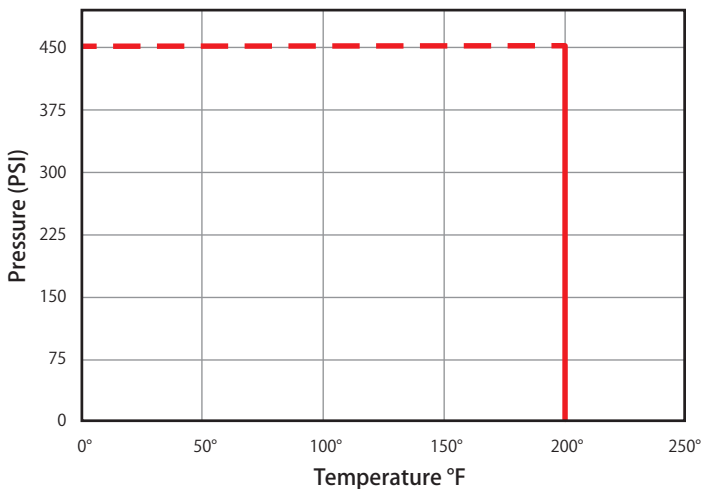
## Features

- Blow-out proof stem
- Single o-ring stem design
- Chrome plated brass
- 100% leak tested
- 100% Made in Italy

## Approvals

- MSS SP-110
- ANSI B1.20.1

## Valve Seat Rating 450 WOG



## Material Specifications

No.	Part	Materials
1	Body	Chrome Plated Brass - CW614N
2	Body Inset	Brass - CW614N
3	Ball	Nickel Plated Brass - CW614N
4	Seat (2)	PTFE
5	Stem	Brass - CW614N
6	Stem O-Ring	Buna-N
7	Handle	Nylon 66 - 30% Glass Filled
8	Handle screw	Steel

## Dimensions

Part No.	Size	Dimensions			
		A	B	C	D
<b>FIP x FIP</b>					
100-430	1/8"	1.54	1.05	0.86	0.31
100-431	1/4"	1.70	1.05	0.86	0.31
100-432	3/8"	1.70	1.07	0.86	0.31
100-433	1/2"	2.09	1.16	0.86	0.39
<b>MIP x FIP</b>					
100-440	1/8"	1.54	1.05	0.86	0.31
100-441	1/4"	1.70	1.05	0.86	0.31
100-442	3/8"	1.70	1.07	0.86	0.31
100-443	1/2"	2.09	1.16	0.86	0.39
<b>Extended Handle</b>					
100-460	1/8"	1.54	1.05	2.28	0.31
100-461	1/4"	1.70	1.05	2.28	0.31
100-462	3/8"	1.70	1.07	2.28	0.31
100-463	1/2"	2.09	1.16	2.28	0.39

LT-JV-C 082018



**WARNING:** This product can expose you to chemicals including lead, which is known to the State of California to cause cancer, and lead, which is known to the State of California to cause birth defects or other reproductive harm. For more information go to [www.P65Warnings.ca.gov](http://www.P65Warnings.ca.gov).

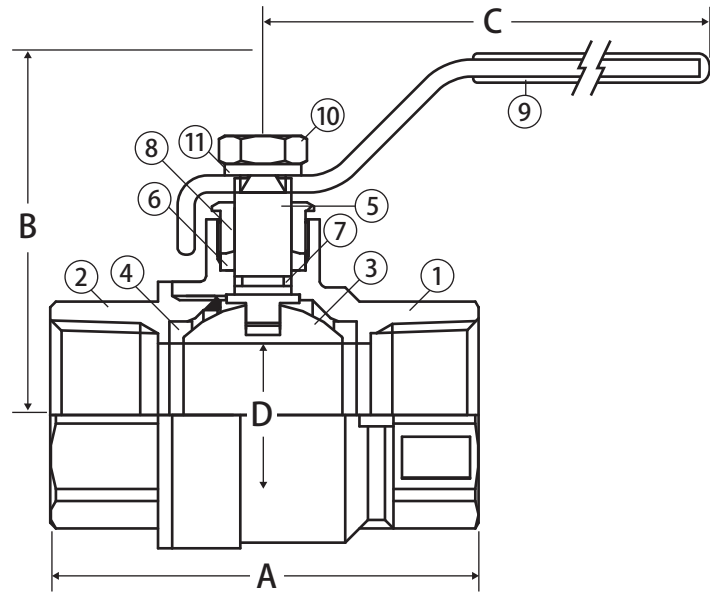
# Brass Ball Valve

2 Piece • Full Port • Threaded Connection • 600 WOG



JF-100T

CRN# OC16654.5



### Features

- Gland follower and single o-ring stem design
- Blow-out proof stem
- 100% leak tested

### Approvals



- UL Listed up to 175 PSI (1/4" - 2")
  - MHKZ - Manual valves
  - YRPV - Gas shut-off valves
- CSA Certified
  - CGA 3.16 (125 PSIG)
  - ANSI Z21.15 (.5 PSIG)
  - CGA CR91 (5 PSIG)
  - ASME B16.44 (5 PSIG)
  - ASME B16.33 (125 PSIG) (1/2" - 2")
  - ASME B16.38 (125 PSIG) (2-1/2" - 4")
- FM Approval (1/4" - 2")
- MSS SP-110
- ANSI B1.20.1

### Material Specifications

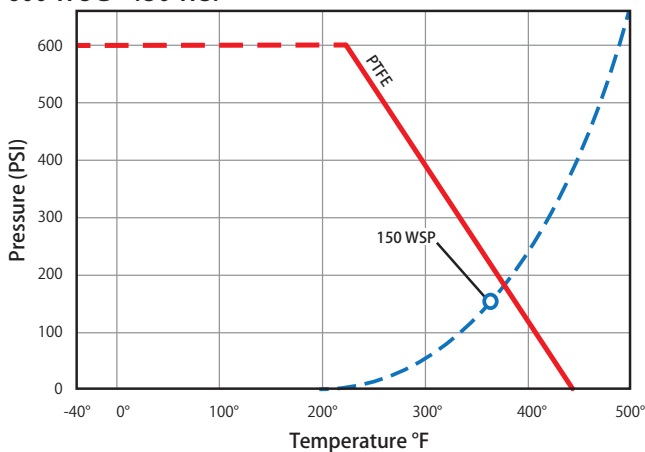
No.	Part	Materials
1	Body	Brass - C37700
2	End Connection	Brass - C37700
3	Ball	Chrome Plated Brass - C37700
4	Seat (2)	PTFE
5	Stem*	Brass - C37700
6	Packing	PTFE
7	Stem O-ring	Buna-N
8	Packing Gland	Brass - C37700
9	Handle	Steel - Chrome Plated
10	Handle Nut	Steel - Chrome Plated
11	Lock Washer	Steel - Chrome Plated

\* 3" and 4" have 304 stainless steel stem

### Dimensions

Part No.	Size	A	B	C	D
100-101	1/4"	1.73	1.69	3.35	0.39
100-102	3/8"	1.73	1.69	3.35	0.39
100-103	1/2"	2.28	1.81	3.35	0.59
100-104	3/4"	2.52	2.36	4.29	0.75
100-105	1"	2.97	2.52	4.29	0.98
100-106	1-1/4"	3.44	2.52	5.63	1.26
100-107	1-1/2"	3.88	2.72	5.63	1.57
100-108	2"	4.29	3.03	5.63	1.97
100-109	2-1/2"	5.59	4.25	7.76	2.52
100-110	3"	6.34	4.92	8.37	2.95
100-111	4"	7.83	5.85	9.25	3.90

### Valve Seat Rating 600 WOG - 150 WSP



**WARNING:** This product can expose you to chemicals including lead, which is known to the State of California to cause cancer, and lead, which is known to the State of California to cause birth defects or other reproductive harm. For more information go to [www.P65Warnings.ca.gov](http://www.P65Warnings.ca.gov).

# Brass Ball Valve

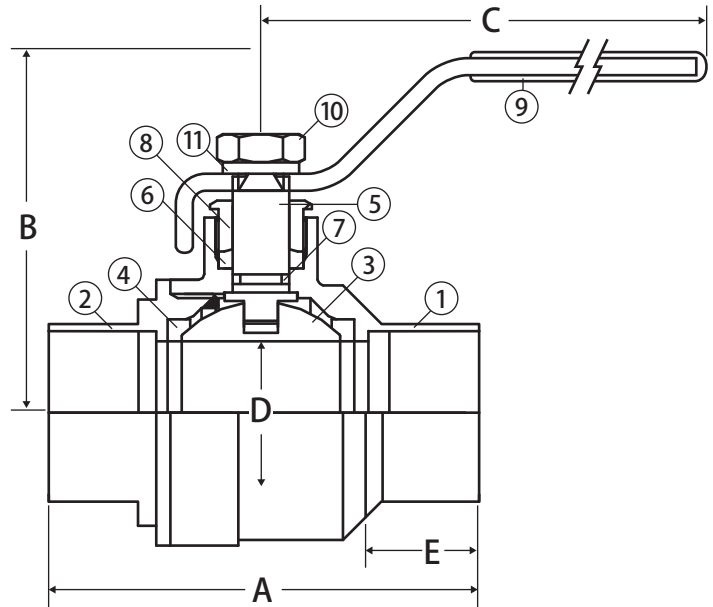


2 Piece • Full Port • Solder Connection • 600 WOG



JF-100S

CRN# OC16654.5



## Features

- Gland follower and single o-ring stem design
- Blow-out proof stem
- 100% leak tested

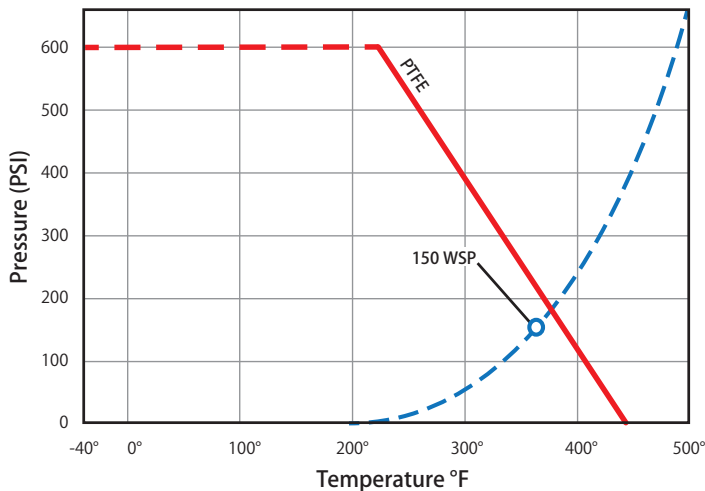
## Approvals



- UL Listed up to 175 PSI (1/2" - 2")
  - MHKZ - Manual valves
  - YRPV - Gas shut-off valves
- FM Approval (1/2" - 1-1/2" 600 WOG, 2" 500 WOG)
- MSS SP-110
- ASME/ANSI B16.18

## Valve Seat Rating

600 WOG - 150 WSP



## Material Specifications

No.	Part	Materials
1	Body	Brass - C37700
2	End Connection	Brass - C37700
3	Ball	Chrome Plated Brass - C37700
4	Seat (2)	PTFE
5	Stem*	Brass - C37700
6	Packing	PTFE
7	Stem O-ring	Buna-N
8	Packing Gland	Brass - C37700
9	Handle	Steel - Chrome Plated
10	Handle Nut	Steel - Chrome Plated
11	Lock Washer	Steel - Chrome Plated

\* 3" and 4" have 304 stainless steel stem

## Dimensions

Part No.	Size	A	B	C	D	E
100-113	1/2"	2.17	1.81	3.35	0.59	0.50
100-114	3/4"	2.80	2.36	4.29	0.75	0.75
100-115	1"	3.27	2.52	4.29	0.98	0.86
100-116	1-1/4"	4.10	2.52	5.63	1.26	1.08
100-117	1-1/2"	4.33	2.72	5.63	1.57	0.98
100-118	2"	5.34	3.03	5.63	1.97	1.21
100-119	2-1/2"	6.39	4.25	7.76	2.52	1.48
100-120	3"	7.10	4.92	8.37	2.95	1.66
100-121	4"	9.56	5.85	9.25	3.90	2.22

LIT-JV-C 082018



**WARNING:** This product can expose you to chemicals including lead, which is known to the State of California to cause cancer, and lead, which is known to the State of California to cause birth defects or other reproductive harm. For more information go to [www.P65Warnings.ca.gov](http://www.P65Warnings.ca.gov).



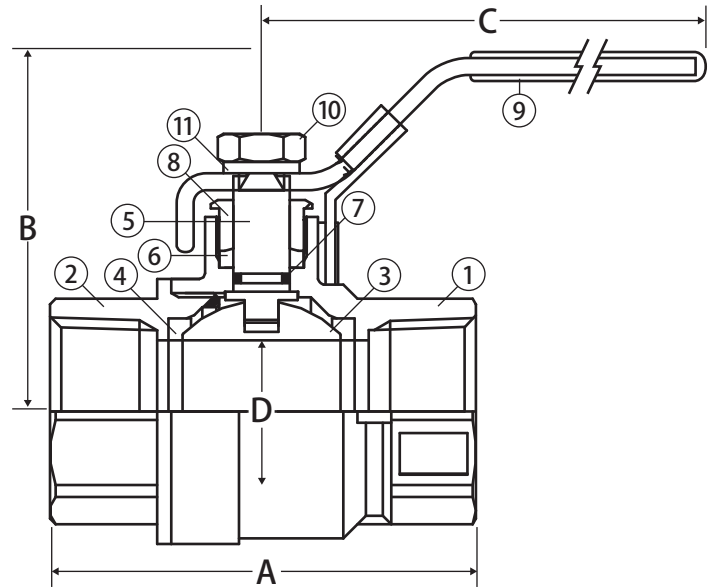
# Brass Ball Valve

2 Piece • Full Port • Threaded Connection • 600 WOG •  
with Latch Lock Handle



JF-100T-LH

CRN# OC16654.5



## Features

- Gland follower and single o-ring stem design
- Blow-out proof stem
- Latch lock handle
- 100% leak tested

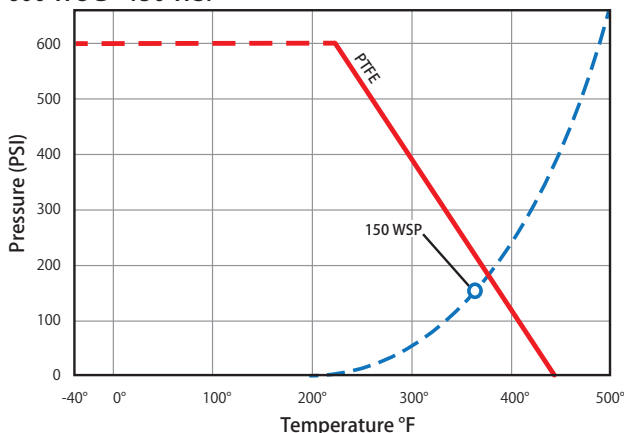
## Approvals



- UL Listed up to 175 PSI (1/4" - 2")
  - MHKZ - Manual valves
  - YRPV - Gas shut-off valves
- CSA Certified
  - CGA 3.16 (125 PSIG)
  - ANSI Z21.15 (.5 PSIG)
  - CGA CR91 (5 PSIG)
  - ASME B16.44 (5 PSIG)
  - ASME B16.33 (1/2" - 2")
  - ASME B16.38 (2-1/2" - 3")
- FM Approval (1/4" - 2")
- MSS SP-110
- ANSI B1.20.1

## Valve Seat Rating

600 WOG - 150 WSP



## Material Specifications

No.	Part	Materials
1	Body	Brass - C37700
2	End Connection	Brass - C37700
3	Ball	Chrome Plated Brass - C37700
4	Seat (2)	PTFE
5	Stem	Brass - C37700
6	Packing	PTFE
7	Stem O-ring	Buna-N
8	Packing Gland	Brass - C37700
9	Handle	Steel - Chrome Plated
10	Handle Nut	Steel - Chrome Plated
11	Lock Washer	Steel - Chrome Plated

## Dimensions

Part No.	Size	A	B	C	D
100-101LH	1/4"	1.73	2.63	4.49	0.39
100-102LH	3/8"	1.73	2.63	4.49	0.39
100-103LH	1/2"	2.28	2.69	4.49	0.59
100-104LH	3/4"	2.52	2.91	4.86	0.75
100-105LH	1"	2.97	3.22	4.86	0.98
100-106LH	1-1/4"	3.44	3.45	5.59	1.26
100-107LH	1-1/2"	3.88	3.59	5.59	1.57
100-108LH	2"	4.29	3.97	5.59	1.97
100-109LH	2-1/2"	5.59	4.88	7.35	2.52
100-110LH	3"	6.34	5.25	7.35	2.95



**WARNING:** This product can expose you to chemicals including lead, which is known to the State of California to cause cancer, and lead, which is known to the State of California to cause birth defects or other reproductive harm. For more information go to [www.P65Warnings.ca.gov](http://www.P65Warnings.ca.gov).

# Brass Ball Valve

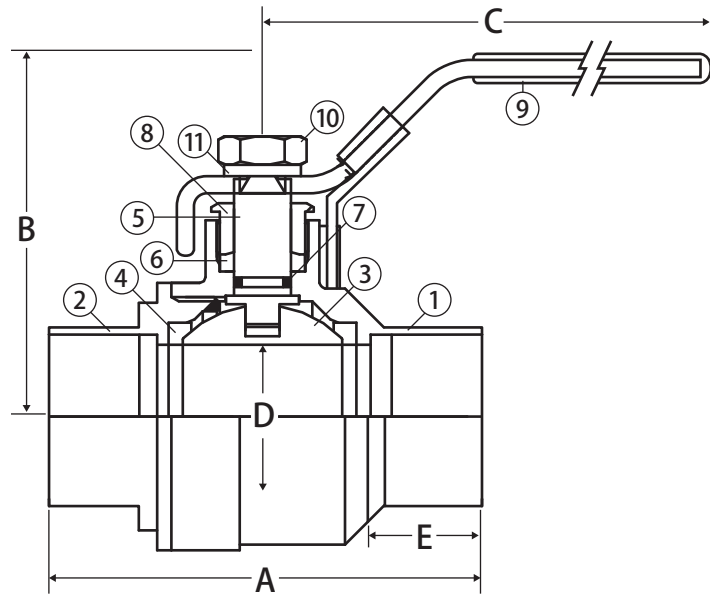


**2 Piece • Full Port • Solder Connection • 600 WOG •  
with Latch Lock Handle**



**JF-100S-LH**

CRN# OC16654.5



## Features

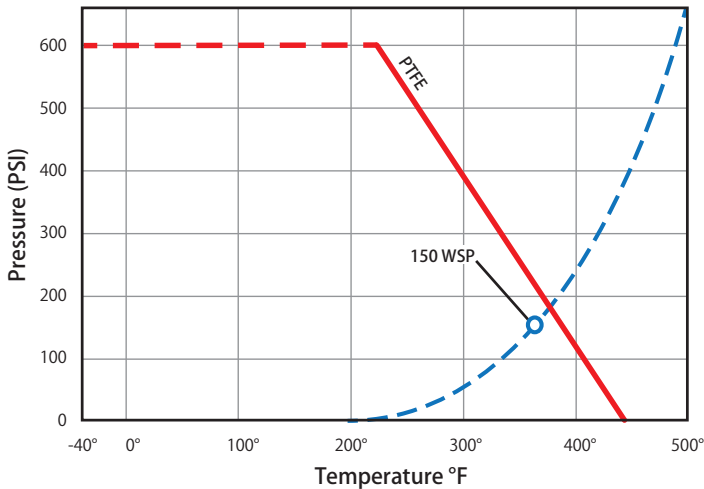
- Gland follower and single o-ring stem design
- Blow-out proof stem
- Latch lock handle
- 100% leak tested

## Approvals

- UL Listed up to 175 PSI (1/2" - 2")
  - MHKZ - Manual valves
  - YRPV - Gas shut-off valves
- MSS SP-110
- ASME/ANSI B16.18

## Valve Seat Rating

600 WOG - 150 WSP



## Material Specifications

No.	Part	Materials
1	Body	Brass - C37700
2	End Connection	Brass - C37700
3	Ball	Chrome Plated Brass - C37700
4	Seat (2)	PTFE
5	Stem	Brass - C37700
6	Packing	PTFE
7	Stem O-ring	Buna-N
8	Packing Gland	Brass - C37700
9	Handle	Steel - Chrome Plated
10	Handle Nut	Steel - Chrome Plated
11	Lock Washer	Steel - Chrome Plated

## Dimensions

Part No.	Size	A	B	C	D	E
100-113LH	1/2"	2.17	2.69	4.49	0.59	0.50
100-114LH	3/4"	2.80	2.91	4.86	0.75	0.75
100-115LH	1"	3.27	3.22	4.86	0.98	0.86
100-116LH	1-1/4"	4.10	3.45	5.59	1.26	1.08
100-117LH	1-1/2"	4.33	3.59	5.59	1.57	0.98
100-118LH	2"	5.34	3.97	5.59	1.97	1.21
100-119LH	2-1/2"	6.39	4.88	7.35	2.52	1.48
100-120LH	3"	7.10	5.25	7.35	2.95	1.66



**WARNING:** This product can expose you to chemicals including lead, which is known to the State of California to cause cancer, and lead, which is known to the State of California to cause birth defects or other reproductive harm. For more information go to [www.P65Warnings.ca.gov](http://www.P65Warnings.ca.gov).

LIT-JV-C 082018

# Brass Ball Valve

2 Piece • Full Port • Male x Female Connection • 600 WOG



JF-100TFM

### Features

- Gland follower and single o-ring stem design
- Blow-out proof stem
- 100% leak tested

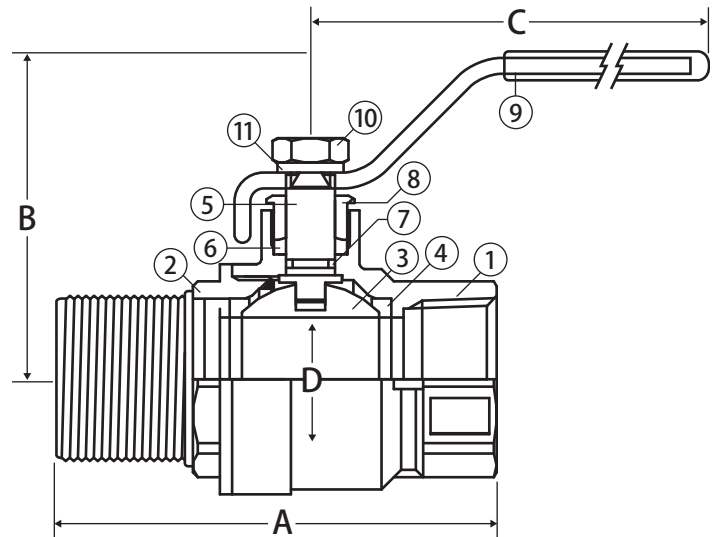
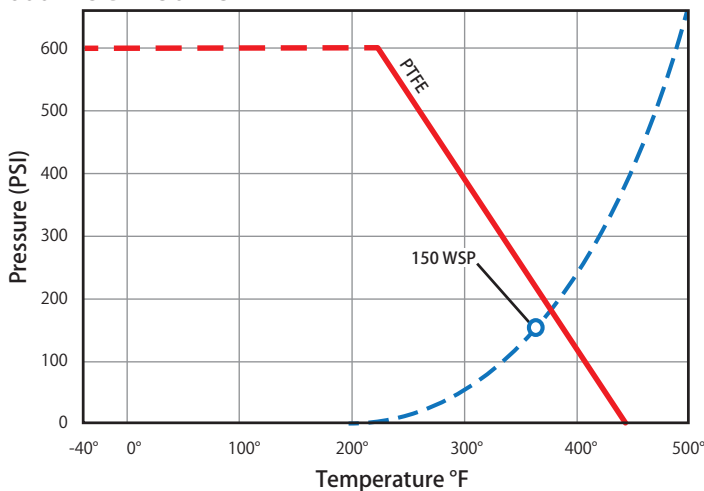
### Approvals



- UL Listed up to 175 PSI
  - MHKZ - Manual valves
  - YRPV - Gas shut-off valves
- MSS SP-110
- ANSI B1.20.1
- FM Approval (1/4" - 2")

### Valve Seat Rating

600 WOG - 150 WSP



### Material Specifications

No.	Part	Materials
1	Body	Brass - C37700
2	End Connection	Brass - C37700
3	Ball	Chrome Plated Brass - C37700
4	Seat (2)	PTFE
5	Stem	Brass - C37700
6	Packing	PTFE
7	Stem O-ring	Buna-N
8	Packing Gland	Brass - C37700
9	Handle	Steel - Chrome Plated
10	Handle Nut	Steel - Chrome Plated
11	Lock Washer	Steel - Chrome Plated

### Dimensions

Part No.	Size	A	B	C	D
100-131	1/4"	2.05	1.69	3.35	0.39
100-132	3/8"	2.05	1.69	3.35	0.39
100-133	1/2"	2.50	1.81	3.35	0.59
100-134	3/4"	2.83	2.36	4.29	0.75
100-135	1"	3.27	2.52	4.29	0.98



**WARNING:** This product can expose you to chemicals including lead, which is known to the State of California to cause cancer, and lead, which is known to the State of California to cause birth defects or other reproductive harm. For more information go to [www.P65Warnings.ca.gov](http://www.P65Warnings.ca.gov).

# Brass Mini Ball Valve



2 Piece • Full Port • Threaded Connection • Mini Valves • 600 WOG



100-397 100-398 100-399 100-400



100-397TH 100-398TH 100-399TH 100-400TH

**T-83C**

## Features

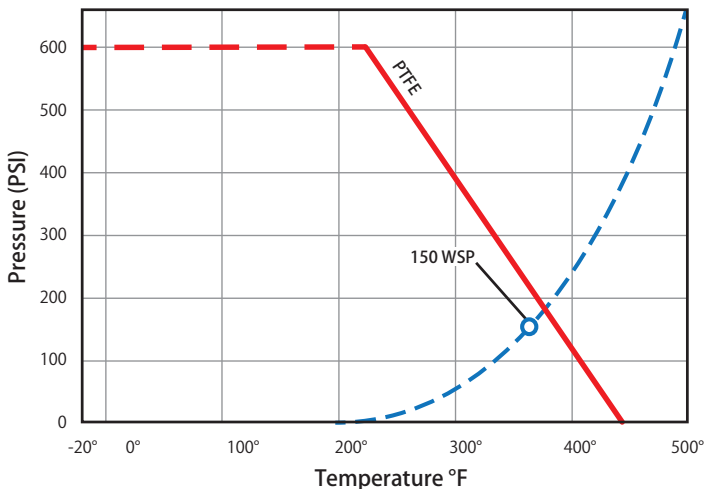
- Large raised wrench flats
- 2 Buna-N o-rings
- 100% leak tested

## Approvals

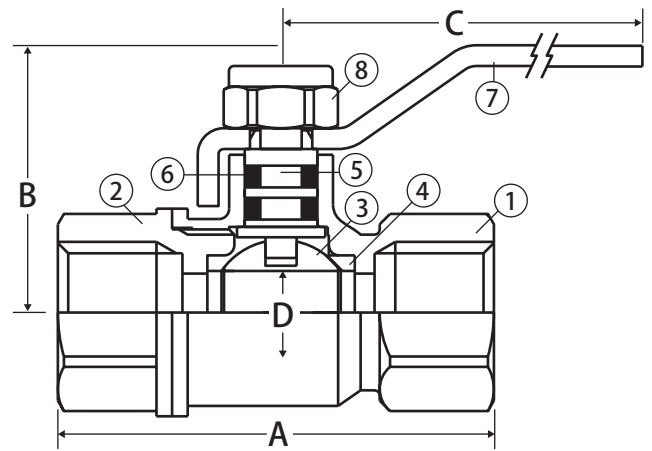
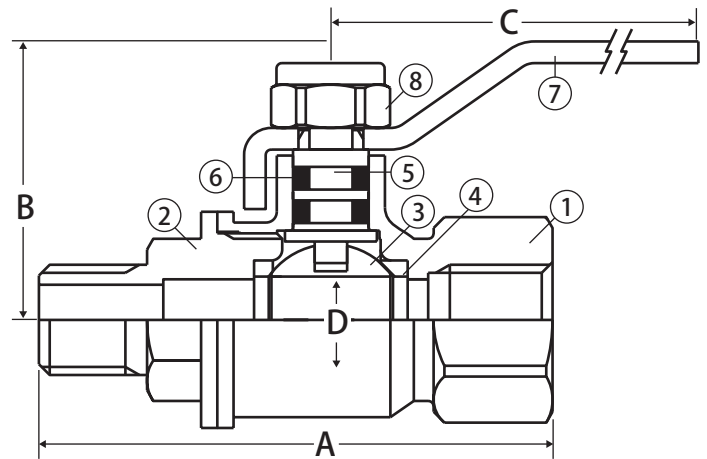
- MSS SP-110
- ANSI B1.20.1

## Valve Seat Rating

600 WOG - 150 WSP



**WARNING:** This product can expose you to chemicals including lead, which is known to the State of California to cause cancer, and lead, which is known to the State of California to cause birth defects or other reproductive harm. For more information go to [www.P65Warnings.ca.gov](http://www.P65Warnings.ca.gov).



## Material Specifications

No.	Part	Materials
1	Body	Brass - C37700
2	End Connection	Brass - C37700
3	Ball	Chrome Plated Brass - C37700
4	Seat (2)	PTFE
5	Stem	Brass - C37700
6	Stem O-ring (2)	Buna-N
7	Handle*	Steel - Chrome Plated or Aluminum
8	Handle Nut / Screw*	Steel - Chrome Plated

\*Material depends on handle selection

## Dimensions

Part No.	Size	A	B	C	D
<b>Lever Handle</b>					
100-397	1/8" FIP x 1/8" MIP	1.90	1.07	1.77	0.28
100-398	1/4" FIP x 1/8" MIP	1.93	1.07	1.77	0.28
100-399	1/4" FIP x 1/4" MIP	2.01	1.07	1.77	0.28
100-400	1/4" FIP x 1/4" FIP	1.65	1.07	1.77	0.28
<b>T-Handle</b>					
100-397TH	1/8" FIP x 1/8" MIP	1.90	1.10	1.33	0.28
100-398TH	1/4" FIP x 1/8" MIP	1.93	1.10	1.33	0.28
100-399TH	1/4" FIP x 1/4" MIP	2.01	1.10	1.33	0.28
100-400TH	1/4" FIP x 1/4" FIP	1.65	1.10	1.33	0.28

LT-JV-C 082018

# Brass Ball Valve

2 Piece • Full Port • Threaded Connection • 600 WOG •  
with Swivel Pump Flange



**JF-100T-FL**

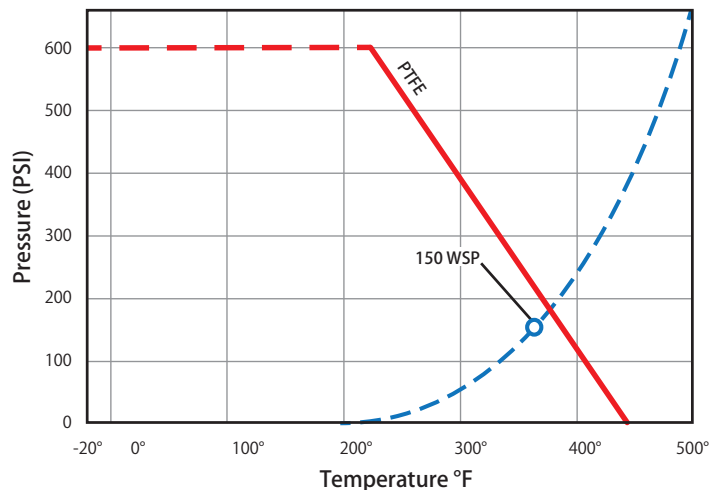
### Features

- For use on flanged end circulation pumps
- Ideal for use on in-floor heating systems
- Swivel flange allows valve to be mounted in any position
- Positional lever handle for easy operation
- 100% leak tested

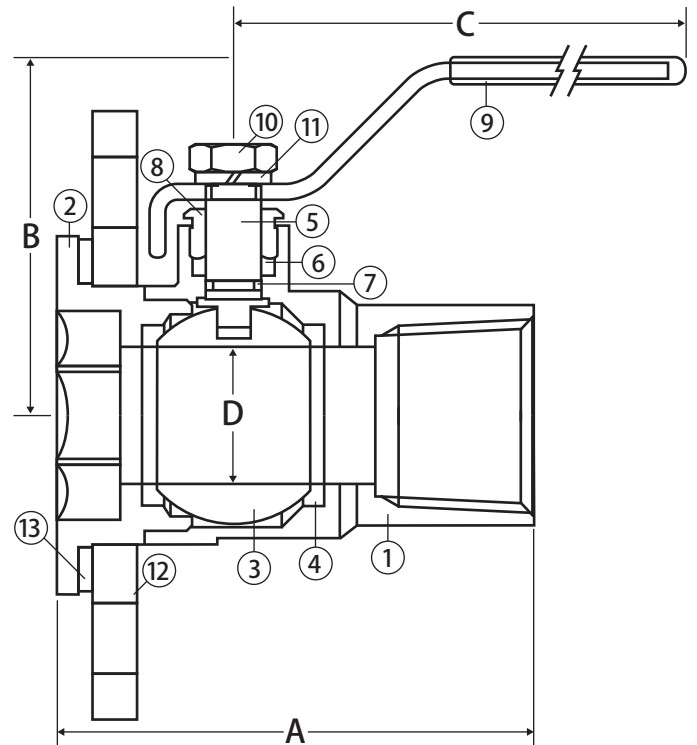
### Approvals

- ANSI B1.20.1

### Valve Seat Rating 600 WOG - 150 WSP



**WARNING:** This product can expose you to chemicals including lead, which is known to the State of California to cause cancer, and lead, which is known to the State of California to cause birth defects or other reproductive harm. For more information go to [www.P65Warnings.ca.gov](http://www.P65Warnings.ca.gov).



### Material Specifications

No.	Part	Materials
1	Body	Brass - C37700
2	End Connection	Brass - C37700
3	Ball	Chrome Plated Brass - C37700
4	Seat (2)	PTFE
5	Stem	Brass - C37700
6	Packing	PTFE
7	Stem O-ring	Buna-N
8	Packing Gland	Brass - C37700
9	Handle	Steel - Chrome Plated
10	Handle Nut	Steel - Chrome Plated
11	Lock Washer	Steel - Chrome Plated
12	Flange	Steel - Chrome Plated
13	Body Gasket	EPDM
14	Mounting Bolt (2)*	Steel - Chrome Plated
15	Mounting Nut (2)*	Steel - Chrome Plated
16	Pump Gasket*	EPDM

\* Not shown in drawing

### Dimensions

Part No.	Size	A	B	C	D
100-103FL	1/2"	2.34	1.48	3.54	0.51
100-104FL	3/4"	2.54	1.94	4.45	0.75
100-105FL	1"	2.75	2.17	4.45	0.98
100-106FL	1-1/4"	3.05	2.51	5.74	1.25

# Brass Ball Valve



**2 Piece • Full Port • Solder Connection • 600 WOG •  
with Swivel Pump Flange**



**JF-100S-FL**

## Features

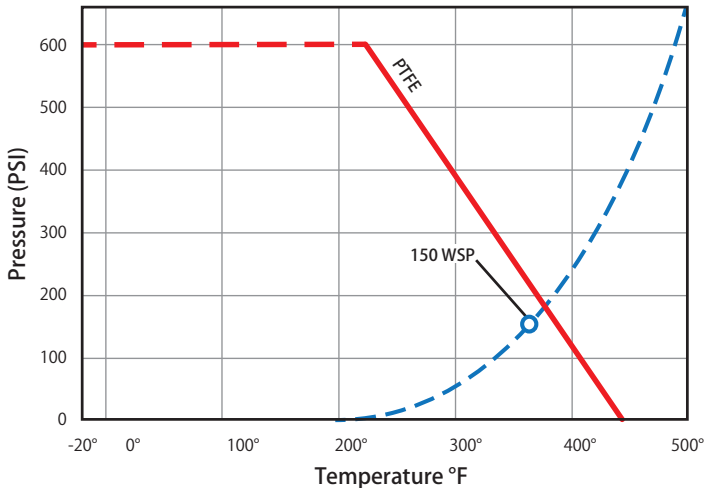
- For use on flanged end circulation pumps
- Ideal for use on in-floor heating systems
- Swivel flange allows valve to be mounted in any position
- Positional lever handle for easy operation
- 100% leak tested

## Approvals

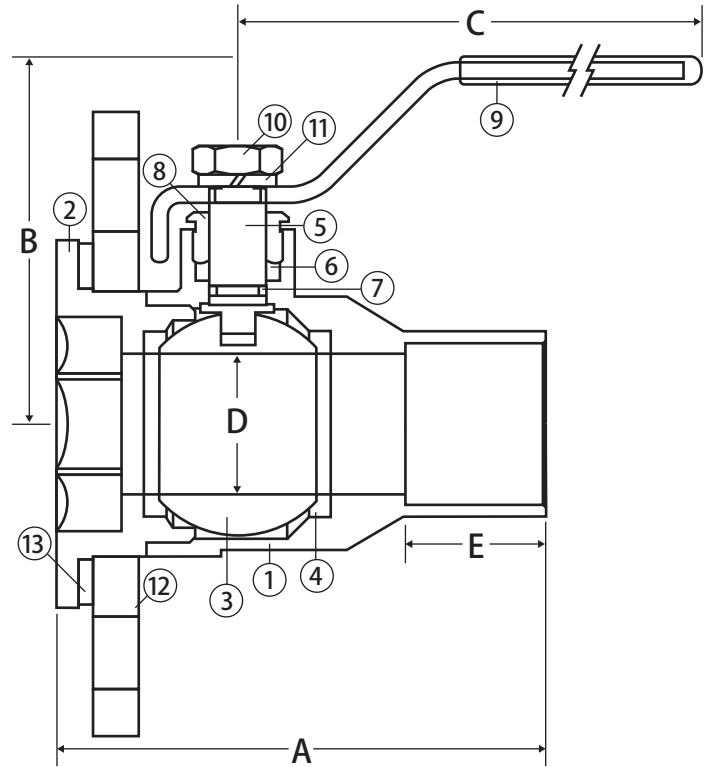
- ASME/ANSI B16.18

## Valve Seat Rating

600 WOG - 150 WSP



**WARNING:** This product can expose you to chemicals including lead, which is known to the State of California to cause cancer, and lead, which is known to the State of California to cause birth defects or other reproductive harm. For more information go to [www.P65Warnings.ca.gov](http://www.P65Warnings.ca.gov).



## Material Specifications

No.	Part	Materials
1	Body	Brass - C37700
2	End Connection	Brass - C37700
3	Ball	Chrome Plated Brass - C37700
4	Seat (2)	PTFE
5	Stem	Brass - C37700
6	Packing	PTFE
7	Stem O-ring	Buna-N
8	Packing Gland	Brass - C37700
9	Handle	Steel - Chrome Plated
10	Handle Nut	Steel - Chrome Plated
11	Lock Washer	Steel - Chrome Plated
12	Flange	Steel - Chrome Plated
13	Body Gasket	EPDM
14	Mounting Bolt (2)*	Steel - Chrome Plated
15	Mounting Nut (2)*	Steel - Chrome Plated
16	Pump Gasket*	EPDM

\* Not shown in drawing

## Dimensions

Part No.	Size	A	B	C	D	E
100-113FL	1/2"	2.20	1.48	3.54	0.51	0.51
100-114FL	3/4"	2.63	1.94	4.45	0.75	0.75
100-115FL	1"	2.96	2.17	4.45	0.98	0.86
100-116FL	1-1/4"	3.44	2.51	5.74	1.25	1.08

LT-JV-C 082018

# Brass Ball Valve

## 3 Piece 4 Bolt • Full Port • Threaded Connection • 600 WOG



**T-600-4B**

### Features

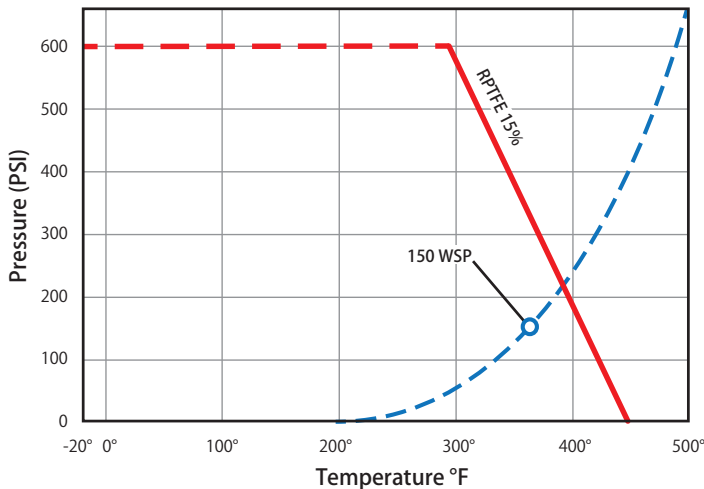
- Latch lock handle standard
- 3 piece swing out body
- 100% leak tested

### Approvals

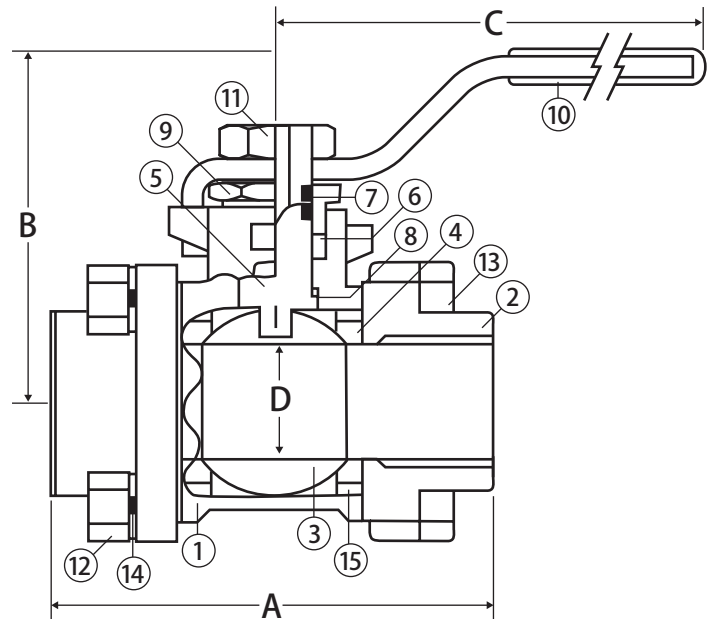
- MSS SP-110
- ANSI B1.20.1

### Valve Seat Rating

600 WOG - 150 WSP



**WARNING:** This product can expose you to chemicals including lead, which is known to the State of California to cause cancer, and lead, which is known to the State of California to cause birth defects or other reproductive harm. For more information go to [www.P65Warnings.ca.gov](http://www.P65Warnings.ca.gov).



### Material Specifications

No.	Part	Materials
1	Body	Brass - C37000
2	End Cap (2)	Brass - C37000
3	Ball	Chrome Plated Brass - C3600
4	Seat (2)	RPTFE - 15%
5	Stem	Brass - C3600
6	Packing	RPTFE - 15%
7	O-Ring (2)	Viton®
8	Stem Seal	RPTFE - 15%
9	Packing Gland	Brass - C3600
10	Handle	Steel - Nickel Plated
11	Handle Nut	Steel - Nickel Plated
12	Body Bolt (4)	Steel - Nickel Plated
13	Body Nut (4)	Steel - Nickel Plated
14	Lock Washer (8)	Steel - Nickel Plated
15	Body Seal	RPTFE - 15%

### Dimensions

Part No.	Size	A	B	C	D	Torque
500-603	1/2"	2.62	1.81	2.87	0.59	22
500-604	3/4"	2.93	2.40	4.67	0.79	
500-605	1"	3.44	2.52	4.67	0.99	55
500-606	1-1/4"	3.96	3.11	5.86	1.26	95
500-607	1-1/2"	4.43	3.27	5.86	1.50	120
500-608	2"	5.55	3.62	7.87	1.97	340

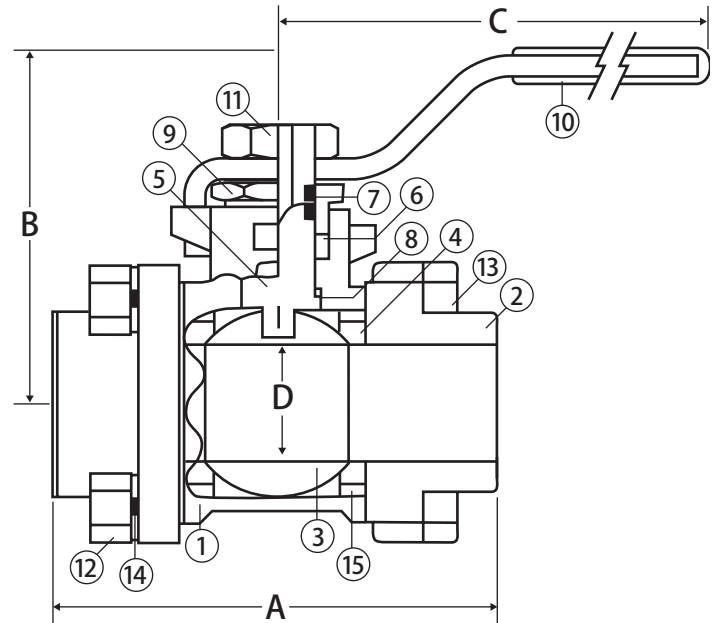
# Brass Ball Valve



## 3 Piece 4 Bolt • Full Port • Brazed Connection • 600 WOG



**S-600-4B**



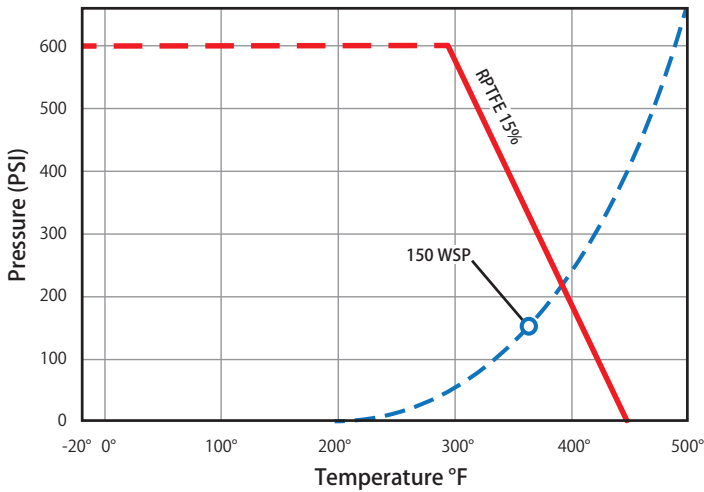
### Features

- Latch lock handle standard
- 3 piece swing out body
- Body should be swung out during brazing process
- 100% leak tested

### Approvals

- MSS SP-110

### Valve Seat Rating 600 WOG - 150 WSP



### Material Specifications

No.	Part	Materials
1	Body	Brass - C37000
2	End Cap (2)	Brass - C37000
3	Ball	Chrome Plated Brass - C3600
4	Seat (2)	RPTFE - 15%
5	Stem	Brass - C3600
6	Packing	RPTFE - 15%
7	O-Ring (2)	Viton®
8	Stem Seal	RPTFE - 15%
9	Packing Gland	Brass - C3600
10	Handle	Steel - Nickel Plated
11	Handle Nut	Steel - Nickel Plated
12	Body Bolt (4)	Steel - Nickel Plated
13	Body Nut (4)	Steel - Nickel Plated
14	Lock Washer (8)	Steel - Nickel Plated
15	Body Seal	RPTFE - 15%

### Dimensions

Part No.	Size	A	B	C	D	Torque
500-613	1/2"	2.62	1.81	2.87	0.59	22
500-614	3/4"	2.93	2.40	4.67	0.79	
500-615	1"	3.44	2.52	4.67	0.99	55
500-616	1-1/4"	3.96	3.11	5.86	1.26	95
500-617	1-1/2"	4.43	3.27	5.86	1.50	120
500-618	2"	5.55	3.62	7.87	1.97	340

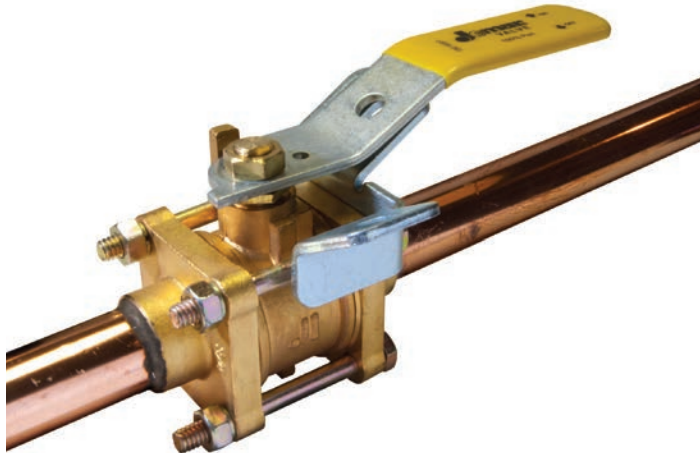
**WARNING:** This product can expose you to chemicals including lead, which is known to the State of California to cause cancer, and lead, which is known to the State of California to cause birth defects or other reproductive harm. For more information go to [www.P65Warnings.ca.gov](http://www.P65Warnings.ca.gov).

LT-JV-C 082018

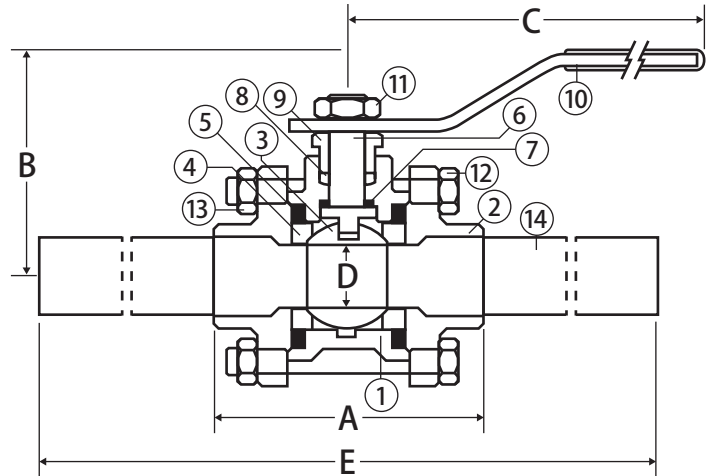


# Medical Gas Ball Valve

3 Piece 4 Bolt • Oxygen Cleaned for Medical Gas •  
Copper Stub Connection • 600 WOG



**S-650-CE-4B**



## Features

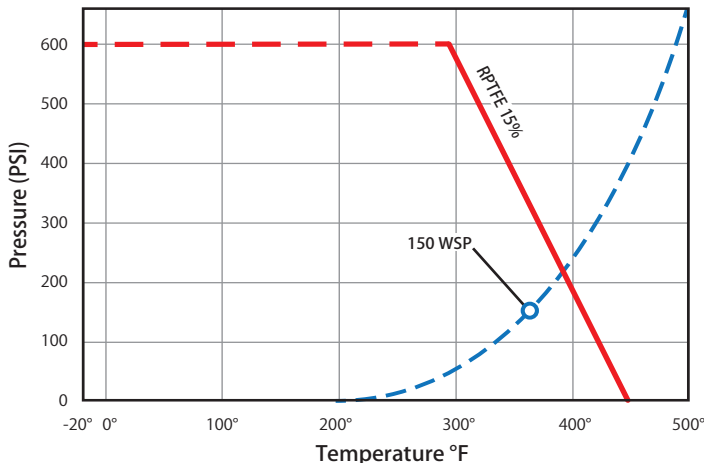
- NFPA-99C standard
- "K" copper tubing extensions silver brazed
- Latch lock handle is standard
- Oxygen cleaned
- 100% leak tested

## Approvals

- MSS SP-110

## Valve Seat Rating

600 WOG - 150 WSP



**WARNING:** This product can expose you to chemicals including lead, which is known to the State of California to cause cancer, and lead, which is known to the State of California to cause birth defects or other reproductive harm. For more information go to [www.P65Warnings.ca.gov](http://www.P65Warnings.ca.gov).

## Material Specifications

No.	Part	Materials
1	Body	Brass
2	End Cap (2)	Brass
3	Ball	Chrome Plated Brass
4	Seat (2)	RPTFE - 15%
5	Body O-ring (2)	Viton®
6	Stem	Brass
7	Stem Seal	RPTFE - 15%
8	Packing	RPTFE - 15%
9	Packing Gland	Brass
10	Handle	Steel - Nickel Plated
11	Handle Nut	Steel - Nickel Plated
12	Body Bolt (4)	Steel - Nickel Plated
13	Body Nut (4)	Steel - Nickel Plated
14	Extension (2)	Copper
15	Locking Device*	Steel - Nickel Plated
16	Grip*	Plastic
17	Copper Extension*	Typek
18	End Plug*	Plastic

\* Not shown in drawing

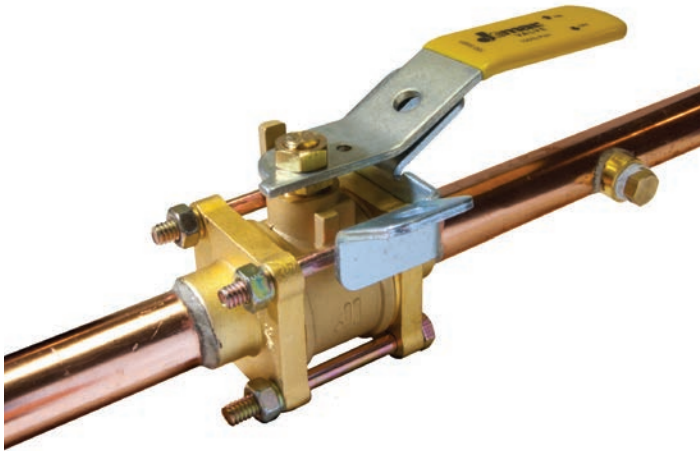
## Dimensions

Part No.	Size	A	B	C	D	E
500-803	1/2"	2.64	1.81	2.87	0.59	17.50
500-804	3/4"	2.95	2.44	4.67	0.79	17.50
500-805	1"	3.46	2.56	4.67	0.99	19.00
500-806	1-1/4"	3.97	3.11	5.86	1.26	20.00
500-807	1-1/2"	4.45	3.27	5.86	1.50	23.50
500-808	2"	5.55	3.66	7.87	1.97	26.00

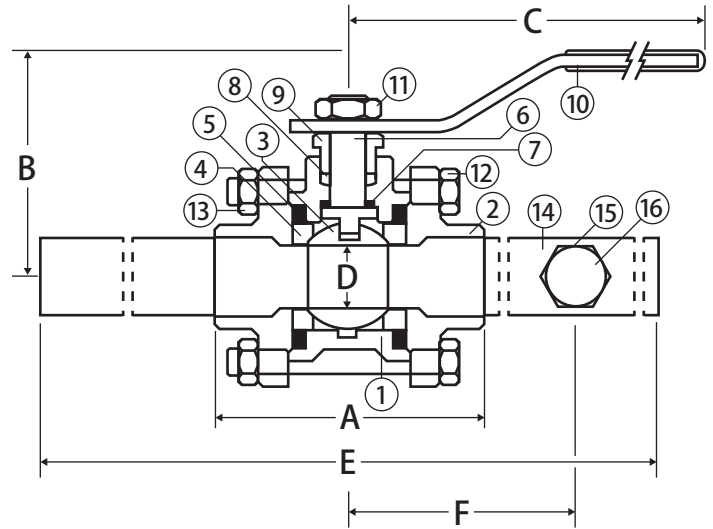
# Medical Gas Ball Valve



**3 Piece 4 Bolt • Oxygen Cleaned for Medical Gas •  
Copper Stub Connection • with Single Gauge Port • 600 WOG**



**S-675-GP-4B**



## Features

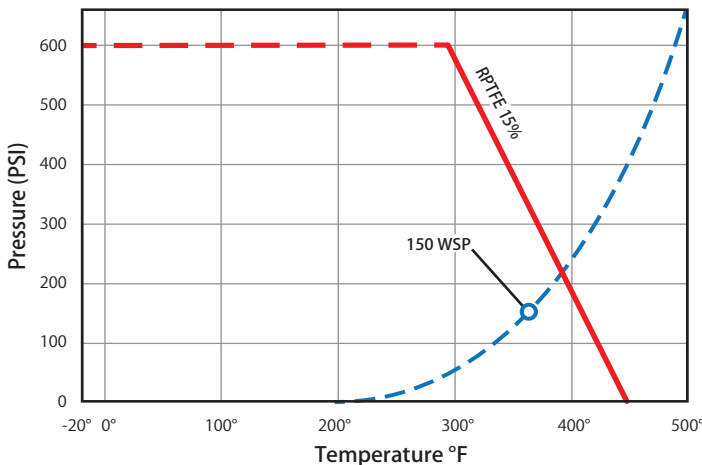
- NFPA-99C standard
- One 1/8" gauge purge port
- "K" copper tubing extensions silver brazed
- Latch lock handle is standard
- Oxygen cleaned
- 100% leak tested

## Approvals

- MSS SP-110

## Valve Seat Rating

600 WOG - 150 WSP



**WARNING:** This product can expose you to chemicals including lead, which is known to the State of California to cause cancer, and lead, which is known to the State of California to cause birth defects or other reproductive harm. For more information go to [www.P65Warnings.ca.gov](http://www.P65Warnings.ca.gov).

## Material Specifications

No.	Part	Materials
1	Body	Brass
2	End Cap (2)	Brass
3	Ball	Chrome Plated Brass
4	Seat (2)	RPTFE - 15%
5	Body O-ring (2)	Viton®
6	Stem	Brass
7	Stem Seal	RPTFE - 15%
8	Packing	RPTFE - 15%
9	Packing Gland	Brass
10	Handle	Steel - Nickel Plated
11	Handle Nut	Steel - Nickel Plated
12	Body Bolt (4)	Steel - Nickel Plated
13	Body Nut (4)	Steel - Nickel Plated
14	Extension (2)	Copper
15	Port Housing	Brass
16	Purge Port	Brass
17	Locking Device*	Steel - Nickel Plated
18	End Plug*	Plastic
19	Purge Port*	Brass

\* Not shown in drawing

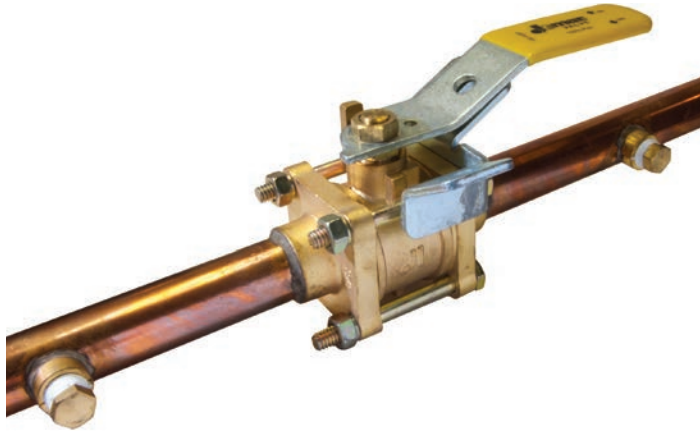
## Dimensions

Part No.	Size	A	B	C	D	E	F
500-823	1/2"	2.64	1.81	2.87	0.59	17.50	5.00
500-824	3/4"	2.95	2.44	4.67	0.79	17.50	5.00

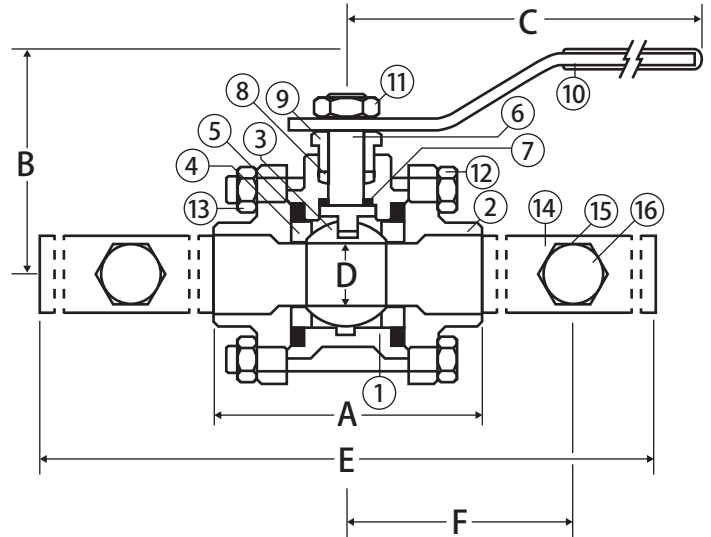
LT-JV-C 082018

# Medical Gas Ball Valve

**3 Piece 4 Bolt • Oxygen Cleaned for Medical Gas •  
Copper Stub Connection • with Double Gauge Port • 600 WOG**



**S-675-DGP-4B**



## Features

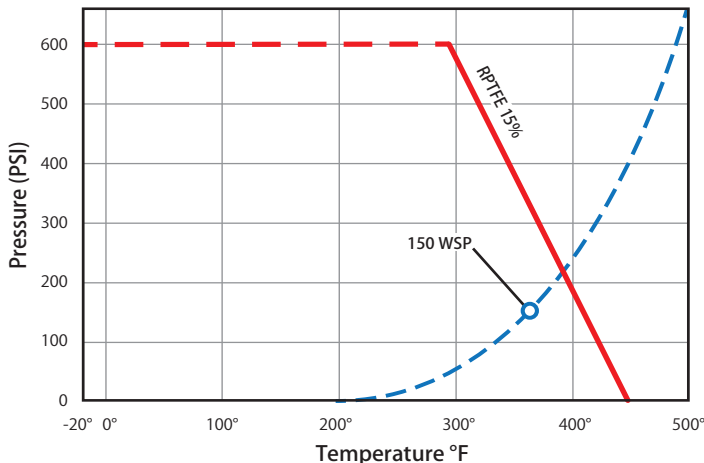
- NFPA-99C standard
- Two 1/8" gauge purge ports
- "K" copper tubing extensions silver brazed
- Latch lock handle is standard
- Oxygen cleaned
- 100% leak tested

## Approvals

- MSS SP-110

## Valve Seat Rating

600 WOG - 150 WSP



**WARNING:** This product can expose you to chemicals including lead, which is known to the State of California to cause cancer, and lead, which is known to the State of California to cause birth defects or other reproductive harm. For more information go to [www.P65Warnings.ca.gov](http://www.P65Warnings.ca.gov).

## Material Specifications

No.	Part	Materials
1	Body	Brass
2	End Cap (2)	Brass
3	Ball	Chrome Plated Brass
4	Seat (2)	RPTFE - 15%
5	Body O-ring (2)	Viton®
6	Stem	Brass
7	Stem Seal	RPTFE - 15%
8	Packing	RPTFE - 15%
9	Packing Gland	Brass
10	Handle	Steel - Nickel Plated
11	Handle Nut	Steel - Nickel Plated
12	Body Bolt (4)	Steel - Nickel Plated
13	Body Nut (4)	Steel - Nickel Plated
14	Extension (2)	Copper
15	Port Housing (2)	Brass
16	Purge Port (2)	Brass
17	Locking Device*	Steel - Nickel Plated
18	End Plug*	Plastic
19	Purge Port*	Brass

\* Not shown in drawing

## Dimensions

Part No.	Size	A	B	C	D	E	F
500-833	1/2"	2.64	1.81	2.87	0.59	17.50	5.00
500-834	3/4"	2.95	2.44	4.67	0.79	17.50	5.00
500-835	1"	3.46	2.56	4.67	0.99	19.00	5.00
500-836	1-1/4"	3.97	3.11	5.86	1.26	20.00	6.50
500-837	1-1/2"	4.45	3.27	5.86	1.50	23.50	6.50
500-838	2"	5.55	3.66	7.87	1.97	26.00	6.50

# Add-A-Valve<sup>®</sup>

## Emergency Shut Off Device



**Add-A-Valve**

### Description

Emergency shut off device for copper tubing eliminates shutdowns. Allows replacement of defective valve or installation of new valve on hot or cold water in 30 minutes or less\* without shutting off water. Valve may be replaced or installed on hot or cold water, H<sub>2</sub>O glycol systems, under pressure, on type M, L & K and copper tube.

\*Times may vary depending on working conditions

### Features

- Eliminates facility shutdowns
- Bottom clean-out cap serves as full port line tap
- Lead free sweat ball valve included in package
- Loc-Tite<sup>®</sup> gasket sealant included
- U.S. and Canadian patent no. 5,316,037

### Pressure Rating

- 220°F x 250 PSI



**WARNING:** This product can expose you to chemicals including lead, which is known to the State of California to cause cancer, and lead, which is known to the State of California to cause birth defects or other reproductive harm. For more information go to [www.P65Warnings.ca.gov](http://www.P65Warnings.ca.gov).

### Installation Note

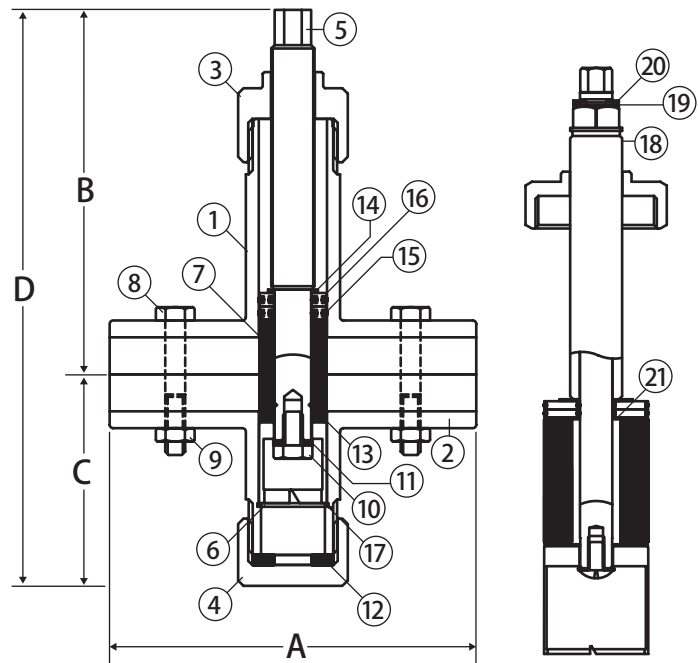
For sizes 1-1/4" - 2" you MUST have 2 people.

Detailed instructions can be found online at: <http://www.jomarvalve.com/products/add-a-valve>

### Lead Free Statement

The Jomar Add-a-Valve<sup>®</sup> is an emergency shutdown kit that is comprised of a service saddle, cutting-tee, adhesive and a lead free brass ball valve. It is Jomar's interpretation of the law that the service saddle portion of this kit (the Add-a-Valve<sup>®</sup> cutter assembly) is exempt under the Safe Water Drinking Act and the brass ball valve that is provided is lead free. Therefore, the entire Jomar Add-a-Valve<sup>®</sup> kit meets all federal lead free legislation.

*"(4) EXEMPTIONS.—The prohibitions in paragraphs (1) and (3) shall not apply to—  
“(B) toilets, bidets, urinals, fill valves, flushometer valves, tub fillers, shower valves, service saddles, or water distribution main gate valves that are 2 inches in diameter or larger.”  
—Safe Drinking Water Act*



### Material Specifications

No.	Part	Materials
1	Body Half - Top	Forged Brass
2	Body Half - Bottom	Forged Brass
3	Stem Holder (1/2 - 1")	Brass
	(1-1/4 - 2")	Forged Brass
4	Bottom Cap (1/2 - 1")	Brass
	(1-1/4 - 2")	Forged Brass
5	Stem	Hardened Steel
6	Cutter	SKD11 Steel
7	Plug	Viton <sup>®</sup>
8	Bolt	304 Stainless Steel
9	Nut	304 Stainless Steel
10	Cutter Screw	304 Stainless Steel
11	Washer	304 Stainless Steel
12	Gasket	Viton <sup>®</sup>
13	Washer	304 Stainless Steel
14	Washer	304 Stainless Steel
15	O-ring	Viton <sup>®</sup>
16	O-ring Holder	Brass
17	Seat Ring	304 Stainless Steel
18	Thread Tube	Brass
19	Washer	304 Stainless Steel
20	Spring Washer	304 Stainless Steel
21	Insert (2" only)	Brass

### Dimensions

Part No.	Size	A	B	C	D (Open)	D (Closed)
800-103ADD	1/2"	2.99	5.08	1.61	6.69	5.12
800-104ADD	3/4"	3.31	6.30	2.48	8.78	6.77
800-105ADD	1"	3.66	7.48	2.80	10.28	7.68
800-106ADD	1-1/4"	4.25	9.77	2.80	12.72	9.77
800-107ADD	1-1/2"	4.65	10.43	3.58	13.86	10.43
800-108ADD	2"	7.20	12.17	3.98	16.61	12.17

LT-JV-C 082018

# Gas Ball Valve

**2 Piece • Female Dielectric Union End x Female Connections • 600 WOG**



**T-204DU FIP x FIP**

### Features

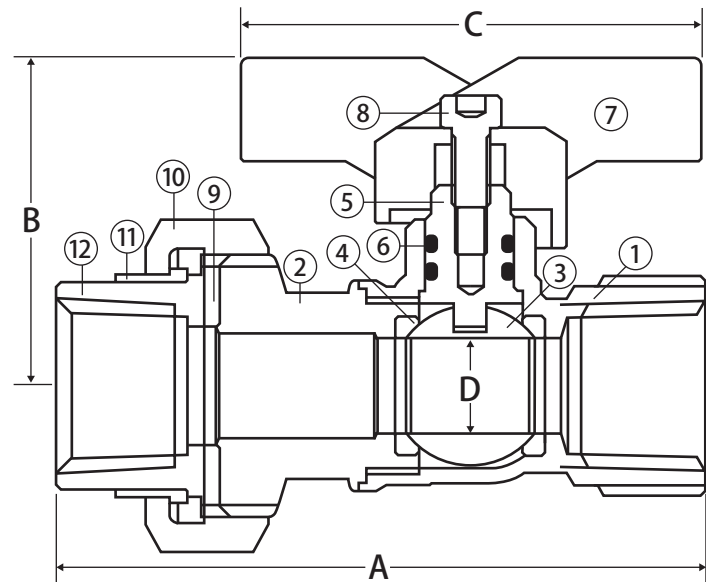
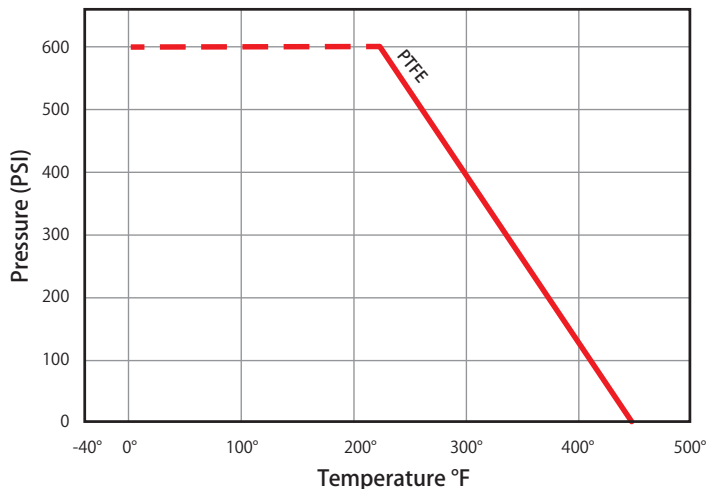
- Valve can be locked in the closed position by reversing the handle
- 2 Viton® o-rings
- Meets the NFPA 58 dielectric requirement
- 100% leak tested
- Made in Italy
- Leakproof stem - Lifetime Warranty
- For sizes above 3/4" use T-100UE

### Approvals

- CSA Certified
  - ANSI Z21.15 (.5 PSIG)
  - ASME B16.44 (5 PSI)
  - CGA CR91 (5 PSIG)
- ANSI B1.20.1
- Meets or exceeds applicable part of UL: YSDT - LP Gas Shut-off valves (600PSI)
- MSS SP-110

### Valve Seat Rating

**600 WOG**



### Material Specifications

No.	Part	Materials
1	Body	Brass - CW617N
2	End Connection	Brass - CW617N
3	Ball	Chrome Plated Brass - CW614N
4	Seat (2)	PTFE
5	Stem	Brass - CW614N
6	Stem O-ring (2)	Viton®
7	Handle	Aluminum
8	Handle Screw	Steel - Geomet® Plated
9	Gasket	Buna-N
10	Union Nut	Brass - CW617N
11	Dielectric Ring	Nylon 6
12	Tail Piece	Brass - CW614N

### Dimensions

Part No.	Size	A	B	C	D
101-403DU	1/2" FIP x 1/2" FIP	3.24	1.63	2.32	0.47
101-404DU	3/4" FIP x 3/4" FIP	3.55	1.79	2.32	0.59

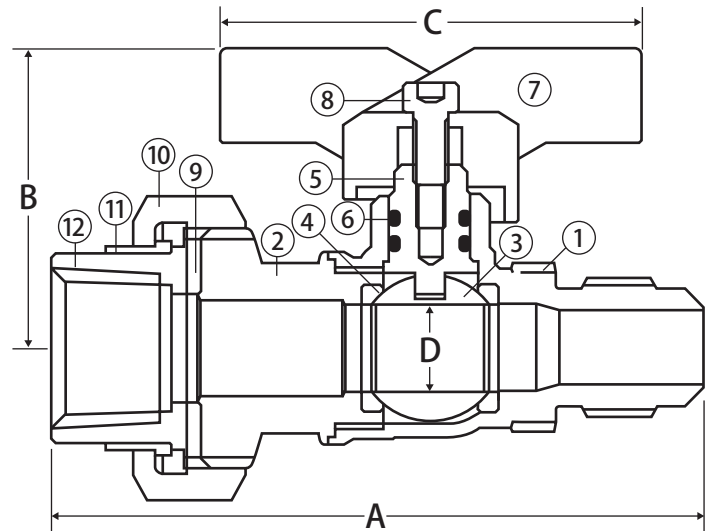
# Gas Ball Valve



## 2 Piece • Female Dielectric Union End x Flare Connections • 600 WOG



**T-204DU FIP x FL**



### Features

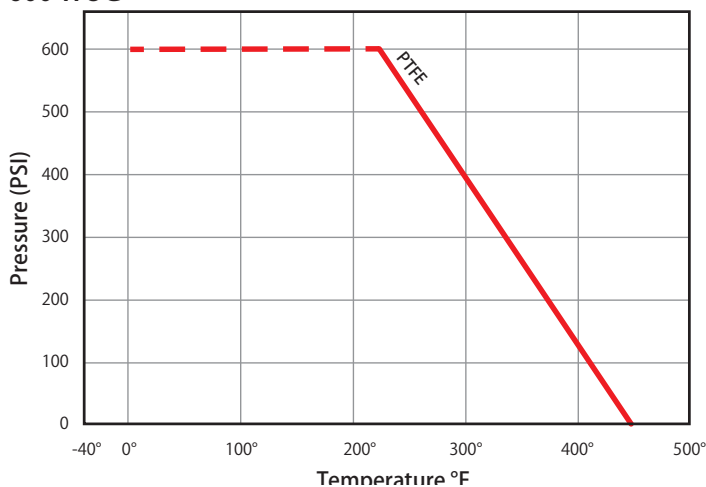
- Valve can be locked in the closed position by reversing the handle
- 2 Viton® o-rings
- Meets the NFPA 58 dielectric requirement
- 100% leak tested
- Made in Italy
- Leakproof stem - Lifetime Warranty

### Approvals

- CSA Certified
  - ANSI Z21.15 (.5 PSIG)
  - ASME B16.44 (5 PSI)
  - CGA CR91 (5 PSIG)
- ANSI B1.20.1
- Meets or exceeds applicable part of UL: YSDT - LP Gas Shut-off valves (600PSI)
- MSS SP-110
- Flare Connection in accordance with NFPA 54/ANSI Z223.1

### Valve Seat Rating

600 WOG



### Material Specifications

No.	Part	Materials
1	Body	Brass - CW617N
2	End Connection	Brass - CW617N
3	Ball	Chrome Plated Brass - CW614N
4	Seat (2)	PTFE
5	Stem	Brass - CW614N
6	Stem O-ring (2)	Viton®
7	Handle	Aluminum
8	Handle Screw	Steel - Geomet® Plated
9	Gasket	Buna-N
10	Union Nut	Brass - CW617N
11	Dielectric Ring	Nylon 6
12	Tail Piece	Brass - CW614N

### Dimensions

Part No.	Size	A	B	C	D
101-513DU	1/2" FIP x 1/2" FL	3.54	1.63	2.32	0.47

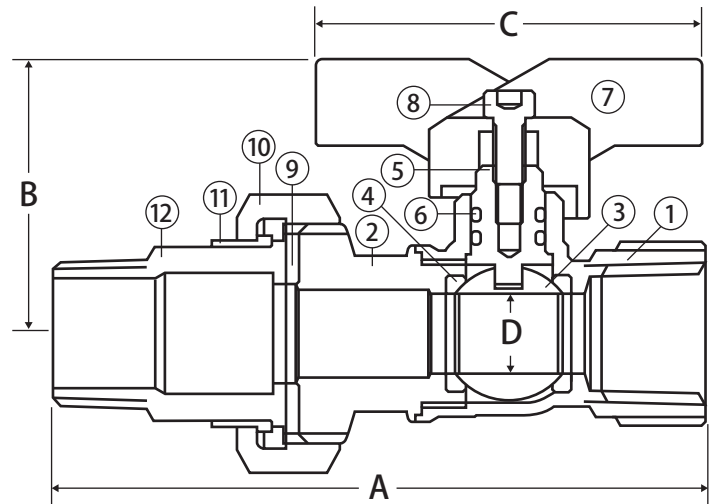
LIT-JV-C 082018

# Gas Ball Valve

**2 Piece • Male Dielectric Union End x Female Connections •  
600 WOG**



**T-204DU MIP x FIP**



### Features

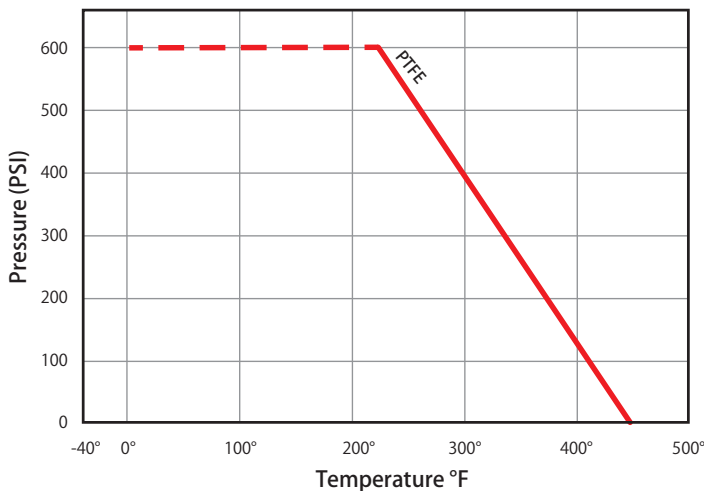
- Valve can be locked in the closed position by reversing the handle
- 2 Viton® o-rings
- Meets the NFPA 58 dielectric requirement
- 100% leak tested
- Made in Italy
- Leakproof stem - Lifetime Warranty

### Approvals

- CSA Certified
  - ANSI Z21.15 (.5 PSIG)
  - ASME B16.44 (5 PSI)
  - CGA CR91 (5 PSIG)
- Meets or exceeds applicable part of UL: YSDT - LP Gas Shut-off valves (600PSI)
- ANSI B1.20.1
- MSS SP-110

### Valve Seat Rating

**600 WOG**



### Material Specifications

No.	Part	Materials
1	Body	Brass - CW617N
2	End Connection	Brass - CW617N
3	Ball	Chrome Plated Brass - CW614N
4	Seat (2)	PTFE
5	Stem	Brass - CW614N
6	Stem O-ring (2)	Viton®
7	Handle	Aluminum
8	Handle Screw	Steel - Geomet® Plated
9	Gasket	Buna-N
10	Union Nut	Brass - CW617N
11	Dielectric Ring	Nylon 6
12	Tail Piece	Brass - CW614N

### Dimensions

Part No.	Size	A	B	C	D
101-803DU	1/2" MIP x 1/2" FIP	4.02	1.63	2.32	0.47
101-804DU	3/4" MIP x 3/4" FIP	4.35	1.79	2.32	0.59

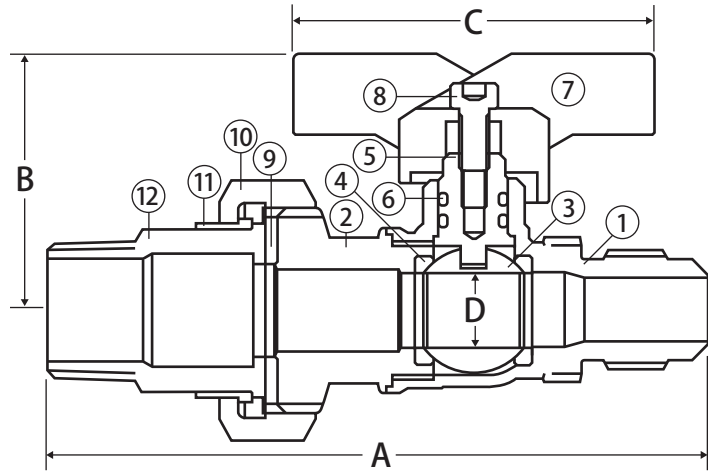
# Gas Ball Valve



## 2 Piece • Male Dielectric Union End x Flare Connections • 600 WOG



**T-204DU MIP x FL**



### Features

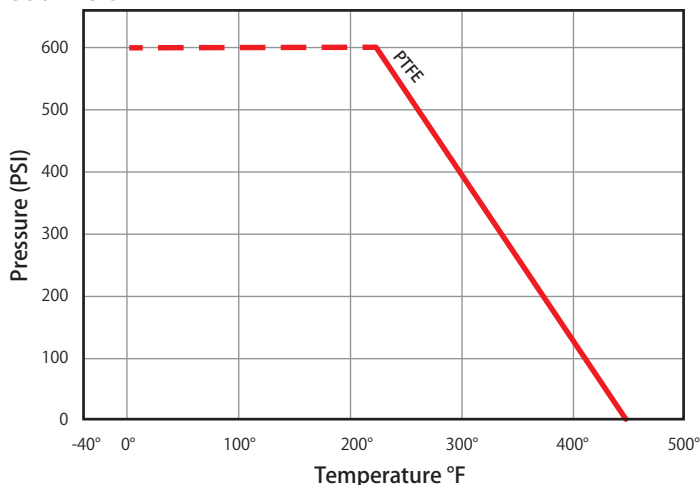
- Valve can be locked in the closed position by reversing the handle
- 2 Viton® o-rings
- Meets the NFPA 58 dielectric requirement
- 100% leak tested
- Made in Italy
- Leakproof stem - Lifetime Warranty

### Approvals

- CSA Certified
  - ANSI Z21.15 (.5 PSIG) (1/2")
  - ASME B16.44 (5 PSI) (1/2")
  - CGA CR91 (5 PSIG) (1/2")
- ANSI B1.20.1
- Meets or exceeds applicable part of UL: YSDT - LP Gas Shut-off valves (600PSI)
- MSS SP-110
- Flare Connection in accordance with NFPA 54/ANSI Z223.1

### Valve Seat Rating

600 WOG



### Material Specifications

No.	Part	Materials
1	Body	Brass - CW617N
2	End Connection	Brass - CW617N
3	Ball	Chrome Plated Brass - CW614N
4	Seat (2)	PTFE
5	Stem	Brass - CW614N
6	Stem O-ring (2)	Viton®
7	Handle	Aluminum
8	Handle Screw	Steel - Geomet® Plated
9	Gasket	Buna-N
10	Union Nut	Brass - CW617N
11	Dielectric Ring	Nylon 6
12	Tail Piece	Brass - CW614N

### Dimensions

Part No.	Size	A	B	C	D
101-703DU	1/2" MIP x 1/2" FL	4.32	1.63	2.32	0.47
101-704DU	3/4" MIP x 5/8" FL	4.77	1.75	2.32	0.59

LT-JV-C 082018



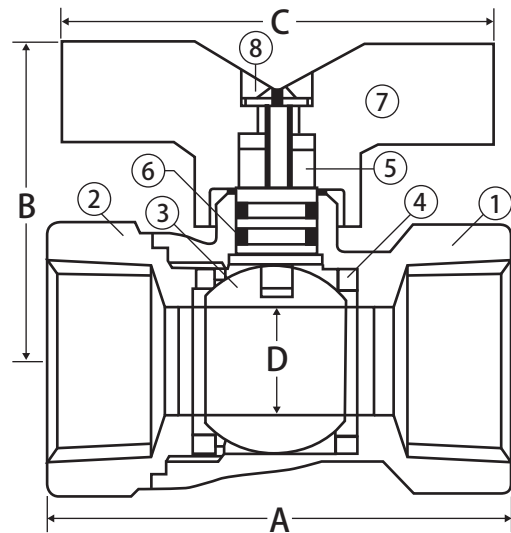
# Gas Ball Valve

## 2 Piece • Threaded Connection • 600 WOG



CRN# 0C16887.5469870YTN

### T-204 FIP x FIP



### Material Specifications

No.	Part	Materials
1	Body	Brass - CW617N
2	End Connection	Brass - CW617N
3	Ball	Chrome Plated Brass - CW614N
4	Seat (2)	PTFE
5	Stem	Brass - CW614N
6	Stem O-ring (2)	Viton®
7	Handle*	Aluminum
8	Handle Screw	Steel - Geomet® Plated

\*101-404BRT has brass handle

### Features

- Valve can be locked in the closed position by reversing the handle
- 2 Viton® o-rings
- 100% leak tested
- 100% Made in Italy
- Leakproof stem - Lifetime Warranty
- For sizes above 3/4" use Model T-100C

### Approvals

- UL Listed
  - YQNZ - Compressed gas shut-off valves
  - YRPV - Gas shut-off valves
  - YSDT - LP gas shut-off valves
  - MHKZ - Manual valves
  - YRBX - Flammable liquid shut-off valves
  - SFJQ - Valves, refrigerant
- CSA Certified
  - ANSI Z21.15 (.5 PSIG)
  - ASME B16.44 (5 PSIG)
  - CGA CR91 (5 PSIG)
- ANSI B1.20.1
- MSS SP-110

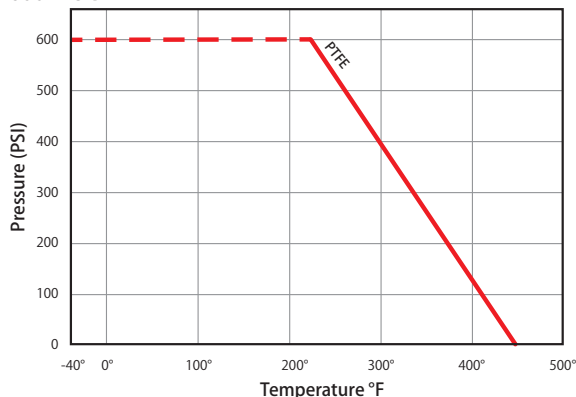
### Dimensions

Part No.	Size	A	B	C	D
<b>T-handle</b>					
101-401	1/4" FIP	1.85	1.63	2.32	0.39
101-402	3/8" FIP	1.85	1.63	2.32	0.47
101-403	1/2" FIP	2.40	1.63	2.32	0.47
101-404	3/4" FIP	2.53	1.69	2.32	0.59
101-404BRT*	3/4" FIP	2.53	2.05	2.32	0.59
<b>Teardrop Handle</b>					
101-411	1/4" FIP	1.85	1.40	1.97	0.39
101-412	3/8" FIP	1.85	1.40	1.97	0.47
101-413	1/2" FIP	2.40	1.40	1.97	0.47
101-414	3/4" FIP	2.53	1.46	1.97	0.59

\*BRT=Brass T-handle

### Valve Seat Rating

600 WOG



**WARNING:** This product can expose you to chemicals including lead, which is known to the State of California to cause cancer, and lead, which is known to the State of California to cause birth defects or other reproductive harm. For more information go to [www.P65Warnings.ca.gov](http://www.P65Warnings.ca.gov).

# Gas Ball Valve



## 2 Piece • Flare Connection • 600 WOG

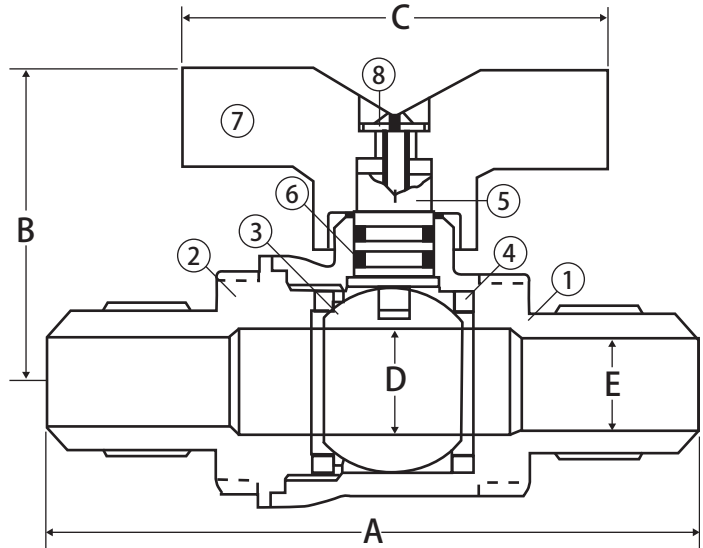


T-handle

Teardrop Handle

CRN# 0C16887.5469870YTN

### T-204 FL x FL



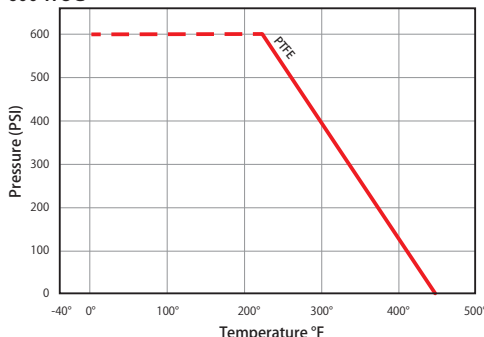
### Features

- Valve can be locked in the closed position by reversing the handle
- 2 Viton® o-rings
- 100% leak tested
- Made in Italy
- Leakproof stem - Lifetime Warranty

### Approvals

- UL Listed
  - YQNZ - Compressed gas shut-off valves
  - YRPV - Gas shut-off valves
  - YSDT - LP gas shut-off valves
  - MHKZ - Manual valves
  - YRBX - Flammable liquid shut-off valves
  - SFJQ - Valves, refrigerant
- CSA Certified
  - ANSI Z21.15 (.5 PSIG)
  - ASME B16.44 (5 PSI)
  - CGA CR91 (5 PSIG)
- ANSI B1.20.1
- MSS SP-110
- Flare Connection in accordance with NFPA 54/ANSI Z223.1

### Valve Seat Rating 600 WOG



### Material Specifications

No.	Part	Materials
1	Body	Brass - CW617N
2	End Connection	Brass - CW617N
3	Ball	Chrome Plated Brass - CW614N
4	Seat (2)	PTFE
5	Stem	Brass - CW614N
6	Stem O-ring (2)	Viton®
7	Handle	Aluminum
8	Handle Screw	Steel - Geomet® Plated

### Dimensions

Part No.	Size	A	B	C	D	E
<b>T-handle</b>						
101-601	1/2" FL x 3/8" FL	2.98	1.63	2.32	0.47	0.40
101-602	3/8" FL x 3/8" FL	2.81	1.63	2.32	0.47	0.28
101-603	1/2" FL x 1/2" FL	3.14	1.63	2.32	0.47	0.40
101-604	5/8" FL x 5/8" FL	3.45	1.69	2.32	0.59	0.50
<b>Teardrop Handle</b>						
101-612	3/8" FL x 3/8" FL	2.81	1.40	1.97	0.47	0.28
101-613	1/2" FL x 1/2" FL	3.14	1.40	1.97	0.47	0.40
101-614	5/8" FL x 5/8" FL	3.45	1.46	1.97	0.59	0.50

LIT-JV-C 082018

# Gas Ball Valve



## 2 Piece • Flare x Female Connection • 600 WOG



T-handle

Teardrop Handle

### T-204 FL x FIP

CRN# 0C16887.5469870YTN

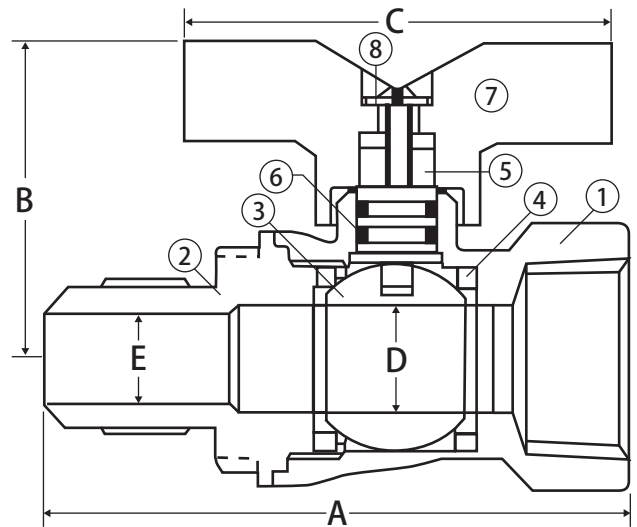
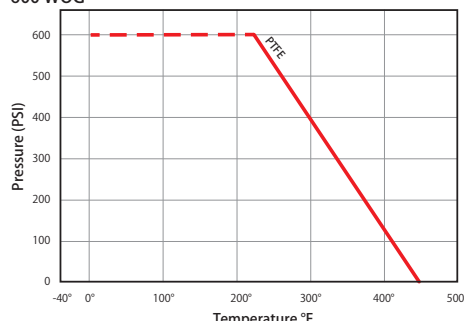
#### Features

- Valve can be locked in the closed position by reversing the handle
- 2 Viton® o-rings
- 100% leak tested
- Made in Italy
- Leakproof stem - Lifetime Warranty

#### Approvals

- UL Listed
  - YQNZ - Compressed gas shut-off valves
  - YRPV - Gas shut-off valves
  - YSDT - LP gas shut-off valves
  - MHKZ - Manual valves
  - YRBX - Flammable liquid shut-off valves
  - SFJQ - Valves, refrigerant
- CSA Certified
  - ANSI Z21.15 (.5 PSIG)
  - ASME B16.44 (5 PSI)
  - CGA CR91 (5 PSIG)
- ANSI B1.20.1
- MSS SP-110
- Flare Connection in accordance with NFPA 54/ANSI Z223.1

#### Valve Seat Rating 600 WOG



#### Material Specifications

No.	Part	Materials
1	Body	Brass - CW617N
2	End Connection	Brass - CW617N
3	Ball	Chrome Plated Brass - CW614N
4	Seat (2)	PTFE
5	Stem	Brass - CW614N
6	Stem O-ring (2)	Viton®
7	Handle	Aluminum
8	Handle Screw	Steel - Geomet® Plated

#### Dimensions

Part No.	Size	A	B	C	D	E
<b>T-handle</b>						
101-502	3/8" FL x 1/2" FIP	2.67	1.63	2.32	0.47	0.40
101-503	1/2" FL x 1/2" FIP	2.82	1.63	2.32	0.47	0.40
101-504	5/8" FL x 3/4" FIP	2.96	1.69	2.32	0.59	0.50
<b>Teardrop Handle</b>						
101-512	3/8" FL x 1/2" FIP	2.67	1.40	1.97	0.47	0.40
101-513	1/2" FL x 1/2" FIP	2.82	1.40	1.97	0.47	0.40

# Gas Ball Valve

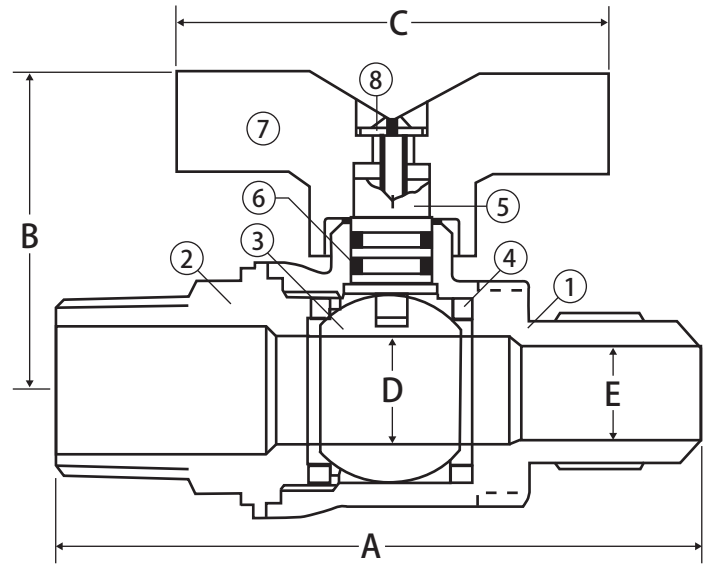


2 Piece • Male x Flare Connection • 600 WOG



T-204

CRN# 0C16887.5469870YTN



## Features

- Valve can be locked in the closed position by reversing the handle
- 2 Viton® o-rings
- 100% leak tested
- 100% Made in Italy
- Leakproof stem - Lifetime Warranty

## Approvals

- UL Listed
  - YQNZ - Compressed gas shut-off valves
  - YRPV - Gas shut-off valves
  - YSDT - LP gas shut-off valves
  - MHKZ - Manual valves
  - YRBX - Flammable liquid shut-off valves
  - SFJQ - Valves, refrigerant
- CSA Certified
  - ANSI Z21.15 (.5 PSIG)
  - ASME B16.44 (5 PSI)
  - CGA CR91 (5 PSIG)
- ANSI B1.20.1
- MSS SP-110
- Flare Connection in accordance with NFPA 54/ANSI Z223.1

## Material Specifications

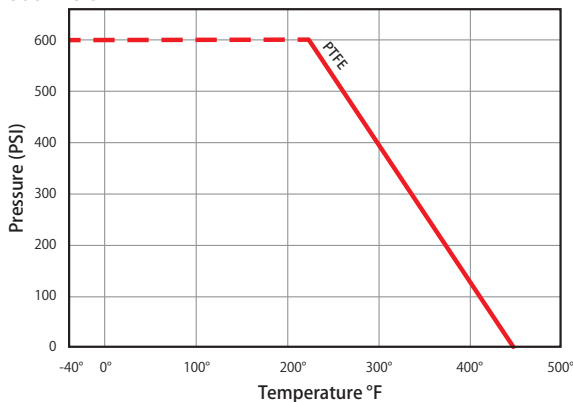
No.	Part	Materials
1	Body	Brass - CW617N
2	End Connection	Brass - CW617N
3	Ball	Chrome Plated Brass - CW614N
4	Seat (2)	PTFE
5	Stem	Brass - CW614N
6	Stem O-ring (2)	Viton®
7	Handle	Aluminum
8	Handle Screw	Steel - Geomet® Plated

## Dimensions

Part No.	Size	A	B	C	D	E
101-702	1/2" MIP x 3/8" FL	2.84	1.63	2.32	0.47	0.40

## Valve Seat Rating

600 WOG

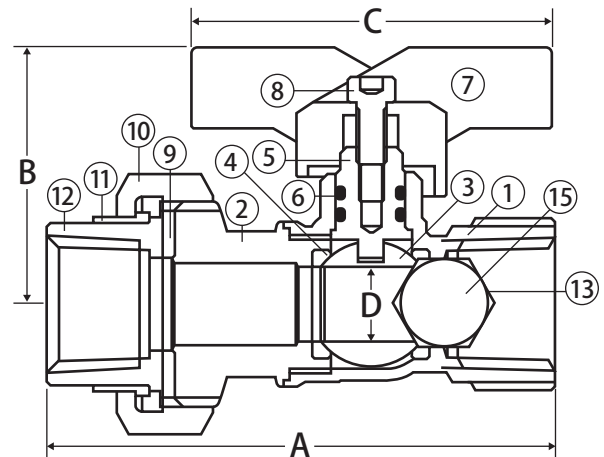


# Gas Ball Valve

**2 Piece • Female Dielectric Union End x Female Connection •  
600 WOG • with Side Tap**



**T-203DU FIP x FIP**



### Features

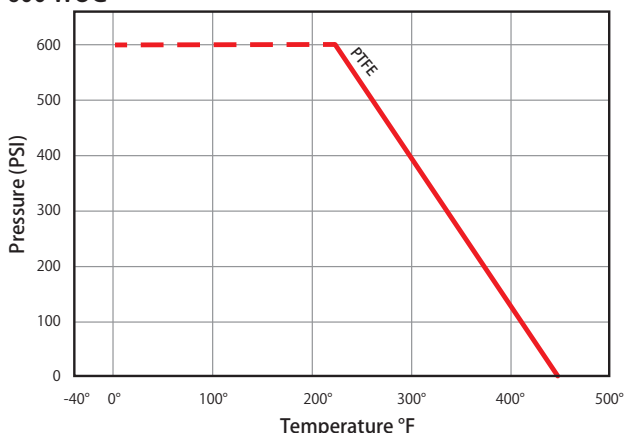
- Eliminates need for test tee and labor to install
- Ideal for use outside in extremely cold climates
- Removable plug enables port for pressure gauge
- Valve can be locked in the closed position by reversing the handle
- 2 Viton® o-rings
- 1/8" side tap
- Meets the NFPA 58 dielectric requirement
- 100% leak tested
- Made in Italy
- Leakproof stem - Lifetime Warranty
- For sizes above 3/4" use T-100UE

### Approvals

- CSA Certified
  - ANSI Z21.15 (.5 PSIG)
  - ASME B16.44 (5 PSI)
  - CGA CR91 (5 PSIG)
- ANSI B1.20.1
- Meets or exceeds applicable part of UL: YSDT - LP Gas Shut-off valves (600PSI)
- MSS SP-110

### Valve Seat Rating

600 WOG



### Material Specifications

No.	Part	Materials
1	Body	Brass - CW617N
2	End Connection	Brass - CW617N
3	Ball	Chrome Plated Brass - CW614N
4	Seat (2)	PTFE
5	Stem	Brass - CW614N
6	Stem O-ring (2)	Viton®
7	Handle	Aluminum
8	Handle Screw	Steel - Geomet® Plated
9	Gasket	Buna-N
10	Union Nut	Brass - CW617N
11	Dielectric Ring	Nylon 6
12	Tail Piece	Brass - CW614N
13	Side Tap Plug	Brass - CW614N
14	Side Tap Washer*	Buna-N
15	Side Tap Cap	Brass - CW614N

\* Not shown in drawing

### Dimensions

Part No.	Size	A	B	C	D
102-313DU	1/2" FIP x 1/2" FIP	3.24	1.63	2.32	0.47
102-314DU	3/4" FIP x 3/4" FIP	3.55	1.79	2.32	0.59

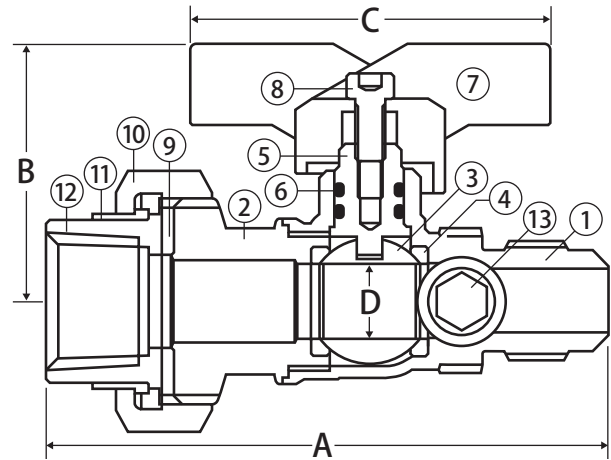
# Gas Ball Valve



## 2 Piece • Female Dielectric Union End x Flare Connection • 600 WOG • with Side Tap



T-203DU FIP x FL



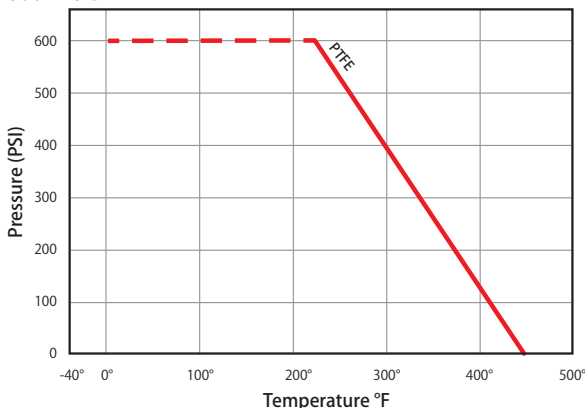
### Features

- Eliminates need for test tee and labor to install
- Ideal for use outside in extremely cold climates
- Removable plug enables port for pressure gauge
- Valve can be locked in the closed position by reversing the handle
- 2 Viton® o-rings
- 1/8" side tap
- Meets the NFPA 58 dielectric requirement
- 100% leak tested
- Made in Italy
- Leakproof stem - Lifetime Warranty

### Approvals

- CSA Certified
  - ANSI Z21.15 (.5 PSIG)
  - ASME B16.44 (5 PSI)
  - CGA CR91 (5 PSIG)
- ANSI B1.20.1
- Meets or exceeds applicable part of UL: YSDT - LP Gas Shut-off valves (600PSI)
- MSS SP-110
- Flare Connection in accordance with NFPA 54/ANSI Z223.1

### Valve Seat Rating 600 WOG



### Material Specifications

No.	Part	Materials
1	Body	Brass - CW617N
2	End Connection	Brass - CW617N
3	Ball	Chrome Plated Brass - CW614N
4	Seat (2)	PTFE
5	Stem	Brass - CW614N
6	Stem O-ring (2)	Viton®
7	Handle	Aluminum
8	Handle Screw	Steel - Geomet® Plated
9	Gasket	Buna-N
10	Union Nut	Brass - CW617N
11	Dielectric Ring	Nylon 6
12	Tail Piece	Brass - CW614N
13	Side Tap Plug	Brass - CW614N

### Dimensions

Part No.	Size	A	B	C	D
102-413DU	1/2" FIP x 1/2" FL	3.65	1.63	2.32	0.47

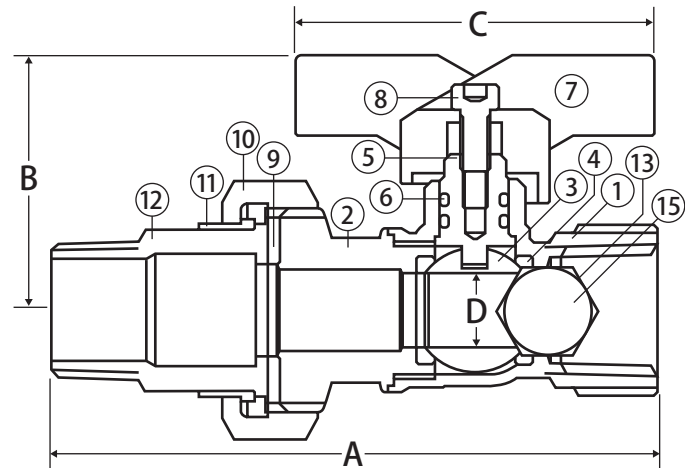
LIT-JV-C 082018

# Gas Ball Valve

**2 Piece • Male Dielectric Union End x Female Connection •  
600 WOG • with Side Tap**



**T-203DU MIP x FIP**



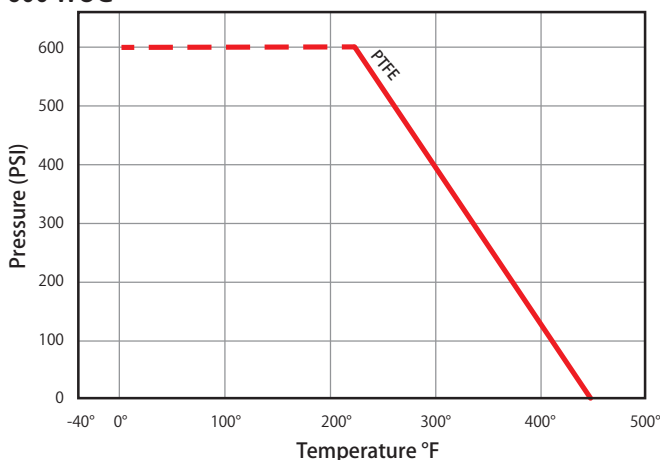
### Features

- Eliminates need for test tee and labor to install
- Ideal for use outside in extremely cold climates
- Removable plug enables port for pressure gauge
- Valve can be locked in the closed position by reversing the handle
- 1/8" side tap
- 2 Viton® o-rings
- Meets the NFPA 58 dielectric requirement
- 100% leak tested
- Made in Italy
- Leakproof stem - Lifetime Warranty

### Approvals

- CSA Certified
  - ANSI Z21.15 (.5 PSIG)
  - ASME B16.44 (5 PSI)
  - CGA CR91 (5 PSIG)
- ANSI B1.20.1
- Meets or exceeds applicable part of UL: YSDT - LP Gas Shut-off valves (600PSI)
- MSS SP-110

### Valve Seat Rating 600 WOG



### Material Specifications

No.	Part	Materials
1	Body	Brass - CW617N
2	End Connection	Brass - CW617N
3	Ball	Chrome Plated Brass - CW614N
4	Seat (2)	PTFE
5	Stem	Brass - CW614N
6	Stem O-ring (2)	Viton®
7	Handle	Aluminum
8	Handle Screw	Steel - Geomet® Plated
9	Gasket	Buna-N
10	Union Nut	Brass - CW617N
11	Dielectric Ring	Nylon 6
12	Tail Piece	Brass - CW614N
13	Side Tap Plug	Brass - CW614N
14	Side Tap Washer*	Buna-N
15	Side Tap Cap	Brass - CW614N

\* Not shown in drawing

### Dimensions

Part No.	Size	A	B	C	D
102-303DU	1/2" MIP x 1/2" FIP	4.07	1.63	2.32	0.47
102-304DU	3/4" MIP x 3/4" FIP	4.45	1.79	2.32	0.59

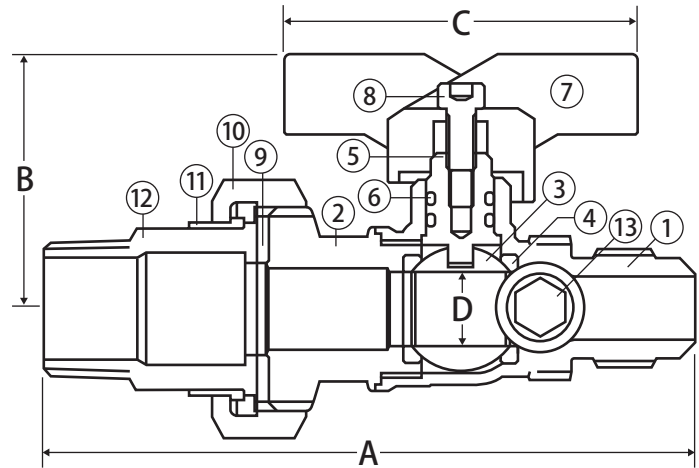
# Gas Ball Valve



## 2 Piece • Male Dielectric Union End x Flare Connection • 600 WOG • with Side Tap



T-203DU MIP x FL



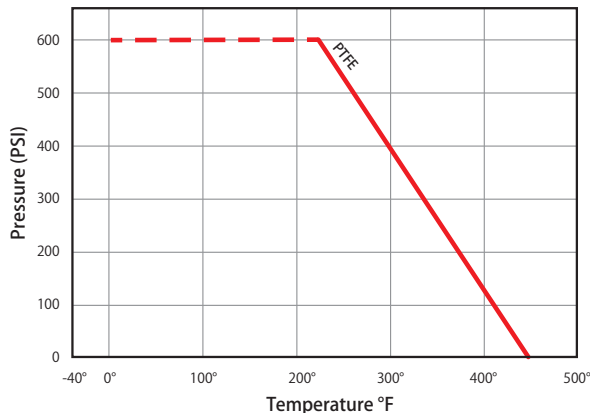
### Features

- Eliminates need for test tee and labor to install
- Ideal for use outside in extremely cold climates
- Removable plug enables port for pressure gauge
- Valve can be locked in the closed position by reversing the handle
- 2 Viton® o-rings
- 1/8" side tap
- Meets the NFPA 58 dielectric requirement
- 100% leak tested
- Made in Italy
- Leakproof stem - Lifetime Warranty

### Approvals

- CSA Certified
  - ANSI Z21.15 (.5 PSIG)
  - ASME B16.44 (5 PSI)
  - CGA CR91 (5 PSIG)
- ANSI B1.20.1
- Meets or exceeds applicable part of UL: YSDT - LP Gas Shut-off valves (600PSI)
- MSS SP-110
- Flare Connection in accordance with NFPA 54/ANSI Z223.1

### Valve Seat Rating 600 WOG



### Material Specifications

No.	Part	Materials
1	Body	Brass - CW617N
2	End Connection	Brass - CW617N
3	Ball	Chrome Plated Brass - CW614N
4	Seat (2)	PTFE
5	Stem	Brass - CW614N
6	Stem O-ring (2)	Viton®
7	Handle	Aluminum
8	Handle Screw	Steel - Geomet® Plated
9	Gasket	Buna-N
10	Union Nut	Brass - CW617N
11	Dielectric Ring	Nylon 6
12	Tail Piece	Brass - CW614N
13	Side Tap Plug	Brass - CW614N

### Dimensions

Part No.	Size	A	B	C	D
102-403DU	1/2" MIP x 1/2" FL	4.43	1.63	2.32	0.47

LIT-JV-C 082018



# Gas Ball Valve

2 Piece • Threaded Connection • 600 WOG • with Side Tap



**T-203 FIP x FIP**

CRN# 0C16887.5469870YTN

### Features

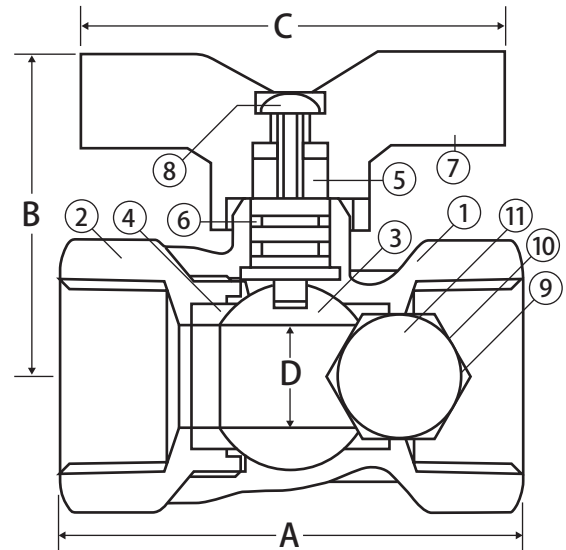
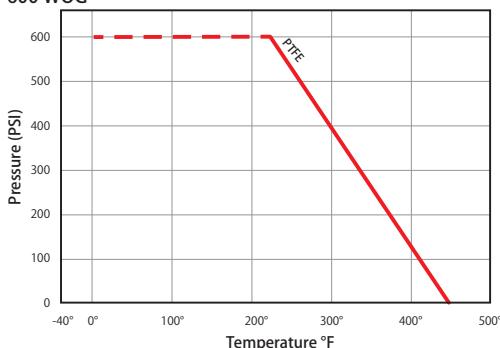
- Eliminates need for test tee and labor to install
- Ideal for use outside in extremely cold climates
- Removable plug enables port for pressure gauge
- Valve can be locked in the closed position by reversing the handle
- 2 Viton® o-rings
- 1/8" side tap
- 100% leak tested
- Made in Italy
- Leakproof stem - Lifetime Warranty
- For sizes above 3/4" use T-100STN

### Approvals

- UL Listed
  - YQNZ - Compressed gas shut-off valves
  - YRPV - Gas shut-off valves
  - YSDT - LP gas shut-off valves
  - MHKZ - Manual valves
  - YRBX - Flammable liquid shut-off valves
  - SFJQ - Valves, refrigerant
- CSA Certified
  - ANSI Z21.15 (.5 PSIG)
  - ASME B16.44 (5 PSIG)
  - CGA CR91 (5 PSIG)
- ANSI B1.20.1
- MSS SP-110

### Valve Seat Rating

600 WOG



### Material Specifications

No.	Part	Materials
1	Body	Brass - CW617N
2	End Connection	Brass - CW617N
3	Ball	Chrome Plated Brass - CW614N
4	Seat (2)	PTFE
5	Stem	Brass - CW614N
6	Stem O-ring (2)	Viton®
7	Handle	Aluminum
8	Handle Screw	Steel - Geomet® Plated
9	Side Tap Plug	Brass - CW614N
10	Side Tap Washer	Buna-N
11	Side Tap Cap	Brass - CW614N

### Dimensions

Part No.	Size	A	B	C	D
102-301	1/4"	1.99	1.63	2.32	0.39
102-302	3/8"	1.99	1.63	2.32	0.47
102-303	1/2"	2.45	1.63	2.32	0.47
102-304	3/4"	2.63	1.69	2.32	0.59

# Gas Ball Valve



2 Piece • Flare Connection • 600 WOG • with Side Tap



T-203 FL x FL

CRN# 0C16887.5469870YTN

### Features

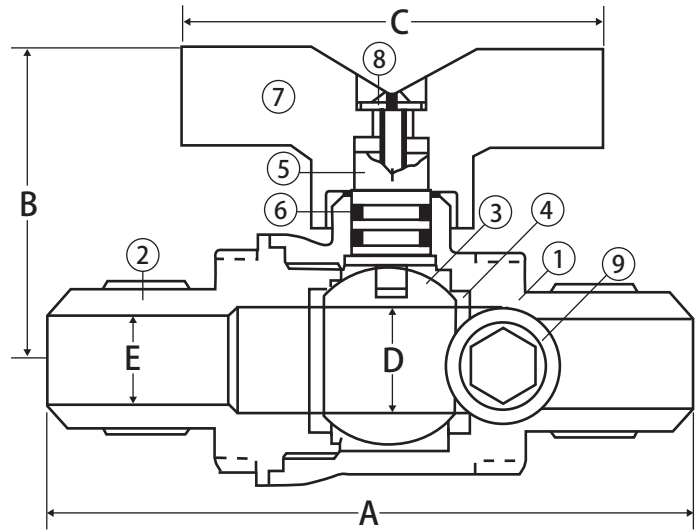
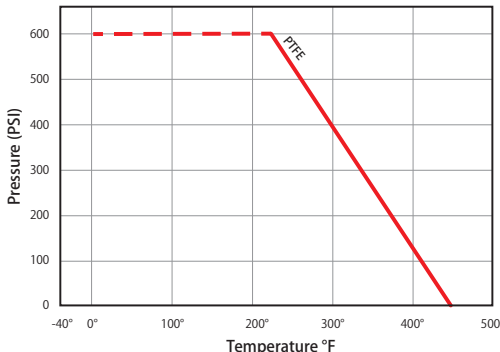
- Eliminates need for test tee and labor to install
- Ideal for use outside in extremely cold climates
- Removable plug enables port for pressure gauge
- Valve can be locked in the closed position by reversing the handle
- 2 Viton® o-rings
- 1/8" side tap
- 100% leak tested
- Made in Italy
- Leakproof stem - Lifetime Warranty

### Approvals

- UL Listed
  - YQNZ - Compressed gas shut-off valves
  - YRPV - Gas shut-off valves
  - YSDT - LP gas shut-off valves
  - MHKZ - Manual valves
  - YRBX - Flammable liquid shut-off valves
  - SFJQ - Valves, refrigerant
- CSA Certified
  - ANSI Z21.15 (.5 PSIG)
  - ASME B16.44 (5 PSI)
  - CGA CR91 (5 PSIG)
- ANSI B1.20.1
- MSS SP-110
- Flare Connection in accordance with NFPA 54/ANSI Z223.1

### Valve Seat Rating

600 WOG



### Material Specifications

No.	Part	Materials
1	Body	Brass - CW617N
2	End Connection	Brass - CW617N
3	Ball	Chrome Plated Brass - CW614N
4	Seat (2)	PTFE
5	Stem	Brass - CW614N
6	Stem O-ring (2)	Viton®
7	Handle	Aluminum
8	Handle Screw	Steel - Geomet® Plated
9	Side Tap Plug	Brass - CW614N

### Dimensions

Part No.	Size	A	B	C	D	E
102-402	3/8" FL x 3/8" FL	2.91	1.63	2.32	0.47	0.28
102-403	1/2" FL x 1/2" FL	3.25	1.63	2.32	0.47	0.40
102-404	5/8" FL x 5/8" FL	3.62	1.69	2.32	0.59	0.50

LT-JV-C 082018

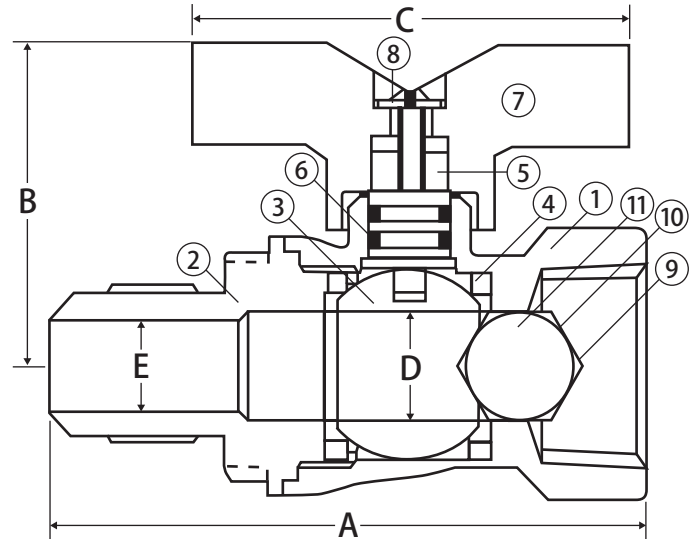
# Gas Ball Valve

2 Piece • Flare x Female Connection • 600 WOG • with Side Tap



**T-203 FL x FIP**

CRN# 0C16887.5469870YTN



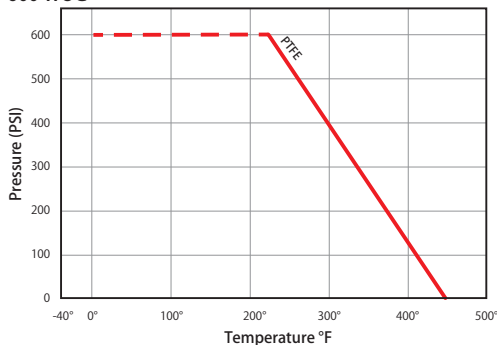
### Features

- Eliminates need for test tee and labor to install
- Ideal for use outside in extremely cold climates
- Removable plug enables port for pressure gauge
- Valve can be locked in the closed position by reversing the handle
- 2 Viton® o-rings
- 1/8" side tap
- 100% leak tested
- Made in Italy
- Leakproof stem - Lifetime Warranty

### Approvals

- UL Listed
  - YQNZ - Compressed gas shut-off valves
  - YRPV - Gas shut-off valves
  - YSDT - LP gas shut-off valves
  - MHKZ - Manual valves
  - YRBX - Flammable liquid shut-off valves
  - SFJQ - Valves, refrigerant
- CSA Certified
  - ANSI Z21.15 (.5 PSIG)
  - ASME B16.44 (5 PSIG)
  - CGA CR91 (5 PSIG)
- ANSI B1.20.1
- MSS SP-110
- Flare Connection in accordance with NFPA 54/ANSI Z223.1

### Valve Seat Rating 600 WOG



### Material Specifications

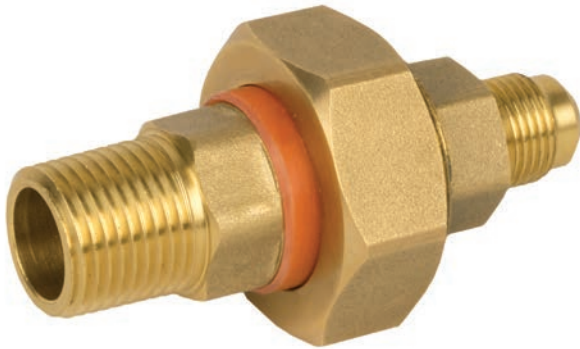
No.	Part	Materials
1	Body	Brass - CW617N
2	End Connection	Brass - CW617N
3	Ball	Chrome Plated Brass - CW614N
4	Seat (2)	PTFE
5	Stem	Brass - CW614N
6	Stem O-ring (2)	Viton®
7	Handle	Aluminum
8	Handle Screw	Steel - Geomet® Plated
9	Side Tap Plug	Brass - CW614N
10	Side Tap Washer	Buna-N
11	Side Tap Cap	Brass - CW614N

### Dimensions

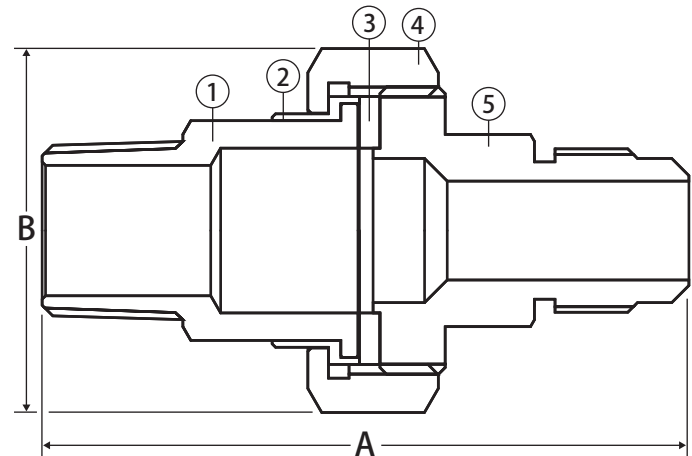
Part No.	Size	A	B	C	D	E
102-405	1/2" FL x 1/2" FIP	2.87	1.63	2.32	0.47	0.40

# LP Dielectric Union

## Brass MIP x Flare, 250 PSI



**Brass MIP x Flare**



### Features

- Meets the NFPA 58 dielectric requirement
- Prevents accelerated corrosion
- -40° F to 180° F - HNBR Seal

### Approvals

- ANSI B1.20.1
- Flare Connection in accordance with NFPA 54/ANSI Z223.1

**WARNING:** This product can expose you to chemicals including lead, which is known to the State of California to cause cancer, and lead, which is known to the State of California to cause birth defects or other reproductive harm. For more information go to [www.P65Warnings.ca.gov](http://www.P65Warnings.ca.gov).

### Material Specifications

No.	Part	Materials
1	Tail Piece	Brass - 37700
2	O-ring	PE Plastic
3	Gasket	HNBR
4	Nut	Brass - 37700
5	Body	Brass - 37700

### Dimensions

Part No.	Size	A	B
703-102	1/2" MIP x 3/8" FL	3.17	1.77
703-103	1/2" MIP x 1/2" FL	3.42	1.77
703-104	1/2" MIP x 5/8" FL	3.54	1.77
704-102	3/4" MIP x 3/8" FL	3.55	2.09
704-103	3/4" MIP x 1/2" FL	3.69	2.09
704-104	3/4" MIP x 5/8" FL	3.88	2.09

LT-JV-C 082018

# Gas Ball Valve

## 2 Piece • Threaded Connection • 400 WOG



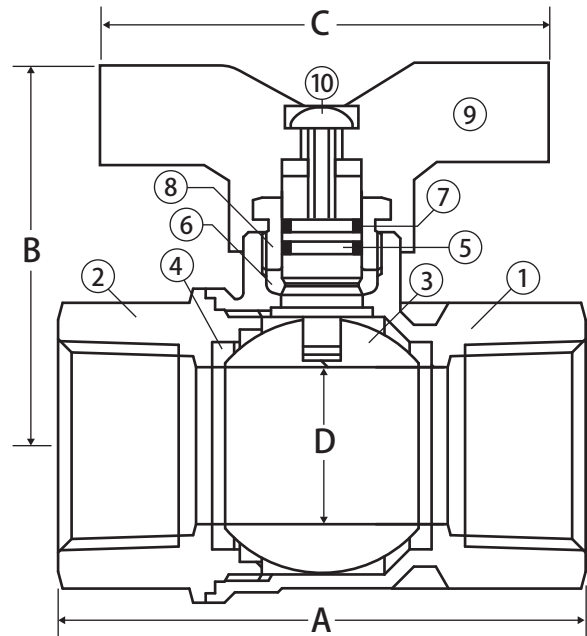
Teardrop Handle



T-handle

**T-205**

CRN# 0C16887.5469870YTN



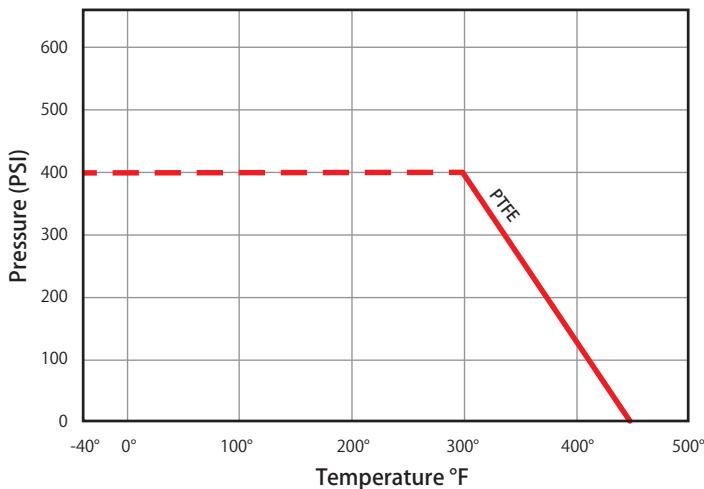
### Features

- Valve can be locked in the closed position by reversing the handle
- Triple sealing stem with 2 Viton® o-rings and Teflon® seal
- 100% leak tested
- 100% Made in Italy
- Leakproof stem - Lifetime Warranty

### Approvals

- CSA Certified
  - ANSI Z21.15 (.5 PSIG)
  - CGA 3.16 (125 PSIG)
- ANSI B1.20
- MSS SP-110

### Valve Seat Rating 400 WOG



### Material Specifications

No.	Part	Materials
1	Body	Brass - CW617N
2	End Connection	Brass - CW617N
3	Ball	Chrome Plated Brass - CW617N
4	Seat (2)	PTFE
5	Stem	Brass - CW614N
6	Packing	PTFE
7	Stem O-ring (2)	Viton®
8	Packing Gland	Brass - CW614N
9	Handle	Aluminum
10	Handle Screw	Steel - Geomet® Plated

### Dimensions

Part No.	Size	A	B	C	D
Yellow Teardrop Handle					
102-513	1/2" FIP	2.23	1.50	2.32	0.39
102-514	3/4" FIP	2.46	1.54	2.32	0.59
Red T-handle					
102-503	1/2" FIP	2.23	1.73	2.32	0.39
102-504	3/4" FIP	2.46	1.77	2.32	0.59
102-505	1" FIP	3.08	2.21	2.32	0.79

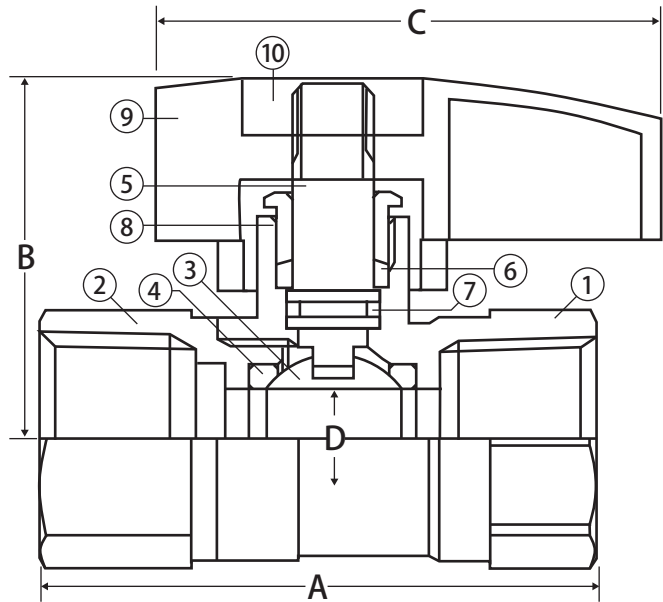


**WARNING:** This product can expose you to chemicals including lead, which is known to the State of California to cause cancer, and lead, which is known to the State of California to cause birth defects or other reproductive harm. For more information go to [www.P65Warnings.ca.gov](http://www.P65Warnings.ca.gov).

# Gas Ball Valve



## 2 Piece • Threaded Connection



### Features

- Gland follower and single o-ring stem design
- Valve can be locked in the open or closed position by reversing the handle
- 100% leak tested

### Approvals

- UL Listed (1/2" - 3/4")
  - YSDT - LP gas shut-off valves
- CSA Certified
  - CGA 3.16 (125 PSIG)
  - ANSI Z21.15 (.5 PSIG)
  - CGA CR91 (5 PSIG)
  - ASME B16.44 (5 PSIG)
  - ASME B16.33 (125 PSIG)
- ANSI B1.20.1

### Pressure Rating

- 175 PSIG
- Temp range: -20°F to 300°F
- MSS SP-110

**WARNING:** This product can expose you to chemicals including lead, which is known to the State of California to cause cancer, and lead, which is known to the State of California to cause birth defects or other reproductive harm. For more information go to [www.P65Warnings.ca.gov](http://www.P65Warnings.ca.gov).

### Material Specifications

No.	Part	Materials
1	Body	Brass - C37700
2	End Connection	Brass - C37700
3	Ball	Chrome Plated Brass - C37700
4	Seat (2)	PTFE
5	Stem	Brass - C37700
6	Packing	PTFE
7	Stem O-ring	Buna-N
8	Packing Gland	Brass - C37700
9	Handle	Aluminum
10	Handle Nut	Steel - Chrome Plated

### Dimensions

Part No.	Size	A	B	C	D
Yellow Handle					
102-603	1/2"	2.20	1.44	1.97	0.39
102-604	3/4"	2.35	1.57	1.97	0.59
102-605	1"	2.87	1.69	1.97	0.75
Red Handle					
102-623	1/2"	2.20	1.44	1.97	0.39
102-624	3/4"	2.35	1.57	1.97	0.59
102-625	1"	2.87	1.69	1.97	0.75

LIT-JV-C 082018

# Gas Ball Valve

## 2 Piece • Flare Connection • 175 WOG

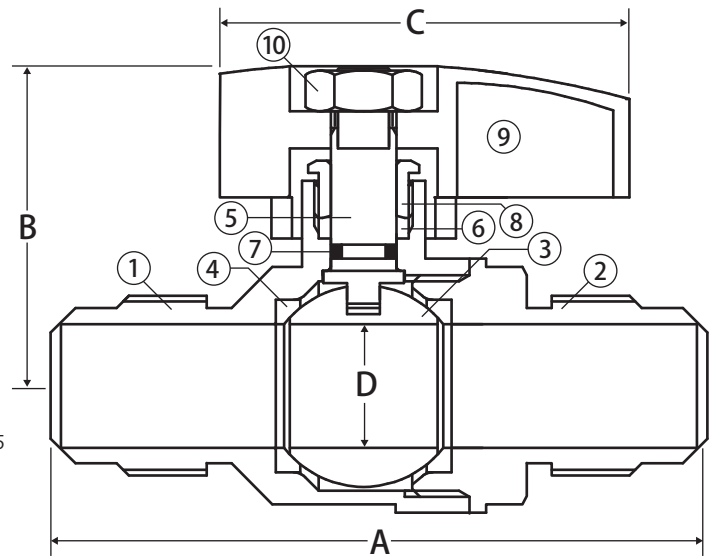


Flare x Flare



Flare x FIP  
**T-2004C**

CRN# OC16654.5



### Features

- Gland follower and single o-ring stem design
- Valve can be locked in the closed position by reversing the handle
- Plastic caps to protect flare connection and threads
- 100% leak tested

### Approvals

- UL Listed
  - YSDT - LP gas shut-off valves
- CSA Certified
  - ANSI Z21.15 (.5 PSIG) (5/8")
- Flare Connection in accordance with NFPA 54/ANSI Z223.1

### Pressure Rating

- 175 PSIG
- Temp range: -20°F to 300°F
- MSS SP-110



**WARNING:** This product can expose you to chemicals including lead, which is known to the State of California to cause cancer, and lead, which is known to the State of California to cause birth defects or other reproductive harm. For more information go to [www.P65Warnings.ca.gov](http://www.P65Warnings.ca.gov).

### Material Specifications

No.	Part	Materials
1	Body	Brass - C37700
2	End Connection	Brass - C37700
3	Ball	Chrome Plated Brass - C37700
4	Seat (2)	PTFE
5	Stem	Brass - C37700
6	Packing	PTFE
7	Stem O-ring	Buna-N
8	Packing Gland	Brass - C37700
9	Handle	Aluminum
10	Handle Nut	Steel - Chrome Plated

### Dimensions

Part No.	Size	A	B	C	D
Flare x Flare					
102-612	3/8"	2.42	1.44	1.97	0.28
102-613	1/2"	2.68	1.44	1.97	0.39
102-614	5/8"	3.12	1.52	1.97	0.47
Flare x FIP					
102-633	1/2"	0.99	0.57	1.97	0.39

# Lockwing

## Utility Gas Ball Valve • Full Port • 175 PSIG



Brass

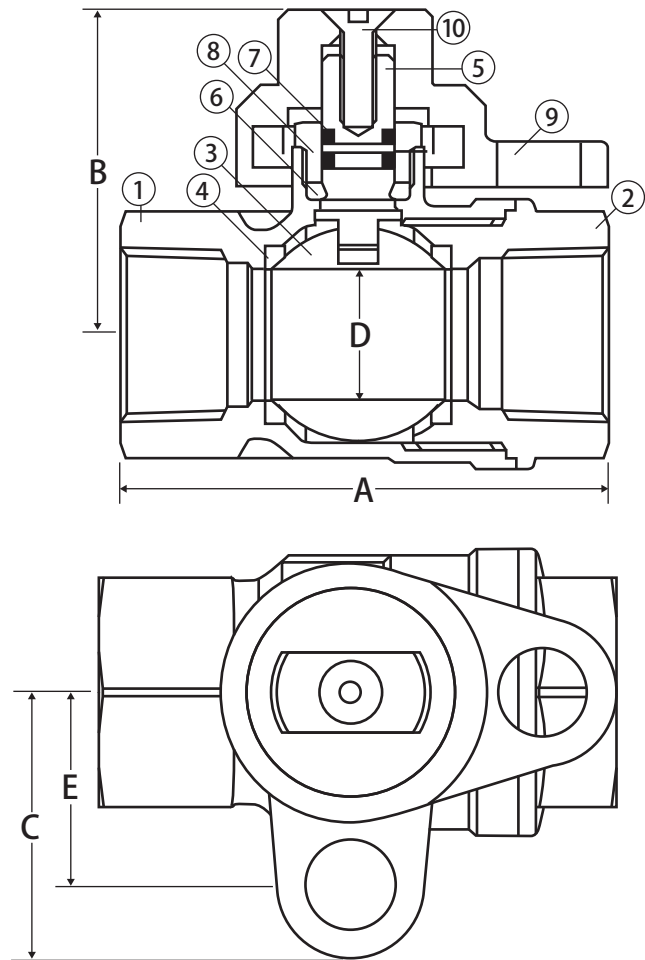


Painted



T.E.A. Coated

**175-LWN**



### Features

- Tamper resistant lockwing cap
- 2 Viton® o-rings
- Full port design to accommodate industry leading stop changers
- Lockwing accommodates standard barrel locks
- Maintenance free design
- 100% leak tested
- 100% Made in Italy
- Leakproof stem - Lifetime Warranty

### Approvals

- CSA Certified
  - CGA 3.16 (125G)
  - ANSI B16.33 (125G)
- Meets or exceeds applicable part of DOT 192
- MSS SP-110

### Pressure Rating

- 175 PSIG
- Temp range: -40°F to 300°F

**WARNING:** This product can expose you to chemicals including lead, which is known to the State of California to cause cancer, and lead, which is known to the State of California to cause birth defects or other reproductive harm. For more information go to [www.P65Warnings.ca.gov](http://www.P65Warnings.ca.gov).

### Material Specifications

No.	Part	Materials
1	Body*	Brass - CW617N
2	End Connection*	Brass - CW617N
3	Ball	Chrome Plated Brass - CW617N
4	Seat (2)	Hostaflon® TFM 1600
5	Stem	Brass - CW614N
6	Packing	Buna-N
7	Stem O-ring (2)	Viton®
8	Packing Gland	Brass - CW614N
9	Lockwing Cap*	Brass - CW617N
10	Screw	304 Stainless Steel

\*Component may be T.E.A. coated or AGA painted depending upon selection

### Dimensions

Part No.	Size	A	B	C	D	E
240-003_*	1/2"	2.74	1.87	1.50	0.59	1.08
240-004_	3/4"	2.91	1.87	1.50	0.79	1.08
240-005_	1"	3.40	2.24	1.73	0.97	1.30
240-006_	1-1/4"	3.82	2.46	1.93	1.23	1.50
240-007_	1-1/2"	4.21	3.03	2.20	1.49	1.73
240-008_	2"	5.00	3.33	2.52	1.99	2.05

\_ = Specify coating: B = Brass, P = Painted, T = T.E.A. Coated

\*Note: Only brass and painted available for 1/2"

LT-JV-C 082018



# Lockwing

## Utility Gas Ball Valve • Full Port • 175 PSIG with Insulated Tail Piece



Brass

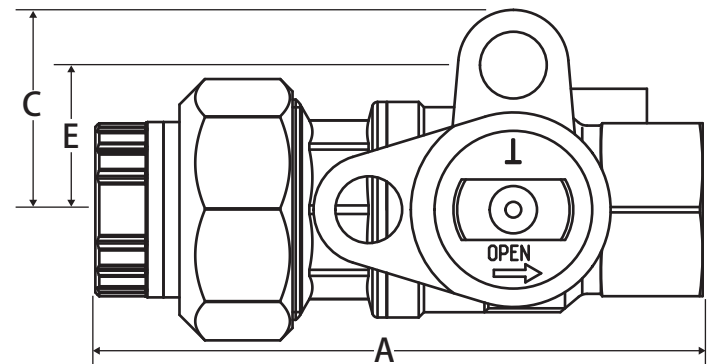
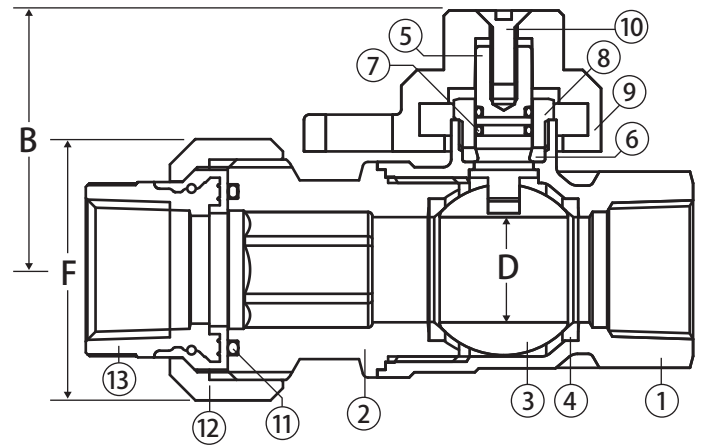


Painted

**175-LWIN**



T.E.A. Coated



### Features

- Tamper resistant lockwing cap
- 2 Viton® o-rings
- Full port design to accommodate industry leading stop changers
- Lockwing accommodates standard barrel locks
- Maintenance free design
- 100% leak tested
- 100% Made in Italy
- Leakproof stem - Lifetime Warranty

### Approvals

- CSA Certified (3/4" - 1")
  - CGA 3.16 (125G)
  - ANSI B16.33 (125G)
- Meets or exceeds applicable part of DOT 192
- MSS SP-110

### Pressure Rating

- 175 PSIG
- Temp range: -40°F to 300°F



**WARNING:** This product can expose you to chemicals including lead, which is known to the State of California to cause cancer, and lead, which is known to the State of California to cause birth defects or other reproductive harm. For more information go to [www.P65Warnings.ca.gov](http://www.P65Warnings.ca.gov).

### Material Specifications

No.	Part	Materials
1	Body*	Brass - CW617N
2	End Connection*	Brass - CW617N
3	Ball	Chrome Plated Brass - CW617N
4	Seat (2)	Hostaflon® TFM 1600
5	Stem	Brass - CW614N
6	Packing	Buna-N
7	Stem O-ring (2)	Viton®
8	Packing Gland	Brass - CW614N
9	Lockwing Cap*	Brass - CW617N
10	Screw	304 Stainless Steel
11	Union O-ring	Viton®
12	Union Nut*	Brass - CW617N
13	Insulated Tail Piece*	Zytel® / Brass - CW614N

\*Component may be T.E.A. coated or AGA painted depending upon selection

### Dimensions

Part No.	Size	A	B	C	D	E	F
241-004_	3/4"	4.58	1.87	1.50	0.79	1.08	1.81
241-005_	1"	5.49	2.15	1.73	0.97	1.30	2.40
241-006_	1-1/4"	5.78	2.21	2.00	1.23	1.50	2.57

\_ = Specify coating: D = Brass, P = Painted, T = T.E.A. Coated

# Lockwing

## Utility Gas Ball Valve • Full Port • 125 PSIG



Brass

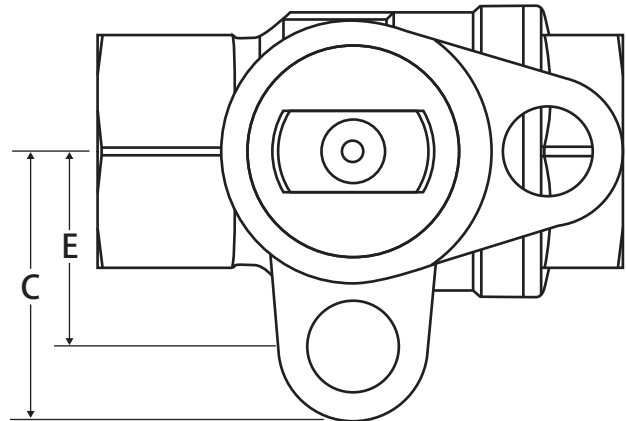
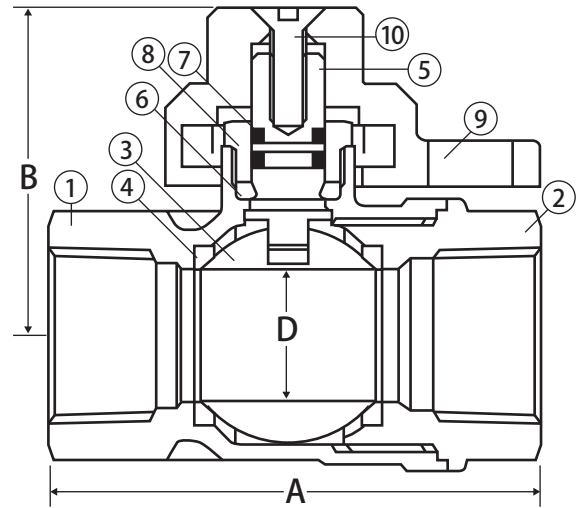


Painted



MIP x FIP

**125-LWN**



### Features

- Tamper resistant lockwing cap
- 2 Viton® o-rings
- Full port design to accommodate industry leading stop changers
- Lockwing accommodates standard barrel locks
- Maintenance free design
- 100% leak tested
- 100% Made in Italy
- Leakproof stem - Lifetime Warranty

### Approvals

- CSA Certified
  - CGA 3.16 (125G)
  - ANSI B16.33 (125G)
- Meets or exceeds applicable part of DOT 192
- MSS SP-110

### Pressure Rating

- 125 PSIG
- Temp range: -40°F to 300°F

**WARNING:** This product can expose you to chemicals including lead, which is known to the State of California to cause cancer, and lead, which is known to the State of California to cause birth defects or other reproductive harm. For more information go to [www.P65Warnings.ca.gov](http://www.P65Warnings.ca.gov).

### Material Specifications

No.	Part	Materials
1	Body*	Brass - CW617N
2	End Connection*	Brass - CW617N
3	Ball	Chrome Plated Brass - CW617N
4	Seat (2)	Hostaflon® TFM 1600
5	Stem	Brass - CW614N
6	Packing	Buna-N
7	Stem O-ring (2)	Viton®
8	Packing Gland	Brass - CW614N
9	Lockwing Cap*	Brass - CW617N
10	Screw	304 Stainless Steel

\*Component may be AGA painted depending upon selection

### Dimensions

Part No.	Size	A	B	C	D	E
<b>FIP x FIP</b>						
242-004_	3/4"	2.91	1.87	1.50	0.79	1.08
242-005_	1"	3.40	2.24	1.73	0.97	1.30
_ = Specify coating: B = Brass, P = Painted						
<b>MIP x FIP</b>						
246-005B	1"	3.73	2.24	1.73	0.97	1.30

LT-JV-C 082018

# Lockwing

## Utility Gas Ball Valve • Full Port • Service Bypass • 175 PSIG • with Insulated Tail Piece



175-LWIBP

### Features

- Tamper resistant lockwing cap
- 2 Viton® o-rings
- Full port design to accommodate industry leading stop changers
- Lockwing accommodates standard barrel locks
- Maintenance free design
- 100% leak tested
- 100% Made in Italy
- Leakproof stem - Lifetime Warranty
- Patented security shutter and lockwing tab
  - US Patent no. 6,648,009

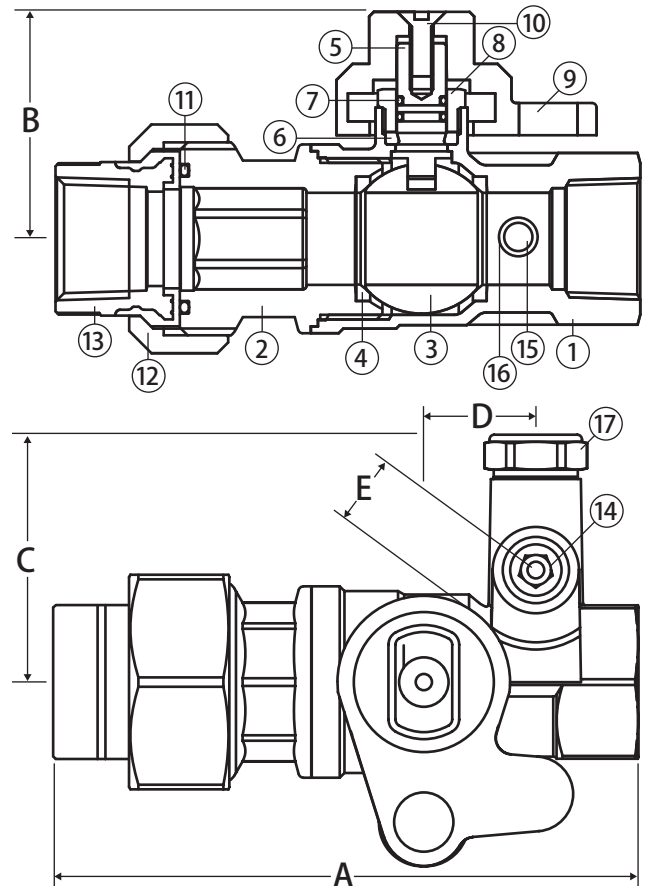
### Approvals

- CSA Certified
  - ANSI B16.33 (125G)
- Meets or exceeds applicable part of DOT 192
- MSS SP-110

### Pressure Rating

- 175 PSIG
- Temp range: -40°F to 300°F

**WARNING:** This product can expose you to chemicals including lead, which is known to the State of California to cause cancer, and lead, which is known to the State of California to cause birth defects or other reproductive harm. For more information go to [www.P65Warnings.ca.gov](http://www.P65Warnings.ca.gov).



### Material Specifications

No.	Part	Materials
1	Body	Brass - CW617N
2	End Connection	Brass - CW617N
3	Ball	Chrome Plated Brass - CW617N
4	Seat (2)	Hostaflo® TFM 1600
5	Stem	Brass - CW614N
6	Packing	Buna-N
7	Stem O-ring (2)	Viton®
8	Packing Gland	Brass - CW614N
9	Lockwing Cap	Brass - CW617N
10	Screw	304 Stainless Steel
11	Union O-ring	Viton®
12	Union Nut	Brass - CW617N
13	Insulated Tail Piece	Zytel® / Brass - CW614N
14	Bypass Plug	Brass - CW614N
15	Bypass Set Screw	Brass - CW614N
16	Bypass O-ring	Viton®
17	Bypass Cap	Brass - CW614N

### Dimensions

Part No.	Size	A	B	C	D	E
243-004D	3/4"	4.71	2.06	2.09	0.95	0.59

# Lockwing



## Utility Gas Ball Valve • Full Port • Service Bypass • 125 PSIG • with Insulated Tail Piece



125-LWIBP

### Features

- Tamper resistant lockwing cap
- 2 Viton® o-rings
- Full port design to accommodate industry leading stop changers
- Lockwing accommodates standard barrel locks
- Maintenance free design
- 100% leak tested
- 100% Made in Italy
- Leakproof stem - Lifetime Warranty
- Patented security shutter and lockwing tab
  - US Patent no. 6,648,009

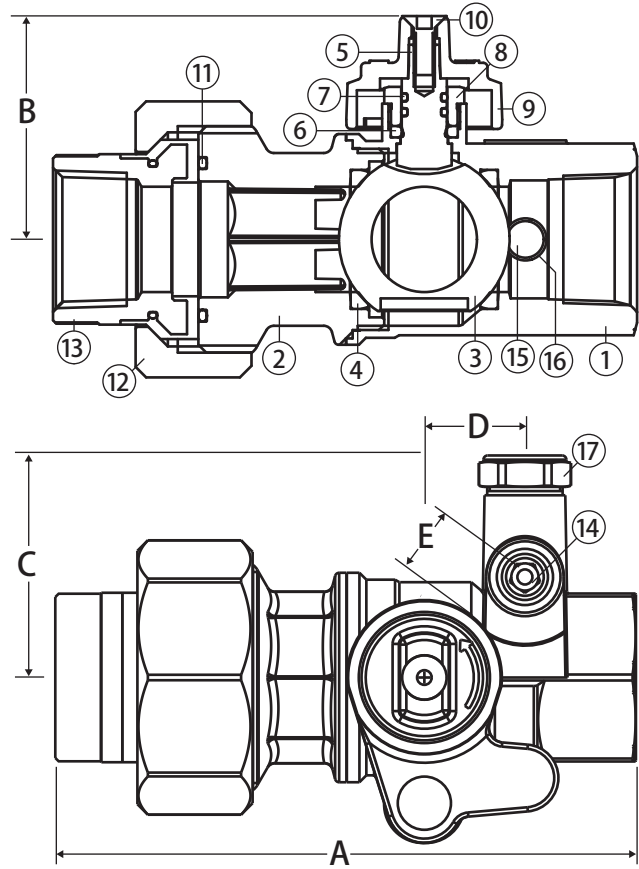
### Approvals

- Meets or exceeds applicable part of DOT 192 and ANSI B16.33
- MSS SP-110

### Pressure Rating

- 125 PSIG
- Temp range: -40°F to 300°F

**WARNING:** This product can expose you to chemicals including lead, which is known to the State of California to cause cancer, and lead, which is known to the State of California to cause birth defects or other reproductive harm. For more information go to [www.P65Warnings.ca.gov](http://www.P65Warnings.ca.gov).



### Material Specifications

No.	Part	Materials
1	Body	Brass - CW617N
2	End Connection	Brass - CW617N
3	Ball	Chrome Plated Brass - CW617N
4	Seat (2)	Hostaflo® TFM 1600
5	Stem	Brass - CW614N
6	Packing	Buna-N
7	Stem O-ring (2)	Viton®
8	Packing Gland	Brass - CW614N
9	Lockwing Cap	Brass - CW617N
10	Screw	304 Stainless Steel
11	Union O-ring	Viton®
12	Union Nut	Brass - CW617N
13	Insulated Tail Piece	Zytel® / Brass - CW614N
14	Bypass Plug	Brass - CW614N
15	Bypass Set Screw	Brass - CW614N
16	Bypass O-ring	Viton®
17	Bypass Cap	Brass - CW614N

### Dimensions

Part No.	Size	A	B	C	D	E
243-005D	1"	5.50	2.05	2.08	0.95	0.59

LT-JV-C 082018

# Lockwing

## Utility Gas Ball Valve • Full Port • Service Bypass • 175 PSIG



**175-LWBP**

### Features

- Tamper resistant lockwing cap
- 2 Viton® o-rings
- Full port design to accommodate industry leading stop changers
- Lockwing accommodates standard barrel locks
- Maintenance free design
- 100% leak tested
- 100% Made in Italy
- Leakproof stem - Lifetime Warranty
- Patented security shutter and lockwing tab
  - US Patent no. 6,648,009

### Approvals

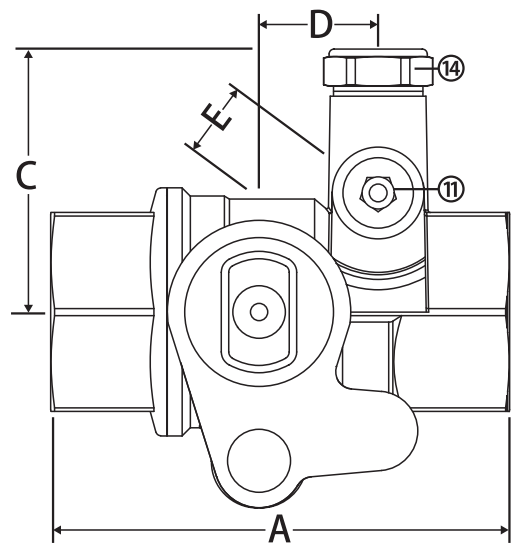
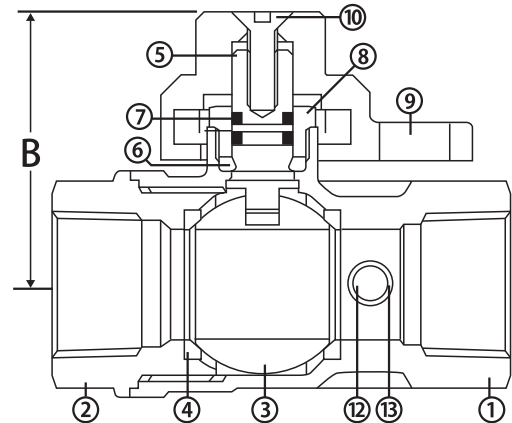
- Meets or exceeds applicable part of DOT 192 and ANSI B16.33
- MSS SP-110

### Pressure Rating

- 175 PSIG
- Temp range: -40°F to 300°F



**WARNING:** This product can expose you to chemicals including lead, which is known to the State of California to cause cancer, and lead, which is known to the State of California to cause birth defects or other reproductive harm. For more information go to [www.P65Warnings.ca.gov](http://www.P65Warnings.ca.gov).



### Material Specifications

No.	Part	Materials
1	Body	Brass - CW617N
2	End Connection	Brass - CW617N
3	Ball	Chrome Plated Brass - CW617N
4	Seat (2)	Hostaflon® TFM 1600
5	Stem	Brass - CW614N
6	Packing	Buna-N
7	Stem O-ring (2)	Viton®
8	Packing Gland	Brass - CW614N
9	Lockwing Cap	Brass - CW617N
10	Screw	304 Stainless Steel
11	Bypass Plug	Brass - CW614N
12	Bypass Set Screw	Brass - CW614N
13	Bypass O-ring	Viton®
14	Bypass Cap	Brass - CW614N

### Dimensions

Part No.	Size	A	B	C	D	E
244-004B	3/4"	3.30	2.06	2.09	0.95	0.59

# Lockwing



## Utility Gas Ball Valve • Full Port • Service Bypass • 125 PSIG



**125-LWBP**

### Features

- Tamper resistant lockwing cap
- 2 Viton® o-rings
- Full port design to accommodate industry leading stop changers
- Lockwing accommodates standard barrel locks
- Maintenance free design
- 100% leak tested
- 100% Made in Italy
- Leakproof stem - Lifetime Warranty
- Patented security shutter and lockwing tab
  - US Patent no. 6,648,009

### Approvals

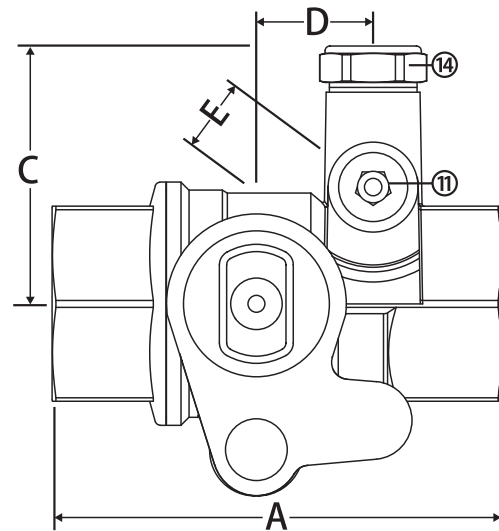
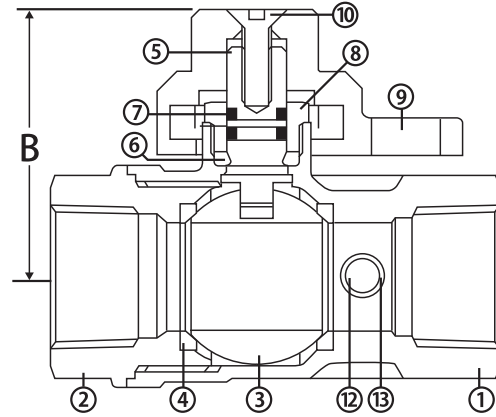
- CSA Certified
  - ANSI B16.33 (125G)
- Meets or exceeds applicable part of DOT 192

### Pressure Rating

- 125 PSIG
- Temp range: -40°F to 300°F
- MSS SP-110



**WARNING:** This product can expose you to chemicals including lead, which is known to the State of California to cause cancer, and lead, which is known to the State of California to cause birth defects or other reproductive harm. For more information go to [www.P65Warnings.ca.gov](http://www.P65Warnings.ca.gov).



### Material Specifications

No.	Part	Materials
1	Body*	Brass - CW617N
2	End Connection*	Brass - CW617N
3	Ball	Chrome Plated Brass - CW617N
4	Seat (2)	Hostaflon® TFM 1600
5	Stem	Brass - CW614N
6	Packing	Buna-N
7	Stem O-ring (2)	Viton®
8	Packing Gland	Brass - CW614N
9	Lockwing Cap*	Brass - CW617N
10	Screw	304 Stainless Steel
11	Bypass Plug*	Brass - CW614N
12	Bypass Set Screw	Brass - CW614N
13	Bypass O-ring	Viton®
14	Bypass Cap*	Brass - CW614N

\*Component may be AGA painted depending upon selection

### Dimensions

Part No.	Size	A	B	C	D	E
244-005_	1"	3.65	2.21	2.18	0.95	0.59

\_ = Specify coating: B = Brass, P = Painted

LIT-JV-C 082018

# Lockwing

## Utility Gas Ball Valve • Full Port • Service Bypass • 125 PSIG with Union Tail Piece



**125-LWUBP**

### Features

- Tamper resistant lockwing cap
- 2 Viton® o-rings
- Full port design to accommodate industry leading stop changers
- Lockwing accommodates standard barrel locks
- Maintenance free design
- 100% leak tested
- 100% Made in Italy
- Leakproof stem - Lifetime Warranty
- Patented security shutter and lockwing tab
  - US Patent no. 6,648,009

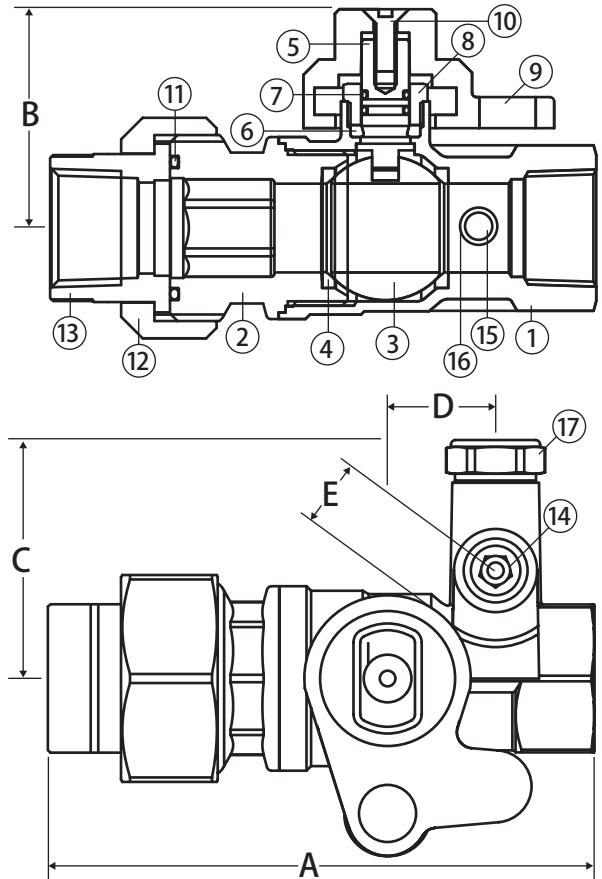
### Approvals

- Meets or exceeds applicable part of DOT 192 and ANSI B16.33
- MSS SP-110

### Pressure Rating

- 125 PSIG
- Temp range: -40°F to 300°F

**WARNING:** This product can expose you to chemicals including lead, which is known to the State of California to cause cancer, and lead, which is known to the State of California to cause birth defects or other reproductive harm. For more information go to [www.P65Warnings.ca.gov](http://www.P65Warnings.ca.gov).



### Material Specifications

No.	Part	Materials
1	Body*	Brass - CW617N
2	End Connection*	Brass - CW617N
3	Ball	Chrome Plated Brass - CW617N
4	Seat (2)	Hostafion® TFM 1600
5	Stem	Brass - CW614N
6	Packing	Buna-N
7	Stem O-ring (2)	Viton®
8	Packing Gland	Brass - CW614N
9	Lockwing Cap*	Brass - CW617N
10	Screw	304 Stainless Steel
11	Union O-ring	Viton®
12	Union Nut*	Brass - CW617N
13	Tail Piece*	Brass - CW614N
14	Bypass Plug*	Brass - CW614N
15	Bypass Set Screw	Brass - CW614N
16	Bypass O-ring	Viton®
17	Bypass Cap*	Brass - CW614N

\*Component may be AGA painted depending upon selection

### Dimensions

Part No.	Size	A	B	C	D	E
244-105_	1"	4.50	2.21	2.18	0.95	0.59

\_ = Specify coating: B = Brass, P = Painted

# Lockwing



## Utility Gas Ball Valve • Full Port • Service Bypass • 125 PSIG • with Meter Nut and Swivel Connection



125-LWBP-S

### Features


- Tamper resistant lockwing cap
- Meter nut and swivel connects directly to meter
- Lockwing accommodates standard barrel locks
- Maintenance free design
- 2 Viton® o-rings
- 100% leak tested
- 100% Made in Italy
- Leakproof stem - Lifetime Warranty
- Patented security shutter and lockwing tab
  - US Patent no. 6,648,009

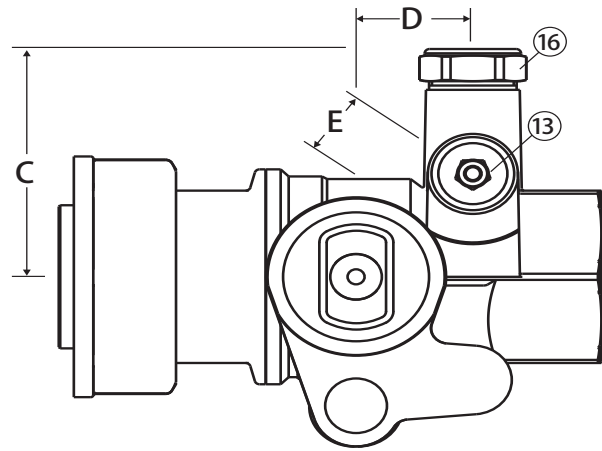
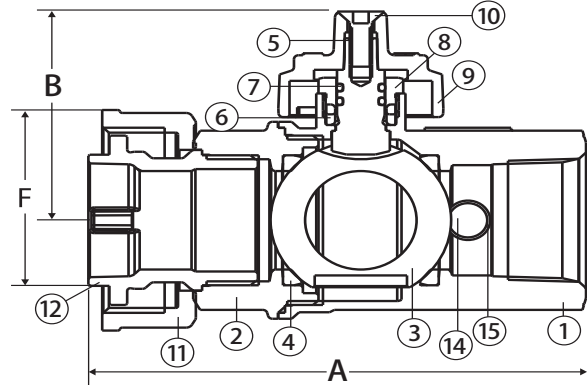
### Approvals

- CSA Certified
  - CGA 3.16 (125G)
  - ANSI B16.33 (125G)
- Meets or exceeds applicable part of DOT 192
- MSS SP-110

### Pressure Rating

- 125 PSIG
- Temp range: -40°F to 300°F

 **WARNING:** This product can expose you to chemicals including lead, which is known to the State of California to cause cancer, and lead, which is known to the State of California to cause birth defects or other reproductive harm. For more information go to [www.P65Warnings.ca.gov](http://www.P65Warnings.ca.gov).



### Material Specifications

No.	Part	Materials
1	Body	Brass - CW617N
2	End Connection	Brass - CW617N
3	Ball	Chrome Plated Brass - CW617N
4	Seat (2)	Hostaflon® TFM 1600
5	Stem	Brass - CW614N
6	Packing	Buna-N
7	Stem O-ring (2)	Viton®
8	Packing Gland	Brass - CW614N
9	Lockwing Cap	Brass - CW617N
10	Screw	304 Stainless Steel
11	Union Nut	Brass - CW617N
12	Tail Piece	Brass - CW617N
13	Bypass Plug	Brass - CW614N
14	Bypass Set Screw	Brass - CW614N
15	Bypass O-ring	Viton®
16	Bypass Cap	Brass - CW614N

### Dimensions

Part No.	Size	A	B	C	D	E	F
245-005B	1"	4.21	2.09	2.09	0.94	0.59	20LT
245-105B	1"	4.21	2.09	2.09	0.94	0.59	30LT

LT-JV-C 082018

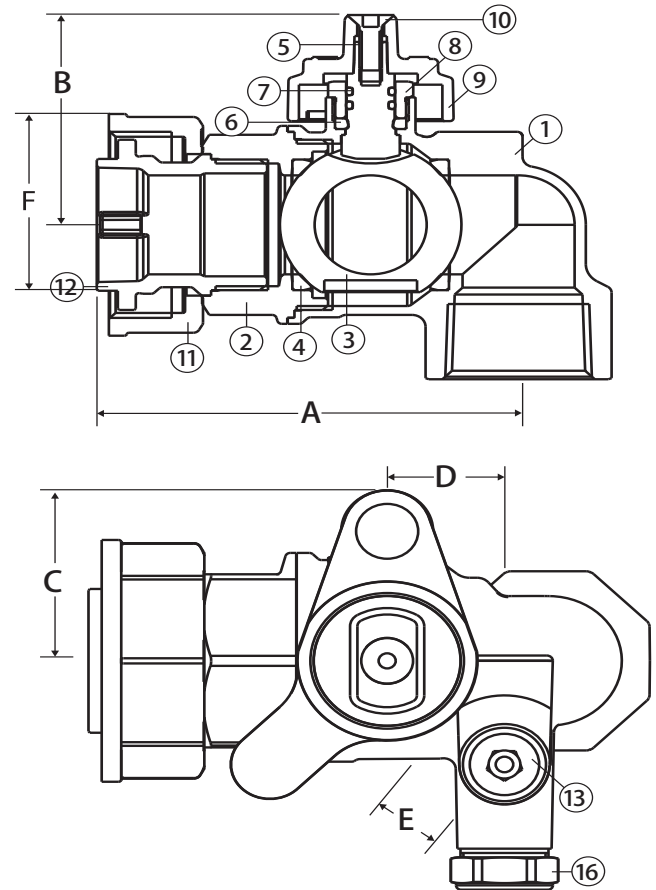


# Lockwing

## Utility Gas Ball Valve • Full Port • Service Bypass • 125 PSIG • with Meter Nut Swivel Connection • with Angle Body



125-LWBP-SA



### Features

- Tamper resistant lockwing cap
- Meter nut and swivel connects directly to meter
- Lockwing accommodates standard barrel locks
- Maintenance free design
- 2 Viton® o-rings
- 100% leak tested
- 100% Made in Italy
- Leakproof stem - Lifetime Warranty
- Patented security shutter and lockwing tab
  - US Patent no. 6,648,009

### Approvals

- CSA Certified
  - CGA 3.16 (125G)
  - ANSI B16.33 (125G)
- Meets or exceeds applicable part of DOT 192
- MSS SP-110

### Pressure Rating

- 125 PSIG
- Temp range: -40°F to 300°F

**WARNING:** This product can expose you to chemicals including lead, which is known to the State of California to cause cancer, and lead, which is known to the State of California to cause birth defects or other reproductive harm. For more information go to [www.P65Warnings.ca.gov](http://www.P65Warnings.ca.gov).

### Material Specifications

No.	Part	Materials
1	Body	Brass - CW617N
2	End Connection	Brass - CW617N
3	Ball	Chrome Plated Brass - CW617N
4	Seat (2)	Hostaflo® TFM 1600
5	Stem	Brass - CW614N
6	Packing	Buna-N
7	Stem O-ring (2)	Viton®
8	Packing Gland	Brass - CW614N
9	Lockwing Cap	Brass - CW617N
10	Screw	304 Stainless Steel
11	Union Nut	Brass - CW617N
12	Tail Piece	Brass - CW614N
13	Bypass Plug	Brass - CW614N
14	Bypass Set Screw*	Brass - CW614N
15	Bypass O-ring*	Viton®
16	Bypass Cap	Brass - CW614N

\*Not Shown

### Dimensions

Part No.	Size	A	B	C	D	E	F
245-005BA	1"	3.52	2.09	2.09	0.94	0.59	20LT
245-105BA	1"	3.52	2.09	2.09	0.94	0.59	30LT

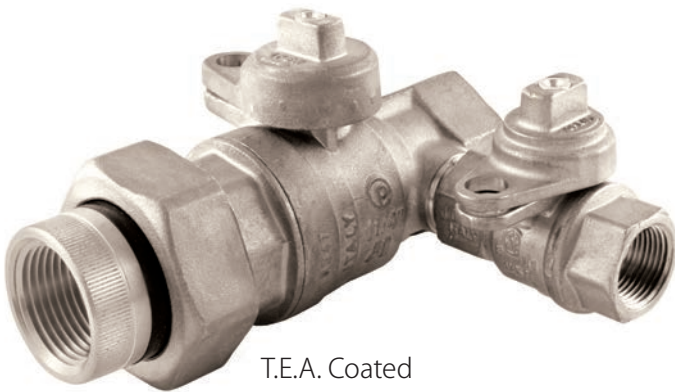
# Commercial Lockwing



## Utility Gas Ball Valve • Full Port • Service Bypass • 175 PSIG • with Insulated Tail Piece



Brass



T.E.A. Coated

### 175-LWIBP Commercial

#### Features

- Tamper resistant lockwing cap
- 2 Viton® o-rings
- Full port design to accommodate industry leading stop changers
- Lockwing accommodates standard barrel locks
- Maintenance free design
- 100% leak tested
- 100% Made in Italy
- Leakproof stem - Lifetime Warranty
- 3/4" bypass valve

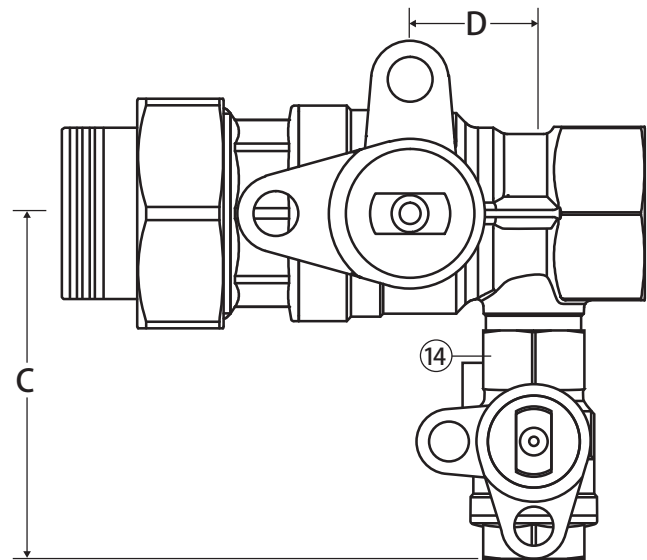
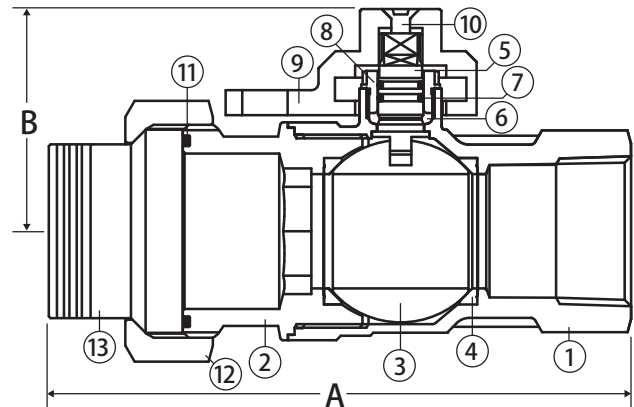
#### Approvals

- Meets or exceeds applicable part of DOT 192 and ANSI B16.33
- MSS SP-110

#### Pressure Rating

- 175 PSIG
- Temp range: -40°F to 300°F

**WARNING:** This product can expose you to chemicals including lead, which is known to the State of California to cause cancer, and lead, which is known to the State of California to cause birth defects or other reproductive harm. For more information go to [www.P65Warnings.ca.gov](http://www.P65Warnings.ca.gov).



#### Material Specifications

No.	Part	Materials
1	Body*	Brass - CW617N
2	End Connection*	Brass - CW617N
3	Ball	Chrome Plated Brass - CW617N
4	Seat (2)	Hostaflon® TFM 1600
5	Stem	Brass - CW614N
6	Packing	Buna-N
7	Stem O-ring (2)	Viton®
8	Packing Gland	Brass - CW614N
9	Lockwing Cap*	Brass - CW617N
10	Screw	304 Stainless Steel
11	Union O-ring	Viton®
12	Union Nut*	Brass - CW617N
13	Insulated Tail Piece*	Zytel® / Brass - CW614N
14	Bypass Valve*	(See 175-LWN Spec Sheet)

\*Components may be TEA coated depending on selection

#### Dimensions

Part No.	Size	A	B	C	D
243-006_	1-1/4"	6.73	2.47	4.16	1.38

\_ = Specify coating: D = Brass, T = T.E.A. Coated

LT-JV-C 082018

# Commercial Lockwing

Utility Gas Ball Valve • Full Port • Service Bypass • 175 PSIG •  
with Insulated Tail Piece



Brass  
175-LWIBP Commercial

### Features

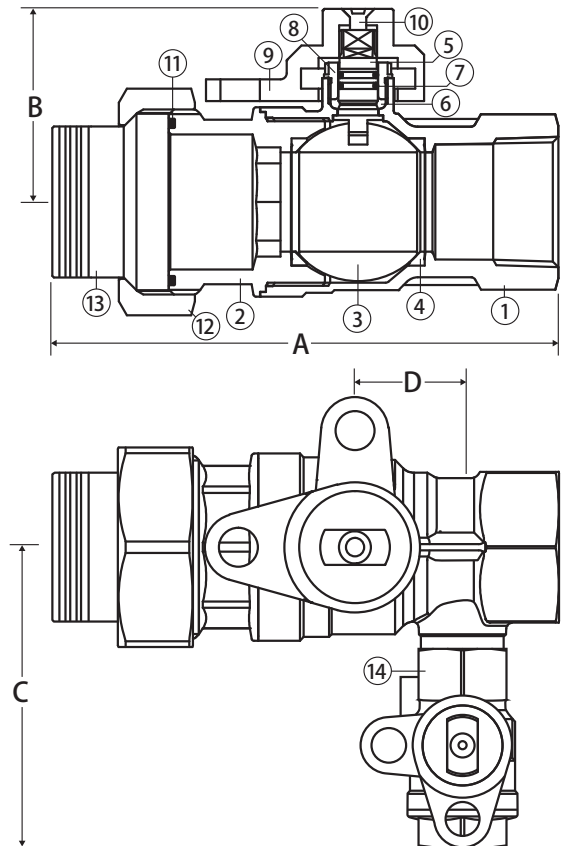
- Tamper resistant lockwing cap
- 2 Viton® o-rings
- Full port design to accommodate industry leading stop changers
- Lockwing accommodates standard barrel locks
- Maintenance free design
- 100% leak tested
- 100% Made in Italy
- Leakproof stem - Lifetime Warranty
- 3/4" bypass valve

### Approvals

- Meets or exceeds applicable part of DOT 192 and ANSI B16.33
- MSS SP-110

### Pressure Rating

- 175 PSIG
- Temp range: -40°F to 300°F



### Material Specifications

No.	Part	Materials
1	Body	Brass - CW617N
2	End Connection	Brass - CW617N
3	Ball	Chrome Plated Brass - CW617N
4	Seat (2)	Hostaflon® TFM 1600
5	Stem	Brass - CW614N
6	Packing	Buna-N
7	Stem O-ring (2)	Viton®
8	Packing Gland	Brass - CW614N
9	Lockwing Cap	Brass - CW617N
10	Screw	304 Stainless Steel
11	Union O-ring	Viton®
12	Union Nut*	Brass - CW617N
13	Insulated Tail Piece	Zytel® / Brass - CW617N
14	Bypass Valve	(See 175-LWN Spec Sheet)

\*Components may be TEA coated depending on selection

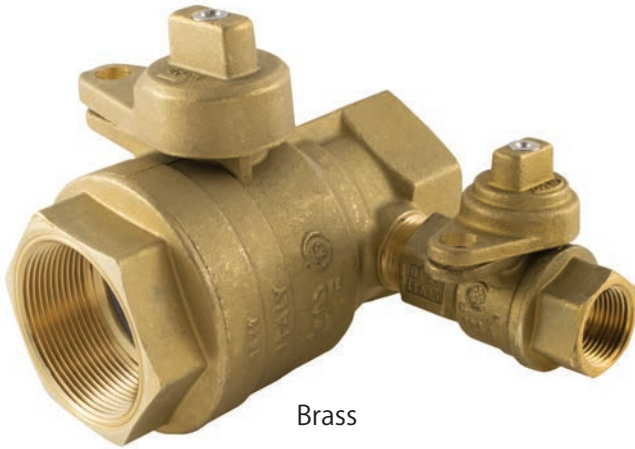
### Dimensions

Part No.	Size	A	B	C	D
243-006D	1-1/4"	6.73	2.47	4.16	1.38

# Commercial Lockwing



Utility Gas Ball Valve • Full Port • Service Bypass • 175 PSIG



Brass

175-LWBP Commercial

## Features

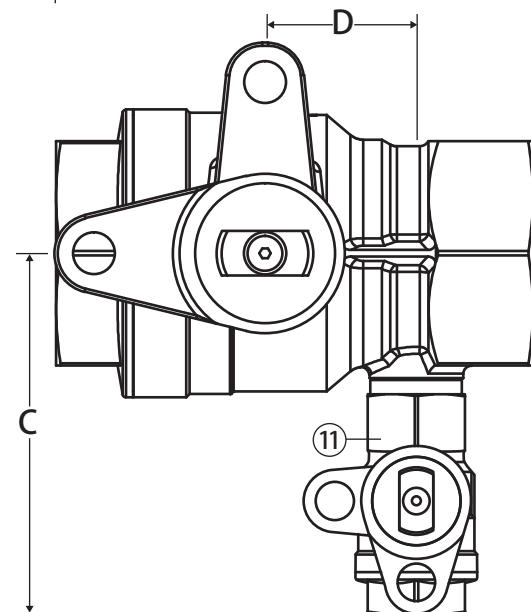
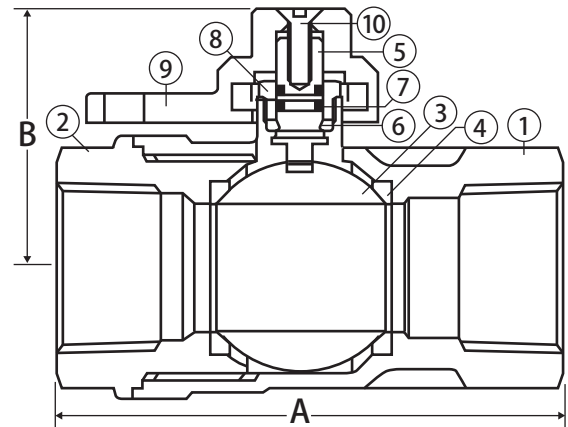
- Tamper resistant lockwing cap
- 2 Viton® o-rings
- Full port design to accommodate industry leading stop changers
- Lockwing accommodates standard barrel locks
- Maintenance free design
- 100% leak tested
- 100% Made in Italy
- Leakproof stem - Lifetime Warranty
- 3/4" bypass valve

## Approvals

- Meets or exceeds applicable part of DOT 192 and ANSI B16.33
- MSS SP-110

## Pressure Rating

- 175 PSIG
- Temp range: -40°F to 300°F



## Material Specifications

No.	Part	Materials
1	Body	Brass - CW617N
2	End Connection	Brass - CW617N
3	Ball	Chrome Plated Brass - CW617N
4	Seat (2)	Hostaflon® TFM 1600
5	Stem	Brass - CW614N
6	Packing	Buna-N
7	Stem O-ring (2)	Viton®
8	Packing Gland	Brass - CW614N
9	Lockwing Cap	Brass - CW617N
10	Screw	304 Stainless Steel
11	Bypass Valve	(See 175-LWN Spec Sheet)

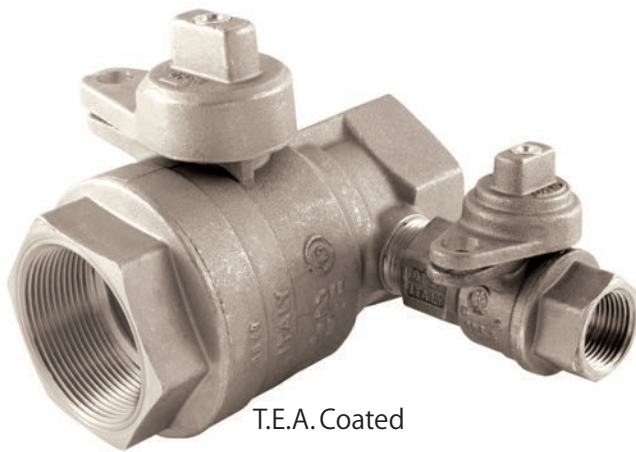
## Dimensions

Part No.	Size	A	B	C	D
244-06B	1-1/4"	4.54	2.47	4.15	1.38
244-007B	1-1/2"	4.84	3.11	4.37	1.52
244-008B	2"	5.73	3.32	4.51	1.81

LT-JV-C 082018

# Commercial Lockwing

Utility Gas Ball Valve • Full Port • Service Bypass • 175 PSIG



T.E.A. Coated

175-LWBP Commercial

### Features

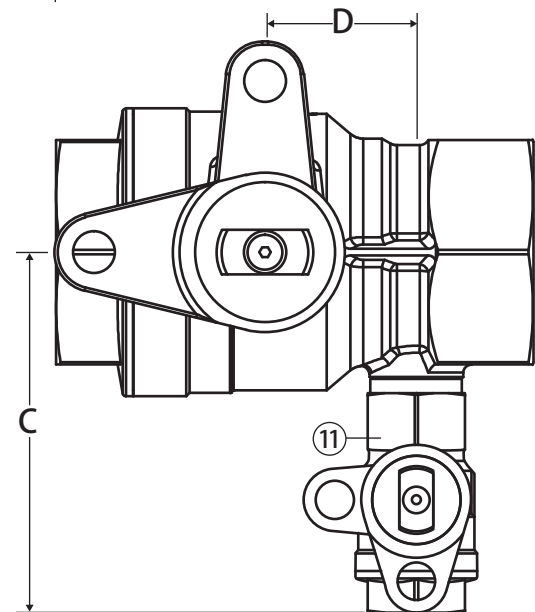
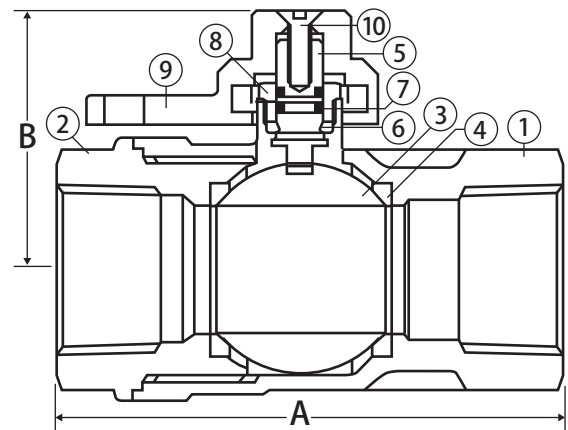
- Tamper resistant lockwing cap
- 2 Viton® o-rings
- Full port design to accommodate industry leading stop changers
- Lockwing accommodates standard barrel locks
- Maintenance free design
- 100% leak tested
- 100% Made in Italy
- Leakproof stem - Lifetime Warranty
- 3/4" bypass valve

### Approvals

- Meets or exceeds applicable part of DOT 192 and ANSI B16.33
- MSS SP-110

### Pressure Rating

- 175 PSIG
- Temp range: -40°F to 300°F



### Material Specifications

No.	Part	Materials
1	Body*	Brass - CW617N
2	End Connection*	Brass - CW617N
3	Ball	Chrome Plated Brass - CW617N
4	Seat (2)	Hostafon® TFM 1600
5	Stem	Brass - CW614N
6	Packing	Buna-N
7	Stem O-ring (2)	Viton®
8	Packing Gland	Brass - CW614N
9	Lockwing Cap*	Brass - CW617N
10	Screw	304 Stainless Steel
11	Bypass Valve*	(See 175-LWN Spec Sheet)

\*Components are TEA coated

### Dimensions

Part No.	Size	A	B	C	D
244-008T	2"	5.73	3.32	4.51	1.81

\_ = Specify coating: B = Brass, T = T.E.A. Coated

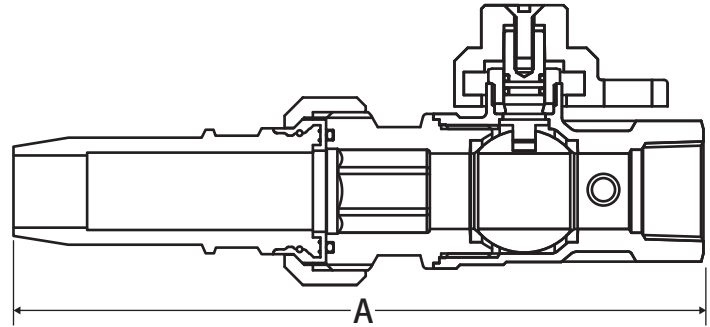
# Lockwing



## Utility Gas Ball Valve • Full Port • Service Bypass • 175 PSIG • with Insulated Extended Male Tail Piece



**175-LWIBP-EXT**



### Features

- Tamper resistant lockwing cap
- 100% leak tested
- Made in Italy
- Leakproof stem - Lifetime Warranty
- Patented security shutter and lockwing tab
  - US Patent no. 6,648,009

### Material Specifications

- See specs for 175-LWIBP

### Approvals

- Meets or exceeds applicable part of DOT 192 and ANSI B16.33
- MSS SP-110

**WARNING:** This product can expose you to chemicals including lead, which is known to the State of California to cause cancer, and lead, which is known to the State of California to cause birth defects or other reproductive harm. For more information go to [www.P65Warnings.ca.gov](http://www.P65Warnings.ca.gov).

### Dimensions

Part No.	Size	A
243-004EXT	3/4"	7.63

### Pressure Rating

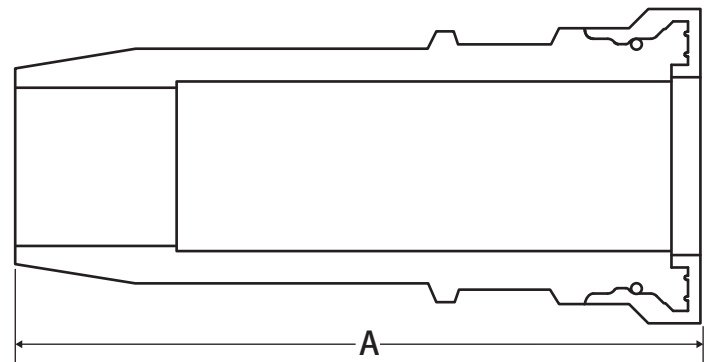
- 175 PSIG
- Temp range: -40°F to 300°F

# Extended Tail Piece

## Insulated Extended Male Tail Piece



**Extended Male Tail Piece**



LT-JV-C 082018

### Features

- To be ordered in conjunction with 175-LWIN
- 100% Made in Italy

### Pressure Rating

- 175 PSIG
- Temp range: -40°F to 300°F

**WARNING:** This product can expose you to chemicals including lead, which is known to the State of California to cause cancer, and lead, which is known to the State of California to cause birth defects or other reproductive harm. For more information go to [www.P65Warnings.ca.gov](http://www.P65Warnings.ca.gov).

### Material Specifications

No.	Part	Materials
1	Tail piece	Brass - CW617N

### Dimensions

Part No.	Size	A
241-004EUM	3/4"	3.69

# Thread Sealant

## Slow-Drying Soft-Set PTFE Thread Sealant



**White Stuff**

### Description

Jomar's White Stuff is a slow drying, soft setting, non-hardening PTFE pipe thread compound. It will not transfer taste or odor to the system being sealed. Excellent for food and water systems. It is lead free, anti-galling, non-corrosive, nontoxic, and will not harden in can.

### Temperature and Pressure Ratings

Brushable to: -50°F (-45°C)  
 Temperature Range: -50°F to 400°F (-45°C to 204°C)  
 Pressure Ratings: Gas – 3000 PSI (211 kg/cm<sup>2</sup>)  
 Liquid – 8000 PSI (562 kg/cm<sup>2</sup>)

VOC: 344 g/l

### Approvals

- NSF Certified
  - NSF 14 (PW, DWV, SW)
  - NSF 61 (C.HOT 180°F)
  - NSF 372
- Meets Mil. Spec. TT-S-1732

### Directions

Stir well before using. Clean threads. Brush liberally onto male threads only. Apply appropriate torque to joint as required. Joint may be made up immediately or within four hours as desired.

Part #	Size	Case Qty
400-001	2 oz tube	72
400-002	4 oz can	24
400-003	8 oz can	24
400-004	16 oz can	12
400-005	32 oz can	12

### Recommended for use with:

- |  |  |   |
|--|--|---|
| <ul style="list-style-type: none"> <li>• Acids, Diluted</li> <li>• Air, Compressed Gaseous</li> <li>• Alkalis, Diluted</li> <li>• Ammonia</li> <li>• Aliphatic Solvents</li> <li>• Brine</li> <li>• Butane</li> <li>• Carbon Dioxide</li> <li>• Castor Oils</li> <li>• Chlorinated Water</li> <li>• Corrosives</li> <li>• Coal Tar Naphtha</li> <li>• Cutting Oils</li> <li>• Diesel Exhaust Fluid</li> <li>• Diesel Fuel Oil</li> </ul> | <ul style="list-style-type: none"> <li>• Fatty Acids (Liquids)</li> <li>• Freon (All)</li> <li>• Gasoline*</li> <li>• Glycol</li> <li>• Heating Oils</li> <li>• Helium Gaseous</li> <li>• Hydraulic Oils</li> <li>• Hydrogen</li> <li>• Inert Gases, Gaseous</li> <li>• Jet Fuel (JP 3,4,5)</li> <li>• Kerosene</li> <li>• Lacquer</li> <li>• Liquefied Petroleum Gases</li> <li>• Manufactured Gases</li> <li>• Mineral Oils</li> </ul> | <ul style="list-style-type: none"> <li>• Naphtha</li> <li>• Natural Gas</li> <li>• Nitrogen, Gaseous</li> <li>• Petroleum Solvents</li> <li>• Propane</li> <li>• Refrigeration Gases</li> <li>• Soap, Liquid</li> <li>• Steam Lines</li> <li>• Sugar, Liquid</li> <li>• Vegetable Oils</li> <li>• Water (Hot or Cold)</li> <li>• Xylol</li> </ul> |
|--|--|---|

### NOT FOR USE ON OXYGEN SYSTEMS

\*Contact Jomar for compatible blends

### Recommended for use on:

- |  |  |   |
|--|--|---|
| <ul style="list-style-type: none"> <li>• All types of metal</li> <li>• ABS</li> <li>• PVC</li> <li>• CPVC</li> </ul> | <ul style="list-style-type: none"> <li>• Delrin</li> <li>• Zytel</li> <li>• Fiberglass</li> <li>• Nylon</li> </ul> | <ul style="list-style-type: none"> <li>• Polypropylene</li> <li>• Polybutylene</li> <li>• Polyethylene</li> </ul> |
|--|--|---|



#### Precautionary Statements

**P264:** Wash skin thoroughly after handling. **P280:** Wear protective gloves and eye protection. **P303 + P361:** IF ON SKIN, immediately remove all contaminated clothing and wash before reuse. **P305 + P351:** IF IN EYES, remove contact lenses if present and easy to do so, rinse with water for several minutes. **P337 + P313:** If eye or skin irritation persists – get medical advice/attention. **P403 + P223:** Store in a cool, well-ventilated place. Keep container tightly closed.

# Thread Sealant



## Slow-Drying Soft-Set General Purpose Thread Sealant



**Green Stuff**

### Description

Jomar's Green Stuff is a slow drying, soft setting, non-hardening pipe thread compound. It will not transfer taste or odor to the system being sealed. Excellent for food and water systems. It is lead free, anti-galling, non-corrosive, nontoxic, and will not harden in can.

### Temperature and Pressure Ratings

Brushable to: -50°F (-45°C)  
 Temperature Range: -50°F to 400°F (-45°C to 204°C)  
 Pressure Ratings: Gas – 3000 PSI (211 kg/cm<sup>2</sup>)  
 Liquid – 6000 PSI (422 kg/cm<sup>2</sup>)

VOC: 342 g/l

### Approvals

- NSF Certified
  - NSF 14 (PW, DWV, SW)
  - NSF 61 (C.HOT 180°F)
  - NSF 372
- CSA Certified (1/4" – 2")
  - CAN/ULC-S642 (125 PSIG)
  - ANSI LC7 (125 PSIG)
- Meets Mil. Spec. TT-S-1732

### Directions

Stir well before using. Clean threads. Brush liberally onto male threads only. Apply appropriate torque to joint as required.

Part #	Size	Case Qty
400-101	2 oz tube	72
400-102	4 oz can	24
400-103	8 oz can	24
400-104	16 oz can	12
400-105	32 oz can	12

### Recommended for use with:

- Acids, Diluted
- Air, Compressed Gaseous
- Alkalis, Diluted
- Ammonia
- Aliphatic Solvents
- Brine
- Butane
- Carbon Dioxide
- Castor Oils
- Chlorinated Water
- Coal Tar Naphtha
- Cutting Oils
- Diesel Fuel Oil
- Freon (All)
- Gasoline\*
- Glycol
- Heating Oils
- Helium Gaseous
- Hydraulic Oils
- Hydrogen
- Inert Gases, Gaseous
- Jet Fuel (JP 3,4,5)
- Kerosene
- Lacquer
- Liquefied Petroleum Gases
- Manufactured Gases

- Mineral Oils
- Natural Gas
- Nitrogen, Gaseous
- Petroleum Solvents
- Propane
- Refrigeration Gases
- Soap, Liquid
- Steam Lines
- Sugar, Liquid
- Vegetable Oils
- Water (Hot or Cold)

### NOT FOR USE ON OXYGEN SYSTEMS

\*Contact Jomar for compatible blends

### Recommended for use on:

- All types of metal
- ABS
- PVC
- CPVC
- Delrin
- Zytel
- Fiberglass
- Nylon
- Polypropylene
- Polybutylene
- Polyethylene



#### Precautionary Statements

**P264:** Wash skin thoroughly after handling. **P280:** Wear protective gloves and eye protection. **P303 + P361:** IF ON SKIN, immediately remove all contaminated clothing and wash before reuse. **P305 + P351:** IF IN EYES, remove contact lenses if present and easy to do so, rinse with water for several minutes. **P337 + P313:** If eye or skin irritation persists – get medical advice/attention. **P403 + P223:** Store in a cool, well-ventilated place. Keep container tightly closed.

LIT-JV-C 082018



# Thread Sealant

## Slow-Drying Soft-Set Extra PTFE Thread Sealant



**Heavyweight**

Part #	Size	Case Qty
400-201	2 oz tube	72
400-202	4 oz can	24
400-203	8 oz can	24
400-204	16 oz can	12
400-205	32 oz can	12

### Description

Jomar's Heavyweight is a slow drying, soft setting, non-hardening industrial PTFE pipe thread compound. It will not transfer taste or odor to the system being sealed. Excellent for food and water systems. It is lead free, anti-galling, non-corrosive, nontoxic, and will not harden in can.

### Temperature and Pressure Ratings

Brushable to: -50°F (-45°C)  
 Temperature Range: -50°F to 400°F (-45°C to 204°C)  
 Pressure Ratings: Gas – 3000 PSI (211 kg/cm<sup>2</sup>)  
 Liquid – 10,000 PSI (703 kg/cm<sup>2</sup>)  
 VOC: 304 g/l

### Approvals

- UL Listed (1/4" – 2")
  - QLSR – Pipe joint sealing compound
- Meets Mil. Spec. TT-S-1732

### Directions

Do not dilute. Stir well before using. Clean threads. Brush liberally onto male threads only. Apply appropriate torque to joint as required. Joint may be subjected to pressure immediately after assembly.

### Recommended for use with:

- |  |  |   |
|--|--|---|
| <ul style="list-style-type: none"> <li>• Acids, Diluted</li> <li>• Air, Compressed Gaseous</li> <li>• Alkalis, Diluted</li> <li>• Ammonia</li> <li>• Aliphatic Solvents</li> <li>• Brine</li> <li>• Butane</li> <li>• Carbon Dioxide</li> <li>• Castor Oils</li> <li>• Chlorinated Water</li> <li>• Corrosives</li> <li>• Coal Tar Naphtha</li> <li>• Cutting Oils</li> <li>• Diesel Fuel Oil</li> <li>• Diesel Exhaust Fluid</li> </ul> | <ul style="list-style-type: none"> <li>• Fatty Acids (Liquids)</li> <li>• Freon (All)</li> <li>• Gasoline*</li> <li>• Glycol</li> <li>• Heating Oils</li> <li>• Helium Gaseous</li> <li>• Hydraulic Oils</li> <li>• Hydrogen</li> <li>• Inert Gases, Gaseous</li> <li>• Jet Fuel (JP 3,4,5)</li> <li>• Kerosene</li> <li>• Lacquer</li> <li>• Liquefied Petroleum Gases</li> <li>• Manufactured Gases</li> <li>• Mineral Oils</li> </ul> | <ul style="list-style-type: none"> <li>• Naphtha</li> <li>• Natural Gas</li> <li>• Nitrogen, Gaseous</li> <li>• Petroleum Solvents</li> <li>• Propane</li> <li>• Refrigeration Gases</li> <li>• Soap, Liquid</li> <li>• Steam Lines</li> <li>• Sugar, Liquid</li> <li>• Vegetable Oils</li> <li>• Water (Hot or Cold)</li> <li>• Xylol</li> </ul> |
|--|--|---|

### NOT FOR USE ON OXYGEN SYSTEMS

\*Contact Jomar for compatible blends

### Recommended for use on:

- |  |  |   |
|--|--|---|
| <ul style="list-style-type: none"> <li>• All types of metal</li> <li>• ABS</li> <li>• PVC</li> <li>• CPVC</li> </ul> | <ul style="list-style-type: none"> <li>• Delrin</li> <li>• Zytel</li> <li>• Fiberglass</li> <li>• Nylon</li> </ul> | <ul style="list-style-type: none"> <li>• Polypropylene</li> <li>• Polybutylene</li> <li>• Polyethylene</li> </ul> |
|--|--|---|



#### Precautionary Statements

**P264:** Wash skin thoroughly after handling. **P280:** Wear protective gloves and eye protection. **P303 + P361:** IF ON SKIN, immediately remove all contaminated clothing and wash before reuse. **P305 + P351:** IF IN EYES, remove contact lenses if present and easy to do so, rinse with water for several minutes. **P337 + P313:** If eye or skin irritation persists – get medical advice/attention. **P403 + P223:** Store in a cool, well-ventilated place. Keep container tightly closed.

# Thread Sealant



## Fast-Drying Hard-Set Thread and Gasket Sealant



WOG Plus

### Description

Jomar's W.O.G Plus is a fast drying, hard setting, semi-paste, thread and gasket sealer. It remains flexible, so vibrations will not loosen connection. W.O.G plus seals tightly but allows for disassembly without damage to parts. It is lead free, halogen free, non-corrosive and nontoxic.

### Temperature and Pressure Ratings

Brushable to: -50°F (-45°C)  
Flash Point: TTC 58°F (14°C)  
Ignition Temp: 901°F (482°C)  
Temperature Range: -50°F to 400°F (-45°C to 204°C)  
Pressure Ratings: Gas – 2500 PSI (176 kg/cm<sup>2</sup>)  
Liquid – 10,000 PSI (703 kg/cm<sup>2</sup>)  
VOC: 294 g/l

### Approvals

- Meets Mil. Spec. MIL-S-7916B

### Threaded Directions

Stir well before using. Clean threads. Brush liberally onto male threads only. Allow to set for 5 minutes. Make up joint and apply appropriate torque as required. Keep container closed at all times when not in use.

### Flange / Gasket Directions

Stir well before using. Clean flange and gasket. Brush liberally onto both sides of flange and gasket. Allow to set for 5 minutes. Assemble in a normal manner. Keep container closed at all times when not in use.

Part #	Size	Case Qty
400-302	4 oz can	24
400-303	8 oz can	24
400-304	16 oz can	12

### Warning: Combustible mixture

**Do not use near heat, spark, or open flame.**

**Do not apply to hot surfaces.**

**Keep out of reach of children.**

### Recommended for use with:

- Acids, Diluted
- Air, Compressed Gaseous
- Alkalis Diluted
- Ammonia
- Aliphatic Solvents
- Brine
- Butane
- Carbon Dioxide
- Castor Oils
- Chlorinated Water
- Cutting Oils
- Diesel Fuel Oil
- Freon (All)
- Gasoline\*
- Heating Oils
- Helium Gaseous
- Hydraulic Oils
- Inert Gases, Gaseous
- Jet Fuel (JP 3,4,5)
- Kerosene
- Lacquer
- Liquefied Petroleum Gases
- Manufactured Gases
- Mineral Oils
- Naphtha
- Natural Gas
- Nitrogen, Gaseous
- Petroleum Solvents

- Propane
- Refrigeration Gases
- Soap, Liquid
- Steam Lines
- Sugar, Liquid
- Vegetable Oils
- Water (Hot or Cold)
- Xylol

**NOT FOR USE ON OXYGEN**  
**NOT RECOMMENDED FOR USE ON ETHANOL**

\*Contact Jomar for compatible blends

### Recommended for use on:

- All types of metal
- Pipe threads
- Pumps
- Electrical transmission equipment
- Gasoline engines
- Diesel engines
- Tank seams

LT-JV-C 082018

# Thread Sealant

## High Temperature Anti-Seize Lubricant and Thread Sealant



**Hi-Temp**

Part #	Size	Case Qty
400-403	8 oz can	24
400-404	16 oz can	12

### Recommended for use with:

- Air, Compressed Gaseous
- Alkalis, Diluted
- Ammonia
- Brine
- Carbon Dioxide
- Chlorinated Water
- Corrosives
- Fatty Acids (Liquids)
- Freon (All)
- Inert Gases, Gaseous
- Natural Gas
- Nitrogen, Gaseous

- Refrigeration Gases
- Soap, Liquid
- Steam Lines
- Sugar, Liquid
- Water (Hot or Cold)

### **NOT FOR USE ON OXYGEN SYSTEMS**

### Recommended for use on:

- All types of metal
- Pipe threads
- Bearings
- Bushings
- Drill collars
- Gear reducers
- Couplings
- Seals
- Studs
- Bolts
- Valve seats
- Valve stems
- Valve packing assemblies
- Valve gate assemblies
- Key ways

### Description

Jomar's Hi-Temp is a copper based anti-seize lubricant and thread sealant. It produces a permanent leak-proof metallic seal under pressure, yet prevents seizing, galling, freezing, and tearing, even under extreme conditions. It is lead free, non-corrosive, nontoxic, and will not harden in can.

### Temperature and Pressure Ratings

Brushable to: 10°F (-12°C)

Pour point: 32°F (0°C)

Temperature Range: 0°F to 1800°F (-17°C to 982°C)

Pressure Ratings: Gas – 3000 PSI (211 kg/cm<sup>2</sup>)

Liquid – 10,000 PSI (703 kg/cm<sup>2</sup>)

### Approvals

Meets Mil. Spec. MIL-A-907D

### Directions

Do not dilute. Stir well before using. Clean mating surfaces. Brush onto mating surfaces.

Make up joint and apply appropriate torque if required. Keep container closed at all times when not in use to avoid contamination.

# Butterfly Valve



## Lug Style • Epoxy-Coated Ductile Iron Body • Stainless Steel Disc



**BFV-Lug**

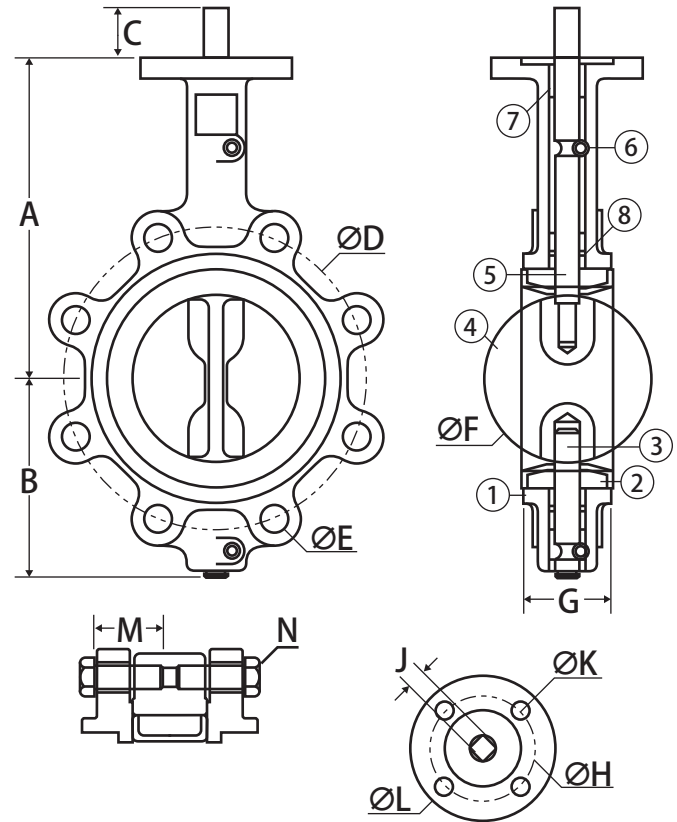
CRN# 0C09891.2

### Features

- Designed for commercial and industrial applications up to 200 PSI
- Easily accepts actuator with ISO 5211 mounting flange
- Available in EPDM, PTFE, Buna-N, or Viton® seats
- Seat to flange seal eliminates the need for flange gaskets
- Series 600 Lug bodies are bidirectional for dead end service
- Epoxy coated finish
- Ideal for mounting pneumatic/electrical actuators
- Square stem for direct mount
- Wetted surfaces contain less than .25% lead content

### Approvals

- API 609
- MSS SP-67
- NSF 61 / NSF 372



### Material Specifications

No.	Part	Materials
1	Body	Ductile Iron - Epoxy Coated
2	Seat	*Varies*
3	Lower Shaft*	410 Stainless Steel
4	Disc	CF8M Stainless Steel
5	Upper Shaft	410 Stainless Steel
6	Locating Pin (2)	Carbon Steel
7	Bushing (3)	PTFE
8	O-ring (2)	EPDM

Note: 2" - 12" only, 14" - 36" are pin through shaft style

### Seat Temperature Ranges

	Size	Buna-N	EPDM	Viton	PTFE
Temperature range (° F)	2" - 36"	10 to 180	-30 to 250	10 to 275	-20 to 250
Inline service (psi)	2" - 12"	200	200	200	200
	14" - 36"	150	150	150	150
Dead end service w/down stream flange (psi)	2" - 12"	200	200	200	100
Dead end service w/o down stream flange (psi)	2" - 12"	100	100	100	50

When ordering butterfly valves please specify the seat in the \_ space with the following letter designations: E = EPDM P = PTFE V = VITON B = BUNA

### Dimensions

Part No.	Size	A	B	C	D	E	F	G	H	J	K	L	M	N	Weight
600-02DS_L	2"	6.34	3.15	1.26	4.74	4 : 5/8"	2.07	1.65	1.97	0.35	4 : 0.28	3.03	1.50	5/8-11UNC	8.38
600-212DS_L	2-1/2"	6.89	3.50	1.26	5.50	4 : 5/8"	2.54	1.76	1.97	0.35	4 : 0.28	3.03	1.50	5/8-11UNC	9.26
600-03DS_L	3"	7.13	3.74	1.26	6.00	4 : 5/8"	3.10	1.78	1.97	0.35	4 : 0.28	3.03	1.50	5/8-11UNC	10.36
600-04DS_L	4"	7.87	4.49	1.26	7.50	8 : 5/8"	4.09	2.05	2.76	0.43	4 : 0.35	3.54	1.75	5/8-11UNC	19.84
600-05DS_L	5"	8.39	5.00	1.26	8.50	8 : 3/4"	4.85	2.14	2.76	0.55	4 : 0.35	3.54	1.75	3/4-10UNC	24.03
600-06DS_L	6"	8.90	5.47	1.26	9.51	8 : 3/4"	6.13	2.20	2.76	0.55	4 : 0.35	3.54	2.00	3/4-10UNC	31.31
600-08DS_B	8"	10.24	6.89	1.61	11.75	8 : 3/4"	7.97	2.39	4.02	0.67	4 : 0.47	4.92	2.00	3/4-10UNC	40.12
600-10DS_B	10"	11.50	7.99	1.61	14.25	12 : 7/8"	9.86	2.58	4.02	0.87	4 : 0.47	4.92	2.25	7/8-9UNC	59.08
600-12DS_B	12"	13.27	9.53	1.61	17.01	12 : 7/8"	11.87	3.03	4.02	0.87	4 : 0.47	5.51	2.50	7/8-9UNC	88.18
600-14DS_G	14"	14.49	10.55	1.77	18.74	12 : 1"	13.12	3.01	4.02	0.87	4 : 0.47	5.51	2.50	1-8UNC	123.46
600-16DS_G	16"	15.75	12.17	2.02	21.26	16 : 1"	15.34	3.41	5.51	1.06	4 : 0.71	7.76	3.00	1-8UNC	211.64
600-18DS_G	18"	16.54	12.91	2.02	22.76	16 : 1-1/8"	17.34	4.16	5.51	1.06	4 : 0.71	7.76	3.50	1-1/8-7UNC	268.96
600-20DS_G	20"	18.90	14.21	2.53	25.00	20 : 1-1/8"	19.35	5.19	5.51	1.42	4 : 0.71	7.76	4.00	1-1/8-7UNC	445.33
600-24DS_G	24"	22.13	18.07	2.76	29.51	20 : 1-1/4"	23.33	5.98	6.50	1.42	4 : 0.91	10.87	4.50	1-1/4-7UNC	595.25
600-30DS_G	30"	25.98	21.22	-	-	-	29.30	6.50	-	-	-	-	-	-	939.17
600-36DS_G	36"	28.35	25.83	-	-	-	34.04	7.99	-	-	-	-	-	-	1604.96

\*U-type Butterfly Valve, dimensions and drawings available upon request.

# Butterfly Valve

## Wafer Style • Epoxy-Coated Ductile Iron Body • Stainless Steel Disc



**BFV-Wafer**

CRN# 0C09891.2

### Features

- Designed for commercial and industrial applications up to 200 PSI
- Easily accepts actuator with ISO 5211 mounting flange
- Available in EPDM, PTFE, Buna-N, or Viton® seats
- Meets API 609 & MSS SP-67
- Seat to flange seal eliminates the need for flange gaskets
- Epoxy coated finish
- Ideal for mounting pneumatic/electrical actuators
- Square stem for direct mount
- Wetted surfaces contain less than .25% lead content

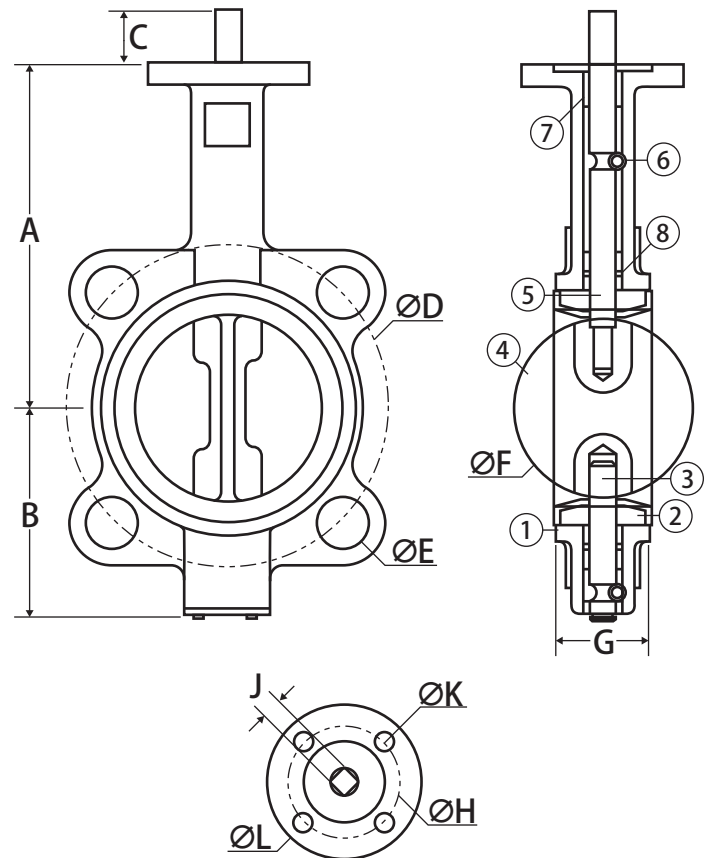
### Approvals

- API 609
- MSS SP-67
- NSF 61 / NSF 372

### Material Specifications

No.	Part	Materials
1	Body	Ductile Iron - Epoxy Coated
2	Seat	*Varies*
3	Lower Shaft*	410 Stainless Steel
4	Disc	CF8M Stainless Steel
5	Upper Shaft	410 Stainless Steel
6	Locating Pin (2)	Carbon Steel
7	Bushing (3)	PTFE
8	O-ring (2)	EPDM

2" - 12" only, 14" - 36" are pin through shaft style



	Seat Temperature Ranges				
	Size	Buna-N	EPDM	Viton	PTFE
Temperature range (° F)	2" - 36"	10 to 180	-30 to 250	10 to 275	-20 to 250
Inline service (psi)	2" - 12"	200	200	200	200
	14" - 36"	150	150	150	150

When ordering butterfly valves please specify the seat in the \_ space with the following letter designations: E = EPDM P = PTFE V = VITON B = BUNA

### Dimensions

Part No.	Size	A	B	C	D	E	F	G	H	J	K	L	Weight
900-02DS_L	2"	6.34	3.15	1.26	4.74	4 : 0.75	2.07	1.65	1.97	0.35	4 : 0.28	3.03	5.51
900-212DS_L	2-1/2"	6.89	3.50	1.26	5.50	4 : 0.75	2.54	1.76	1.97	0.35	4 : 0.28	3.03	7.05
900-03DS_L	3"	7.13	3.74	1.26	6.00	4 : 0.75	3.10	1.78	1.97	0.35	4 : 0.28	3.03	8.38
900-04DS_L	4"	7.87	4.49	1.26	7.50	8 : 0.75	4.09	2.05	2.76	0.43	4 : 0.35	3.54	10.80
900-05DS_L	5"	8.39	5.00	1.26	8.50	8 : 0.87	4.85	2.14	2.76	0.55	4 : 0.35	3.54	15.43
900-06DS_L	6"	8.90	5.47	1.26	9.51	8 : 0.87	6.13	2.20	2.76	0.55	4 : 0.35	3.54	17.20
900-08DS_B	8"	10.24	6.89	1.61	11.75	8 : 0.87	7.97	2.39	4.02	0.67	4 : 0.47	4.92	29.10
900-10DS_B	10"	11.50	7.99	1.61	14.25	12 : 0.98	9.86	2.58	4.02	0.87	4 : 0.47	4.92	42.33
900-12DS_B	12"	13.27	9.53	1.61	17.01	12 : 0.98	11.87	3.03	4.02	0.87	4 : 0.47	5.51	71.65
900-14DS_G	14"	14.49	10.51	1.77	18.74	12 : 1.14	13.12	3.01	4.02	0.87	4 : 0.47	5.51	91.05
900-16DS_G	16"	15.75	12.17	2.02	21.26	16 : 1.14	15.34	3.41	5.51	1.06	4 : 0.71	7.76	134.48
900-18DS_G	18"	16.61	12.91	2.02	22.76	16 : 1.26	17.34	4.16	5.51	1.06	4 : 0.71	7.76	174.16
900-20DS_G	20"	18.90	14.21	2.53	25.00	20 : 1.26	19.35	5.19	5.51	1.42	4 : 0.71	7.76	282.19
900-24DS_G	24"	22.13	18.07	2.76	29.51	20 : 1.38	23.33	5.98	6.50	1.42	4 : 0.91	10.87	414.47
900-30DS_G	30"	25.98	21.22	2.60	36.00	28 : 1.38	29.30	6.50	10.00	-*	8 : 0.71	11.81	723.12
900-36DS_G	36"	28.35	25.83	4.65	41.34	32 : 1.61	34.04	7.99	10.00	-*	8 : 0.71	11.81	1571.89

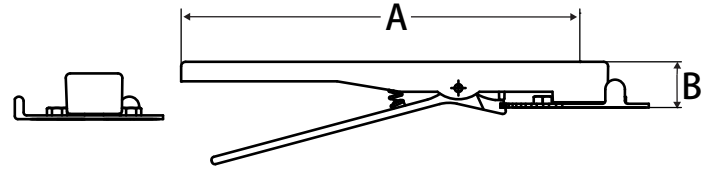
\*Stem is round with key, dimensions and drawings available upon request.

# Butterfly Valve Handle

## Ten-position Lockable Lever Handle



**BFV-Lever Handle**



### Dimensions

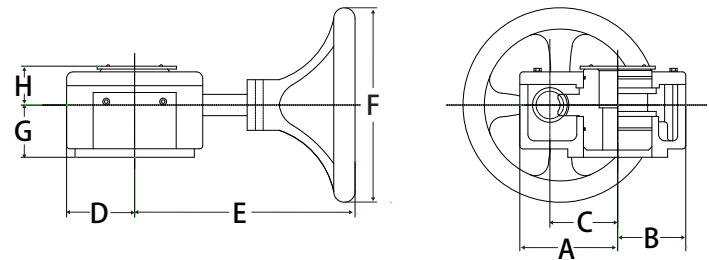
Part No.	Size	A	B
BLH2-3	2" - 3"	10.51	1.18
BLH4	4"	10.51	1.18
BLH5-6	5" - 6"	10.51	1.18
BLH8	8"	14.06	0.98
BLH10	10"	14.06	0.98
BLH12	12"	14.06	0.98

# Butterfly Valve Handle

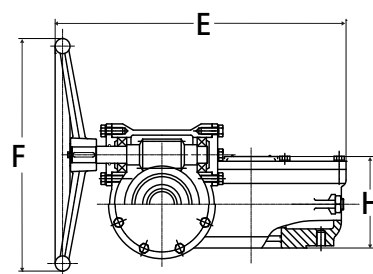
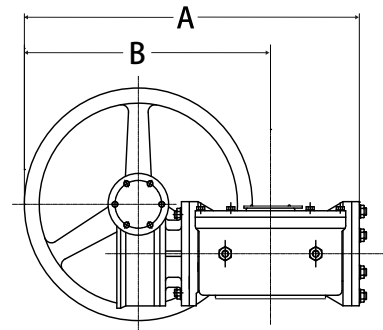
## Butterfly Gear Operator



**BFV-Worm Gear Operator**



2-14"



16-36"

### Dimensions

Part No.	Size	A	B	C	D	E	F	G	H
<b>2-14"</b>									
BGO2-3	2"-3"	4.72	2.01	1.77	2.01	6.06	5.90	1.53	1.77
BGO4	4"	4.72	2.01	1.77	2.01	6.06	5.90	1.53	1.77
BGO5-6	5"-6"	4.72	2.01	1.77	2.01	6.06	5.90	1.53	1.77
BGO8	8"	7.99	2.79	2.60	2.79	8.82	11.22	1.46	2.16
BGO10	10"	7.99	2.79	2.60	2.79	8.82	11.22	1.46	2.16
BGO12-14	12"-14"	8.74	2.99	3.15	2.79	8.46	11.22	1.42	2.36
<b>16-36"</b>									
BGO16-18	16"-18"	16.53	12.28	-	-	14.37	11.22	-	5.03
BGO20	20"	16.53	12.28	-	-	14.37	11.22	-	5.03
BGO24	24"	20.47	15.27	-	-	16.38	15.16	-	5.51
BGO30	30"	23.42	17.44	-	-	19.01	16.73	-	5.87
BGO36	36"	29.88	19.37	-	-	23.62	16.73	-	7.28

LT-JV-C 082018

# Cast Iron Gate Valve

Bolted Bonnet • Solid Wedge • OS & Y • Class 125



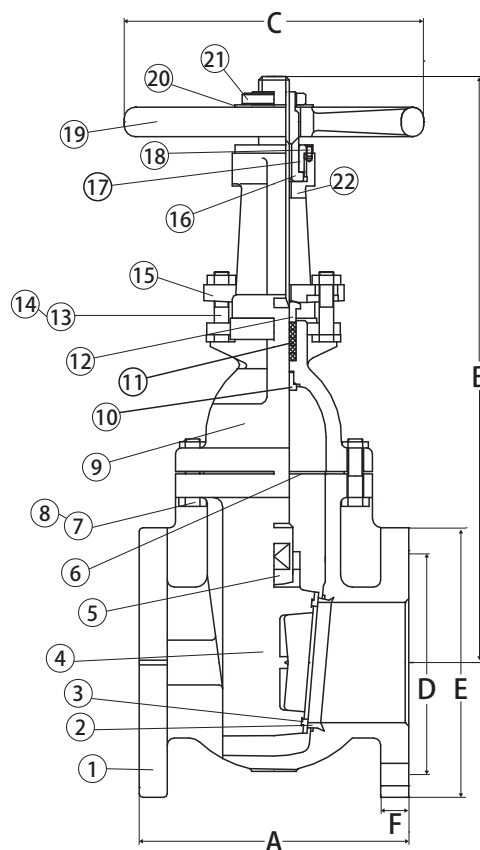
F-361

### Approvals

- Conforms to MSS SP-70
- Face to Face: ANSI B16.10
- Flange: ASME B16.1

### Pressure Rating

- Class 125



### Dimensions

Part No.	Size	Weight	A	B	C	D	E	F
103-625	2-1/2"	48	7.50	16.93	7.01	5.49	7.01	0.81
103-603	3"	59	8.00	19.09	7.87	6.00	7.52	0.88
103-604	4"	105	9.00	24.21	10.00	7.48	9.01	0.92
103-606	6"	194	10.50	32.88	11.82	9.51	10.98	1.00
103-608	8"	272	11.50	39.76	13.70	11.76	13.50	1.13
103-610	10"	438	13.00	48.03	15.75	14.25	15.98	1.19
103-612	12"	608	14.02	56.50	17.00	17.01	19.01	1.25

\*Height when valve is open

### Material Specifications

No.	Part	Materials
1	Body	Cast Iron - ASTM A126 B
2	Seat Rings	Lead Free Bronze - C89835
3	Wedge Face Rings	Brass
4	Wedge	Cast Iron - ASTM A126 B
5	Stem	Stainless Steel - SS410
6	Body Gaskets	Graphite
7	Bolts	Steel - ASTM A307 B
8	Nuts	Steel - ASTM A307 B
9	Bonnet	Cast Iron - ASTM A126 B
10	Back Seat Bushing	Cast Bronze - ASTM B62
11	Packing	Graphite
12	Packing Gland	Brass
13	Gland Follower Bolts	Steel - ASTM A307 B
14	Gland Follower Nuts	Steel - ASTM A307 B
15	Gland Follower	Ductile Iron
16	Yoke Bushing	Cast Bronze - ASTM B62
17	Yoke Bushing Nut	Cast Iron - ASTM A126 B
18	Screw	Steel - ASTM A307 B
19	Hand Wheel	Cast Iron - ASTM A126 B
20	Identification Plate	Aluminum
21	Hand Wheel Nut	Ductile Iron
22	Yoke	Cast Iron - ASTM A126 B

# Cast Iron Gate Valve



**Bolted Bonnet • Non-Rising Stem • Solid Wedge • Class 125**



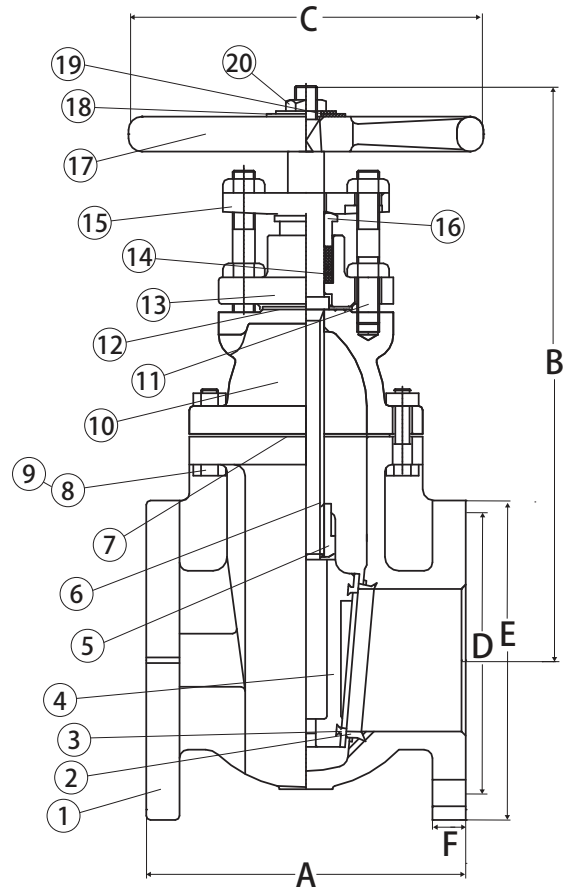
**F-351**

### Approvals

- Conforms to MSS SP-70
- Flange: ANSI B16.1
- Face to Face: ANSI B16.1

### Pressure Rating

- Class 125



### Dimensions

Part No.	Size	Weight	A	B	C	D	E	F
103-525	2-1/2"	20	7.50	12.72	7.01	5.51	7.01	0.69
103-503	3"	25	8.00	13.31	7.87	6.00	7.48	0.76
103-504	4"	45	9.00	16.18	10.00	7.48	8.98	0.92
103-506	6"	83	10.50	21.97	11.81	9.48	10.98	1.00
103-508	8"	113	11.50	25.59	13.70	11.75	13.50	1.12

### Material Specifications

No.	Part	Materials
1	Body	Cast Iron - ASTM A126 B
2	Seat Rings	Lead Free Bronze - C89835
3	Wedge Face Rings	Bronze
4	Wedge	Cast Iron - ASTM A126 B
5	Wedge Nut	Cast Brass - ASTM B62
6	Stem	Stainless Steel - SS410
7	Body Gasket	Graphite
8	Bolts	Steel - ASTM A307 B
9	Nuts	Steel - ASTM A307 B
10	Bonnet	Cast Iron - ASTM A307 B
11	Gland Follower Bolts	Steel - ASTM A307 B
12	Suffing Box Gasket	Graphite
13	Suffing Box	Cast Iron - ASTM A126 B
14	Packing	Graphite
15	Gland Follower	Cast Iron - ASTM B584
16	Packing Gland	Cast Brass
17	Hand Wheel	Cast Iron - ASTM A126 B
18	Identification Plate	Aluminum
19	Washer	Steel - ASTM A307 B
20	Hand Wheel Nut	Steel - ASTM A307 B

LT-JV-C 082018

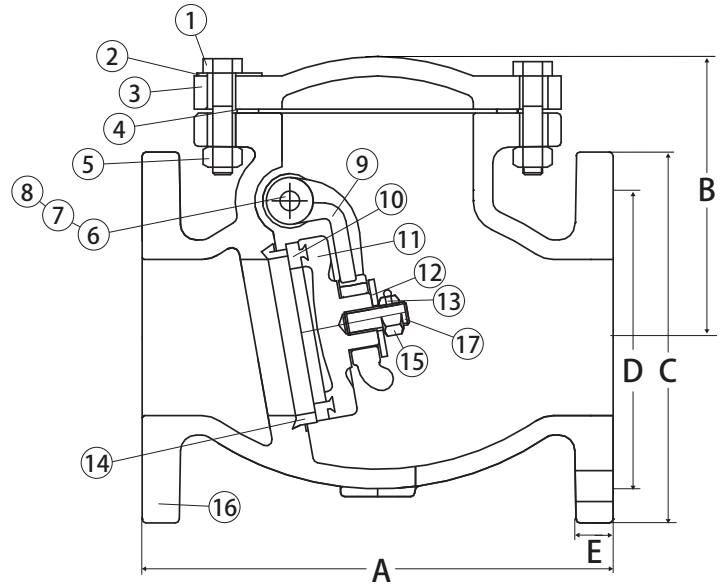


# Cast Iron Check Valve

Horizontal Swing • Bolted Bonnet • Class 125



F-571



### Approvals

- Conforms to MSS SP-71
- Flange: ASME B16.1
- Face to Face: ANSI B16.1

### Pressure Ratings

- Class 125

### Dimensions

Part No.	Size	Weight	A	B	C	D	E
105-725	2-1/2"	24	8.50	5.24	7.01	5.49	0.81
105-703	3"	44	9.50	5.67	7.52	6.00	0.88
105-704	4"	78	11.50	6.61	9.01	7.50	0.92
105-706	6"	152	14.00	8.54	10.98	9.51	1.00
105-708	8"	259	19.49	10.27	13.50	11.75	1.12
105-710	10"	417	24.49	11.30	15.98	14.25	1.19
105-712	12"	615	27.50	12.56	19.01	17.01	1.25

### Material Specifications

No.	Part	Materials
1	Bolts	Steel - ASTM A307 B
2	Identification Plate	Aluminum
3	Bonnet	Cast Iron - ASTM A126
4	Body Gasket	Graphite
5	Nuts	Steel - ASTM A307 B
6	Side Plug	Cast Bronze - ASTM B62
7	Gasket	Fiber
8	Hanger Pin	Cast Bronze - ASTM B62
9	Hanger	Ductile Iron - ASTM A536
10	Disc Ring	Cast Bronze - ASTM B62
11	Disc	Cast Iron - ASTM A126
12	Washer	Steel - ASTM A307
13	Split Pin	Stainless Steel - ASTM 420
14	Seat Ring	Cast Bronze - ASTM B62
15	Disc Nut	Steel - ASTM A307 B
16	Body	Cast Iron - ASTM A126
17	Stud Bolt	Steel - ASTM A307 B

# Cast Iron Check Valve

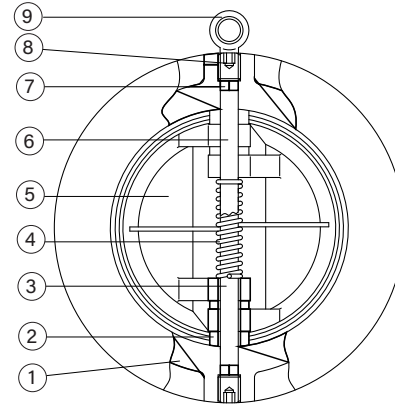
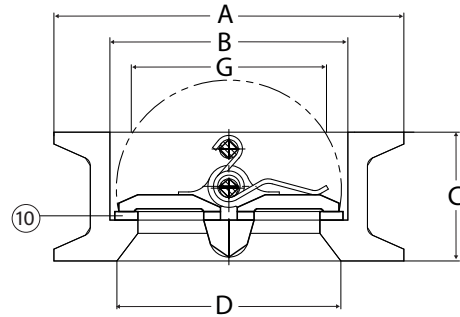


Wafer Style • Double Door • Aluminum Bronze Disc • Class 125



F-591

**Pressure Rating**  
• Class 125



### Dimensions

Part No.	Size	Weight	A	B	C	D	G
105-925	2-1/2"	5	4.88	3.15	2.12	3.07	1.92
105-903	3"	6	5.38	3.70	2.24	3.46	2.99
105-904	4"	9	6.88	4.61	2.52	4.33	3.83
105-906	6"	15	8.75	6.69	2.99	6.69	5.69
105-908	8"	28	10.98	8.82	3.74	8.74	7.59

### Material Specifications

No.	Part	Materials
1	Body	Cast Iron - ASTM A126 B
2	Washer	PTFE
3	Lower Shaft	Stainless Steel - SS410
4	Spring	Stainless Steel - SS304
5	Disc	Aluminum Bronze - C95400
6	Upper Shaft	Stainless Steel - SS410
7	Seal Washer	NBR
8	Thread Plug	Carbon Steel
9	Lifting Eyebolt	Carbon Steel
10	Seat	NBR

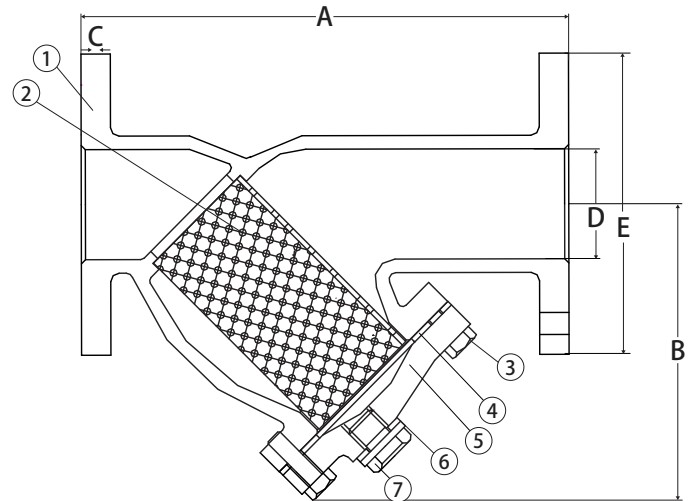
LT-JV-C 082018

# Cast Iron Y-Strainer

Bolted Bonnet • Stainless Steel Screen • Class 125



F-651



## Approvals

- Flange: ANSI B16.1

## Pressure Rating

- Class 125

## Material Specifications

No.	Part	Materials
1	Body	Gray Cast Iron - ASTM A126 B
2	Screen	Stainless Steel - AISI 304
3	Bolt	Carbon Steel
4	Gasket	NBR
5	Cover	Gray Cast Iron - ASTM A126 B
6	Washer	Carbon Steel
7	Plug	Carbon Steel

## Dimensions

Part No.	Size	Weight	A	B	C	D	E	Cv
106-625	2-1/2"	31	10.75	6.81	0.69	2.56	7.01	125
106-603	3"	42	11.50	7.68	0.75	3.15	7.52	162
106-604	4"	60	13.86	8.86	0.94	3.94	9.01	273
106-606	6"	127	18.50	12.91	1.00	5.90	10.98	557
106-608	8"	227	21.38	16.73	1.14	7.87	13.50	925

# Carbon Steel Ball Valve



**2 Piece • Full Port • Flanged Connections • Class 300 •  
Stainless Steel Ball and Stem**



CRN# 0C15754.524

**FL-CS-100-300**

## Features

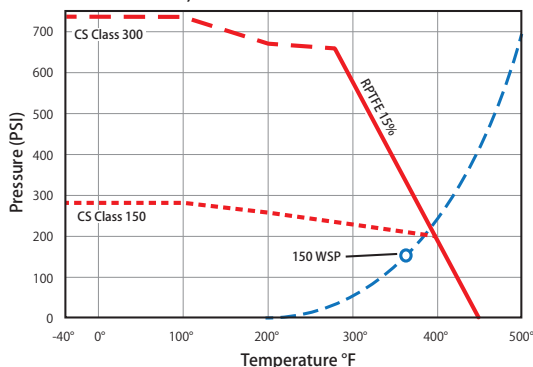
- Wrench operator
- Fire safe stem and body graphite seals
- Air tested seat leakage: 85 PSI
- Hydraulic tested body: 1124 PSI
- Locking device comes standard
- 100% leak tested
- Wetted surfaces contain less than .25% lead content

## Approvals

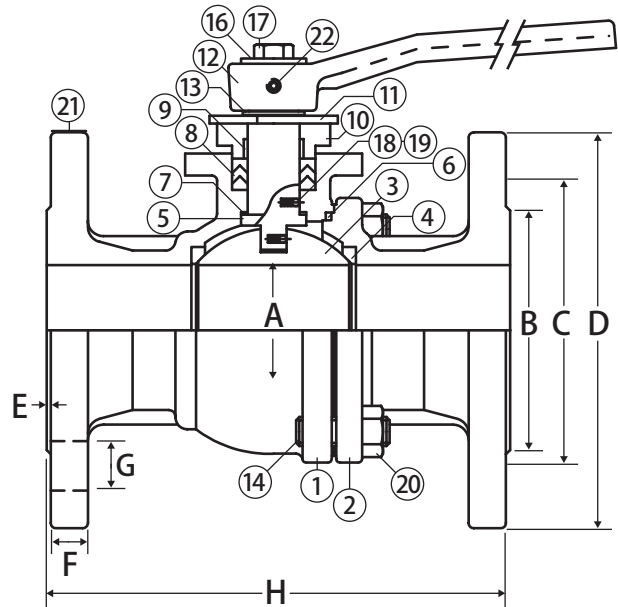
- CSA Certified
  - ASME B16.33 (125 PSIG) (2")
  - ASME B16.38 (125PSIG) (3"-8")
  - CGA 3.16 (125 PSI)
- Conforms to ANSI B16.34
- Flange: ANSI B16.5
- Face to Face: ANSI B16.10
- API 607 Fire Safe
- NACE 01-75 Stainless Steel Approved

## Valve Seat Rating

Class 300: 700 WOG, Class 150: 300 WOG - 150 WSP



**WARNING:** This product can expose you to chemicals including diisononyl phthalate (DINP), which is known to the State of California to cause cancer, and diisononyl phthalate (DINP), which is known to the State of California to cause birth defects or other reproductive harm. For more information go to [www.P65Warnings.ca.gov](http://www.P65Warnings.ca.gov).



## Material Specifications

No.	Part	Materials
1	Body	WCB Carbon Steel
2	Body Cap	WCB Carbon Steel
3	Ball	CF8 Stainless Steel
4	Seat (2) <sup>†</sup>	RPTFE - 15%
5	Stem	304 Stainless Steel
6	Body Seal <sup>†</sup>	PTFE / Graphite
7	Stem Seal <sup>†</sup>	PTFE
8	Packing Gland (3) <sup>†</sup>	PTFE / Graphite
9	Gland Bushing <sup>†</sup>	PTFE
10	Gland Flange	CF8 Stainless Steel
11	Stop Plate	304 Stainless Steel
12	Handle	Ductile Iron
13	Snap Ring	301 Stainless Steel
14	Body Bolt (4 or 6)	A193-B8 Steel
15	Gland Bolt (2)*	A193-B8 Steel
16	Handle Washer	304 Stainless Steel
17	Handle Bolt	304 Stainless Steel
18	Static Device (2)	304 Stainless Steel
19	Spring (2)*	304 Stainless Steel
20	Body Nut (4 or 6)**	A194-8M Steel
21	Tag	304 Stainless Steel
22	Set Screw	304 Stainless Steel

\* Not shown in drawing, \*\* Component only on +5" valves, †Included in repair kit

## Dimensions

Part No.	Size	A	B	C	D	E	F	G	H	Bolts	Torque
600-228	2"	1.97	3.62	5.00	6.50	0.06	0.88	0.75	8.50	8	1068
600-230	3"	3.15	5.00	6.62	8.27	0.06	1.17	0.88	11.10	8	1752
600-231	4"	3.94	6.19	7.88	10.00	0.06	1.25	0.88	12.00	8	3216
600-232	6"	5.90	8.51	10.64	12.53	0.06	1.44	0.88	15.88	12	6900
600-233*	8"	7.88	10.64	13.00	15.01	0.06	1.62	1.00	19.75	12	16620

\*8" Special Order

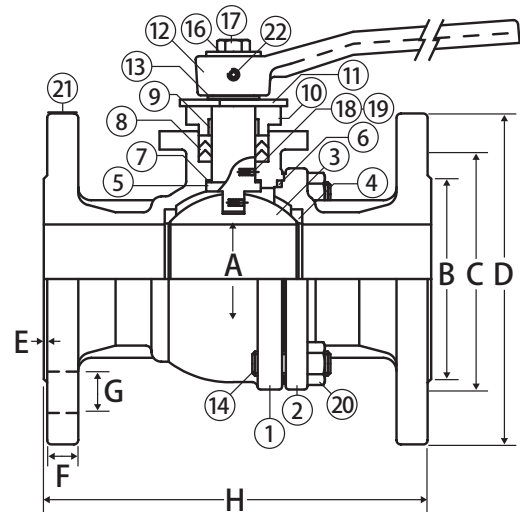
# Carbon Steel Ball Valve

2 Piece • Full Port • Flanged Connections • Class 150 •  
Stainless Steel Ball and Stem



FL-CS-100-150

CRN# 0C15754.524



### Features

- Wrench operator
- Fire safe stem and body graphite seals
- Air tested seat leakage: 85 PSI
- Hydraulic tested body: 427 PSI
- Locking device comes standard
- 100% leak tested
- Wetted surfaces contain less than .25% lead content

### Approvals

- UL Listed (1/2" - 8")
  - MHKZ - Manual valves
  - YQNZ - Compressed gas shut-off valves
  - YRBX - Flammable liquid shut-off valves
  - YSDT - LP gas shut-off valves
- CSA Certified
  - ASME B16.33 (125 PSIG) (2")
  - ASME B16.38 (125PSIG) (3"-8")
  - CGA 3.16 (125 PSI) (2"-8")
- Conforms to ANSI B16.34
- Flange: ANSI B16.5
- Face to Face: ANSI B16.10
- API 607 Fire Safe
- NACE 01-75 Stainless Steel Approved

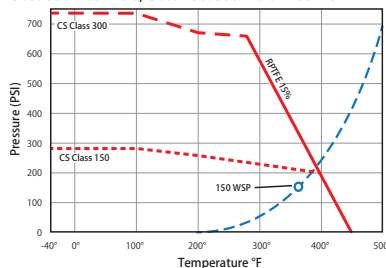
### Material Specifications

No.	Part	Materials
1	Body	WCB Carbon Steel
2	Body Cap	WCB Carbon Steel
3	Ball	CF8M Stainless Steel
4	Seat (2) <sup>†</sup>	RPTFE - 15%
5	Stem	304 Stainless Steel
6	Body Seal <sup>†</sup>	PTFE / Graphite
7	Stem Seal <sup>†</sup>	PTFE
8	Packing Gland (3) <sup>†</sup>	PTFE / Graphite
9	Gland Bushing <sup>†</sup>	PTFE
10	Gland Flange	CF8 Stainless Steel
11	Stop Plate	304 Stainless Steel
12	Handle	WCB Carbon Steel
13	Snap Ring	301 Stainless Steel
14	Body Bolt (4 or 6)	A193-B7 Steel
15	Gland Bolt (2)*	304 Stainless Steel
16	Handle Washer	304 Stainless Steel
17	Handle Bolt	304 Stainless Steel
18	Static Device (2)	304 Stainless Steel
19	Spring (2)*	304 Stainless Steel
20	Body Nut (4 or 6)**	A194-2H Steel
21	Tag	304 Stainless Steel
22	Set Screw	304 Stainless Steel

\* Not shown in drawing, \*\* Component only on +5" valves, <sup>†</sup>Included in repair kit

### Valve Seat Rating

Class 300: 700 WOG, Class 150: 300 WOG - 150 WSP



**WARNING:** This product can expose you to chemicals including diisononyl phthalate (DINP), which is known to the State of California to cause cancer, and diisononyl phthalate (DINP), which is known to the State of California to cause birth defects or other reproductive harm. For more information go to [www.P65Warnings.ca.gov](http://www.P65Warnings.ca.gov).

### Dimensions

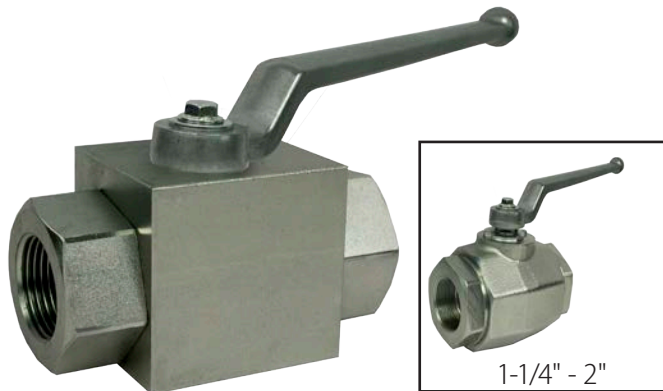
Part No.	Size	A	B	C	D	E	F	G	H	Bolts	Torque
600-203	1/2"	0.63	1.38	2.38	3.50	0.06	0.44	0.63	4.25	4	48
600-204	3/4"	0.79	1.69	2.76	3.86	0.06	0.44	0.63	4.61	4	90
600-205	1"	0.98	2.01	3.13	4.25	0.06	0.44	0.63	5.00	4	148
600-207	1-1/2"	1.50	2.87	3.88	5.00	0.06	0.56	0.63	6.50	4	270
600-208	2"	1.97	3.62	4.74	5.98	0.06	0.63	0.75	7.01	4	395
600-209	2-1/2"	2.56	4.13	5.49	7.01	0.06	0.69	0.75	7.48	4	609
600-210	3"	3.15	5.00	6.00	7.48	0.06	0.75	0.75	7.99	4	913
600-211	4"	3.94	6.18	7.50	9.02	0.06	0.94	0.75	9.02	8	1443
600-212	6"	5.98	8.50	9.51	10.98	0.06	1.00	0.87	15.51	8	4870
600-213*	8"	7.99	10.63	11.75	13.50	0.06	1.12	0.87	17.99	8	8522
600-214*	10"	9.84	12.76	14.25	15.98	0.06	1.19	0.98	20.98	12	
600-215*	12"	11.81	12.52	17.01	19.02	0.06	1.25	0.98	24.02	12	

\*8-12" Special Order

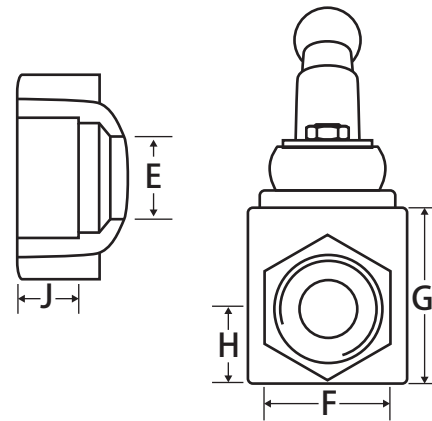
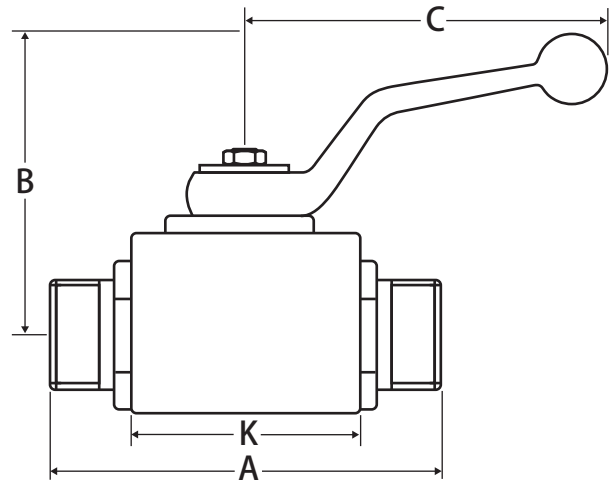
# Carbon Steel Ball Valve



3 Piece • Full Port • Threaded Connection • 7250 WOG



T-CS-4000



## Features

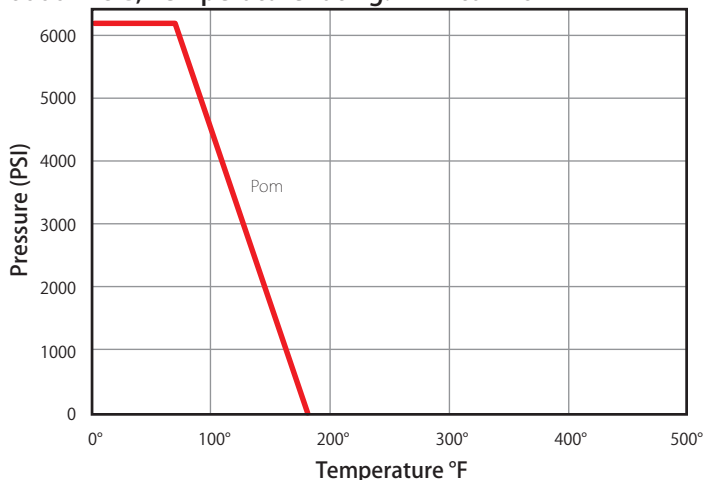
- Body pressure ratings:
  - 7250 PSI for 1/4" to 1/2"
  - 4550 PSI for 3/4" to 2"
- Safety factor: 2 to 1
- Pom ball seats
- Viton stem seal
- NPT female thread to ANSI B1.20.1
- Lockable handle
- Sizes 1/4" to 1" one block body design
- 1-1/4" to 2" are rounded body design
- 100% leak tested
- Wetted surfaces contain less than .25% lead content

## Approvals

- MSS SP-110

## Valve Seat Rating

6000 WOG, Temperature rating: 14°F to 176°F



## Material Specifications

Part	Materials
Body	Carbon Steel
Ball	Chrome Plated Carbon Steel
Seat (2)	POM
Seat O-Ring (2)	FMP
Stem	Carbon Steel
Stem Seal	POM
Stem O-Ring	FMP
Travel Stop	Carbon Steel
Stopping Plate	Carbon Steel
Handle	Casted Zinc
Screw	Carbon Steel

## Dimensions

Part No.	Size	A	B	C	E	F	G	H	J	K
100-941	1/4"	1.57	3.30	4.41	0.24	1.02	1.30	0.53	0.55	1.57
100-942	3/8"	1.65	3.42	4.41	0.39	1.26	1.42	0.63	0.55	1.65
100-943	1/2"	1.89	3.57	4.41	0.47	1.38	1.57	0.67	0.63	1.89
100-944	3/4"	2.36	4.27	6.10	0.79	1.89	2.17	0.98	0.71	2.36
100-945	1"	2.56	4.62	6.10	0.98	2.24	2.52	1.12	0.83	2.56
100-946	1-1/4"	2.95	5.45	9.25	1.26	2.60	2.95	1.30	0.87	2.95
100-947	1-1/2"	3.58	5.96	9.25	1.50	3.15	3.46	1.57	0.94	3.58
100-948	2"	3.94	6.59	9.25	1.89	3.78	4.09	1.89	1.02	4.33

LT-JV-C 082018

# Carbon Steel Ball Valve

**5 Piece • Full Port • Double Union End • Threaded Connection • 3000 WOG • Stainless Steel Ball and Stem**



**T-CS-2002N-SS-DUE**

## Features

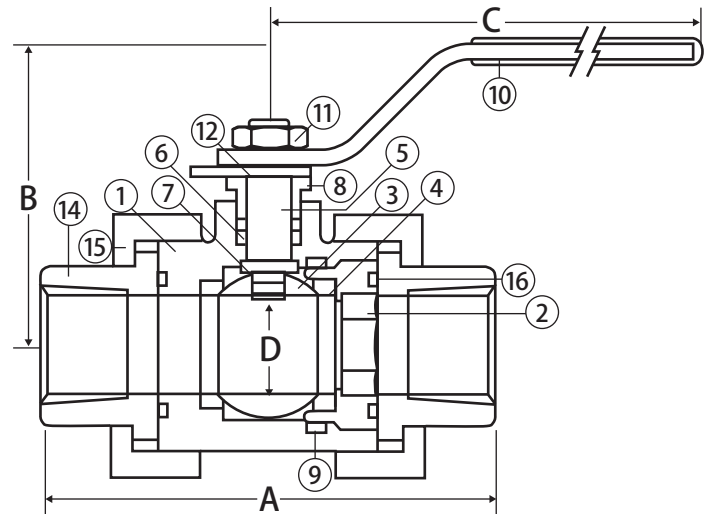
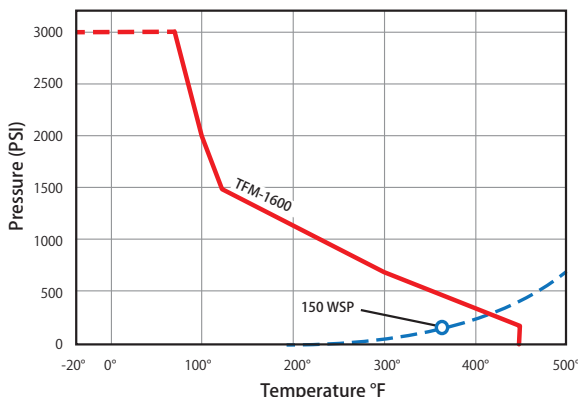
- Solid ball construction
- 5 piece construction
- Mounting pad
- Reversible handle
- Adjustable stem packing with blow out proof stem
- 29 in-Hg vacuum rating
- 100% leak tested
- Wetted surfaces contain less than .25% lead content
- Repair kits available
- Locking handle available

## Approvals

- UL Listed
  - MHKZ - Manual valves
  - YQNZ - Compressed gas shut-off valves
  - YRBX - Flammable liquid shut-off valves
  - YRPV - Gas shut-off valves
  - YSDT - LP gas shut-off valves
  - YQAR - Anhydrous ammonia shut-off valves
- API-598
- ANSI B1.20.1
- ANSI B16.11
- MSS SP-110
- NACE Certified

## Valve Seat Rating

3000 WOG - 150 WSP



## Material Specifications

No.	Part	Materials
1	Body	WCB Carbon Steel
2	Body Insert	WCB Carbon Steel
3	Ball	CF8M Stainless Steel
4	Seat (2) <sup>†</sup>	Hostaflon® TFM 1600
5	Stem	316 Stainless Steel
6	Packing (2) <sup>†</sup>	RPTFE
7	Stem Seal <sup>†</sup>	Hostaflon® TFM 1600
8	Packing Gland	304 Stainless Steel
9	Body Seal (1) <sup>†</sup>	Hostaflon® TFM 1600
10	Handle	304 Stainless Steel
11	Handle Nut	304 Stainless Steel
12	Stop Plate	304 Stainless Steel
13	Lock Pin*	304 Stainless Steel
14	Tail Piece (2)	WCB Carbon Steel
15	Union Nut (2)	WCB Carbon Steel
16	Union Seal (2) <sup>†</sup>	Hostaflon® TFM 1600

\*Not shown in drawing

<sup>†</sup>Included in repair kit

## Dimensions

Part No.	Size	A	B	C	D	Torque
100-991	1/4"	3.58	2.40	4.17	0.44	35
100-992	3/8"	3.58	2.40	4.17	0.44	35
100-993	1/2"	3.58	2.40	4.17	0.62	65
100-994	3/4"	3.74	2.79	6.97	0.81	100
100-995	1"	4.29	2.96	6.97	1.00	120
100-996	1-1/4"	4.61	3.38	9.84	1.25	210
100-997	1-1/2"	5.24	3.67	9.84	1.50	300
100-998	2"	5.71	4.52	12.24	1.97	400



**WARNING:** This product can expose you to chemicals including diisononyl phthalate (DINP), which is known to the State of California to cause cancer, and diisononyl phthalate (DINP), which is known to the State of California to cause birth defects or other reproductive harm. For more information go to [www.P65Warnings.ca.gov](http://www.P65Warnings.ca.gov).

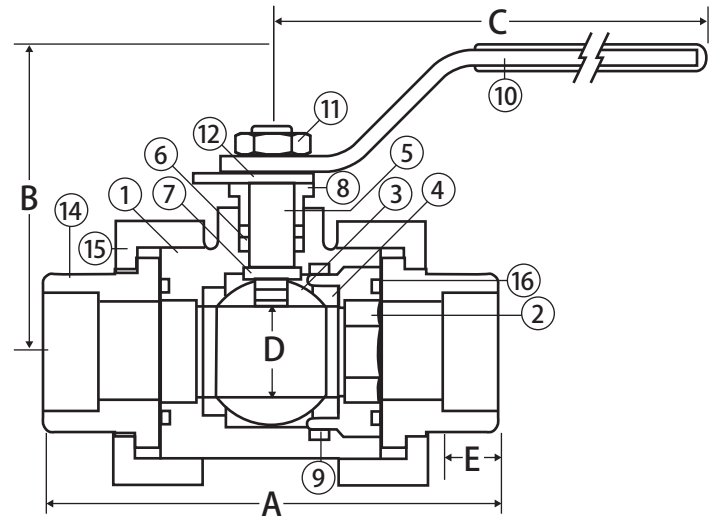
# Carbon Steel Ball Valve



**5 Piece • Full Port • Double Union End • Socket Weld •  
3000 WOG • Stainless Steel Ball and Stem**



**S-CS-2002N-SS-DUE**



## Features

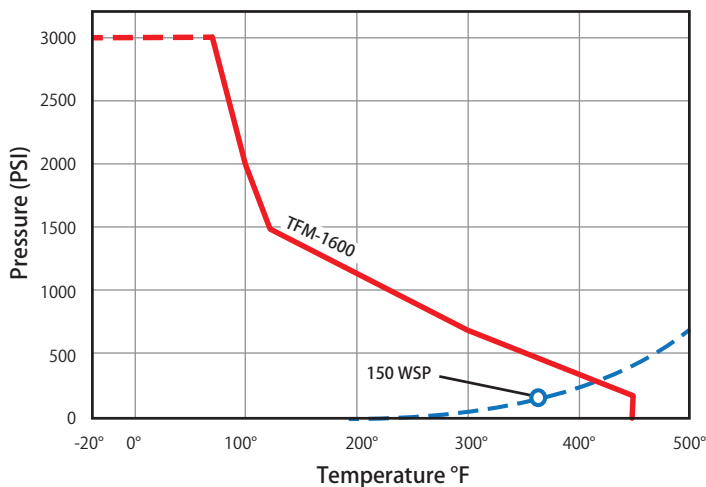
- Solid ball construction
- 5 piece construction
- Mounting pad
- Reversible handle
- Adjustable stem packing with blow out proof stem
- 29 in-Hg vacuum rating
- 100% leak tested
- Wetted surfaces contain less than .25% lead content
- Repair kits available
- Locking handle available

## Approvals

- API-598
- MSS SP-110
- NACE Certified
- ANSI B16.11

## Valve Seat Rating

**3000 WOG - 150 WSP**



## Material Specifications

No.	Part	Materials
1	Body	WCB Carbon Steel
2	Body Insert	WCB Carbon Steel
3	Ball	CF8M Stainless Steel
4	Seat (2) <sup>†</sup>	Hostaflo <sup>®</sup> TFM 1600
5	Stem	316 Stainless Steel
6	Packing (2) <sup>†</sup>	RPTFE
7	Stem Seal <sup>†</sup>	Hostaflo <sup>®</sup> TFM 1600
8	Packing Gland	304 Stainless Steel
9	Body Seal (1) <sup>†</sup>	Hostaflo <sup>®</sup> TFM 1600
10	Handle	304 Stainless Steel
11	Handle Nut	304 Stainless Steel
12	Stop Plate	304 Stainless Steel
13	Lock Pin*	304 Stainless Steel
14	Tail Piece (2)	WCB Carbon Steel
15	Union Nut (2)	WCB Carbon Steel
16	Union Seal (2) <sup>†</sup>	Hostaflo <sup>®</sup> TFM 1600

\*Not shown in drawing

<sup>†</sup>Included in repair kit

## Dimensions

Part No.	Size	A	B	C	D	E	Torque
101-991	1/4"	3.58	2.40	4.17	0.44	0.41	35
101-992	3/8"	3.58	2.40	4.17	0.44	0.41	35
101-993	1/2"	3.58	2.40	4.17	0.62	0.44	65
101-994	3/4"	3.74	2.79	6.97	0.81	0.56	100
101-995	1"	4.29	2.96	6.97	1.00	0.72	120
101-996	1-1/4"	4.61	3.38	9.84	1.25	0.72	210
101-997	1-1/2"	5.24	3.67	9.84	1.50	0.72	300
101-998	2"	5.71	4.52	12.24	1.97	0.84	400



**WARNING:** This product can expose you to chemicals including diisononyl phthalate (DINP), which is known to the State of California to cause cancer, and diisononyl phthalate (DINP), which is known to the State of California to cause birth defects or other reproductive harm. For more information go to [www.P65Warnings.ca.gov](http://www.P65Warnings.ca.gov).

LIT-JV-C 082018



# Carbon Steel Ball Valve

**3 Piece 4 Bolt Enclosed • Standard Port • Threaded Connection • 2000 WOG • Stainless Steel Ball and Stem**



**T-CS-2001N-SS-4B**

## Features

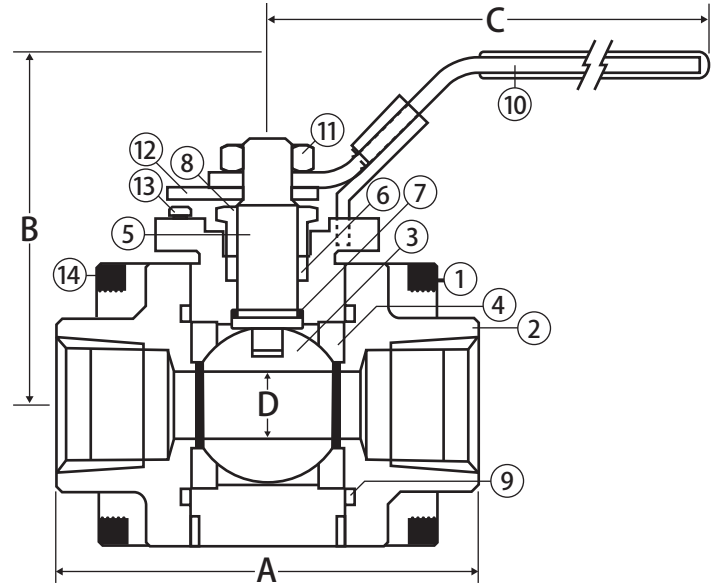
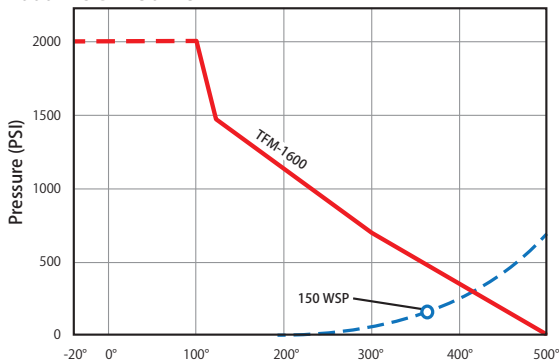
- Latch lock may be locked in open or closed position
- Solid ball construction
- Blow out proof stem
- 29 in-Hg vacuum rating
- Fire safe rated
- 100% leak tested
- Wetted surfaces contain less than .25% lead content
- Repair kits available

## Approvals

- UL Listed
  - MHKZ - Manual valves
  - YQNZ - Compressed gas shut-off valves
  - YRBX - Flammable liquid shut-off valves
  - YRPV - Gas shut-off valves
  - YSDT - LP gas shut-off valves
  - YQAR - Anhydrous ammonia shut-off valves
- API 607 (4th edition) - fire safe rated
- Conforms to API 598
- NACE Certified
- MSS SP-110, SP-61, SP-82
- ASME B16.34 (1/2" - 1-1/2")
- ANSI B1.20.1
- ANSI B16.11

## Valve Seat Rating

2000 WOG - 150 WSP



## Material Specifications

No.	Part	Materials
1	Body	WCB Carbon Steel
2	End Cap (2)	WCB Carbon Steel
3	Ball	CF8M Stainless Steel
4	Seat (2)	Hostaflo <sup>®</sup> TFM 1600
5	Stem	316 Stainless Steel
6	Packing (2)	RPTFE
7	Stem Seal	Hostaflo <sup>®</sup> TFM 1600
8	Packing Gland	1045 Carbon Steel
9	Body Seal (2)	Grafoil
10	Handle	A283 Carbon Steel
11	Handle Nut	304 Stainless Steel
12	Stop Plate	304 Stainless Steel
13	Lock Pin	304 Stainless Steel
14	Body Bolt (8)	A193-B7 Steel

## Dimensions

Part No.	Size	A	B	C	D	Torque
601-613	1/2"	2.72	2.47	4.15	0.43	85
601-614	3/4"	2.94	2.70	4.15	0.55	150
601-615	1"	3.50	3.19	5.00	0.81	180
601-616	1-1/4"	3.90	3.64	5.98	0.98	210
601-617	1-1/2"	4.42	3.88	7.76	1.25	320
601-618	2"	5.04	4.09	7.76	1.50	440



**WARNING:** This product can expose you to chemicals including diisononyl phthalate (DINP), which is known to the State of California to cause cancer, and diisononyl phthalate (DINP), which is known to the State of California to cause birth defects or other reproductive harm. For more information go to [www.P65Warnings.ca.gov](http://www.P65Warnings.ca.gov).

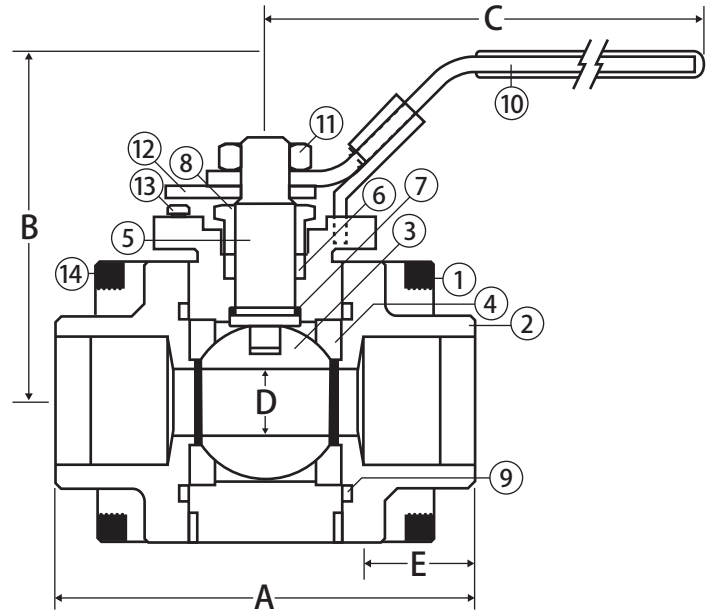
# Carbon Steel Ball Valve



**3 Piece 4 Bolt Enclosed • Standard Port • Socket Weld •  
2000 WOG • Stainless Steel Ball and Stem**



**S-CS-2001N-SS-4B**



## Features

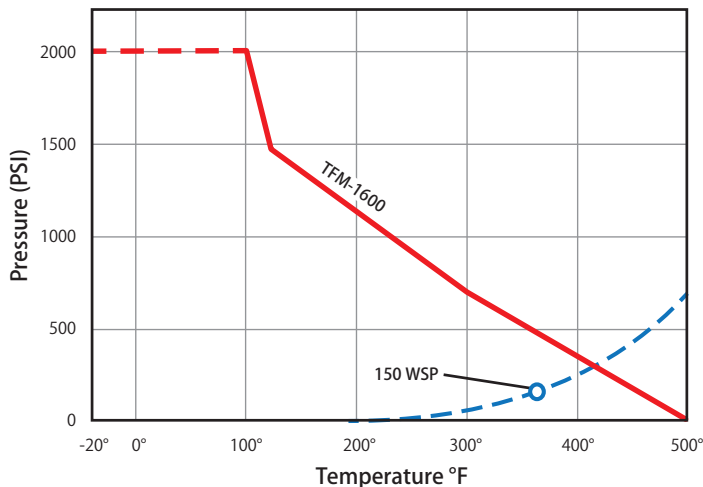
- Latch lock may be locked in open or closed position
- Solid ball construction
- Blow out proof stem
- 29 in-Hg vacuum rating
- Fire safe rated
- 100% leak tested
- Wetted surfaces contain less than .25% lead content
- Repair kits available

## Approvals

- API 607 (4th edition) - fire safe rated
- Conforms to API 598
- NACE Certified
- MSS SP-110, SP-61, SP-82
- ASME B16.34 (1/2" - 1-1/2")
- ANSI B16.11

## Valve Seat Rating

2000 WOG - 150 WSP



## Material Specifications

No.	Part	Materials
1	Body	WCB Carbon Steel
2	End Cap (2)	WCB Carbon Steel
3	Ball	CF8M Stainless Steel
4	Seat (2)	Hostaflo <sup>®</sup> TFM 1600
5	Stem	316 Stainless Steel
6	Packing (2)	RPTFE
7	Stem Seal	Hostaflo <sup>®</sup> TFM 1600
8	Packing Gland	1045 Carbon Steel
9	Body Seal (2)	Grafoil
10	Handle	A283 Carbon Steel
11	Handle Nut	304 Stainless Steel
12	Stop Plate	304 Stainless Steel
13	Lock Pin	304 Stainless Steel
14	Body Bolt (8)	A193-B7 Steel

## Dimensions

Part No.	Size	A	B	C	D	E	Torque
601-633	1/2"	2.72	2.47	4.15	0.43	0.38	85
601-634	3/4"	2.94	2.70	4.15	0.55	0.50	150
601-635	1"	3.50	3.19	5.00	0.81	0.50	180
601-636	1-1/4"	3.90	3.64	5.98	0.98	0.50	210
601-637	1-1/2"	4.42	3.88	7.76	1.25	0.50	320
601-638	2"	5.04	4.09	7.76	1.50	0.62	440

**WARNING:** This product can expose you to chemicals including diisononyl phthalate (DINP), which is known to the State of California to cause cancer, and diisononyl phthalate (DINP), which is known to the State of California to cause birth defects or other reproductive harm. For more information go to [www.P65Warnings.ca.gov](http://www.P65Warnings.ca.gov).

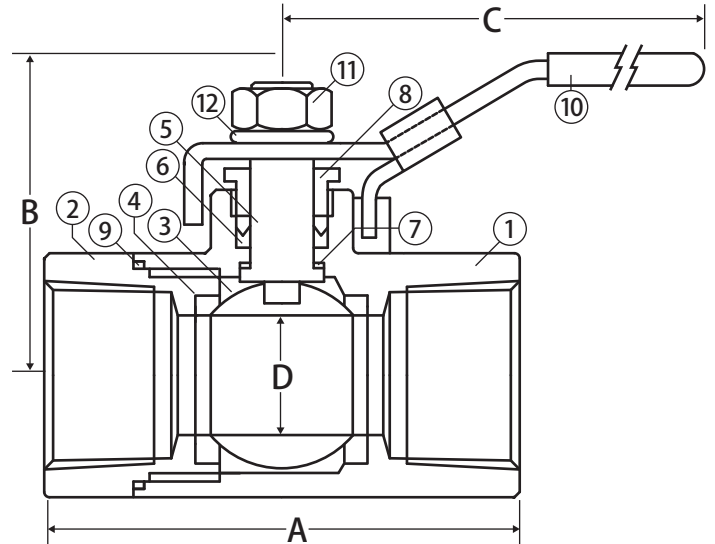
LIT-JV-C 082018

# Carbon Steel Ball Valve

2 Piece • Standard Port • Threaded Connection • 2000 WOG •  
Stainless Steel Ball and Stem



T-CS-2000N-SS



## Features

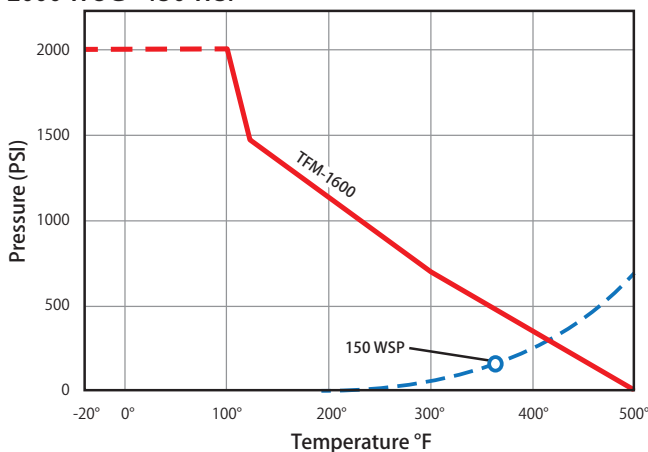
- Solid ball construction
- 29 in-Hg vacuum rating
- Latch lock may be locked in open or closed position
- 100% leak tested
- Wetted surfaces contain less than .25% lead content

## Approvals

- UL Listed
  - MHKZ - Manual valves
  - YQNZ - Compressed gas shut-off valves
  - YRBX - Flammable liquid shut-off valves
  - YRPV - Gas shut-off valves
  - YSDT - LP gas shut-off valves
  - YQAR - Anhydrous ammonia shut-off valves
- Conforms to API 598
- ANSI B1.20.1
- NACE Certified
- MSS SP-110

## Valve Seat Rating

2000 WOG - 150 WSP



## Material Specifications

No.	Part	Materials
1	Body	WCB Carbon Steel
2	End Connection	WCB Carbon Steel
3	Ball	CF8M Stainless Steel
4	Seat (2)	Hostaflon® TFM 1600
5	Stem	316 Stainless Steel
6	Packing (2)	RPTFE
7	Stem Seal	Hostaflon® TFM 1600
8	Packing Gland	12L14 Carbon Steel
9	Body Seal	Hostaflon® TFM 1600
10	Handle	A283 Carbon Steel
11	Handle Nut	A283 Carbon Steel
12	Lock Washer	A283 Carbon Steel

## Dimensions

Part No.	Size	A	B	C	D	Torque
100-951	1/4"	2.07	1.76	4.33	0.37	35
100-952	3/8"	2.07	1.76	4.33	0.37	35
100-953	1/2"	2.34	1.92	4.33	0.50	65
100-954	3/4"	2.80	2.40	5.83	0.69	100
100-955	1"	3.23	2.56	5.83	0.87	120
100-956	1-1/4"	3.57	2.74	7.76	1.00	210
100-957	1-1/2"	4.04	2.98	7.76	1.25	300
100-958	2"	4.63	3.17	7.76	1.50	400

**WARNING:** This product can expose you to chemicals including diisononyl phthalate (DINP), which is known to the State of California to cause cancer, and diisononyl phthalate (DINP), which is known to the State of California to cause birth defects or other reproductive harm. For more information go to [www.P65Warnings.ca.gov](http://www.P65Warnings.ca.gov).

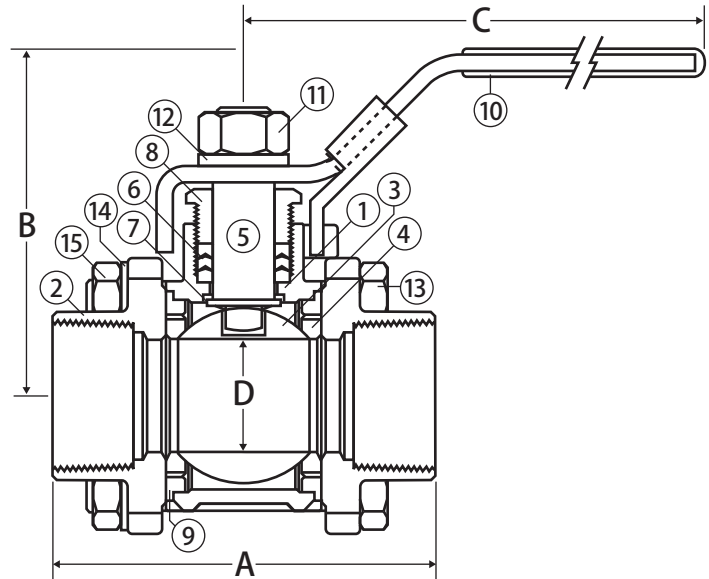
# Carbon Steel Ball Valve



**3 Piece 4 Bolt • Swing Out Body • Full Port • Threaded Connection • 1000 WOG • Stainless Steel Ball and Stem**



**T-CS-1000N-SS-4B**



## Features

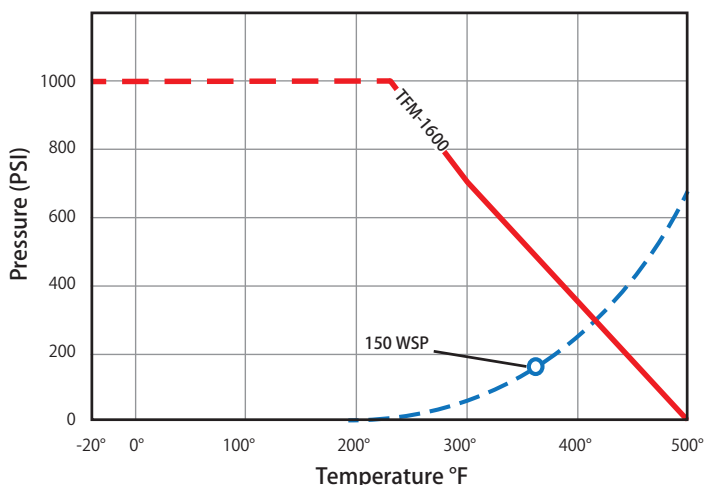
- Latch lock may be locked in open or closed position
- 29 in.-Hg vacuum rating
- 100% leak tested
- Wetted surfaces contain less than .25% lead content
- Repair kits available

## Approvals

- UL Listed
  - MHKZ - Manual valves
  - YQNZ - Compressed gas shut-off valves
  - YRBX - Flammable liquid shut-off valves
  - YRPV - Gas shut-off valves
  - YSDT - LP gas shut-off valves
  - YQAR - Anhydrous ammonia shut-off valves
- NACE Certified
- MSS SP-110
- ANSI B1.20.1
- ANSI B16.11
- Conforms to API 598

## Valve Seat Rating

1000 WOG - 150 WSP



## Material Specifications

No.	Part	Materials
1	Body	WCB Carbon Steel
2	End Cap (2)	WCB Carbon Steel
3	Ball	CF8M Stainless Steel
4	Seat (2)*	Hostaflon® TFM 1600
5	Stem	316 Stainless Steel
6	Packing (2)*	RPTFE
7	Stem Seal*	Hostaflon® TFM 1600
8	Packing Gland	1045 Carbon Steel
9	Body Seal (2)*	Hostaflon® TFM 1600
10	Handle	A283 Carbon Steel
11	Handle Nut	A283 Carbon Steel
12	Lock Washer	A283 Carbon Steel
13	Body Bolt (4)	A283 Carbon Steel
14	Body Lock Washer (4)	A283 Carbon Steel
15	Body Nut (4)	A283 Carbon Steel

\*Included in repair kit

## Dimensions

Part No.	Size	A	B	C	D	Torque
500-401	1/4"	2.37	2.18	4.30	0.43	60
500-402	3/8"	2.37	2.18	4.30	0.43	60
500-403	1/2"	2.76	2.38	4.30	0.56	80
500-404	3/4"	3.03	2.87	5.81	0.81	150
500-405	1"	3.63	2.95	5.81	1.00	250
500-406	1-1/4"	4.14	3.66	7.44	1.25	320
500-407	1-1/2"	4.73	3.94	7.44	1.50	400
500-408	2"	5.43	4.25	7.81	1.97	480



**WARNING:** This product can expose you to chemicals including diisononyl phthalate (DINP), which is known to the State of California to cause cancer, and diisononyl phthalate (DINP), which is known to the State of California to cause birth defects or other reproductive harm. For more information go to [www.P65Warnings.ca.gov](http://www.P65Warnings.ca.gov).

LIT-JV-C 082018

# Carbon Steel Ball Valve

**3 Piece 4 Bolt • Swing Out Body • Full Port • Socket Weld •  
1000 WOG • Stainless Steel Ball and Stem**



**S-CS-1000N-SS-4B**

## Features

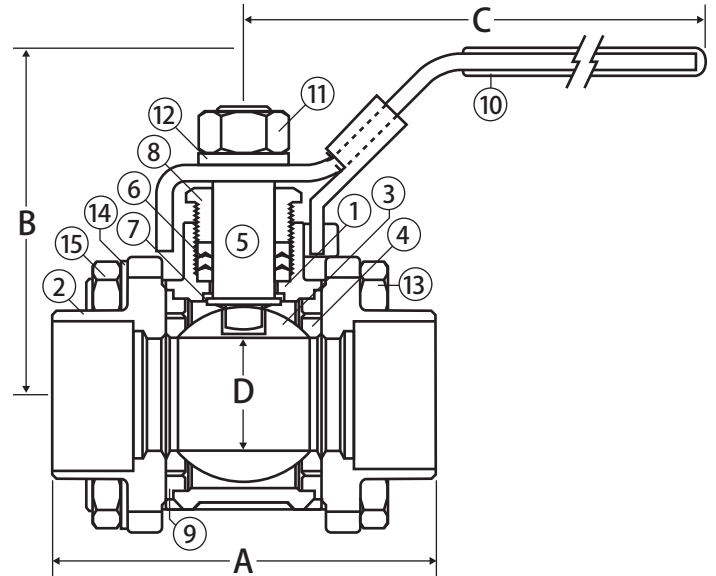
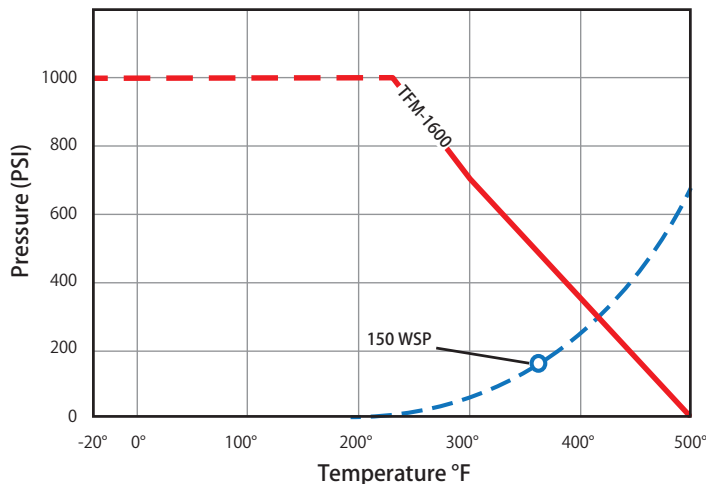
- Latch lock may be locked in open or closed position
- 29 in-Hg vacuum rating
- 100% leak tested
- Wetted surfaces contain less than .25% lead content
- Repair kits available

## Approvals

- UL Listed
  - YSDT - LP gas shut-off valves
  - YQAR - Anhydrous ammonia shut-off valves
- NACE Certified
- MSS SP-110
- ANSI B16.11
- Conforms to API 598

## Valve Seat Rating

**1000 WOG - 150 WSP**



## Material Specifications

No.	Part	Materials
1	Body	WCB Carbon Steel
2	End Cap (2)	WCB Carbon Steel
3	Ball	CF8M Stainless Steel
4	Seat (2)*	Hostaflo <sup>®</sup> TFM 1600
5	Stem	316 Stainless Steel
6	Packing (2)*	RPTFE
7	Stem Seal*	Hostaflo <sup>®</sup> TFM 1600
8	Packing Gland	1045 Carbon Steel
9	Body Seal (2)*	Hostaflo <sup>®</sup> TFM 1600
10	Handle	A283 Carbon Steel
11	Handle Nut	A283 Carbon Steel
12	Lock Washer	A283 Carbon Steel
13	Body Bolt (4)	A283 Carbon Steel
14	Body Lock Washer (4)	A283 Carbon Steel
15	Body Nut (4)	A283 Carbon Steel

\*Included in repair kit

## Dimensions

Part No.	Size	A	B	C	D	Torque
500-503	1/2"	2.76	2.38	4.30	0.56	80
500-504	3/4"	3.03	2.87	5.81	0.81	150
500-505	1"	3.63	2.95	5.81	1.00	250
500-506	1-1/4"	4.14	3.66	7.44	1.25	320
500-507	1-1/2"	4.73	3.94	7.44	1.50	400
500-508	2"	5.43	4.25	7.81	1.97	480



**WARNING:** This product can expose you to chemicals including diisononyl phthalate (DINP), which is known to the State of California to cause cancer, and diisononyl phthalate (DINP), which is known to the State of California to cause birth defects or other reproductive harm. For more information go to [www.P65Warnings.ca.gov](http://www.P65Warnings.ca.gov).

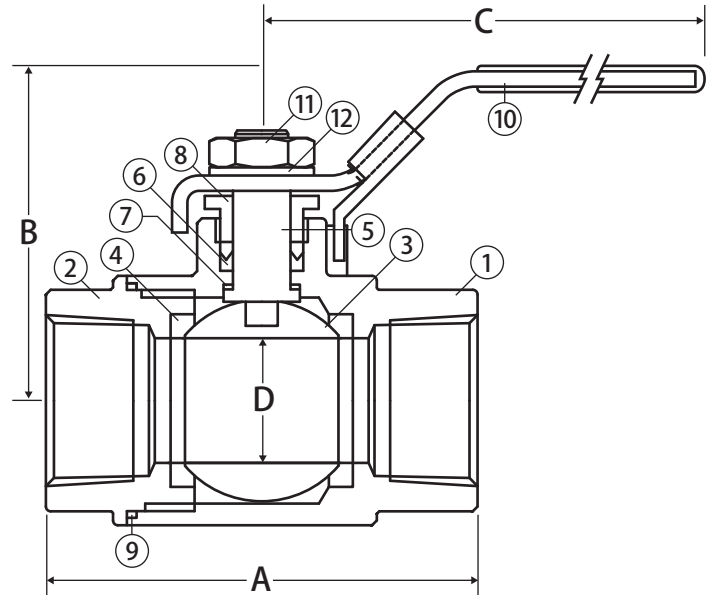
# Carbon Steel Ball Valve



**2 Piece • Full Port • Threaded Connection • 1000 WOG •  
Stainless Steel Ball and Stem**



**T-CS-1001N-SS**



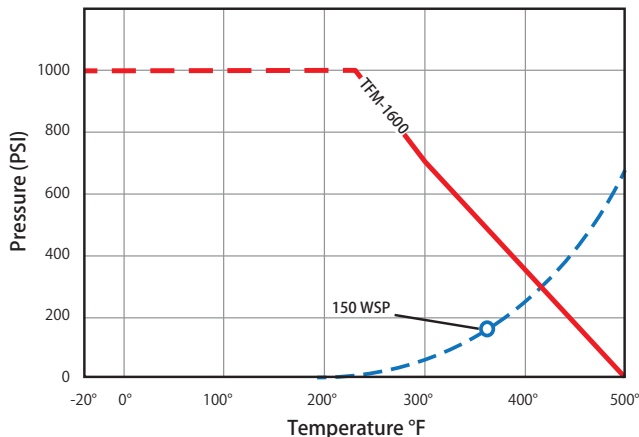
## Features

- Solid ball construction
- Latch lock handle may be locked in open or closed position
- 29 in-Hg vacuum rating
- 100% leak tested
- Wetted surfaces contain less than .25% lead content

## Approvals

- UL Listed
  - MHKZ - Manual valves
  - YQNZ - Compressed gas shut-off valves
  - YRBX - Flammable liquid shut-off valves
  - YRPV - Gas shut-off valves
  - YSDT - LP gas shut-off valves
  - YQAR - Anhydrous ammonia shut-off valves
- Conforms to API 598
- ANSI B16.34
- MSS SP-110, SP-61, SP-82
- NACE Certified
- ANSI B1.20.1

## Valve Seat Rating 1000 WOG - 150 WSP



## Material Specifications

No.	Part	Materials
1	End Connection	WCB Carbon Steel
2	Ball	CF8M Stainless Steel
3	Seat (2)	Hostafion® TFM 1600
4	Stem	316 Stainless Steel
5	Packing (2)	RPTFE
6	Stem Seal	Hostafion® TFM 1600
7	Packing Gland	1045 Carbon Steel
8	Body Seal	Hostafion® TFM 1600
9	Handle	A283 Carbon Steel
10	Handle Nut	A283 Carbon Steel
11	Lock Washer	1008 Carbon Steel
12	Handle Nut	304 Stainless Steel

## Dimensions

Part No.	Size	A	B	C	D	Torque
100-971	1/4"	2.20	2.20	4.21	0.43	40
100-972	3/8"	2.20	2.20	4.21	0.43	40
100-973	1/2"	2.60	2.30	4.21	0.56	40
100-974	3/4"	2.99	2.79	5.73	0.81	60
100-975	1"	3.54	2.96	5.73	1.00	70
100-976	1-1/4"	3.94	3.56	7.45	1.25	110
100-977	1-1/2"	4.41	3.84	7.45	1.50	170
100-978	2"	5.00	4.24	8.08	1.97	250

**WARNING:** This product can expose you to chemicals including diisononyl phthalate (DINP), which is known to the State of California to cause cancer, and diisononyl phthalate (DINP), which is known to the State of California to cause birth defects or other reproductive harm. For more information go to [www.P65Warnings.ca.gov](http://www.P65Warnings.ca.gov).

LIT-JV-C 082018

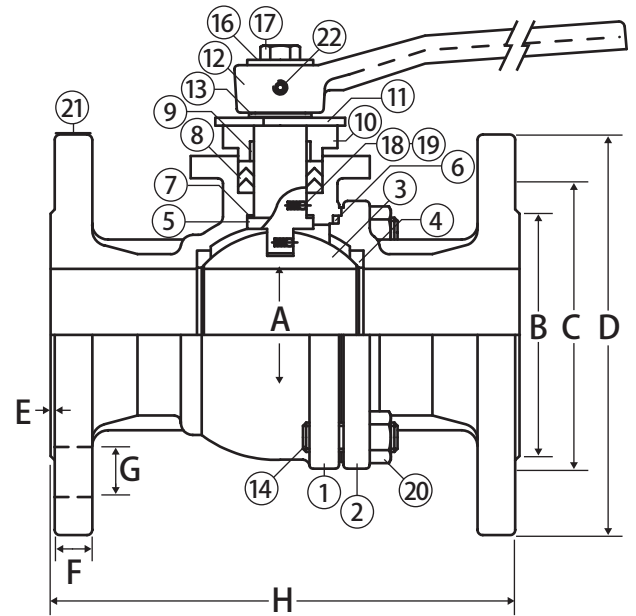
# Stainless Steel Ball Valve

2 Piece • Full Port • Flanged Connection • Class 300



FL-SS-100-300

CRN# 0C15754.524



## Features

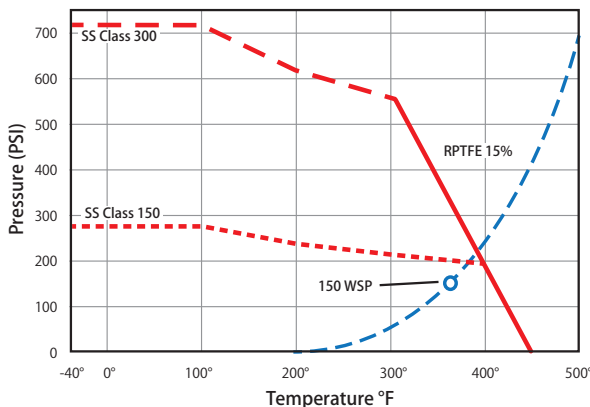
- Wrench operator
- Fire safe stem and body graphite seals
- Air tested seat leakage: 85 PSI
- Hydraulic tested body: 1124 PSI
- Locking device comes standard
- 100% leak tested
- Wetted surfaces contain less than .25% lead content

## Approvals

- CSA Certified
  - ASME B16.33 (125 PSIG) (2")
  - ASME B16.38 (125PSIG) (3"-8")
  - CGA 3.16 (125 PSI)
- Conforms to ANSI B16.34
- Flange: ANSI B16.5
- Face to Face: ANSI B16.10
- API 607 Fire Safe
- NACE 01-75 stainless steel approved

## Valve Seat Rating

Class 300: 700 WOG, Class 150: 300 WOG - 150 WSP



**WARNING:** This product can expose you to chemicals including diisononyl phthalate (DINP), which is known to the State of California to cause cancer, and diisononyl phthalate (DINP), which is known to the State of California to cause birth defects or other reproductive harm. For more information go to [www.P65Warnings.ca.gov](http://www.P65Warnings.ca.gov).

## Material Specifications

No.	Part	Materials
1	Body	CF8M Stainless Steel
2	Body Cap	CF8M Stainless Steel
3	Ball	CF8M Stainless Steel
4	Seat (2) <sup>†</sup>	RPTFE - 15%
5	Stem	316 Stainless Steel
6	Body Seal <sup>†</sup>	PTFE / Graphite
7	Stem Seal <sup>†</sup>	PTFE
8	Packing Gland (3) <sup>†</sup>	PTFE / Graphite
9	Gland Bushing <sup>†</sup>	PTFE
10	Gland Flange	CF8 Stainless Steel
11	Stop Plate	304 Stainless Steel
12	Handle	Ductile Iron
13	Snap Ring	301 Stainless Steel
14	Body Bolt (4 or 6)	A193-B8 Steel
15	Gland Bolt (2) <sup>*</sup>	A193-B8 Steel
16	Handle Washer	304 Stainless Steel
17	Handle Bolt	304 Stainless Steel
18	Static Device (2)	304 Stainless Steel
19	Spring (2)	304 Stainless Steel
20	Body Nut (4 or 6) <sup>**</sup>	A194-8M Steel
21	Tag	304 Stainless Steel
22	Set Screw	304 Stainless Steel

\* Not shown in drawing, \*\* Component only on +5" valves, †Included in repair kit

## Dimensions

Part No.	Size	A	B	C	D	E	F	G	H	Bolts	Torque
600-128	2"	1.97	3.62	5.00	6.50	0.06	0.88	0.75	8.50	8	1068
600-130	3"	3.15	5.00	6.62	8.27	0.06	1.17	0.88	11.10	8	1752
600-131	4"	3.94	6.19	7.88	10.00	0.06	1.25	0.88	12.00	8	3216
600-132	6"	5.90	8.51	10.64	12.53	0.06	1.44	0.88	15.88	12	6900
600-133*	8"	7.88	10.64	13.00	15.01	0.06	1.62	1.00	19.75	12	16620

\*8" Special Order

# Stainless Steel Ball Valve

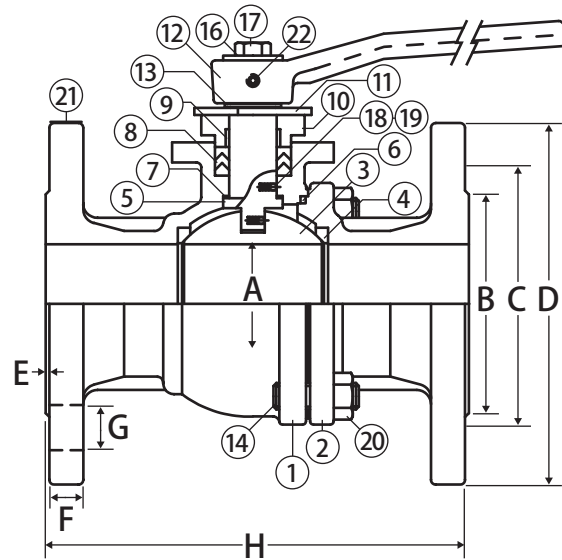


## 2 Piece • Full Port • Flanged Connection • Class 150



FL-SS-100-150

CRN# 0C15754.524



### Features

- Wrench operator
- Fire safe stem and body graphite seals
- Air tested seat leakage: 85 PSI
- Hydraulic tested body: 427 PSI
- Locking device comes standard
- 100% leak tested
- Wetted surfaces contain less than .25% lead content

### Approvals

- UL Listed (1/2" - 8")
  - MHKZ - Manual valves
  - YQNZ - Compressed gas shut-off valves
  - YRBX - Flammable liquid shut-off valves
  - YSDT - LP gas shut-off valves
- CSA Certified
  - ASME B16.33 (125 PSIG) (2")
  - ASME B16.38 (125PSIG) (3"-8")
  - CGA 3.16 (125 PSIG) (2"-8")
- Conforms to ANSI B16.34
- Flange: ANSI B16.5
- Face to Face: ANSI B16.10
- API 607 Fire Safe
- NACE 01-75 stainless steel approved

### Material Specifications

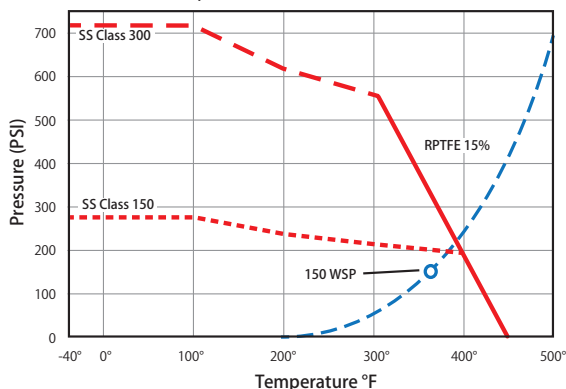
No.	Part	Materials
1	Body	CF8M Stainless Steel
2	Body Cap	CF8M Stainless Steel
3	Ball	CF8M Stainless Steel
4	Seat (2)*	RPTFE - 15%
5	Stem	316 Stainless Steel
6	Body Seal†	PTFE / Graphite
7	Stem Seal†	PTFE
8	Packing (3)†	PTFE / Graphite
9	Gland Bushing†	PTFE
10	Gland Flange	CF8 Stainless Steel
11	Stop Plate	304 Stainless Steel
12	Handle	WCB Carbon Steel
13	Snap Ring	301 Stainless Steel
14	Body Bolt (4 or 6)	A193-B8M Steel
15	Gland Bolt (2)*	304 Stainless Steel
16	Handle Washer	304 Stainless Steel
17	Handle Bolt	304 Stainless Steel
18	Static Device (2)	304 Stainless Steel
19	Spring (2)	304 Stainless Steel
20	Body Nut (4 or 6)**	A194-8M Steel
21	Tag	304 Stainless Steel
22	Set Screw	304 Stainless Steel

\* Not shown in drawing, \*\* Component only on +5" valves, †Included in repair kit

LIT-JV-C 082018

### Valve Seat Rating

Class 300: 700 WOG, Class 150: 300 WOG - 150 WSP



### Dimensions

Part No.	Size	A	B	C	D	E	F	G	H	Bolts	Torque
600-103	1/2"	0.63	1.38	2.38	3.50	0.06	0.44	0.63	4.25	4	48
600-104	3/4"	0.79	1.69	2.76	3.86	0.06	0.44	0.63	4.61	4	90
600-105	1"	0.98	2.01	3.13	4.25	0.06	0.44	0.63	5.00	4	148
600-107	1-1/2"	1.50	2.87	3.88	5.00	0.06	0.56	0.63	6.50	4	270
600-108	2"	1.97	3.62	4.74	5.98	0.06	0.63	0.75	7.01	4	395
600-109	2-1/2"	2.56	4.13	5.49	7.01	0.06	0.69	0.75	7.48	4	609
600-110	3"	3.15	5.00	6.00	7.48	0.06	0.75	0.75	7.99	4	913
600-111	4"	3.94	6.18	7.50	9.02	0.06	0.94	0.75	9.02	8	1443
600-112	6"	5.98	8.50	9.51	10.98	0.06	1.00	0.87	15.51	8	4870
600-113*	8"	7.99	10.63	11.75	13.50	0.06	1.12	0.87	17.99	8	8522
600-114*	10"	9.84	12.76	14.25	15.98	0.06	1.19	0.98	20.98	12	
600-115*	12"	11.81	12.52	17.01	19.02	0.06	1.25	0.98	24.02	12	

\*8-12" Special Order

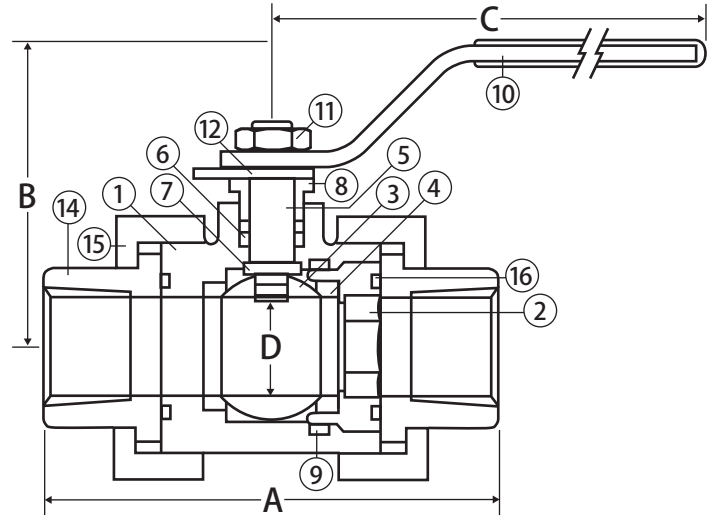


# Stainless Steel Ball Valve

5 Piece • Full Port • Double Union End • Threaded Connection • 3000 WOG



T-SS-2002N-DUE



## Features

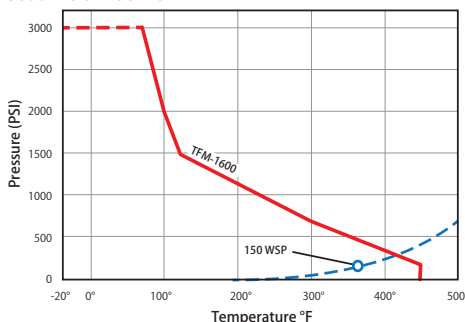
- Solid ball construction
- 5 piece construction
- Mounting pad
- Reversible handle
- Adjustable stem packing with blow out proof stem
- 29 in-Hg vacuum rating
- 100% leak tested
- Wetted surfaces contain less than .25% lead content
- Locking handle available
- Repair kits available

## Approvals

- UL Listed
  - MHKZ - Manual valves
  - YQNZ - Compressed gas shut-off valves
  - YRBX - Flammable liquid shut-off valves
  - YRPV - Gas shut-off valves
  - YSDT - LP gas shut-off valves
  - YQAR - Anhydrous ammonia shut-off valves
- API-598
- ANSI B1.20.1
- ANSI B16.11
- MSS SP-110
- NACE Certified

## Valve Seat Rating

3000 WOG - 150 WSP



## Material Specifications

No.	Part	Materials
1	Body	CF8M Stainless Steel
2	Body Insert	CF8M Stainless Steel
3	Ball	CF8M Stainless Steel
4	Seat (2) <sup>†</sup>	Hostaflon® TFM 1600
5	Stem	316 Stainless Steel
6	Packing (2) <sup>†</sup>	RPTFE
7	Stem Seal <sup>†</sup>	Hostaflon® TFM 1600
8	Packing Gland	304 Stainless Steel
9	Body Seal (1) <sup>†</sup>	Hostaflon® TFM 1600
10	Handle	304 Stainless Steel
11	Handle Nut	304 Stainless Steel
12	Stop Plate	304 Stainless Steel
13	Lock Pin*	304 Stainless Steel
14	Tail Piece (2)	CF8M Stainless Steel
15	Union Nut (2)	CF8M Stainless Steel
16	Union Seal (2) <sup>†</sup>	Hostaflon® TFM 1600

\* Not shown in drawing

<sup>†</sup>Included in repair kit

## Dimensions

Part No.	Size	A	B	C	D	Torque
100-983	1/2"	3.58	2.40	4.17	0.62	65
100-984	3/4"	3.74	2.79	6.97	0.81	100
100-985	1"	4.29	2.96	6.97	1.00	120
100-986	1-1/4"	4.61	3.38	9.84	1.25	210
100-987	1-1/2"	5.24	3.67	9.84	1.50	300
100-988	2"	5.71	4.52	12.24	1.97	400



**WARNING:** This product can expose you to chemicals including diisononyl phthalate (DINP), which is known to the State of California to cause cancer, and diisononyl phthalate (DINP), which is known to the State of California to cause birth defects or other reproductive harm. For more information go to [www.P65Warnings.ca.gov](http://www.P65Warnings.ca.gov).

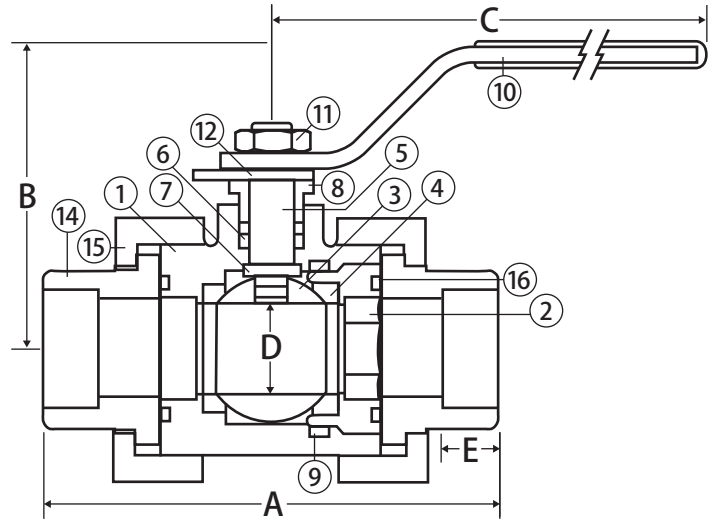
# Stainless Steel Ball Valve



**5 Piece • Full Port • Double Union End • Socket Weld •  
3000 WOG**



**S-SS-2002N-DUE**



## Features

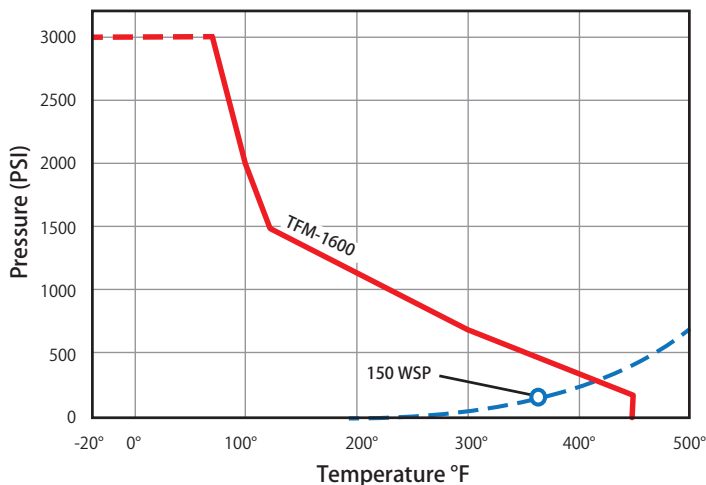
- Solid ball construction
- 5 piece construction
- Mounting pad
- Reversible handle
- Adjustable stem packing with blow out proof stem
- 29 in-Hg vacuum rating
- 100% leak tested
- Wetted surfaces contain less than .25% lead content
- Repair kits available
- Locking handle available

## Approvals

- API-598
- ANSI B16.11
- MSS SP-110
- NACE Certified

## Valve Seat Rating

**3000 WOG - 150 WSP**



## Material Specifications

No.	Part	Materials
1	Body	CF8M Stainless Steel
2	Body Insert	CF8M Stainless Steel
3	Ball	CF8M Stainless Steel
4	Seat (2) <sup>†</sup>	Hostaflo <sup>®</sup> TFM 1600
5	Stem	316 Stainless Steel
6	Packing (2) <sup>†</sup>	RPTFE
7	Stem Seal <sup>†</sup>	Hostaflo <sup>®</sup> TFM 1600
8	Packing Gland	304 Stainless Steel
9	Body Seal (1) <sup>†</sup>	Hostaflo <sup>®</sup> TFM 1600
10	Handle	304 Stainless Steel
11	Handle Nut	304 Stainless Steel
12	Stop Plate	304 Stainless Steel
13	Lock Pin*	304 Stainless Steel
14	Tail Piece (2)	CF8M Stainless Steel
15	Union Nut (2)	CF8M Stainless Steel
16	Union Seal (2) <sup>†</sup>	Hostaflo <sup>®</sup> TFM 1600

\* Not shown in drawing

<sup>†</sup>Included in repair kit

## Dimensions

Part No.	Size	A	B	C	D	E	Torque
101-981	1/4"	3.58	2.40	4.17	0.44	0.41	35
101-982	3/8"	3.58	2.40	4.17	0.44	0.41	35
101-983	1/2"	3.58	2.40	4.17	0.62	0.44	65
101-984	3/4"	3.74	2.79	6.97	0.81	0.56	100
101-985	1"	4.29	2.96	6.97	1.00	0.72	120
101-986	1-1/4"	4.61	3.38	9.84	1.25	0.72	210
101-987	1-1/2"	5.24	3.67	9.84	1.50	0.72	300
101-988	2"	5.71	4.52	12.24	1.97	0.84	400



**WARNING:** This product can expose you to chemicals including diisononyl phthalate (DINP), which is known to the State of California to cause cancer, and diisononyl phthalate (DINP), which is known to the State of California to cause birth defects or other reproductive harm. For more information go to [www.P65Warnings.ca.gov](http://www.P65Warnings.ca.gov).

LT-JV-C 082018

# Stainless Steel Ball Valve

**3 Piece 4 Bolt Enclosed • Standard Port • Threaded Connection • 2000 WOG**



**T-SS-2001N-4B**

## Features

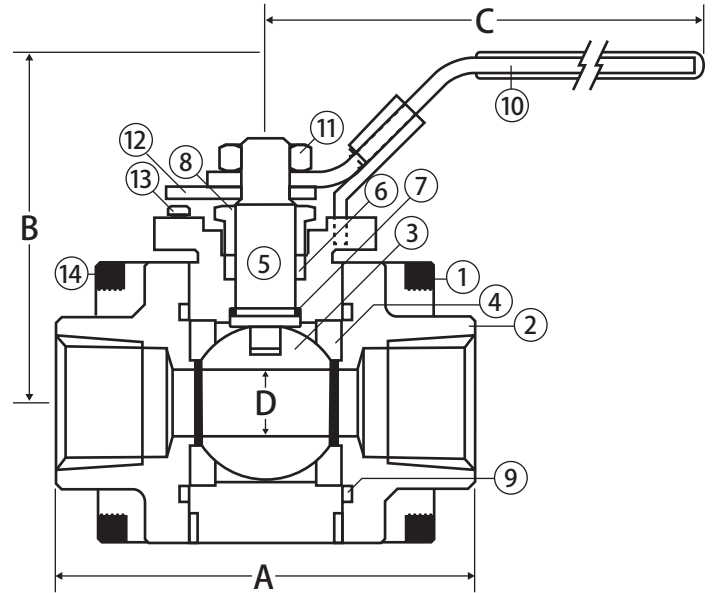
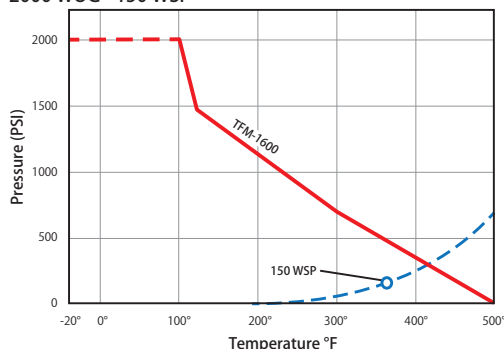
- Latch lock handle may be locked in open or closed position
- Solid ball construction
- Blow out proof stem
- 29 in-Hg vacuum rating
- Fire safe rated
- 100% leak tested
- Wetted surfaces contain less than .25% lead content
- Repair kits available

## Approvals

- UL Listed
  - MHKZ - Manual valves
  - YQNZ - Compressed gas shut-off valves
  - YRBX - Flammable liquid shut-off valves
  - YRPV - Gas shut-off valves
  - YSDT - LP gas shut-off valves
  - YQAR - Anhydrous ammonia shut-off valves
- API 607 (4th edition) - Fire Safe Rated
- Conforms to API 598
- MSS SP-110, SP-61, SP-81
- NACE Certified
- ASME B16.34 (1/2" - 1-1/2")
- ANSI B1.20.1
- ANSI B16.11

## Valve Seat Rating

2000 WOG - 150 WSP



## Material Specifications

No.	Part	Materials
1	Body	CF8M Stainless Steel
2	End Cap (2)	CF8M Stainless Steel
3	Ball	CF8M Stainless Steel
4	Seat (2)	Hostaflon® TFM 1600
5	Stem	316 Stainless Steel
6	Packing (2)	RPTFE
7	Stem Seal	Hostaflon® TFM 1600
8	Packing Gland	304 Stainless Steel
9	Body Seal (2)	Grafoil
10	Handle	304 Stainless Steel
11	Handle Nut	304 Stainless Steel
12	Stop Plate	304 Stainless Steel
13	Lock Pin	304 Stainless Steel
14	Body Bolt (8)	A193-B8 Stainless Steel

## Dimensions

Part No.	Size	A	B	C	D	Torque
601-603	1/2"	2.72	2.47	4.15	0.43	85
601-604	3/4"	2.94	2.70	4.15	0.55	150
601-605	1"	3.50	3.19	5.00	0.81	180
601-606	1-1/4"	3.90	3.64	5.98	0.98	210
601-607	1-1/2"	4.42	3.88	7.76	1.25	320
601-608	2"	5.04	4.09	7.76	1.50	440



**WARNING:** This product can expose you to chemicals including diisononyl phthalate (DINP), which is known to the State of California to cause cancer, and diisononyl phthalate (DINP), which is known to the State of California to cause birth defects or other reproductive harm. For more information go to [www.P65Warnings.ca.gov](http://www.P65Warnings.ca.gov).

# Stainless Steel Ball Valve



**3 Piece 4 Bolt Enclosed • Standard Port • Socket Weld •  
2000 WOG**



**S-SS-2001N-4B**

## Features

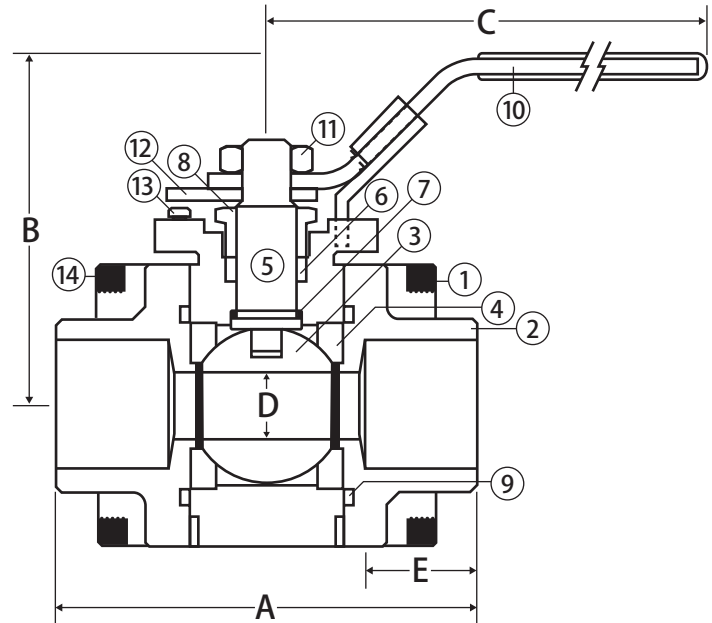
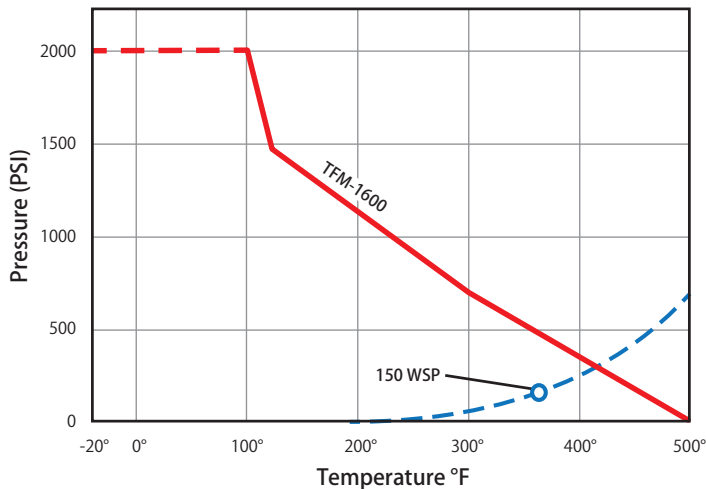
- Latch lock handle may be locked in open or closed position
- Solid ball construction
- Blow out proof stem
- 29 in-Hg vacuum rating
- Fire safe rated
- 100% leak tested
- Wetted surfaces contain less than .25% lead content
- Repair kits available

## Approvals

- API 607 (4th edition) - Fire Safe Rated
- Conforms to API 598
- MSS SP-110, SP-61, SP-82
- NACE Certified
- ASME B16.34 (1/2" - 1-1/2")
- ANSI B16.11

## Valve Seat Rating

2000 WOG - 150 WSP



## Material Specifications

No.	Part	Materials
1	Body	CF8M Stainless Steel
2	End Cap (2)	CF8M Stainless Steel
3	Ball	CF8M Stainless Steel
4	Seat (2)	Hostaflon® TFM 1600
5	Stem	316 Stainless Steel
6	Packing (2)	RPTFE
7	Stem Seal	Hostaflon® TFM 1600
8	Packing Gland	304 Stainless Steel
9	Body Seal (2)	Grafoil
10	Handle	304 Stainless Steel
11	Handle Nut	304 Stainless Steel
12	Stop Plate	304 Stainless Steel
13	Lock Pin	304 Stainless Steel
14	Body Bolt (8)	A193-B8 Stainless Steel

## Dimensions

Part No.	Size	A	B	C	D	E	Torque
601-623	1/2"	2.72	2.47	4.15	0.43	0.38	85
601-624	3/4"	2.94	2.70	4.15	0.55	0.50	150
601-625	1"	3.50	3.19	5.00	0.81	0.50	180
601-626	1-1/4"	3.90	3.64	5.98	0.98	0.50	210
601-627	1-1/2"	4.42	3.88	7.76	1.25	0.50	320
601-628	2"	5.04	4.09	7.76	1.50	0.62	440

**WARNING:** This product can expose you to chemicals including diisononyl phthalate (DINP), which is known to the State of California to cause cancer, and diisononyl phthalate (DINP), which is known to the State of California to cause birth defects or other reproductive harm. For more information go to [www.P65Warnings.ca.gov](http://www.P65Warnings.ca.gov).

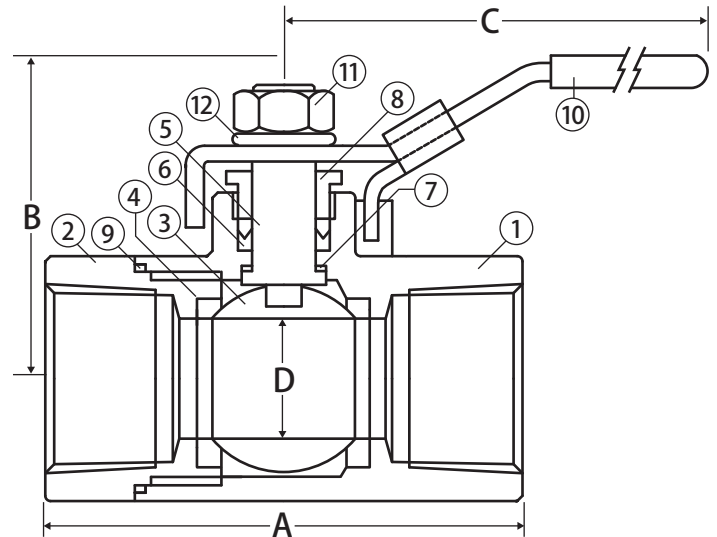
LT-JV-C 082018

# Stainless Steel Ball Valve

2 Piece • Standard Port • Threaded Connection • 2000 WOG



**T-SS-2000N**



### Features

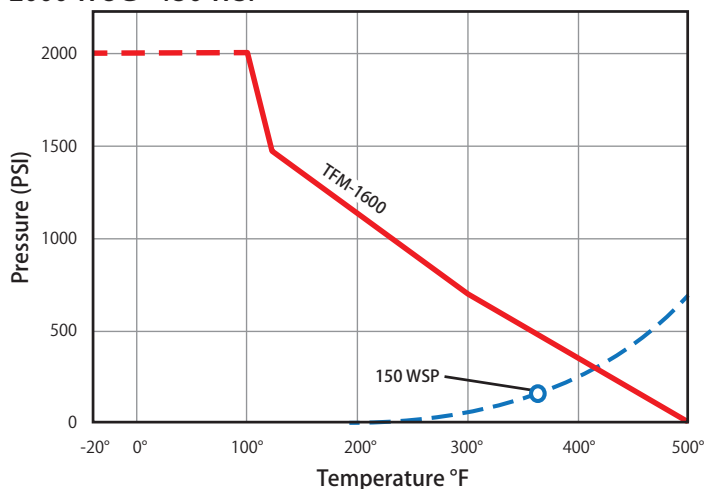
- Solid ball construction
- 29 in-Hg vacuum rating
- Latch lock may be locked in open or closed position
- 100% leak tested
- Wetted surfaces contain less than .25% lead content

### Approvals

- UL Listed
  - MHKZ - Manual valves
  - YQNZ - Compressed gas shut-off valves
  - YRBX - Flammable liquid shut-off valves
  - YRPV - Gas shut-off valves
  - YSDT - LP gas shut-off valves
  - YQAR - Anhydrous ammonia shut-off valves
- Conforms to API 598
- ANSI B1.20.1
- MSS SP-110
- NACE Certified

### Valve Seat Rating

2000 WOG - 150 WSP



### Material Specifications

No.	Part	Materials
1	Body	CF8M Stainless Steel
2	End Connection	CF8M Stainless Steel
3	Ball	CF8M Stainless Steel
4	Seat (2)	Hostaflo <sup>®</sup> TFM 1600
5	Stem	316 Stainless Steel
6	Packing (2)	RPTFE
7	Stem Seal	Hostaflo <sup>®</sup> TFM 1600
8	Packing Gland	316 Stainless Steel
9	Body Seal	Hostaflo <sup>®</sup> TFM 1600
10	Handle	304 Stainless Steel
11	Handle Nut	304 Stainless Steel
12	Lock Washer	304 Stainless Steel

### Dimensions

Part No.	Size	A	B	C	D	Torque
100-931	1/4"	2.07	1.76	4.33	0.37	35
100-932	3/8"	2.07	1.76	4.33	0.37	35
100-933	1/2"	2.34	1.92	4.33	0.50	65
100-934	3/4"	2.80	2.40	5.83	0.69	100
100-935	1"	3.23	2.56	5.83	0.87	120
100-936	1-1/4"	3.57	2.74	7.76	1.00	210
100-937	1-1/2"	4.04	2.98	7.76	1.25	300
100-938	2"	4.63	3.17	7.76	1.50	400



**WARNING:** This product can expose you to chemicals including diisononyl phthalate (DINP), which is known to the State of California to cause cancer, and diisononyl phthalate (DINP), which is known to the State of California to cause birth defects or other reproductive harm. For more information go to [www.P65Warnings.ca.gov](http://www.P65Warnings.ca.gov).

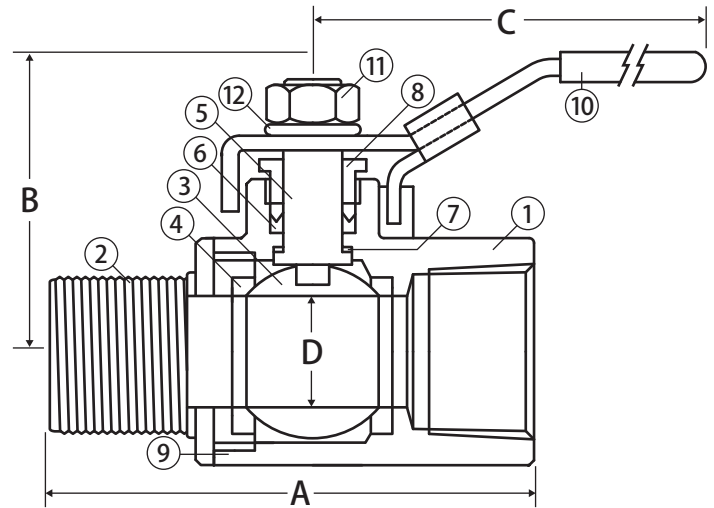
# Stainless Steel Ball Valve



2 Piece • Standard Port • Male x Female Connection • 2000 WOG



T-SS-2000N-MF



## Features

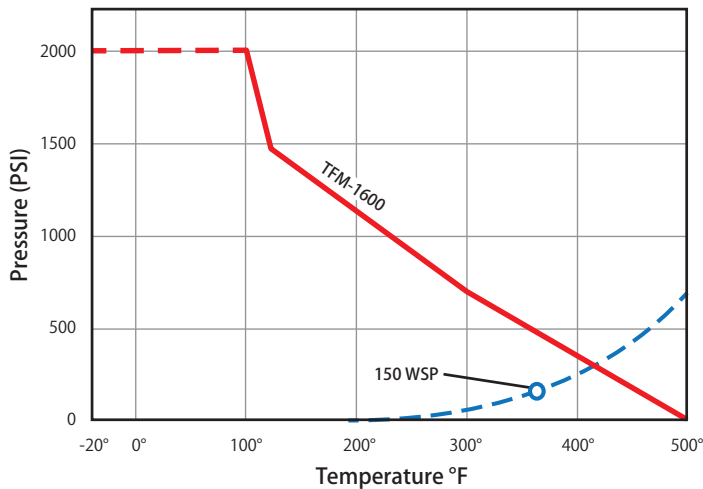
- Solid ball construction
- 29 in-Hg vacuum rating
- Latch lock may be locked in open or closed position
- 100% leak tested
- Wetted surfaces contain less than .25% lead content

## Approvals

- Conforms to API 598
- ANSI B1.20.1
- MSS SP-110
- NACE Certified

## Valve Seat Rating

2000 WOG - 150 WSP



## Material Specifications

No.	Part	Materials
1	Body	CF8M Stainless Steel
2	End Connection	CF8M Stainless Steel
3	Ball	CF8M Stainless Steel
4	Seat (2)	Hostafon® TFM 1600
5	Stem	316 Stainless Steel
6	Packing (2)	RPTFE
7	Stem Seal	Hostafon® TFM 1600
8	Packing Gland	316 Stainless Steel
9	Body Seal	Hostafon® TFM 1600
10	Handle	304 Stainless Steel
11	Handle Nut	304 Stainless Steel
12	Lock Washer	304 Stainless Steel

## Dimensions

Part No.	Size	A	B	C	D	Torque
101-931	1/4"	2.44	1.75	4.06	0.38	35
101-932	3/8"	2.44	1.75	4.06	0.38	35
101-933	1/2"	2.89	1.94	4.06	0.49	65
101-934	3/4"	3.26	2.21	4.06	0.59	100
101-935	1"	3.62	2.49	4.29	0.79	120

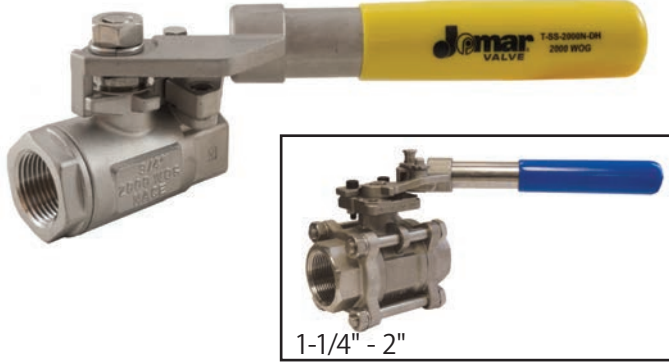


**WARNING:** This product can expose you to chemicals including diisononyl phthalate (DINP), which is known to the State of California to cause cancer, and diisononyl phthalate (DINP), which is known to the State of California to cause birth defects or other reproductive harm. For more information go to [www.P65Warnings.ca.gov](http://www.P65Warnings.ca.gov).

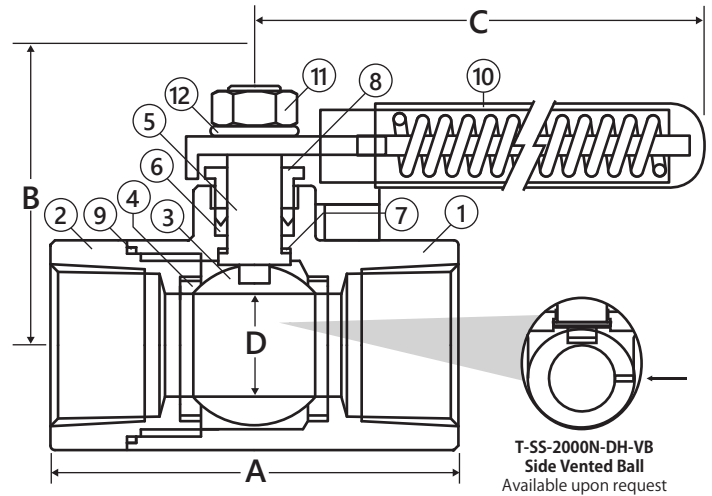
LT-JV-C 082018

# Stainless Steel Ball Valve

2 Piece • Standard Port • Threaded Connection • 2000 WOG • with Spring Return Handle



T-SS-2000N-DH



## Features

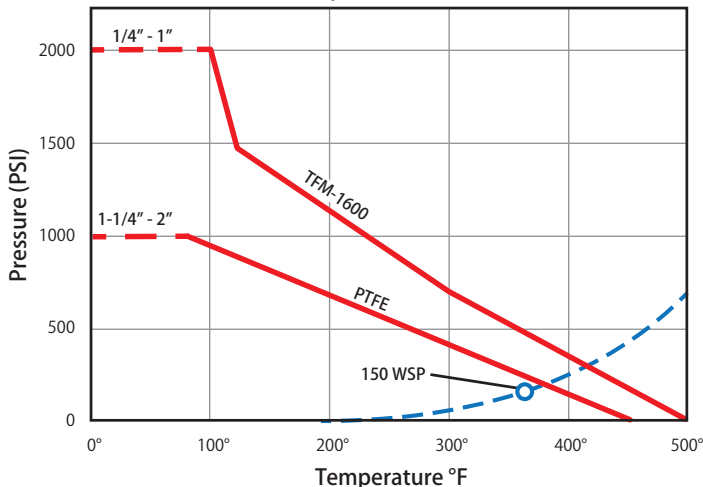
- 1-1/4" - 2" 3 piece, 4 bolt pattern
- Fail safe position
- Solid ball construction
- 29 in-Hg vacuum rating
- 100% leak tested
- Wetted surfaces contain less than .25% lead content

## Approvals

- UL Listed (1/4" - 1")
  - MHKZ - Manual valves
  - YQNZ - Compressed gas shut-off valves
  - YRBX - Flammable liquid shut-off valves
  - YRPV - Gas shut-off valves
  - YSDT - LP gas shut-off valves
  - YQAR - Anhydrous ammonia shut-off valves
- MSS SP-110
- ANSI B1.20.1

## Valve Seat Rating

1/4 - 1" 2000 WOG - 150 WSP, 1-1/4" - 2" 1000 WOG - 150 WSP



## Material Specifications

No.	Part	Materials
1	Body	CF8M Stainless Steel
2	End Connection	CF8M Stainless Steel
3	Ball	CF8M Stainless Steel
4	Seat (2)	Hostaflon® TFM 1600
5	Stem	316 Stainless Steel
6	Packing (2)	RPTFE
7	Stem Seal	Hostaflon® TFM 1600
8	Packing Gland	316 Stainless Steel
9	Body Seal	Hostaflon® TFM 1600
10	Handle - Dead Man	304 / 301 Stainless Steel
11	Handle Nut	304 Stainless Steel
12	Lock Washer	304 Stainless Steel

Note: For 1-1/4" - 2" material specifications see A1000

## Dimensions

Part No.	Size	A	B	C	D
100-931DH	1/4"	2.07	1.76	7.09	0.37
100-932DH	3/8"	2.07	1.76	7.09	0.37
100-933DH	1/2"	2.34	1.92	7.09	0.50
100-934DH	3/4"	2.80	2.40	7.28	0.69
100-935DH	1"	3.23	2.56	7.28	0.87
100-936DH*	1-1/4"	4.33	2.71	8.66	1.38
100-937DH*	1-1/2"	4.75	3.22	11.02	1.63
100-938DH*	2"	5.52	3.55	11.02	1.97

\*1-1/4" - 2" 3 piece, 4 bolt pattern

**WARNING:** This product can expose you to chemicals including diisononyl phthalate (DINP), which is known to the State of California to cause cancer, and diisononyl phthalate (DINP), which is known to the State of California to cause birth defects or other reproductive harm. For more information go to [www.P65Warnings.ca.gov](http://www.P65Warnings.ca.gov).

# Stainless Steel Ball Valve

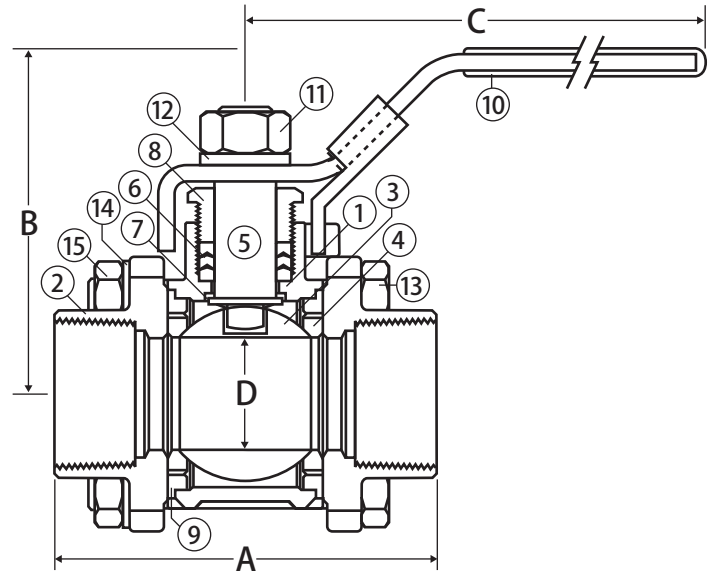


**3 Piece 4 Bolt • Swing Out Body • Full Port • Threaded Connection • 1000 WOG**



CRN# OC15459.5

**T-SS-1000N-4B**



## Features

- Latch lock may be locked in open or closed positions
- 29 in-Hg vacuum rating
- 100% leak tested
- Wetted surfaces contain less than .25% lead content
- Repair kits available

## Approvals

- UL Listed (1/4" - 2")
  - MHKZ - Manual valves
  - YQNZ - Compressed gas shut-off valves
  - YRBX - Flammable liquid shut-off valves
  - YRPV - Gas shut-off valves
  - YSDT - LP gas shut-off valves
  - YQAR - Anhydrous ammonia shut-off valves
- MSS SP-110
- NACE Certified
- ANSI B1.20.1
- ANSI B16.11
- Conforms to API 598

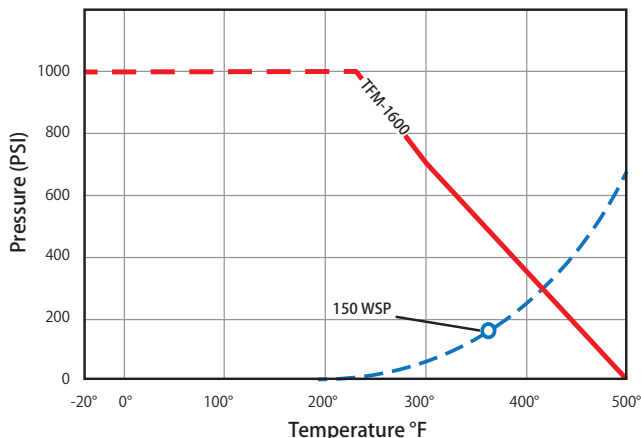
## Material Specifications

No.	Part	Materials
1	Body	CF8M Stainless Steel
2	End Cap (2)	CF8M Stainless Steel
3	Ball	CF8M Stainless Steel
4	Seat (2)*	Hostaflon® TFM 1600
5	Stem	316 Stainless Steel
6	Packing (2)*	RPTFE
7	Stem Seal*	Hostaflon® TFM 1600
8	Packing Gland	316 Stainless Steel
9	Body Seal (2)*	Hostaflon® TFM 1600
10	Handle	304 Stainless Steel
11	Handle Nut	304 Stainless Steel
12	Lock Washer	304 Stainless Steel
13	Body Bolt (4)	304 Stainless Steel
14	Body Lock Washer (4)	304 Stainless Steel
15	Body Nut (4)	304 Stainless Steel

\*Included in repair kit

## Valve Seat Rating

1000 WOG - 150 WSP



## Dimensions

Part No.	Size	A	B	C	D	Torque
500-301	1/4"	2.37	2.18	4.30	0.37	60
500-302	3/8"	2.37	2.18	4.30	0.37	60
500-303	1/2"	2.76	2.38	4.30	0.56	80
500-304	3/4"	3.03	2.87	5.81	0.81	150
500-305	1"	3.63	2.95	5.81	1.00	250
500-306	1-1/4"	4.14	3.66	7.44	1.25	320
500-307	1-1/2"	4.73	3.94	7.44	1.50	400
500-308	2"	5.43	4.25	7.81	1.97	480
500-310	3"	7.52	5.26	9.75	3.00	600
500-311	4"	8.54	6.57	11.88	3.93	850

**WARNING:** This product can expose you to chemicals including diisononyl phthalate (DINP), which is known to the State of California to cause cancer, and diisononyl phthalate (DINP), which is known to the State of California to cause birth defects or other reproductive harm. For more information go to [www.P65Warnings.ca.gov](http://www.P65Warnings.ca.gov).



# Stainless Steel Ball Valve

**3 Piece 4 Bolt • Swing Out Body • Full Port • Threaded Connection • 1000 WOG**



CRN# OC15459.5

**T-SS-1000N-4B**

## Features

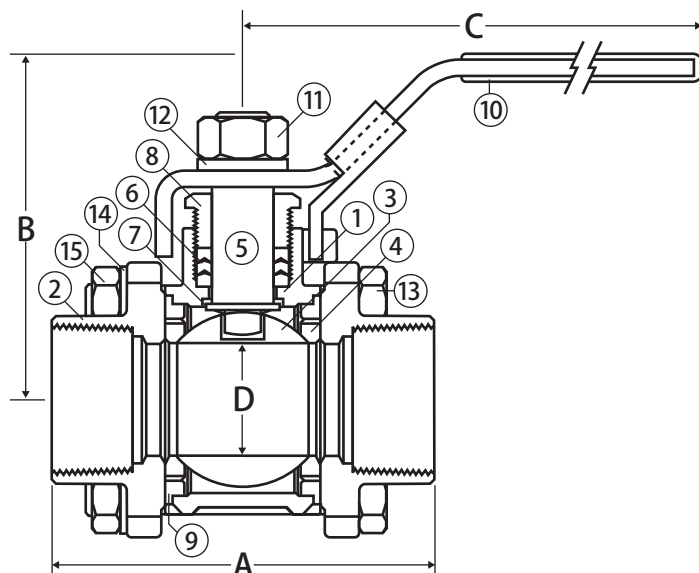
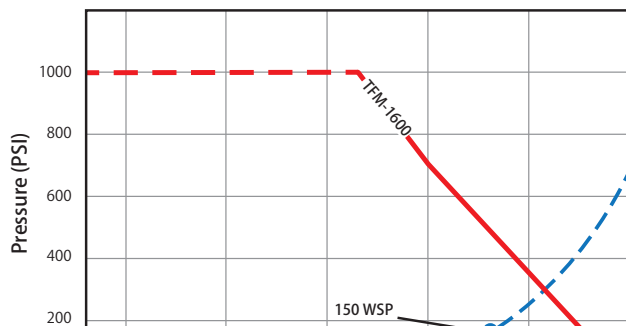
- Latch lock may be locked in open or closed positions
- 29 in-Hg vacuum rating
- 100% leak tested
- Wetted surfaces contain less than .25% lead content
- Repair kits available

## Approvals

- UL Listed (1/4" - 2")
  - MHKZ - Manual valves (1/4" - 2")
  - YQNZ - Compressed gas shut-off valves (1/4" - 2")
  - YRBX - Flammable liquid shut-off valves (1/4" - 2")
  - YRPV - Gas shut-off valves (1/4" - 2")
  - YSDT - LP gas shut-off valves (1/4" - 2")
  - YQAR - Anhydrous ammonia shut-off valves (1/4" - 2")
- MSS SP-110 (1/4" - 2")
- NACE Certified (1/4" - 2")
- ANSI B1.20.1 (1/4" - 2")
- ANSI B16.11(1/4" - 2")
- Conforms to API 598 (1/4" - 2")

## Valve Seat Rating

1000 WOG - 150 WSP



## Material Specifications

No.	Part	Materials
1	Body	CF8M Stainless Steel
2	End Cap (2)	CF8M Stainless Steel
3	Ball	CF8M Stainless Steel
4	Seat (2)*	Hostaflon® TFM 1600
5	Stem	316 Stainless Steel
6	Packing (2)*	RPTFE
7	Stem Seal*	Hostaflon® TFM 1600
8	Packing Gland	316 Stainless Steel
9	Body Seal (2)*	Hostaflon® TFM 1600
10	Handle	304 Stainless Steel
11	Handle Nut	304 Stainless Steel
12	Lock Washer	304 Stainless Steel
13	Body Bolt (4)	304 Stainless Steel
14	Body Lock Washer (4)	304 Stainless Steel
15	Body Nut (4)	304 Stainless Steel

\*Included in repair kit

## Dimensions

Part No.	Size	A	B	C	D	Torque
500-308	2"	5.43	4.25	7.81	1.97	480



**WARNING:** This product can expose you to chemicals including diisononyl phthalate (DINP), which is known to the State of California to cause cancer, and diisononyl phthalate (DINP), which is known to the State of California to cause birth defects or other reproductive harm. For more information go to [www.P65Warnings.ca.gov](http://www.P65Warnings.ca.gov).

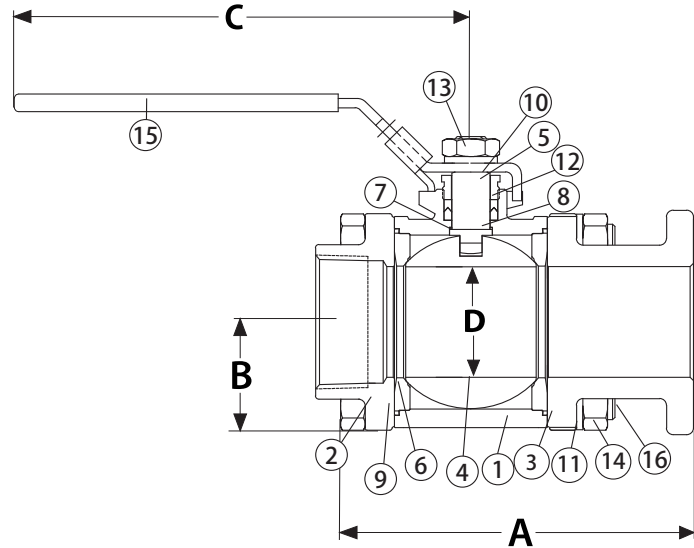
# Stainless Steel Ball Valve



**3 Piece 4 Bolt • Swing Out Body • Full Port •  
Flanged End Connection • 1000 WOG**



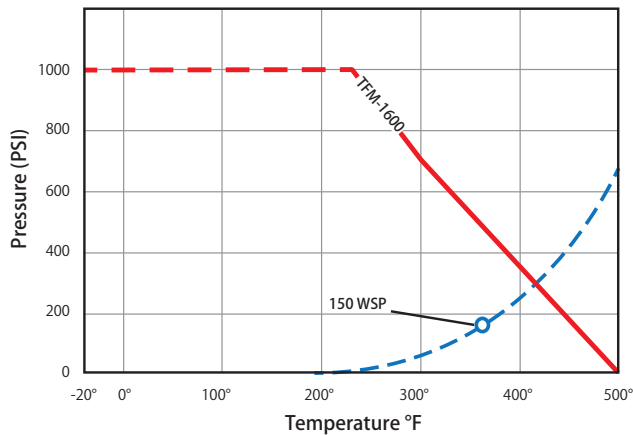
**T-SS-1000N-4B**



## Features

- Type B flange face
- Latch lock may be locked in open or closed positions
- 29 in-Hg vacuum rating
- 100% leak tested
- Wetted surfaces contain less than .25% lead content
- Repair kits available

## Valve Seat Rating 1000 WOG - 150 WSP



**WARNING:** This product can expose you to chemicals including diisononyl phthalate (DINP), which is known to the State of California to cause cancer, and diisononyl phthalate (DINP), which is known to the State of California to cause birth defects or other reproductive harm. For more information go to [www.P65Warnings.ca.gov](http://www.P65Warnings.ca.gov).

## Material Specifications

No.	Part	Materials
1	Body	A351-CF8M
2	Body Cap	A351-CF8M
3	Body Cap	A351-CF8M
4	Ball	A351-CF8M
5	Stem	SS 316
6	Seat	TFE/RTFE/TFM 1600
7	Stem Seal	TFE/RTFE/TFM 1600
8	Stem Packing	TFE/RTFE/Graphite
9	Union Seal	TFE/RTFE/TFM 1600
10	Spring Washer	SS 304
11	Washer	SS 304
12	Gland	SS 316
13	Handle Nut	SS 304
14	Cap Nut	SS 304
15	Handle	SS 304
16	Cap Bolt	SS 304

\*Included in repair kit

## Dimensions

Part No.	Size	A	B	C	D	Torque
500-358	2"	7.58	4.25	7.99	1.97	480

LT-JV-C 082018

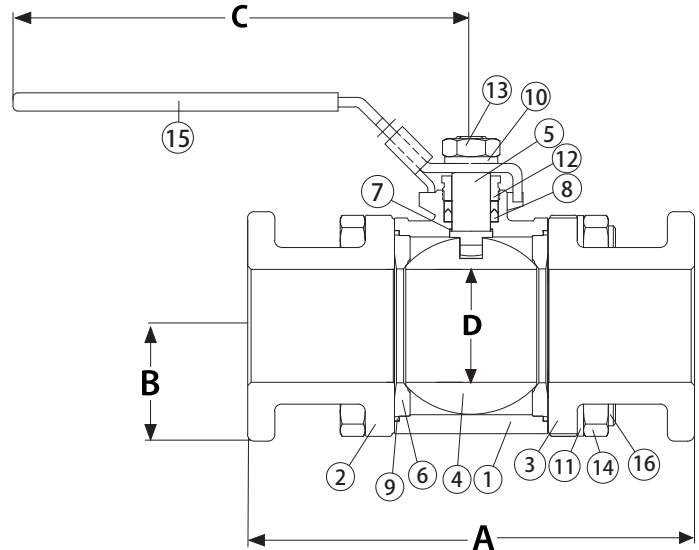
# Stainless Steel Ball Valve

3 Piece 4 Bolt • Swing Out Body • Full Port •

Threaded x Flanged End Connection • 1000 WOG



FL-SS-1000N-4B

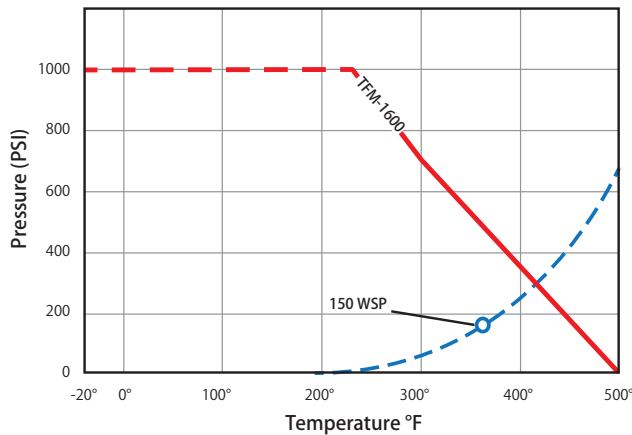


## Features

- Type B flange face
- Latch lock may be locked in open or closed positions
- 29 in-Hg vacuum rating
- 100% leak tested
- Wetted surfaces contain less than .25% lead content
- Repair kits available

## Valve Seat Rating

1000 WOG - 150 WSP



## Material Specifications

No.	Part	Materials
1	Body	A351-CF8M
2	Body Cap	A351-CF8M
3	Square Flange	A351-CF8M
4	Ball	A351-CF8M
5	Stem	SS 316
6	Seat	TFE/RTFE/TFM 1600
7	Stem Seal	TFE/RTFE/TFM 1600
8	Stem Packing	TFE/RTFE/Graphite
9	Union Seal	TFE/RTFE/TFM 1600
10	Spring Washer	SS 304
11	Washer	SS 304
12	Gland	SS 316
13	Handle Nut	SS 304
14	Cap Nut	SSS 304
15	Handle	SS 304
16	Cap Bolt	SS 304

\*Included in repair kit

## Dimensions

Part No.	Size	A	B	C	D	Torque
500-368	2"	7.84	4.25	7.99	1.97	480

**WARNING:** This product can expose you to chemicals including diisononyl phthalate (DINP), which is known to the State of California to cause cancer, and diisononyl phthalate (DINP), which is known to the State of California to cause birth defects or other reproductive harm. For more information go to [www.P65Warnings.ca.gov](http://www.P65Warnings.ca.gov).

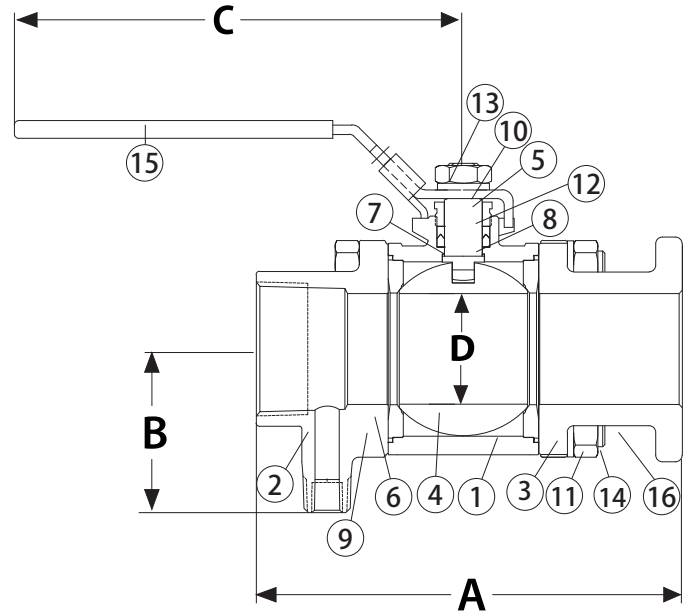
# Stainless Steel Ball Valve



**3 Piece 4 Bolt • Swing Out Body • Full Port • Threaded x Flanged Connection with Drain • Reversed Handle • 1000 WOG**



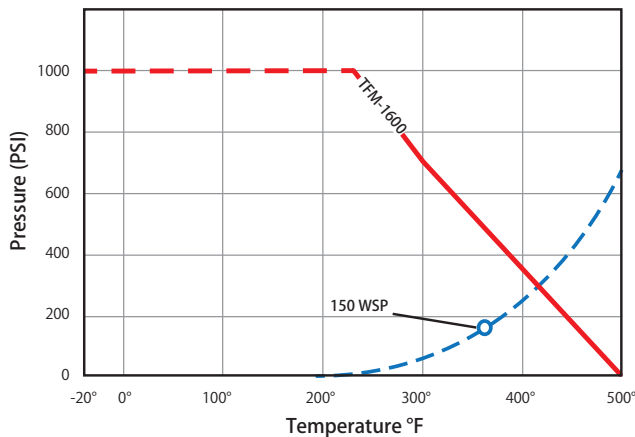
**T-SS-1000N-4B**



## Features

- Type B flange face
- Latch lock may be locked in open or closed positions
- 29 in-Hg vacuum rating
- 100% leak tested
- Wetted surfaces contain less than .25% lead content
- Repair kits available

## Valve Seat Rating 1000 WOG - 150 WSP



**WARNING:** This product can expose you to chemicals including diisononyl phthalate (DINP), which is known to the State of California to cause cancer, and diisononyl phthalate (DINP), which is known to the State of California to cause birth defects or other reproductive harm. For more information go to [www.P65Warnings.ca.gov](http://www.P65Warnings.ca.gov).

## Material Specifications

No.	Part	Materials
1	Body	A351-CF8M
2	Body Cap	A351-CF8M
3	Square Flange	A351-CF8M
4	Ball	A351-CF8M
5	Stem	SS 316
6	Seat	TFE/RTFE/TFM 1600
7	Stem Seal	TFE/RTFE/TFM 1600
8	Stem Packing	TFE/RTFE/Graphite
9	Union Seal	TFE/RTFE/TFM 1600
10	Spring Washer	SS 304
11	Washer	SS 304
12	Gland	SS 316
13	Handle Nut	SS 304
14	Cap Nut	SSS 304
15	Handle	SS 304
16	Cap Bolt	SS 304

\*Included in repair kit

## Dimensions

Part No.	Size	A	B	C	D	Torque
501-358	2"	5.43	4.25	7.81	1.97	480

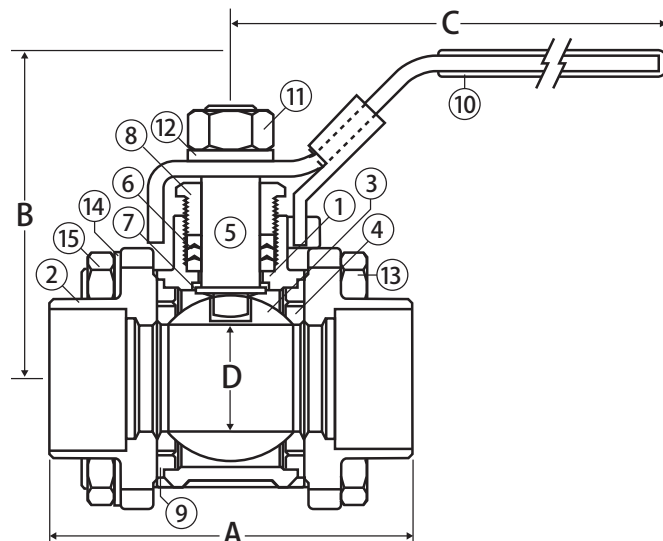
LT-JV-C 082018

# Stainless Steel Ball Valve

**3 Piece 4 Bolt • Swing Out Body • Full Port •  
Socket Weld • 1000 WOG**



**S-SS-1000N-4B**



## Features

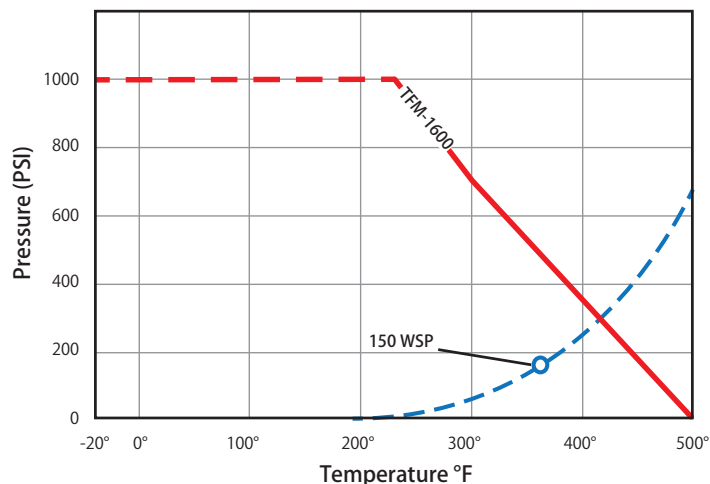
- Latch lock may be locked in open or closed positions
- 29 in-Hg vacuum rating
- 100% leak tested
- Wetted surfaces contain less than .25% lead content
- Repair kits available

## Approvals

- UL Listed (1/4" - 2")
  - YSDT - LP gas shut-off valves
  - YQAR - Anhydrous ammonia shut-off valves
- MSS SP-110
- NACE Certified
- ANSI B16.11
- Conforms to API 598

## Valve Seat Rating

1000 WOG - 150 WSP



## Material Specifications

No.	Part	Materials
1	Body	CF8M Stainless Steel
2	End Cap (2)	CF8M Stainless Steel
3	Ball	CF8M Stainless Steel
4	Seat (2)*	Hostaflo <sup>®</sup> TFM 1600
5	Stem	316 Stainless Steel
6	Packing (2)*	RPTFE
7	Stem Seal*	Hostaflo <sup>®</sup> TFM 1600
8	Packing Gland	316 Stainless Steel
9	Body Seal (2)*	Hostaflo <sup>®</sup> TFM 1600
10	Handle	304 Stainless Steel
11	Handle Nut	304 Stainless Steel
12	Lock Washer	304 Stainless Steel
13	Body Bolt (4)	304 Stainless Steel
14	Body Lock Washer (4)	304 Stainless Steel
15	Body Nut (4)	304 Stainless Steel

\*Included in repair kit

## Dimensions

Part No.	Size	A	B	C	D	Torque
500-341	1/4"	2.37	2.18	4.30	0.43	60
500-342	3/8"	2.37	2.18	4.30	0.43	60
500-343	1/2"	2.76	2.38	4.30	0.56	80
500-344	3/4"	3.03	2.87	5.81	0.81	150
500-345	1"	3.63	2.95	5.81	1.00	250
500-346	1-1/4"	4.14	3.66	7.44	1.25	320
500-347	1-1/2"	4.73	3.94	7.44	1.50	400
500-348	2"	5.43	4.25	7.81	1.97	480
500-350	3"	7.52	5.26	9.75	3.00	600
500-351	4"	8.54	6.57	11.88	3.93	850



**WARNING:** This product can expose you to chemicals including diisononyl phthalate (DINP), which is known to the State of California to cause cancer, and diisononyl phthalate (DINP), which is known to the State of California to cause birth defects or

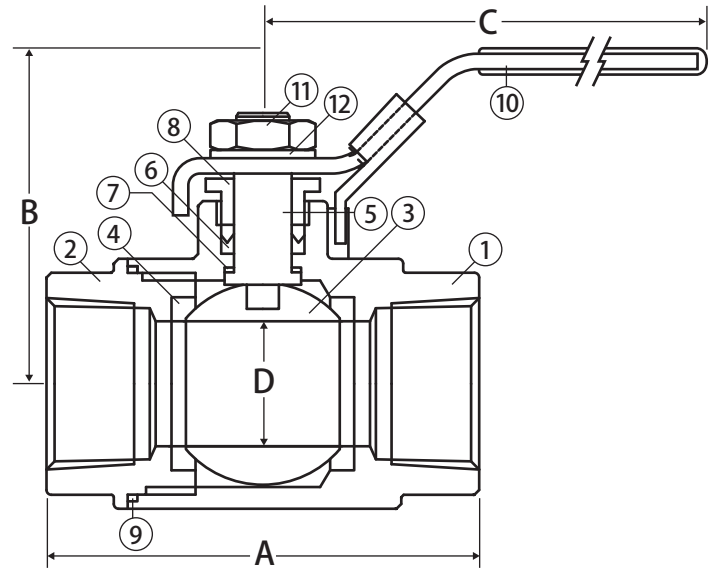
# Stainless Steel Ball Valve



2 Piece • Full Port • Threaded Connection • 1000 WOG



T-SS-1001N



## Features

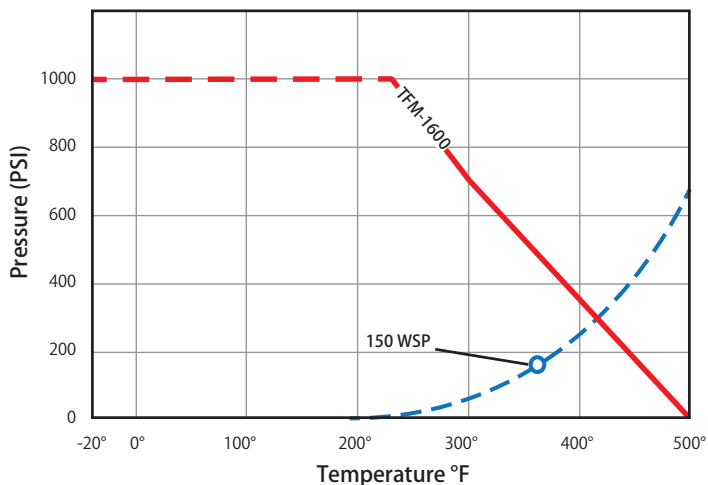
- Solid ball construction
- Latch lock handle may be locked in open or closed position
- 29 in.-Hg vacuum rating
- 100% leak tested
- Wetted surfaces contain less than .25% lead content

## Approvals

- UL Listed
  - MHKZ - Manual valves
  - YQNZ - Compressed gas shut-off valves
  - YRBX - Flammable liquid shut-off valves
  - YRPV - Gas shut-off valves
  - YSDT - LP gas shut-off valves
- Conforms to API 598
- MSS SP-110, SP-61, SP-82
- NACE Certified
- ANSI B1.20.1

## Valve Seat Rating

1000 WOG - 150 WSP



## Material Specifications

No.	Part	Materials
1	Body	CF8M Stainless Steel
2	End Connection	CF8M Stainless Steel
3	Ball	CF8M Stainless Steel
4	Seat (2)	Hostaflon® TFM 1600
5	Stem	316 Stainless Steel
6	Packing (2)	RPTFE
7	Stem Seal	Hostaflon® TFM 1600
8	Packing Gland	316 Stainless Steel
9	Body Seal	Hostaflon® TFM 1600
10	Handle	304 Stainless Steel
11	Handle Nut	304 Stainless Steel
12	Lock Washer	304 Stainless Steel

## Dimensions

Part No.	Size	A	B	C	D	Torque
100-961	1/4"	2.20	2.20	4.21	0.43	40
100-962	3/8"	2.20	2.20	4.21	0.43	40
100-963	1/2"	2.60	2.30	4.21	0.56	40
100-964	3/4"	2.99	2.79	5.73	0.81	60
100-965	1"	3.54	2.96	5.73	1.00	70
100-966	1-1/4"	3.94	3.56	7.45	1.25	110
100-967	1-1/2"	4.41	3.84	7.45	1.50	170
100-968	2"	5.00	4.24	8.08	1.97	250

**WARNING:** This product can expose you to chemicals including diisononyl phthalate (DINP), which is known to the State of California to cause cancer, and diisononyl phthalate (DINP), which is known to the State of California to cause birth defects or other reproductive harm. For more information go to [www.P65Warnings.ca.gov](http://www.P65Warnings.ca.gov).

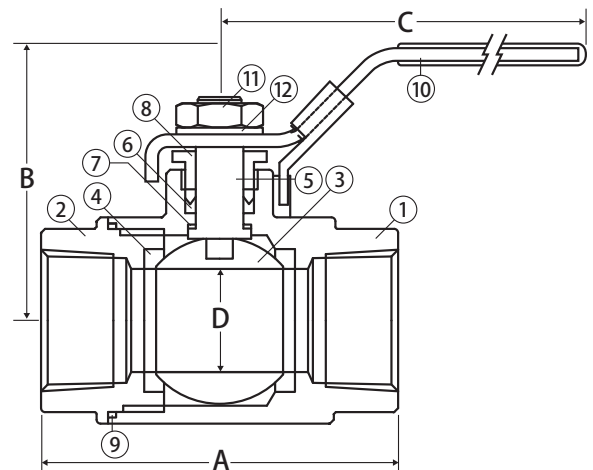
LIT-JV-C 082018

# Stainless Steel Ball Valve

2 Piece • Full Port • Threaded Connection • 1000 WOG



T-SS-900N



### Features

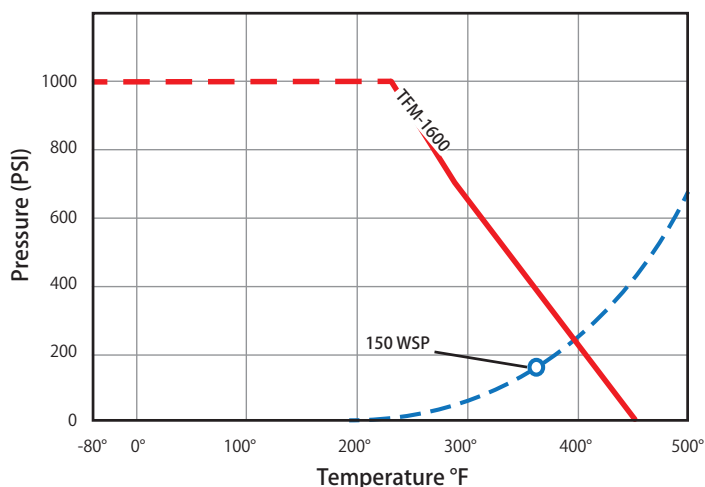
- Blow-out proof stem
- Cast stainless steel body
- Locking device standard
- 100% leak tested
- Wetted surfaces contain less than .25% lead content

### Approvals

- ANSI B1.20.1
- MSS SP-110

### Valve Seat Rating

1000 WOG - 150 WSP



### Material Specifications

No.	Part	Materials
1	Body	CF8M Stainless Steel
2	End Connection	CF8M Stainless Steel
3	Ball	CF8M Stainless Steel
4	Seat (2)	PTFE
5	Stem	316 Stainless Steel
6	Packing (2)	RPTFE
7	Stem Seal	PTFE
8	Packing Gland	316 Stainless Steel
9	Body Seal	PTFE
10	Handle	304 Stainless Steel
11	Handle Nut	304 Stainless Steel
12	Lock Washer	304 Stainless Steel

### Dimensions

Part No.	Size	A	B	C	D
100-903	1/2"	2.24	2.29	4.53	0.59
100-904	3/4"	2.68	2.40	4.53	0.79
100-905	1"	3.15	3.03	5.04	0.98
100-906	1-1/4"	3.59	3.19	5.04	1.26
100-907	1-1/2"	4.05	3.54	6.10	1.50
100-908	2"	4.88	4.25	6.10	1.97

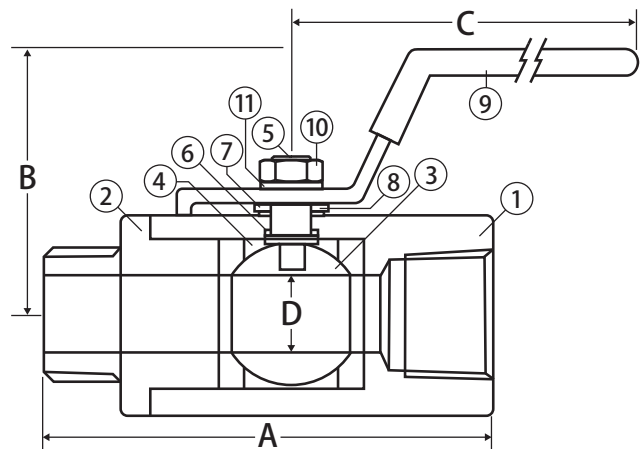
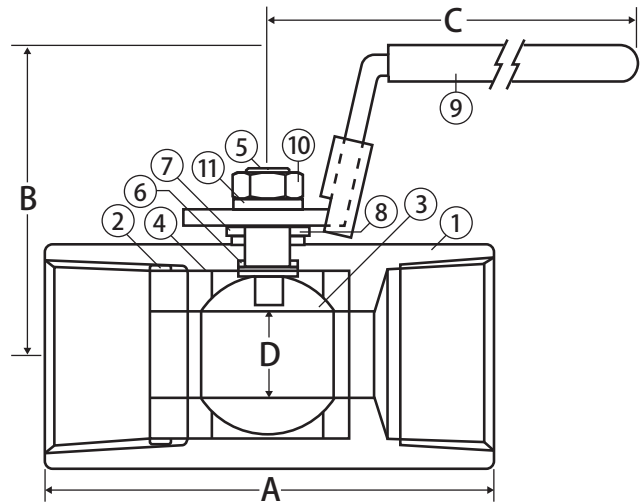


**WARNING:** This product can expose you to chemicals including diisononyl phthalate (DINP), which is known to the State of California to cause cancer, and diisononyl phthalate (DINP), which is known to the State of California to cause birth defects or other reproductive harm. For more information go to [www.P65Warnings.ca.gov](http://www.P65Warnings.ca.gov).

# Stainless Steel Mini Ball Valve



**1 Piece / 2 Piece • Full Port • Threaded Connection • Mini Valves • 1000 WOG**



## Features

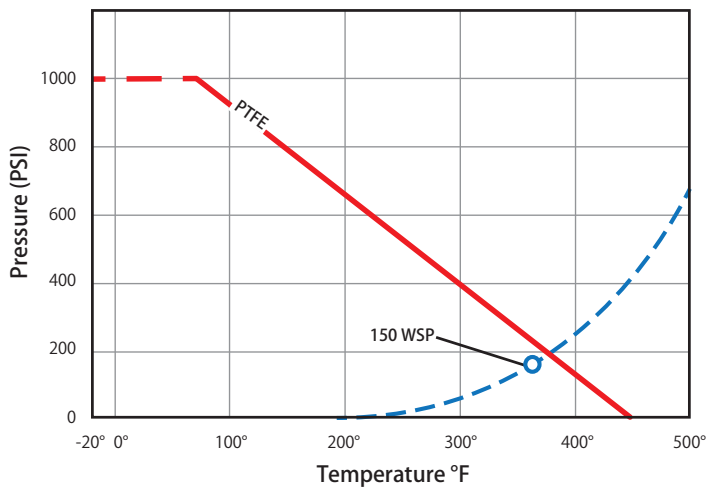
- Solid ball construction
- Corrosion resistant
- 29 in-Hg vacuum rating
- 100% leak tested
- Wetted surfaces contain less than .25% lead content

## Approvals

- MSS SP-110
- ANSI B1.20.1

## Valve Seat Rating

1000 WOG - 150 WSP



## Material Specifications

No.	Part	Materials
1	Body	CF8M Stainless Steel / 316 Stainless Steel
2	Body Insert / End Connection	316 Stainless Steel
3	Ball	316 Stainless Steel
4	Seat (2)	PTFE
5	Stem	316 Stainless Steel
6	Stem Seal	PTFE
7	Packing	PTFE
8	Packing Washer	304 Stainless Steel
9	Handle	304 Stainless Steel
10	Handle Nut	304 Stainless Steel
11	Lock Washer	304 Stainless Steel

## Dimensions

Part No.	Size	A	B	C	D
500-098	1/8" FIP x 1/8" MIP	2.00	1.22	2.44	0.20
500-099	1/4" FIP x 1/4" MIP	2.32	1.50	3.45	0.30
500-101	1/4" FIP x 1/4" FIP	1.57	1.42	3.45	0.20

**WARNING:** This product can expose you to chemicals including diisononyl phthalate (DINP), which is known to the State of California to cause cancer, and diisononyl phthalate (DINP), which is known to the State of California to cause birth defects or other reproductive harm. For more information go to [www.P65Warnings.ca.gov](http://www.P65Warnings.ca.gov).

LT-FV-C 082018



# Electric Actuator • AE-180

## Double Acting • Nema 4x • Manual Override



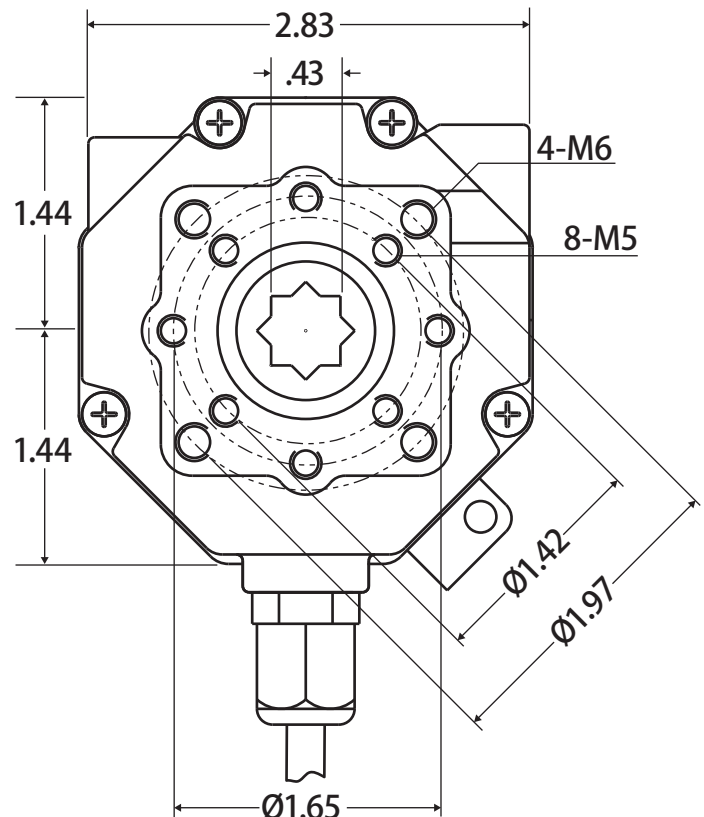
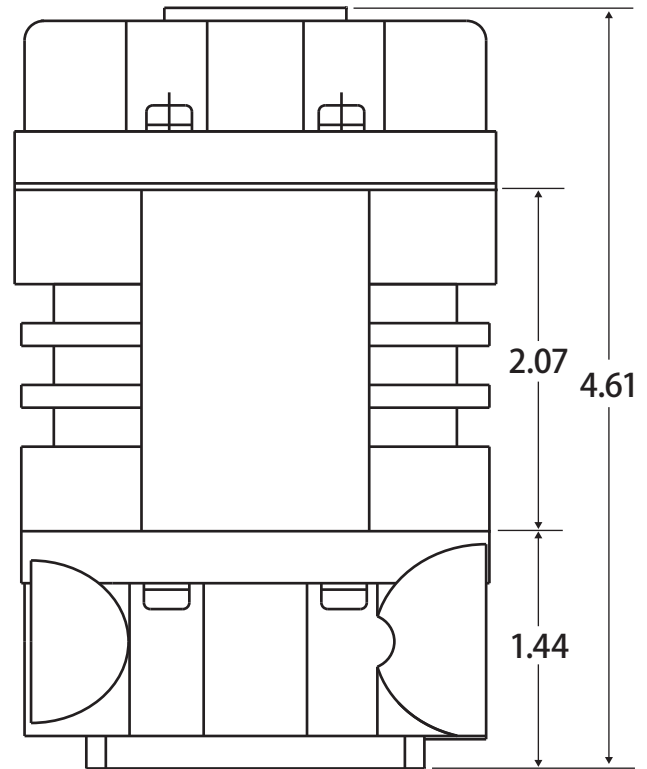
**AE-180**

### Features

- Hard anodized aluminum housing with external powder coating for severe duty applications
- Enclosure: IP67
- ISO 5211 mounting
- 90° operation
- Position indicator
- Manual override standard
- 120V / 1Ph / 60Hz
- Thermally protected induction motor

### Actuator Specs

Torque (in-lbs)	180
Output Square	0.43
ISO 5211 Mounting	F03 / F04 / F05
Duty Cycle	50%
Operating Time, 90° @ 120V (secs)	15
Rated current @ 120V (Amp.)	0.3A
Motor Insulation Class	E
Weight (lbs)	2.64
Limit Switches	2 - 1 ea for Open & Close (5A, 250VAC)
Cable Entry	Pigtail
Internal Htr.	No
Temperature Range	-22° F to 140° F

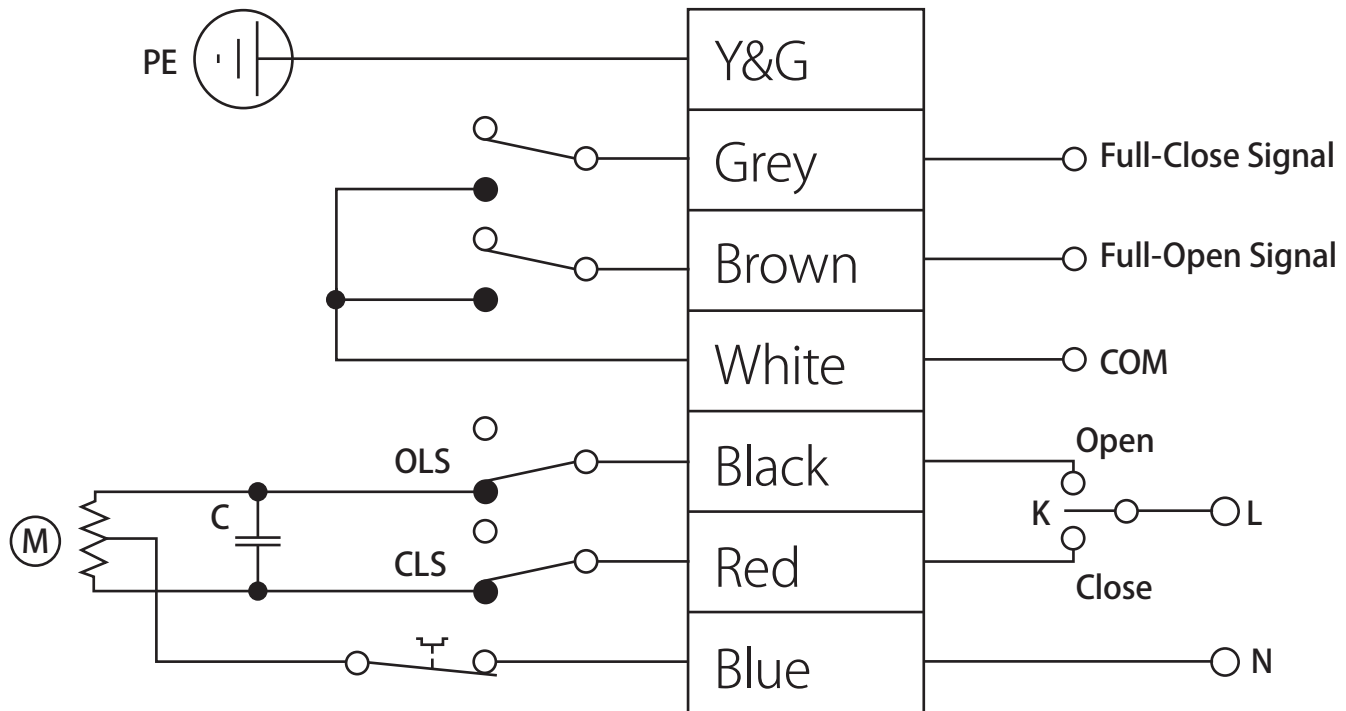


Each actuator **must** be powered through its own individual limit switch or relay contacts to prevent cross feed between two or more actuators. Not doing so will cause damage to the actuators and impact your process control as well as void warranty.

# Electric Actuator • AE-180



## Wiring Diagram



LT-JV-C 082018

# Electric Actuator • AE-350

## Double Acting • Nema 4x • Manual Override



**AE-350**

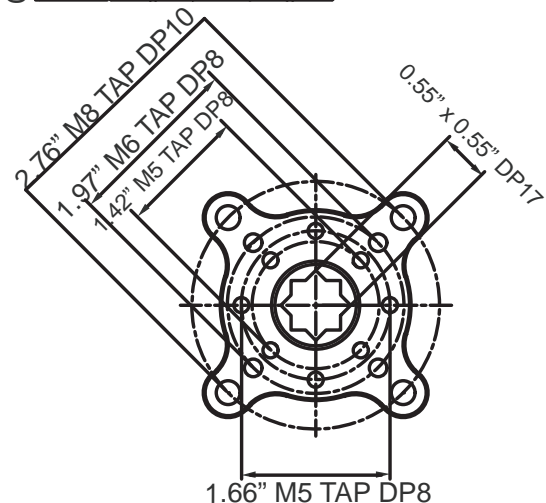
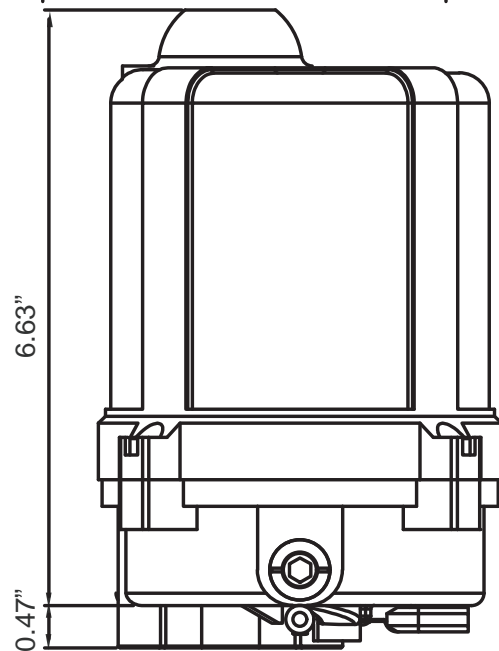
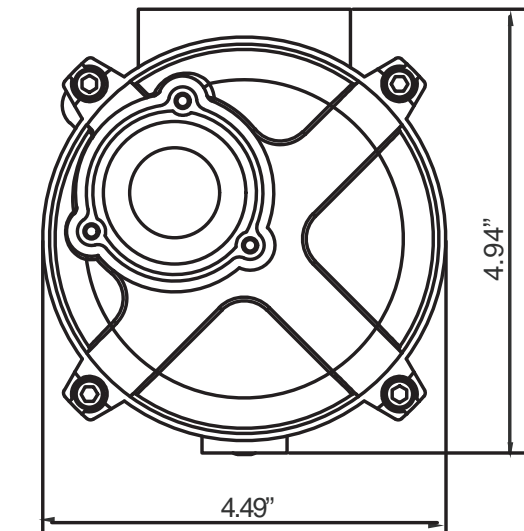
### Features

- Hard anodized aluminum housing with external powder coating for severe duty applications
- Enclosure: IP67, O-ring sealed
- ISO 5211 mounting
- 90° operation
- Position indicator
- Manual override standard
- 120V / 1Ph / 60Hz
- Thermally protected induction motor
- Spring loaded terminal block for ease in wiring

### Actuator Specs

Torque (in-lbs)	350
Output Square	0.55
ISO 5211 Mounting	F03 / F05 / F07
IEC Duty Cycle (S2)	Max 30 min
Operating Time, 90° @ 120V (secs)	13
Rated current @ 120V (Amp.)	0.42A
Motor Insulation Class	B
Weight (lbs)	6.6
Limit Switches	2 - 1 ea for Open & Close (3A, 250VAC)
Auxiliary Limit Switches	2 - 1 ea for Open & Close (3A, 250VAC)
Cable Entry	2 - M20 x 1.5
Internal Htr.	Yes - 2W
Temperature Range	-4° F to 158° F

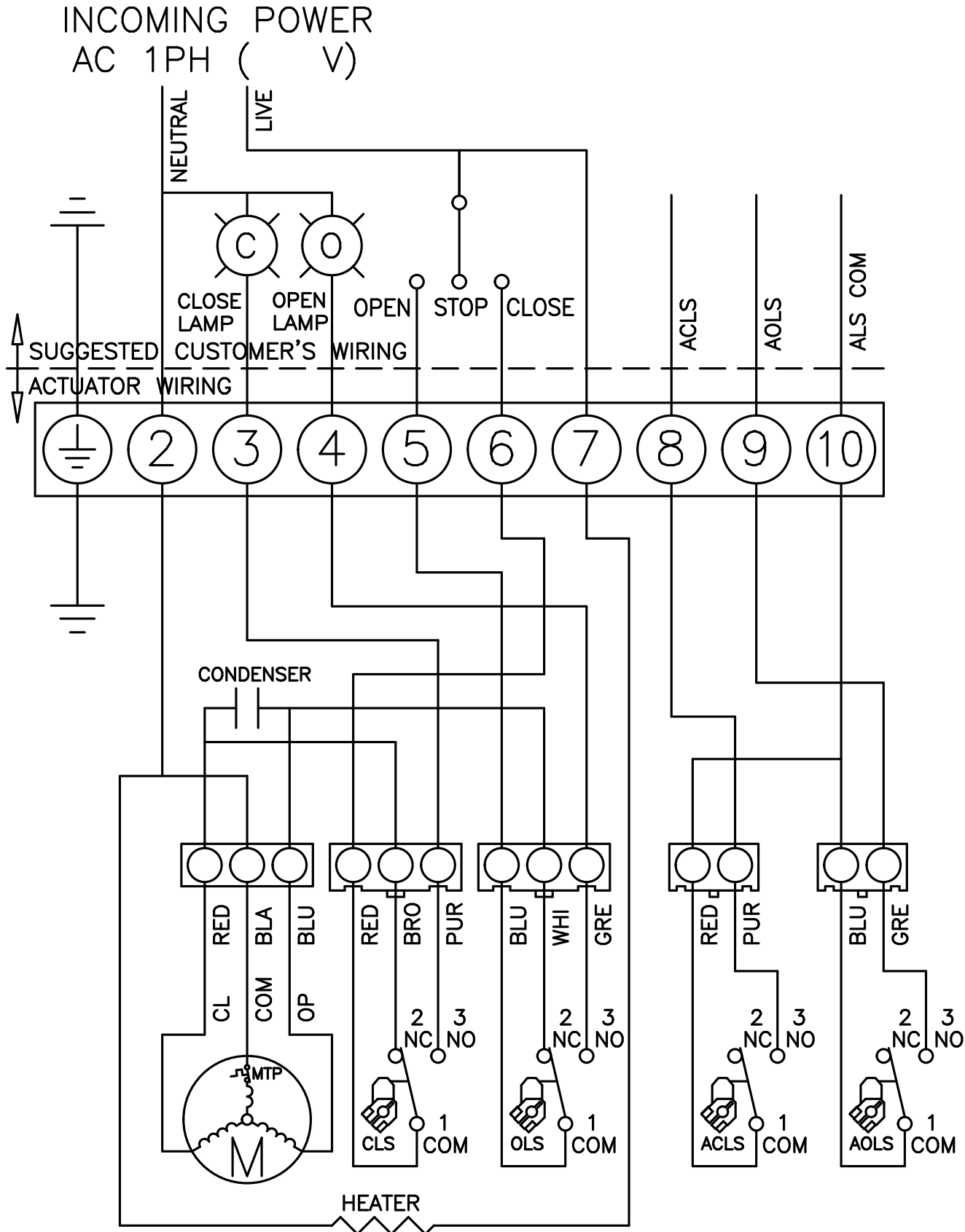
Each actuator **must** be powered through its own individual limit switch or relay contacts to prevent cross feed between two or more actuators. Not doing so will cause damage to the actuators and impact your process control as well as void warranty.



# Electric Actuator • AE-350



## Wiring Diagram



LT-JV-C 082018

# Electric Actuator • AE-700

## Double Acting • Nema 4x • Manual Override



AE-700

### Features

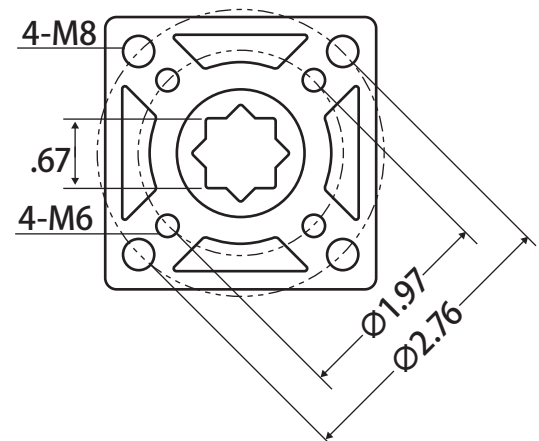
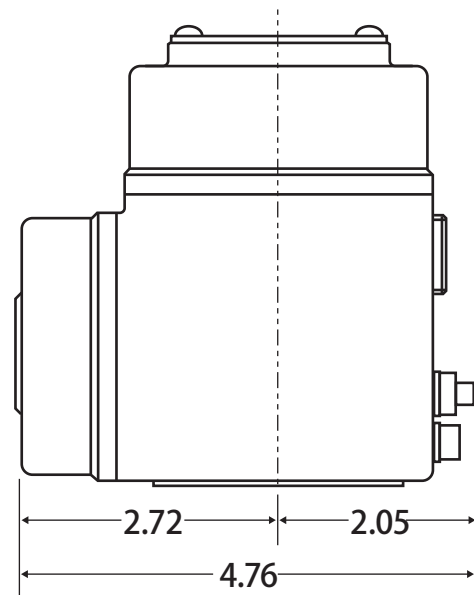
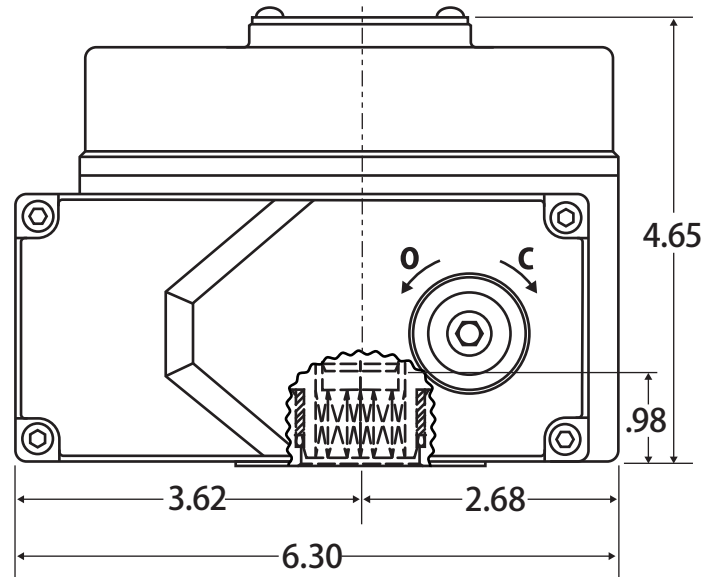
- Hard anodized aluminum housing with external powder coating for severe duty applications
- Enclosure: IP67, O-ring sealed
- ISO 5211 mounting
- 90° operation
- Adjustable mechanical stops to prevent over travel
- Position indicator
- Manual override standard
- 120V / 1Ph / 60Hz
- Thermally protected induction motor
- Worm gearing, no break required
- Spring loaded terminal block for ease in wiring

### Actuator Specs

Torque (in-lbs)	700
Output Square	0.67
ISO 5211 Mounting	F05 / F07
IEC Duty Cycle (S2)	Max 30 min
IEC Duty Cycle (S4)	50%, 1,200 start/hr
Operating Time, 90° @ 120V (secs)	14
Rated current @ 120V (Amp.)	0.97A
Motor Insulation Class	E
Weight (lbs)	7.7
Limit Switches	2 - 1 ea for Open & Close (3A, 250VAC)
Auxiliary Limit Switches	2 - 1 ea for Open & Close (3A, 250VAC)
Cable Entry	2 - 3/4" NPT
Internal Htr.	Yes - 3W
Temperature Range	-4° F to 158° F

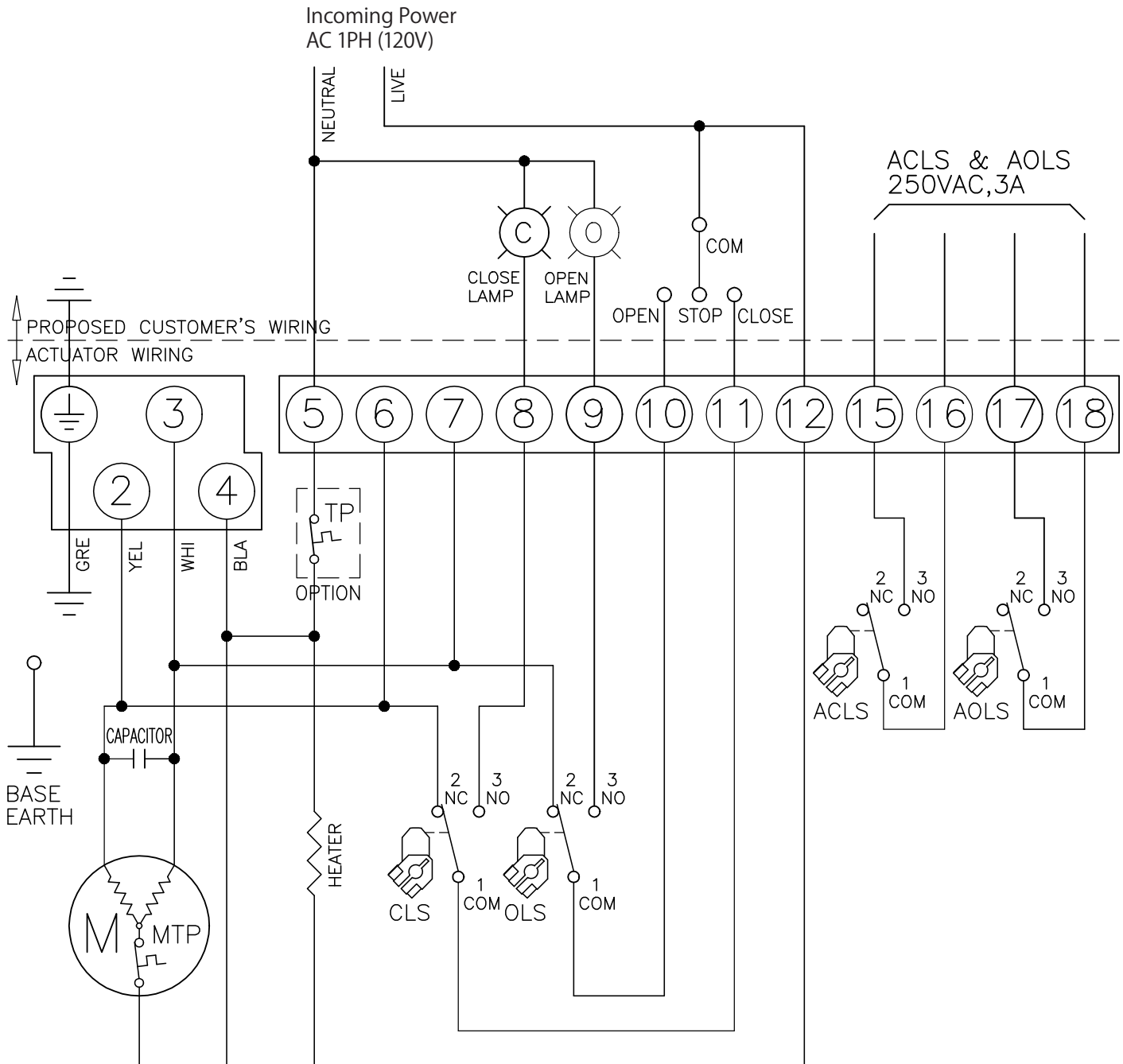
Each actuator **must** be powered through its own individual limit switch or relay contacts to prevent cross feed between two or more actuators. Not doing so will cause damage to the actuators and impact your process control as well as void warranty.

Note: 1.5" of clearance needed to remove cover



# Electric Actuator • AE-700

## Wiring Diagram



LT-JV-C 082018

# Electric Actuator • AE-700M

## Double Acting • Nema 4x • Modulating • Manual Override



**AE-700M**

### Features

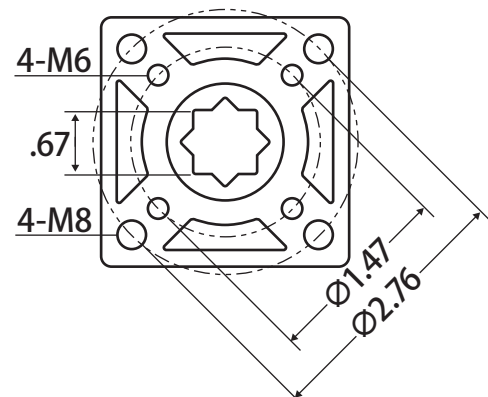
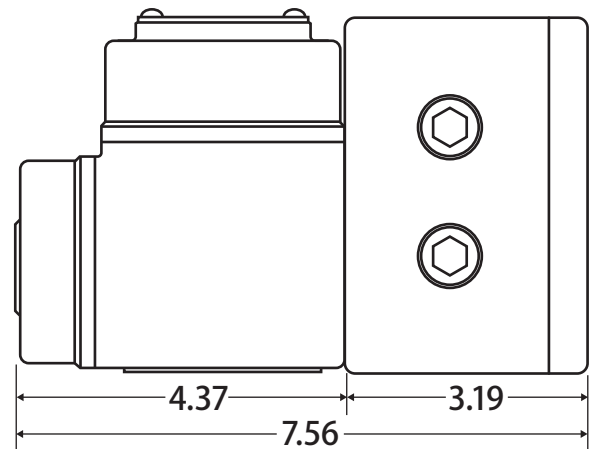
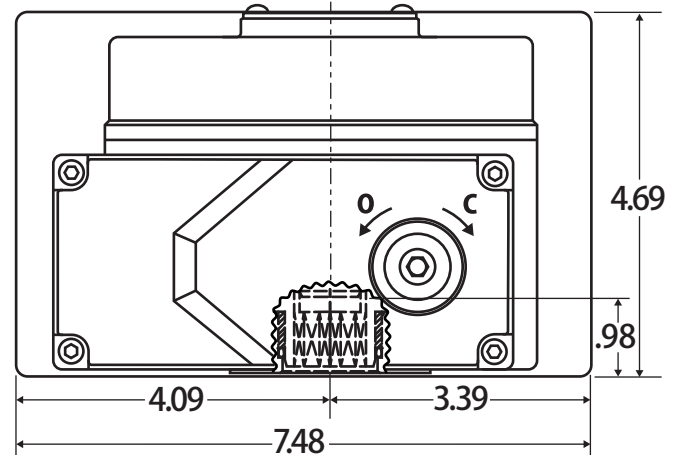
- Hard anodized aluminum housing with external powder coating for severe duty applications
- Enclosure: IP67, O-ring sealed
- ISO 5211 mounting
- Remote Position Controller (RPC) modulation
- 90° operation
- Adjustable mechanical stops to prevent over travel
- Auto Calibration
- Position indicator
- Manual override standard
- 120V / 1Ph / 60Hz
- Thermally protected induction motor
- Worm gearing, no break required
- Spring loaded terminal block for ease in wiring

### Actuator Specs

Torque (in-lbs)	700
Output Square	0.67
ISO 5211 Mounting	F05 / F07
IEC Duty Cycle (S2)	Max 30 min
IEC Duty Cycle (S4)	50%, 1,200 start/hr
Operating Time, 90° @ 120V (secs)	14
Rated current @ 120V (Amp.)	0.97A
Motor Insulation Class	E
Weight (lbs)	7.7
Limit Switches	2 - 1 ea for Open & Close (3A, 250VAC)
Auxiliary Limit Switches	2 - 1 ea for Open & Close (3A, 250VAC)
Cable Entry	3/4" NPT
Internal Htr.	Yes - 3W
Temperature Range	10° F to 150° F

Each actuator **must** be powered through its own individual limit switch or relay contacts to prevent cross feed between two or more actuators. Not doing so will cause damage to the actuators and impact your process control as well as void warranty.

Note: 1.5" of clearance needed to remove cover

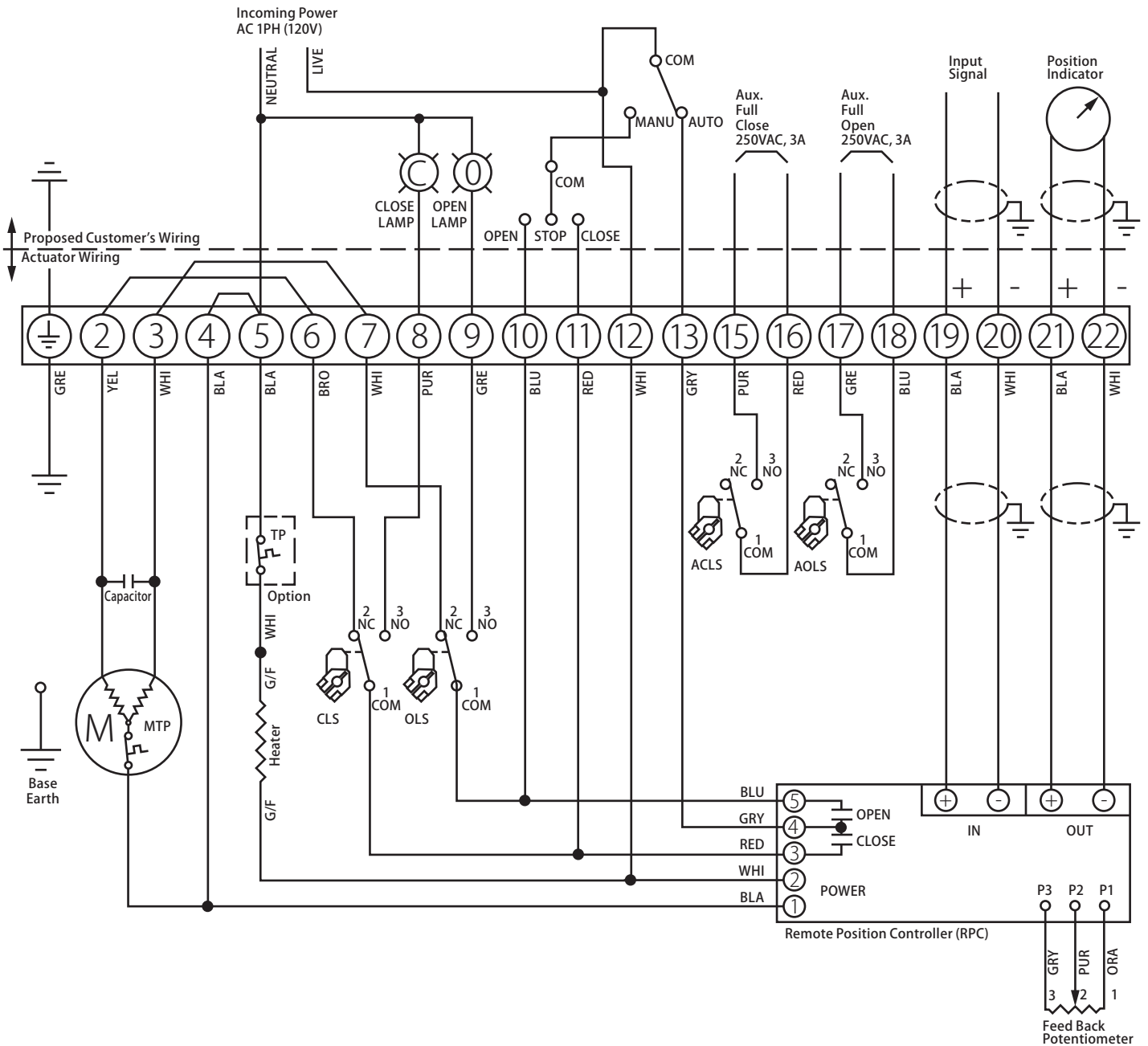


### RPC Specifications

Input Signal	4-20mA, 0-210VDC, 2-10VDC, 1-5VDC, 0-5VDC
Output Signal	4-20mA
Potentiometer (Feedback)	1 Kohm
Load Resistance	100 Ohm - 750 Ohm
Input Resistance	250 Ohms
Delay Time Adjustment	1.0 - 8.5 sec
Dead Band Adjustment	0.1 - 4.5%
Resolution	Min 1/1,000

# Electric Actuator • AE-700M

## Wiring Diagram



LIT-JV-C 082018



# Electric Actuator • AE-880

## Double Acting • Nema 4x • Manual Override

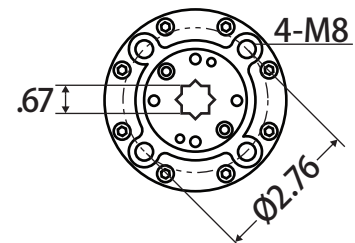
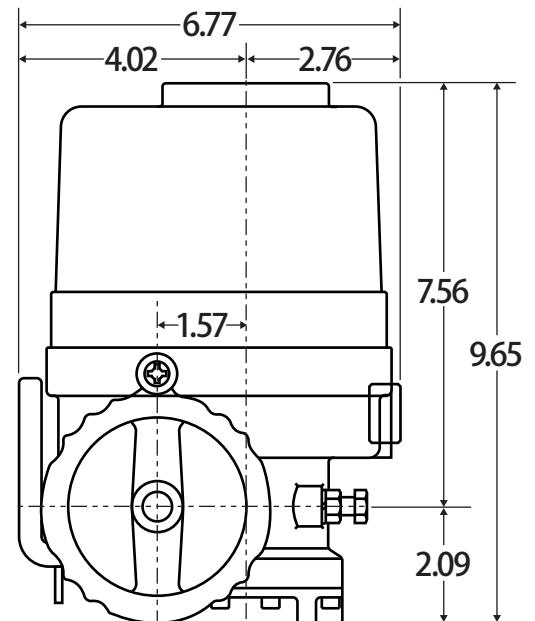
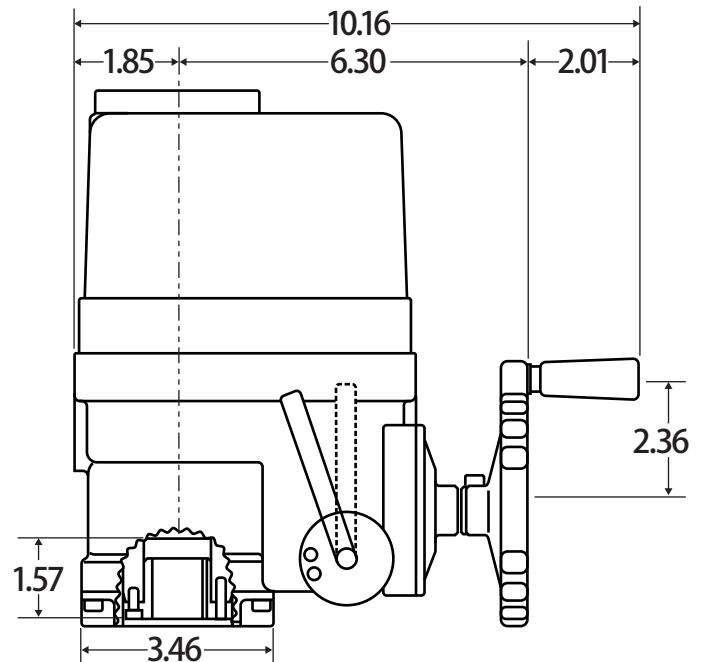


**AE-880**

### Features

- Hard anodized aluminum housing with external powder coating for severe duty applications
- Enclosure: IP67, NEMA4 and 4X, O-ring sealed
- ISO 5211 mounting
- 90° operation
- Adjustable mechanical stops to prevent over travel
- Position indicator
- De-clutchable manual override standard
- 120V / 1Ph / 60Hz
- Thermally protected induction motor
- Double worm gearing, no break required
- Spring loaded terminal block for ease in wiring

Note: 5" of clearance needed to remove cover



### Actuator Specs

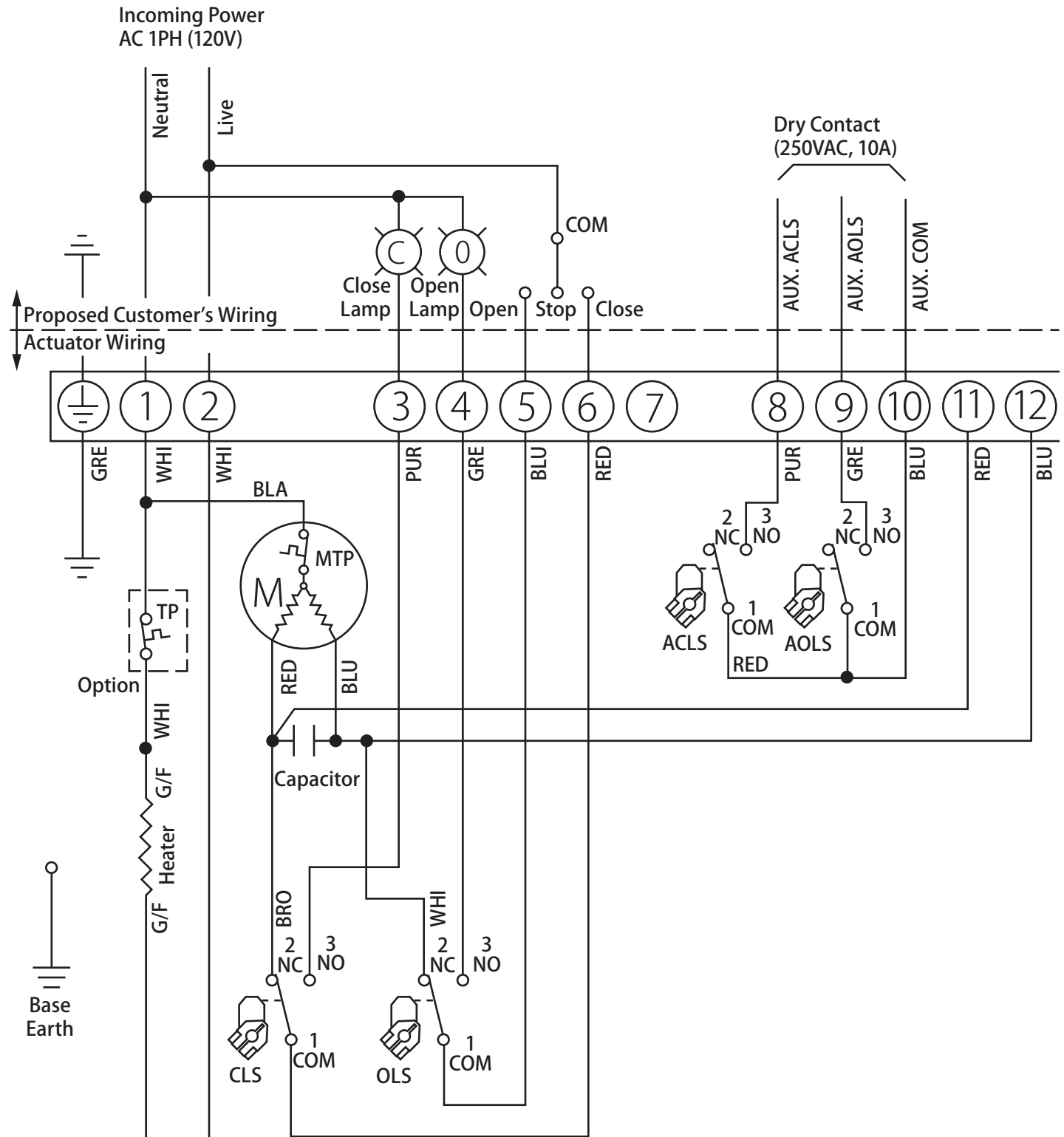
Torque (in-lbs)	880
Output Square	0.67
ISO 5211 Mounting	F07
IEC Duty Cycle (S2)	Max 20 min
IEC Duty Cycle (S4)	30%, 800 start/hr
Operating Time, 90° @ 120V (secs)	18
Rated current @ 120V (Amp.) (Running/Max)	1.10/1.49
Motor Insulation Class	F
Weight (lbs)	15.4
Limit Switches	2 - 1 ea for Open & Close (10A, 250VAC)
Auxiliary Limit Switches	2 - 1 ea for Open & Close (10A, 250VAC)
Cable Entry	2 - 3/4" NPT
Internal Htr.	Yes - 5W
Temperature Range	-4° F to 158° F
Torque OL Protection	No

Each actuator **must** be powered through its own individual limit switch or relay contacts to prevent cross feed between two or more actuators. Not doing so will cause damage to the actuators and impact your process control as well as void warranty.

# Electric Actuator • AE-880



## Wiring Diagram



LT-JV-C 082018

# Electric Actuator • AE-880M

## Double Acting • Nema 4x • Modulating • Manual Override



**AE-880M**

### Features

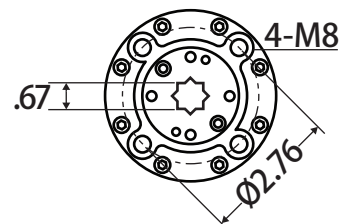
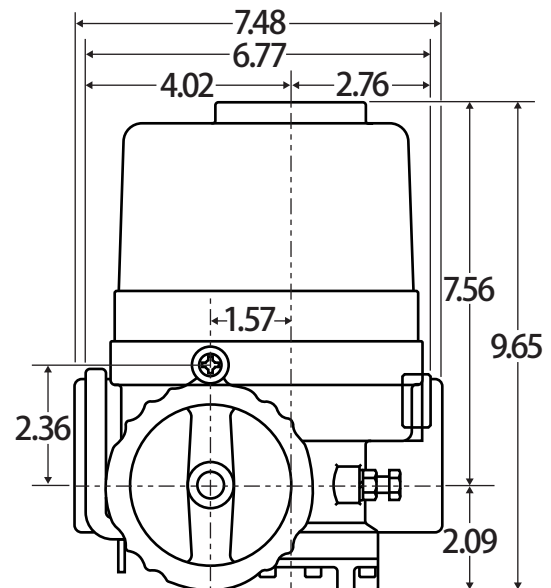
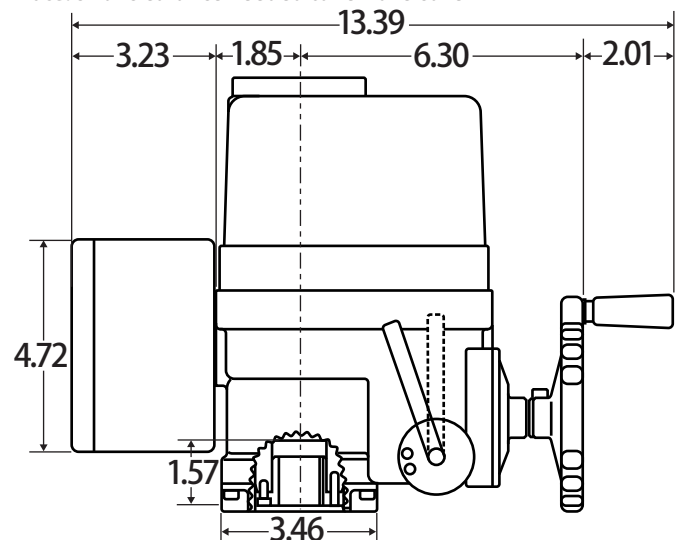
- Hard anodized aluminum housing with external powder coating for severe duty applications
- Enclosure: IP67, NEMA4 and 4X, O-ring sealed
- ISO 5211 mounting
- 90° operation
- Adjustable mechanical stops to prevent over travel
- Position indicator
- De-clutchable manual override standard
- 120V / 1Ph / 60Hz
- Thermally protected induction motor
- Double worm gearing, no break required
- Spring loaded terminal block for ease in wiring

### Actuator Specs

Torque (in-lbs)	880
Output Square	0.67
ISO 5211 Mounting	F07
IEC Duty Cycle (S2)	Max 20 min
IEC Duty Cycle (S4)	30%, 800 start/hr
Operating Time, 90° @ 120V (secs)	18
Rated current @ 120V (Amp.) (Running/Max)	1.10/1.49
Motor Insulation Class	F
Weight (lbs)	15.4
Limit Switches	2 - 1 ea for Open & Close (10A, 250VAC)
Auxiliary Limit Switches	2 - 1 ea for Open & Close (10A, 250VAC)
Cable Entry	2 - 3/4" NPT
Internal Htr.	Yes - 5W
Temperature Range	10° F to 150° F
Torque OL Protection	NO

Each actuator **must** be powered through its own individual limit switch or relay contacts to prevent cross feed between two or more actuators. Not doing so will cause damage to the actuators and impact your process control as well as void warranty.

Note: 5" of clearance needed to remove cover



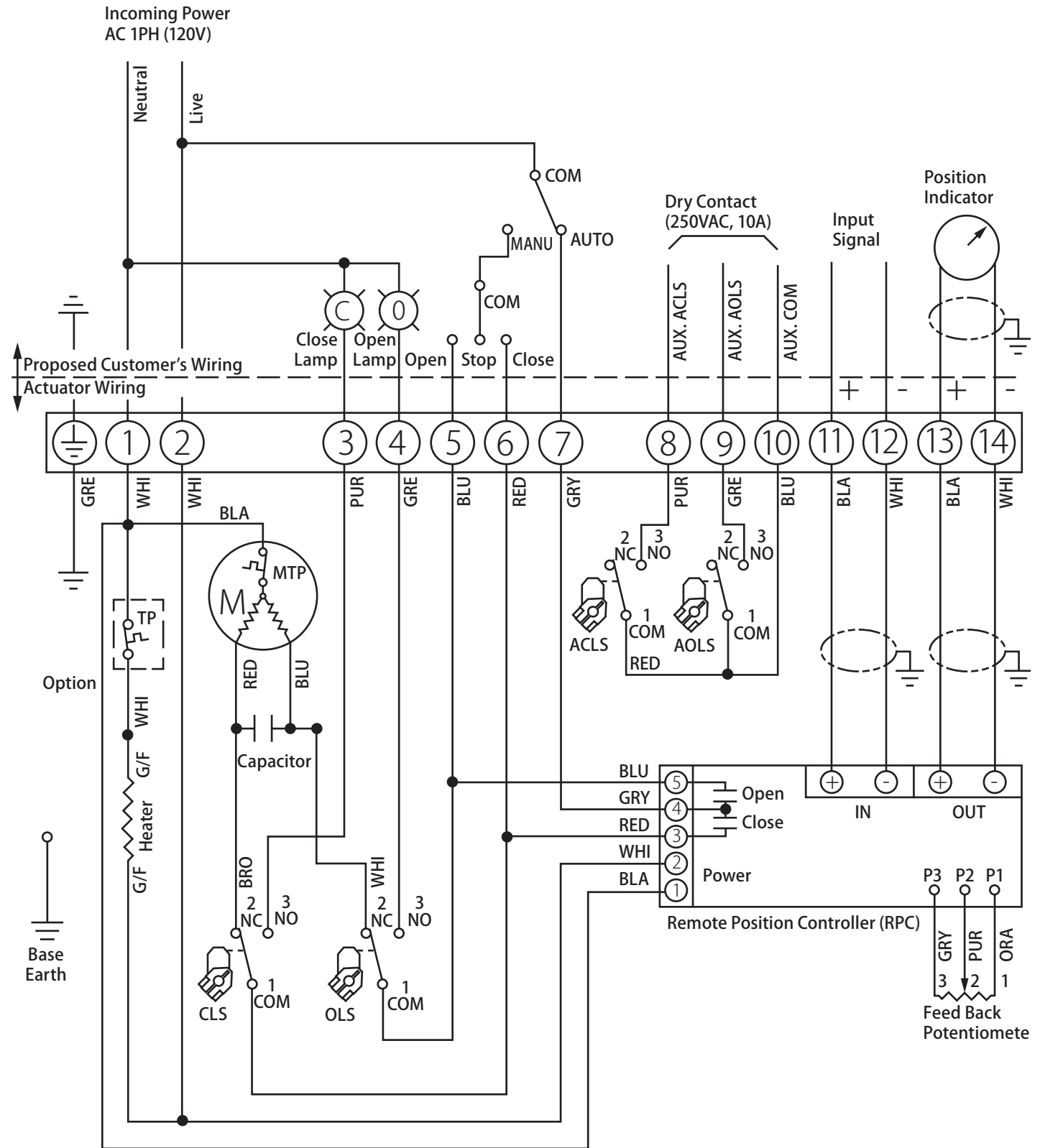
### RPC Specifications

Input Signal	4-20mA, 0-210VDC, 2-10VDC, 1-5VDC, 0-5VDC
Output Signal	4-20mA
Potentiometer (Feedback)	1 Kohm
Load Resistance	100 Ohm - 750 Ohm
Input Resistance	250 Ohms
Delay Time Adjustment	1.0 - 8.5 sec
Dead Band Adjustment	0.1 - 4.5%
Resolution	Min 1/1,000

# Electric Actuator • AE-880M



## Wiring Diagram



LT-JV-C 082018

# Electric Actuator • AE-1400 - 9700



## Double Acting • Nema 4x • Manual Override

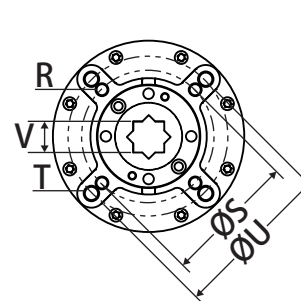
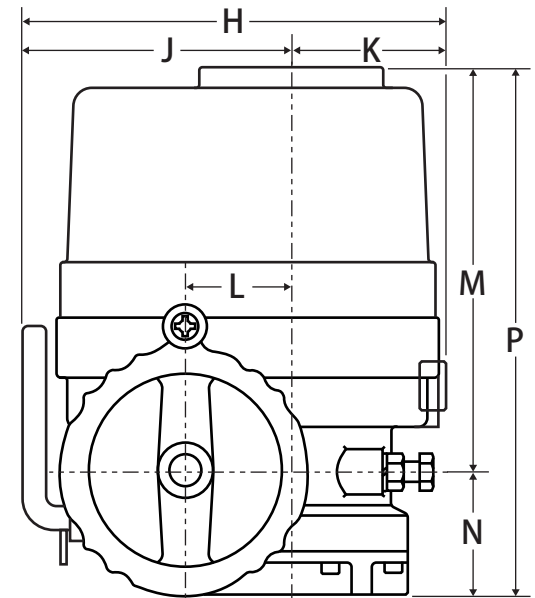
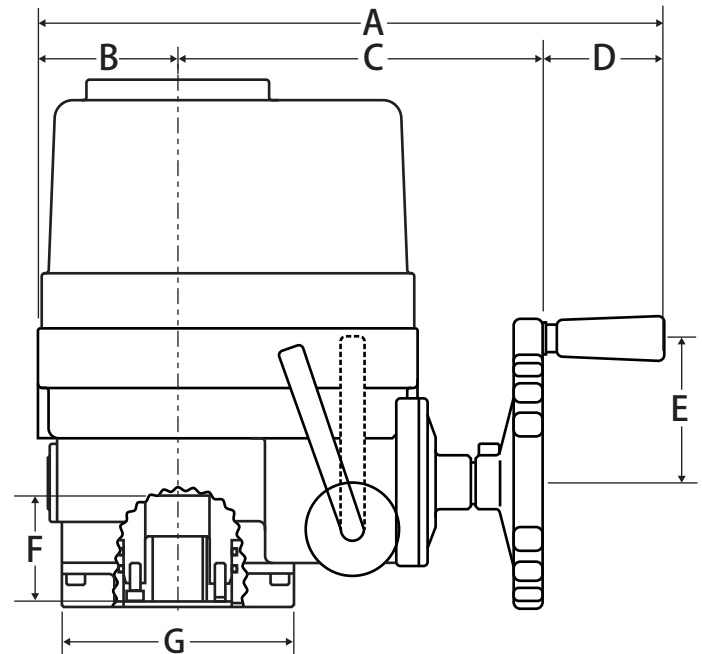


AE-1400 - 9700

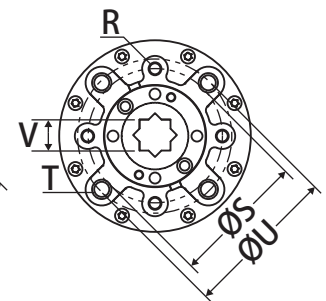
### Features

- Hard anodized aluminum housing with external powder coating for severe duty applications
- Enclosure: IP67, NEMA4 and 4X, O-ring sealed
- ISO 5211 mounting
- 90° operation
- Adjustable mechanical stops to prevent over travel
- Position indicator
- De-clutchable manual override standard
- 120V / 1Ph / 60Hz
- Thermally protected induction motor
- Double worm gearing, no break required
- Spring loaded terminal block for ease in wiring

Note: 7.68" of clearance needed to remove cover



AE-1400 - AE-4400



AE-7000 - AE9700

### Actuator Specs

	AE-1400	AE-2100	AE-3100	AE-4400	AE-7000	AE-9700
Torque (in-lbs)	1400	2100	3100	4400	7000	9700
Output Square	0.87		1.06		1.42	1.54
ISO 5211 Mounting	F07 / F10		F10 / F12		F12 / F14	
IEC Duty Cycle (S2)	Max 30 min			Max 20 min		
IEC Duty Cycle (S4)	50%, 1200 start/hr			30%, 800 start/hr		
Operating Time, 90° @ 120V (secs)	22		26		32	
Rated current @ 120V (Amp.) (Running/Max)	1.70/2.62	1.72/3.16	1.80/3.16	3.9/5.44	4.2/7.92	4.3/7.92
Motor Insulation Class	F					
Weight (lbs)	33		44		55	
Limit Switches	2 x SPDT - 1 ea for Open & Close (10A, 250VAC)					
Auxiliary Limit Switches	2 x SPDT - 1 ea for Open & Close (10A, 250VAC)					
Cable Entry	2 - 3/4" NPT					
Internal Htr.	Yes - 5W					
Temperature Range	-4° F to 158° F					
Torque OL Protection	2 x SPDT - 1 ea for Open & Close (10A, 250VAC)					

Each actuator **must** be powered through its own individual limit switch or relay contacts to prevent cross feed between two or more actuators. Not doing so will cause damage to the actuators and impact your process control as well as void warranty.

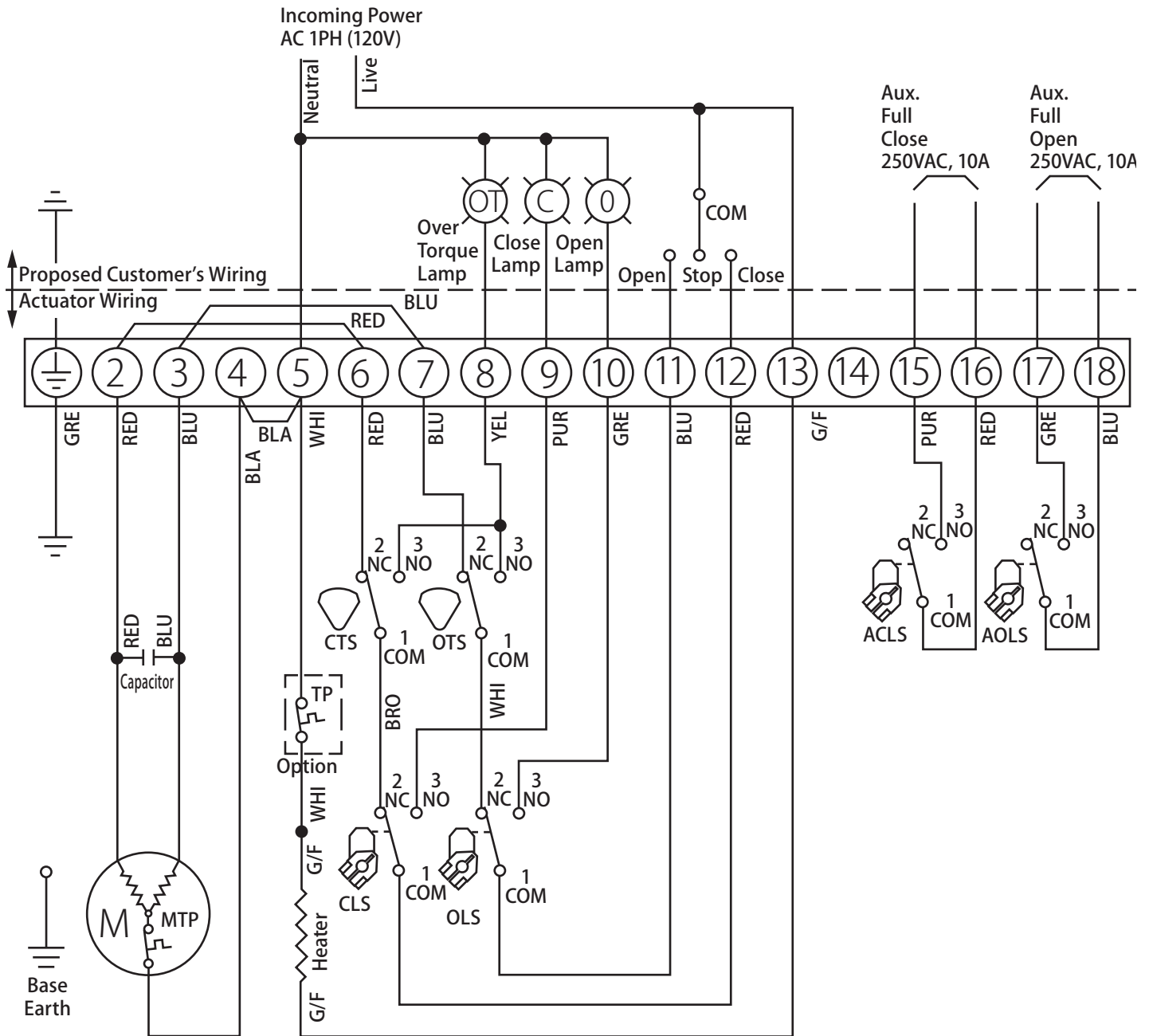
# Electric Actuator • AE-1400 - 9700



## Dimensions and Wiring Diagram (1400)

### Dimensions

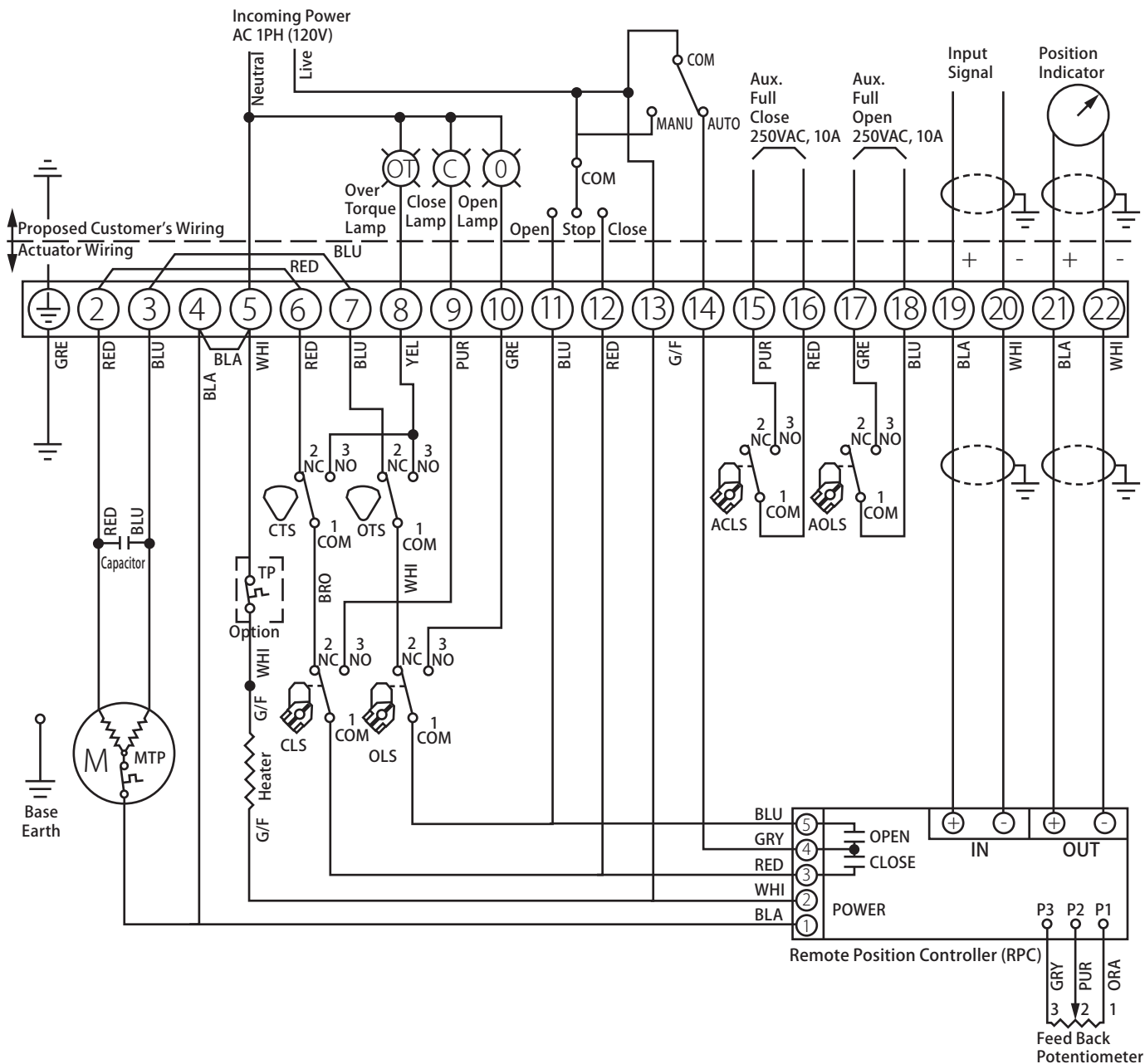
Actuator	A	B	C	D	E	F	G	H	J	K	L	M	N	P	R	S	T	U	V
AE-1400	13.31	2.99	7.76	2.56	3.07	2.36	4.92	9.02	5.71	3.31	2.24	8.54	2.64	11.18	4-M8	F07	4-M10	F10	0.87
AE-2100	13.31	2.99	7.76	2.56	3.07	2.36	4.92	9.02	5.71	3.31	2.24	8.54	2.64	11.18	4-M8	F07	4-M10	F10	0.87
AE-3100	14.06	3.07	8.43	2.56	3.54	2.56	5.83	9.45	6.30	3.31	2.64	9.65	2.68	12.32	4-M10	F10	4-M12	F12	1.06
AE-4400	14.06	3.07	8.43	2.56	3.54	2.56	5.83	9.45	6.30	3.31	2.64	9.65	2.68	12.32	4-M10	F10	4-M12	F12	1.06
AE-7000	14.96	3.46	8.94	2.56	4.33	2.76	7.01	11.18	7.05	4.13	3.19	10.43	2.87	13.31	4-M12	F12	4-M16	F14	1.42
AE-9700	14.96	3.46	8.94	2.56	4.33	2.76	7.01	11.18	7.05	4.13	3.19	10.43	2.87	13.31	4-M12	F12	4-M16	F14	1.54



LT-JV-C 082018

# Electric Actuator • AE-1400M - 9700M

## Wiring Diagram (1400M)



# Pneumatic Actuator

## Double Acting and Spring Return Rotary



### JV Series Actuators

Drawing, dimensions and torques on next two pages

#### Description

Jomar JV Series rotary pneumatic actuators are designed for use with quarter-turn ball, butterfly and plug valves as well as damper applications. The JV Series actuator is designed for high-cycle applications and can be utilized in hazardous and corrosive environments.

#### Features

- Hard anodized aluminum body with both internal and external corrosion protection
- Manufactured to fully conform to ISO5211 and DIN3337
- Namur interface mounting of solenoid valves, limit switches and positioners

- Precision honed cylinder surfaces for longer life and low coefficient of friction
- Dual rack and pinion design with multiple bearings and guides
- Blow-out proof output shaft
- Modular type, epoxy coated spring design offers a wide torque range, corrosion resistance and an extended life cycle
- O-ring sealed to prevent outside contamination
- Stainless steel fasteners
- Travel stops are standard on all models
- Manufactured with silicone-free lubricants
- Torque ranges - Double Acting: up to 388,762 in-lb; Spring Return: up to 257,836 in-lb

Model	SQ	ISO	Double Acting Output Torque (in-lb) based on supply pressure (PSI)				Spring Return Output Torque (in-lb) @ 80PSI w/ 11 springs (standard)	
			40	60	80	100	Air Start	Spring End
JV-50	0.43	F03/05	90	135	180	225	109	71
JV-60	0.55	F05/07	183	274	365	457	221	144
JV-70	0.55	F05/07	284	426	567	709	344	223
JV-80	0.67	F05/07	416	625	833	1041	505	328
JV-90	0.67	F05/07	585	878	1170	1483	709	461
JV-100	0.87	F07/10	785	1177	1589	1961	951	618
JV-120	0.87	F07/10	1351	2026	2702	3377	1638	1064
JV-140	1.06	F10/12	1695	2542	3389	4236	2054	1335
JV-160	1.06	F10/12	2767	4150	5533	6917	3354	2179
JV-190	1.42	F14	4552	6827	9103	11379	5518	3585
JV-200	1.42	F14	5719	8579	11438	14298	6934	4504
JV-240	1.81	F16	1132	15197	20263	25329	12284	7979
JV-270	1.81	F16	12709	19064	25418	31773	15409	10009
JV-300	1.81	F16	17832	26747	35663	44579	21620	14043

\_ = Must specify style: D = Double Acting, S = Spring Return

LT-JV-C 082018

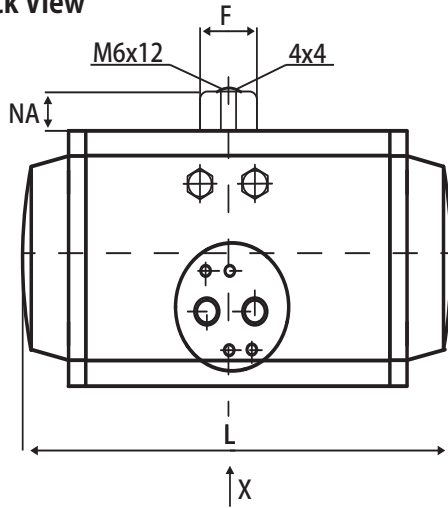


# Pneumatic Actuator

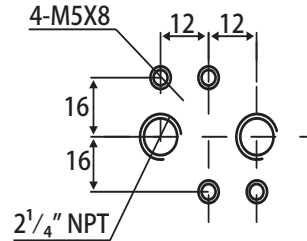
## Double Acting and Spring Return Rotary

Page 2

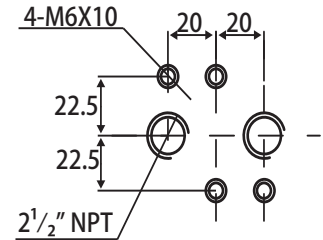
Back View



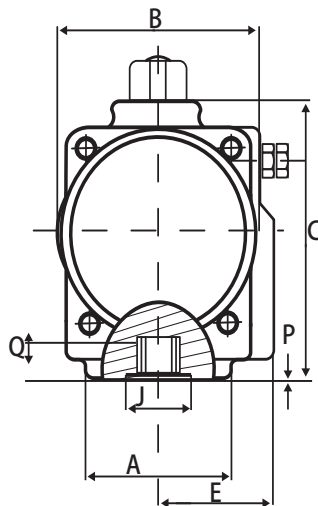
Air Connect  
JV-50 - JV-200



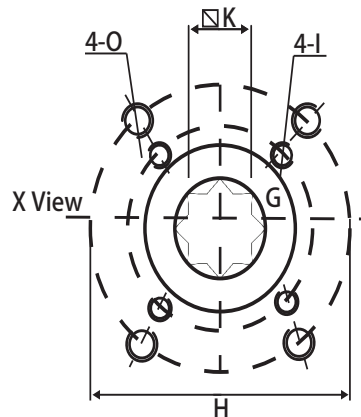
Air Connect  
JV-240 - JV-300



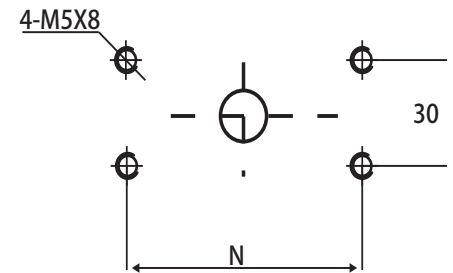
Left Side View



Bottom Mount



Top Mount



Dimensions

Model	A	B	C	E	NA	F	G ISO	G DIA DIM	H ISO	H DIA DIM	I	J	K	L	N	O	P	Q	Air Connection
JV-50	2.05	2.28	2.76	1.61	0.79	1.57	F03	1.42	F05	1.97	M5X8	0.98	0.43	6.30	3.15	M6X10	0.04	0.47	1/4" NPT
JV-60	2.52	2.91	3.50	1.89	0.79	1.57	F05	1.97	F07	2.76	M6X10	1.10	0.55	7.56	3.15	M8X13	0.04	0.63	1/4" NPT
JV-70	2.68	3.35	3.94	2.05	0.79	1.57	F05	1.97	F07	2.76	M6X10	1.26	0.55	8.58	3.15	M8X13	0.04	0.63	1/4" NPT
JV-80	2.68	3.78	4.45	2.20	0.79	1.57	F05	1.97	F07	2.76	M6X10	1.42	0.67	9.37	3.15	M8X13	0.04	0.75	1/4" NPT
JV-90	3.74	4.21	4.84	2.56	0.79	1.57	F07	2.76	F10	4.02	M8X13	1.57	0.67	10.75	3.15	M10X16	0.04	0.75	1/4" NPT
JV-100	3.78	4.72	5.35	2.76	0.79	1.57	F07	2.76	F10	4.02	M8X13	1.57	0.67	10.79	3.15	M10X16	0.04	0.75	1/4" NPT
JV-120	3.78	5.43	6.34	3.15	0.79	2.28	F07	2.76	F10	4.02	M8X13	2.09	0.87	13.19	3.15	M10X16	0.06	0.94	1/4" NPT
JV-140	4.65	6.06	7.01	3.54	0.79	2.28	F10	4.02	F12	4.92	M10X16	2.09	1.06	14.57	5.12	M12X20	0.06	1.14	1/4" NPT
JV-160	4.65	6.93	7.87	4.06	0.79	2.28	F10	4.02	F12	4.92	M10X16	2.60	1.06	16.85	5.12	M12X20	0.06	1.14	1/4" NPT
JV-190	5.35	8.23	9.13	4.41	0.79	2.28	F10	4.02	F14	5.51	M10X16	3.07	1.42	19.21	5.12	M16X25	0.06	1.50	1/4" NPT
JV-200	5.51	9.09	10.04	4.80	1.18	3.15			F14	5.51		3.46	1.42	21.65	5.12	M16X25	0.06	1.50	1/4" NPT
JV-240	6.50	11.02	11.97	6.10	1.18	3.15			F16	6.50		3.94	1.81	23.54	5.12	M20X28	0.06	1.89	1/2" NPT
JV-270	6.50	11.97	12.99	6.57	1.18	3.15			F16	6.50		4.33	1.81	26.46	5.12	M20X28	0.08	1.89	1/2" NPT
JV-300	6.85	12.83	13.94	6.89	1.18	3.15			F16	6.50		4.92	1.81	30.87	5.12	M20X28	0.08	1.89	1/2" NPT

\_ = Must specify style: D = Double Acting, S = Spring Return

# Pneumatic Actuator



## Double Acting and Spring Return Rotary

Page 3

		JV Series											
		Spring Return Output Torque (in-lb)											
JV Size	Spring No	40 PSI		60 PSI		80 PSI		100 PSI		Spring Torque			
		Air Start 0	Air End 90	Air Start 0	Air End 90	Air Start 0	Air End 90	Air Start 0	Air End 90	Spring Start 90	Spring End 0	Spring Start 90	Spring End 0
JV-50	6	51	33	96	78	141	123	186	168	57	39		
	7	45	23	90	68	135	113	180	158	67	45		
	8			83	58	128	103	173	148	77	52		
	9			77	49	122	94	167	139	86	58		
	10					116	84	161	129	96	64		
	11					109	75	154	120	105	71		
12						148	110			115	77		
JV-60	6	105	67	196	158	287	249	379	341	116	78		
	7	91	47	182	138	273	229	365	321	136	92		
	8			169	119	260	210	352	302	155	105		
	9			156	99	247	190	339	282	175	118		
	10					234	171	326	263	194	131		
	11					221	152	313	244	213	144		
12								300	224	233	157		
JV-70	6	162	103	314	245	445	386	587	528	181	122		
	7	142	73	294	215	425	356	567	498	211	142		
	8			274	185	405	326	547	468	241	162		
	9			253	155	384	296	526	438	271	183		
	10					364	266	506	408	301	203		
	11					344	236	486	378	331	223		
12								465	347	362	244		
JV-80	6	237	151	446	360	654	568	862	776	265	179		
	7	207	106	416	315	624	523	832	731	310	209		
	8			386	271	594	479	802	687	354	239		
	9			357	227	565	435	773	643	398	268		
	10					535	391	743	599	442	298		
	11					505	347	713	555	486	328		
12								683	510	531	358		
JV-90	6	334	212	627	505	919	797	1212	1090	373	251		
	7	292	150	585	443	877	735	1170	1028	435	293		
	8			543	381	835	673	1128	966	497	335		
	9			501	319	793	611	1086	904	559	377		
	10					751	549	1044	842	621	419		
	11					709	486	1002	779	684	461		
12								960	717	746	503		
JV-100	6	448	285	840	677	1232	1069	1624	1461	500	337		
	7	392	202	784	594	1176	986	1568	1378	583	393		
	8			728	510	1120	902	1512	1294	667	449		
	9			671	427	1063	819	1455	1211	750	506		
	10			615	344	1007	736	1399	1128	833	562		
	11					951	652	1343	1044	917	618		
12								1287	961	1000	674		
JV-120	6	771	490	1446	1165	2122	1841	2797	2516	861	580		
	7	674	347	1349	1022	2025	1698	2700	2373	1004	677		
	8			1252	878	1928	1554	2603	2229	1148	774		
	9			1156	735	1832	1411	2507	2086	1291	870		
	10					1735	1267	2410	1942	1435	967		
	11					1638	1124	2313	1799	1578	1064		
12								2216	1656	1721	1161		

		JV Series											
		Spring Return Output Torque (in-lb)											
JV Size	Spring No	40 PSI		60 PSI		80 PSI		100 PSI		Spring Torque			
		Air Start 0	Air End 90	Air Start 0	Air End 90	Air Start 0	Air End 90	Air Start 0	Air End 90	Spring Start 90	Spring End 0	Spring Start 90	Spring End 0
JV-140	6	967	615	1814	1462	2661	2309	3508	3156	1080	728		
	7	846	435	1693	1282	2540	2129	3387	2976	1260	849		
	8			1571	1102	2418	1949	3265	2796	1440	971		
	9			1450	922	2297	1769	3144	2616	1620	1092		
	10					2176	1589	3023	2436	1800	1213		
	11					2054	1410	2901	2257	1979	1335		
12								2780	2077	2159	1456		
JV-160	6	1579	1004	2962	2387	4345	3770	5729	5154	1763	1188		
	7	1380	710	2763	2093	4146	3476	5530	4860	2057	1387		
	8			2565	1800	3948	3183	5332	4567	2350	1585		
	9			2367	1506	3750	2889	5134	4273	2644	1783		
	10					3552	2595	4936	3979	2938	1981		
	11					3354	2301	4738	3685	3232	2179		
12								4540	3391	3526	2377		
JV-190	6	2597	1652	4872	3927	7148	6203	9424	8479	2900	1955		
	7	2271	1169	4546	3444	6822	5720	9098	7996	3383	2281		
	8			4220	2960	6496	5236	8772	7512	3867	2607		
	9			3894	2477	6170	4753	8446	7029	4350	2933		
	10					5844	4269	8120	6545	4834	3259		
	11					5518	3786	7794	6062	5317	3585		
12								7469	5579	5800	3910		
JV-200	6	3262	2075	6122	4935	8981	7794	11841	10654	3644	2457		
	7	2853	1468	5713	4328	8572	7187	11432	10047	4251	2866		
	8			5303	3720	8162	6579	11022	9439	4859	3276		
	9			4894	3113	7753	5972	10613	8832	5466	3685		
	10					7343	5365	10203	8225	6073	4095		
	11					6934	4757	9794	7617	6681	4504		
12								9385	7010	7288	4913		
JV-240	6	5780	3676	10845	8741	15911	13807	20977	18873	6456	4352		
	7	5054	2601	10119	7666	15185	12732	20251	17798	7531	5078		
	8			9394	6590	14460	11656	19526	16722	8607	5803		
	9			8669	5514	13735	10580	18801	15646	9683	6528		
	10					13009	9504	18075	14570	10759	7254		
	11					12284	8428	17350	13494	11835	7979		
12								16625	12418	12911	8704		
JV-270	6	7250	4611	13605	10966	19959	17320	26314	23675	8098	5459		
	7	6340	3262	12695	9617	19049	15971	25404	22326	9447	6369		
	8			11785	8267	18139	14621	24494	20976	10797	7279		
	9			10875	6917	17229	13271	23584	19626	12147	8189		
	10					16319	11922	22674	18277	13496	9099		
	11					15409	10572	21764	16927	14846	10009		
12								20854	15577	16196	10919		
JV-300	6	10172	6470	19087	15385	28003	24301	36919	33217	11362	7660		
	7	8896	4577	17811	13492	26727	22408	35643	31324	13255	8936		
	8			16534	11598	25450	20514	34366	29430	15149	10213		
	9			15257	9704	24173	18620	33089	27536	17043	11490		
	10					22897	16727	31813	25643	18936	12766		
	11					21620	14833	30536	23749	20830	14043		
12								29259	21856	22723	15320		

LIT-JV-C 082018

# Positioner

## Electro-Pneumatic Rotary Positioner



AEP

### Features

- Aluminum housing construction
- Visual position indicator
- Enclosure: IP66
- Input: 4-20mA / 0-10 VDC
- Supply: 20-100 PSI
- Impedance: 250 OHM  $\pm$  15 OHM
- Linearity:  $\pm$ 2% FS
- Operating Temperature: -4°F to 158°F
- Repeatability:  $\pm$ 0.5% FS
- Hysteresis:  $\pm$ 1% FS
- Flow Capacity: 80 LPM
- Air Consumption: 3 LPM
- Weight: 6.21 LB
- Enclosure: IP66
- Explosion proof approval: ExdII BT6
- Signal: 1/2" conduit
- Connections: 1/4" air / 1/8" gauge
- For use with 1/4-turn rotary actuators

# Positioner

## Pneumatic Rotary Positioner



APP

### Features

- Aluminum housing construction
- Visual position indicator
- Input: 3-15 PSI
- Supply: 20-100 PSI
- Linearity:  $\pm$ 2% FS
- Operating Temperature: -4°F to 158°F
- Repeatability:  $\pm$ 0.5% FS
- Hysteresis:  $\pm$ 1% FS
- Flow Capacity: 80 LPM
- Air Consumption: 3 LPM
- Weight: 3.7 LB
- Enclosure: IP66
- Connections: 1/4" air / 1/8" gauge
- For use with 1/4-turn rotary actuators

# Solenoid Valve

## Four Way Solenoid Valve



ASV

### Features

- Extruded aluminum body with NBR seal
- 120/60/1 coil with IP 67 rating
- Manual override
- 1/4" NPT exhaust port
- 1/2" NPT conduit connection
- Operating Temp: -40°F to 140°F
- Operating Pressure: 20 to 120 PSI

### Options

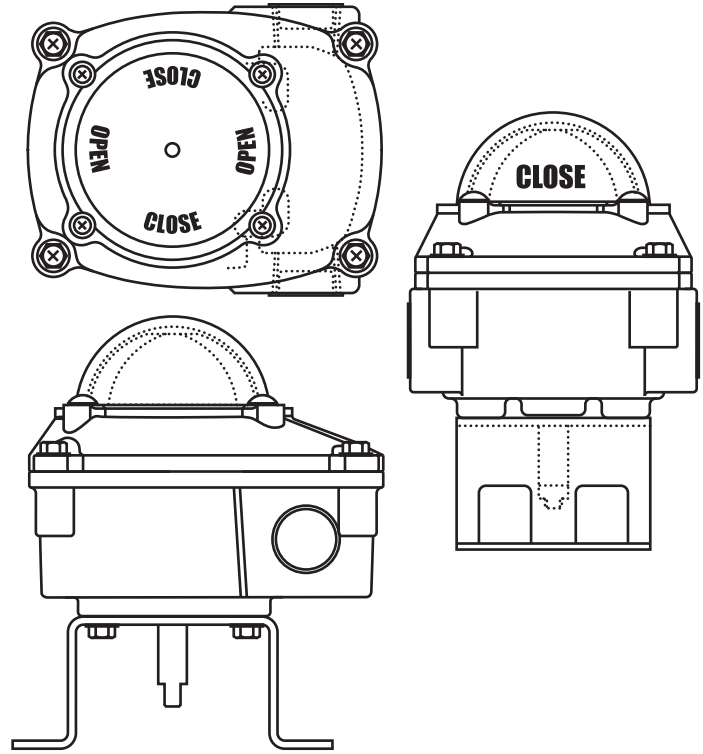
- 24 VAC
- 240 VAC
- 24 VDC
- 120 VAC explosion proof

# Limit Switch

## Limit Switch with Dome Indicator



ASM

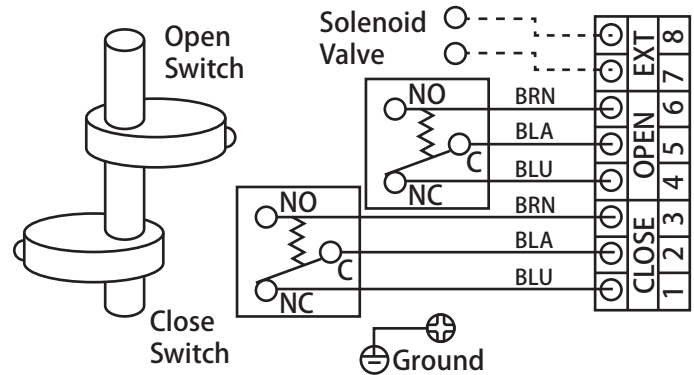


### Features

- Die-cast aluminum, epoxy-polyester coated housing
- O-ring sealed to prevent contaminants from entering switch compartment
- Position indicator manufactured of high-impact polycarbonate; yellow = open / red = closed
- 2 mechanical switches are of SPDT design
- Eight position terminal strip included
- Enclosure is IP 67 weatherproof design
- Stainless steel mounting bracket made to NAMUR
- 2 cable entries (1/2" NPT)

### Options

- Explosion proof: EExd IIB T6 and EExd IIC T6
- Switches: Maximum of (4) SPDT mechanical switches
- 2 Proximity switches
- Adjustable mounting bracket



LT-JV-C 082018

# Direct Mount Ball Valve

2 Piece • Full Port • Threaded Connection • 600 WOG •  
with ISO Mounting Pad



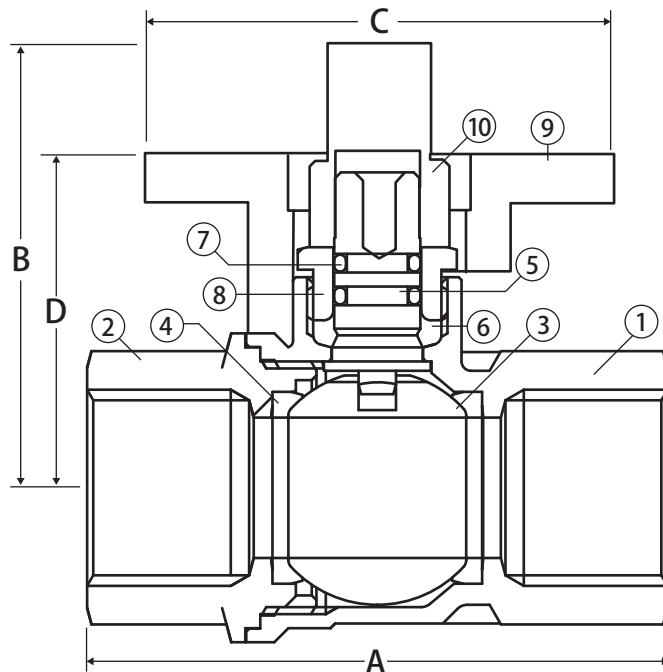
**T-100 Direct Mount Series**

## Features

- Blow-out proof stem
- ISO 5211 mounting pad
- 100% leak tested
- Fits any T-100, S-100 or JP-100

## Approvals

- UL Listed (1/4" - 2")
  - VQGU - Trim & drain
  - MHKZ - Manual valves (T-100NE only)
  - YQNZ - Compressed gas shut-off valves (T-100NE only)
  - YRBX - Flammable liquid shut-off valves (T-100NE only)
  - YRPV - Gas shut-off valves (T-100NE only)
  - YSDT - LP gas shut-off valves (T-100NE only)
  - SFJQ - Valves, refrigerant (T-100NE only)
- CSA Certified
  - ANSI Z21.15 (.5 PSIG) (1/4" - 3") (T-100NE only)
  - ASME B16.33 (125 PSIG) (1/2" - 2")
  - ASME B16.38 (125PSIG) (2-1/2" - 4") (T-100NE only)
  - CGA 3.16 (125 PSI) (1/4" - 4")
  - CGA 9.2 (1/4" - 3") (T-100NE only)
- Delta C (3/8" - 3/4") (T-100NE only)
- MSS SP-110
- ANSI B1.20.1



## Dimensions

Valve	Bracket & Coupler	Size	A	B	C	D	ISO	SQ	Torque
<b>T-100NE</b>									
100-701	A1B-A1C11	1/4"	1.86	1.77	1.97	1.26	F03/F05	0.43	23
100-702	A1B-A1C11	3/8"	1.86	1.77	1.97	1.26	F03/F05	0.43	23
100-703	A1B-A1C11	1/2"	2.45	1.95	1.97	1.50	F03/F05	0.43	35
100-704	A2B-A2C11	3/4"	2.71	2.10	1.97	1.43	F03/F04/F05	0.43	62
100-705	A3B-A3C11	1"	3.30	2.63	1.97	2.12	F05	0.43	89
100-706	A3B-A3C11	1-1/4"	3.80	2.81	1.97	2.35	F05	0.43	132
100-707	A4B-A4C14	1-1/2"	4.16	2.84	2.79	2.44	F05/F07	0.55	177
100-708	A4B-A4C14	2"	5.00	3.65	2.79	3.17	F05/F07	0.55	222
100-709	Fabricated	2-1/2"	6.06				Fabricated		354
100-710	Fabricated	3"	7.08				Fabricated		442
100-711	Fabricated	4"	8.57				Fabricated		620

## Material Specifications

No.	Part	Materials
1	Body*	Brass - CW617N
2	End Connection*	Brass - CW617N
3	Ball**	T.E.A. Coated Brass - CW617N
4	Seat (2)	Hostaflo® TFM 1600
5	Stem**	Brass - CW614N
6	Packing	Hostaflo® TFM 1600
7	Stem O-Ring (2)	Viton®
8	Packing Gland*	Brass - CW614N
9	Mounting Pad	Brass - CW614N
10	Stem Adapter	302 Stainless Steel
11	Set Screw† (2)	Stainless Steel

\*Component may be T.E.A. Coated depending upon selection  
 \*\*Component may be 316 Stainless Steel depending upon selection  
 †Component not shown in drawing

## T-100SSE

100-501	A1B-A1C11	1/4"	1.86	1.77	1.97	1.26	F03/05	0.43	23
100-502	A1B-A1C11	3/8"	1.86	1.77	1.97	1.26	F03/05	0.43	23
100-503	A1B-A1C11	1/2"	2.45	1.95	1.97	1.50	F03/05	0.43	35
100-504	A2B-A2C11	3/4"	2.71	2.10	1.97	1.43	F03/04/05	0.43	62
100-505	A3B-A3C11	1"	3.30	2.63	1.97	2.12	F05	0.43	89
100-506	A3B-A3C11	1-1/4"	3.80	2.81	1.97	2.35	F05	0.43	132
100-507	A4B-A4C14	1-1/2"	4.16	2.84	2.79	2.44	F05/07	0.55	177
100-508	A4B-A4C14	2"	5.00	3.65	2.79	3.17	F05/07	0.55	222
100-509	Fabricated	2-1/2"	6.06				Fabricated		354
100-510	Fabricated	3"	7.08				Fabricated		442

Note: Torque is in (in-lb)



**WARNING:** This product can expose you to chemicals including lead, which is known to the State of California to cause cancer, and lead, which is known to the State of California to cause birth defects or other reproductive harm. For more information go to [www.P65Warnings.ca.gov](http://www.P65Warnings.ca.gov).

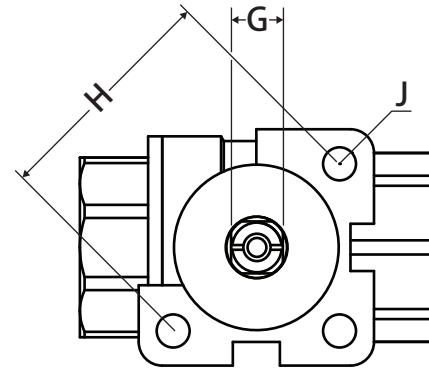
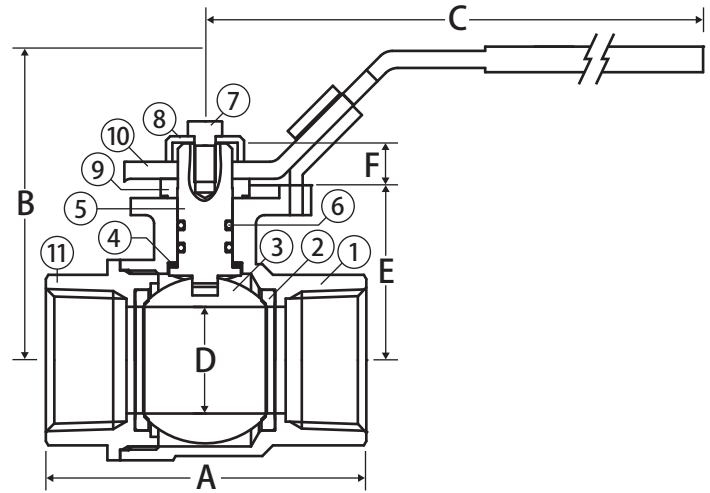
# Direct Mount Ball Valve



2 Piece • Full Port • Threaded Connection • 600 WOG •  
ISO Mounting Pad • Stainless Steel Ball and Stem



A101



## Features

- Dezincification resistant alloy
- ISO 5211 direct mounting pad
- Square valve stem for direct mounting to any ISO actuator
- Blow out proof stem
- Latch lock may be locked in open or closed position
- 100% leak tested
- Wetted surface contains less than .25% lead content

## Approvals

- NSF 61-8
- NSF 372
- MSS SP-110
- ANSI B1.20.1
- RoHS Compliant

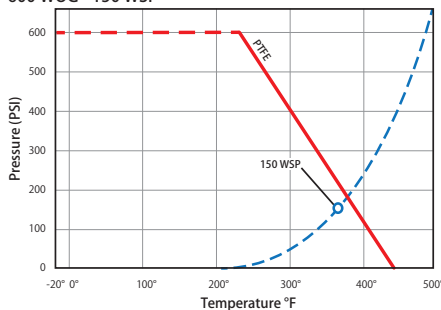


**WARNING:** This product can expose you to chemicals including lead, which is known to the State of California to cause cancer, and lead, which is known to the State of California to cause birth defects or other reproductive harm.

For more information go to [www.P65Warnings.ca.gov](http://www.P65Warnings.ca.gov).

## Valve Seat Rating

600 WOG - 150 WSP



## Material Specifications

No.	Part	Materials
1	Body	Lead Free Brass - C46500
2	Seat (2)	PTFE
3	Ball	304 Stainless Steel
4	Stem Seat	PTFE
5	Stem	304 Stainless Steel
6	O-ring (2)	Viton®
7	Screw	Nickel Plated Steel
8	Packing Nut	Nickel Plated Brass - C37700
9	Gasket	Nylon
10	Handle	Chrome Plated Steel
11	End Connection	Lead Free Brass

LIT-JV-C 082018

## Dimensions

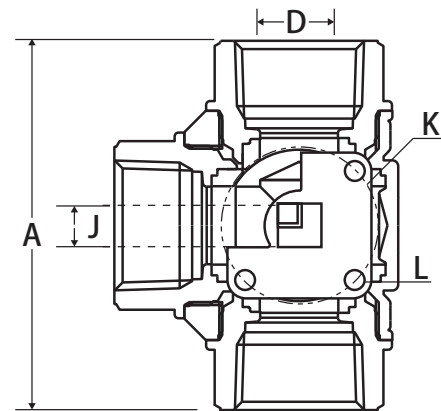
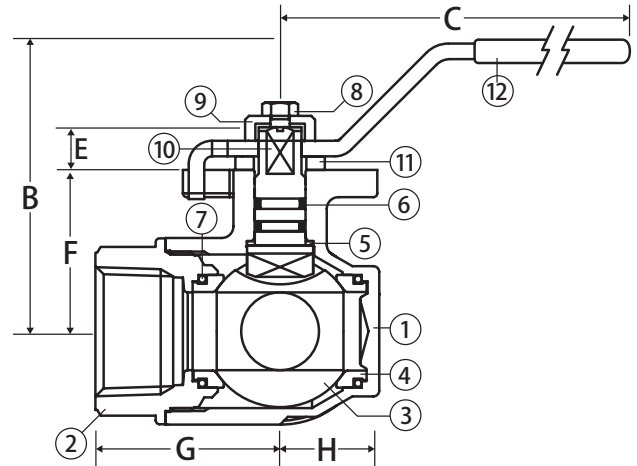
Part No.	Size	A	B	C	D	E	F	G	H	J	ISO	Torque
A101-12	1/2"	2.39	2.34	4.76	0.59	1.14	0.37	0.35	1.42	0.23	F03	16
A101-34	3/4"	2.57	2.48	4.76	0.75	1.28	0.37	0.35	1.42	0.23	F03	23
A101-1	1"	2.97	2.85	6.73	0.98	1.59	0.39	0.43	1.97	0.28	F05	36
A101-114	1-1/4"	3.44	3.15	6.73	1.26	1.82	0.39	0.43	1.97	0.28	F05	73

# Direct Mount Ball Valve

3-Way • Standard Port • Threaded Connection • 400 WOG • with ISO 5211 Direct Mounting Pad



**A751T/L**



## Features

- ISO 5211 direct mounting pad
- Square valve stem for direct mounting to any ISO actuator
- Four seats design
- Blow-out proof stem
- Temperatures to 344°F
- Ships with lever handle



**WARNING:** This product can expose you to chemicals including lead, which is known to the State of California to cause cancer, and lead, which is known to the State of California to cause birth defects or other reproductive harm. For more information go to [www.P65Warnings.ca.gov](http://www.P65Warnings.ca.gov).

## Approvals

- ANSI B1.20.1

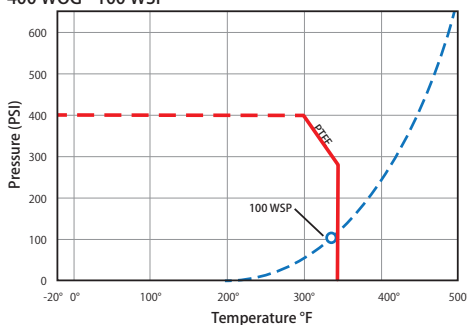
## Material Specifications

No.	Part	Materials
1	Body	Brass - CW617N
2	End Connection (3)	Brass - CW617N
3	Ball	Chrome Plated Brass - CW617N
4	Seat (4)	PTFE
5	Stem Seal	PTFE
6	O-ring (2)	Viton®
7	Body O-ring (4)	Viton®
8	Screw*	Steel
9	Bushing*	Brass - CW614N
10	Stem	Brass - CW614N
11	Washer*	Nylon
12	Handle*	Steel

\*Only included on lever operated valves

## Valve Seat Rating

400 WOG - 100 WSP



		Flow Options					
		T-Port			L-Port		
Lever Assembly	Position 1						
	Position 2						

## Dimensions

Part No.	Size	A	B	C	D	E	F	G	H	J	K	L	Torque
A750_-14*	1/4"	2.64	2.44	4.72	0.39	0.35	1.20	1.32	0.77	0.35	F03	0.23	54
A750_-38*	3/8"	2.64	2.44	4.72	0.43	0.35	1.20	1.32	0.77	0.35	F03	0.23	54
A751_-12	1/2"	2.87	2.44	4.72	0.43	0.35	1.20	1.44	0.77	0.35	F03	0.23	54
A751_-34	3/4"	3.19	2.52	4.72	0.59	0.35	1.29	1.60	0.87	0.35	F03	0.23	54
A751_-1	1"	3.74	2.95	6.69	0.79	0.43	1.63	1.87	1.00	0.43	F05	0.27	151
A751_-114	1-1/4"	4.39	3.17	6.69	0.98	0.43	1.85	2.20	1.22	0.43	F05	0.27	151
A751_-112	1-1/2"	4.86	3.66	6.69	1.26	0.43	2.34	2.43	1.79	0.43	F05	0.27	151
A751_-2	2"	5.73	4.43	9.05	1.57	0.59	2.90	2.87	1.75	0.55	F07	0.35	275
A750_-212*	2-1/2"	6.93	4.86	9.05	1.95	0.59	3.35	3.47	2.20	0.55	F07	0.35	381
A750_-3*	3"	7.08	4.86	9.05	1.95	0.59	3.35	3.54	2.20	0.55	F07	0.35	381

\_ = Must specify ball: T = T-Port, L = L-Port

\*1/4" - 3/8" and 2-1/2" - 3" are model A750, see [www.jomarvalve.com](http://www.jomarvalve.com) for detailed specification

Note: Torque is in (in-lb)

# Direct Mount Ball Valve



**2 Piece • Full Port • Flanged Connection • Class 150 •  
with ISO Mounting Pad**



**A2020D**

### Features

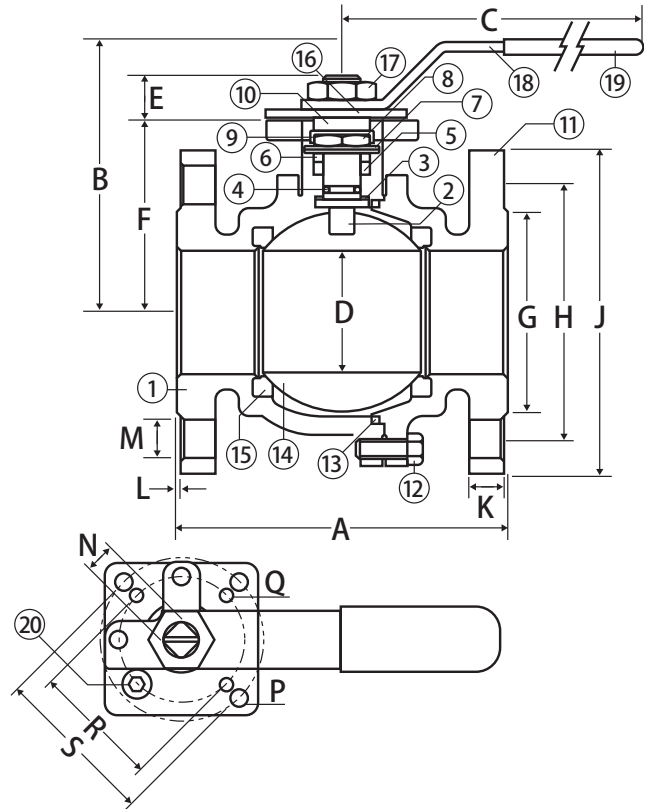
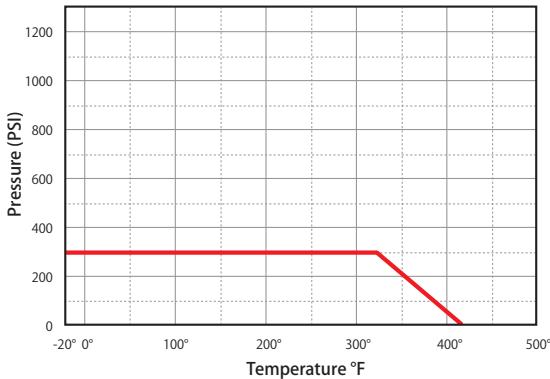
- ISO 5211 direct mounting pad
- Blow out proof stem
- Locking device comes standard
- 100 % leak tested
- Wetted surface contains less than .25% lead content

### Approvals

- Conforms to ANSI B16.34
- Flange: ANSI B16.5
- Face to Face: ANSI B16.10
- API 598
- NACE MR-01-75

### Valve Seat Rating

Class 150 :300 WOG



### Material Specifications

No.	Part	Materials	No.	Part	Materials
1	Body	CF8M	13	Gasket	PTFE
2	Stem	SS316	14	Ball	SS316
3	Thrust Washer	RPTFE	15	Ball Seat	RPTFE
4	O-Ring	Viton®	16	Stopper Plate	SS304
5	Stem Packing	PTFE	17	Handle Nut	SS304
6	Gland	SS304	18	Handle	SS304
7	Disk Washer	SS301	19	Sleeve	Plastic
8	Stem Nut	SS304	20	Stop Pin	SS304
9	Nut Stop	SS304	21	Set Bolt*	SS304
10	Washer	SS304	22	Lever Head*	CF8
11	Flanged End	CF8M	23	Pipe Handle*	Steel Pipe
12	Bolt	SS304			

\* Not shown and only on 2-1/2" + valves



**WARNING:** This product can expose you to chemicals including diisononyl phthalate (DINP), which is known to the State of California to cause cancer, and diisononyl phthalate (DINP), which is known to the State of California to cause birth defects or other reproductive harm. For more information go to [www.P65Warnings.ca.gov](http://www.P65Warnings.ca.gov).

### Dimensions

Part No.	Size	A	B	C	D	E	F	G	H	J	K	L	M	N	P	Q	R	S	Bolts	Torque
A2020D-12	1/2"	4.25	3.15	5.12	0.59	0.43	1.89	1.38	2.38	3.50	0.45	0.06	0.63	0.35	0.24	0.24	1.42	1.65	4	63.7
A2020D-34	3/4"	4.61	3.15	5.12	0.79	0.43	2.09	1.69	2.76	3.86	0.45	0.06	0.63	0.35	0.24	0.24	1.42	1.65	4	83.2
A2020D-1	1"	5.00	3.54	6.50	0.98	0.55	2.32	2.01	3.13	4.25	0.45	0.06	0.63	0.43	0.28	0.24	1.65	1.97	4	117
A2020D-114	1-1/4"	5.51	4.02	6.50	1.26	0.55	2.80	2.52	3.50	4.61	0.50	0.06	0.63	0.43	0.28	0.24	1.65	1.97	4	161
A2020D-112	1-1/2"	6.50	4.33	8.07	1.50	0.71	2.99	2.87	3.88	5.00	0.56	0.06	0.63	0.55	0.36	0.28	1.97	2.76	4	266
A2020D-2	2"	7.01	4.72	8.07	1.97	0.71	3.35	3.62	4.74	5.98	0.63	0.06	0.75	0.55	0.36	0.28	1.97	2.76	4	319
A2020D-212	2-1/2"	7.48	5.51	11.81	2.56	0.91	3.68	4.13	5.49	7.01	0.70	0.06	0.75	0.67	0.45	0.36	2.76	4.02	4	841
A2020D-3	3"	7.99	5.91	13.39	3.15	0.91	4.06	5.00	6.00	7.48	0.75	0.06	0.75	0.67	0.45	0.36	2.76	4.02	4	1170
A2020D-4	4"	9.02	7.09	16.54	3.94	0.98	5.20	6.18	7.50	9.02	0.94	0.06	0.75	0.87	0.53	0.45	4.02	4.92	8	2170

Note: Torque is in (in-lb)



# Direct Mount Ball Valve

2 Piece • Full Port • Threaded Connection • 1000 WOG •  
with ISO Mounting Pad



**A1001**

### Features

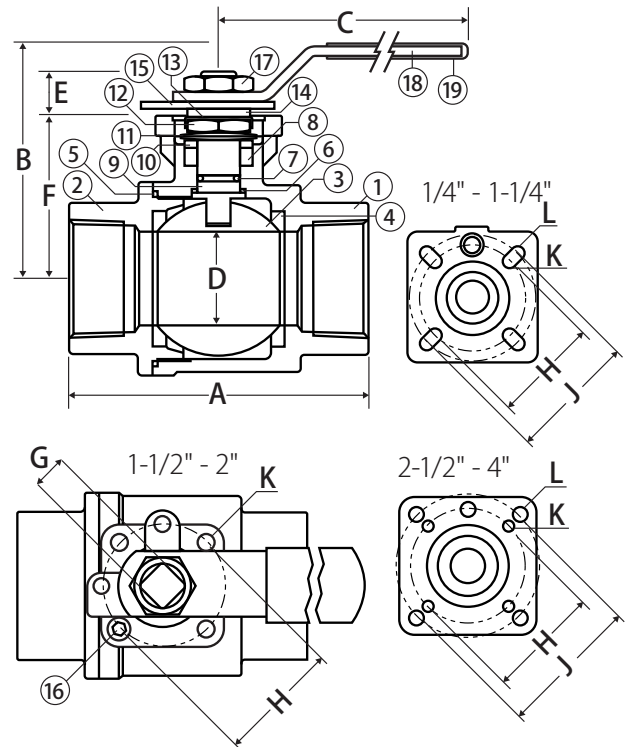
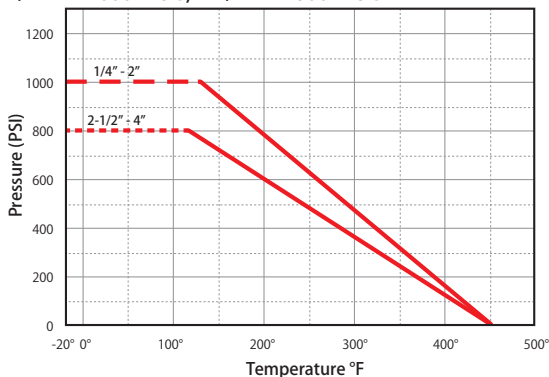
- Blow-out proof stem
- Adjustable stem packing
- ISO 5211 direct mounting pad
- Locking device may be locked in open or closed position
- 100% leak tested
- Wetted surface contains less than .25% lead content

### Approvals

- MSS SP-110
- ANSI B1.20.1

### Valve Seat Rating

1/4" - 2" 1000 WOG, 2-1/2" - 4" 800 WOG



No.	Part	Materials	No.	Part	Materials
1	Body	CF8M	13	Nut Stop	SS304
2	End Cap	CF8M	14	Space Washer	SS304
3	Ball	SS316	15	Plate	SS304
4	Seat	PTFE	16	Stop Pin	SS304
5	Gasket	PTFE	17	Handle Nut	SS304
6	Thrust Washer	RPTFE	18	Handle	SS304
7	O-Ring	Viton®	19	Sleeve	Plastic
8	Stem Packing	PTFE	20	Set Bolt*	SS304
9	Stem	SS316	21	Lever Head*	CF8
10	Fland	SS304	22	Lever *	Steel Pipe
11	Disc Washer	SS301			
12	Stem Nut	SS304			

\* Not shown and only on 2-1/2" + valves



**WARNING:** This product can expose you to chemicals including diisononyl phthalate (DINP), which is known to the State of California to cause cancer, and diisononyl phthalate (DINP), which is known to the State of California to cause birth defects or other reproductive harm. For more information go to [www.P65Warnings.ca.gov](http://www.P65Warnings.ca.gov).

### Dimensions

Part No.	Size	A	B	C	D	E	F	G	H	J	K	L	Torque
A1001-14	1/4"	2.22	2.60	5.12	0.43	0.35	1.46	0.35	1.42	1.65	0.24	0.24	45
A1001-38	3/8"	2.22	2.60	5.12	0.49	0.35	1.46	0.35	1.42	1.65	0.24	0.24	45
A1001-12	1/2"	2.32	2.60	5.12	0.59	0.35	1.46	0.35	1.42	1.65	0.24	0.24	54
A1001-34	3/4"	2.81	2.72	5.12	0.79	0.43	1.57	0.35	1.42	1.65	0.24	0.24	62
A1001-1	1"	3.13	3.15	6.30	0.98	0.55	1.89	0.43	1.65	1.97	0.24	0.28	85
A1001-114	1-1/4"	3.62	3.35	6.30	1.26	0.55	2.11	0.43	1.65	1.97	0.24	0.28	142
A1001-112	1-1/2"	4.11	3.86	8.07	1.50	0.71	2.50	0.55	1.97	-	0.28	-	239
A1001-2	2"	4.86	4.17	8.07	1.97	0.71	2.83	0.55	1.97	-	0.28	-	460
A1001-212	2-1/2"	6.54	5.79	12.20	2.50	0.71	3.68	0.67	2.76	4.02	0.35	0.44	602
A1001-3	3"	7.28	6.18	12.20	3.07	0.71	4.09	0.67	2.76	4.02	0.35	0.44	753

Note: Torque is in (in-lb)

# Direct Mount Ball Valve



**3 Piece 4 Bolt • Full Port • Threaded Connection • 1000 WOG • with ISO Mounting Pad**



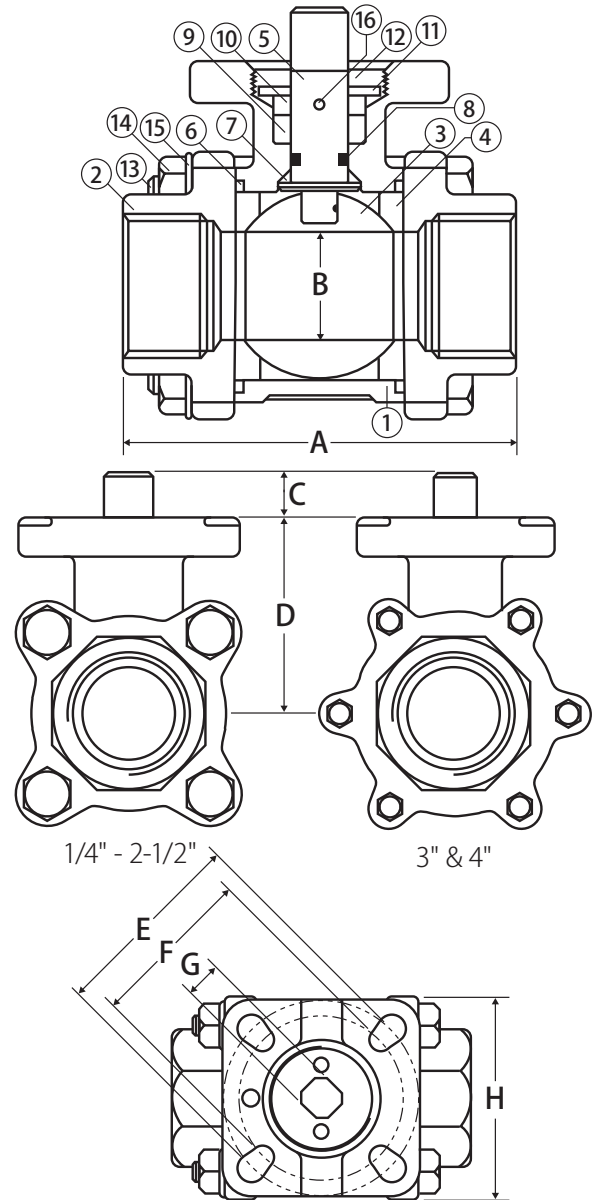
**A1000**

## Features

- Blow out proof stem
- Adjustable stem packing
- ISO 5211 mounting pad
- 3-piece swing out body
- Wetted surface contains less than .25% lead content
- Spring return handle available

## Approvals

- MSS SP-110
- ANSI B1.20.1

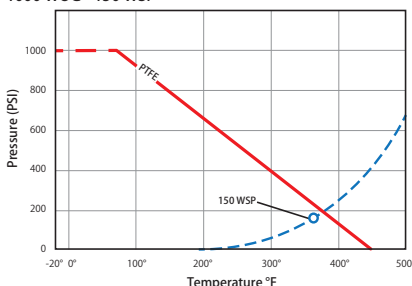


## Material Specifications

No.	Part	Materials
1	Body	CF8M Stainless Steel
2	End Cap (2)	CF8M Stainless Steel
3	Ball	CF8M Stainless Steel
4	Seat (2)	PTFE
5	Stem	316 Stainless Steel
6	Body Seal (2)	PTFE
7	Stem Seal	PTFE
8	Stem O-Ring	Viton®
9	Packing (2)	PTFE
10	Packing Ring	304 Stainless Steel
11	Belleville washer (2)	301 Stainless Steel
12	Packing Plate	304 Stainless Steel
13	Body Bolt (4 or 6)	304 Stainless Steel
14	Body Nut (4 or 6)	304 Stainless Steel
15	Lock Washer (8 or 12)	304 Stainless Steel
16	Anti-Static Device (2)	316 Stainless Steel

## Valve Seat Rating

1000 WOG - 150 WSP



**WARNING:** This product can expose you to chemicals including diisononyl phthalate (DINP), which is known to the State of California to cause cancer, and diisononyl phthalate (DINP), which is known to the State of California to cause birth defects or other reproductive harm. For more information go to [www.P65Warnings.ca.gov](http://www.P65Warnings.ca.gov).

## Dimensions

Part No.	Size	A	B	C	D	E	F	G	H	Torque	ISC
A1000-14	1/4"	2.56	0.39	0.28	1.65	1.65	1.41	0.35	1.83	40	F03,
A1000-38	3/8"	2.56	0.39	0.28	1.65	1.65	1.41	0.35	1.83	40	F03,
A1000-12	1/2"	2.96	0.63	0.35	1.57	1.65	1.41	0.35	1.65	40	F03,
A1000-34	3/4"	3.15	0.88	0.35	1.73	1.65	1.41	0.35	1.65	60	F03,
A1000-1	1"	3.55	1.13	0.43	2.04	1.97	1.65	0.43	1.97	70	F04,
A1000-114	1-1/4"	4.33	1.38	0.43	2.28	1.97	1.65	0.43	1.97	110	F04,
A1000-112	1-1/2"	4.75	1.63	0.55	2.67	2.75	1.97	0.55	2.75	170	F05,
A1000-2	2"	5.52	1.97	0.55	3.00	2.75	1.97	0.55	2.75	250	F05,
A1000-212	2-1/2"	7.29	2.55	0.70	3.86	4.01	2.75	0.67	4.01	650	F07/
A1000-3	3"	8.00	3.00	0.70	4.33	4.01	2.75	0.67	4.01	850	F07/
A1000-4	4"	9.50	3.93	0.94	4.96	4.92	4.01	0.86	4.92	950	F010

Note: Torque is in (in-lb)

LIT-JV-C 082018

# Direct Mount Ball Valve

**3 Piece 4 Bolt Enclosed • Full Port • Threaded Connection •  
2000 WOG • with ISO Mounting Pad**



**A2000**

## Features

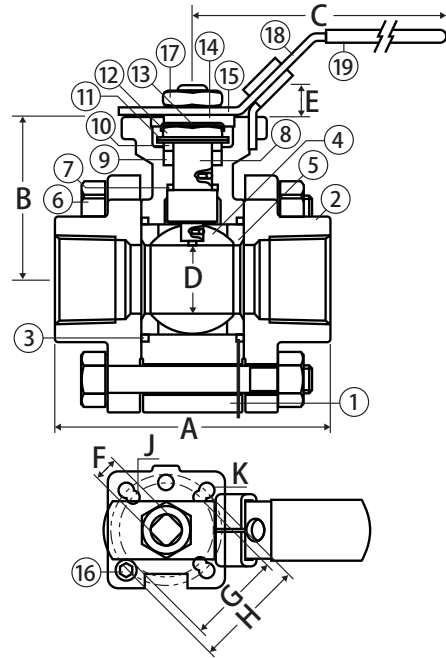
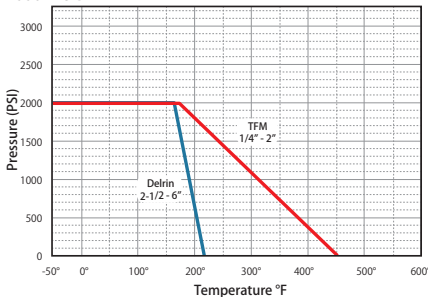
- ISO 5211 direct mounting pad
- Blow out proof stem
- 100 % leak tested
- Wetted surface contains less than .25% lead content
- Latch lock handle may be locked in open or closed position
- Cryogenic handle extension available
- Steam jacket available
- Bolt pattern and quantity vary with size, contact Jomar for more information
- Spring return handle available

## Approvals

- Conforms to ANSI B16.34
- MSS SP-110
- ANSI B1.20.1

## Valve Seat Rating

2000 WOG



## Material Specifications

No.	Part	Materials	No.	Part	Materials
1	Body	CF8M	11	Disc Washer	SS304
2	End Cap	CF8M	12	Stem Nut	SS304
3	Gasket (Body)	TFM	13	Nut Stop	SS304
4	Ball	SS316	14	Space Washer	SS304
5	Ball Seats	TFM/Delrin	15	Plater	SS304
6	Bolts	SS304	16	Stop Pin	SS304
7	Thrust Washer	TFM	17	Handle Nut	SS304
7a	Thrust Washer	PEEK	18	Handle	SS304
8	Stem	SS316	19	Handle Cover	Plastic
8a	Half Split Ring	SS316	20	Set Bolt*	SS304
8b	Anti-Static	SS316	21	Lever Head*	CF8
9	Stem Packing	TFM	22	Lever *	Steel Pipe
10	Gland Washer	SS304			

\*Not shown and only on 2-1/2" + valves



**WARNING:** This product can expose you to chemicals including diisononyl phthalate (DINP), which is known to the State of California to cause cancer, and diisononyl phthalate (DINP), which is known to the State of California to cause birth defects or other reproductive harm. For more information go to [www.P65Warnings.ca.gov](http://www.P65Warnings.ca.gov).

## Dimensions

Part No.	Size	A	B	C	D	E	F	G	H	J	K	Torque
A2000-14	1/4"	2.62	1.81	5.12	0.43	0.37	0.35	1.42	1.65	0.24	0.24	71
A2000-38	3/8"	2.62	1.81	5.12	0.49	0.37	0.35	1.42	1.65	0.24	0.24	71
A2000-12	1/2"	2.76	1.89	5.12	0.59	0.37	0.35	1.42	1.65	0.24	0.24	107
A2000-34	3/4"	3.62	2.09	6.10	0.79	0.47	0.43	1.65	1.97	0.24	0.24	133
A2000-1	1"	4.13	2.32	6.10	0.98	0.47	0.43	1.65	1.97	0.24	0.28	160
A2000-114	1-1/4"	4.37	2.44	8.07	1.26	0.57	0.55	1.97	2.76	0.28	0.36	222
A2000-112	1-1/2"	4.88	2.76	8.07	1.50	0.57	0.55	1.97	2.76	0.28	0.36	416
A2000-2	2"	5.91	3.54	11.81	1.97	0.75	0.67	2.76	4.02	0.36	0.45	735
A2000-212	2-1/2"	6.50	4.13	13.78	2.50	0.71	0.67	2.76	4.02	0.36	0.45	1461
A2000-3	3"	7.68	4.69	15.75	3.07	0.98	0.87	4.02	4.92	0.45	0.53	2213
A2000-4	4"	9.65	5.67	14.96	3.90	0.98	0.87	4.02	4.92	0.45	0.53	3364

Note: Torque is in (in-lb)

# Direct Mount Ball Valve



**3 Piece 4 Bolt • Standard Port • Tri-Clamp Connection •  
1000 WOG • with ISO Mounting Pad**



**A9000TD**

## Features

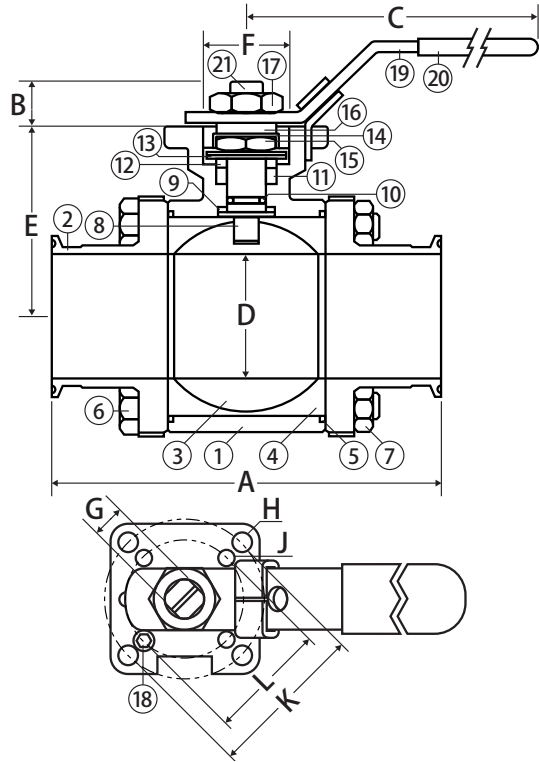
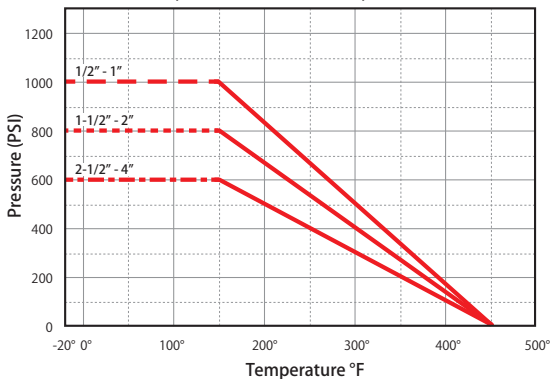
- ISO 5211 direct mounting pad
- Blow out proof stem
- 10RA I.D. finish
- Cavity filled seats
- 100% leak tested
- Wetted surface contains less than .25% lead content
- Latch Lock handle may be locked in open or closed position
- 4" is 6 bolt design
- Spring return handle available

## Approvals

- ISO 2852

## Valve Seat Rating

1/2" - 1" 1000 WOG, 1-1/2" - 2" 800 WOG, 2-1/2" - 4" 600WOG



## Material Specifications

No.	Part	Materials	No.	Part	Materials
1	Body	A351 GR. CF8M	13	Disc Washer	SS301
2	End Cap	A351 GR. CF8M	14	Nut Stopper	SS304
3	Ball	SS316	15	Stem Nut	SS304
4	Ball Seat	PTFE	16	Space Washer	SS304
5	Gasket	PTFE	17	Handle Nut	SS304
6	Body Bolt	SS304	18	Stop Pin	SS304
7	Body Nut	SS304	19	Handle	SS304
8	Stem	SS316	20	Sleeve	Plastic
9	Thrust Washer	RPTFE	21	Set Bolt*	SS304
10	O-Ring	Viton®	22	Lever Head*	CF8
11	Stem Packing	PTFE	23	Lever*	Steel Pipe
12	Gland Washer	SS304			

\* Not shown and only on 2-1/2" + valves



**WARNING:** This product can expose you to chemicals including diisononyl phthalate (DINP), which is known to the State of California to cause cancer, and diisononyl phthalate (DINP), which is known to the State of California to cause birth defects or other reproductive harm. For more information go to [www.P65Warnings.ca.gov](http://www.P65Warnings.ca.gov).

## Dimensions

Part No.	Size	A	B	C	D	E	F	G	H	J	K	L	ISO	Torque
A9000TD-12	1/2"	3.50	0.37	5.31	0.38	1.38	0.98	0.35	0.24	0.24	1.65	1.42	F03/F04	62
A9000TD-34	3/4"	4.00	0.37	5.31	0.62	1.54	0.98	0.35	0.24	0.24	1.65	1.42	F03/F04	71
A9000TD-1	1"	4.50	0.55	6.10	0.87	1.89	1.18	0.43	0.28	0.24	1.97	1.65	F04/F05	98
A9000TD-112	1-1/2"	5.50	0.71	8.07	1.37	2.40	1.38	0.55	0.36	0.28	2.76	1.97	F05/F07	266
A9000TD-2	2"	6.25	0.71	8.07	1.87	2.76	1.38	0.55	0.36	0.28	2.76	1.97	F05/F07	293
A9000TD-212	2-1/2"	6.75	0.87	11.42	2.37	3.54	2.17	0.67	0.44	0.35	4.02	2.76	F07/F10	664
A9000TD-3	3"	7.75	0.87	11.42	2.87	3.90	2.17	0.67	0.44	0.35	4.02	2.76	F07/F10	832
A9000TD-4	4"	9.50	1.02	13.19	3.83	5.16	2.76	0.87	0.53	0.44	4.92	4.02	F10/F12	1027

Note: Torque is in (in-lb)

# Direct Mount Ball Valve

3-Way • Full Port • Threaded Connection • 1000 WOG • with ISO Mounting Pad



**A850T/L**

### Features

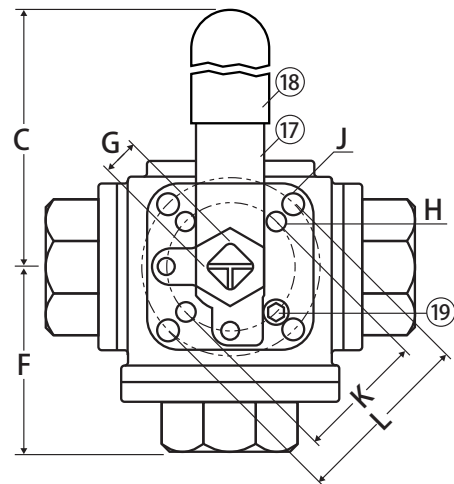
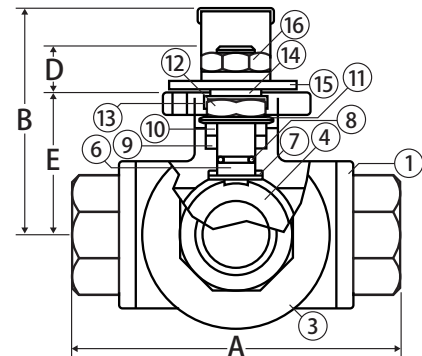
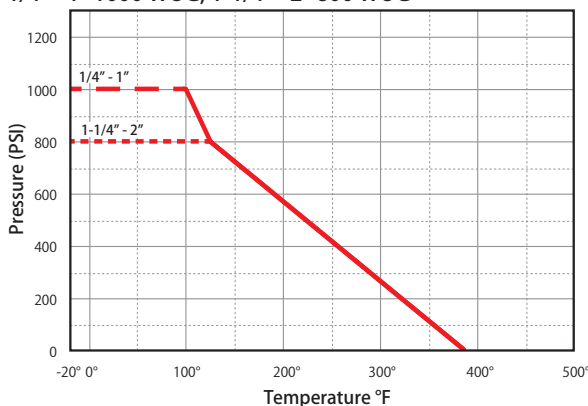
- ISO 5211 mounting pad
- Self adjusting stem packing
- Blow-out proof stem design
- Temperature range: -20°F to 450°F
- Four seat standard
- Locking device may be locked in open or closed position
- 100% tested
- Wetted surface contains less than .25% lead content

### Approvals

- ANSI B1.20.1

### Valve Seat Rating

1/4" - 1" 1000 WOG, 1-1/4" - 2" 800 WOG



### Material Specifications

No.	Part	Materials	No.	Part	Materials
1	End Cap	CF8M	11	Disc Washer	SS301
2	Gasket*	PTFE	12	Stem Nut	SS304
3	Body	CF8M	13	Nut Stop	SS304
4	Ball	SS316	14	Space Washer	SS304
5	Seat*	PTFE	15	Stopper Plate	SS304
6	Stem	SS316	16	Handle Nut	SS304
7	Thrust Washer	RPTFE	17	Handle	SS304
8	O-Ring	Viton	18	Sleeve	Plastic
9	Stem Packing	PTFE	19	Stop Pin	SS304
10	Gland	SS304			*Not Shown



**WARNING:** This product can expose you to chemicals including diisononyl phthalate (DINP), which is known to the State of California to cause cancer, and diisononyl phthalate (DINP), which is known to the State of California to cause birth defects or other reproductive harm. For more information go to [www.P65Warnings.ca.gov](http://www.P65Warnings.ca.gov).

### Dimensions

Part No.	Size	A	B	C	D	E	F	G	H	J	K	L	Port	Torque
A850_-14	1/4"	2.83	2.44	5.12	0.37	1.46	1.38	0.35	0.24	0.24	1.42	1.65	0.43	107
A850_-38	3/8"	2.83	2.44	5.12	0.37	1.46	1.38	0.35	0.24	0.24	1.42	1.65	0.47	107
A850_-12	1/2"	3.33	2.52	5.12	0.43	1.65	1.59	0.35	0.24	0.24	1.42	1.65	0.59	133
A850_-34	3/4"	3.94	3.23	6.50	0.55	1.93	1.95	0.43	0.24	0.28	1.65	1.97	0.79	160
A850_-1	1"	4.45	3.50	6.50	0.55	2.17	2.22	0.43	0.24	0.28	1.65	1.97	0.98	293
A850_-114	1-1/4"	4.94	3.86	8.07	0.67	2.48	2.44	0.55	0.28	0.36	1.97	2.76	1.26	532
A850_-112	1-1/2"	5.91	4.25	8.07	0.63	2.91	2.89	0.55	0.28	0.36	1.97	2.76	1.50	664
A850_-2	2"	6.85	5.51	12.80	0.83	3.62	3.43	0.67	0.36	0.45	2.76	4.02	1.97	744

Note: Torque is in (in-lb)

\_ in part number must specify ball- T = T-port; L = L-port

# Direct Mount Ball Valve



## Reduced Port • 3-Way Flanged Connection • Class 150



**A-766L**

### Features

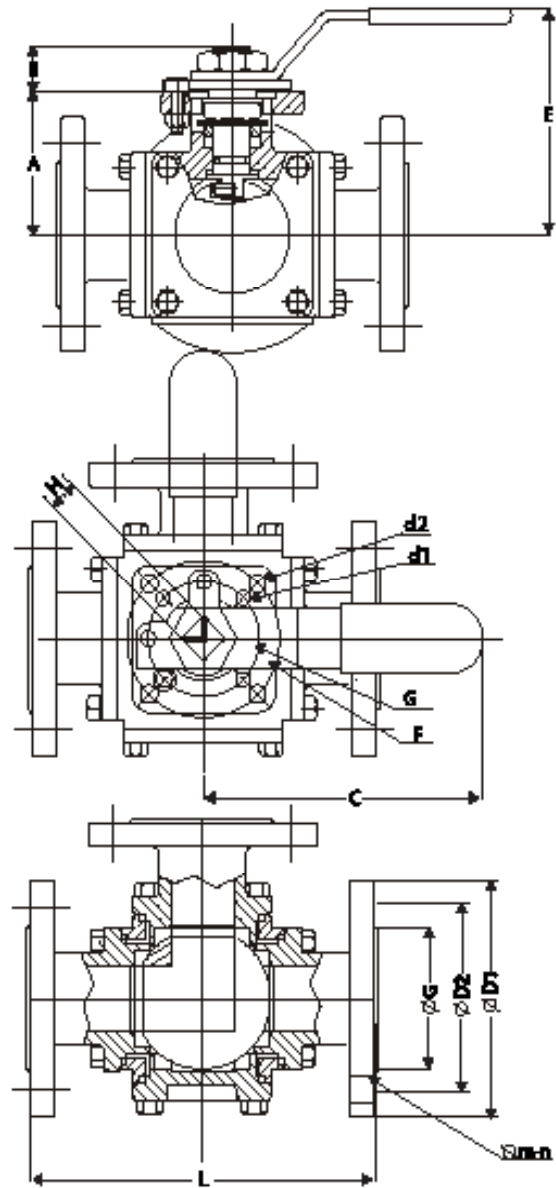
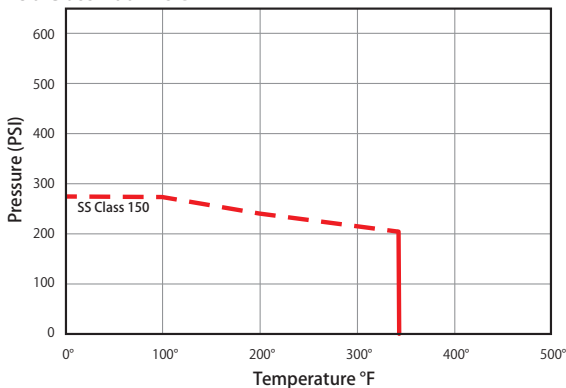
- Compact design
- AISI 316 stainless steel
- ANSI 150 flanged
- Max Temp 344°F
- Blow out proof stem
- 100% tested
- L-port style
- T-port available upon request
- Wetted surface contains less than .25% lead content
- Contact Jomar Valve for material specs

### Approvals

- ASME/ANSI B16.5

### Valve Seat Rating

150 Class 200 WOG



**WARNING:** This product can expose you to chemicals including diisononyl phthalate (DINP), which is known to the State of California to cause cancer, and diisononyl phthalate (DINP), which is known to the State of California to cause birth defects or other reproductive harm. For more information go to [www.P65Warnings.ca.gov](http://www.P65Warnings.ca.gov).

LIT-JV-C 082018

### Dimensions

Part No.	Size	A	B	C	D1	D2	d1	d2	E	F	G	H	L	M	N
A766L-12	1/2"	1.61	0.43	5.12	3.50	2.38	0.24	0.24	2.44	1.65	1.42	0.35	5.98	0.63	4
A766L-34	3/4"	1.93	0.55	6.50	3.86	2.76	0.24	0.28	3.23	1.97	1.65	0.43	6.57	0.63	4
A766L-1	1"	2.17	0.55	6.50	4.25	3.13	0.24	0.28	3.50	1.97	1.65	0.43	7.48	0.63	4
A766L-114	1-1/4"	2.48	0.67	8.07	4.61	3.50	0.28	0.36	3.86	2.76	1.97	0.55	8.19	0.63	4
A766L-112	1-1/2"	2.91	0.63	8.07	5.00	3.88	0.28	0.36	4.25	2.76	1.97	0.55	8.66	0.63	4
A766L-2	2"	3.66	0.83	12.80	5.98	4.74	0.36	0.45	5.51	4.02	2.76	0.67	9.96	0.63	4
A766L-212	2-1/2"	4.67	0.98	15.75	7.01	5.49	0.43	-	-	-	4.02	0.87	11.81	0.75	4
A766L-3	3"	5.37	0.98	19.69	7.48	6.00	0.43	-	-	-	4.02	0.87	12.01	0.75	4
A766L-4	4"	6.16	0.98	25.59	9.01	7.50	0.43	-	-	-	4.02	0.87	14.51	0.75	8

# Bronze Y-pattern Swing Check Valve



Threaded Connection • 300 WOG • Class 150



T-511

### Features

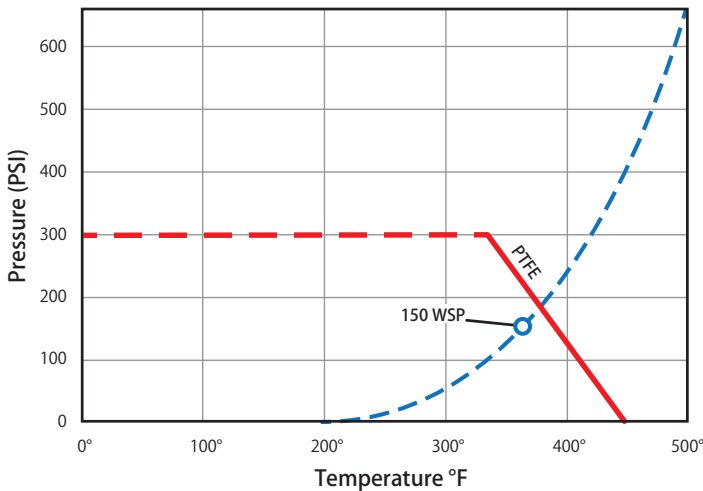
- Constructed of 85-5-5-5 bronze
- Can be installed in the vertical or horizontal position

### Approvals

- MSS SP-80
- ANSI B1.20.1

### Valve Seat Rating

300 WOG - 150 WSP

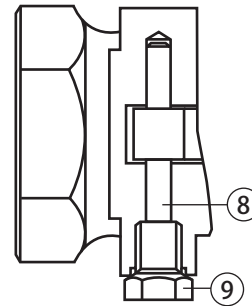
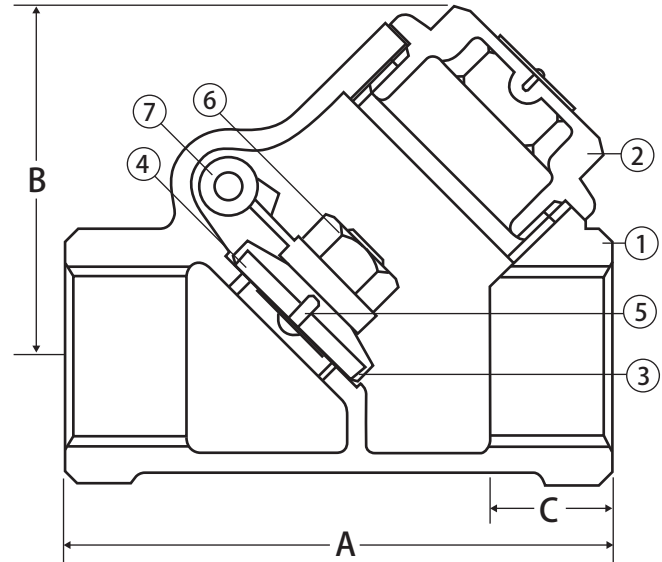


Install 5 pipe diameter minimum downstream from pump discharge or changes in direction to avoid flow turbulence. Flow straighteners may be required in extreme cases.

Note: On pump discharge, the preferred check valves are: inline, spring assisted, center-guided, lift checks.

Jomar Check Valves may be installed in both horizontal and vertical lines with upward flow or in an intermediate position. They will operate satisfactory in a declining plane (no more than 15°).

**Warning: Do Not Use For Reciprocating Air Compressor Service**



### Material Specifications

No.	Part	Materials
1	Body	Bronze
2	Cap	Bronze
3	Disc	Bronze
4	Seat	PTFE
5	Seat Screw	Brass
6	Seat Nut	Brass
7	Hinge Arm	Bronze
8	Hinge Pin	Brass
9	Hinge Screw	Brass

### Dimensions

Part No.	Size	A	B	C
105-303	1/2"	2.36	1.77	0.54
105-304	3/4"	2.76	1.97	0.57
105-305	1"	3.40	2.28	0.70
105-306	1-1/4"	3.78	2.67	0.71
105-307	1-1/2"	4.57	2.95	0.75
105-308	2"	5.35	3.70	0.79
105-309	2-1/2"	6.72	4.65	1.14
105-310	3"	7.55	5.47	1.18

**WARNING:** This product can expose you to chemicals including lead, which is known to the State of California to cause cancer, and lead, which is known to the State of California to cause birth defects or other reproductive harm. For more information go to [www.P65Warnings.ca.gov](http://www.P65Warnings.ca.gov).

# Bronze Y-pattern Swing Check Valve



Solder Connection • 300 WOG • Class 150



S-511

## Features

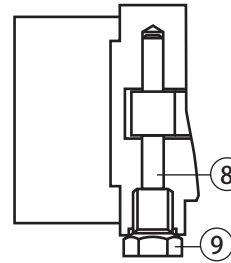
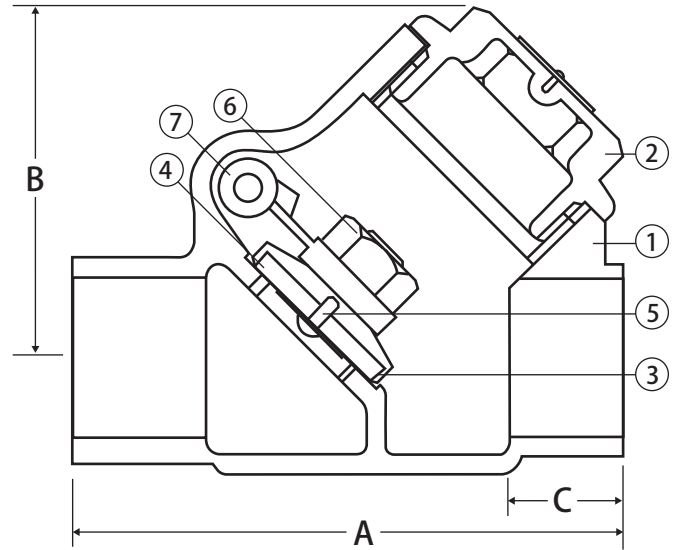
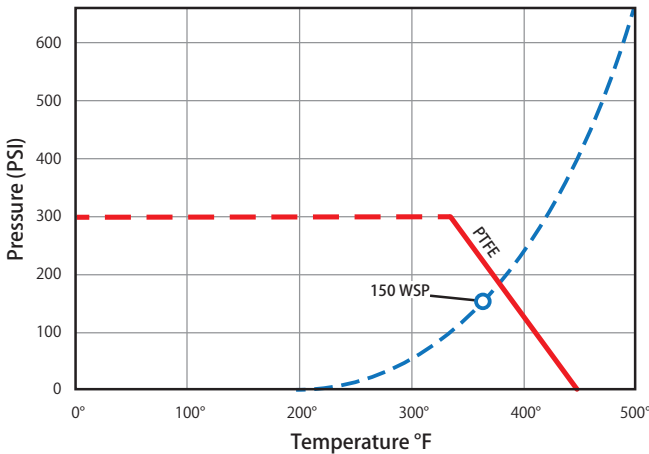
- Constructed of 85-5-5-5 bronze
- Can be installed in the vertical or horizontal position

## Approvals

- MSS SP-80
- ASME/ANSI B16.18

## Valve Seat Rating

300 WOG - 150 WSP



## Material Specifications

No.	Part	Materials
1	Body	Bronze
2	Cap	Bronze
3	Disc	Bronze
4	Seat	PTFE
5	Seat Screw	Brass
6	Seat Nut	Brass
7	Hinge Arm	Bronze
8	Hinge Pin	Brass
9	Hinge Screw	Brass

## Dimensions

Part No.	Size	A	B	C
105-403	1/2"	2.60	1.77	0.50
105-404	3/4"	3.39	1.97	0.75
105-405	1"	4.09	2.28	0.91
105-406	1-1/4"	4.72	2.67	0.97
105-407	1-1/2"	5.39	2.95	1.09
105-408	2"	6.69	3.70	1.34
105-409	2-1/2"	7.64	4.55	1.47
105-410	3"	8.74	5.37	1.66

**Recommended Install:** 5 pipe diameter minimum downstream from pump discharge or changes in direction to avoid flow turbulence. Flow straighteners may be required in extreme cases.

**Note:** On pump discharge, the preferred check valves are: inline spring assisted checks

Jomar Y-pattern Check Valves may be installed in both horizontal and vertical lines with upward flow or in an intermediate position. They will operate satisfactory in a declining plane (no more than 15°).

**WARNING:** This product can expose you to chemicals including lead, which is known to the State of California to cause cancer, and lead, which is known to the State of California to cause birth defects or other reproductive harm. For more information go to [www.P65Warnings.ca.gov](http://www.P65Warnings.ca.gov).

LT-JV-C 082018



# Stainless Steel Swing Check Valve

## Threaded Connection • 200 WOG



**T-550**

### Features

- Manufactured in ISO-9001 facility
- Heavy pattern body
- One-piece body design
- PTFE o-ring seal
- Metal to metal disc seal

### Approvals

- ANSI B1.20.1

### Pressure/Temperature Rating

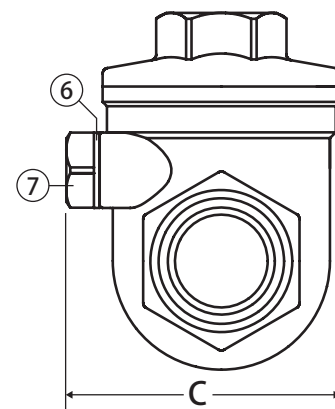
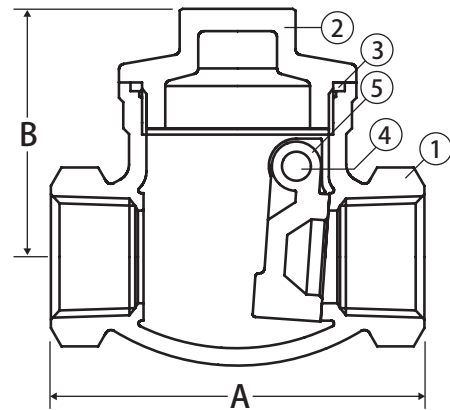
- 200 WOG
- -4° F to 392° F

Install 5 pipe diameter minimum downstream from pump discharge or changes in direction to avoid flow turbulence. Flow straighteners may be required in extreme cases.

Note: On pump discharge, the preferred check valves are: inline, spring assisted, center-guided, lift checks.

Jomar Check Valves may be installed in both horizontal and vertical lines with upward flow or in an intermediate position. They will operate satisfactory in a declining plane (no more than 15°).

**Warning: Do Not Use For Reciprocating Air Compressor Service**



### Material Specifications

No.	Part	Materials
1	Body	ASTM A351-CF8M
2	Cap	ASTM A351-CF8M
3	Seal	PTFE
4	Plug	AISI 316
5	Disc	ASTM A351-CF8M
6	Gasket	PTFE
7	Bolt	AISI 304

### Dimensions

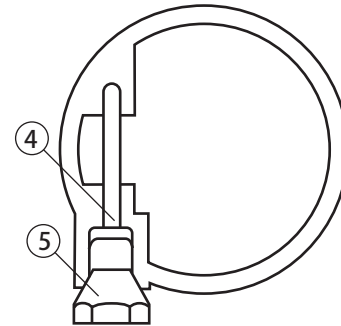
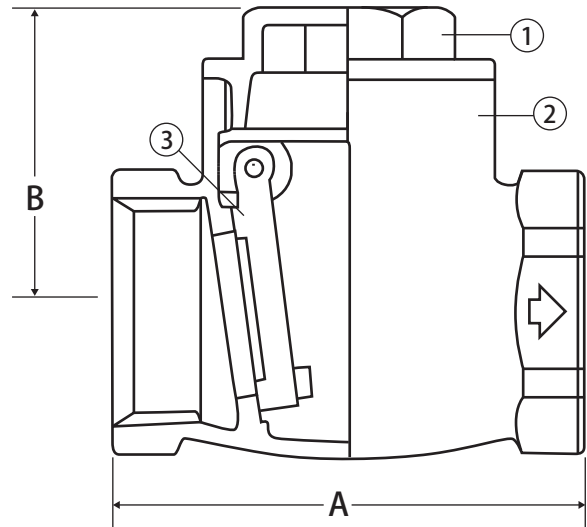
Part No.	Size	A	B	C
105-803	1/2"	2.56	1.73	1.83
105-804	3/4"	3.15	2.05	2.05
105-805	1"	3.50	2.44	2.20
105-806	1-1/4"	4.13	2.64	2.56
105-807	1-1/2"	4.72	3.11	2.95
105-808	2"	5.47	3.15	3.31

# Brass Horizontal Swing Check Valve

## Threaded Connection • 200 WOG • Class 125



**T-501**



### Features

- Residential and commercial applications

### Approvals

- ANSI B1.20.1

### Pressure Rating

- 200 WOG

Install 5 pipe diameter minimum downstream from pump discharge or changes in direction to avoid flow turbulence. Flow straighteners may be required in extreme cases.

Note: On pump discharge, the preferred check valves are: inline, spring assisted, center-guided, lift checks.

Jomar Check Valves may be installed in both horizontal and vertical lines with upward flow or in an intermediate position. They will operate satisfactory in a declining plane (no more than 15°).

**Warning: Do Not Use For Reciprocating Air Compressor Service**



**WARNING:** This product can expose you to chemicals including lead, which is known to the State of California to cause cancer, and lead, which is known to the State of California to cause birth defects or other reproductive harm. For more information go to [www.P65Warnings.ca.gov](http://www.P65Warnings.ca.gov).

### Material Specifications

No.	Part	Materials
1	Cap	Cast Brass
2	Body	Cast Brass
3	Disc	Forged Brass
4	Hinge Pin	Brass
5	Screw	Brass

### Dimensions

Part No.	Size	A	B
105-103	1/2"	2.13	1.54
105-104	3/4"	2.33	1.62
105-105	1"	2.72	1.77
105-106	1-1/4"	3.11	2.01
105-107	1-1/2"	3.51	2.25
105-108	2"	4.30	2.68
105-109	2-1/2"	5.32	3.35
105-110	3"	6.30	3.86
105-111	4"	7.49	4.53

LT-JV-C 082018

# Brass Horizontal Swing Check Valve



Solder Connection • 200 WOG • Class 125



S-501

### Features

- Residential and commercial applications

### Approvals

- ASME/ANSI B16.18

### Pressure Rating

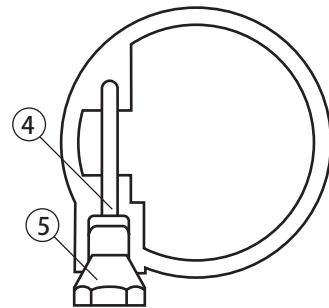
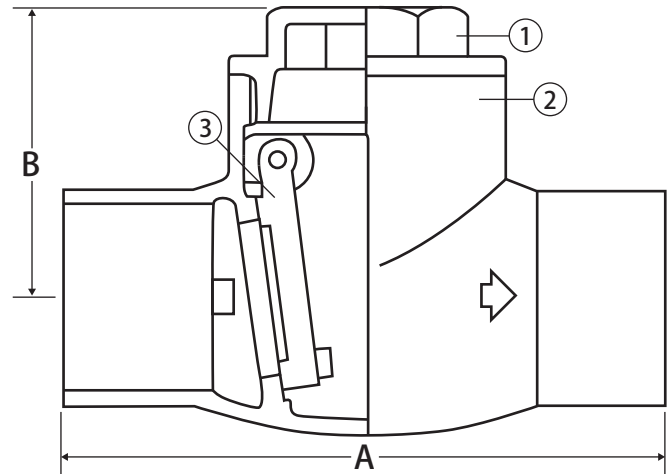
- 200 WOG

**Recommended Install:** 5 pipe diameter minimum downstream from pump discharge or changes in direction to avoid flow turbulence. Flow straighteners may be required in extreme cases.

**Note:** On pump discharge, the preferred check valves are: inline, spring assisted, center-guided, and inline checks.



**WARNING:** This product can expose you to chemicals including lead, which is known to the State of California to cause cancer, and lead, which is known to the State of California to cause birth defects or other reproductive harm. For more information go to [www.P65Warnings.ca.gov](http://www.P65Warnings.ca.gov).



### Material Specifications

No.	Part	Materials
1	Cap	Cast Brass
2	Body	Cast Brass
3	Disc	Forged Brass
4	Hinge Pin	Brass
5	Screw	Brass

### Dimensions

Part No.	Size	A	B
105-203	1/2"	2.52	1.54
105-204	3/4"	1.54	1.62
105-205	1"	3.90	1.77
105-206	1-1/4"	4.37	2.01
105-207	1-1/2"	4.96	2.25
105-208	2"	5.99	2.68

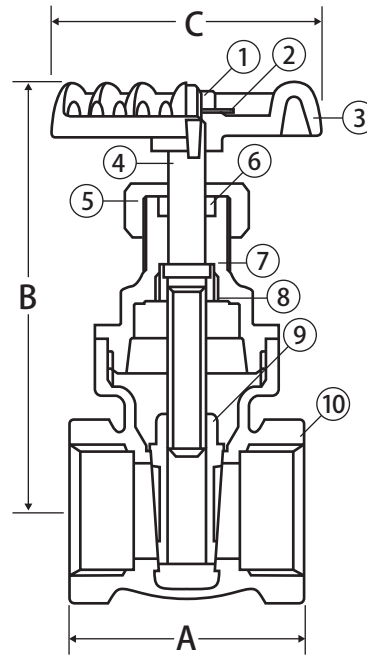
# Brass Gate Valve



## Non-rising Stem • Threaded Connection • 200 WOG



T-301



### Features

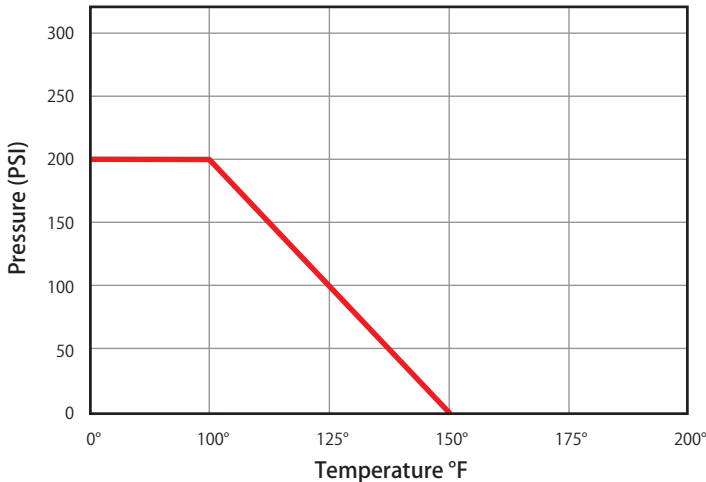
- Manufactured in ISO-9001 facility
- Solid wedge gate

### Approvals

- ANSI B1.20.1

### Pressure Rating

200 WOG



**WARNING:** This product can expose you to chemicals including lead, which is known to the State of California to cause cancer, and lead, which is known to the State of California to cause birth defects or other reproductive harm. For more information go to [www.P65Warnings.ca.gov](http://www.P65Warnings.ca.gov).

### Material Specifications

No.	Part	Materials
1	Handle Nut	Steel
2	Name Plate	Aluminum
3	Hand Wheel	Cast Iron
4	Stem	Brass
5	Packing Nut	Brass
6	Gland Packing	Buna-N
7	Bonnet	Cast Brass
8	Lock Nut	Brass
9	Disc	Cast Brass
10	Body	Cast Brass

### Dimensions

Part No.	Size	A	B	C
103-301	1/4"	1.65	2.75	2.09
103-302	3/8"	1.62	2.76	2.13
103-303	1/2"	1.69	2.84	2.13
103-304	3/4"	1.85	3.31	2.13
103-305	1"	2.17	3.94	2.52
103-306	1-1/4"	2.40	4.57	2.75
103-307	1-1/2"	2.52	4.84	3.07
103-308	2"	2.83	5.90	3.54
103-309	2-1/2"	3.51	7.33	4.14
103-310	3"	3.98	8.75	5.12
103-311	4"	4.57	10.17	6.78

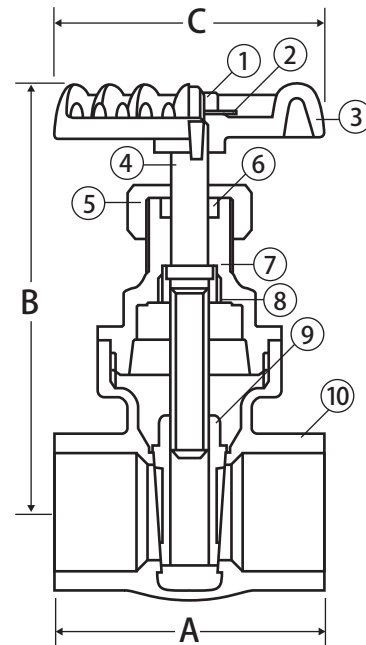
LIT-JV-C 082018

# Brass Gate Valve

Non-rising Stem • Solder Connection • 200 WOG



S-301



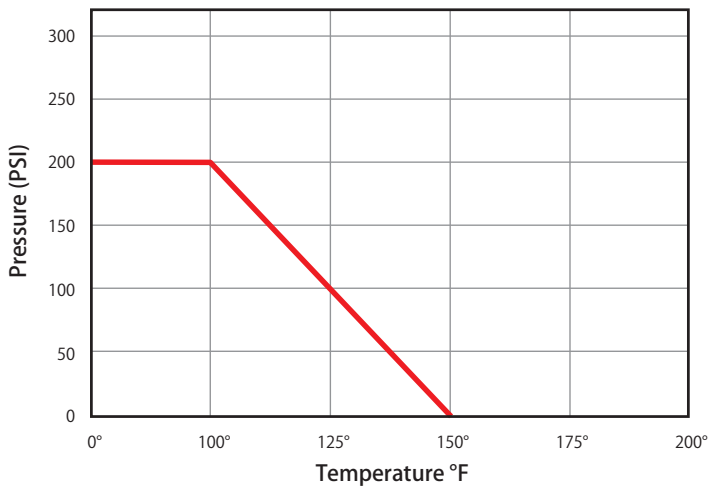
### Features

- Manufactured in ISO-9001 facility
- Solid wedge gate

### Approvals

- ANSI B16.18

### Pressure Rating 200 WOG



### Material Specifications

No.	Part	Materials
1	Handle Nut	Steel
2	Name Plate	Aluminum
3	Hand Wheel	Cast Iron
4	Stem	Brass
5	Packing Nut	Brass
6	Gland Packing	Buna-N
7	Bonnet	Cast Brass
8	Lock Nut	Brass
9	Disc	Cast Brass
10	Body	Cast Brass

### Dimensions

Part No.	Size	A	B	C
103-403	1/2"	1.77	2.84	2.13
103-404	3/4"	2.32	3.31	2.13
103-405	1"	2.76	3.86	2.40
103-406	1-1/4"	2.88	4.57	3.03
103-407	1-1/2"	3.19	4.93	3.03
103-408	2"	3.90	6.03	3.27
103-409	2-1/2"	4.61	7.33	4.14
103-410	3"	5.20	8.75	5.12



**WARNING:** This product can expose you to chemicals including lead, which is known to the State of California to cause cancer, and lead, which is known to the State of California to cause birth defects or other reproductive harm. For more information go to [www.P65Warnings.ca.gov](http://www.P65Warnings.ca.gov).

# Brass Boiler Drain



## Threaded Male Connection • 125 WOG



T-621

### Features

- Manufactured in ISO-9001 facility
- 3/4" hose thread outlet

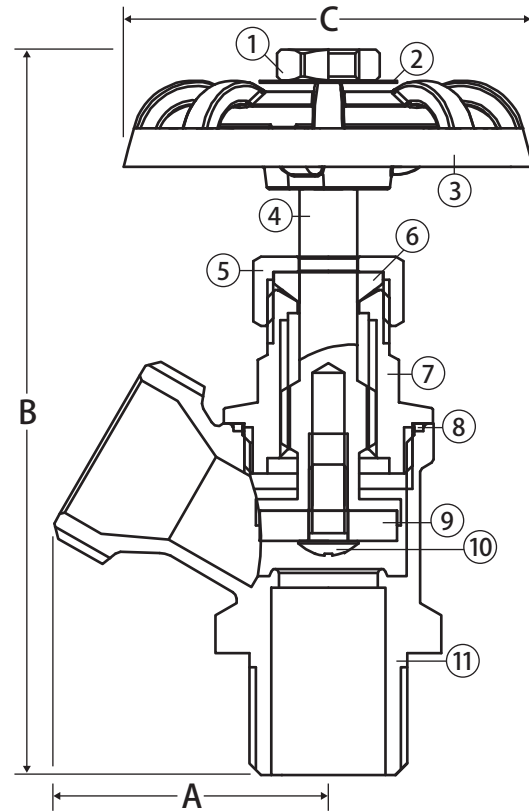
### Approvals

- ANSI B1.20.1
- ANSI B1.20.7

### Pressure Rating

- 125 WOG

**WARNING:** This product can expose you to chemicals including lead, which is known to the State of California to cause cancer, and lead, which is known to the State of California to cause birth defects or other reproductive harm. For more information go to [www.P65Warnings.ca.gov](http://www.P65Warnings.ca.gov).



### Material Specifications

No.	Part	Materials
1	Handle Nut	SS304 Stainless Steel
2	Name Plate	Aluminum
3	Hand Wheel	Cast Iron
4	Stem	Brass - C46500
5	Packing Nut	Brass - C37700
6	Gland Packing	PTFE
7	Bonnet	Cast Brass - C46500
8	Gasket	PTFE
9	Seat Packing	EPDM
10	Seat Screw	SS304 Stainless Steel
11	Body	Brass - C46500

### Dimensions

Part No.	Size	A	B	C
201-003	1/2"	1.58	3.59	2.13
201-004	3/4"	1.58	3.70	2.13

LT-JV-C 082018

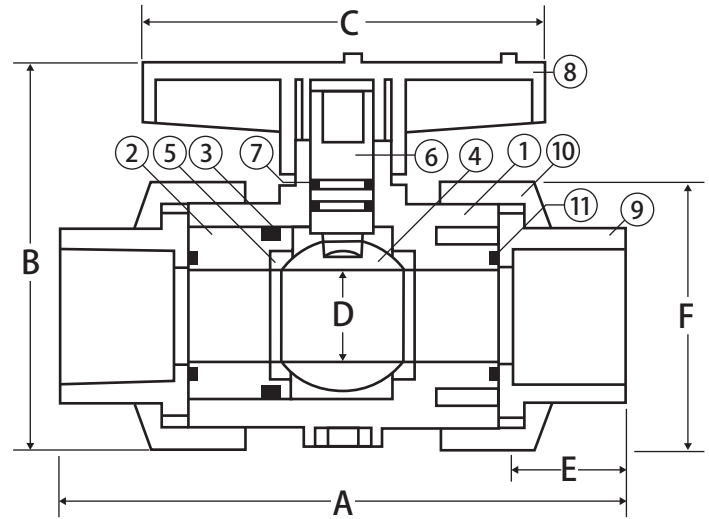
# Thermoplastic Valve

Tru-Union PVC • Schedule 80 • Threaded and Solvent Connections

• 150 WOG



T/S-703



## Features

- NPS connections
- Easy installation with hand-tightened union nuts
- Easy line breakdowns without installing additional unions
- Full port design minimum flow restrictions
- Manufactured/assembled without hydrocarbon lubricants
- Mounting pads for electric or pneumatic actuation
- Includes threaded and socket ends
- Wetted surfaces contain less than .25% lead content

## Approvals

- ANSI B1.20.1
- ASTM F1970

## Pressure Rating

- Max service temperature 140°F, 150 PSI @ 73°F continuous
- Min temperature 41°F

**WARNING:** This product can expose you to chemicals including Di-isodecyl Phthalate(DIDP), which is known to the State of California to cause birth defects or other reproductive harm. For more information go to [www.P65Warnings.ca.gov](http://www.P65Warnings.ca.gov).

## Material Specifications

No.	Part	Materials
1	Body	UPVC
2	Body Insert	UPVC
3	Body O-ring	Viton®
4	Ball	UPVC
5	Seat (2)	PTFE
6	Stem	UPVC
7	Stem O-ring (2)	Viton®
8	Handle	ABS Plastic
9	Tail Piece (2)	UPVC
10	Union Nut (2)	UPVC
11	Union O-ring (2)	Viton®

## Dimensions

Part No.	Size	A	B	C	D	E	F
210-543	1/2"	4.49	2.77	3.07	0.51	0.87	1.83
210-544	3/4"	5.31	3.33	3.62	0.71	1.00	2.17
210-545	1"	5.87	3.90	3.94	0.91	1.13	2.60
210-546	1-1/4"	6.61	4.53	4.33	1.18	1.25	3.23
210-547	1-1/2"	6.89	5.35	4.76	1.50	1.38	3.86
210-548	2"	8.19	6.54	5.79	1.89	1.50	4.72
210-549	2-1/2"	10.83	7.32	7.09	2.40	1.75	5.51
210-550	3"	11.97	8.33	8.82	2.72	1.88	6.42
210-551	4"	13.07	11.44	10.94	3.90	2.25	8.86

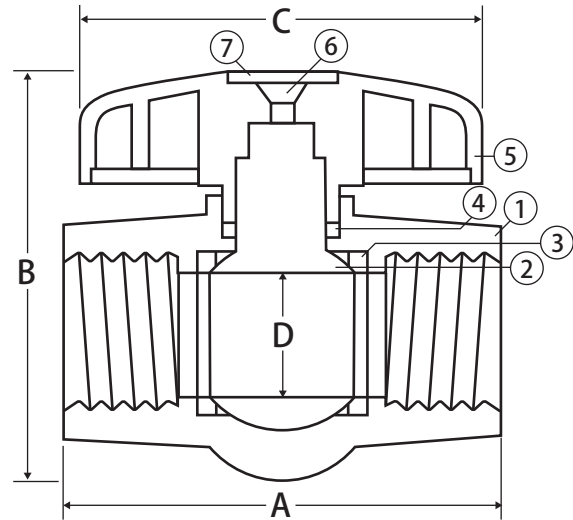
# Thermoplastic Valve



PVC • Schedule 80 • Threaded Connection • 150 WOG



T-701



## Features

- NPS connections
- Each valve tested in open and closed position
- Minimal pressure drop/turbulence
- Large ports for greater flow
- Corrosion resistant PVC material
- Wetted surfaces contain less than .25% lead content

## Approvals

- NSF 61-8 Certified
- NSF 61 - Annex G
- NSF 372
- NSF/ANSI 14 (1/2" - 2")
- ANSI B1.20.1
- ASTM F1970

## Pressure Rating

- Max service temperature 140°F, 150 PSI @ 73°F continuous
- Min temperature 41°F



**WARNING:** This product can expose you to chemicals including Di-isodecyl Phthalate(DIDP), which is known to the State of California to cause birth defects or other reproductive harm. For more information go to [www.P65Warnings.ca.gov](http://www.P65Warnings.ca.gov).

## Material Specifications

No.	Part	Materials
1	Body	UPVC
2	Ball / Stem	UPVC
3	Seat (2)	EPDM
4	O-ring	EPDM
5	Handle	ABS Plastic
6	Bolt	Steel - Zinc Plated
7	Cap	ABS Plastic

## Dimensions

Part No.	Size	A	B	C	D
210-203	1/2"	3.27	2.52	2.76	0.55
210-204	3/4"	3.74	3.11	3.46	0.79
210-205	1"	4.17	3.74	3.94	0.98
210-206	1-1/4"	4.49	3.90	3.94	1.18
210-207	1-1/2"	5.12	4.53	4.29	1.42
210-208	2"	5.79	5.31	5.28	1.83
210-209	2-1/2"	8.03	6.30	7.01	2.28
210-210	3"	9.02	7.48	8.82	3.03
210-211	4"	11.81	9.17	10.87	3.86

LT-JV-C 082018

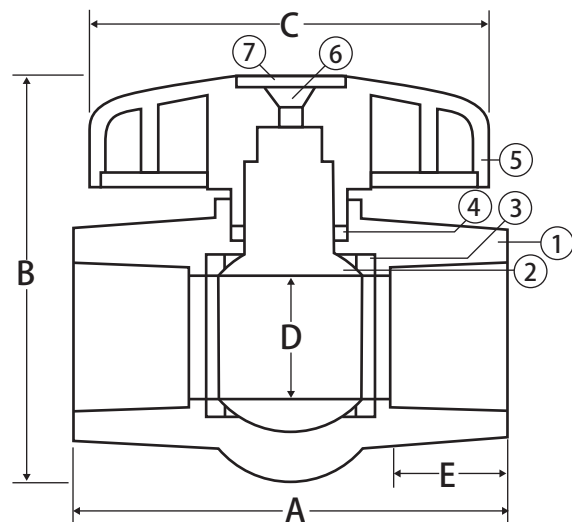


# Thermoplastic Valve

PVC • Schedule 80 • Solvent Connection • 150 WOG



S-701



### Features

- NPS connections
- Each valve tested in open and closed position
- Minimal pressure drop/turbulence
- Large ports for greater flow
- Corrosion resistant PVC material
- Wetted surfaces contain less than .25% lead content

### Approvals

- NSF 61-8 Certified
- NSF 61 - Annex G
- NSF 372
- NSF/ANSI 14 (1/2" - 2")
- ASTM F1970

### Pressure Rating

- Max service temperature 140°F, 150 PSI @ 73°F continuous
- Min temperature 41°F

**WARNING:** This product can expose you to chemicals including Di-isodecyl Phthalate(DIDP), which is known to the State of California to cause birth defects or other reproductive harm. For more information go to [www.P65Warnings.ca.gov](http://www.P65Warnings.ca.gov).

### Material Specifications

No.	Part	Materials
1	Body	UPVC
2	Ball / Stem	UPVC
3	Seat (2)	EPDM
4	O-ring	EPDM
5	Handle	ABS Plastic
6	Bolt	Steel - Zinc Plated
7	Cap	ABS Plastic

### Dimensions

Part No.	Size	A	B	C	D	E
210-223	1/2"	3.27	2.52	2.76	0.55	0.87
210-224	3/4"	3.74	3.11	3.46	0.79	1.00
210-225	1"	4.17	3.74	3.94	0.98	1.12
210-226	1-1/4"	4.49	3.90	3.94	1.18	1.25
210-227	1-1/2"	5.12	4.53	4.29	1.42	1.38
210-228	2"	5.79	5.31	5.28	1.83	1.50
210-229	2-1/2"	8.03	6.30	7.01	2.28	1.75
210-230	3"	9.02	7.48	8.82	3.03	1.88
210-231	4"	11.81	9.17	10.87	3.86	2.25

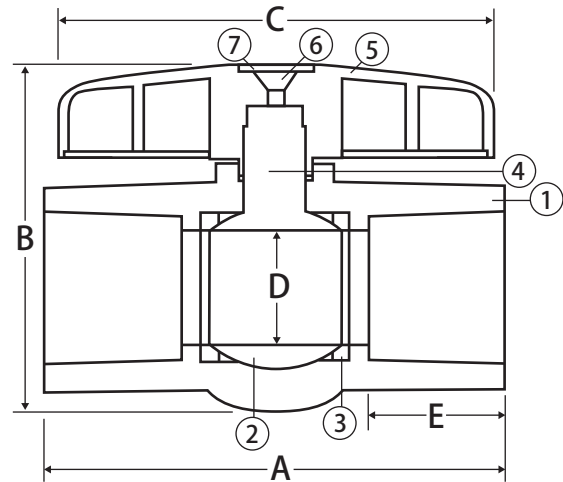
# Thermoplastic Valve



CPVC • Copper Tube Size • Solvent Connection • 150 WOG



S-605



## Features

- CTS connections
- For hot/cold water systems
- Quarter-turn operation
- Large port
- Easy installation
- Wetted surfaces contain less than .25% lead content
- Bone color

## Approvals

- NSF 61-8 Certified
- NSF 61 - Annex G
- NSF 372
- IAPMO PS 112-99
- ASTM F1970

## Pressure Rating

- Max service temperature 180°F, 150 PSI @ 73°F continuous
- Min temperature 32°F

## Material Specifications

No.	Part	Materials
1	Body	CPVC
2	Ball / Stem	CPVC
3	Seat (2)	PTFE
4	O-ring	EPDM
5	Handle	ABS Plastic
6	Bolt	Steel - Zinc Plated
7	Cap	ABS Plastic

## Dimensions

Part No.	Size	A	B	C	D	E
210-603	1/2"	2.68	1.93	2.36	0.49	0.75
210-604	3/4"	3.23	2.52	2.76	0.72	0.87
210-605	1"	3.74	3.11	3.46	0.93	1.00
210-606	1-1/4"	4.17	3.66	3.94	0.98	1.11
210-607	1-1/2"	4.49	3.86	3.94	1.18	1.26
210-608	2"	5.69	4.53	4.29	1.42	1.69



**WARNING:** This product can expose you to chemicals including Di-isodecyl Phthalate(DIDP), which is known to the State of California to cause birth defects or other reproductive harm. For more information go to [www.P65Warnings.ca.gov](http://www.P65Warnings.ca.gov).

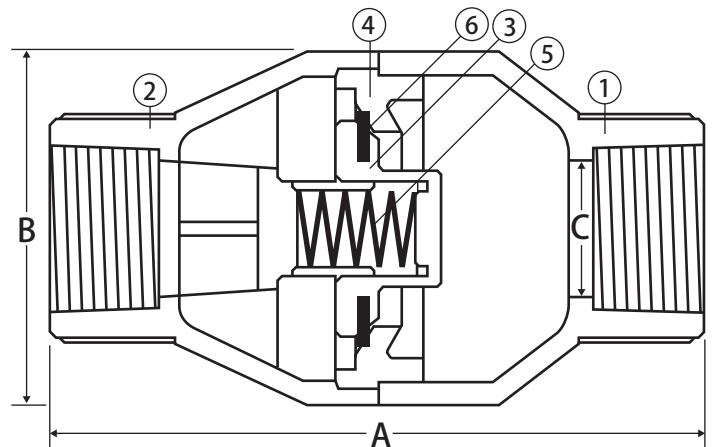
LT-JV-C 082018

# Thermoplastic Check Valve

**PVC • In-Line Check • Schedule 40 • Threaded Connection • 150 WOG**



**T-711**



### Features

- NPS connections
- Installs horizontally or vertically
- Stainless steel spring-loaded PVC poppet
- Cracking pressure at .5 PSI
- Wetted surfaces contain less than .25% lead content

### Approvals

- ANSI B1.20.1
- ASTM F1970

### Pressure Rating

- Max service temperature 140°F, 150 PSI @ 73°F continuous
- Min temperature 41°F

**WARNING:** This product can expose you to chemicals including Di-isodecyl Phthalate(DIDP), which is known to the State of California to cause birth defects or other reproductive harm. For more information go to [www.P65Warnings.ca.gov](http://www.P65Warnings.ca.gov).

### Material Specifications

No.	Part	Materials
1	Body	UPVC
2	End Connection	UPVC
3	Check	UPVC
4	Seat	UPVC
5	Spring	304 Stainless Steel
6	Seal	EPDM

### Dimensions

Part No.	Size	A	B	C
210-303	1/2"	4.17	2.20	0.67
210-304	3/4"	4.13	2.20	0.83
210-305	1"	5.24	2.87	1.10
210-306	1-1/4"	6.18	3.58	1.38
210-307	1-1/2"	6.18	3.58	1.54
210-308	2"	7.01	4.21	2.05

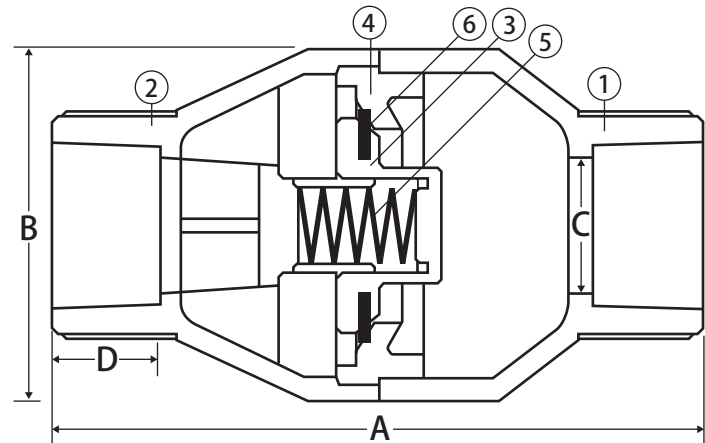
# Thermoplastic Check Valve



**PVC • In-Line Check • Schedule 40 • Solvent Connection •  
150 WOG**



**S-711**



## Features

- **NPS connections**
- Installs horizontally or vertically
- Stainless steel spring-loaded PVC poppet
- Spring activates at .5 PSI
- Wetted surfaces contain less than .25% lead content

## Approvals

ASTM F1970

## Pressure Rating

- Max service temperature 140°F, 150 PSI @ 73°F continuous



**WARNING:** This product can expose you to chemicals including Di-isodecyl Phthalate(DIDP), which is known to the State of California to cause birth defects or other reproductive harm. For more information go to [www.P65Warnings.ca.gov](http://www.P65Warnings.ca.gov).

## Material Specifications

No.	Part	Materials
1	Body	UPVC
2	End Connection	UPVC
3	Check	UPVC
4	Seat	UPVC
5	Spring	304 Stainless Steel
6	Seal	EPDM

## Dimensions

Part No.	Size	A	B	C	D
210-323	1/2"	4.17	2.20	0.67	0.87
210-324	3/4"	4.13	2.20	0.83	1.00
210-325	1"	5.24	2.87	1.10	1.13
210-326	1-1/4"	6.18	3.58	1.38	1.25
210-327	1-1/2"	6.18	3.58	1.54	1.38
210-328	2"	7.01	4.21	2.05	1.50

LT-JV-C 082018

# Thermoplastic Union

PVC Union • Schedule 80 • Solvent Connection • 150 WOG



S-700

### Features

- NPS connections
- Wetted surfaces contain less than .25% lead content

### Approvals

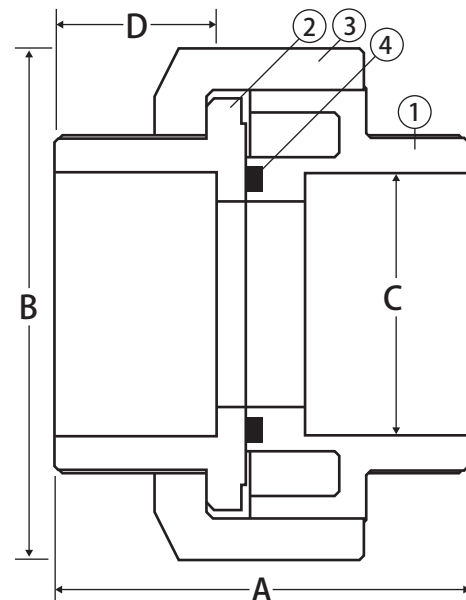
- NSF 61-8 Certified
- NSF 61 - Annex G
- NSF 372
- ASTM F1970

### Pressure Rating

- Max service temperature 140°F, 150 PSI @ 73°F continuous
- Min temperature 41°F



**WARNING:** This product can expose you to chemicals including Di-isodecyl Phthalate(DIDP), which is known to the State of California to cause birth defects or other reproductive harm. For more information go to [www.P65Warnings.ca.gov](http://www.P65Warnings.ca.gov).



### Material Specifications

No.	Part	Materials
1	Body	UPVC
2	Tail Piece	UPVC
3	Union Nut	UPVC
4	O-ring	EPDM

### Dimensions

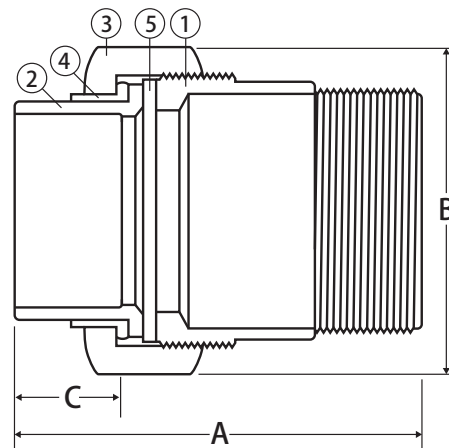
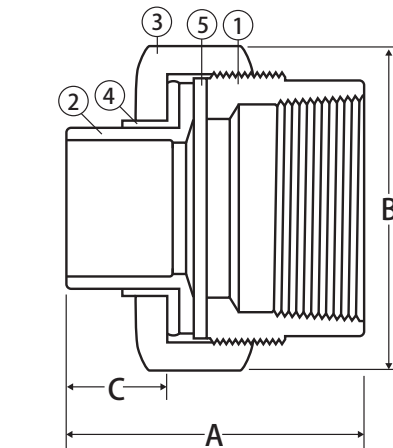
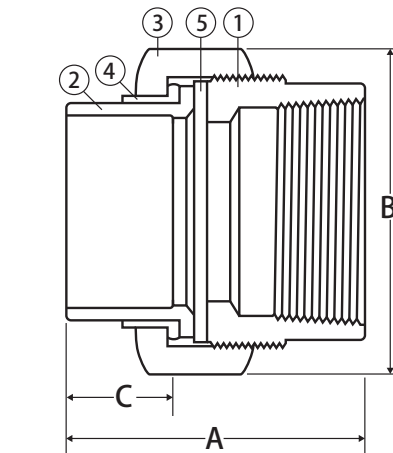
Part No.	Size	A	B	C	D
210-403	1/2"	2.17	1.81	0.53	0.87
210-404	3/4"	2.48	2.17	0.65	1.00
210-405	1"	2.80	2.60	0.87	1.13
210-406	1-1/4"	3.41	3.23	1.17	1.25
210-407	1-1/2"	3.50	3.86	1.50	1.38
210-408	2"	3.80	4.70	1.89	1.50
210-409	2-1/2"	4.45	5.51	2.48	1.75
210-410	3"	4.96	6.42	2.95	1.88
210-411*	4"	6.38	8.86	3.94	2.25

\* Special order

# Dielectric Union



## Brass Solder x Galvanized • 250 PSI



### Features

- Prevents accelerated corrosion
- -20°F to 180°F - Buna Seats

### Approvals

- Meets ANSI B16.39
- ANSI B1.20.1
- Solder end ANSI B16.18

### Pressure Rating

- 250 PSI

### Dimensions

Part No.	Size	A	B	C
<b>Solder x FIP</b>				
701-103	1/2" SWT x 1/2" FIP	1.87	1.61	0.65
701-104	3/4" SWT x 3/4" FIP	2.11	1.83	0.79
701-105	1" SWT x 1" FIP	2.34	2.15	0.86
701-106	1-1/4" SWT x 1-1/4" FIP	2.50	2.59	0.94
701-107	1-1/2" SWT x 1-1/2" FIP	2.79	2.95	1.11
701-108	2" SWT x 2" FIP	3.09	3.75	1.32
<b>Reducing Solder x FIP</b>				
701-204	1/2" SWT x 3/4" FIP	1.95	1.83	0.65
701-205	3/4" SWT x 1" FIP	2.10	2.15	0.68
<b>Solder x MIP</b>				
701-303	1/2" SWT x 1/2" MIP	2.85	1.61	0.65
701-304	3/4" SWT x 3/4" MIP	3.01	1.83	0.79
701-305	3/4" SWT x 1/2" MIP	2.62	1.83	0.65
701-306	1" SWT x 1" MIP	3.18	2.15	0.86

**WARNING:** This product can expose you to chemicals including lead, which is known to the State of California to cause cancer, and lead, which is known to the State of California to cause birth defects or other reproductive harm. For more information go to [www.P65Warnings.ca.gov](http://www.P65Warnings.ca.gov).

### Material Specifications

No.	Part	Materials
1	Body	Steel - Zinc Plated
2	Tail Piece	Brass
3	Union Nut	Steel - Zinc Plated
4	Dielectric Ring	Nylon 66
5	Gasket*	Buna-N

\*Teflon available if specified

LT-JV-C 082018

# Dielectric Union

## Black Iron FIP x FIP • 250 PSI



**Black Iron FIP x FIP**

### Features

- Prevents accelerated corrosion
- For use on black pipe
- -20°F to 180°F - Buna seats

### Approvals

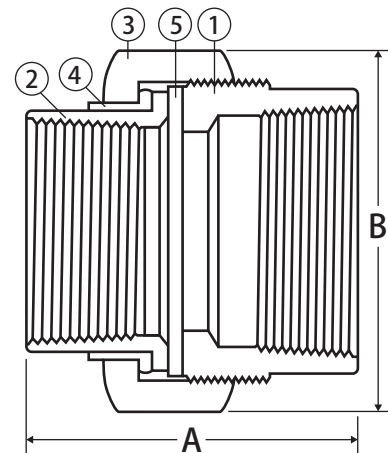
- Meets ANSI B16.39
- ANSI B1.20.1

### Pressure Rating

- 250 PSI



**WARNING:** This product can expose you to chemicals including lead, which is known to the State of California to cause cancer, and lead, which is known to the State of California to cause birth defects or other reproductive harm. For more information go to [www.P65Warnings.ca.gov](http://www.P65Warnings.ca.gov).



### Material Specifications

No.	Part	Materials
1	Body	Steel - Black Finish
2	Tail Piece	Steel - Black Finish
3	Union Nut	Steel - Black Finish
4	Dielectric Ring	Nylon 66
5	Gasket*	Buna-N

\*Teflon available if specified

### Dimensions

Part No.	Size	A	B
701-403	1/2" FIP x 1/2" FIP	2.14	1.61
701-404	3/4" FIP x 3/4" FIP	2.21	1.83
701-405	1" FIP x 1" FIP	2.54	2.58
701-406	1-1/4" FIP x 1-1/4" FIP	2.73	2.96
701-407	1-1/2" FIP x 1-1/2" FIP	2.73	3.75
701-408	2" FIP x 2" FIP	3.12	4.30

# Dielectric Union

## Galvanized FIP x FIP • 250 PSI



**Galvanized FIP x FIP**

### Features

- Prevents accelerated corrosion
- -20°F to 180°F - Buna seats

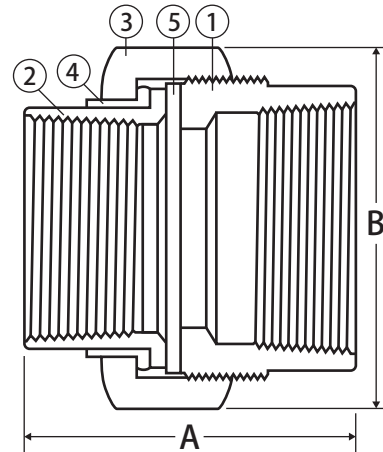
### Approvals

- Meets ANSI B16.39
- ANSI B1.20.1

### Pressure Rating

- 250 PSI

**WARNING:** This product can expose you to chemicals including lead, which is known to the State of California to cause cancer, and lead, which is known to the State of California to cause birth defects or other reproductive harm. For more information go to [www.P65Warnings.ca.gov](http://www.P65Warnings.ca.gov).



### Material Specifications

No.	Part	Materials
1	Body	Steel - Zinc Plated
2	Tail Piece	Steel - Zinc Plated
3	Union Nut	Steel - Zinc Plated
4	Dielectric Ring	Nylon 66
5	Gasket*	Buna-N

\*Teflon available if specified

### Dimensions

Part No.	Size	A	B
701-413	1/2" FIP x 1/2" FIP	2.14	1.61
701-414	3/4" FIP x 3/4" FIP	2.21	1.83
701-415	1" FIP x 1" FIP	2.54	2.58
701-416	1-1/4" FIP x 1-1/4" FIP	2.73	2.96
701-417	1-1/2" FIP x 1-1/2" FIP	2.73	3.75
701-418	2" FIP x 2" FIP	3.12	4.30

LIT-JV-C 082018



# Dielectric Union

## Brass FIP x Galvanized FIP • 250 PSI



**Brass FIP x Galvanized FIP**

### Features

- Prevents accelerated corrosion
- -20°F to 180°F - Buna seats

### Approvals

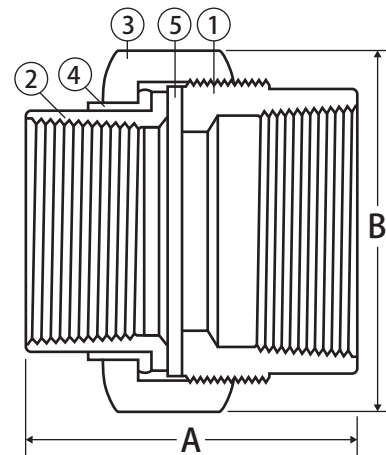
- Meets ANSI B16.39
- ANSI B1.20.1

### Pressure Rating

- 250 PSI



**WARNING:** This product can expose you to chemicals including lead, which is known to the State of California to cause cancer, and lead, which is known to the State of California to cause birth defects or other reproductive harm. For more information go to [www.P65Warnings.ca.gov](http://www.P65Warnings.ca.gov).



### Material Specifications

No.	Part	Materials
1	Body	Steel - Zinc Plated
2	Tail Piece	Brass
3	Union Nut	Steel - Zinc Plated
4	Dielectric Ring	Nylon 66
5	Gasket*	Buna-N

\*Teflon available if specified

### Dimensions

Part No.	Size	A	B
701-503	1/2" FIP x 1/2" FIP	2.14	1.61
701-504	3/4" FIP x 3/4" FIP	2.21	1.83
701-505	1" FIP x 1" FIP	2.54	2.58

# Snap-N-Loc<sup>®</sup> Basket Strainer

## 300 Grade Stainless or Brushed Stainless Steel Sink Strainer



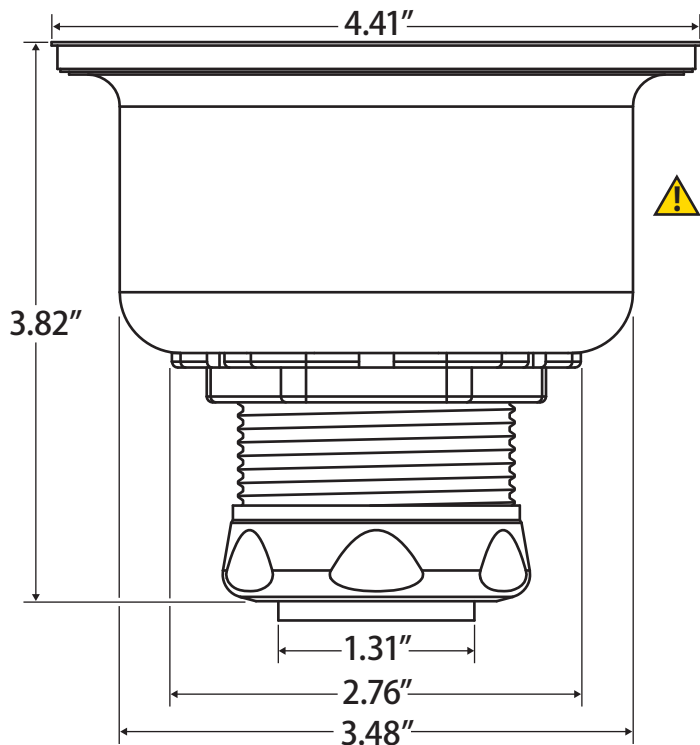
SS-306



Clamshell  
Package

As one of Jomar's more popular basket strainers, the Snap-N-Loc<sup>®</sup> is known for its original spring-loaded ball bearing post design that snaps perfectly into place, creating a positive leak-proof seal every time. This popular strainer is constructed with a high quality stainless steel deep-cup body, ball bearing, and basket, and comes standard with a brass tail nut. With a sleek design and proven track record, it has become such a favorite among installers that it is offered in brushed or polished stainless steel finish.

**Fits sinks which have a thickness between 1/16" and 3/4"**



**WARNING:** This product can expose you to chemicals including lead, which is known to the State of California to cause cancer, and lead, which is known to the State of California to cause birth defects or other reproductive harm. For more information go to [www.P65Warnings.ca.gov](http://www.P65Warnings.ca.gov).



No.	Materials		
	300-006	300-008	300-017CLAM*
1	Handle Chrome Plated Brass		
2	Strainer Basket SS304		Brushed SS304
3	Body Polished SS304		Brushed SS304
4	Rubber Washer BUNA-N		
5	Cup Galvanized Steel		
6	Lock Nut Zinc	Brass	
7	Seal Ring Polyethylene		
8	Tail Nut Brass		

\*Sold in a clamshell package shown above  
Note: All models include friction ring

LT-JV-C 082018

# Twist-N-Loc® Basket Strainer

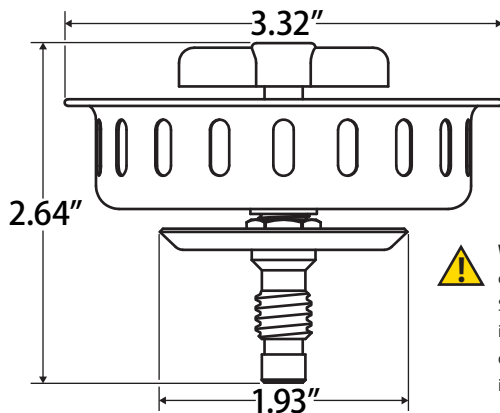
## Chrome Plated Brass or 300 Grade Brushed Stainless Steel Sink Strainer



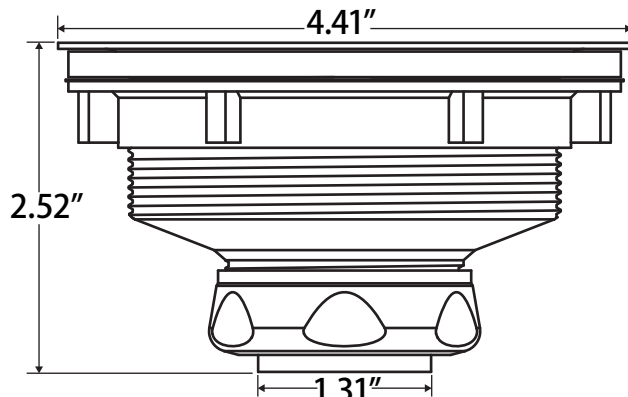
**SS-304**

Manufactured with the highest quality materials, the Twist-N-Loc® creates a positive metal-to-metal leak-proof seal with a simple twist. The Twist-N-Loc® starts with a high quality brass body, hand knob, and post. Every Twist-N-Loc® comes standard with a high quality stainless steel basket and a brass tail nut. To satisfy every application need, this contractor favorite is offered in chrome plated brass or brushed stainless steel finishes.

**Fits sinks which have a thickness between 1/16" and 3/4"**



**WARNING:** This product can expose you to chemicals including lead, which is known to the State of California to cause cancer, and lead, which is known to the State of California to cause birth defects or other reproductive harm. For more information go to [www.P65Warnings.ca.gov](http://www.P65Warnings.ca.gov).



No.		Materials		
		300-001	300-003	300-023CLAM*
1	Handle	Chrome Plated Zinc		
2	Strainer Basket	SS304	Brushed SS304	
3	Body	Chrome Plated Brass	Brushed SS304	
4	Rubber Washer	BUNA-N		
5	Lock Nut	Zinc	Brass	
6	Seal Ring	Polyethylene		
7	Tail Nut	Brass		

\*Sold in a clamshell package shown above  
Note: All models include friction ring

# Easy-Loc<sup>®</sup> Basket Strainer

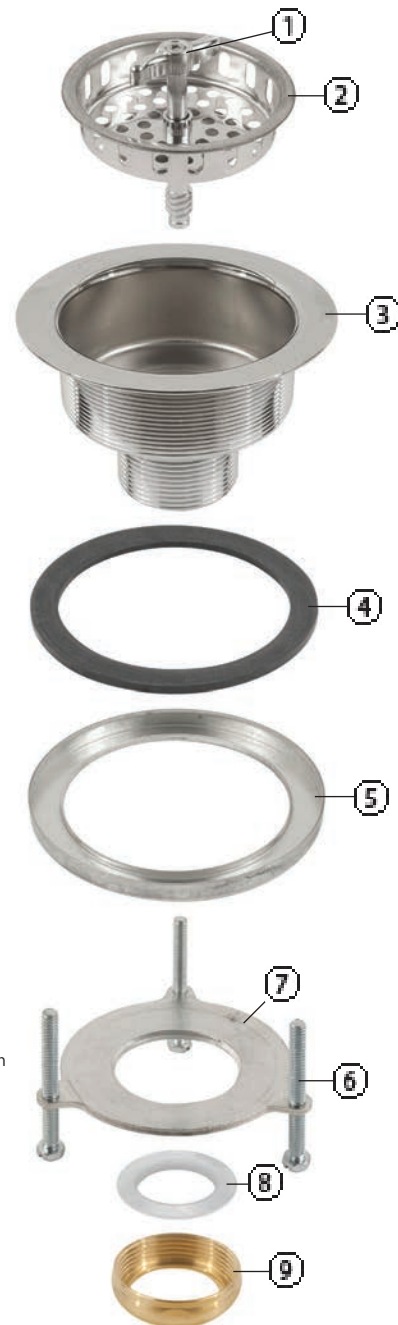
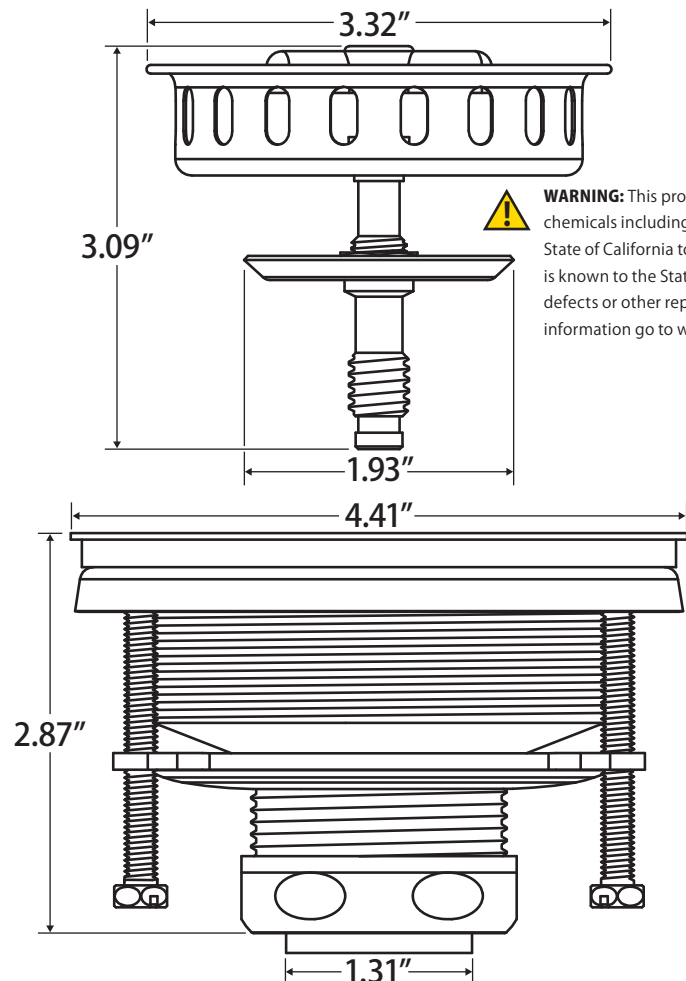
## Chrome Plated Brass Sink Strainer



**SS-305**

If you prefer all that the Twist-N-Loc<sup>®</sup> has to offer then the Easy Loc<sup>®</sup> may also be a great fit for you. This strainer affords you all the benefits of the Twist-N-Loc<sup>®</sup> but also incorporates a labor-saving easy mounting device. You simply use a screw driver to tighten three securing bolts for easy installation.

**Fits sinks which have a thickness between 1/16" and 1"**



No.	Materials
<b>300-004</b>	
1 Handle	Chrome Plated Zinc
2 Strainer Basket	SS304
3 Body	Chrome Plated Brass
4 Rubber Washer	BUNA-N
5 Locking Ring	Galvanized Iron
6 Bolts	Galvanized Iron
7 Triangle Nut	Galvanized Iron
8 Seal Ring	Polyethylene
9 Tail Nut	Brass

Note: Includes friction ring

# Smart Move™ Basket Strainer

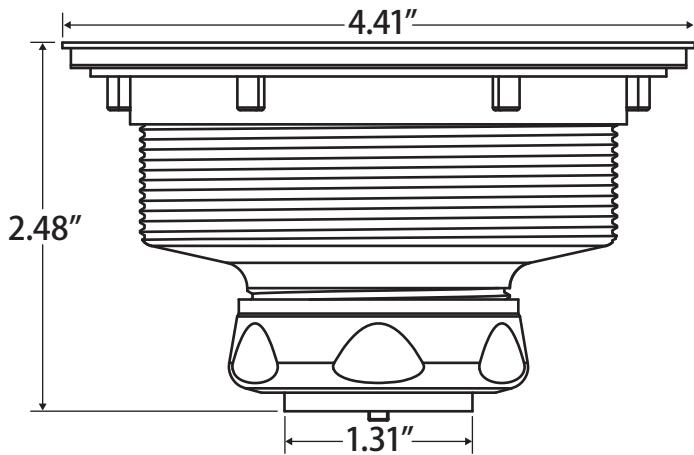
## Chrome Plated Brass Sink Strainer



**SS-410**

With a unique post design, the Smart Move™ can easily switch from straining to a positive leak-proof seal with just a quarter-turn. Quality begins with a chrome plated brass body, hand knob, and post. In addition, we use a brass tail nut, an extra-large lock nut and a stainless steel basket. This versatile strainer is definitely a smart move.

**Fits sinks which have a thickness between 1/16" and 7/8"**



**WARNING:** This product can expose you to chemicals including lead, which is known to the State of California to cause cancer, and lead, which is known to the State of California to cause birth defects or other reproductive harm. For more information go to [www.P65Warnings.ca.gov](http://www.P65Warnings.ca.gov).

No.	Materials
	<b>300-009</b>
1	Handle Chrome Plated Zinc
2	Strainer Basket SS430
3	Body Chrome Plated Brass
4	Rubber Washer BUNA-N
5	Lock Nut Zinc
6	Seal Ring Polyethlyene
7	Tail Nut Brass

Note: Includes friction ring

# Mag-Na-Loc™ Basket Strainer

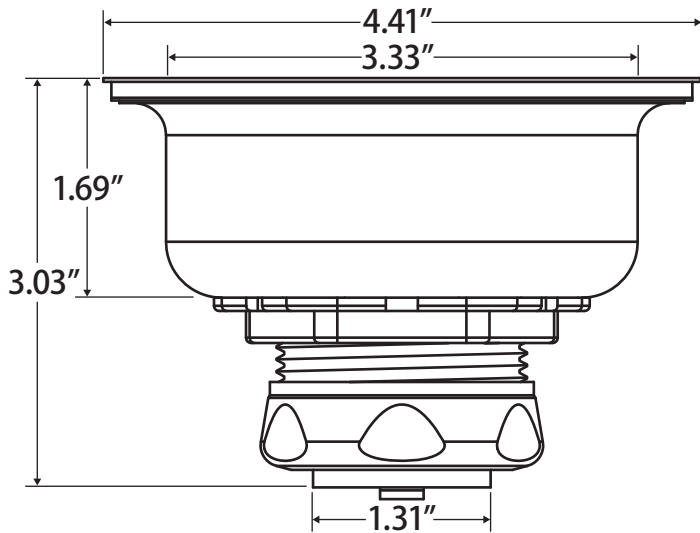
## 300 Grade Stainless Steel Sink Strainer



**SS-420**

The Mag-Na-Loc™ provides an innovative user-friendly design with a magnet inside the rubber stopper. The original design sets this strainer apart from all others, while providing a leak-proof seal every time. Each strainer starts with a high quality stainless steel body, stainless steel basket, brass tail nut, and a chrome plated hand knob and post.

**Fits sinks which have a thickness between 1/16" and 3/4"**



**WARNING:** This product can expose you to chemicals including lead, which is known to the State of California to cause cancer, and lead, which is known to the State of California to cause birth defects or other reproductive harm. For more information go to [www.P65Warnings.ca.gov](http://www.P65Warnings.ca.gov).

No.	Materials
<b>300-011</b>	
1 Handle	Chrome Plated Brass
2 Strainer Basket	SS304
3 Body	Polished SS304
4 Rubber Washer	BUNA-N
5 Cup	Polished Galvanized Steel
6 Lock Nut	Zinc
7 Seal Ring	Polyethylene
8 Tail Nut	Brass

Note: Includes friction ring

LIT-JV-C 082018

# Snap-Tite™ Basket Strainer

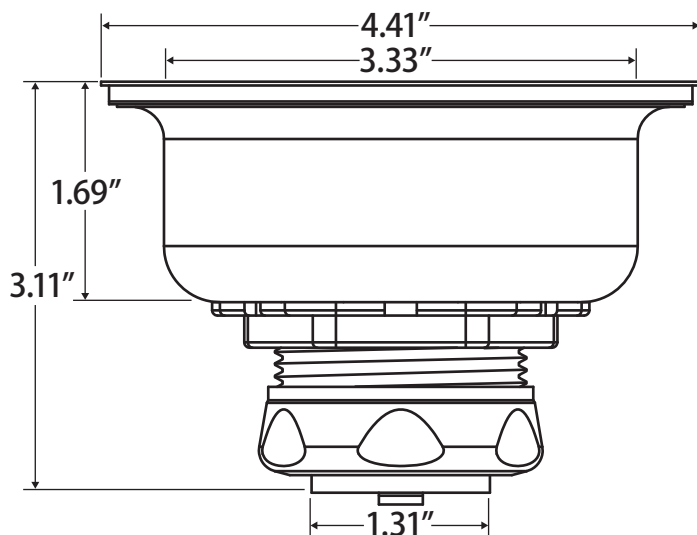
## 300 Grade Stainless Steel Sink Strainer



**SS-440**

The Snap-Tite™ basket strainer utilizes a stem clip that can switch from straining to a positive leak-proof rubber seal with a simple push or pull motion. The Snap-Tite™ body and basket are high quality stainless steel and comes standard with a zinc or brass lock nut and tail nut. This strainer has the basics of quality that The Designer Series is known for.

Fits sinks which have a thickness between 1/16" and 3/4"



**WARNING:** This product can expose you to chemicals including lead, which is known to the State of California to cause cancer, and lead, which is known to the State of California to cause birth defects or other reproductive harm. For more information go to [www.P65Warnings.ca.gov](http://www.P65Warnings.ca.gov).

No.	Materials	
	300-012	300-014
1 Handle	Chrome Plated Brass	
2 Strainer Basket	SS304	
3 Body	Polished SS304	
4 Rubber Washer	BUNA-N	
5 Cup	Polished Galvanized SS304	Galvanized SS304
6 Lock Nut	Zinc	Brass
7 Seal Ring	Polyethylene	
8 Tail Nut	Zinc	Brass

Note: All models include friction ring

# Snap 'N Seal® Basket Strainer

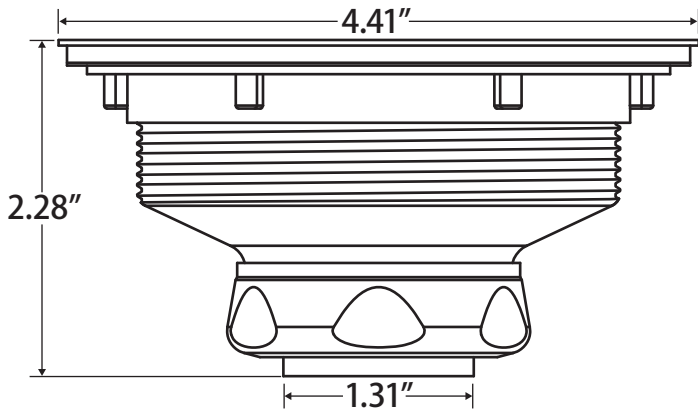
## 400 Grade Stainless Steel Sink Strainer



**SS-430**

The Snap 'N Seal® is a high quality economic designer series choice that seals with a simple rubber stopper design. Both the body and basket are constructed of stainless steel, while the hand knob is chrome plated ABS plastic. It comes standard with a brass tail nut and a large zinc lock nut.

**Fits sinks which have a thickness between 1/16" and 3/4"**



**WARNING:** This product can expose you to chemicals including lead, which is known to the State of California to cause cancer, and lead, which is known to the State of California to cause birth defects or other reproductive harm. For more information go to [www.P65Warnings.ca.gov](http://www.P65Warnings.ca.gov).

No.	Materials
<b>300-013</b>	
1 Handle	Chrome Plated ABS
2 Strainer Basket	SS430
3 Body	Polished SS430
4 Rubber Washer	BUNA-N
5 Lock Nut	Zinc
6 Seal Ring	Polyethylene
7 Tail Nut	Brass

Note: Includes friction ring

LT-JV-C 082018



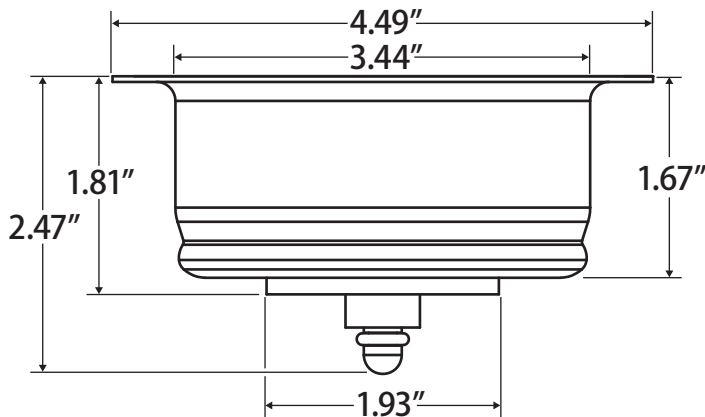
# Push-N-Seal II™ Basket Strainer

## 400 Grade Brushed Stainless Steel Sink Strainer



**BS-323-DBS**

The Push-N-Seal II™ has similar dimensions and specifications to InSinkErator® and many other brand name disposers. This garbage disposer cover is easy to use and reliable with a thick BUNA rubber seal and an appealing brushed stainless finish.



No.	Materials	
		<b>300-021CLAM*</b>
1	Handle	Brushed Brass
2	Strainer Basket	Brushed SS304
3	Rubber Washer	BUNA-N
4	Body	Brushed SS304

\*Sold in a clamshell package shown above



**WARNING:** This product can expose you to chemicals including lead, which is known to the State of California to cause cancer, and lead, which is known to the State of California to cause birth defects or other reproductive harm. For more information go to [www.P65Warnings.ca.gov](http://www.P65Warnings.ca.gov).

# Small Wonder™ Basket Strainer

Chrome Plated Brass or

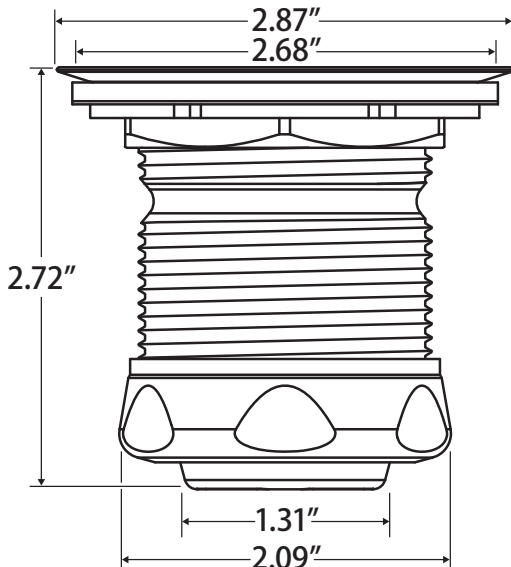
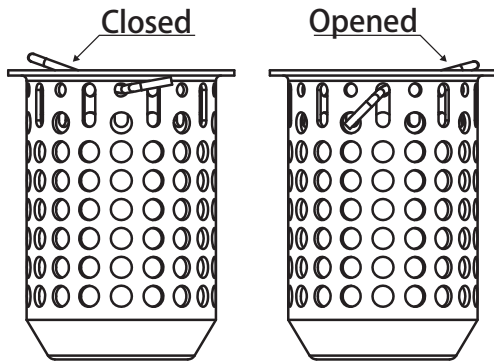
300 Grade Brushed Stainless Steel Bar Sink Strainer



**SS-308**

With a unique deep cup basket that is removable for easy cleaning, Small Wonder™ models come in either a chrome plated brass or brushed stainless steel finish, and all come standard with a brass tail nut. This strainer fits most standard bar sinks openings.

Fits sinks which have a thickness between 1/16" and 1"



**WARNING:** This product can expose you to chemicals including lead, which is known to the State of California to cause cancer, and lead, which is known to the State of California to cause birth defects or other reproductive harm. For more information go to [www.P65Warnings.ca.gov](http://www.P65Warnings.ca.gov).



No.	Materials		
	300-101	300-019	
1	Strainer	Chrome Plated SS304	Brushed SS304
2	Strainer Basket	Chrome Plated Brass	Brushed SS304
3	Body	Chrome Plated Brass	Brushed SS304
4	Rubber Washer	BUNA-N	
5	Lock Nut	Brass	
6	Gasket	BUNA-N	
7	Tail Nut	Brass	

Note: All models include friction ring

LT-JV-C 082018

# Bar-ette™ Basket Strainer

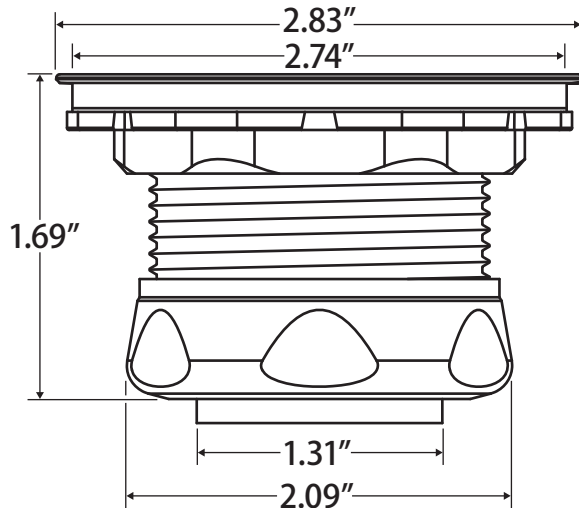
## Chrome Plated Brass Bar Sink Strainer



SS-310

To prevent unwanted clogs and blockages, the Bar-ette™ strainer features a stainless steel grill. Models come in either a chrome plated brass or brushed stainless steel finish with a standard brass tail nut. This strainer fits most standard bar sinks openings.

Fits sinks which have a thickness between 1/16" and 3/4"



No.	Materials	
	300-102	300-020CLAM*
1 Strainer	Chrome Plated SS304	Brushed SS304
2 Body	Chrome Plated Brass	Brushed SS304
3 Rubber Washer	BUNA-N	
4 Lock Nut	Brass	
5 Seal Ring	Polyethylene	
6 Tail Nut	Brass	

\*Sold in a clamshell package shown above  
Note: All models include friction ring

**WARNING:** This product can expose you to chemicals including lead, which is known to the State of California to cause cancer, and lead, which is known to the State of California to cause birth defects or other reproductive harm. For more information go to [www.P65Warnings.ca.gov](http://www.P65Warnings.ca.gov).

# Economy Strainer

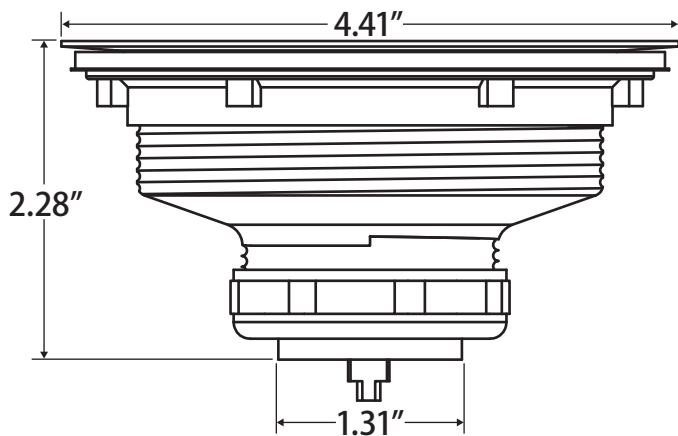
## 400 Grade Stainless Steel Sink Strainer



**SS401**

Quality at an affordable price, the SS401 meets your day to day strainer needs. With a 90 degree turn, the post can conveniently open or close the basket to slow the drain of water. Easy to install, this 400 grade stainless steel strainer body and basket includes a chrome plated ABS handle, zinc lock nut and tail nut.

**Fits sinks which have a thickness between 1/16" and 3/4"**



**WARNING:** This product can expose you to chemicals including lead, which is known to the State of California to cause cancer, and lead, which is known to the State of California to cause birth defects or other reproductive harm. For more information go to [www.P65Warnings.ca.gov](http://www.P65Warnings.ca.gov).

No.	Materials
<b>305-401</b>	
1	Handle
2	Strainer Basket
3	Body
4	Rubber Washer
5	Lock Nut
6	Seal Ring
7	Tail Nut

Note: Includes friction ring

LIT-JV-C 082018

# Snap Loc Basket Strainer

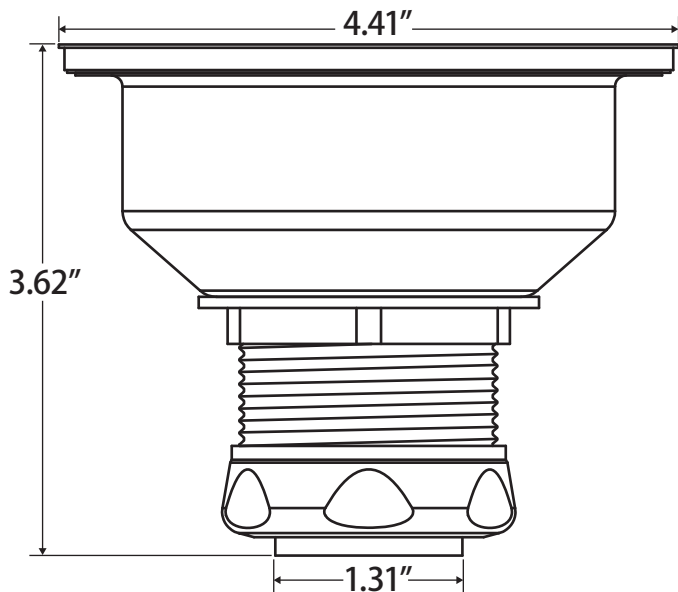
## 400 Grade Stainless Steel Sink Strainer



**SS406**

The SS406 is a rugged yet affordable version of a popular Designer Series strainer. Constructed with a 400 grade stainless steel deep cup body, this strainer provides that popular 'snap loc' seal. It also includes a stainless steel basket, ball-bearing post and a brass tail nut, making it a durable and reasonable choice.

Fits sinks which have a thickness between 1/16" and 3/4"



**WARNING:** This product can expose you to chemicals including lead, which is known to the State of California to cause cancer, and lead, which is known to the State of California to cause birth defects or other reproductive harm. For more information go to [www.P65Warnings.ca.gov](http://www.P65Warnings.ca.gov).

No.	Materials
	<b>305-406</b>
1	Handle Chrome Plated Brass
2	Strainer Basket SS430
3	Body Polished SS430
4	Rubber Washer BUNA-N
5	Cup Galvanized Steel
6	Lock Nut Zinc
7	Seal Ring Polyethylene
8	Tail Nut Brass

Note: Includes friction ring

# Disposer with Stopper

## 400 Grade Stainless Steel

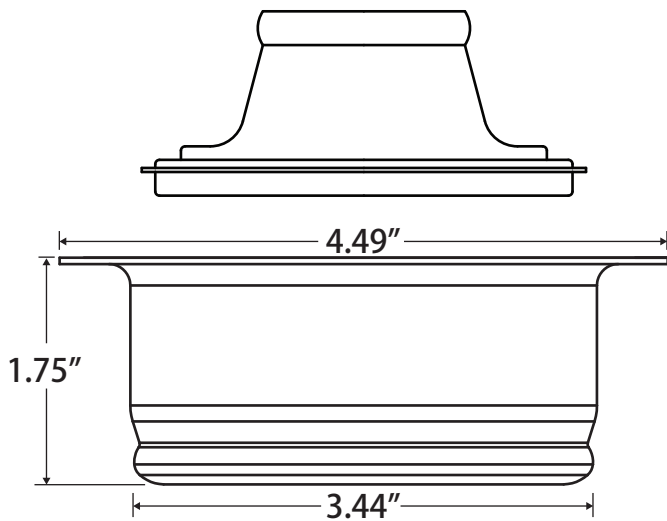


**SS400**

Jomar's disposer with stopper fits all models of InSinkErator® and is compatible with disposers that have similar dimensions and specifications. The SS400 utilizes a 400 grade stainless steel construction and provides a positive leak-proof rubber seal every time.



No.	Materials
	<b>305-400</b>
1	Stopper SS430
2	Rubber Washer BUNA-N
3	Body SS430



**WARNING:** This product can expose you to chemicals including lead, which is known to the State of California to cause cancer, and lead, which is known to the State of California to cause birth defects or other reproductive harm. For more information go to [www.P65Warnings.ca.gov](http://www.P65Warnings.ca.gov).

# Twist Loc Basket Strainer

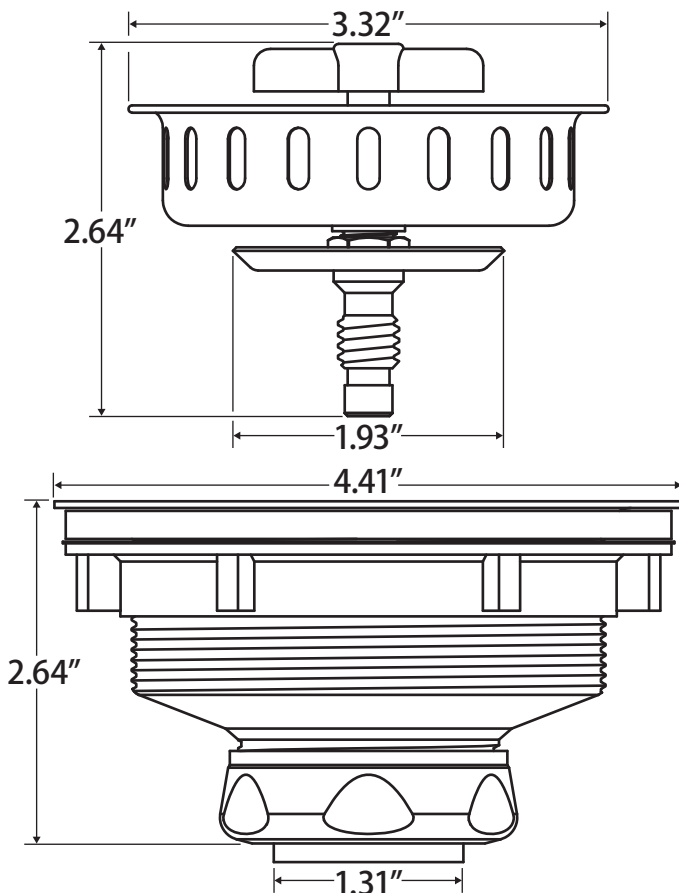
## 400 Grade Stainless Steel Sink Strainer



**SS404**

Featuring a twistable post design to create a positive metal-to-metal leak-proof seal, this strainer is manufactured with 400 grade stainless steel. Adding extra quality with a dense BUNA washer and brass tail nut, this strainer is an affordable option that performs to meet your everyday needs.

Fits sinks which have a thickness between 1/16" and 3/4"



No.	Materials	
	<b>305-404</b>	
1	Handle	Chrome Plated Zinc
2	Strainer Basket	Polished SS430
3	Body	Polished SS430
4	Rubber Washer	BUNA-N
5	Lock Nut	Zinc
6	Seal Ring	Polyethylene
7	Tail Nut	Brass

Note: Includes friction ring

**WARNING:** This product can expose you to chemicals including lead, which is known to the State of California to cause cancer, and lead, which is known to the State of California to cause birth defects or other reproductive harm. For more information go to [www.P65Warnings.ca.gov](http://www.P65Warnings.ca.gov).

# Easy Loc Basket Strainer

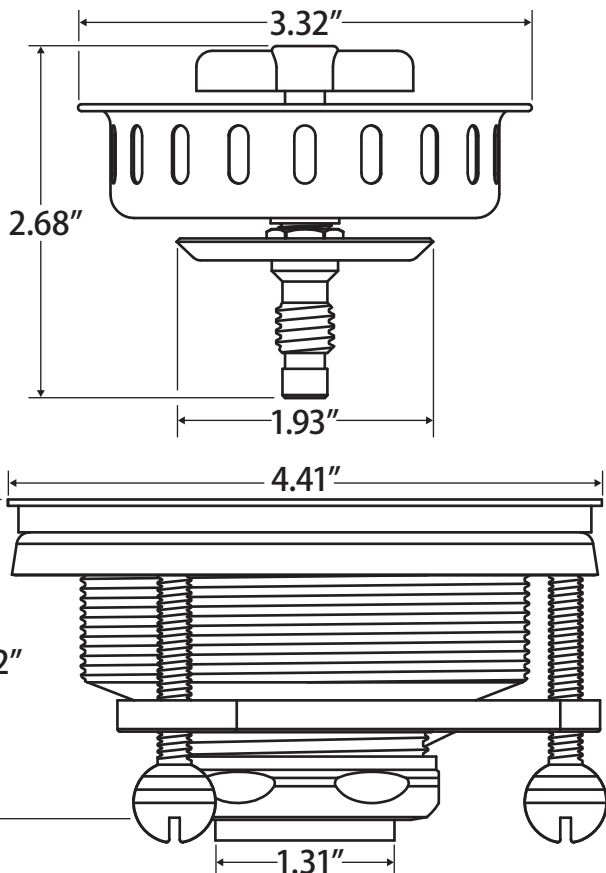
## 400 Grade Stainless Steel Sink Strainer



**SS405**

Highly durable and easy to install, this strainer has a similar design of our Twist Loc but with a labor saving mounting device. To mount, simply tighten three bolts. The SS405 Easy Loc provides durability and value in 400 grade stainless steel construction with easy installation.

Fits sinks which have a thickness between 1/16" and 1"



No.	Materials
<b>305-405</b>	
1	Handle
2	Strainer Basket
3	Body
4	Rubber Washer
5	Locking Ring
6	Bolts
7	Triangle Nut
8	Seal Ring
9	Tail Nut

**WARNING:** This product can expose you to chemicals including lead, which is known to the State of California to cause cancer, and lead, which is known to the State of California to cause birth defects or other reproductive harm. For more information go to [www.P65Warnings.ca.gov](http://www.P65Warnings.ca.gov).

LT-JV-C 082018



# Basic Deep Cup Sink Strainer

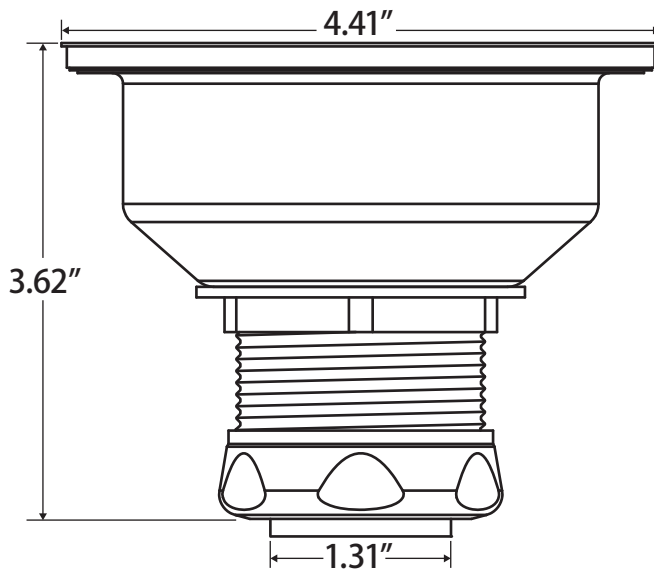
## 400 Grade Stainless Steel Sink Strainer



**SS409**

High quality and low cost makes this deep cup strainer a perfect choice. Made of 400 grade stainless steel, it features a unique post that can switch from straining to a positive leak-proof rubber seal with just a quarter turn motion. With a large zinc lock nut and tail nut it is also easy to install.

Fits sinks which have a thickness between 1/16" and 3/4"



**WARNING:** This product can expose you to chemicals including lead, which is known to the State of California to cause cancer, and lead, which is known to the State of California to cause birth defects or other reproductive harm. For more information go to [www.P65Warnings.ca.gov](http://www.P65Warnings.ca.gov).

No.	Materials
	<b>305-408</b>
1	Handle
2	Strainer Basket
3	Body
4	Rubber Washer
5	Cup
6	Lock Nut
7	Seal Ring
8	Tail Nut

Note: Includes friction ring

# Bar Sink Strainer

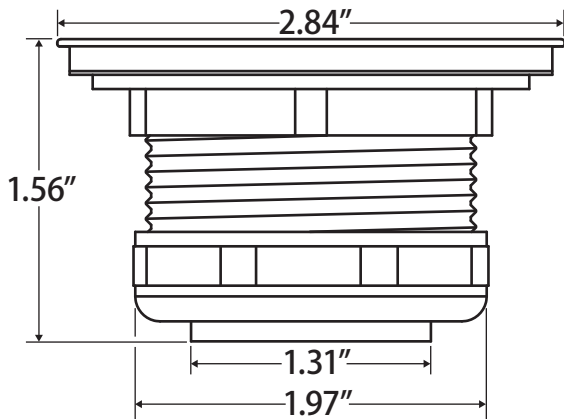
## 400 Grade Stainless Steel Bar Sink Strainer



**SS410**

The SS410 strainer is constructed of 400 grade stainless steel with a zinc tail nut. To prevent unwanted clogs and blockages, this strainer is an affordable and practical choice. Fits most standard bar sink openings.

**Fits sinks which have a thickness between 1/16" and 3/4"**



No.	Materials	
	<b>305-410</b>	
1	Strainer	SS430
2	Body	Polished SS430
3	Rubber Washer	BUNA-N
4	Lock Nut	Zinc
5	Seal Ring	Polyethylene
6	Tail Nut	Zinc

Note: Includes friction ring

LT-JV-C 082018

# Basket Strainer Parts



Basket



SS-308 Basket



Grid



Brass Tail nut



Zinc Lock Nut

## Basket Parts

Part No.	Model	Piece
301-001	SS 304	Basket
301-021	SS 305	Basket
301-002	SS 306	Basket
301-003	SS 410	Basket
301-004	SS 420	Basket
301-005	SS 430	Basket
301-006	SS 440	Basket
301-010	SS 308	Basket
301-011	SS 310	Grid
302-101	-	Rubber Gasket
302-102	-	Paper Follower

## Brushed Stainless Basket Strainer/Disposer Parts

Part No.	Model	Piece
301-017	BS 313B	Basket
301-018	BS 314-DFC	Cover (with rubber seal)
301-019	BS 315	Basket
301-020	BS 315 & BS 316	Grid

## Locknuts and Tail nuts for Models SS-304, SS-410, SS-430

Part No.	Piece
302-103	Zinc Lock Nut
302-104	Brass Lock Nut
302-105	Zinc Tail Nut
302-106	Brass Tail Nut

## Cut Type Locknut for Models SS-306, SS-420, SS-440, SN-307B

Part No.	Piece
302-105	Zinc Tail Nut
302-106	Brass Tail Nut
302-107	Zinc Lock Nut for Cup Type
302-108	Brass Lock Nut for Cup Type
302-109	Plastic Tail nut Washer
302-199	1-1/2" x 4" Chrome Tailpiece

**WARNING:** This product can expose you to chemicals including lead, which is known to the State of California to cause cancer, and lead, which is known to the State of California to cause birth defects or other reproductive harm. For more information go to [www.P65Warnings.ca.gov](http://www.P65Warnings.ca.gov).

# Valve Accessory

## Memory Stop



**Memory Stop**

### Features

Designed to help control the flow in applications where precision throttling is needed

- Percentage flow rates printed on memory stop for precise flow control
- Vibration free self-locking nut
- Fits on any T-100, S-100 or JP-100 series ball valve

### Installation

Designed to be assembled on top of the stem assembly for easy and accurate flow control.

1. Remove handle nut (leave handle in place).
2. Slide numbered plate on stem over valve handle.
3. Replace and tighten handle nut.
4. With valve in full open position, place memory indicator on top of handle and over handle nut positioned at 100. This should place the indicator tail behind the handle stop.
5. Loosely tighten down hex cap screw supplied with memory kit.
6. While holding memory indicator tail, turn valve to desired opening and tighten.

Part No.	Types	
	Size	Type
220-103	1/4", 3/8", 1/2"	1
220-104	3/4"	2
220-105	1", 1-1/4"	3
220-106	1-1/2", 2"	4



**WARNING:** This product can expose you to chemicals including lead, which is known to the State of California to cause cancer, and lead, which is known to the State of California to cause birth defects or other reproductive harm. For more information go to [www.P65Warnings.ca.gov](http://www.P65Warnings.ca.gov).

LT-JV-C 082018

# Valve Accessory

## Spring Loaded Tamper Proof Locking Device



**Lift-n-Lock**

The Jomar locking device prevents unauthorized use during maintenance or down-time. The locking device is attached over the stem and handle and held in place with an allen screw that is threaded into the center of the stem. With the padlock in place, the allen screw is not accessible, making it a tamper proof design. Will fit any T-100, S-100 or JP-100 series ball valve.

Locks Both Open & Closed			Locks Only in Closed Position		
Part No.	Size	Type	Part No.	Size	Type
210-994	1/4", 3/8", 1/2"	1	210-994C	1/4", 3/8", 1/2"	1
210-995	3/4"	2	210-995C	3/4"	2
210-996	1", 1-1/4"	3	210-996C	1", 1-1/4"	3
210-997	1-1/2", 2"	4	210-997C	1-1/2", 2"	4
210-998	2-1/2", 3"	5	210-998C	2-1/2", 3"	5
			210-999C	4"	6

# Valve Accessory

## 2" Stem Extension



**Stem Extension**

The Jomar handle extensions are available for applications where it is necessary to extend the valve handle approximately 2" higher from it's original position. Fits on any T-100, S-100 or JP-100 series ball valve.

Part No.	Size	Type
230-004	1/4", 3/8", 1/2"	Type 1
230-005	3/4"	Type 2
230-006	1", 1-1/4"	Type 3
230-007	1-1/2", 2"	Type 4
230-008	2-1/2", 3"	Type 5

# Valve Accessory

## 270° Gear Operator Handle



**Slo-Ball Handle**

The Jomar Slow-Ball is a 270° gear-closing handle that allows metering of the fluids under high pressure thus preventing a potential water hammer situation in the pipe. Fits on any T-100, S-100 or JP-100 series ball valve.

Part No.	Size	Type
220-014	1/4", 3/8", 1/2"	Type 1
220-015	3/4"	Type 2
220-016	1", 1-1/4"	Type 3
220-017	1-1/2", 2"	Type 4



**WARNING:** This product can expose you to chemicals including diisononyl phthalate (DINP), which is known to the State of California to cause cancer, and diisononyl phthalate (DINP), which is known to the State of California to cause birth defects or other reproductive harm. For more information go to [www.P65Warnings.ca.gov](http://www.P65Warnings.ca.gov).

# Valve Accessory

## Long Neck T-Handle



**Long Neck T-Handle**

The Jomar Long-Neck T-Handle is ideal for applications where piping will be insulated. Fits on any T-100, S-100 or JP-100 series ball valve.

Part No.	Size	Type
220-223	1/4", 3/8", 1/2"	Type 1
220-224	3/4"	Type 2
220-225	1", 1-1/4"	Type 3



**WARNING:** This product can expose you to chemicals including diisononyl phthalate (DINP), which is known to the State of California to cause cancer, and diisononyl phthalate (DINP), which is known to the State of California to cause birth defects or other reproductive harm. For more information go to [www.P65Warnings.ca.gov](http://www.P65Warnings.ca.gov).

LT-JV-C 082018

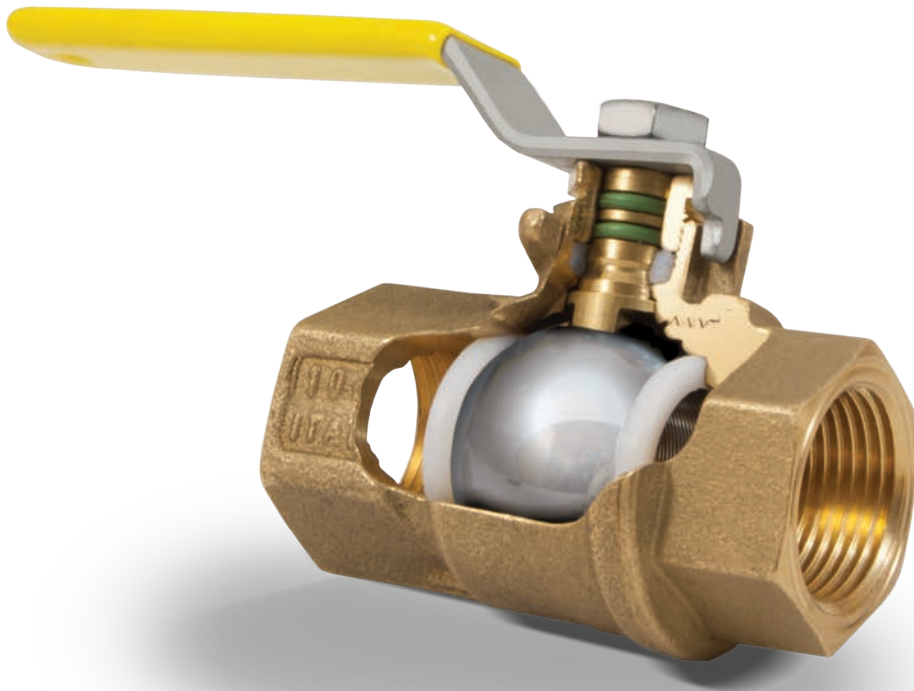


**Jomar Valve** offers a **Lifetime Limited Warranty** for leakage through the valve stem for the valve models listed below. Because **Jomar** valves are equipped with a triple stem seal (double Viton® O-rings and Hostaflon® packing gland), valves properly installed and maintained within our normal recommendations for application and service are covered by warranty for life for leakage through the stem. The warranty will be nullified if it is determined that the product has been misused, abused, improperly installed or has failed as a result of freezing.

**Jomar Valve** models covered under this warranty are listed below. If a leak through the valve stem is detected, the packing nut should be tightened (if available). If after tightening the packing gland there is still stem leakage **Jomar Customer Service** should be contacted for a Return Goods Authorization (RGA) at 800-325-5690. Only once authorization has been obtained should the product be forwarded to Jomar at the address specified on the RGA via prepaid freight with the RGA number prominently displayed. For breach of this warranty on the products below the purchaser is limited to the following damages: If after factory analysis it is determined that a defect is present, **Jomar Valve** will forward a replacement product, freight paid, to the address listed on the RGA form unless instructed otherwise. If an exact replacement product is no longer available, Jomar Valve may opt to either replace the product with a similar product of type and/or function or refund the original purchase price of the returned product. Additionally a check in the amount of \$25.00 may be authorized to the installing contractor directly to offset any installation costs. This warranty specifically excludes incidental and consequential damages of any type resulting from a claimed defect in material or workmanship. This includes but is not limited to property damages and personal injury.

### Models Covered Under Life Time Limited Warranty

T-100CSSG	T-100SSE	T-100P-SS-WS	125-LWN-S
S-100CSSG	JP-100 XLC	T-82	125-LWN-SA
JP-100G	T-100SSS	S-100-DUE	175-LWIBP
JP-100SSG	JP-100	T-205	125-LWIBP
T-100CG	JP-100G XLC	T-204	125-LWBP
S-100CG	T-100FMN	T-204DU	175-LWBP
T-100-UEG	S-100FMN	T-203	125-LWUBP
TWV-3W-KIT-G	T-100-UE	T-203DU	175-LWMP
TWV-3W-KIT-G1	T-82MG	125-LWN	
T-100NE	T-100STN	175-LWN	
S-100NE	T-100FB	175-LWIN	



T-100NE  
[www.theballvalve.com](http://www.theballvalve.com)

7243 Miller Drive • Warren, MI 48092  
phone: (586) 268-1220 • fax: (586) 979-8315 • email: [csr@jomar.com](mailto:csr@jomar.com)  
[www.jomarvalve.com](http://www.jomarvalve.com)