



HZ221 TrueZONE



Zone Panel Professional Installation Guide



TABLE OF CONTENTS

Specifications and Accessories	1
Installation.....	2
Wiring	3
Operation.....	5
Warranty.....	6

Need Help?

For assistance with this product please visit <http://honeywellhome.com>
or call Zoning Hotline toll-free at 1-800-828-8367

Read and save these instructions.

SPECIFICATIONS AND ACCESSORIES

Input Ratings:

Voltage: 18-30 VAC 50/60 Hz transformer of 40 VA or more.

Current Draw:

Zone Panel: 6.25 VA max.
All VA specifications at 24 VAC.

Wiring:

18-20-gauge solid (not stranded) wire.

Humidity Ratings:

5% to 90% RH non-condensing.

Temperature Ratings:

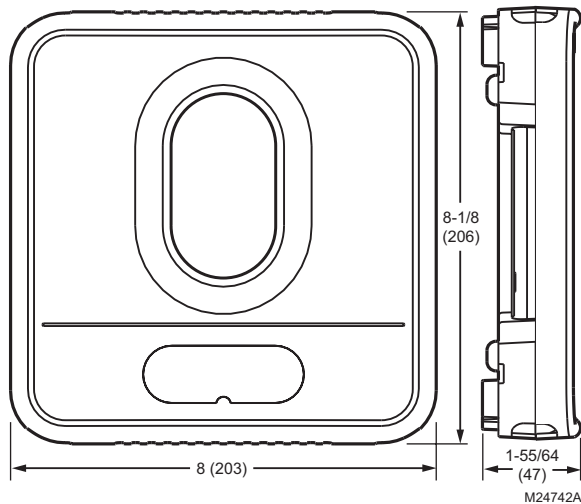
Shipping: -20° to 150°F (-29° to 66°C)
Operating: -40° to 165°F (-40° to 74°C)

Dimensions:

See below.

Emissions:

Complies with FCC Class B, part 15 requirements.



HZ221 TrueZONE panel dimensions in in. (mm).

RECOMMENDED THERMOSTATS, DAMPERS, AND ACCESSORIES

The following are suggested thermostats, dampers, and accessories for use with the TrueZONE panel.

Table 1. Recommended Thermostats.

Compatible thermostats*
TH4210U2002 (Programmable or non-programmable)
TH6210U2001 (Programmable or non-programmable)
TH6220U2000 (Programmable or non-programmable)
TH6320U2008 (Programmable or non-programmable)
TH6220WF2006 (Wi-Fi)
TH6320WF2003 (Wi-Fi)
TH8321WF1001 (Wi-Fi)
THX321WFS2001W (Wi-Fi)

* Note: The HZ221 supports a heat pump with either a heat or cool reversing valve, but the thermostats MUST be configured for a heat pump with cool reversing valve to correctly communicate to the zone panel.

Table 2. Recommended Dampers.

Type	Damper	Round	Rectangular
Zone	Spring-open/ power-closed	ARD	ZD
Zone	Power-open/ power-closed	MARD/RRD	
Bypass	Static pres- sure regulating damper	CPRD	

Table 3. Maximum Dampers.*

Ambient Temp.	Maximum Damper VA per Zone
100°F (38°C)	28.8
160°F (71°C)	16.8

* Use an SDCR (Slave Damper Control Relay) for additional dampers.
Maximum dampers per panel is limited by transformer size.
Ensure transformer is large enough to power the panel (6.25 VA) and dampers.

Table 4. Accessories.

Accessory	Description
40 VA transformer*	AT140A1042*
75 VA transformer	AT175A1008
Discharge Air Temperature Sensor (DATS)*	DATS C7735A1000*
SDCR	Slave Damper Control Relay

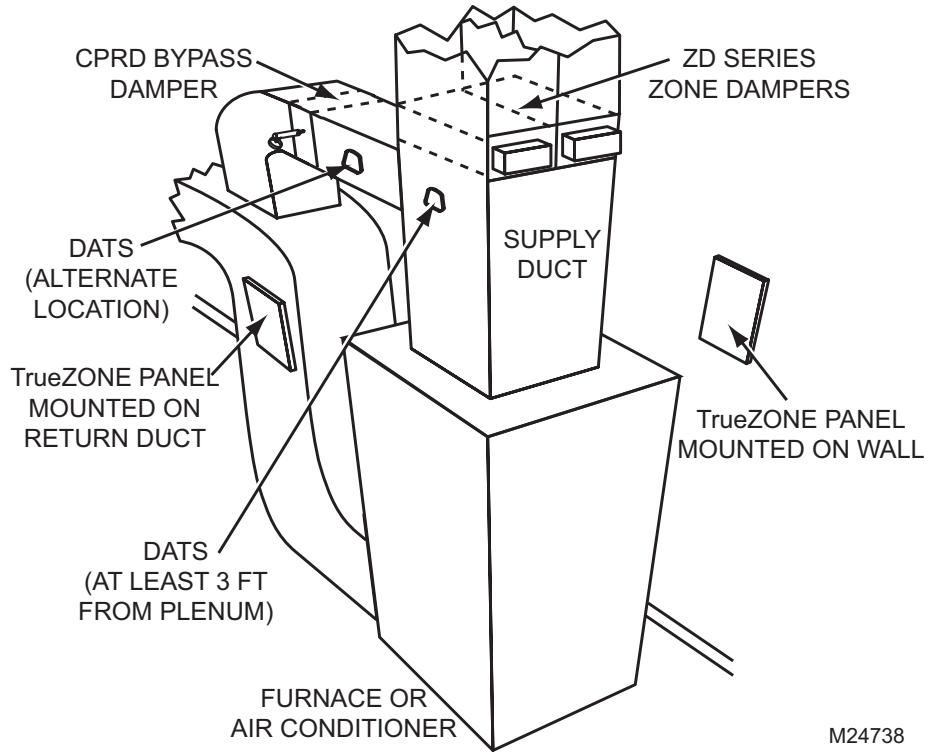
* Included in HZ221K kit.

INSTALLATION

1

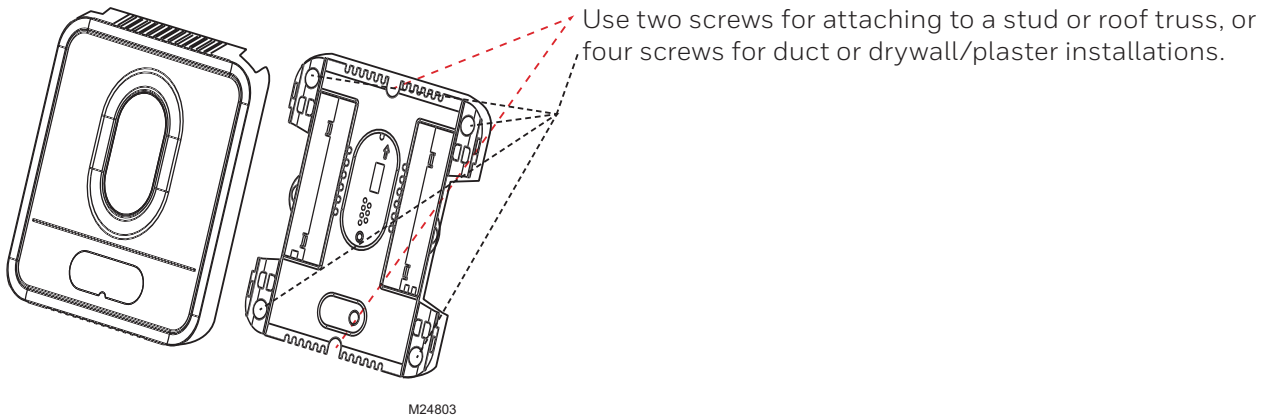
Mount the HZ221 TrueZONE panel near the HVAC equipment; locate it on a wall, stud, roof truss, or cold-air return.

NOTE: The HZ221 TrueZONE panel can be mounted in any orientation; level it for appearance only.



2

Separate the zone panel cover from the base, and use the base as a template to drill mounting holes. Attach the base to the wall, stud, roof truss, or duct with appropriate screws (not included).



WIRING

Wiring must comply with applicable codes, ordinances, and regulations.



CAUTION: Voltage Hazard.

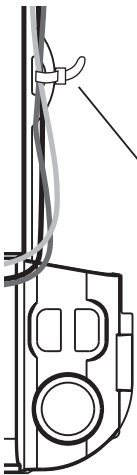
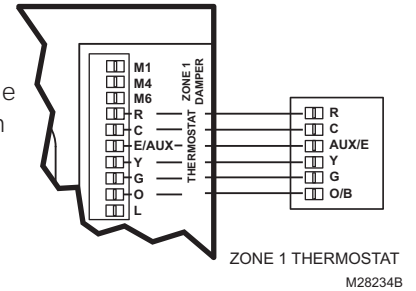
Can cause electrical shock or equipment damage. Disconnect power before beginning installation. Wire entire panel before applying transformer power.

3

Install thermostats using instructions provided with thermostats. Connect thermostat to zone panel. To connect wire to the panel, strip approximately 1/4 in. of insulation and push wire into terminal. To release wire, press the button on top of the terminal. In retrofit applications, trim end of wire if not straight.

If the thermostat has separate E and Aux terminals, install a jumper between the two terminals.

Note: Thermostat must be configured for changeover in cool mode. If heat pump uses changeover in heat mode, wire the changeover to B on equipment terminals.



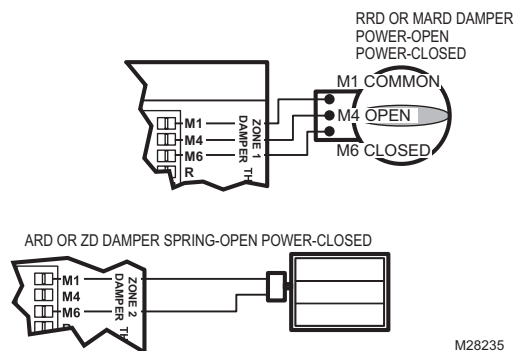
M24743

Wires can be run behind the panel, through wire channels on the panel's sides, and must be attached to a wiring anchor with a cable tie.

4

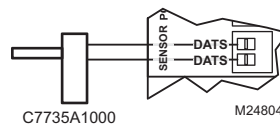
Install dampers using instructions provided with dampers. Connect dampers to zone panel.

NOTE: Multiple dampers can be wired in parallel.



5

Connect DATS as shown.

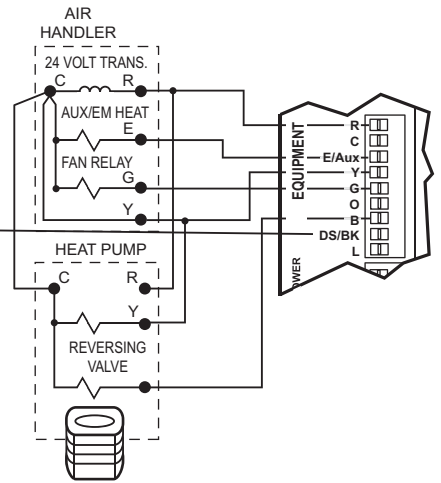


WIRING

6

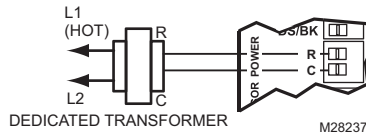
Connect equipment as shown.

The DS/BK terminal is used with a variable-speed fan. Connect to the DS, BK, or ODD terminal on the furnace equipment. When only one zone calls for heat, cool, or fan, the DS/BK terminal operates the fan at low speed to reduce airflow.



7

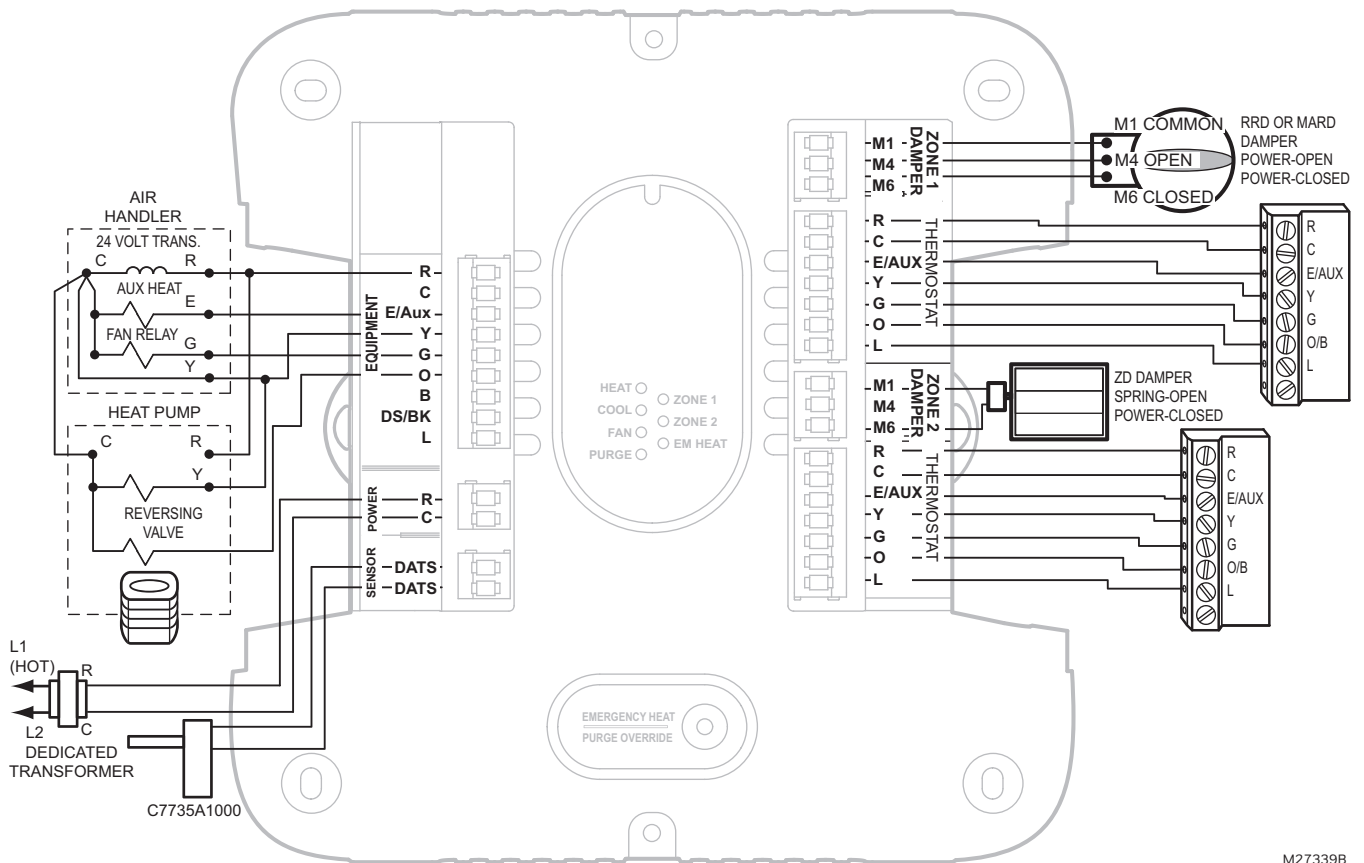
Connect transformer as shown.



M28236A

The following diagram is an overall view of wiring for a heat pump system as depicted in steps 3–7.

Thermostats must be wired/configured for cool changeover “O”, even if equipment uses heat changeover “B.”



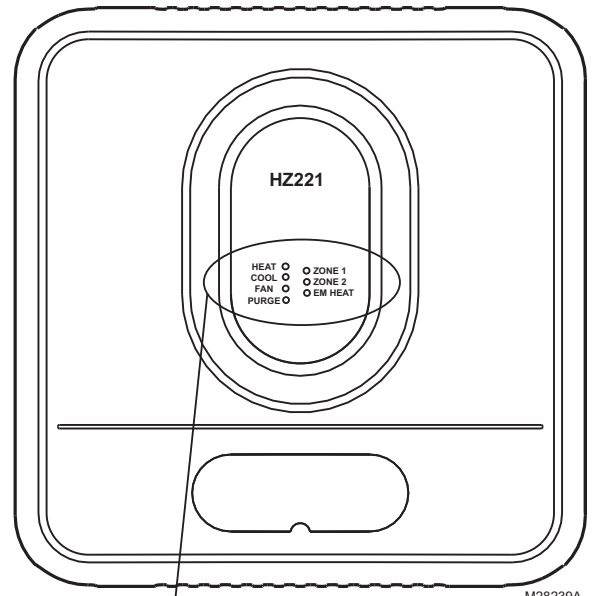
M27339B

OPERATION

The HZ221 TrueZONE panel contains an LED display that communicates system and zone status. The LEDs indicate the following information.

Table 5. LED Operation.

LED	Description
HEAT	Solid when in heat. Blinking when DATS temperature exceeds 120°F (49°C) and calling for heat pump only. Blinking when DATS temperature exceeds 160°F (71°C) and calling for heat pump and auxiliary heat. At 150°F (66°C), auxiliary heat is disabled.
COOL	Solid when in cool. Blinking when 45°F (7°C) DATS low limit mode has been reached.
FAN	Solid when in operation.
PURGE	Solid when in purge (lasts 2 minutes at power-up and after a call for heat or cool). Blinking when the DATS sensor has failed, or the wires are shorted or open. Will blink for 3 minutes at power-up if DATS is not present.
ZONE 1, 2	Solid green when open or opening. Solid red when closed or closing. Blinking amber when there is a damper or thermostat short circuit (circuit breaker trip).
EM HEAT	Solid when in Em Heat mode.



LED display.

HZ221
2 Zones, 2H/1C

LED Status

Heat LED	Heating Mode
Flashing Heat LED	High Limit
Cool LED	Cooling Mode
Flashing Cool LED	Low Limit
Purge LED	Purge Mode
Flashing Purge LED	Sensor Failure
Fan LED	Fan On
Em Heat LED	Em Heat Mode
Zone LEDs	Green - Open Red - Closed Flashing - Short

Zone Names

Zone 1 _____

Zone 2 _____

Technical Support: 1-800-828-8367
customer.resideo.com

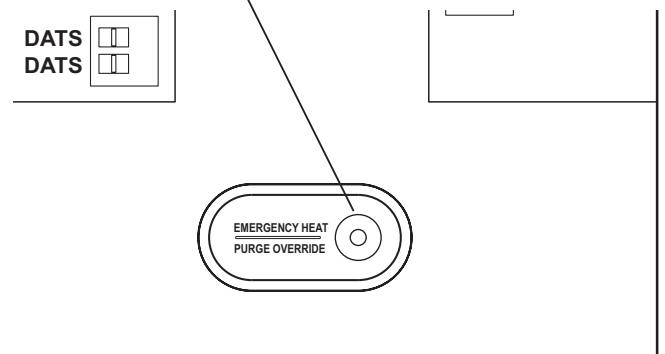
Patents Pending
50031314-001 Rev. A

Much of this information is also listed on the label on the inside of the HZ221 cover.

When the zone panel cover is off, the EMERGENCY HEAT/PURGE OVERRIDE button is visible.

When the panel is in Purge (at startup or after a call for heat/cool), pressing this button stops the Purge, which saves time during installation or troubleshooting.

All other times, pressing the button puts the zone panel into Em Heat mode so that all calls for heat are handled by the auxiliary heat.



M28240A

M24741A

WARRANTY

Resideo warrants this product, excluding battery, to be free from defects in workmanship or materials, under normal use and service, for a period of five (5) years from the date of first purchase by the original purchaser. If at any time during the warranty period the product is determined to be defective due to workmanship or materials, Resideo shall repair or replace it (at Resideo's option).

If the product is defective,

(i) return it, with a bill of sale or other dated proof of purchase, to the place from which you purchased it; or

(ii) call Resideo Customer Care at 1-800-828-8367. Customer Care will make the determination whether the product should be returned to the following address: Resideo Return Goods, 1985 Douglas Dr. N., Golden Valley, MN 55422, or whether a replacement product can be sent to you.

This warranty does not cover removal or reinstallation costs. This warranty shall not apply if it is shown by Resideo that the defect was caused by damage which occurred while the product was in the possession of a consumer.

Resideo's sole responsibility shall be to repair or replace the product within the terms stated above. RESIDEO SHALL NOT BE LIABLE FOR ANY LOSS OR DAMAGE OF ANY KIND, INCLUDING ANY INCIDENTAL OR CONSEQUENTIAL DAMAGES RESULTING, DIRECTLY OR INDIRECTLY, FROM ANY BREACH OF ANY WARRANTY, EXPRESS OR IMPLIED, OR ANY OTHER FAILURE OF THIS PRODUCT.

Some states do not allow the exclusion or limitation of incidental or consequential damages, so this limitation may not apply to you.

THIS WARRANTY IS THE ONLY EXPRESS WARRANTY RESIDEO MAKES ON THIS PRODUCT. THE DURATION OF ANY IMPLIED WARRANTIES, INCLUDING THE WARRANTIES OF MERCHANTABILITY AND FITNESS FOR A PARTICULAR PURPOSE, IS HEREBY LIMITED TO THE FIVE YEAR DURATION OF THIS WARRANTY. Some states do not allow limitations on how long an implied warranty lasts, so the above limitation may not apply to you.

This warranty gives you specific legal rights, and you may have other rights which vary from state to state. If you have any questions concerning this warranty, please write Resideo Customer Care, 1985 Douglas Dr, Golden Valley, MN 55422 or call 1-800-828-8367.



resideo

www.resideo.com

Resideo Inc., 1985 Douglas Drive North
Golden Valley, MN 55422

69-2200-03 M.S. Rev. 07-19 | Printed in United States

Honeywell Home

This product is manufactured by Resideo Technologies, Inc., Golden Valley, MN, 1-800-828-8367
© 2019 Resideo Technologies, Inc. The Honeywell Home trademark is used under license from Honeywell International Inc.
All rights reserved.