




# HX Coil Engineering and Specification Guide

<b>Nomenclature</b>	<b>2</b>	<b>Shipping Weights</b>	<b>6</b>
<b>Uncased "HX" Coil Dimensions</b>	<b>3</b>	<b>Pallet Quantities</b>	<b>7</b>
<b>Cased "HX" Coil Dimensions</b>	<b>4</b>	<b>Warranty</b>	<b>8</b>
<b>"HX" Coil Air Flow Data</b>	<b>5</b>		

### General Specifications

- : Produced in a ISO 9002 certified facility.
- : Ratings in conformity with ARI standard 210.
- : UL Listed.
- : For use with R-22 and R-410a refrigerants.
- : Coils are individually tested at 450 PSI, then pressurized and sealed.
- : UV resistant drain pans are molded of high temperature (450° F) engineering polymer.
- : Rifled Copper Tubing.
- : Patented lance fin design.
- : Refrigerant connections are 3/8" ODF liquid and 3/4" ODF (18-36 MBTUH) or 7/8" ODF (42-60 MBTUH) suction.
- : Florators standard.
- : All coils are foam packed with bar coding on label.
- : No hassle 5 year warranty.

### Additional A Coil Features

- : Optional painted cabinets.
- : Interlocking door assemblies and snug line seal grommets to minimize air leakage.
- : External florators assembly for easy piston changes.
- : Dual 3/4" FPT condensate drains on left and right.
- : Heavy gauge embossed galvanized cabinets fully lined with 1/2" foil faced insulation (cased coils).
- : Refrigerant connections available on left or right.
- : Up or down airflow (standard coil), **models with face velocity above 350 are not recommended for downflow applications.**
- : Up, down, left or right airflow (versaflow coil)
- : **HYDRO TEC™** low water retention drain pan with anti microbial additive. 

*Product improvement is a continuous process at Advanced Distributor Products. Therefore, product specifications are subject to change without notice and without obligation on our part. Please contact your ADP representative or distributor to verify detail*

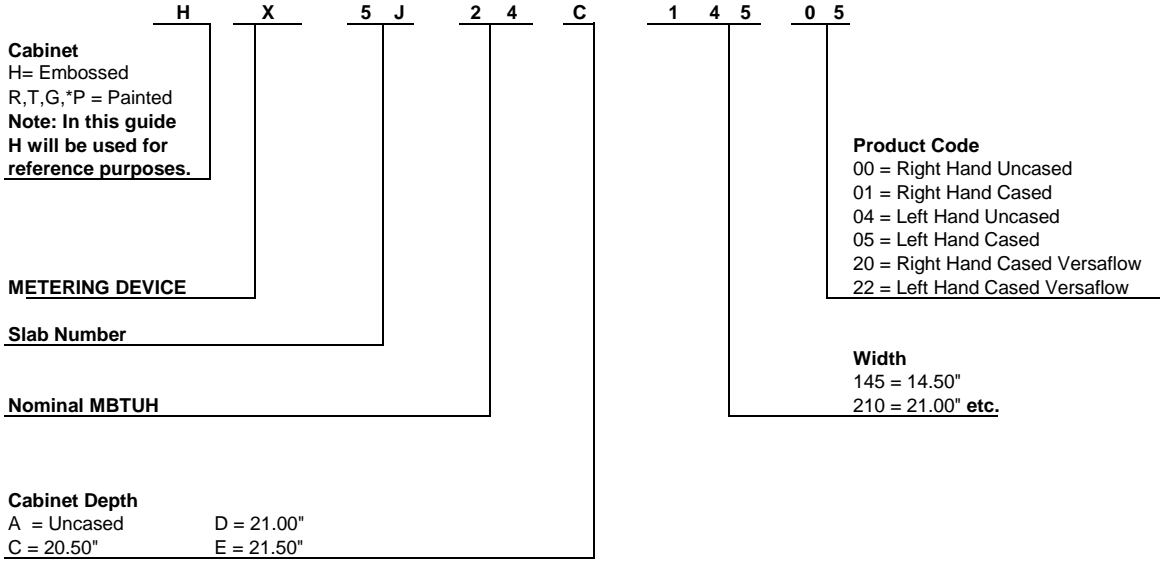
**All ADP coils carry the following approvals:**



CERTIFICATION APPLIES ONLY  
WHEN THE COMPLETE  
SYSTEM IS LISTED  
WITH ARI

# Nomenclature

## A-Coil

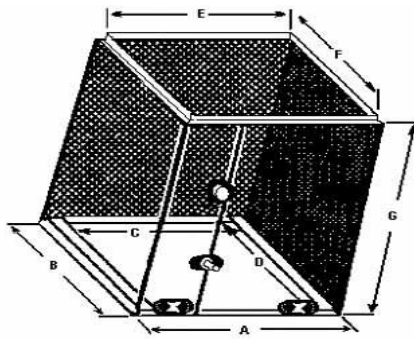


\* P color included Carrier metering device and may not be applicable with other manufactures.

# Uncased Dimensions

	Available Drain Pan Width (uncased coil width)							Pan Depth	Coil Height
	13"	14"	15.5"	17"	20"	20.5"	25.12"		
HX5J18	X	X	X					19.5"	11"
HX5J24	X	X	X						
HX6J18	X	X	X	X				19.5"	13"
HX6J24	X	X	X	X					
HX6J30	X	X	X	X					
HX7J18	X	X	X	X				19.5"	15"
HX7J24	X	X	X	X					
HX7J30	X	X	X	X					
HX7J36		X	X	X					
HX8J24	X	X	X	X	X			19.5"	17"
HX8J30	X	X	X	X	X				
HX8J36		X	X	X	X				
HX9J24	X	X	X	X	X			19.5"	19"
HX9J30	X	X	X	X	X				
HX9J36		X	X	X	X				
HX9J42			X	X	X				
HX1K30	X	X	X	X	X			19.5"	21"
HX1K36		X	X	X	X				
HX1K42			X	X	X				
HX1K48				X	X				
HX2K36		X	X	X	X			19.5"	23"
HX2K42			X	X	X				
HX2K48				X	X				
HX2K60					X				
HX3K36		X	X	X	X			19.5"	25"
HX3K42			X	X	X				
HX3K48				X	X				
HX3K60					X				
HX4K36		X	X	X	X			19.5"	27"
HX4K42			X	X	X				
HX4K48				X	X				
HX4K60					X				
HX5K42						X		19.5"	25"
HX5K48						X			
HX5K60						X			
HX6K42						X		19.5"	27"
HX6K48						X			
HX6K60						X			
HX7K42						X		19.5"	29"
HX7K48						X			
HX7K60						X			

# Cased Dimensions



- A = Cabinet width
- B = Cabinet depth
- C = Bottom opening width is cabinet width less 1"
- D = Bottom opening depth is cabinet depth less 1/2"
- E = Top opening width is cabinet width less 1 1/2"
- F = Top opening depth is cabinet depth less 1 1/2"
- Upflow and multiposition. See nomenclature for counterflow
- G = Cabinet height not including 3/4" duct flange

	Cabinet Width in 1/4" increments		Depth 1/2" increments	Height	
	Up/Downflow	Versaflow		Std.	Versaflow
HX5J18	13.25" - 17.00"	13.50" - 17.25"	20.50" - 21.50"	12.5"	16.5"
HX5J24					
HX6J18	13.25" - 20.00"	13.50" - 20.25"	20.50" - 21.50"	16.5"	16.5"
HX6J24					
HX6J30					
HX7J18	13.25" - 20.00"	13.50" - 20.25"	20.50" - 21.50"	16.5"	16.5"
HX7J24					
HX7J30					
HX7J36					
HX8J24	14.25" - 24.50"	14.50" - 24.50"	20.50" - 21.50"	18.5"	20.5"
HX8J30					
HX8J36					
HX9J24	14.25" - 26.75"	14.50" - 26.75"	20.50" - 21.50"	20.5"	20.5"
HX9J30					
HX9J36					
HX9J42					
HX1K30	14.25" - 26.75"	14.50" - 26.75"	20.50" - 21.50"	25.5"	25.5"
HX1K36					
HX1K42					
HX1K48					
HX2K36	14.25" - 26.75"	14.50" - 26.75"	20.50" - 21.50"	25.5"	25.5"
HX2K42					
HX2K48					
HX2K60					
HX3K36	**14.25" - 26.75"	**14.50" - 26.75"	20.50" - 21.50"	25.5"	25.5"
HX3K42	**15.75" - 26.75"	**16.00" - 26.75"			
HX3K48	17.25" - 26.75"	17.50" - 26.75"			
HX3K60	20.25" - 26.75"	20.50" - 26.75"			
HX4K36	***14.50" - 26.75"	***14.75" - 26.75"	20.50" - 21.50"	27.5"	27.5"
HX4K42					
HX4K48	17.25" - 26.75"	17.50" - 26.75"			
HX4K60	20.25" - 26.75"	20.50" - 26.75"			
HX5K42	20.75" - 26.75"	21.00" - 26.75"	20.50" - 21.50"	27.5"	27.5"
HX5K48					
HX5K60					
HX6K42	20.75" - 26.75"	21.00" - 26.75"	20.50" - 21.50"	27.5"	27.5"
HX6K48					
HX6K60					
HX7K42	20.75" - 26.75"	21.00" - 26.75"	20.50" - 21.50"	31.5"	31.5"
HX7K48					
HX7K60					
HX8K42	25.50" - 26.75"	25.75" - 26.75"	21.00" - 21.50"	25.5"	29.5"
HX8K48					
HX8K60					

\*\*If cabinet width is 17 inches or less for upflow or 17.25 for versaflow, cabinet height must be changed to 27.5 inches.

\*\*\*If cabinet width is 17 inches or less for upflow or 17.25 for versaflow, cabinet height must be changed to 29.5 inches.

# Airflow Data

	CFM	Face Vel. (fpm)	Wet Coil Air Pressure Drop (inches H <sub>2</sub> O)						
			Drain Pan Width						
			13"	14"	15 1/2"	17"	20"	20.5"	25.12"
HX5J18	600	270	.28	.26	.23	--	--	--	--
HX5J24	800	<b>360</b>	.30	.28	.26	--	--	--	--
HX6J18	600	224	.27	.22	.19	.18	--	--	--
HX6J24	800	299	.30	.25	.21	.20	--	--	--
HX6J30	1000	<b>375</b>	.30	.29	.25	.24	--	--	--
HX7J18	600	193	.21	.18	.17	.14	--	--	--
HX7J24	800	257	.25	.21	.19	.17	--	--	--
HX7J30	1000	321	.30	.25	.23	.20	--	--	--
HX7J36	1200	<b>386</b>	--	.30	.29	.27	--	--	--
HX8J24	800	225	.24	.19	.18	.17	--	--	--
HX8J30	1000	281	.29	.24	.22	.19	--	--	--
HX8J36	1200	337	--	.30	.28	.24	--	--	--
HX9J24	800	200	.25	.20	.18	.15	.10	--	--
HX9J30	1000	250	.27	.22	.21	.18	.13	--	--
HX9J36	1200	300	--	.29	.27	.25	.17	--	--
HX9J42	1400	<b>350</b>	--	--	.30	.28	.26	--	--
HX1K30	1000	225	--	.25	.23	.21	.17	--	--
HX1K36	1200	270	--	.27	.26	.24	.20	--	--
HX1K42	1400	315	--	--	.30	.27	.25	--	--
HX1K48	1600	<b>360</b>	--	--	--	.30	.30	--	--
HX2K36	1200	245	--	.26	.26	.22	.14	--	--
HX2K42	1400	286	--	--	.30	.25	.24	--	--
HX2K48	1600	327	--	--	--	.28	.27	--	--
HX2K60	2000	<b>409</b>	--	--	--	--	.30	--	--
HX3K36	1200	225	--	.24	.26	.22	.14	--	--
HX3K42	1400	262	--	--	.30	.28	.24	--	--
HX3K48	1600	300	--	--	--	.30	.27	--	--
HX3K60	2000	<b>375</b>	--	--	--	--	.29	--	--
HX4K36	1200	208	--	.27	.25	.21	.13	--	--
HX4K42	1400	242	--	--	.29	.27	.23	--	--
HX4K48	1600	277	--	--	--	.29	.26	--	--
HX4K60	2000	346	--	--	--	--	.28	--	--
HX5K42	1400	263	--	--	--	--	--	.28	--
HX5K48	1600	300	--	--	--	--	--	.29	--
HX5K60	2000	375	--	--	--	--	--	.32	--
HX6K42	1400	242	--	--	--	--	--	.27	--
HX6K48	1600	277	--	--	--	--	--	.28	--
HX6K60	2000	346	--	--	--	--	--	.30	--
HX7K42	1400	225	--	--	--	--	--	.25	--
HX7K48	1600	257	--	--	--	--	--	.27	--
HX7K60	2000	322	--	--	--	--	--	.29	--
HX8K42	1400	200	--	--	--	--	--	--	.28
HX8K48	1600	229	--	--	--	--	--	--	.29
HX8K60	2000	286	--	--	--	--	--	--	.30

# Coil Weights

## "A" Style

Coil Code	Uncased Coil Weight	Cased Weights (based on "D" depth)								
		Cabinet Heights								
		12.50"	16.50"	18.50"	20.50"	25.50"	27.50"	29.50"	31.50"	Versaflow
HX5J	22	29	--	--	--	--	--	--	--	36
HX6J	24	32	34	--	--	--	--	--	--	38
HX7J	28	--	38	40	--	--	--	--	--	46
HX8J	32	--	40	44	--	--	--	--	--	50
HX9J	35	--	--	47	48	--	--	--	--	56
HX1K	39	--	--	--	51	53	--	--	--	60
HX2K	41	--	--	--	--	57	--	--	--	64
HX3K	45	--	--	--	--	61	--	--	--	65
HX4K	44	--	--	--	--	--	60	--	--	66
HX5K	47	--	--	--	--	--	63	--	--	69
HX6K	50	--	--	--	--	--	66	--	--	72
HX7K	55	--	--	--	--	--	--	--	73	79
HX8K	58	--	--	--	--	75	--	--	--	81

# Pallet Quantities

Cased "A" Coils								
Case Width	Case Heights							
	12.50"	16.50"	18.50"	20.50"	25.50"	27.50"	29.50"	31.50"
13.25"	18	12	12	6	6	--	--	--
13.50"	18	12	12	6	6	--	--	--
13.75"	18	12	12	6	6	--	--	--
14.00"	18	12	12	6	6	--	--	--
14.25"	18	12	12	6	6	--	--	--
14.50"	18	12	12	6	6	--	--	--
14.75"	18	12	12	4	4	--	--	--
15.00"	18	12	12	4	4	--	--	--
15.25"	18	12	12	4	4	--	--	--
15.50"	18	12	12	4	4	--	--	--
15.75"	18	12	12	4	4	4	--	--
16.00"	18	12	12	4	4	4	--	--
16.25"	18	12	12	4	4	4	--	--
16.50"	18	12	12	4	4	4	--	--
16.75"	8	8	8	4	4	4	--	--
17.00"	8	8	8	4	4	4	--	--
17.25"	8	8	8	4	4	4	4	--
17.50"	8	8	8	4	4	4	4	--
17.75"	8	8	8	4	4	4	4	--
18.00"	8	8	8	4	4	4	4	--
18.25"	--	8	8	4	4	4	4	--
18.50"	--	8	8	4	4	4	4	--
18.75"	--	8	8	4	4	4	4	--
19.00"	--	8	8	4	4	4	4	--
19.25"	--	8	8	4	4	4	4	--
19.50"	--	8	8	4	4	4	4	--
19.75"	--	8	8	4	4	4	4	--
20.00"	--	8	8	4	4	4	4	--
20.25"	--	8	8	4	4	4	4	--
20.50"	--	8	8	4	4	4	4	--
20.75"	--	8	8	4	4	4	4	4
21.00"	--	8	8	4	4	4	4	4
21.25"	--	8	8	4	4	4	4	4
21.50"	--	8	8	4	4	4	4	4
21.75"	--	8	8	4	4	4	4	4
22.00"	--	8	8	4	4	4	4	4
22.25"	--	8	8	4	4	4	4	4
22.50"	--	8	8	4	4	4	4	4
22.75"	--	8	8	4	4	4	4	4
23.00"	--	8	8	4	4	4	4	4
23.25"	--	8	8	4	4	4	4	4
23.50"	--	8	8	4	4	4	4	4
23.75"	--	8	8	4	4	4	4	4
24.00"	--	8	8	4	4	4	4	4
24.25"	--	8	8	4	4	4	4	4
24.50"	--	8	8	4	4	4	4	4
24.75"	--	4	4	4	4	4	4	4
25.00"	--	4	4	4	4	4	4	4
25.25"	--	4	4	4	4	4	4	4
25.50"	--	4	4	4	4	4	4	4
25.75"	--	4	4	4	4	4	4	4
26.00"	--	4	4	4	4	4	4	4
26.25"	--	2	2	2	2	2	2	2
26.50"	--	2	2	2	2	2	2	2
26.75"	--	2	2	2	2	2	2	2

Uncased "A" Coils										
Pan Width	Coil Height									
	11"	13"	15"	17"	19"	21"	23"	25"	27"	29"
13.00	18	18	12	12	12	6	6	6	6	--
14.00	18	18	12	12	12	6	6	6	6	--
15.50	18	18	12	12	12	4	4	4	4	--
17.00	8	8	8	8	8	4	4	4	4	--
19.50	--	--	--	--	--	--	--	--	4	--
20.00	--	--	--	8	8	4	4	4	4	--
20.50	--	--	--	--	--	--	--	--	4	4
25.12	--	--	--	--	--	--	--	4	--	--

**NOTE:**

Minimum Line Item Order

From inventory: Full skid  
 From factory: 12 each (could be more based on skid quantities)  
*Exception- 5 ton models are available by skid quantities*

All orders shipped on skids only.  
 Full skids only. One line item per skid.  
 Orders will be adjusted to full skids, if necessary.



**Advanced Distributor Products®**

ECW-1  
MAY 00

## **EVAPORATOR COIL LIMITED WARRANTY**

Advanced Distributor Products (ADP) warrants to its direct purchasers that products sold to them shall be of a merchandisable quality, free of defects in material or workmanship, under normal use and service for a period of five (5) years from date of manufacture by ADP.

Any product covered by this warranty found to ADP's satisfaction to be defective upon examination at ADP's factory will, at ADP's option, be repaired or replaced and returned to buyer via lowest common carrier, or ADP may at its option grant buyer a credit for the purchase price of the defective article. Upon return of a defective product to ADP's plant, freight prepaid by buyer, correction of such defect by repair or replacement, and return freight via lowest common carrier, shall constitute full performance by ADP of its obligation hereunder.

ADP shall have no liability for expenses incurred for repairs made by buyer except by prior, written authorization. Every claim on account of Breach of Warranty shall be made to ADP in writing within the warranty period specified above – otherwise such claim shall be deemed waived. ADP shall have no warranty obligation whatsoever if its products have been subjected to alteration, misuse, negligence, corrosive atmosphere, free chemicals in system, accident, or if operation is contrary to ADP's or manufacturer's recommendations.

**THE FOREGOING IS IN LIEU OF ALL OTHER WARRANTIES, EXPRESS OR IMPLIED, NOT WITHSTANDING THE PROVISIONS OF THE UNIFORM COMMERCIAL CODE, THE MAGNUSON-MOSS WARRANTY-FEDERAL TRADE COMMISSION IMPROVEMENT ACT, OR ANY OTHER STATUTORY IN COMMON LAW, FEDERAL OR STATE.**

**ADP MAKES NO WARRANTY, EXPRESS OR IMPLIED, OF FITNESS FOR ANY PARTICULAR PURPOSE, OR OF ANY OTHER NATURE WHATSOEVER, WITH RESPECT TO PRODUCTS MANUFACTURED OR SOLD BY ADP HEREUNDER, EXCEPT AS SPECIFICALLY SET FORTH ABOVE AND ON THE FACE HEREOF. IT IS EXPRESSLY UNDERSTOOD AND AGREED THAT ADP SHALL NOT BE LIABLE TO BUYER, OR ANY CUSTOMER OF BUYER, FOR DIRECT OR INDIRECT, SPECIAL, INCIDENTAL, CONSEQUENTIAL OR PENAL DAMAGES, OR FOR ANY EXPENSES INCURRED BY REASON OF THE USE OR MISUSE BY BUYER OR THIRD PARTIES OR SAID PRODUCTS. TO THE EXTENT SAID PRODUCTS MAY BE CONSIDERED "CONSUMER PRODUCTS," AS DEFINED IN SEC. 101 OF THE MAGNUSON-MOSS WARRANTY-FEDERAL TRADE COMMISSION IMPROVEMENT ACT, ADP MAKES NO WARRANTY OF ANY KIND, EXPRESS OR IMPLIED, TO "CONSUMERS," EXCEPT AS SPECIFICALLY SET FORTH ABOVE ON THE FACE HEREOF.**