

As shown with optional
"Quick Connect"
Wiring Package



MODEL WB-115



Now available as
ASME APPROVED
tank. Specify ASME
when ordering.

AVAILABLE WITH GLASS LINED OR SOLID COPPER UNITS

Therma-Flow/Everhot Series Hot Water Boosters assure ample supply of stored hot water for the most demanding draws, i.e., showers, bath tubs, dishwasher, washing machines, jacuzzis, etc.

Therma-Flow/Everhot Series Hot Water Boosters have been specifically designed to eliminate service problems. All fittings have been positioned for front access, enabling the units to be conveniently installed even in tight corners. In addition, the anode rod can be removed without dismantling the jacket top and related water pipe connections.

The installation of a Therma-Flow/Everhot Hot Water Booster will enable the present boiler to operate at a lower temperature, thereby reducing overall fuel consumption.

STANDARD FEATURES INCLUDE:

- Heavy duty glass lined steel tank or solid copper tank
- High density fiberglass insulation
- Heavy gauge steel jacket with decorative acrylic enamel finish

THERMA-FLOW/EVERHOT TANKLESS HOT WATER BOOSTERS ARE EQUIPPED WITH:

- Immersion type aquastat
- Bronze circulator
(Bronze circulator must be purchased as an option for WB-70 and WB-115.)

THERMA-FLOW OFFERS AN OPTIONAL "QUICK CONNECT" WIRING PACKAGE, AVAILABLE IN TWO VERSIONS

Each "Quick Connect" package includes a junction box, the special "Quick Connect" terminal, and a heavy duty appliance cord. Everything is designed for you to mount quickly and easily.

- VERSION 1 is suitable for units already in the field and is made up of the junction box, terminal, and cord as described above.
- **VERSION 2 includes the same components, plus it has the circulator, the aquastat, and the appliance cord prewired. No field wiring is necessary. Simply plug into the nearest appropriate 115 volt receptacle and you are done!**

GUARANTEES:

- 5-year guarantee on all glass-lined units
- 7-year guarantee on copper units

The above guarantees apply to residential (maximum of two apartments) installations only. There is a 1-year guarantee for commercial use of glass-lined units, and a 2-year guarantee for commercial use of copper units.

A PRODUCT OF THERMA-FLOW, INC., WATERTOWN, MA

PHONE/FAX: 617-924-3877 • FAX: 617-924-7271 • TOLL FREE PHONE: 1-800-654-8045

E-MAIL/WEB SITE: sales@tfi-everhot.com • WEB SITE: www.tfi-everhot.com

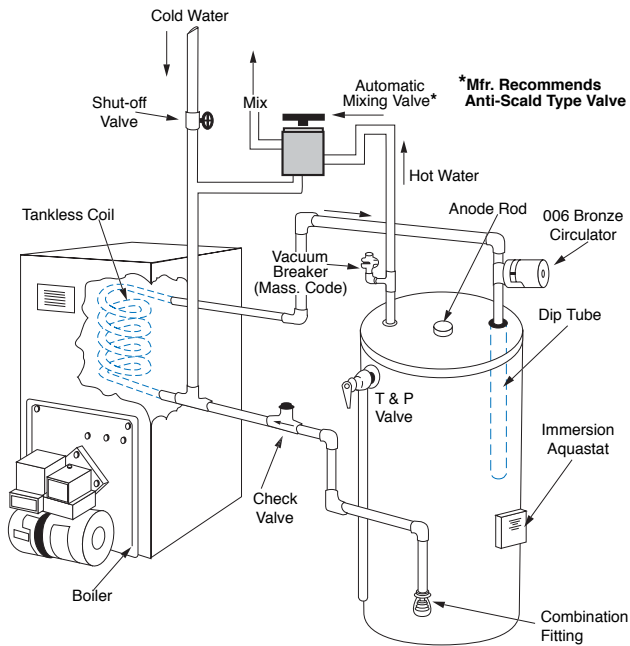
FACTORY: Therma-Flow, Inc. • 191 Arlington Street • Watertown, MA 02472

MAIL: P.O. Box 416 • Watertown, MA 02471-0416

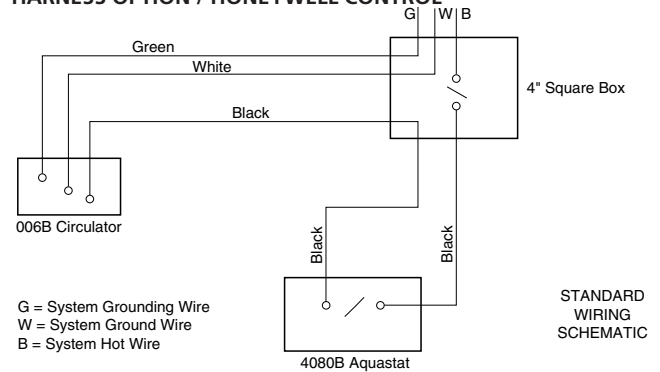


SPECIFICATIONS: Therma-Flow/Everhot Tankless Hot Water Boosters

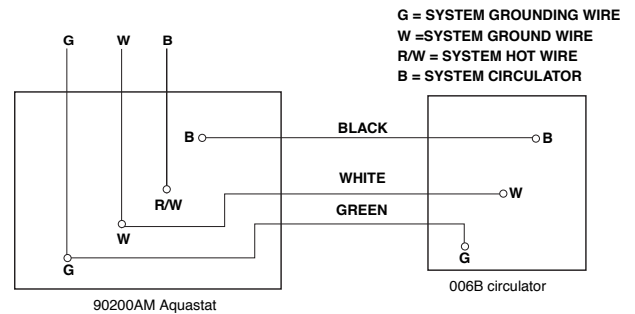
| MODEL | GLASS LINED, STEEL TANK (WB) | | | | | COPPER TANK | |
|------------------------------|------------------------------|----------|----------|----------|----------|-------------|---------|
| | WB-30 | WB-40 | WB-50 | WB-70 | WB-115* | BC-30 | BC-50 |
| CAPACITY - Gallons | 30 | 40 | 50 | 70 | 115 | 30 | 50 |
| JACKET DIAMETER | 18 in. | 16.5 in. | 20 in. | 22 in. | 26 in. | 18 in. | 20 in. |
| HEIGHT- (Overall) | 39 in. | 59 in. | 49 in. | 56 in. | 60 in. | 39 in. | 49 in. |
| SHIPPING WEIGHT | 100 lbs. | 115 lbs. | 135 lbs. | 175 lbs. | 250 lbs. | 175 lb. | 265 lb. |
| PUMP-Inlet Size/inches | 3/4 MPT | 3/4 MPT | 3/4 MPT | 1 MPT | 2" FPT | 3/4 MPT | 3/4 MPT |
| HOT WATER OUTLET SIZE/inches | 3/4 MPT | 3/4 MPT | 3/4 MPT | 1 MPT | 2" FPT | 3/4 MPT | 3/4 MPT |
| COMBIN. FITTING SIZE/inches | 3/4 MPT | 3/4 FPT | 3/4 FPT | 3/4 FPT | NA | 3/4 FPT | 3/4 FPT |
| TEST PRESSURE — PSI | 300 | 300 | 300 | 300 | 300 | 300 | 300 |
| WORKING PRESSURE — PSI | 150 | 150 | 150 | 150 | 150 | 150 | 150 |



WIRING SCHEMATIC USING THERMA-FLOW "QUICK CONNECT" HARNESS OPTION / HONEYWELL CONTROL



WIRING SCHEMATIC USING THERMA-FLOW "QUICK CONNECT" HARNESS OPTION / CARLIN CONTROL



PLEASE NOTE: Diagram represents piping for glass-lined units; piping arrangement for copper models will be slightly different.

*For Glass-Lined Model WB-115, the piping outlet locations are slightly different from those shown in the diagram.

PHONE/FAX: 617-924-3877 • FAX: 617-924-7271 • TOLL FREE PHONE: 1-800-654-8045

E-MAIL/WEB SITE: sales@tft-everhot.com • WEB SITE: www.tft-everhot.com

FACTORY: Therma-Flow, Inc. • 191 Arlington Street • Watertown, MA 02472 • MAIL: P.O. Box 416 • Watertown, MA 02471-0416