



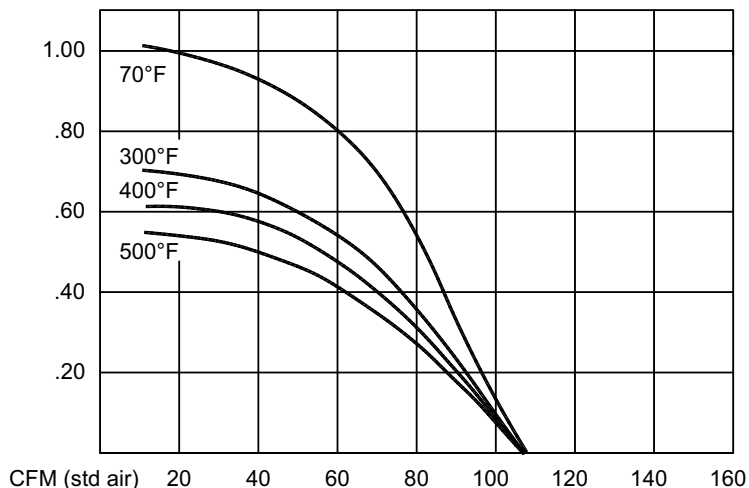
TJERNLUND PRODUCTS, INC.

1601 Ninth Street • White Bear Lake, MN 55110-6794
 PHONE (800) 255-4208 • (651) 426-2993 • FAX (651) 426-9547
 Visit our web site • www.tjernlund.com

HSJ POWER VENTER SPECIFICATIONS

Performance curves

Static pressure (inches H₂O) vs CFM (std. air) at selected flue gas temps.
 NOTE: TO ARRIVE AT TOTAL SYSTEM STATIC PRESSURE REFER TO CURVE
 AND ADD .38" TO COMPENSATE FOR VENT HOOD AND WIND RESISTANCE.



MODELS AND APPLICATION:

HSJ (Gas or Oil)

Used as a means of Side Wall Venting gas or oil appliances which require a Post Purge cycle. Used also to co-vent two gas heaters within combined BTU/hr. input listed below (requires accessory controls). Includes a Fan Proving Switch and the UC1 Universal Control for 24V, 115V or "dry contact" actuation. LED diagnostics and Pre / Post-purge options are standard with the UC1.



HSUL-J (Discontinued 8/05)

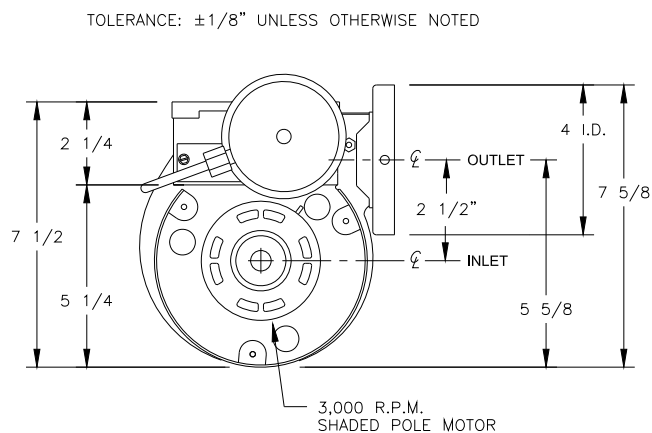
HS115-J & HST-J (Discontinued 7/02)

Replace above models with HSJ.

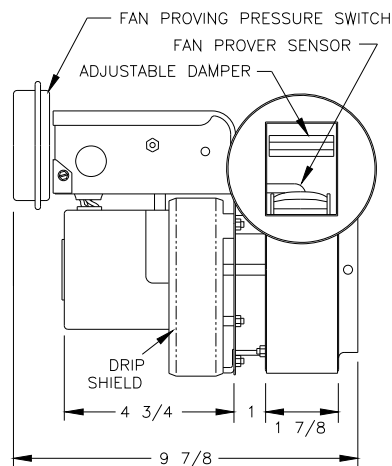
Note: Tjernlund Products, Inc. reserves the right to make changes to specifications without notification.

MOTOR ELECTRICAL DATA	
Volts	115
Hertz	60
RPM	3000
Watts	95
Amps	1.26
Therm. Prot.	Yes
MOTOR MECHANICAL DATA	
DESCRIPTION	
Shaded Pole	Yes
Open	Yes
Int. Fan Cooled	Yes
BEARINGS	
Type	Sleeve
Material	Sintered Iron
UC1 UNIVERSAL CONTROL	
Maximum Power Consumption 1/2 Amp @ 120 VAC 50/60 Hz + Venter motor load	
Pre-Purge: Options (0,15,30,60 seconds)	
Post-Purge: Factory set at 2 minutes Options (0,30 seconds; 1,2,4,8,16 minutes)	
Dimensions: 5" x 8" (2' electrical whip inc.)	
SAFETY / INTERLOCK	
Fan Proving Switch 5 VDC UC1 board supplied power switched through Fan Prover. UC1 burner / gas valve interlock rated for 1 H.P. @ 120 VAC.	

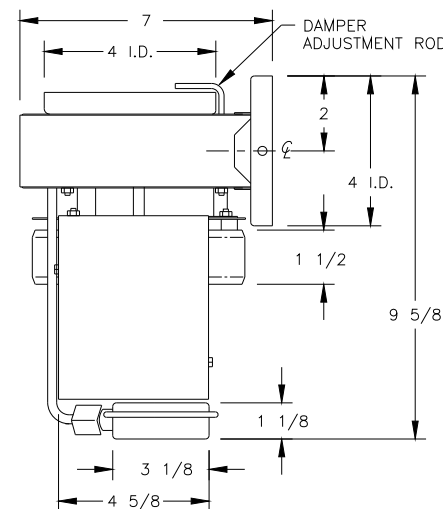
MODEL	VENT PIPE DIA.	BTU / HR INPUT	MAXIMUM PIPE LENGTH (FT) AT STACK TEMPERATURE		
			GAS FIRED		OIL FIRED
			300° F	400° F	500° F
HSJ	4"	50,000	100'	100'	100'
		75,000	100'	100'	100'
		100,000	100'	100'	--
		125,000	35'	23'	--



-SIDE VIEW-



-END VIEW-



-PLAN VIEW-



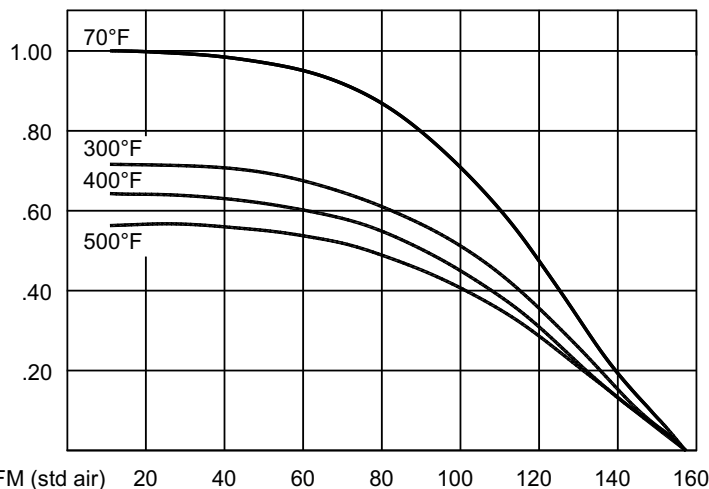
TJERNLUND PRODUCTS, INC.

1601 Ninth Street • White Bear Lake, MN 55110-6794
 PHONE (800) 255-4208 • (651) 426-2993 • FAX (651) 426-9547
 Visit our web site • www.tjernlund.com

HS1 POWER VENTER SPECIFICATIONS

Performance curves

Static pressure (inches H₂O) vs CFM (std. air) at selected flue gas temps.
 NOTE: TO ARRIVE AT TOTAL SYSTEM STATIC PRESSURE REFER TO CURVE
 AND ADD .38" TO COMPENSATE FOR VENT HOOD AND WIND RESISTANCE.



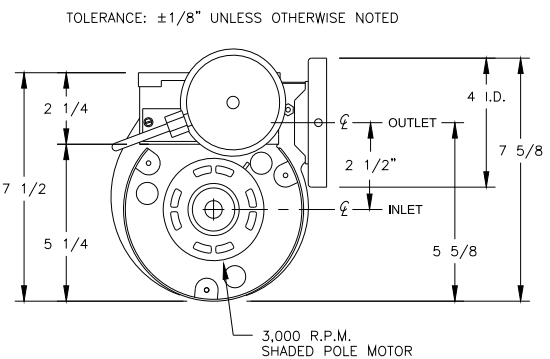
MOTOR ELECTRICAL DATA	
Volts	115
Hertz	60
RPM	3000
Watts	95
Amps	1.26
Therm. Prot.	Yes

MOTOR MECHANICAL DATA	
DESCRIPTION	
Shaded Pole	Yes
Open	Yes
Int. Fan Cooled	Yes

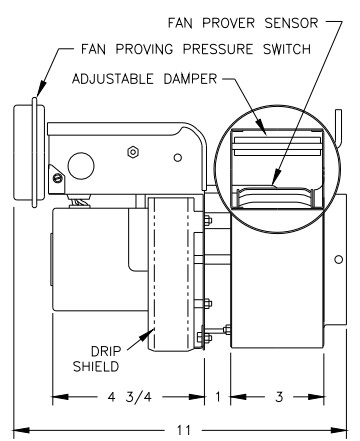
BEARINGS	
Type	Sleeve
Material	Sintered Iron

UC1 UNIVERSAL CONTROL	
Maximum Power Consumption 1/2 Amp @ 120 VAC 50/60 Hz + Venter motor load	
Pre-Purge: Options (0,15,30,60 seconds)	
Post-Purge: Factory set at 2 minutes Options (0,30 seconds; 1,2,4,8,16 minutes)	
Dimensions: 5" x 8" (2' electrical whip inc.)	

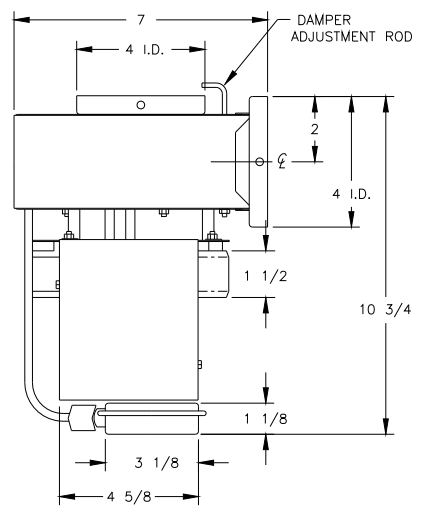
SAFETY / INTERLOCK	
Fan Proving Switch	
5 VDC UC1 board supplied power switched through Fan Prover. UC1 burner / gas valve interlock rated for 1 H.P. @ 120 VAC.	



-SIDE VIEW-



-END VIEW-



-PLAN VIEW-

MODELS AND APPLICATION:

HS1 (Gas or Oil)
 Used as a means of Side Wall Venting gas or oil appliances which require a Post Purge cycle. Used also to co-vent multiple heaters within combined BTU/hr. input listed below (requires accessory controls). Includes a Fan Proving Switch and the UC1 Universal Control for 24V, 115V or "dry contact" actuation. LED diagnostics and Pre / Post-purge options are standard with the UC1.



HSUL-1 (Discontinued 8/05)
HS115-1 & HST-1 (Discontinued 7/02)
 Replace above models with HS1.

Note: Tjernlund Products, Inc. reserves the right to make changes to specifications without notification.

MODEL	VENT PIPE DIA.	BTU / HR INPUT	MAXIMUM PIPE LENGTH (FT) AT STACK TEMPERATURE		
			GAS FIRED		OIL FIRED
			300° F	400° F	500° F
HS1	4"	150,000	100'	60'	35'
		200,000	87'	57'	27'
		250,000	40'	12'	--
	300,000	4'	--	--	
	6"	150,000	100'	100'	100'
		200,000	100'	100'	100'
250,000		100'	92'	--	
300,000	30'	--	--		



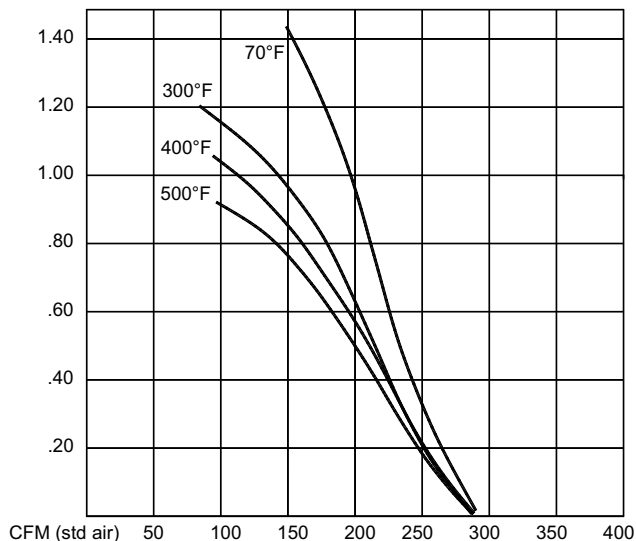
TJERNLUND PRODUCTS, INC.

1601 Ninth Street • White Bear Lake, MN 55110-6794
 PHONE (800) 255-4208 • (651) 426-2993 • FAX (651) 426-9547
 Visit our web site • www.tjernlund.com

HS2 POWER VENTER SPECIFICATIONS

Performance curves

Static pressure (inches H₂O) vs CFM (std. air) at selected flue gas temps.
 NOTE: TO ARRIVE AT TOTAL SYSTEM STATIC PRESSURE REFER TO CURVE AND ADD .38" TO COMPENSATE FOR VENT HOOD AND WIND RESISTANCE.



MOTOR ELECTRICAL DATA	
Volts	115
Hertz	60
RPM	3300
Watts	224
Amps	1.51
Therm. Prot.	Yes

MOTOR MECHANICAL DATA	
DESCRIPTION	
Perm. Split Cap	Yes
Open	Yes
Int. Fan Cooled	Yes

BEARINGS	
Type	Sleeve
Material	Sintered Iron

UC1 UNIVERSAL CONTROL	
Maximum Power Consumption 1/2 Amp @ 120 VAC 50/60 Hz + Venter motor load	
Pre-Purge: Options (0,15,30,60 seconds)	
Post-Purge: Factory set at 2 minutes Options (0,30 seconds; 1,2,4,8,16 minutes)	
Dimensions: 5" x 8" (2' electrical whip inc.)	

SAFETY / INTERLOCK	
Fan Proving Switch	
5 VDC UC1 board supplied power switched through Fan Prover. UC1 burner / gas valve interlock rated for 1 H.P. @ 120 VAC.	

MODELS AND APPLICATION:

HS2 (Gas or Oil)

Used as a means of Side Wall Venting gas or oil appliances which require a Post Purge cycle. Used also to co-vent multiple heaters within combined BTU/hr. input listed below (requires accessory controls). Includes a Fan Proving Switch and the UC1 Universal Control for 24V, 115V or "dry contact" actuation. LED diagnostics and Pre / Post-purge options are standard with the UC1.



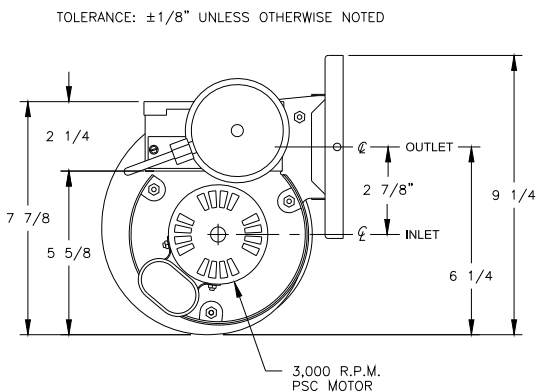
HSUL-2 (Discontinued 8/05)

HS115-2 & HST-2 (Discontinued 7/02)

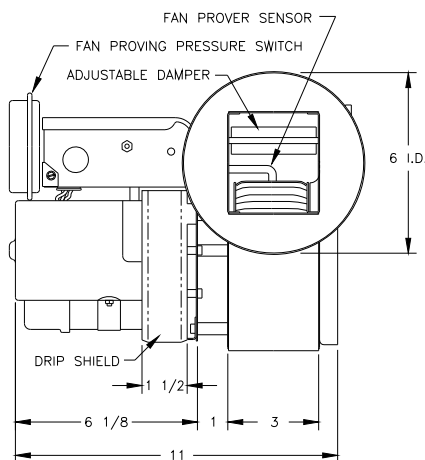
Replace above models with HS2.

Note: Tjernlund Products, Inc. reserves the right to make changes to specifications without notification.

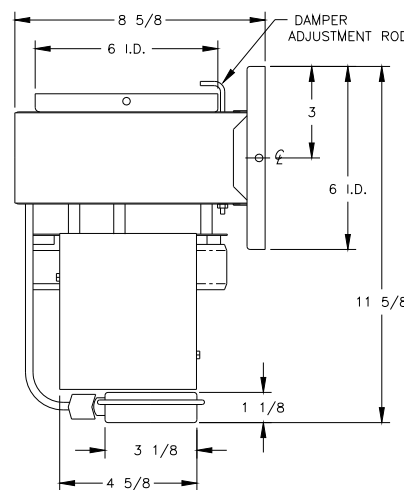
MODEL	VENT PIPE DIA.	BTU / HR INPUT	MAXIMUM PIPE LENGTH (FT) AT STACK TEMPERATURE		
			GAS FIRED		OIL FIRED
			300° F	400° F	500° F
HS2	6"	350,000	100'	100'	100'
		400,000	100'	100'	100'
		450,000	100'	100'	67'
		500,000	100'	72'	--
		550,000	94'	--	--
	600,000	15'	--	--	
	8"	350,000	100'	100'	100'
		400,000	100'	100'	100'
		450,000	100'	100'	100'
		500,000	100'	100'	--
550,000		100'	--	--	
600,000	67'	--	--		



-SIDE VIEW-



-END VIEW-



-PLAN VIEW-

TOLERANCE: ±1/8" UNLESS OTHERWISE NOTED

3,000 R.P.M.
PSC MOTOR