



**Request a FREE  
Sample Kit Today!**

Call: 888.443.3999  
Email: [info@hangerlok.com](mailto:info@hangerlok.com)  
Visit: [www.hangerlok.com](http://www.hangerlok.com)

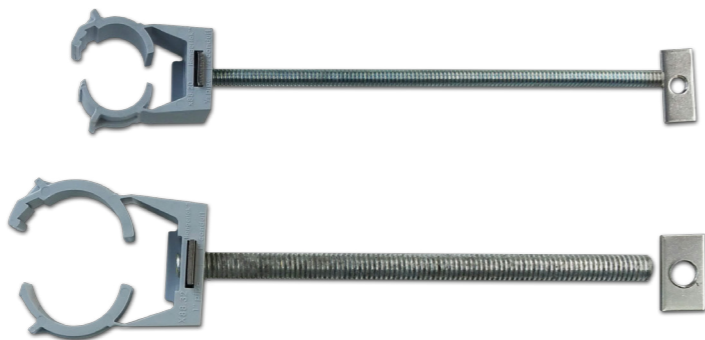
**HangerLoK**<sup>®</sup>  
one level up

**“Build a better  
building.”**

PROUDLY MADE IN THE  
**USA**

**For plumbing, engineered piping,  
hydronics & HVAC/R**

Litchfield International - 457 Bantam Road #12, Litchfield CT 06759



**Get your FREE sample kit!**  
**Call: 888.443.3999**

"Build a better building."

**Benefits:**

- Corrosion Resistant
- UV Treated
- UL approved 2239
- Plenum approved
- Allows expansion and contraction
- Prefabrication and auto-locking
- Versatile

PROUDLY MADE IN THE  
**USA**

Visit us: [www.hangerlok.com](http://www.hangerlok.com) | Request a FREE sample kit: 888.443.3999

2

**CUSTOMER SERVICE: 888.443.3999 - ORDER FAX LINE: 877.348.7141 - EMAIL ORDERS: [ORDERS@LITCHFIELDINTERNATIONAL.COM](mailto:ORDERS@LITCHFIELDINTERNATIONAL.COM)**

## About Us

Litchfield International is a private Connecticut based company located in Litchfield CT. In 1984 the company introduced the first thermoplastic support and hanger product in the United States. To fulfill the company mission, it developed the Hangerlok line of supports and hangers for the major construction and engineering markets. *"The better way forward."*

Hangerlok is made to exceed your expectations. Engineered to perform on the job and in design. Get your free sample kit or custom kits for needed individual sizes. **Call 888.443.3999 today.**

## Important Links

**Hangerlok** · [www.hangerlok.com](http://www.hangerlok.com)

**Hangerlok for Distributors** · [www.whyhangerlok.com](http://www.whyhangerlok.com)

**Hangerlok for Contractors** · [www.hangerlokcontractors.com](http://www.hangerlokcontractors.com)

**Hangerlok for Engineers** · [www.hangerlokengineers.com](http://www.hangerlokengineers.com)

**Hangerlok for Transit** · [www.hangerloktransit.com](http://www.hangerloktransit.com)

**Hangerlok Markets** · [www.hangerlokmarkets.com](http://www.hangerlokmarkets.com)



**Hangerlok Facebook** · [facebook.com/hangerlok](https://facebook.com/hangerlok)



**Hangerlok YouTube** · [youtube.com/hangerlok](https://youtube.com/hangerlok)

15

**CUSTOMER SERVICE: 888.443.3999 - ORDER FAX LINE: 877.348.7141 - EMAIL ORDERS: [ORDERS@LITCHFIELDINTERNATIONAL.COM](mailto:ORDERS@LITCHFIELDINTERNATIONAL.COM)**

## Corporate Office

No shipments of goods please.

Litchfield International, Inc.

457 Bantam Road #12

Litchfield, CT 06759

Phone: 860.567.8824

## Shipment & Returns

Litchfield Internatoinal

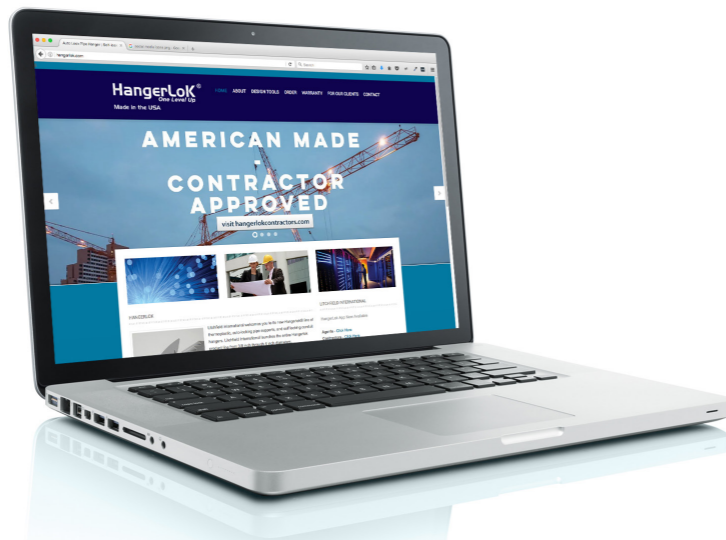
c/o Singular Manufacturing

170 West Road. #3

Portsmouth, NH 03801

Tel: (603) 427-1400

E-Mail: Info@Singular-mfg.com



## Why Hangerlok for Plumbing?

With over 30 years of experience in the industry, Litchfield International is the pioneer of corrosion resistant, durable plastic hanging solutions.

## Our Products Include:

Hangerlok sizes: 3/8- 4 inches // LT85 Spacer LT45 Spacer // LT 109 Strutcatcher // Flanges

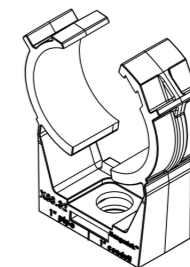
## Applications:

PVC, CPVC, Copper Tubing, Stainless steel tubing, Pex systems, Polypropylene, Rigid PP, PVDF

Made in the USA

Anchors not supplied by Litchfield International  
See all technical drawings on [hangerlok.com](http://hangerlok.com)

## #32 and #113



#32



#113

14

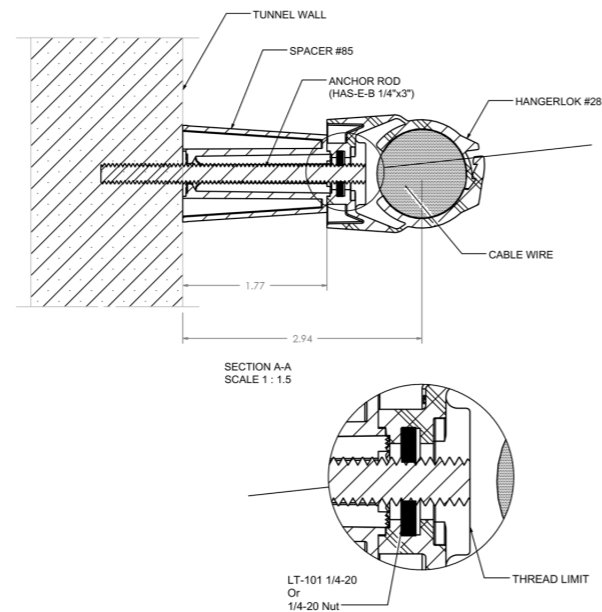
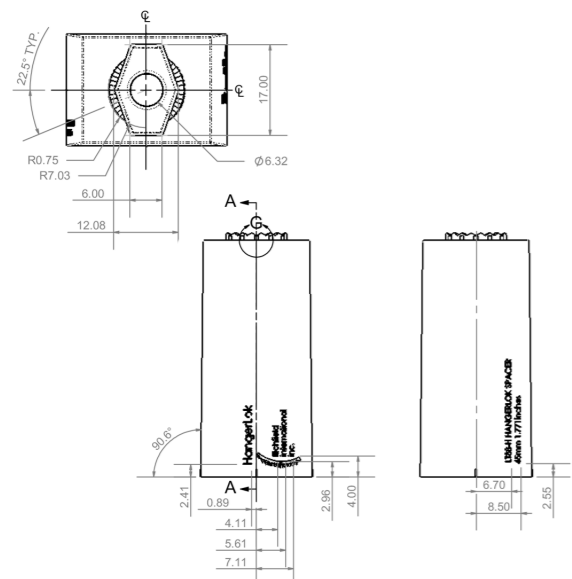
CUSTOMER SERVICE: 888.443.3999 - ORDER FAX LINE: 877.348.7141 - EMAIL ORDERS: [ORDERS@LITCHFIELDINTERNATIONAL.COM](mailto:ORDERS@LITCHFIELDINTERNATIONAL.COM)

3

CUSTOMER SERVICE: 888.443.3999 - ORDER FAX LINE: 877.348.7141 - EMAIL ORDERS: [ORDERS@LITCHFIELDINTERNATIONAL.COM](mailto:ORDERS@LITCHFIELDINTERNATIONAL.COM)



## LT45 Spacer and Pipe Run



4

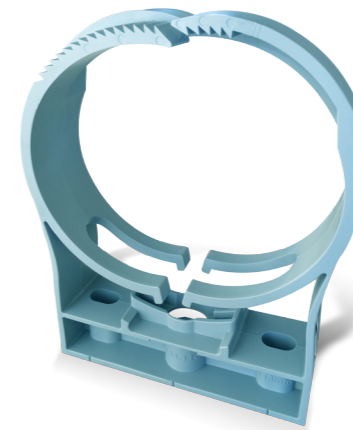
CUSTOMER SERVICE: 888.443.3999 - ORDER FAX LINE: 877.348.7141 - EMAIL ORDERS: [ORDERS@LITCHFIELDINTERNATIONAL.COM](mailto:ORDERS@LITCHFIELDINTERNATIONAL.COM)

## Material & UL Information

Hangerlok is made from a nylon 6/6 V2 polymer. The resin was invented for use with cable ties which see the most challenging environmental applications. request a datasheet.

**UL2239 with plenum approved**

**Case File: E362799** march 2014



**HangerLok**<sup>®</sup>  
one level up

### Benefits:

- Corrosion Resistant
- UV Treated
- UL approved 2239
- Plenum approved
- Allows expansion and contraction
- Prefabrication and auto-locking
- Versatile

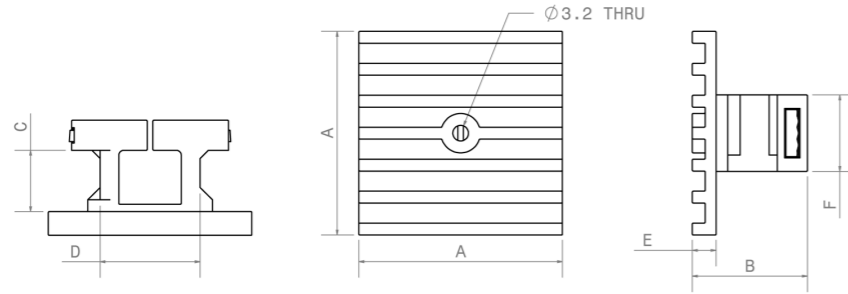
Litchfield International  
457 Bantam Road  
Litchfield CT 06759  
888.443.3999

PROUDLY MADE IN THE  
**USA**

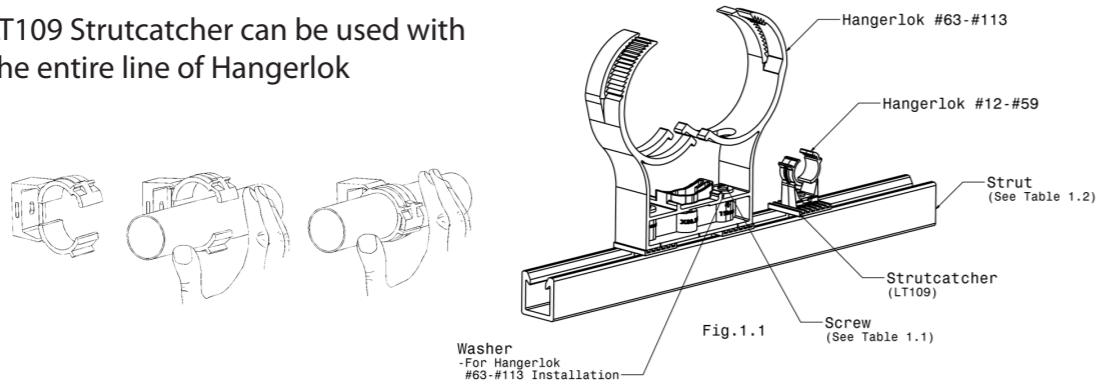
B

CUSTOMER SERVICE: 888.443.3999 - ORDER FAX LINE: 877.348.7141 - EMAIL ORDERS: [ORDERS@LITCHFIELDINTERNATIONAL.COM](mailto:ORDERS@LITCHFIELDINTERNATIONAL.COM)

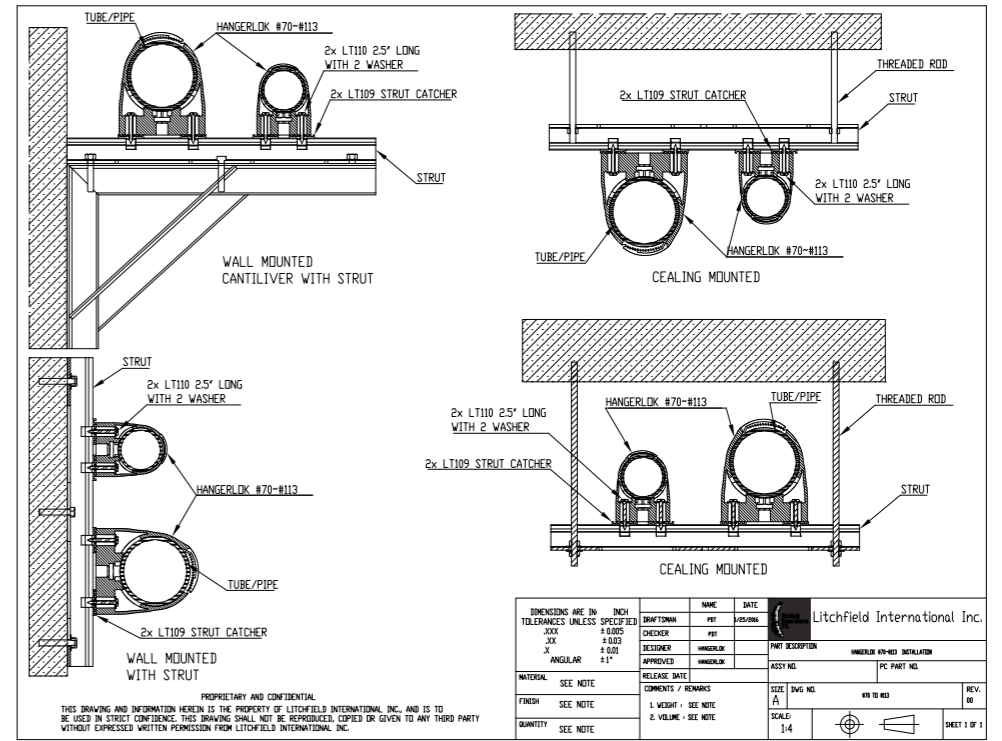
# Attachment to Strut Systems



LT109 Strutcatcher can be used with the entire line of Hangerlok



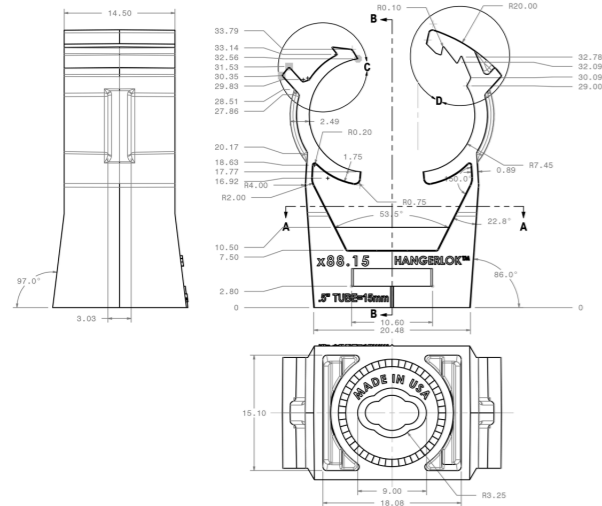
# Installation Drawings



DIMENSIONS ARE IN INCH TOLERANCES UNLESS SPECIFIED		NAME		DATE	
XXX	± 0.005	DRAFTSMAN	PKT	DESIGNED	
XX	± 0.003	CHECKER	PKT		
X	± 0.01	DESIGNER	HANGERLOK	PART DESCRIPTION	HANGERLOK #70-#113 INSTALLATION
ANGULAR	± 1°	APPROVED	HANGERLOK	ASSY. NO.	PC PART NO.
MATERIAL	SEE NOTE	RELEASE DATE		SIZE (DWG NO.)	REV. NO.
FINISH	SEE NOTE	COMMENTS / REMARKS		A	470 TO 483
QUANTITY	SEE NOTE	1. WEIGHT - SEE NOTE		SCALE	00
		2. VOLUME - SEE NOTE		1:4	

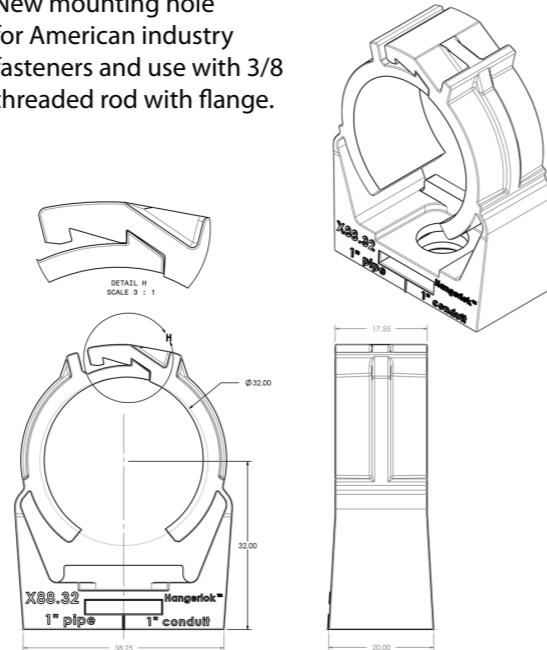
PROPRIETARY AND CONFIDENTIAL  
THIS DRAWING AND INFORMATION HEREON IS THE PROPERTY OF LITCHFIELD INTERNATIONAL, INC. AND IS TO BE USED IN STRICT CONFIDENCE. THIS DRAWING SHALL NOT BE REPRODUCED, COPIED OR GIVEN TO ANY THIRD PARTY WITHOUT EXPRESSED WRITTEN PERMISSION FROM LITCHFIELD INTERNATIONAL, INC.

# Hangerlok 88.15



# #32

New mounting hole for American industry fasteners and use with 3/8 threaded rod with flange.



# Products & Accessories

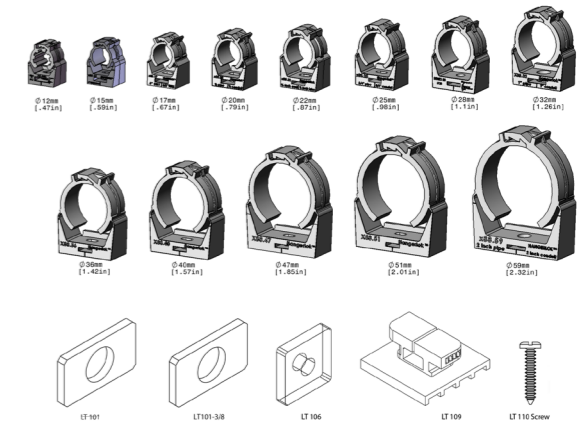
## Clamping Chart

A CLAMPING DIAMETER max.	X88.XX	B max.	C max.	D max.	E
0.563	#12	0.93	0.72	1.18	0.80
0.661	#15	0.93	0.73	1.20	0.80
0.768	#17	1.06	0.87	1.39	0.69
0.866	#20	1.16	0.93	1.55	0.98
0.898	#22	1.38	0.98	1.61	1.14
1.094	#25	1.41	1.06	1.78	1.20
1.229	#28	1.56	1.13	1.93	1.31
1.398	#32	1.76	1.27	2.14	1.50
1.555	#36	1.93	1.35	2.34	1.65
1.713	#40	2.09	1.43	2.53	1.82
1.988	#47	2.51	1.60	2.87	2.11
2.185	#51	2.64	1.74	3.10	2.31
2.520	#59	3.01	1.91	3.47	2.61

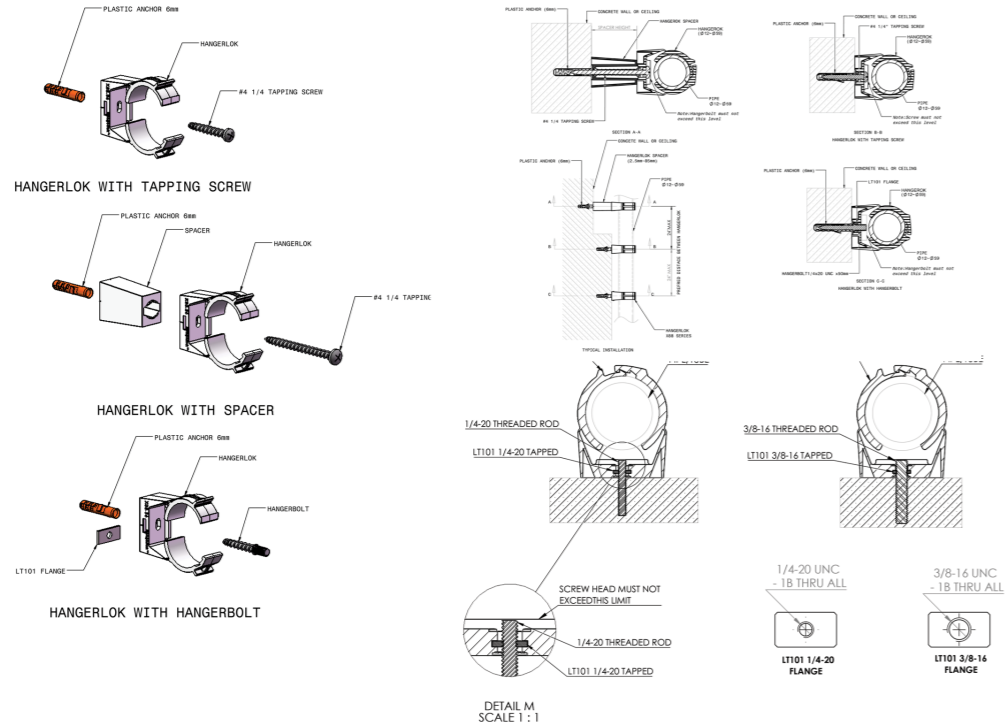
X88 SERIES	A		B	C	D	E	F	G	H	STATIC LOAD (LBS)	
	Inches	MM								Fy	Fx
71-80	2.80	71	2.85	4.53	3.12	1.57	3.43	2.31	0.61	1800	1000
	3.15	80	3.02	4.90	3.49						
80-90	3.15	80	3.04	4.94	3.53	1.57	3.86	2.51	0.65	2200	1300
	3.54	90	3.54	5.32	3.91						
113-127	4.45	113	4.45	6.54	4.87	1.57	5.47	3.98	0.69	3500	2300
	5.00	127	5.00	7.11	5.57						

For sizing and applications of conduit, pipe, cable, and tube see hangerlok website. Information is on charts and also on resale sheet #17.

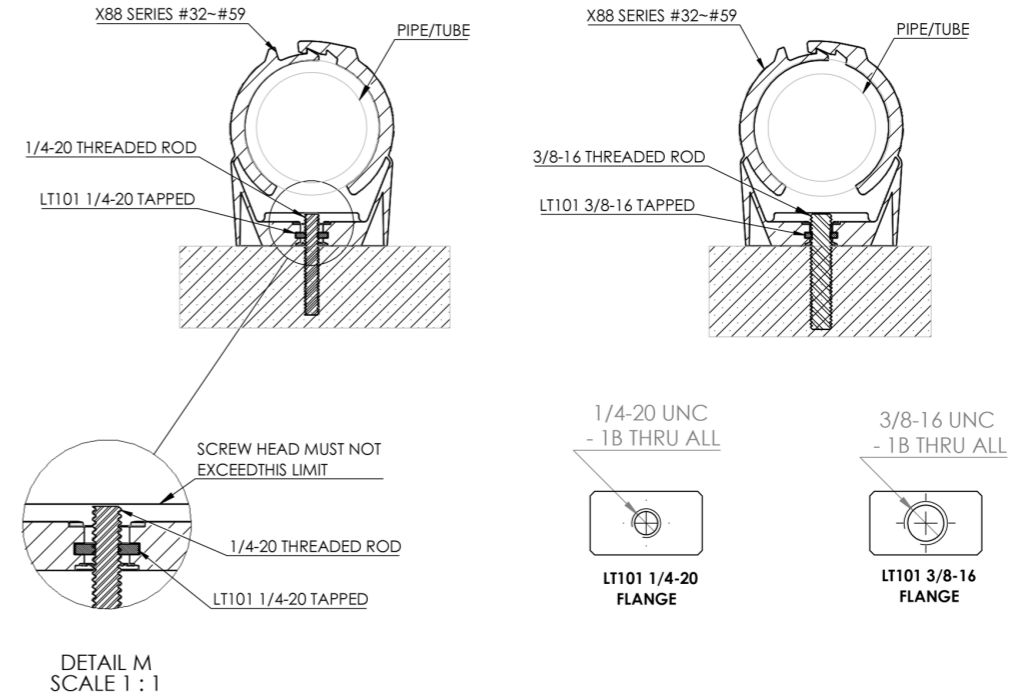
## Hangerlok Technical Drawings



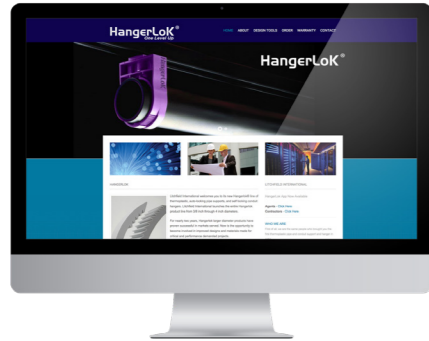
## Hangerlok Installation Methods (Diagrams)



## Hangerlok #32-#59 Installation Drawings



## Web Tools



### Here is what you can do at the site:

New full color page brochure technical drawings and cut sheets option to request

all products in several formats:

- 2D PDF
- 3D Solidworks Models
- [Need the solidworks viewer download]
- IGES Format
- STEP Format
- Markets Served

### See the Movies:

- How HangerLok Works
- Strut Prefabrication
- Small HangerLok Installation
- Larger HangerLok Installation
- Build a HangerLok in Solidworks [40 seconds]

How to order and carton quantity  
Customer service and order entry information  
Technical Support  
Contact Information  
Shipping and Administration  
Company History and Management  
Who We Are

Retail Price Sheet #17 and Application Chart  
HangerLok Launch Kit  
Request a HangerLok Welcome Kit  
Use the dynamic form for your FREE Kit  
Additional Information:  
The company will continue to add pertinent product information

## Hangerlok Installation Methods

### Hangerlok products can be used in many installation methods to include:

- Surface supports
- Threaded rod hangers for use with both 1/4" threaded rod and 3/8 inch threaded rod

### Use proprietary flanges:

LT101, LT101-1/4 [to use #10 screws for mounting larger mounting hole on #32,36,40,47,51,59, LT101-3/8 inch, & LT106 [tapped 3/8 inch]

### See parts under cut sheet and accessories:

Strut hanger with LT109 Strutcatcher products. See hangerlok.com for large size hangerlok installation drawings, fasteners, & sample requests

### Mounting Holes #32-59

see LOK screws as option

### Spacer or adjustment hangers:

[see spacer assembly drawings and individual spacers]

### Fasteners:

Fasteners are decided upon the mounting surface. Hangerlok can be installed on all types of mounting surfaces, wood, concrete, steel, masonry. Hangerlok sizes #8-#59 have a bridge on one side of the base of each unit. Fastener head must be even or below this bridge to allow tubular member to engage the jaws of the product.

8

CUSTOMER SERVICE: 888.443.3999 - ORDER FAX LINE: 877.348.7141 - EMAIL ORDERS: [ORDERS@LITCHFIELDINTERNATIONAL.COM](mailto:ORDERS@LITCHFIELDINTERNATIONAL.COM)

9

CUSTOMER SERVICE: 888.443.3999 - ORDER FAX LINE: 877.348.7141 - EMAIL ORDERS: [ORDERS@LITCHFIELDINTERNATIONAL.COM](mailto:ORDERS@LITCHFIELDINTERNATIONAL.COM)