

Williamson

GWA

Series 3

Factory-Packaged

38,000 to 233,000 Btuh Input

Natural Gas or Propane

Atmospheric (chimney) Venting



Gas-Fired Water Boiler

- ❑ Low water cut-off included
- ❑ Inferred heat program providing automatic adjustment of boiler water temperature to match demand
- ❑ Spark (intermittent) pilot system
- ❑ Control module with indicator lights
- ❑ Easy service
 - One-piece access door
 - All controls in easy reach
- ❑ High efficiency
 - Flue baffles
 - Stainless steel burners
 - Automatic vent damper
- ❑ Cast iron sections with built-in air separator
- ❑ Insulated heavy-gauge steel jacket



Williamson

RATINGS

Model	Input (Btuh)	AHRI Certified Ratings			Boiler water content (gallons)	Chimney and breeching size	Circulator flange size (Recommended supply & return pipe size, NPT)
		Heating Capacity (Btuh) (1)	Net Ratings (Btuh) (2)	AFUE % (1)			
GWA-038	38,000	32,000	27,000	84.0 %	1.5	4" I.D. x 20"	3/4"
GWA-067	67,000	56,000	48,000	84.0%	1.5	4" I.D. x 20"	1"
GWA-100	100,000	85,000	73,000	84.0%	2.1	5" I.D. x 20"	1"
GWA-133	133,000	113,000	98,000	84.0%	2.7	6" I.D. x 20"	1"
GWA-166	166,000	141,000	122,000	84.0%	3.3	6" I.D. x 20"	1 1/4"
GWA-200	200,000	170,000	147,000	84.0%	3.8	7" I.D. x 20"	1 1/4"
GWA-233	233,000	198,000	172,000	84.0%	4.4	7" I.D. x 20"	1 1/2"

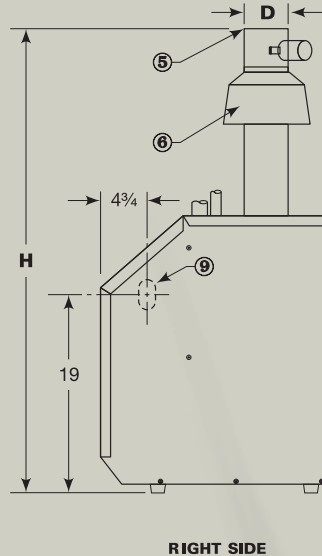
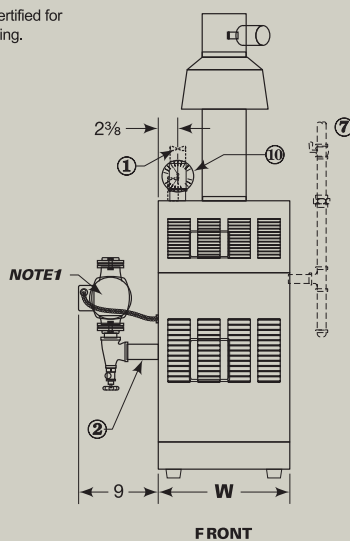
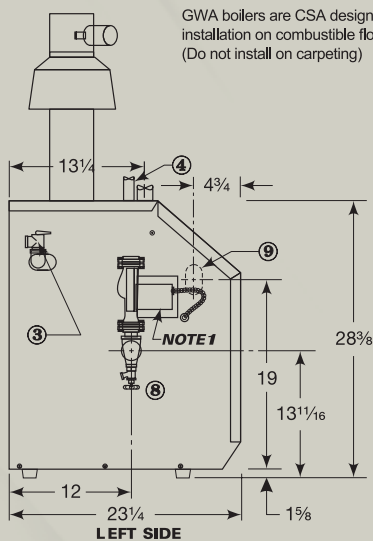
1. Based on standard test procedures prescribed by the United States Department of Energy.
 2. Net AHRI ratings are based on net installed radiation of sufficient quantity for the requirements of the building and nothing need be added for normal piping and pickup. Ratings are based on a piping and pickup allowance of 1.15. An additional allowance should be made for unusual piping and pickup loads.

* Contact your local dealer regarding information and parts for high altitude applications.

DIMENSIONS

ALL DIMENSIONS IN INCHES

GWA boilers are CSA design certified for installation on combustible flooring. (Do not install on carpeting)



Boiler Model	Dimensions		
	W Width	H Height over vent damper	D Flue diameter
GWA-038	10	45 3/8	4
GWA-067	10	52 3/8	4
GWA-100	13	54 3/8	5
GWA-133	16	57 7/8	6
GWA-166	19	60 7/8	6
GWA-200	22	62 1/8	7
GWA-233	25	64 7/8	7

- ① Supply piping (Note 1)
- ② Return piping (Note 1)
- ③ Relief valve, 3/4" NPT
- ④ 1/2" NPT to expansion tank/air vent
- ⑤ Vent connection to vent damper
- ⑥ Draft hood
- ⑦ Gas supply piping
- ⑧ Drain valve
- ⑨ Gas supply entrance (right or left side)
- ⑩ Pressure/temperature gauge

Note 1: Boiler supply and return tappings are 1 1/4" NPT. Circulator flanges shipped with boiler are sized to recommended pipe size listed in RATINGS table, above.

Boiler circulator is shipped loose. Circulator may be mounted on either boiler supply or return piping.

EQUIPMENT

- Factory tested
- Insulated heavy-gauge steel jacket
- Cast iron sections with built-in air separator
- Vertical draft hood
- Electrical junction box
- 24-VAC combination gas valve
- Combination relay receptacle and 40VA transformer and plug-in circulator relay
- Taco 007 circulator
- Stainless steel burners
- High temperature limit control
- Automatic vent damper
- 30 PSIG ASME relief valve
- Combination pressure/temperature gauge
- Spark-ignited (intermittent) pilot system
- Electronic ignition/flame supervisory control
- Low water cut-off included for field installation



In the interest of continual improvement in product and performance, Williamson reserves the right to change specifications without notice.



Williamson

N93 W14635 Whittaker Way, Menomonee Falls, WI 53051

www.williamson-thermoflo.com

Form No. W-001 (04/20)