

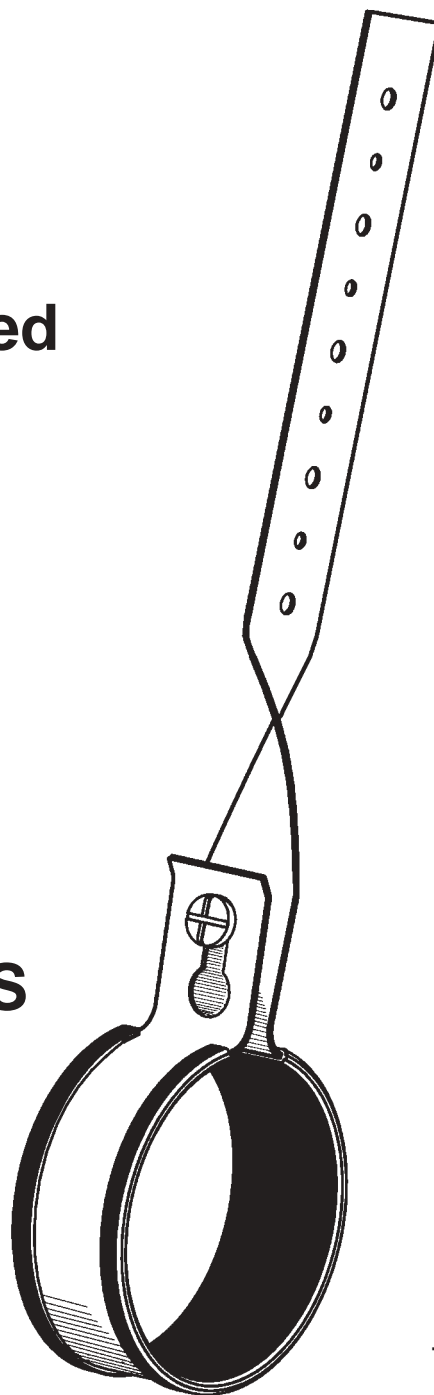
NO. **718**



Established in 1946

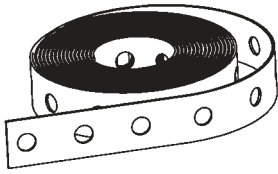
**Proudly
Manufactured
in the USA**

**SOLD ONLY
THROUGH
WHOLESALEERS**

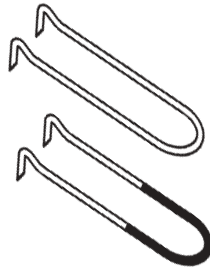


www.gfm.biz
Philadelphia, PA

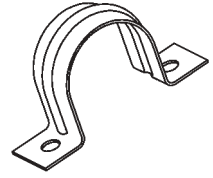
tel: 215-535-4141
fax: 215-537-5161



Strapping
page 1



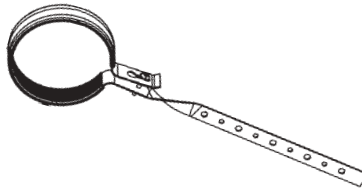
Hooks
page 2



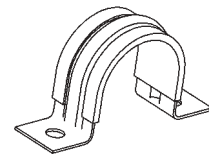
2 Hole Straps
page 3,4



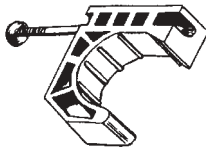
1 Hole Straps
page 3,4



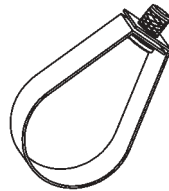
Greenfield Hangers
page 5



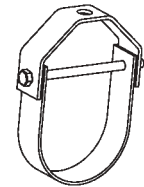
Plastic Coated Hangers
page 6



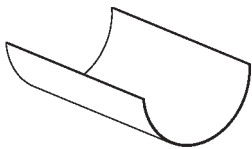
Plastic Clamps
page 7



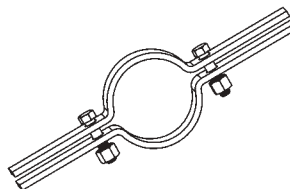
Swivels
page 8



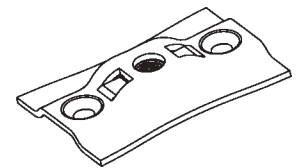
Clevis Hangers
page 9



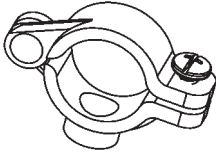
Shields
page 10



Riser Clamps
page 10



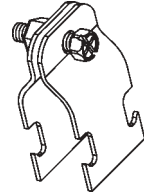
Bowtie Flanges
page 11



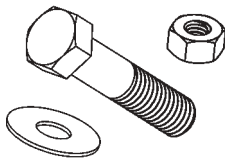
Split Ring Hangers
page 11



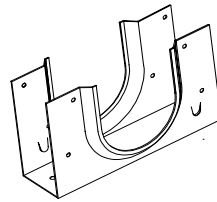
Beam Clamps
page 12



Strut Hardware
page 13-14



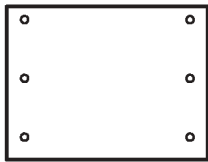
Hardware
page 15-16



Stud Shoe
page 18



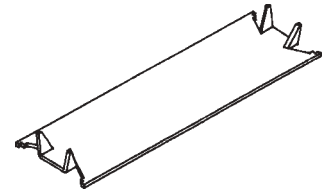
16 Hole Plates
page 18



Protector/BOCA Plates
page 19



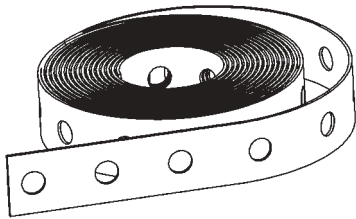
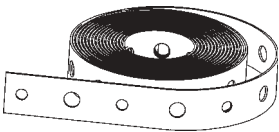
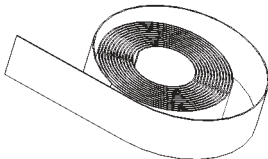
FHA Plates
page 19



Stud Guards
page 20

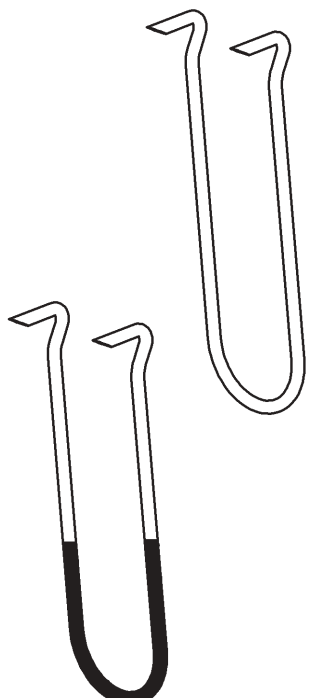
Perforated Hanger Strapping

List Price per Coil

	Width X Gauge	Wt / Mft	List Price per Coil		
			Bulk 10 ft	Boxed 50 ft	Boxed 100 ft
Galvanized 1/4 bolt holes  fig. 971	3/4 X 28	38	1.40	8.35	15.60
	3/4 X 24	58	1.65	9.60	18.15
	3/4 X 22	72	1.90	10.85	20.60
	3/4 X 20	80	2.15	12.20	23.35
	3/4 X 18	110	4.95	---	---
	1 X 14	220	13.10	20 pcs per Bndl	
	1-1/4 X 12	400	20.65	10 pcs per Bndl	
Steel Plain 1/4 bolt holes fig. 970	3/4 X 24	58	1.60	9.25	17.45
	3/4 X 20	80	1.85	10.80	20.50
Galvanized Duct Tape Alternate bolt and nail holes  fig. 101	3/4 X 28	38	1.40	8.35	15.60
	3/4 X 24	58	1.65	9.60	18.10
	3/4 X 22	72	1.90	10.85	20.60
Copperclad fig. 972	3/4 X 24	58	3.65	19.65	39.35
Pure Copper fig. 974	3/4 X 22	80	24.95	124.70	25' = 62.35
Stainless fig. 975	3/4 X 22	72	14.45	72.20	---
Plastic - polypropylene fig. 102	3/4 X .050	15	See page 7.		
No Hole Strapping (Duct Strap)  fig. 106	1 X 30	4.6 ea	---	---	15.75
	1-1/2 X 30	6.9 ea	---	---	23.65
	1 X 26	6.4 ea	---	---	19.65
	1-1/2 X 26	9.6 ea	---	---	28.85
	2 X 26	12.8 ea	---	---	38.00
	1 X 22	10.8 ea	---	---	23.60

Packaging: 500 Ft / Ctn ; 20 ga - 10 Ft packed 25 rolls / ctn

Tube & Pipe Hooks

		Size X Length	List Price Each		
			Pipe Bright Steel	Copper Tube Copper-clad	Plastic Coated
Bright Steel fig. 197 Copperclad fig. 198 Plastic Coated fig. 199		1/2 X 4	.25	.29	.87
		3/4 X 4	.25	.29	.87
		1 X 4	.25	.29	.87
		1/2 X 6	.28	.32	.92
		3/4 X 6	.28	.32	.92
		1 X 6	.28	.32	.92
		1-1/4 X 6	.45	.32	1.70
		1-1/2 X 6	.45	.53	1.70
		2 X 6	.45	.53	1.70
		1/2 X 8	.33	.40	1.33
		3/4 X 8	.33	.40	1.33
		1 X 8	.33	.40	1.33
		1-1/4 X 8	.54	.40	2.25
		1-1/2 X 8	.54	.57	2.25
		2 X 8	.54	.57	2.25

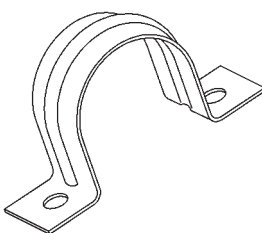
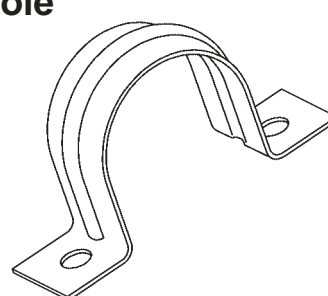
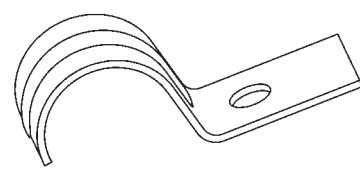

Weight Per Ctn. (500 Hooks) :

4" - 25 lbs
 6" - 32 lbs
 8" - 40 lbs

Packaging: 50 Hooks per box - 500/ctn

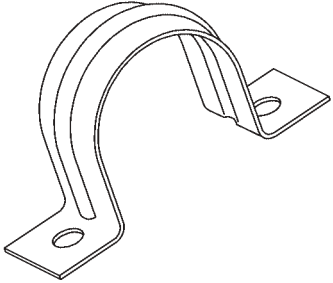
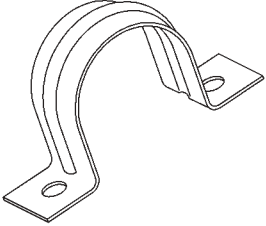
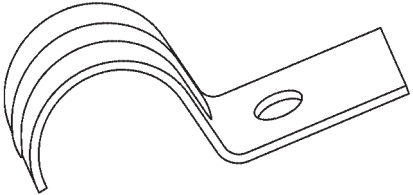
For plastic coated steel pipe hooks order Tube hook of next larger size
 Example: For 3/4 X 6 pipe - use 1 X 6 tube

Copper Tube Straps

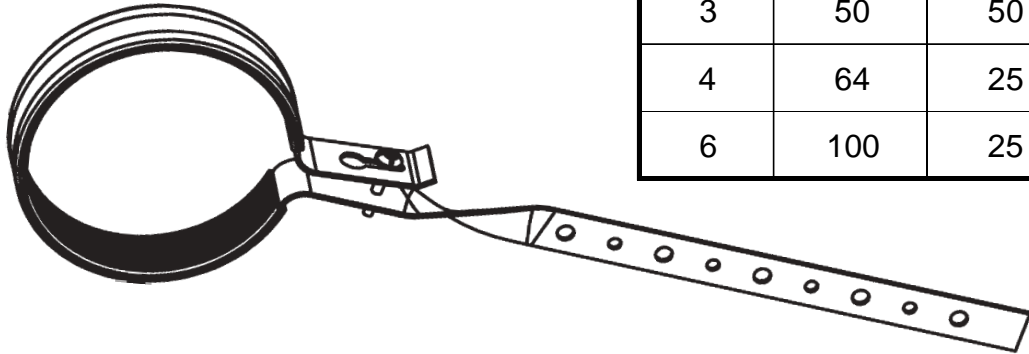
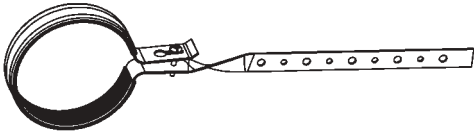
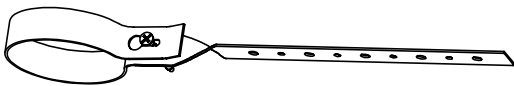
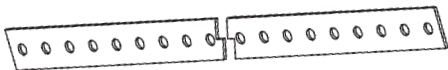
	Size	Weight Per 1000	Quantity Box / Ctn	List Price Each
Copperclad, Two Hole  fig. 500	1/4	6.5	100/2M	.079
	3/8	7	100/2M	.082
	1/2	7.6	100/2M	.082
	3/4	11	100/1M	.091
	1	14	100	.131
	1-1/4	35	100	.250
	1-1/2	45	100	.322
	2	50	100	.355
Copper Plated Nails fig. 509	13 GA X 1	2.3	200 / Bag	.019
Pure Copper, Two Hole  2-1/2" - 4" available upon request fig. 503	1/8	6	100/1M	.26
	1/4	6	100/1M	.26
	3/8	7	100/1M	.26
	1/2	8	100/1M	.28
	3/4	11	100/1M	.33
	1	14	100/1M	.50
	1-1/4	35	25	1.05
	1-1/2	45	25	1.25
	2	50	25	1.50
Copperclad, One Hole  fig. 510	1/8	13	100/2M	.22
	1/4	15	100/1M	.22
	3/8	20	100/1M	.22
	1/2	25	100/1M	.24
	3/4	55	100/1M	.26
	1	67	100	.50
	1-1/4	85	50	1.06
	1-1/2	125	50	1.18
	2	200	50	1.38
J-TubeNailer Copperclad * one nailer for both sizes  fig. 540	1/2 & 3/4*	19	100/2M	.19

Pipe Straps

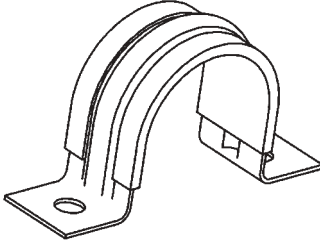
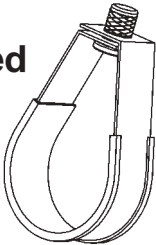
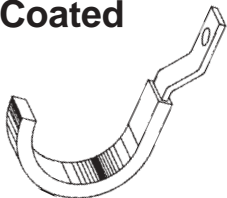
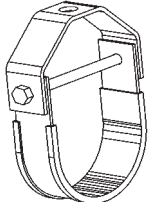
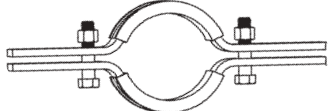
EMT Straps

	Size Inches	Weight Per 1000	Carton Quantity	List Price Each	
Pipe Straps, Two Hole, Galvanized  fig. 600	1/4	13	100	.09	
	3/8	25	100	.09	
	1/2	30	100	.10	
	3/4	38	100	.13	
	1	83	100	.25	
	1-1/4	110	50	.33	
	1-1/2	125	50	.45	
	2	200	50	.66	
	2-1/2	250	25	1.05	
	3	330	25	1.18	
	4	400	25	1.77	
	6	840	25	5.25	
8	1500	10	18.40		
Pipe Straps, Two Hole, Stainless (18-8)  fig. 760	1/4	13	100	3.61	
	3/8	25	100	3.61	
	1/2	34	100	3.61	
	3/4	45	100	4.46	
	1	80	50	5.58	
	1-1/4	110	50	6.56	
	1-1/2	125	50	7.20	
	2	170	25	8.65	
	2-1/2	250	25	13.90	
	3	300	25	15.75	
Pipe / EMT Straps, One Hole, Galvanized  fig. 610 - Pipe fig. 620 - EMT				PIPE	EMT
	1/4	20	100	.13	---
	3/8	25	100	.16	---
	1/2	55	100	.19	.18
	3/4	95	100	.32	.20
	1	100	100	.37	.25
	1-1/4	125	100	.59	.43
	1-1/2	200	50	1.00	.60
	2	250	50	1.18	1.18
	2-1/2	500	25	5.90	5.90
	3	1000	25	7.90	7.90
	4	1500	25	11.80	11.80

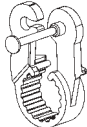
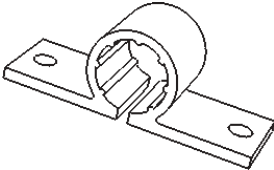
Greenfield DWV Hangers

	Size Inches	Weight Per 100	Quantity Per Ctn	List Price Each
Greenfield Hanger, Plastic Coated  Material Width = 1.0" fig. 220	1-1/2	30	50	2.63
	2	35	50	2.75
	3	50	50	3.05
	4	64	25	3.45
	6	100	25	11.25
LW Greenfield Hanger, Plastic Coated  Material Width = 3/4" fig. 320	1-1/2	28	50	2.25
	2	32	50	2.44
	3	36	50	2.63
	4	46	25	2.94
Greenfield Hanger, Galvanized, Uncoated  Material Width = 3/4" fig. 120	1-1/2	27	50	1.38
	2	30	50	1.51
	3	34	50	1.58
	4	44	50	1.77
DWV Extension Bar, Galvanized  16 Gauge fig. 221	1" x 36"	63	25	1.42

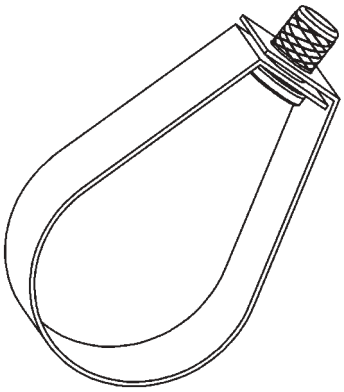
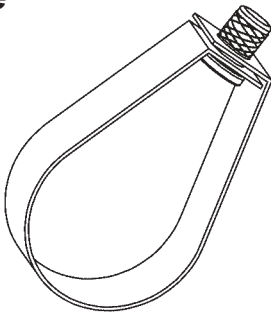
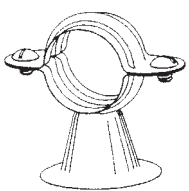
Plastic Coated Hangers

	Size Inches	Weight Per 100	Quantity Per Ctn	List Price Each
Straps, Plastic Coated  fig. 603	1/2	4	50	1.70
	3/4	5	50	1.70
	1	10	50	1.88
	1-1/4	11	50	2.00
	1-1/2	11	50	2.20
	2	14	50	2.30
	3	34	25	4.00
	4	40	25	5.00
	6	80	10	13.25
	8	150	10	27.50
Adjustable Swivel Ring, Plastic Coated  1/2" - 1-1/4" available upon request fig. 302	1-1/2	17	50	3.00
	2	16	50	3.15
	3	33	25	4.85
	4	60	25	6.25
	6	125	20	10.35
	8	150	10	25.00
J-Hanger, Plastic Coated  fig. 113	1-1/2	80	25	5.65
	2	80	25	5.65
	3	93	25	7.60
	4	105	25	8.65
	6	270	10	52.50
Clevis, Plastic Coated  1/2" - 1-1/4" available upon request fig. 404	1-1/2	33	25	2.85
	2	38	25	3.25
	3	70	25	5.50
	4	110	25	7.15
	6	350	10	21.25
	8	500	10	30.00
Riser Clamps, Plastic Coated  fig. 107	1-1/2	100	25	9.05
	2	100	25	9.05
	3	120	25	11.25
	4	150	25	16.25
	6	450	10	24.95

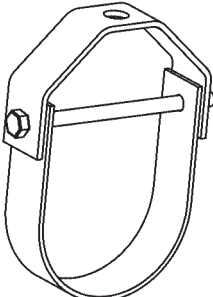
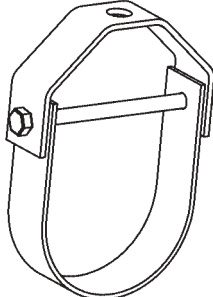
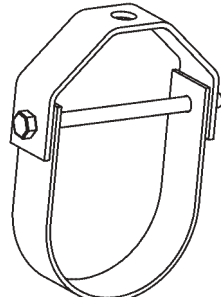
Plastic Hangers

	Size	Weight Per 100	Quantity Box / Ctn	List Price Each
Plastic Strapping Polypropylene  1/8 Dia. Holes Max working load, 15# @ -20 °F. to 120 °F. Breaking strength, 100# @ 68 °F. fig. 102	10'	15	bulk / 100	1.84
	25'	37	1 / 40	3.68
	50'	75	1 / 20	7.35
	100'	150	1 / 10	14.57
Plastic Half Clamp  C. T. Size Material: HDPE fig. 511	1/2	1.0	100 / 1M	.165
	3/4	1.5	100 / 1M	.185
	1	2.2	50 / 250	.58
Single Shot  C. T. Size Material: Copper Safe PP fig. 513	1/2	1.7	50 / 500	.50
	3/4	1.9	50 / 500	.63
Suspension Clamp  C. T. Size Material: PP fig. 515	1/2	1.0	100 / 1M	.34
	3/4	1.5	100 / 1M	.38
	1	1.5	50 / 250	1.05
	1-1/4	1.6	25 / 250	2.56
	1-1/2	1.7	25 / 250	2.76
	2	2.0	25 / 250	3.61
2 - Hole Plastic Tube Clamp  C. T. Size Material: PP fig. 517	1/2	1.0	100 / 500	.43
	3/4	1.1	100 / 500	.47
	1	1.4	50 / 250	1.12
	1-1/4	1.6	25 / 250	1.31
	1-1/2	1.8	25 / 250	1.64
	2	2.4	25 / 250	2.23
2 - Hole Plastic Pipe Strap 1" - 2" available upon request Iron Pipe Size Material: PP  fig. 518	1/2	.80	250	.55
	3/4	1.0	250	.55

Hangers

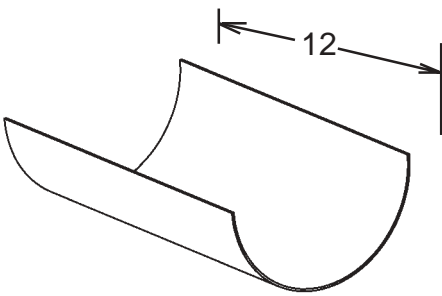
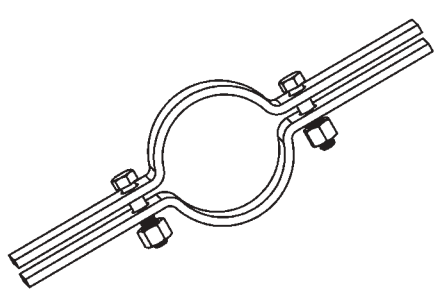
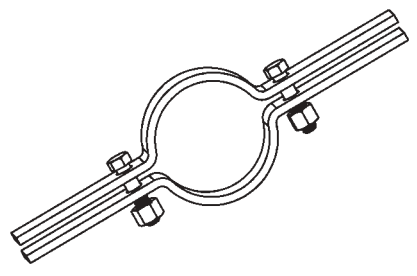
	Size Inches	Weight Per 100	Quantity Per Ctn	List Price Each	
Adj. Swivel Ring, Galvanized IPS  <p>1/2" to 4" - 3/8 Rod 5" to 8" - 1/2 Rod</p> <p>fig. 300</p>	1/2	11	100	1.18	
	3/4	11	100	1.18	
	1	11	100	1.25	
	1-1/4	12	100	1.29	
	1-1/2	13	100	1.34	
	2	14	100	1.42	
	2-1/2	28	50	2.63	
	3	32	50	3.02	
	4	55	25	4.20	
	5	60	25	5.51	
	6	60	20	6.23	
Adj. Swivel Ring, Copper Tube  <p>1/2" to 4" - 3/8 Rod</p> <p>fig. 301</p>	1/2	11	100	1.39	
	3/4	11	100	1.42	
	1	11	100	1.47	
	1-1/4	12	100	1.50	
	1-1/2	13	100	1.52	
	2	14	100	1.67	
	2-1/2	16	50	2.78	
	3	28	50	5.25	
	4	36	25	6.04	
	Bell Hanger C. T. Size Epoxy Coated Steel  <p>fig. 430</p>	1/2	6	25 / 500	1.31
		3/4	6	25 / 500	1.44
1		6	25 / 500	1.58	
1-1/4		7	25	2.10	
1-1/2		8	25	2.90	
2		10	25	4.20	

Clevis Hangers

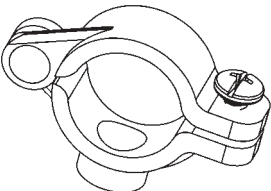
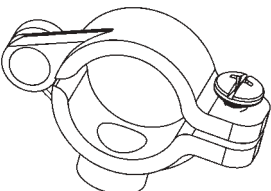
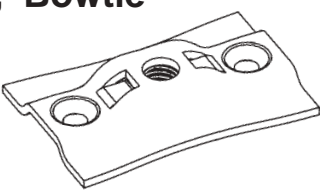
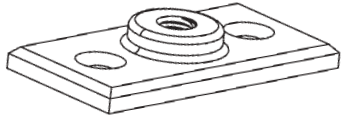
	Size Inches	Weight Per 100	Quantity Per Ctn	List Price Each
Light Clevis  *Please call for availability fig. 104	1/2	13	100	0.98
	3/4	14	100	1.03
	1	18	100	1.08
	1-1/4	22	100	1.12
	1-1/2	28	100	1.22
	2	35	50	1.35
	2-1/2	65	25	2.50
	3	65	25	2.63
	4	110	25	3.28
	6*	155	10	6.20
	8*	322	10	11.00
	10*	556	bulk	22.05
Clevis, Copper Tube Copper Plated  fig. 406	1/2	10	100	1.29
	3/4	10	100	1.31
	1	12	100	1.48
	1-1/4	18	100	1.58
	1-1/2	24	100	1.67
	2	36	50	1.90
	2-1/2	41	25	4.33
	3	50	25	4.95
	4	100	25	6.08
	5	198	25	17.32
	6	220	25	19.14
Standard Clevis Available to 28"  Plain - fig. 204 Add 50% Zinc Plated - fig. 304	1/2	18	100	1.21
	3/4	22	100	1.21
	1	25	100	1.34
	1-1/4	35	100	1.50
	1-1/2	35	100	1.58
	2	42	50	1.81
	2-1/2	84	25	3.47
	3	98	25	3.47
	4	170	25	4.20
	5	250	15	6.04
	6	330	10	7.35
	8	500	10	13.13
	10	900	bulk	28.89
12	1100	bulk	37.54	

Hangers

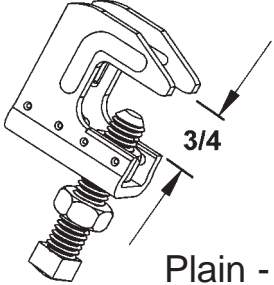
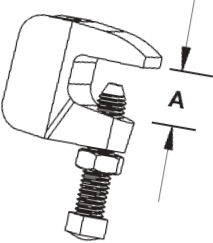
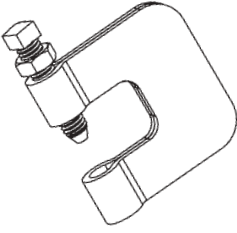
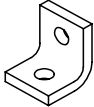
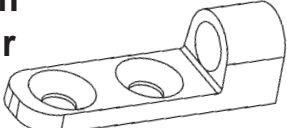
Size **Weight** **Quantity** **List Price**
Inches **Per 100** **Per Ctn** **Each**

Shields, Insulation Galvanized		O.D.	GAGE	CLEVIS SIZE			
		1.9	18	1-1/2	64	50	3.41
 <p>fig. 105</p>		2.4	18	2	64	50	3.94
		2.9	18	2-1/2	76	50	4.33
		3.5	18	3	92	50	5.00
		4.5	18	4	120	50	6.23
		5.6	18	5	160	25	7.61
		6.7	18	6	180	25	10.50
		8.7	18	8	280	25	13.91
		10.8	18	10	350	bulk	16.40
		12.8	18	12	420	bulk	22.64
		Riser Clamp, Iron Pipe Size  Plain - fig. 108 Add 50% Zinc Plated - fig. 308		1/2	80	25	3.54
3/4	80			25	3.54		
1	80			25	3.68		
1-1/4	110			25	4.20		
1-1/2	125			25	4.33		
2	140			25	4.63		
2-1/2	170			25	4.87		
3	190			25	5.25		
4	210			25	6.83		
5	370			15	10.50		
6	420			10	11.50		
Riser Clamp, Copper Tube Size Copper Plated  fig. 410		1/2	60	25	4.20		
		3/4	60	25	4.20		
		1	65	25	4.33		
		1-1/4	72	25	5.05		
		1-1/2	74	25	5.38		
		2	105	25	6.43		
		2-1/2	168	25	8.40		
		3	178	25	10.50		
		4	205	25	13.13		
		5	346	20	24.95		
6	386	10	32.15				

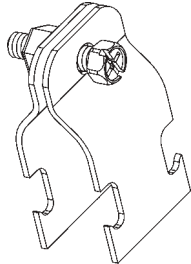
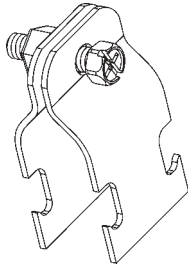
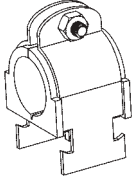
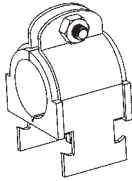
Split Ring Hangers

	Size Inches	Weight Per 100	Quantity Per Ctn	List Price Each	
				Plain	Plated
Split Ring, Iron Pipe Size Ductile Iron  3/8" to 2" - 3/8 Rod Plain - fig. 202 2-1/2" to 4" - 1/2 Rod Zinc Plated - fig. 385	3/8	10	50	1.84	2.10
	1/2	10	50	1.84	2.10
	3/4	12	50	1.97	2.17
	1	14	50	2.23	2.69
	1-1/4	19	25	2.69	3.02
	1-1/2	21	25	3.15	3.61
	2	30	25	3.61	4.33
	2-1/2	43	25	9.65	11.81
	3	52	25	12.40	14.44
	4	67	25	17.90	19.69
Split Ring, Copper Tube Ductile Iron  3/8" to 2" - 3/8 Rod 2-1/2" to 4" - 1/2 Rod fig. 485	3/8	8	50	1.84	
	1/2	8	50	1.90	
	3/4	9	50	2.03	
	1	11	50	2.30	
	1-1/4	12	25	2.63	
	1-1/2	14	25	3.15	
	2	23	25	3.41	
	2-1/2	37	25	10.50	
	3	45	25	15.75	
4	67	25	18.40		
Flange, Bowtie  Plain fig. 208 Galvanized fig. 389 Copperclad fig. 489 Made in USA	3/8	16.5	100	1.38	
	3/8	16.5	100	1.71	
	3/8	16.5	100	1.84	
Flange, Ductile Iron  Plain fig. 820 Galvanized fig. 821 Epoxy Coated fig. 822 Import Flanges Tapped for 3/8 & 1/2 Rod	3/8	15	100	1.38	
	1/2	16	100	2.23	
	3/8	15	100	1.71	
	1/2	16	100	2.43	
	3/8	15	100	1.84	
	1/2	16	100	2.63	

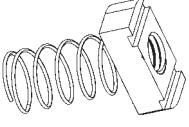

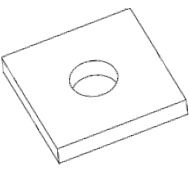
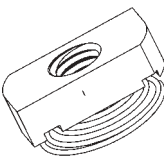
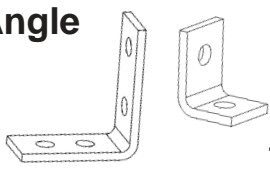
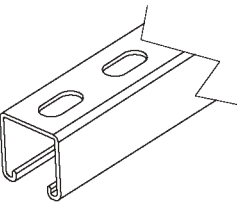
Attachments

	Size Inches	Weight Per 100	Quantity Per Ctn	List Price Each	
				Plain	Plated
Top Beam Clamp  Steel Made in USA Patent # 8882056 Plain - fig. 125 Plated - fig. 325	3/8	25	100	1.90	2.75
Top Beam Clamp, Ductile Iron  Junior A = 3/4" Plain - fig. 825 Plated - fig. 826 Wide Throat A = 1-1/4" Import fig. 126	3/8	28	100	1.90	2.75
	1/2	35	100	2.63	4.20
	5/8	42	50	4.60	6.95
	3/4	84	25	7.35	10.50
	3/8	36	50	4.33	----
	1/2	36	50	5.25	----
"C" Clamps  W/O Locknut fig. 122 W/ Locknut fig. 123	1/4	45	50	2.10	----
	3/8	40	100	1.93	----
	1/2	47	100	2.56	----
	3/8	41	100	2.03	----
	1/2	48	50	2.89	----
	5/8	75	50	10.00	----
	3/4	82	50	12.00	----
Angle Clip  fig. 118	3/8	25	100	1.64	----
	1/2	30	50	2.04	----
Side Beam Connector  fig. 191	3/8	13	100	1.44	----
	1/2	25	50	2.43	----

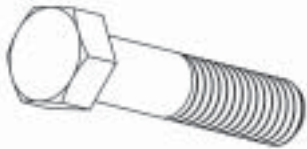
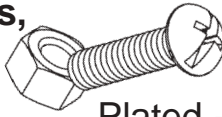
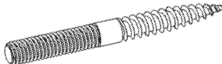

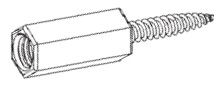
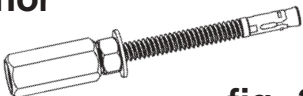
Strut Hardware

	Size Inches	Weight Per 100	Quantity Per Ctn	List Price Each
Strut Clamp-IPS Zinc Plated  fig. 311	3/8	12	50	1.31
	1/2	13	50	1.31
	3/4	15	50	1.60
	1	18	50	1.73
	1-1/4	22	50	2.10
	1-1/2	32	50	2.30
	2	37	50	2.43
	2-1/2	42	25	2.75
	3	49	25	3.15
	4	70	25	4.20
	5	80	10	5.25
	6	90	10	6.95
	8	124	25	11.15
Strut Clamp-CT Copper Plated  fig. 411	1/2	9	50	1.95
	3/4	11	50	2.10
	1	15	50	2.30
	1-1/4	18	50	2.40
	1-1/2	22	50	2.45
	2	31	50	3.15
	2-1/2	35	25	4.20
	3	42	25	4.60
	4	60	25	6.00
Cushion Clamp-IPS Zinc Yellow  2-1/2" - 6" available upon request fig. 317	1/2	21	25/100	5.58
	3/4	29	25/100	6.55
	1	41	25/100	8.15
	1-1/4	45	10/40	9.85
	1-1/2	49	10/40	10.90
	2	56	10/40	14.45
Cushion Clamp-CT Zinc Yellow  2-1/2" - 4" available upon request fig. 417	1/2	13	25/100	4.92
	3/4	21	25/100	5.58
	1	29	25/100	6.95
	1-1/4	40	10/40	8.15
	1-1/2	45	10/40	9.30
	2	53	10/40	13.15


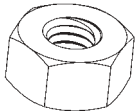
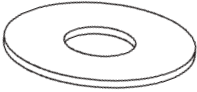

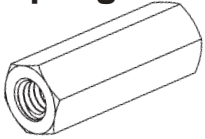
Strut Hardware

	Size Inches	Weight Per 100	Quantity Per Ctn	List Price Each	
Strut Nut, Spring  fig. 310	3/8	10	100	1.60	
	1/2	13	100	1.70	
Strut Nut, No Spring  fig. 315	3/8	9.4	100	1.18	
	1/2	8.6	100	1.31	
Strut Washer  fig. 313	3/8	18	100	1.60	
	1/2	18	100	1.60	
	1-5/8 SQ X 1/4 THK				
Twirl Nut  fig. 309	3/8	10	100	1.75	
Strut Angle  fig. 316	2 hole	38	50	2.63	
	4 hole	78	25	5.25	
10' Strut  Elongated holes	Galv	1-5/8 - 12 GA	19.00 EA	50/bndl	48.50
	fig. 930	13/16 - 14 GA	9.50 EA	50/bndl	30.00
	Green	1-5/8 - 12 GA	19.00 EA	50/bndl	57.00
	fig. 931	13/16 - 14 GA	9.50 EA	50/bndl	32.80
	Green	1-5/8 - 14 GA	14.00 EA	50/bndl	40.00
	fig. 932				

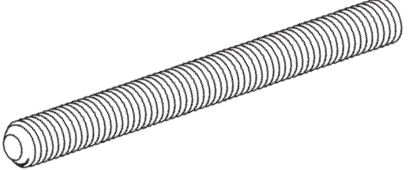
Hardware



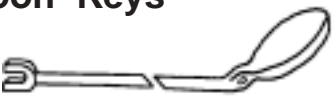
	Size Inches	Weight Per 100	Quantity Per Ctn	List Price Each	
				Plain	Plated
Hex Head Bolts ASTM A307a  Plain- fig. 156 Plated- fig. 356	5/8 X 2	23	50	.77	1.09
	2-1/2	27	50	.92	1.29
	3	32	50	1.04	1.45
	3-1/2	36	50	1.18	1.65
	4	40	50	1.31	1.84
	4-1/2	44	50	1.58	2.25
	5	49	50	1.65	2.30
	3/4 X 2	35	50	1.27	1.79
	2-1/2	41	50	1.42	2.00
	3	48	50	1.68	2.35
	3-1/2	54	50	1.84	2.55
	4	60	25	2.10	2.95
	4-1/2	66	25	2.35	3.30
	5	72	25	2.55	3.55
	Stove Bolts, With Nuts  Plated - fig. 160	1/4 X 1	2.2	100	----
1/4 X 1-1/2		3.1	100	----	.18
1/4 X 2		3.6	100	----	.23
Lag Screw  fig. 155	1/4 X 3	3	100	.76	----
	3/8 X 3-1/2	8.5	100	.76	----
	1/2 X 4	17	25	2.30	----
Lag Rod  fig. 154	3/8 X 4	10	100	.92	----
	6	15	100	1.12	----
	8	19	50	1.95	----
	1/2 X 6	32	50	2.90	----
Stanley Screw  for wood fig. 358	3/8	5.80	25/100	----	1.18
Elliott Anchor  for concrete fig. 360	1/4	8.30	25/100	----	1.85
	3/8	15.50	25/100	----	1.85

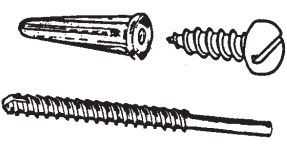
Hardware

	Size Inches	Weight Per 100	Quantity Per Ctn	List Price Each	
				Plain	Plated
Hex Nuts Grade 2  Plain - fig. 171 Plated - fig. 371	1/4	.80	100	----	.105
	5/16	1.10	100	----	.144
	3/8	1.60	100	.10	.16
	1/2	3.80	100	.25	.37
	5/8	7.30	50	.43	.65
	3/4	11.90	50	.65	.98
	7/8	19	25	----	2.10
	1	28	25	----	2.75
Heavy Hex Nuts Grade 2  Plain - fig. 172 Plated - fig. 372	3/8	3	100	.17	.24
	1/2	7	100	.32	.46
	5/8	12	50	.55	.79
	3/4	19	50	.85	1.18
Washers USS  Plain - fig. 153 Plated - fig. 353	1/4	.70	100	.053	.087
	3/8	1.5	100	.087	.14
	1/2	3.8	100	.17	.28
	5/8	7.7	50	.34	.53
	3/4	11.0	50	.46	.68
	7/8	15.3	50	.65	1.05
	1	18.8	25	.92	1.30
Fender Washer  Plated - fig. 253	1/4 X 1.25	2.1	100	----	.18
	3/8 X 1.5	2.9	100	----	.24
	1/2 X 2.0	7	100	----	.42
Rod Coupling  Plain- fig. 151 Plated - fig. 351	1/4	2	50	1.18	1.57
	3/8	11	50	1.30	1.77
	1/2	11	50	1.45	2.65
	5/8	18	50	2.50	3.25
	3/4	30	25	3.95	5.25
Rod Coupling, Reducing fig. 357	3/8 - 1/4	4	50	----	2.10
	1/2 - 3/8	7	50	----	2.75
	5/8 - 1/2	14	50	----	4.30




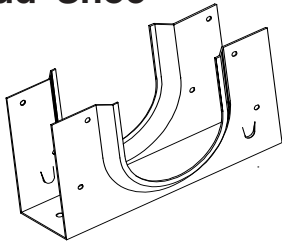
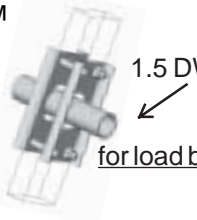
Hardware & Tools

	Size Inches	Weight Per 100	Quantity Per Ctn	List Price Each	
				Plain	Plated
All Thread Rod 6 Ft Length  Plain - fig. 900 Plated - fig. 901	1/4	.72 ea	50	----	3.75
	3/8	1.7	25	4.55	5.15
	1/2	3.0	12	9.90	10.65
	5/8	5.0	8	16.25	16.95
	3/4	7.4	5	23.75	27.82
	7/8	10	4	----	48.75
	1	13	3	----	68.75

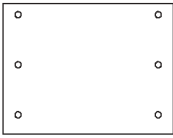
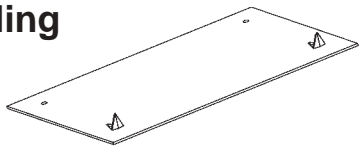



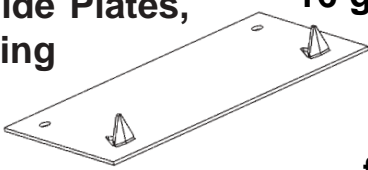
	Size	Weight Per 100	Quantity Per Ctn	List Price Each
Stop Keys  fig. 413	6 FT	750	6 / Bndl	62.00
	8 FT	1000	6 / Bndl	75.80
	10 FT	1250	6 / Bndl	86.85
Grapplers  fig. 415	6 FT	400	6 / Bndl	88.25
	8 FT	600	6 / Bndl	103.50
	10 FT	800	6 / Bndl	114.50
Spoon Keys  fig. 414	6 FT	500	6 / Bndl	96.00

Description	Quantity Per Ctn	List Price /Kit
Screw and Plastic Anchor Kit  fig. 162 100-#10 x1" Pan Head Screws 100 - Plastic Anchors 1 each -1/4" Masonary Drill	10	11.25/Kit

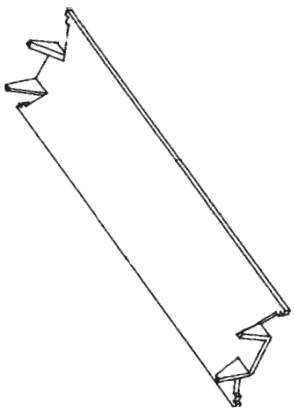
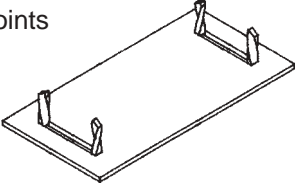
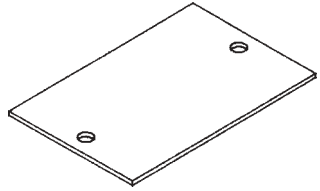

Stud Protectors

	Size	Weight Per 100	Quantity Per Ctn	List Price Each
16 Hole Plate - 5" wide  16 ga fig. 950	5 X 9	85	50	1.63
	5 X 12	105	25	1.88
	5 X 18	160	25	2.87
16 Hole Plate - 3" wide  16 ga fig. 949	3 X 12	52	25	1.31
	3 X 18	96	25	1.81
	3 X 24	120	25	2.63
	3 X 36	190	25	5.25
16 Hole Plate - 1.5" wide  16 ga fig. 948	1.5 X 18	48	50	1.15
	1.5 X 24	62	50	1.69
	1.5 X 36	94	25	3.63
Stud Shoe  not for load bearing walls fig. 533-1 fig. 533-2 fig. 533-3	Single	41	25	2.56
	Double	50	25	3.00
	Triple	60	10	3.56
Studfixer™  Kit includes Bolts, Nuts, Drill & Drill Fixture 1.5 DWV MAX for load bearing walls fig. 534	Single	230	5 assy. / kit Sold only as Kits	11.81/ assy.
	Double	260	5 assy. / kit Sold only as Kits	12.38 / assy.
	Triple	290	5 assy. / kit Sold only as Kits	13.25 / assy.

Stud Protectors

		Size	Weight per 100	Quantity Ctn / Skid	List Price Each
5" Wide Plates 16 ga x 5  * 18" has 4 holes fig 958		5 X 4	35	50 / 5M	.75
		5 X 8	70	50 / 2500	1.40
		5 X 18 *	150	25 / 1500	2.63
5" Wide Plates, Self Nailing 16 ga x 5  fig. 957		5 X 4	35	25/2500	.90
		5 X 8	70	25 / 2500	1.50
1 1/2" Wide Plates, 8 Hole 18 ga x 1-1/2 fig. 918 <hr/> 16 ga x 1-1/2  fig. 916		9	18	50 / 5M	.45
		12	25	50 / 5M	.56
		18	38	50 / 3M	.85
		9	24	50 / 5M	.55
		12	32	50 / 5M	.78
		18	48	50 / 3M	1.15
3" Wide Plates, 8 Hole 18 ga x 3  fig. 919		6	25	50 / 6M	.55
		9	38	50 / 5M	.83
		12	52	50 / 5M	1.05
		18	78	50 / 2400	1.63
3-1/2" Wide Plates 16 ga x 3  18" 4 Holes as shown, 6" 2 Holes fig. 935		6	36	50 / 5M	.66
		18	110	25 / 1500	2.00
3-1/2" Wide Plates, Self Nailing 16 ga x 3.5  fig. 936		6	36	50/5M	.79

Stud Protectors

		Length Inches	Weight Per 100	Quantity Ctn / Skid	List Price Each
Stud Guards Triangle Points 	18 ga x 1-1/2	3	6	100 / 21M	.163
		5	10	100 / 12M	.206
	fig. 530	6	13	100 / 12M	.244
	20 ga x 1-1/2	3	5	100 / 21M	.131
		6	10	100 / 12M	.206
	fig. 531				
	16 ga x 1-1/2	3	8	100 / 21 M	.206
		5	14	100 / 12M	.275
	fig. 536	6	16	100 / 12 M	.325
Stud Guards Twist Points 	19 ga x 1-1/2	3	6	100 / 21M	.156
		6	11	100 / 12M	.238
Stud Guards Nail Holes 	18 ga x 1-1/2	3	6	250 / 30M	.163
		6	13	100 / 12M	.244
	fig. 906				
	16 ga x 1-1/2	3	8	250 / 30M	.205
	6	16	100 / 12M	.325	
fig. 905					
Stud Guards Interlocking 	20 ga x 1-1/2	20 GA	10	100 / 12M	.206
	18 ga x 1-1/2				
	16 ga x 1-1/2	18 GA	13	100 / 12M	.244
	16 GA	16	100 / 12M	.325	
fig. 922					



INDEX

PG.	FIG.	ITEM		PG.	FIG.	ITEM	
8	300	Adj Swivel Rings	Galvanized IPS	11	202	Split Ring Hangers	Ductile Iron, Plain
8	301		Copper Tube	11	385		Ductile Iron, Galv Pipe
6	302		Plastic Coated	11	485		Ductile Iron, Copper Tube
17	900	All Thread Rod	Plain				
17	901		Plated	1	970	Strapping	Steel Plain
12	118	Angle Clips		1	972		Copperclad
8	430	Bell Hangers		1	971		Galvanized
				7	102		Plastic
12	122	'C' Clamps	Plain	1	974		Pure Copper
12	123		With Locknuts	1	975		Stainless Steel
				1	101		Duct Tape, Galvanized
9	204	Clevis Hangers	Standard	4	620	Strap, EMT	
9	304		Standard, Zinc Plated				
9	406		Copper Tube	4	600	Straps, Pipe	Galv Pipe, Two Hole
9	104		Light	6	603		Galv Pipe, Plastic Coated
6	404		Plastic Coated	4	760		Stainless, Pipe Two Hole
				4	610		Galv Pipe, One Hole
5	220	DWV Hangers	Plastic Coated				
5	320		L.W. Plastic Coated	3	500	Straps, Tube	Copperclad, Two Hole
5	120		Galvanized (Uncoated)	3	510		Copperclad, One Hole
5	221		DWV Extensions	3	503		Pure Copper, Two Hole
				3	509		Nails
11	208	Flanges	Bowtie, Plain				
11	389		Bowtie, Galv	14	930	Strut	Galv
11	489		Bowtie, CClad	14	931		Green
11	820		Ductile Iron, Plain	13	411	Strut Clamps	Copper Tube
11	821		Ductile Iron, Galv	13	311		Galv IPS
11	822		Ductile Iron, Epoxy	13	317	Strut Cushion Clamp	IPS
				13	417		Copper
15	156	Hex Head Bolts	Plain	14	316	Strut	Angle
15	356		Plated	14	310		Nuts
16	171	Hex Nuts	Plain	14	313		Washers
16	371		Plated				
16	172		Heavy, Plain	19	957	Stud Protector Plates	16 Ga 5x8 Self Nailing
16	372		Heavy, Plated	19	958		16 Ga 5" Wide
				18	950		16 Ga 16 Hole 5" Wide
2	197	Hooks	Bright Steel	18	949		16 Ga 16 Hole 3" Wide
2	198		Copper Tube	18	948		16 Ga 16 Hole 1.5" Wide
2	199		Plastic Coated	19	936		16 Ga 3.5" Self Nailing
				19	935		16 Ga 3.5" Wide
6	113	J Hanger	Plastic Coated	19	919		18 Ga 8 Hole, 3" Wide
3	540	J-Tube Nailer	Copper Tube	19	918		18 Ga 8 Hole, 1.5" Wide
15	154	Lag Rod		19	916		16 Ga 8 Hole, 1.5" Wide
15	155	Lag Screw					
				20	906	Stud Guards	Nail Holes 18 Ga
7	511	Plastic Half Clamp		20	905		Nail Holes 16 Ga
7	515	Plastic Suspension Clamp		20	922		Interlocking 20 Ga
7	517	Plastic Tube Clamp		20	536		Triangle Points 16 Ga
				20	530		Triangle Points 18 Ga
17	415	Plumbers' Tools	Grapplers	20	531		Triangle Points 20 Ga
17	414		Spoon Keys	20	920		Twisted Points 19 Ga
17	413		Stop Keys				
				18	534	Stud Fixer	
10	108	Riser Clamps	Iron Pipe	18	533	Stud Shoes	
10	410		Copper Tube	15	160	Stove Bolts With Nuts	
6	107		Plastic Coated				
				12	125	Top Beam Clamps	Plain
16	151	Rod Couplings	Plain	12	325		Plated
16	351		Plated	12	126		Wide Throat
16	357		Reducing, Plated				
				16	153	Washer	Plain
10	105	Shields	Insulation	16	353		Plated
12	191	Side Beam Connectors		16	253		Fender
7	513	Single Shot Hanger					