

freedom Flange™

Application

Use Taco *freedom* Flanges on all your Circulator jobs for a complete professional installation. Available in Ductile Iron or Bronze, Threaded, Sweat or Threaded Shut-Off design. There's a *freedom* Flange™ to fit every "00" Circulator. The unique hex design provides easy-on, easy-off installation with a standard adjustable wrench.

Shut-Off *freedom* Flange™ - Bronze



Shut-Off *freedom* Flange™ Features

- 2-Piece Design
- 1/4" Steel Flange - Won't Bend or Crack
- Dual Teflon Seated Solid Brass Ball
- Upgraded Stem Seal
- Available in 3/4", 1", 1-1/4" Threaded Connections

Sweat *freedom* Flange™ - Bronze



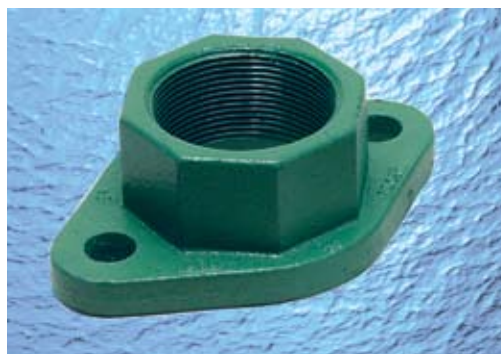
Sweat & Threaded *freedom* Flange™ Features

- Fits All "00" Circulators
- Easy-On, Easy-Off with an Adjustable Wrench
- Ductile Iron - Stronger than Cast Iron
- Ductile Iron 3/4" – 2"
- Bronze Threaded 3/4" – 2"
- Bronze Sweat 1/2" – 1-1/2"

Threaded *freedom* Flange™ - Bronze



Threaded *freedom* Flange™ - Ductile Iron

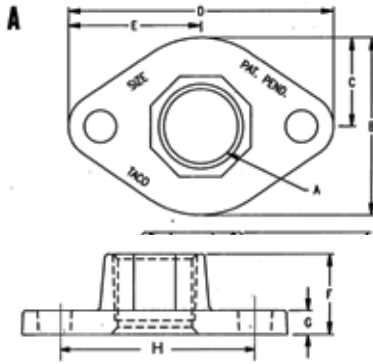


Ductile Iron Freedom Flange™

Ductile Iron Freedom Flange Sets (005, 007-0011, 0013, 0014, 110-113)

Figure	Product #	Size A	B	C	D	E	F	G	H
A	110-251F	3/4" NPT	2-3/4"	1-3/8"	4-1/8"	2-1/16"	1-1/4"	3/8"	3-1/8"
A	110-252F	1" NPT	2-3/4"	1-3/8"	4-1/8"	2-1/16"	1-1/4"	3/8"	3-1/8"
A	110-253F	1-1/4" NPT	2-3/4"	1-3/8"	4-1/8"	2-1/16"	1-7/16"	3/8"	3-1/8"
A	110-254F	1-1/2" NPT	2-3/4"	1-3/8"	4-1/8"	2-1/16"	1-7/16"	3/8"	3-1/8"

Threaded freedom Flange™



0012 Ductile Iron Freedom Flange Sets (Directly Replaces HV Series Circulators)*

Figure	Product #	Size A	B	C	D	E	F	G	H
A	194-1540F	1-1/4" NPT	2-15/16"	1-15/32"	4-3/4"	2-3/8"	1-9/16"	9/16"	3-7/16"
A	194-1542F	1-1/2" NPT	2-15/16"	1-15/32"	4-3/4"	2-3/8"	1-9/16"	9/16"	3-7/16"

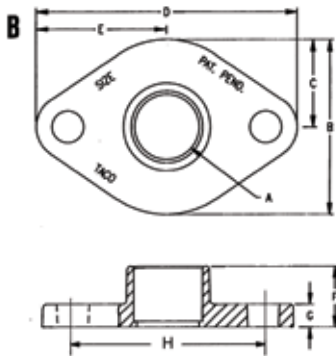
* 1-1/2" Flange set included in each 0012-F4 box.

2" 0012 Ductile Iron Freedom Flange Sets (Directly Replaces 2" Series Circulators)**

Figure	Product #	Size A	B	C	D	E	F	G	H
A	194-1543F	1-1/2" NPT	3-5/8"	1-13/16"	5-9/16"	2-25/32"	1-3/4"	1/2"	4-1/8"
A	194-2124F	2" NPT	3-5/8"	1-13/16"	5-9/16"	2-25/32"	1-3/4"	1/2"	4-1/8"

** 2" Flange set included in each 0012-F4-1 box.

Sweat freedom Flange™



Bronze Freedom Flange™

Bronze Threaded Freedom Flange Sets (005, 007-0011, 0013, 0014, 110-113)

Figure	Product #	Size A	B	C	D	E	F	G	H
A	110-251BF	3/4" NPT	2-3/4"	1-3/8"	4-1/8"	2-1/16"	1-1/4"	3/8"	3-1/8"
A	110-252BF	1" NPT	2-3/4"	1-3/8"	4-1/8"	2-1/16"	1-1/4"	3/8"	3-1/8"
A	110-253BF	1-1/4" NPT	2-3/4"	1-3/8"	4-1/8"	2-1/16"	1-1/4"	3/8"	3-1/8"
A	110-254BF	1-1/2" NPT	2-3/4"	1-3/8"	4-1/8"	2-1/16"	1-1/4"	3/8"	3-1/8"

0012 Bronze Threaded Freedom Flange Sets (Directly Replaces HV Series Circulators)***

Figure	Product #	Size A	B	C	D	E	F	G	H
A	194-1540BF	1-1/4" NPT	2-15/16"	1-15/32"	4-3/4"	2-3/8"	1-9/16"	9/16"	3-7/16"
A	194-1542BF	1-1/2" NPT	2-15/16"	1-15/32"	4-3/4"	2-3/8"	1-9/16"	9/16"	3-7/16"

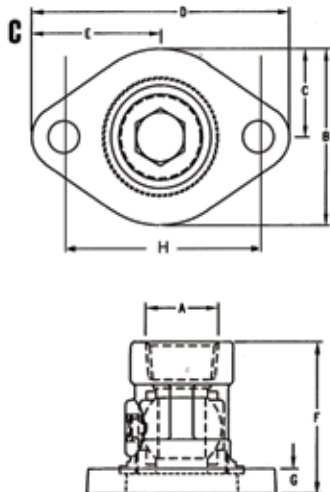
*** 1-1/2" Flange set included in each 0012-BF4 box.

2" 0012 Bronze Freedom Flange Sets (Directly Replaces HV Series Circulators)****

Figure	Product #	Size A	B	C	D	E	F	G	H
A	194-1543BF	1-1/2" NPT	3-5/8"	1-13/16"	5-9/16"	2-25/32"	1-3/4"	1/2"	4-1/8"
A	194-2124BF	2" NPT	3-5/8"	1-13/16"	5-9/16"	2-25/32"	1-3/4"	1/2"	4-1/8"

**** 2" Flange set included in each 0012-BF4-1 box.

Shut-Off freedom Flange™-Threaded



Bronze Sweat Freedom Flange Sets (005, 007-0011, 0013, 0014, 110-113)

Figure	Product #	Size A	B	C	D	E	F	G	H
B	110-522BSF	1/2" Swt	2-3/4"	1-3/8"	4-1/8"	2-1/16"	7/8"	3/8"	3-1/8"
B	110-523BSF	3/4" Swt	2-3/4"	1-3/8"	4-1/8"	2-1/16"	7/8"	3/8"	3-1/8"
B	110-524BSF	1" Swt	2-3/4"	1-3/8"	4-1/8"	2-1/16"	1"	3/8"	3-1/8"
B	110-525BSF	1-1/4" Swt	2-3/4"	1-3/8"	4-1/8"	2-1/16"	1-1/8"	3/8"	3-1/8"
B	110-526BSF	1-1/2" Swt	2-3/4"	1-3/8"	4-1/8"	2-1/16"	1-1/4"	3/8"	3-1/8"

Bronze Shut-Off Freedom Flange™

2-Piece Bronze Shut-Off Freedom Flange Sets (005, 007-0011, 0013, 0014, 110-113)

Figure	Product #	Size A	B	C	D	E	F	G	H
C	254-2	3/4" NPT	2-3/4"	1-3/8"	4-1/8"	2-1/16"	2-3/16"	3/8"	3-1/8"
C	255-2	1" NPT	2-3/4"	1-3/8"	4-1/8"	2-1/16"	1-1/12"	3/8"	3-1/8"
C	256-2	1-1/4" NPT	2-3/4"	1-3/8"	4-1/8"	2-1/16"	2-5/16"	3/8"	3-1/8"