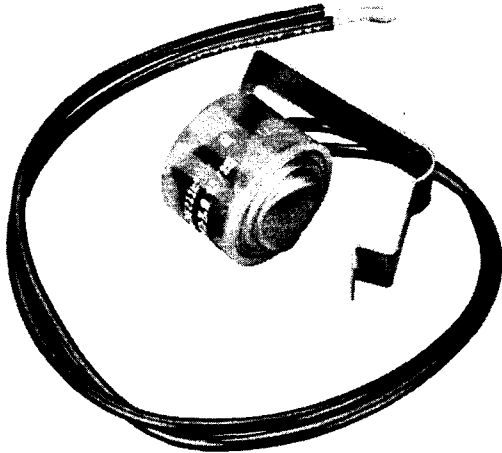


FPC Freeze Protection Control

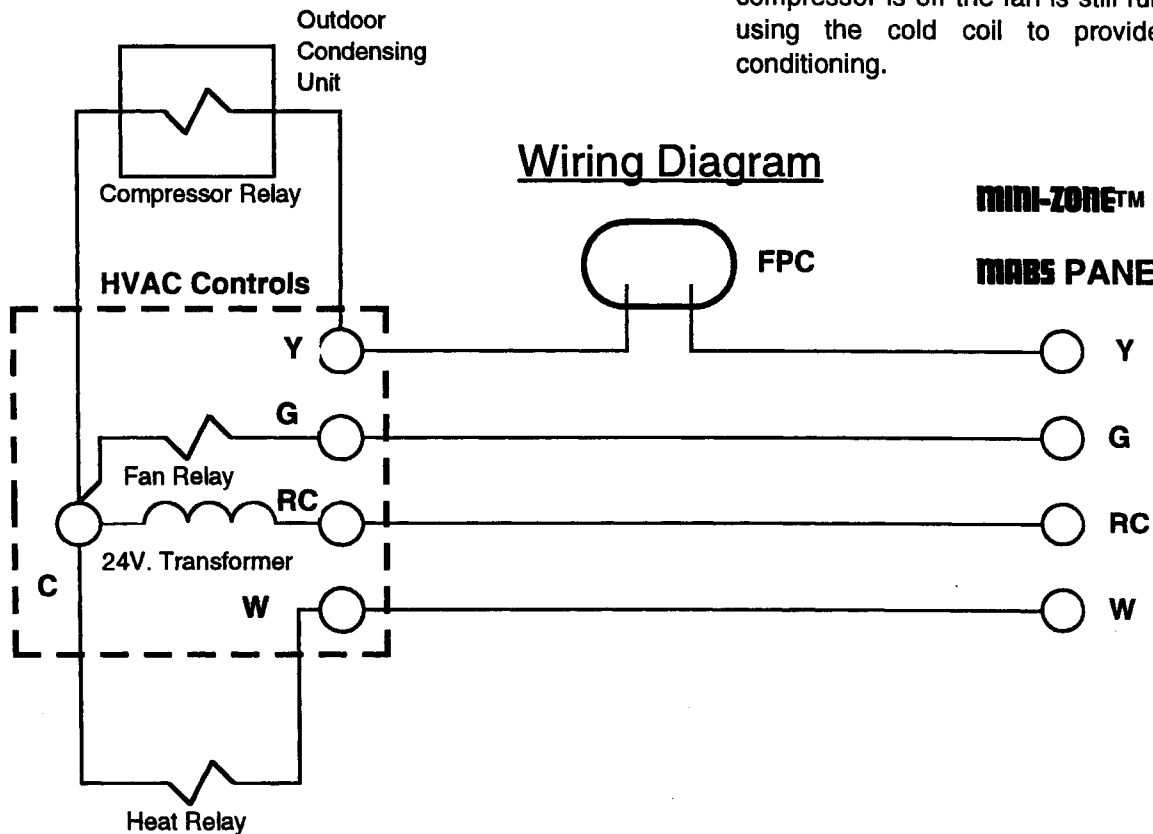
TROL-A-TEMP

PRODUCT DATA



FPC

The Trol-A-Temp Freeze Protection Control, Model FPC, is a low cost control designed to protect the air conditioning coil from freezing. The FPC is installed by simply snapping it onto the suction line just outside the evaporator coil. When the FPC senses temperature at 38 degrees it breaks the circuit to the compressor relay, preventing a freeze-up. The FPC then remakes the compressor circuit at 48 degrees allowing ample time for the compressor to be off. This differential prevents any short cycling. During the period the compressor is off the fan is still running using the cold coil to provide air conditioning.



Honeywell

Home and Building Control

Honeywell
1985 Douglas Drive North
Golden Valley, MN 55422

Home and Building Control

Honeywell Limited-Honeywell Limitée
35 Dynamic Drive
Scarborough, Ontario
M1V 4Z9

