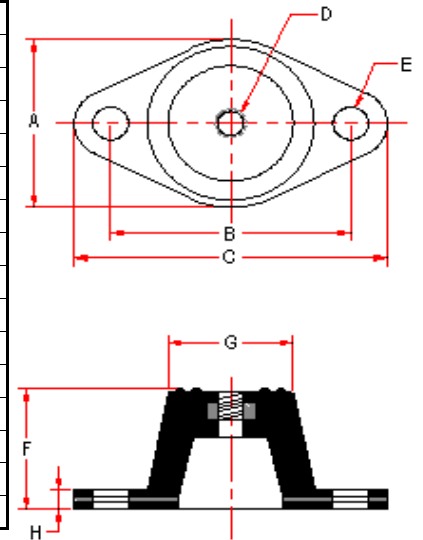


# VIBRATION MANAGEMENT CORPORATION

5930 THOMAS ROAD , HOUSTON , TEXAS 77041 , U.S.A

INTERNET ADDRESS: [www.vimco.biz](http://www.vimco.biz)

ISOLATOR MODEL	MAX. LOAD (lbs)	DEFLECTION (inches)	ISOLATOR DIMENSIONS (inches)								COLOR
			A	B	C	D	E	F	G	H	
FMD-A-1	30	1/2	1 3/4	2 3/8	3 1/8	5/16	11/32	1 1/4	1 3/8	3/16	BLUE
FMD-A-2	40	1/2	1 3/4	2 3/8	3 1/8	5/16	11/32	1 1/4	1 3/8	3/16	RED
FMD-A-3	70	1/2	1 3/4	2 3/8	3 1/8	5/16	11/32	1 1/4	1 3/8	3/16	GREEN
FMD-A-4	115	1/2	1 3/4	2 3/8	3 1/8	5/16	11/32	1 1/4	1 3/8	3/16	BLACK
FMD-B-1	130	1/2	2 3/8	3	3 7/8	3/8	11/32	1 3/4	1 3/4	7/32	BLUE
FMD-B-2	165	1/2	2 3/8	3	3 7/8	3/8	11/32	1 3/4	1 3/4	7/32	RED
FMD-B-3	235	1/2	2 3/8	3	3 7/8	3/8	11/32	1 3/4	1 3/4	7/32	GREEN
FMD-B-4	375	1/2	2 3/8	3	3 7/8	3/8	11/32	1 3/4	1 3/4	7/32	BLACK
FMD-E-1	200	1/2	2 3/8	3 1/8	4	3/8	1/2	2	1 3/4	1/4	BLUE
FMD-E-2	300	1/2	2 3/8	3 1/8	4	3/8	1/2	2	1 3/4	1/4	RED
FMD-E-3	400	1/2	2 3/8	3 1/8	4	3/8	1/2	2	1 3/4	1/4	GREEN
FMD-E-4	500	1/2	2 3/8	3 1/8	4	3/8	1/2	2	1 3/4	1/4	BLACK
FMD-F-1	750	1/2	3 5/8	4 3/4	5 7/8	1/2	9/16	3 1/2	2 3/4	3/8	BLUE
FMD-F-2	1000	1/2	3 5/8	4 3/4	5 7/8	1/2	9/16	3 1/2	2 3/4	3/8	RED
FMD-F-3	1500	1/2	3 5/8	4 3/4	5 7/8	1/2	9/16	3 1/2	2 3/4	3/8	GREEN
FMD-F-4	2200	1/2	3 5/8	4 3/4	5 7/8	1/2	9/16	3 1/2	2 3/4	3/8	BLACK



N.T.S.

### NOTES

- Models FMD-E and FMD-F have rectangular bases.

### FEATURES

- \* Anti-skid top and bottom surfaces.
- \* Mounting holes furnished as standard
- \* Embedded steel plates for uniform loading.
- \* Oil + water resistant
- \* High deflection, low natural frequency
- \* Elements color-coded for easy field verification (*Color coding can be by 'dot' or 'complete element'*)

<u>Notes / Remarks :</u>	Project :		<b>FMD</b> Rubber-In-Shear Mount (Double deflection)	<u>Drawing no.</u>
	Client :			<b>S-2225.01</b>
	Consultant :			
	Representative :			Rev. 3