


**FMU4X, FMC4X  
FMU4Z, FMC4Z  
HORIZONTAL FAN COILS  
SIZES 18 TO 36  
1-1/2 TO 3 NOMINAL TONS**



turn to the experts 

## Product Data

### HORIZONTAL FAN COILS

- FMU4Z and FMC4Z 1-1/2, 2, 2-1/2, and 3 Tons
- FMU4X and FMC4X 1-1/2, 2, 2-1/2, and 3 Tons

#### ALL MODELS

- Horizontal application only
- Accessory field-installed electric heat kits available in 3, 5, 6, 7.5, or 10 kW
- 40 VA 208/230v-1-60 transformer
- All Models use Puron® (R-410A) TXV metering device
- Adjustable condensate drainpan

#### FMC4X & FMC4Z

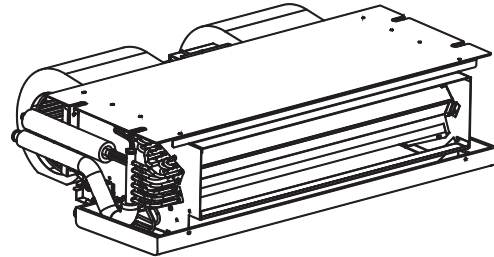
- Horizontal return applications require field fabricated bottom cover
- Cabinets meet the requirement of 1.4% cabinet leakage rate when tested to ASHRAE Standard 193
- Cabinets constructed to prevent cabinet sweating
- Refrigerant lines and electrical connections can be run out the back or side of casing

#### PERFORMANCE

- PSC motor on all FMU4X & FMC4X models
- ECM motor on all FMU4Z & FMC4Z models

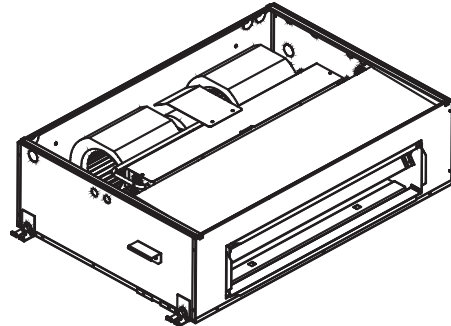
#### EASY TO INSTALL AND SERVICE

- A-coil design for maximum surface area
- Multiple electrical, refrigerant lineset and drain line entry for application flexibility
- Primary and secondary drain connections exit from the back or side of the cabinet
- Supports furred-down ceiling open return and ducted return applications
- Sweat connections for long term reliability
- Grooved aluminum tube / aluminum fin coils on FMU4X & FMC4X models with "AL" in the 10<sup>th</sup> & 11<sup>th</sup> position



A13303

**FMU4X & FMU4Z - Uncased Horizontal Fan Coil  
(FMU4Z model shown)**



A13304

**FMC4X & FMC4Z - Cased Horizontal Fan Coil  
(Unit pictured upside down)**



ISO 9001  
OH-S&I Global



Use of the AHRI Certified TM Mark indicates a manufacturer's participation in the program. For verification of certification for individual products, go to [www.ahridirectory.org](http://www.ahridirectory.org).



| Model          | Tons  | Nominal BTU | CFM (L/s) | Dimensions<br>H x W x D in. (mm)               | Ship Wt. lbs.<br>(kg) |
|----------------|-------|-------------|-----------|--|-----------------------|
| <b>UNCASED</b> |       |             |           |  |                       |
| FMU4X1800AL    | 1-1/2 | 18,000      | 600(283)  | 10-1/4 x 37-1/4 x 26-3/8<br>(260 x 946 x 670)  | 75 (34)               |
| FMU4X2400AL    | 2     | 24,000      | 800(378)  |  | 75 (34)               |
| FMU4X3000AL    | 2-1/2 | 30,000      | 1000(472) | 10-1/4 x 49-1/4 x 26-3/8<br>(260 x 1251 x 670) | 93 (42)               |
| FMU4X3600AL    | 3     | 36,000      | 1200(566) |  | 93 (42)               |
| FMU4Z1800AL    | 1-1/2 | 18,000      | 600(283)  | 10-1/4 x 37-1/4 x 26-3/8<br>(260 x 946 x 670)  | 75 (34)               |
| FMU4Z2400AL    | 2     | 24,000      | 800(378)  |  | 75 (34)               |
| FMU4Z3000AL    | 2-1/2 | 30,000      | 1000(472) | 10-1/4 x 49-1/4 x 26-3/8<br>(260 x 1251 x 670) | 93 (42)               |
| FMU4Z3600AL    | 3     | 36,000      | 1200(566) |  | 93 (42)               |
| <b>CASED</b>   |       |             |           |  |                       |
| FMC4X1800AL    | 1-1/2 | 18,000      | 600(283)  | 11 x 39-3/4 x 27-3/4<br>(282 x 1010 x 704)     | 109 (49)              |
| FMC4X2400AL    | 2     | 24,000      | 800(378)  |  | 109 (49)              |
| FMC4X3000AL    | 2-1/2 | 30,000      | 1000(472) | 11 x 51-3/4 x 27-3/4<br>(282 x 1315 x 704)     | 135 (61)              |
| FMC4X3600AL    | 3     | 36,000      | 1200(566) |  | 135 (61)              |
| FMC4Z1800AL    | 1-1/2 | 18,000      | 600(283)  | 11 x 39-3/4 x 27-3/4<br>(282 x 1010 x 704)     | 109 (49)              |
| FMC4Z2400AL    | 2     | 24,000      | 800(378)  |  | 109 (49)              |
| FMC4Z3000AL    | 2-1/2 | 30,000      | 1000(472) | 11 x 51-3/4 x 27-3/4<br>(282 x 1315 x 704)     | 135 (61)              |
| FMC4Z3600AL    | 3     | 36,000      | 1200(566) |  | 135 (61)              |

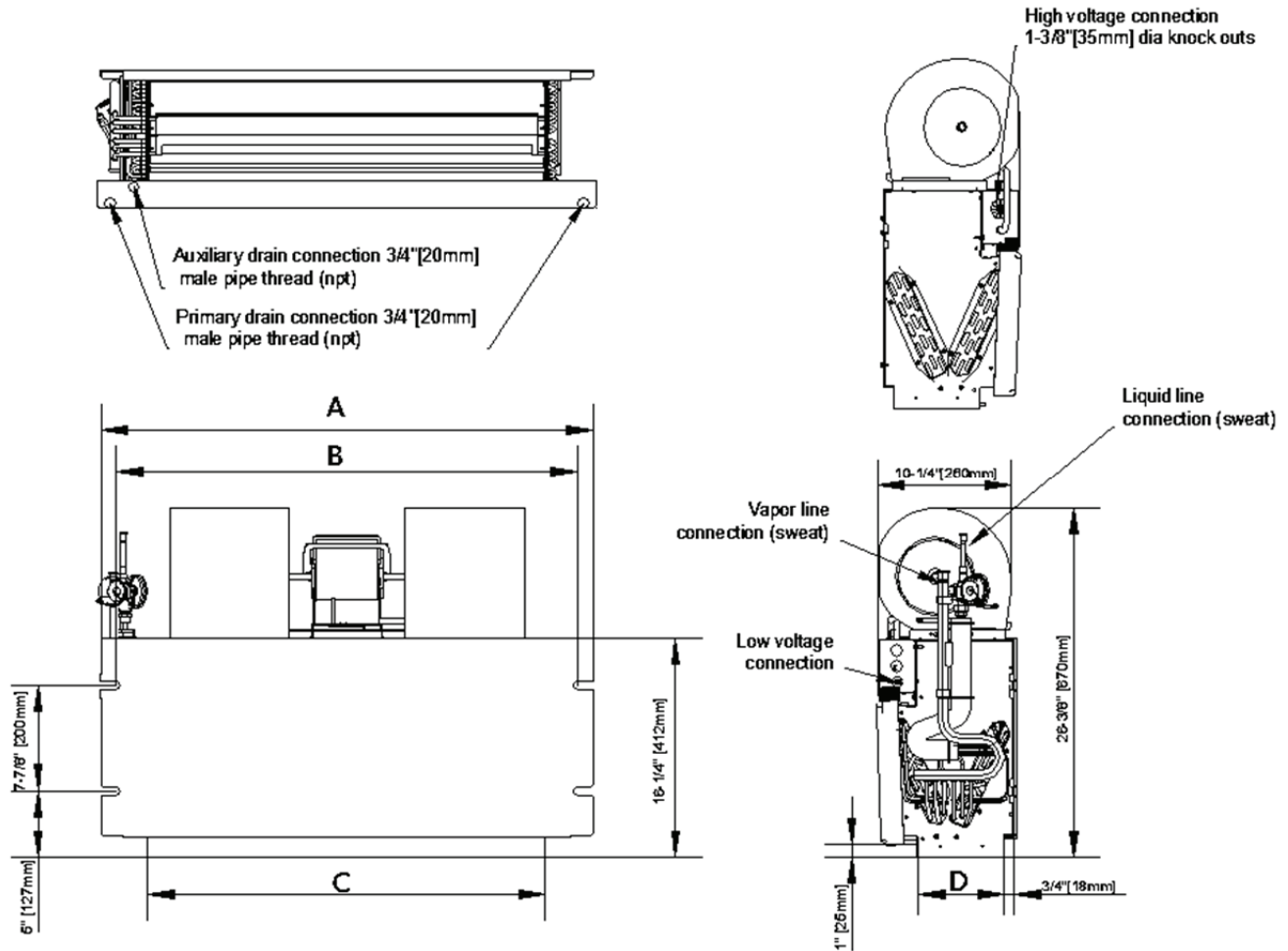
## FAN COIL MODEL NUMBER IDENTIFICATION GUIDE

|  |          |          |                   |             |                 |                  |          |                       |
|--|----------|----------|-------------------|-------------|-----------------|------------------|----------|-----------------------|
|  | <b>F</b> | <b>M</b> | <b>U</b>          | <b>4</b>    | <b>Z</b>        | <b>2400</b>      | <b>A</b> | <b>L</b>              |
| F = Fan Coil   |          |          |                   |             |                 |                  |          |                       |
| M = Multi-Family   |          | TYPE     |                   |             |                 |                  |          |                       |
| U = Uncased<br>C = Cased   |          |          | INSTALLATION TYPE |             |                 |                  |          |                       |
| 4 = Puron® Refrigerant   |          |          |                   | REFRIGERANT |                 |                  |          |                       |
| X = TXV & PSC Motor<br>Z = TXV & ECM Motor   |          |          |                   |             | METERING DEVICE |                  |          |                       |
| 1800 = 18,000 BTUH = 1-1/2 tons<br>2400 = 24,000 BTUH = 2 tons<br>3000 = 30,000 BTUH = 2-1/2 tons<br>3600 = 36,000 BTUH = 3 tons |          |          |                   |             |                 | NOMINAL CAPACITY |          |                       |
| A = Marketing Revision   |          |          |                   |             |                 |                  | REVISION |                       |
| L = All Aluminum Coils   |          |          |                   |             |                 |                  |          | SALES CODE / FEATURES |

## ELECTRIC HEATER MODEL NUMBER IDENTIFICATION GUIDE

|  |            |          |                    |          |
|--|------------|----------|--------------------|----------|
|  | <b>EHK</b> | <b>3</b> | <b>05</b>          | <b>B</b> |
| EHK = Electric Heater Kit  |            |          |                    |          |
| Sales Code   |            |          |                    |          |
| 03 = 3 kW<br>05 = 5 kW<br>06 = 6 kW<br>08 = 7.5 kW<br>10 = 10 kW |            |          | NOMINAL HEAT VALUE |          |
| Engineering Code   |            |          |                    |          |

## DIMENSIONS

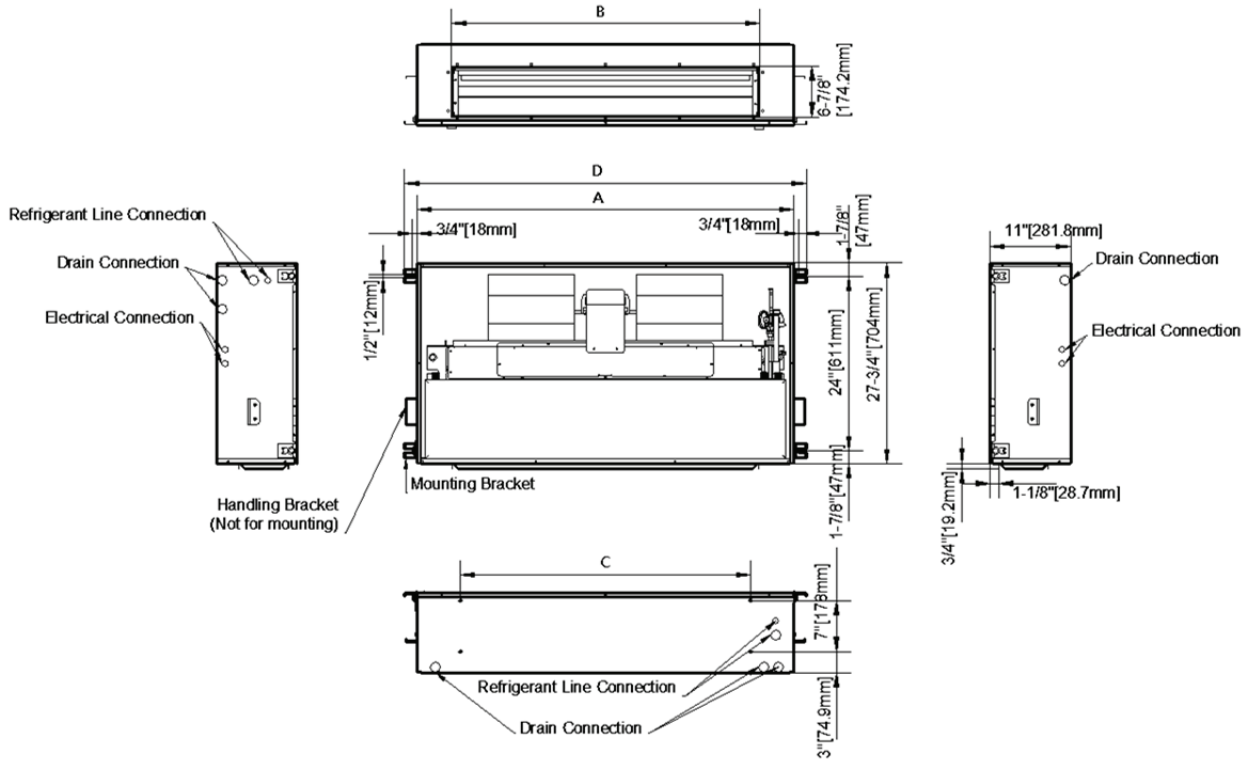


A170307

**FMU4X & FMU4Z Uncased Horizontal Fan Coil Dimensional Drawing  
(FMU4Z model shown)**

| Model Size | Dimensions- inches (mm) |                 |           |             | Unit Operating Weight<br>lbs (kg) |
|------------|-------------------------|-----------------|-----------|-------------|-----------------------------------|
|            | "A"                     | "B"             | "C"       | "D"         |                                   |
| <b>18</b>  | 37-1/4 (946)            | 34-11/16 (881)  | 30 (762)  | 6-1/2 (165) | 75 (34)                           |
| <b>24</b>  | 37-1/4 (946)            | 34-11/16 (881)  | 30 (762)  | 6-1/2 (165) | 75 (34)                           |
| <b>30</b>  | 49-1/4 (1251)           | 46-11/16 (1186) | 42 (1067) | 6-1/2 (165) | 93 (42)                           |
| <b>36</b>  | 49-1/4 (1251)           | 46-11/16 (1186) | 42 (1067) | 6-1/2 (165) | 93 (42)                           |

## DIMENSIONS



**FMC4X & FMC4Z Cased Horizontal Fan Coil Dimensional Drawing  
(FMC4Z model shown)**

A170308

| Model Size | Dimensions- inches (mm) |               |           |               | Unit Operating Weight<br>lbs (kg) |
|------------|-------------------------|---------------|-----------|---------------|-----------------------------------|
|            | "A"                     | "B"           | "C"       | "D"           |                                   |
| 18         | 39-3/4 (1010)           | 30-3/8 (771)  | 28 (711)  | 43-3/8 (1101) | 109 (49)                          |
| 24         | 39-3/4 (1010)           | 30-3/8 (771)  | 28 (711)  | 43-3/8 (1101) | 109 (49)                          |
| 30         | 51-3/4 (1315)           | 42-3/8 (1076) | 40 (1016) | 55-3/8 (1406) | 135 (61)                          |
| 36         | 51-3/4 (1315)           | 42-3/8 (1076) | 40 (1016) | 55-3/8 (1406) | 135 (61)                          |

| REQUIRED CLEARANCES - ALL MODELS inches (mm) |                  |   |
|--|------------------|---|
| No Heaters                                   | All Sides        | 0 |
|  | From Supply Duct | 0 |
| With Heaters                                 | All Sides        | 0 |
|  | From Supply Duct | 0 |

## PHYSICAL DATA

|   | Unit Size                       |                                 |                                 |                                 |
|---|---------------------------------|---------------------------------|---------------------------------|---------------------------------|
| <b>FM(U,C)4Z</b>                              | <b>18</b>                       | <b>24</b>                       | <b>30</b>                       | <b>36</b>                       |
| Nominal Cooling Capacity (BTUH)               | 18,000                          | 24,000                          | 30,000                          | 36,000                          |
| <b>COIL</b>                                   |                                 |                                 |                                 |                                 |
| Puron® (R-410A) - Refrigerant Metering Device | TXV                             | TXV                             | TXV                             | TXV                             |
| Coil Configuration                            | A-Coil                          |                                 |                                 |                                 |
| <b>BLOWER &amp; MOTOR</b>                     |                                 |                                 |                                 |                                 |
| Air Discharge                                 | Horizontal                      |                                 |                                 |                                 |
| Blower Type                                   | Dual Blower Direct Drive        |                                 |                                 |                                 |
| CFM (Nominal)                                 | 600                             | 800                             | 1000                            | 1200                            |
| Motor Type                                    | ECM                             | ECM                             | ECM                             | ECM                             |
| Motor HP                                      | 1/3                             | 1/3                             | 1/3                             | 1/3                             |
| Rated RPM                                     | 1050                            | 1050                            | 1050                            | 1050                            |
| Motor Speeds                                  | 5                               | 5                               | 5                               | 5                               |
| <b>FILTER</b>                                 |                                 |                                 |                                 |                                 |
| Field Installed - in. (mm)                    | Qty. 2- 16x20x1<br>(406x508x25) | Qty. 2- 16x20x1<br>(406x508x25) | Qty. 2- 20x20x1<br>(508x508x25) | Qty. 2- 20x20x1<br>(508x508x25) |
| <b>CONNECTIONS (Sweat)</b>                    |                                 |                                 |                                 |                                 |
| Suction - in. (mm)                            | 3/4 in. (19 mm)                 |                                 |                                 |                                 |
| Liquid - in. (mm)                             | 3/8 in. (9.5 mm)                |                                 |                                 |                                 |
| Condensate (MPT) - in. (mm)                   | 3/4 in. (19 mm)                 |                                 |                                 |                                 |
| <b>ELECTRICAL DATA</b>                        |                                 |                                 |                                 |                                 |
| Voltage                                       | 208/230                         | 208/230                         | 208/230                         | 208/230                         |
| Hertz   | 60                              | 60                              | 60                              | 60                              |
| Minimum Circuit Ampacity                      | 2.6                             | 2.6                             | 2.6                             | 2.6                             |
| Maximum Circuit Protector                     | 15 (A)                          | 15 (A)                          | 15 (A)                          | 15 (A)                          |

|  | Unit Size                       |                                 |                                 |                                 |
|--|---------------------------------|---------------------------------|---------------------------------|---------------------------------|
| <b>FM(U,C)4X</b>                             | <b>18</b>                       | <b>24</b>                       | <b>30</b>                       | <b>36</b>                       |
| Nominal Cooling Capacity (BTUH)              | 18,000                          | 24,000                          | 30,000                          | 36,000                          |
| <b>COIL</b>                                  |                                 |                                 |                                 |                                 |
| Puron®(R-410A) - Refrigerant Metering Device | TXV                             |                                 |                                 |                                 |
| Coil Configuration                           | A-Coil                          |                                 |                                 |                                 |
| <b>BLOWER &amp; MOTOR</b>                    |                                 |                                 |                                 |                                 |
| Air Discharge                                | Horizontal                      |                                 |                                 |                                 |
| Blower Type                                  | Dual Blower Direct Drive        |                                 |                                 |                                 |
| CFM (Nominal)                                | 600                             | 800                             | 1000                            | 1200                            |
| Motor Type                                   | PSC                             | PSC                             | PSC                             | PSC                             |
| Motor HP                                     | 1/8                             | 1/8                             | 1/3                             | 1/3                             |
| Rated RPM                                    | 1075                            | 1075                            | 1600                            | 1600                            |
| Motor Speeds                                 | 3                               | 3                               | 3                               | 3                               |
| <b>FILTER</b>                                |                                 |                                 |                                 |                                 |
| Field Installed - in. (mm)                   | Qty. 2- 16x20x1<br>(406x508x25) | Qty. 2- 16x20x1<br>(406x508x25) | Qty. 2- 20x20x1<br>(508x508x25) | Qty. 2- 20x20x1<br>(508x508x25) |
| <b>CONNECTIONS (Sweat)</b>                   |                                 |                                 |                                 |                                 |
| Suction - in. (mm)                           | 3/4 in. (19 mm)                 |                                 |                                 |                                 |
| Liquid - in. (mm)                            | 3/8 in. (9.5 mm)                |                                 |                                 |                                 |
| Condensate (MPT) - in. (mm)                  | 3/4 in. (19 mm)                 |                                 |                                 |                                 |
| <b>ELECTRICAL DATA</b>                       |                                 |                                 |                                 |                                 |
| Voltage                                      | 208/230                         | 208/230                         | 208/230                         | 208/230                         |
| Hertz  | 60                              | 60                              | 60                              | 60                              |
| Minimum Circuit Ampacity                     | 1.32                            | 1.32                            | 2.2                             | 2.2                             |
| Maximum Circuit Protector                    | 15 (A)                          | 15 (A)                          | 15 (A)                          | 15 (A)                          |

## PERFORMANCE DATA

### AIRFLOW PERFORMANCE (STANDARD CFM)

#### ECM - SELECTING HEAT PUMP SPEED OF ECM MOTOR (Uncased)

| Model | Motor Speed | CFM Wet Coil without Filter or Electric Heat, Uncased |           |             |           |            |            |            |            |
|-------|-------------|---|-----------|-------------|-----------|------------|------------|------------|------------|
|       |             | External Static Pressure-Inches W.C.[kPa]             |           |             |           |            |            |            |            |
|       |             | [0]   | 0.1[.025] | 0.15[.0375] | 0.2[.050] | 0.3[0.075] | 0.4[0.100] | 0.5[0.125] | 0.6[0.150] |
| 18    | 1           | 741   | 670       | 638         | 612       | 545        | 470        | 403        | 336        |
|       | 2           | 925   | 860       | 819         | 788       | 727        | 655        | 588        | 500        |
|       | 3           | 1069  | 1005      | 973         | 941       | 886        | 826        | 683        | 550        |
|       | 4           | 1193  | 1140      | 1106        | 1071      | 970        | 850        | 700        | 560        |
|       | 5           | 1288  | 1221      | 1177        | 1133      | 1024       | 895        | 745        | 575        |
| 24    | 1           | 741   | 670       | 638         | 612       | 545        | 470        | 403        | 336        |
|       | 2           | 925   | 860       | 819         | 788       | 727        | 655        | 588        | 500        |
|       | 3           | 1069  | 1005      | 973         | 941       | 886        | 826        | 683        | 550        |
|       | 4           | 1193  | 1140      | 1106        | 1071      | 970        | 850        | 700        | 560        |
|       | 5           | 1288  | 1221      | 1177        | 1133      | 1024       | 895        | 745        | 575        |
| 30    | 1           | 800   | 691       | 647         | 602       | 530        | 460        | 380        | 300        |
|       | 2           | 1025  | 921       | 871         | 820       | 723        | 628        | 536        | 448        |
|       | 3           | 1203  | 1106      | 1059        | 1011      | 916        | 822        | 729        | 636        |
|       | 4           | 1339  | 1266      | 1224        | 1181      | 1085       | 978        | 859        | 729        |
|       | 5           | 1468  | 1399      | 1361        | 1323      | 1253       | 1061       | 900        | 760        |
| 36    | 1           | 800   | 691       | 647         | 602       | 530        | 460        | 380        | 300        |
|       | 2           | 1025  | 921       | 871         | 820       | 723        | 628        | 536        | 448        |
|       | 3           | 1203  | 1106      | 1059        | 1011      | 916        | 822        | 729        | 636        |
|       | 4           | 1339  | 1266      | 1224        | 1181      | 1085       | 978        | 859        | 729        |
|       | 5           | 1468  | 1399      | 1361        | 1323      | 1253       | 1061       | 900        | 760        |

#### PSC- SELECTING HEAT PUMP SPEED OF PSC MOTOR (Uncased)

| Model | Motor Speed | CFM Wet Coil without Filter or Electric Heat, Uncased |             |             |             |            |             |            |             |
|-------|-------------|---|-------------|-------------|-------------|------------|-------------|------------|-------------|
|       |             | External Static Pressure-Inches W.C.[kPa]             |             |             |             |            |             |            |             |
|       |             | [0]   | 0.05[.0125] | 0.1[.025]   | 0.15[.0375] | 0.2[.050]  | 0.25[.0625] | 0.3[.075]  | 0.35[.0875] |
| 18    | Low         | 748   | 716         | 677         | 629         | 573        | 510         | 439        | 360         |
|       | Medium      | 955   | 910         | 855         | 792         | 719        | 638         | 547        | 448         |
|       | High        | 992   | 941         | 884         | 820         | 749        | 672         | 588        | 497         |
| 24    | Low         | 748   | 716         | 677         | 629         | 573        | 510         | 439        | 360         |
|       | Medium      | 955   | 910         | 855         | 792         | 719        | 638         | 547        | 448         |
|       | High        | 992   | 941         | 884         | 820         | 749        | 672         | 588        | 497         |
| Model | Motor Speed | CFM Wet Coil without Filter or Electric Heat, Uncased |             |             |             |            |             |            |             |
|       |             | External Static Pressure-Inches W.C.[kPa]             |             |             |             |            |             |            |             |
|       |             | [0]   | 0.1[.025]   | 0.15[.0375] | 0.2[.050]   | 0.3[0.075] | 0.4[0.100]  | 0.5[0.125] | 0.6[0.150]  |
| 30    | Low         | 1221  | 1132        | 1085        | 1037        | 936        | 831         | 720        | 603         |
|       | Medium      | 1331  | 1247        | 1202        | 1155        | 1055       | 947         | 831        | 707         |
|       | High        | 1442  | 1370        | 1328        | 1282        | 1178       | 1059        | 925        | 775         |
| 36    | Low         | 1221  | 1132        | 1085        | 1037        | 936        | 831         | 720        | 603         |
|       | Medium      | 1331  | 1247        | 1202        | 1155        | 1055       | 947         | 831        | 707         |
|       | High        | 1442  | 1370        | 1328        | 1282        | 1178       | 1059        | 925        | 775         |

■ - Shaded boxes represent airflow outside the required 300-450 CFM/ton.

#### NOTES:

- Airflow data is without filter or electric heat accessory. Heater adds 0.05 -in. static.
- Use wet coil data for determining cooling airflow
- Accessory louver panel adds 0.05 -in. Static.
- When electric heater is working only, 300CFM for each ton is sufficient except 30K work with 10KW heat ( $\geq 900$ SCFM)

## PERFORMANCE DATA (cont.)

### ECM - SELECTING HEAT PUMP SPEED OF ECM MOTOR (Cased, Back Return)

| Model | Motor Speed | CFM Wet Coil without Filter or Electric Heat, Cased, Back Return |           |             |           |           |           |           |             |
|-------|-------------|--|-----------|-------------|-----------|-----------|-----------|-----------|-------------|
|       |             | External Static Pressure-Inches W.C.[kPa]                        |           |             |           |           |           |           |             |
|       |             | [0]  | 0.1[.025] | 0.15[.0375] | 0.2[.050] | 0.3[.075] | 0.4[.100] | 0.5[.125] | 0.55[.1375] |
| 18K   | 1           | 753  | 655       | 609         | 564       | 481       | 407       | 340       | 309         |
|       | 2           | 913  | 828       | 787         | 746       | 666       | 588       | 513       | 476         |
|       | 3           | 1044   | 982       | 945         | 904       | 810       | 700       | 575       | 500         |
|       | 4           | 1153   | 1058      | 1007        | 953       | 837       | 711       | 578       | 503         |
|       | 5           | 1163   | 1068      | 1017        | 963       | 847       | 719       | 580       | 506         |
| 24K   | 1           | 753  | 655       | 609         | 564       | 481       | 407       | 340       | 309         |
|       | 2           | 913  | 828       | 787         | 746       | 666       | 588       | 513       | 476         |
|       | 3           | 1044   | 982       | 945         | 904       | 810       | 700       | 575       | 500         |
|       | 4           | 1153   | 1058      | 1007        | 953       | 837       | 711       | 578       | 503         |
|       | 5           | 1163   | 1068      | 1017        | 963       | 847       | 719       | 580       | 506         |
| 30K   | 1           | 801  | 700       | 651         | 602       | 508       | 418       | 331       | 288         |
|       | 2           | 1015   | 916       | 869         | 822       | 731       | 645       | 562       | 523         |
|       | 3           | 1177   | 1107      | 1069        | 1029      | 943       | 848       | 745       | 670         |
|       | 4           | 1327   | 1279      | 1245        | 1203      | 1098      | 963       | 795       | 692         |
|       | 5           | 1493   | 1404      | 1350        | 1289      | 1150      | 987       | 798       | 695         |
| 36K   | 1           | 801  | 700       | 651         | 602       | 508       | 418       | 331       | 288         |
|       | 2           | 1015   | 916       | 869         | 822       | 731       | 645       | 562       | 523         |
|       | 3           | 1177   | 1107      | 1069        | 1029      | 943       | 848       | 745       | 670         |
|       | 4           | 1327   | 1279      | 1245        | 1203      | 1098      | 963       | 795       | 692         |
|       | 5           | 1493   | 1404      | 1350        | 1289      | 1150      | 987       | 798       | 695         |

### ECM- SELECTING HEAT PUMP SPEED OF ECM MOTOR (Cased, Bottom Return)

| Model | Motor Speed | CFM Wet Coil without Filter or Electric Heat, Cased, Bottom Return |           |             |           |           |           |           |             |
|-------|-------------|--|-----------|-------------|-----------|-----------|-----------|-----------|-------------|
|       |             | External Static Pressure-Inches W.C.[kPa]                          |           |             |           |           |           |           |             |
|       |             | [0]  | 0.1[.025] | 0.15[.0375] | 0.2[.050] | 0.3[.075] | 0.4[.100] | 0.5[.125] | 0.55[.1375] |
| 18K   | 1           | 756  | 658       | 611         | 566       | 480       | 400       | 325       | 290         |
|       | 2           | 946  | 855       | 810         | 766       | 675       | 591       | 506       | 464         |
|       | 3           | 1035   | 965       | 926         | 883       | 788       | 681       | 561       | 497         |
|       | 4           | 1208   | 1110      | 1056        | 999       | 874       | 736       | 585       | 504         |
|       | 5           | 1225   | 1132      | 1079        | 1023      | 898       | 758       | 602       | 518         |
| 24K   | 1           | 756  | 658       | 611         | 566       | 480       | 400       | 325       | 290         |
|       | 2           | 946  | 855       | 810         | 766       | 678       | 591       | 506       | 464         |
|       | 3           | 1035   | 965       | 926         | 883       | 788       | 681       | 561       | 497         |
|       | 4           | 1208   | 1110      | 1056        | 999       | 874       | 736       | 585       | 504         |
|       | 5           | 1225   | 1132      | 1079        | 1023      | 898       | 758       | 602       | 518         |
| 30K   | 1           | 796  | 712       | 670         | 626       | 537       | 445       | 351       | 302         |
|       | 2           | 1012   | 901       | 850         | 801       | 709       | 627       | 555       | 522         |
|       | 3           | 1156   | 1083      | 1044        | 1002      | 911       | 811       | 702       | 616         |
|       | 4           | 1310   | 1197      | 1150        | 1101      | 980       | 850       | 708       | 626         |
|       | 5           | 1469   | 1328      | 1256        | 1182      | 1031      | 875       | 714       | 632         |
| 36K   | 1           | 796  | 712       | 670         | 626       | 537       | 445       | 351       | 302         |
|       | 2           | 1012   | 901       | 850         | 801       | 709       | 627       | 555       | 522         |
|       | 3           | 1156   | 1083      | 1044        | 1002      | 911       | 811       | 702       | 616         |
|       | 4           | 1310   | 1197      | 1150        | 1101      | 980       | 850       | 708       | 626         |
|       | 5           | 1469   | 1328      | 1256        | 1182      | 1031      | 875       | 714       | 632         |

■ – Shaded boxes represent airflow outside the required 300-450 CFM/ton.

**NOTES:**

- Airflow data is without filter or electric heat accessory. Heater adds 0.05 –in. static.
- Use wet coil data for determining cooling airflow
- Accessory louver panel adds 0.05 –in. Static.
- When electric heater is working only, 300CFM for each ton is sufficient except 30K work with 10KW heat ( $\geq 900$ SCFM)

## PERFORMANCE DATA (cont.)

### PSC- SELECTING HEAT PUMP SPEED OF PSC MOTOR (Cased, Back Return)

| Model | Motor Speed | CFM Wet Coil without Filter or Electric Heat, Cased, Back Return |             |             |             |           |             |           |             |
|-------|-------------|--|-------------|-------------|-------------|-----------|-------------|-----------|-------------|
|       |             | External Static Pressure-Inches W.C.[kPa]                        |             |             |             |           |             |           |             |
|       |             | [0]  | 0.05[.0125] | 0.1[.025]   | 0.15[.0375] | 0.2[.050] | 0.25[.0625] | 0.3[.075] | 0.35[.0875] |
| 18K   | L           | 714  | 679         | 636         | 585         | 527       | 461         | 387       | 306         |
|       | M           | 829  | 790         | 743         | 690         | 628       | 559         | 483       | 399         |
|       | H           | 876  | 830         | 776         | 723         | 662       | 593         | 517       | 432         |
| 24K   | L           | 714  | 679         | 636         | 585         | 527       | 461         | 387       | 306         |
|       | M           | 829  | 790         | 743         | 690         | 628       | 559         | 483       | 399         |
|       | H           | 876  | 830         | 776         | 723         | 662       | 593         | 517       | 432         |
| Model | Motor Speed | CFM Wet Coil without Filter or Electric Heat, Cased, Back Return |             |             |             |           |             |           |             |
|       |             | External Static Pressure-Inches W.C.[kPa]                        |             |             |             |           |             |           |             |
|       |             | [0]  | 0.1[.025]   | 0.15[.0375] | 0.2[.050]   | 0.3[.075] | 0.4[.100]   | 0.5[.125] | 0.6[.150]   |
| 30K   | L           | 1191   | 1096        | 1047        | 997         | 894       | 787         | 675       | 560         |
|       | M           | 1299   | 1201        | 1151        | 1101        | 1000      | 897         | 793       | 687         |
|       | H           | 1435   | 1323        | 1268        | 1214        | 1107      | 1003        | 902       | 804         |
| 36K   | L           | 1191   | 1096        | 1047        | 997         | 894       | 787         | 675       | 560         |
|       | M           | 1299   | 1201        | 1151        | 1101        | 1000      | 897         | 793       | 687         |
|       | H           | 1435   | 1323        | 1268        | 1214        | 1107      | 1003        | 902       | 804         |

### PSC- SELECTING HEAT PUMP SPEED OF PSC MOTOR (Cased, Bottom Return)

| Model | CFM Wet Coil without Filter or Electric Heat, Cased, Bottom Return |             |             |             |            |           |             |
|-------|--|-------------|-------------|-------------|------------|-----------|-------------|
|       | External Static Pressure-Inches W.C.[kPa]                          |             |             |             |            |           |             |
|       | [0]  | 0.05[.0125] | 0.1[.025]   | 0.15[.0375] | .25[.0625] | 0.3[.075] | 0.35[.0875] |
| 18K   | 726  | 689         | 645         | 593         | 464        | 392       | 315         |
|       | 845  | 801         | 753         | 692         | 559        | 487       | 411         |
|       | 887  | 832         | 773         | 711         | 573        | 498       | 419         |
| 24K   | 726  | 689         | 645         | 593         | 464        | 392       | 315         |
|       | 845  | 801         | 753         | 692         | 559        | 487       | 411         |
|       | 887  | 832         | 773         | 711         | 573        | 498       | 419         |
| Model | CFM Wet Coil without Filter or Electric Heat, Cased, Bottom Return |             |             |             |            |           |             |
|       | External Static Pressure-Inches W.C.[kPa]                          |             |             |             |            |           |             |
|       | [0]  | 0.1[.025]   | 0.15[.0375] | 0.2[.050]   | .4[.100]   | 0.5[.125] | 0.6[.150]   |
| 30K   | 1200   | 1095        | 1042        | 989         | 768        | 655       | 539         |
|       | 1305   | 1208        | 1158        | 1106        | 884        | 764       | 638         |
|       | 1423   | 1327        | 1276        | 1224        | 994        | 867       | 733         |
| 36K   | 1200   | 1095        | 1042        | 989         | 768        | 655       | 539         |
|       | 1305   | 1208        | 1158        | 1106        | 884        | 764       | 638         |
|       | 1423   | 1327        | 1276        | 1224        | 994        | 867       | 733         |

■ – Shaded boxes represent airflow outside the required 300-450 CFM/ton.

**NOTES:**

1. Airflow data is without filter or electric heat accessory. Heater adds 0.05 –in. static.
2. Use wet coil data for determining cooling airflow
3. Accessory louver panel adds 0.05 –in. Static.
4. When electric heater is working only, 300CFM for each ton is sufficient except 30K work with 10KW heat (≥900SCFM)

### REQUIRED CFM RANGE

| Size | CFM |      |
|------|-----|------|
|      | Min | Max  |
| 18   | 450 | 675  |
| 24   | 600 | 900  |
| 30   | 750 | 1125 |
| 36   | 900 | 1350 |



## PERFORMANCE DATA (cont.)

### GROSS COOLING CAPACITIES (MBH)

| INDOOR COIL AIR   |     | SATURATED TEMPERATURE LEAVING EVAPORATOR (deg F) |       |      |       |       |      |       |       |      |       |       |      |       |       |      |
|---|-----|--|-------|------|-------|-------|------|-------|-------|------|-------|-------|------|-------|-------|------|
|   |     | 35   |       |      | 40    |       |      | 45    |       |      | 50    |       |      | 55    |       |      |
| CFM   | EWB | TC   | SHC   | BF   | TC    | SHC   | BF   | TC    | SHC   | BF   | TC    | SHC   | BF   | TC    | SHC   | BF   |
| <b>FM(C,U)4(X,Z)1800AL</b>                              |     |  |       |      |       |       |      |       |       |      |       |       |      |       |       |      |
| 525   | 72  | 31.17  | 15.22 | 0.00 | 28.42 | 13.93 | 0.03 | 25.33 | 12.56 | 0.05 | 21.81 | 11.10 | 0.05 | 17.82 | 9.55  | 0.06 |
|   | 67  | 25.90  | 15.84 | 0.06 | 23.07 | 14.47 | 0.06 | 19.86 | 13.00 | 0.06 | 16.23 | 11.45 | 0.06 | 12.13 | 9.82  | 0.06 |
|   | 62  | 21.06  | 16.35 | 0.06 | 18.13 | 14.89 | 0.06 | 14.92 | 13.40 | 0.06 | 12.25 | 12.25 | 0.10 | 10.38 | 10.38 | 0.24 |
| 600   | 72  | 33.78  | 16.47 | 0.02 | 30.86 | 15.12 | 0.05 | 27.54 | 13.67 | 0.06 | 23.73 | 12.10 | 0.07 | 19.39 | 10.43 | 0.07 |
|   | 67  | 28.16  | 17.29 | 0.07 | 25.11 | 15.83 | 0.07 | 21.63 | 14.26 | 0.07 | 17.67 | 12.58 | 0.07 | 13.20 | 10.82 | 0.07 |
|   | 62  | 22.93  | 17.96 | 0.07 | 19.75 | 16.40 | 0.07 | 16.30 | 14.81 | 0.07 | 13.55 | 13.55 | 0.12 | 11.48 | 11.48 | 0.25 |
| 675   | 72  | 36.15  | 17.59 | 0.04 | 33.06 | 16.20 | 0.06 | 29.52 | 14.68 | 0.07 | 25.47 | 13.03 | 0.08 | 20.81 | 11.25 | 0.08 |
|   | 67  | 30.20  | 18.62 | 0.08 | 26.95 | 17.09 | 0.08 | 23.24 | 15.43 | 0.09 | 18.99 | 13.65 | 0.09 | 14.19 | 11.76 | 0.09 |
|   | 62  | 24.63  | 19.47 | 0.09 | 21.23 | 17.81 | 0.09 | 17.59 | 16.15 | 0.09 | 14.79 | 14.79 | 0.14 | 12.52 | 12.52 | 0.27 |
| <b>SATURATED TEMPERATURE LEAVING EVAPORATOR (deg F)</b> |     |  |       |      |       |       |      |       |       |      |       |       |      |       |       |      |
| INDOOR COIL AIR   |     | 35   |       |      | 40    |       |      | 45    |       |      | 50    |       |      | 55    |       |      |
| CFM   | EWB | TC   | SHC   | BF   | TC    | SHC   | BF   | TC    | SHC   | BF   | TC    | SHC   | BF   | TC    | SHC   | BF   |
| <b>FM(C,U)4(X,Z)2400AL</b>                              |     |  |       |      |       |       |      |       |       |      |       |       |      |       |       |      |
| 700   | 72  | 37.46  | 18.58 | 0.05 | 34.27 | 17.12 | 0.07 | 30.61 | 15.52 | 0.08 | 26.42 | 13.79 | 0.08 | 21.59 | 11.92 | 0.09 |
|   | 67  | 31.31  | 19.71 | 0.09 | 27.96 | 18.11 | 0.09 | 24.11 | 16.37 | 0.09 | 19.71 | 14.48 | 0.09 | 14.73 | 12.49 | 0.09 |
|   | 62  | 25.55  | 20.65 | 0.09 | 22.03 | 18.91 | 0.09 | 18.28 | 17.17 | 0.09 | 15.43 | 15.43 | 0.15 | 13.06 | 13.06 | 0.28 |
| 800   | 72  | 40.19  | 19.94 | 0.07 | 36.84 | 18.43 | 0.09 | 32.95 | 16.76 | 0.10 | 28.46 | 14.93 | 0.10 | 23.29 | 12.94 | 0.10 |
|   | 67  | 33.69  | 21.36 | 0.11 | 30.12 | 19.68 | 0.11 | 26.01 | 17.84 | 0.11 | 21.28 | 15.84 | 0.11 | 15.93 | 13.71 | 0.11 |
|   | 62  | 27.55  | 22.54 | 0.11 | 23.79 | 20.71 | 0.11 | 19.86 | 18.91 | 0.11 | 16.99 | 16.99 | 0.17 | 14.38 | 14.38 | 0.30 |
| 900   | 72  | 42.69  | 21.21 | 0.09 | 39.17 | 19.65 | 0.10 | 35.06 | 17.92 | 0.11 | 30.32 | 16.01 | 0.11 | 24.84 | 13.91 | 0.12 |
|   | 67  | 35.86  | 22.91 | 0.12 | 32.09 | 21.16 | 0.12 | 27.75 | 19.24 | 0.12 | 22.73 | 17.13 | 0.12 | 17.05 | 14.89 | 0.12 |
|   | 62  | 29.39  | 24.36 | 0.12 | 25.42 | 22.44 | 0.12 | 21.37 | 20.58 | 0.12 | 18.44 | 18.44 | 0.20 | 15.62 | 15.62 | 0.32 |
| <b>SATURATED TEMPERATURE LEAVING EVAPORATOR (deg F)</b> |     |  |       |      |       |       |      |       |       |      |       |       |      |       |       |      |
| INDOOR COIL AIR   |     | 35   |       |      | 40    |       |      | 45    |       |      | 50    |       |      | 55    |       |      |
| CFM   | EWB | TC   | SHC   | BF   | TC    | SHC   | BF   | TC    | SHC   | BF   | TC    | SHC   | BF   | TC    | SHC   | BF   |
| <b>FM(C,U)4(X,Z)3000AL</b>                              |     |  |       |      |       |       |      |       |       |      |       |       |      |       |       |      |
| 875   | 72  | 43.25  | 21.49 | 0.03 | 39.50 | 19.74 | 0.06 | 35.30 | 17.88 | 0.06 | 30.45 | 15.85 | 0.07 | 24.89 | 13.66 | 0.07 |
|   | 67  | 36.06  | 22.72 | 0.08 | 32.19 | 20.84 | 0.08 | 27.76 | 18.80 | 0.08 | 22.68 | 16.60 | 0.08 | 16.92 | 14.27 | 0.08 |
|   | 62  | 29.39  | 23.75 | 0.08 | 25.33 | 21.71 | 0.08 | 20.93 | 19.65 | 0.08 | 17.49 | 17.49 | 0.13 | 14.78 | 14.78 | 0.26 |
| 1000  | 72  | 46.56  | 23.14 | 0.05 | 42.58 | 21.32 | 0.07 | 38.10 | 19.36 | 0.08 | 32.92 | 17.23 | 0.09 | 26.93 | 14.89 | 0.09 |
|   | 67  | 38.91  | 24.68 | 0.09 | 34.80 | 22.72 | 0.09 | 30.04 | 20.56 | 0.09 | 24.57 | 18.21 | 0.09 | 18.36 | 15.72 | 0.09 |
|   | 62  | 31.78  | 26.00 | 0.09 | 27.44 | 23.85 | 0.09 | 22.80 | 21.69 | 0.09 | 19.32 | 19.32 | 0.15 | 16.33 | 16.33 | 0.28 |
| 1125  | 72  | 49.47  | 24.61 | 0.08 | 45.31 | 22.74 | 0.09 | 40.58 | 20.72 | 0.10 | 35.11 | 18.48 | 0.10 | 28.77 | 16.03 | 0.10 |
|   | 67  | 41.45  | 26.48 | 0.11 | 37.10 | 24.44 | 0.11 | 32.08 | 22.19 | 0.11 | 26.27 | 19.72 | 0.11 | 19.67 | 17.09 | 0.11 |
|   | 62  | 33.93  | 28.10 | 0.11 | 29.33 | 25.84 | 0.11 | 24.54 | 23.64 | 0.11 | 21.04 | 21.04 | 0.18 | 17.79 | 17.79 | 0.30 |
| <b>SATURATED TEMPERATURE LEAVING EVAPORATOR (deg F)</b> |     |  |       |      |       |       |      |       |       |      |       |       |      |       |       |      |
| INDOOR COIL AIR   |     | 35   |       |      | 40    |       |      | 45    |       |      | 50    |       |      | 55    |       |      |
| CFM   | EWB | TC   | SHC   | BF   | TC    | SHC   | BF   | TC    | SHC   | BF   | TC    | SHC   | BF   | TC    | SHC   | BF   |
| <b>FM(C,U)4(X,Z)3600AL</b>                              |     |  |       |      |       |       |      |       |       |      |       |       |      |       |       |      |
| 1050  | 72  | 50.80  | 24.99 | 0.06 | 46.48 | 23.05 | 0.08 | 41.61 | 20.96 | 0.09 | 35.97 | 18.67 | 0.09 | 29.45 | 16.17 | 0.09 |
|   | 67  | 42.50  | 26.75 | 0.10 | 38.02 | 24.65 | 0.10 | 32.84 | 22.34 | 0.10 | 26.88 | 19.82 | 0.10 | 20.10 | 17.13 | 0.10 |
|   | 62  | 34.75  | 28.27 | 0.10 | 30.01 | 25.95 | 0.10 | 25.00 | 23.66 | 0.10 | 21.30 | 21.30 | 0.16 | 18.00 | 18.00 | 0.29 |
| 1200  | 72  | 54.31  | 26.77 | 0.09 | 49.78 | 24.77 | 0.10 | 44.61 | 22.60 | 0.11 | 38.62 | 20.20 | 0.11 | 31.67 | 17.55 | 0.11 |
|   | 67  | 45.56  | 28.94 | 0.12 | 40.81 | 26.75 | 0.12 | 35.32 | 24.32 | 0.12 | 28.94 | 21.66 | 0.12 | 21.70 | 18.81 | 0.12 |
|   | 62  | 37.34  | 30.82 | 0.12 | 32.32 | 28.41 | 0.12 | 27.16 | 26.06 | 0.12 | 23.43 | 23.43 | 0.19 | 19.81 | 19.81 | 0.32 |
| 1350  | 72  | 57.64  | 28.49 | 0.11 | 52.87 | 26.43 | 0.11 | 47.45 | 24.18 | 0.12 | 41.12 | 21.68 | 0.12 | 33.79 | 18.92 | 0.12 |
|   | 67  | 48.46  | 31.08 | 0.13 | 43.46 | 28.81 | 0.13 | 37.67 | 26.29 | 0.13 | 30.92 | 23.49 | 0.13 | 23.27 | 20.51 | 0.13 |
|   | 62  | 39.80  | 33.36 | 0.13 | 34.58 | 30.89 | 0.13 | 29.26 | 28.42 | 0.13 | 25.42 | 25.42 | 0.22 | 21.51 | 21.51 | 0.34 |

## PERFORMANCE DATA (cont.)

### SENSIBLE CAPACITY (SHC) CORRECTION FACTOR

| <b>BYPASS FACTOR</b>     | <b>ENTERING AIR DRY-BULB TEMPERATURE (°F)</b> |      |      |      |         |                                  |
|--------------------------|---|------|------|------|---------|----------------------------------|
|                          | 79  | 78   | 77   | 76   | 75      | Under 75                         |
|                          | 81  | 82   | 83   | 84   | 85      | Over 85                          |
|                          | <b>ENTERING AIR DRY-BULB TEMPERATURE (°C)</b> |      |      |      |         |                                  |
|                          | 26  | 25   | 25   | 24   | 24      | Under 75                         |
| 27                       | 28  | 28   | 29   | 29   | Over 85 |                                  |
| <b>Correction Factor</b> |   |      |      |      |         |                                  |
| 0.10                     | .098  | 1.96 | 2.94 | 3.92 | 4.91    | Use<br>formula<br>shown<br>below |
| 0.20                     | 0.87  | 1.74 | 2.62 | 3.49 | 4.36    |                                  |
| 0.30                     | 0.76  | 1.53 | 2.29 | 3.05 | 3.82    |                                  |

Interpolation is permissible.

$$\text{Correction Factor} = 1.09 \times (1 - \text{BF}) \times (\text{db} - 80)$$

**NOTES:**

1. Contact manufacturer for cooling capacities at conditions other than shown in table.
2. Formulas:  
 Leaving db = entering db -  $\frac{\text{sensible heat cap.}}{1.09 \times \text{CFM}}$   
 Leaving wb = wb corresponding to enthalpy of air leaving coil ( $h_{lwb}$ )  
 $h_{lwb} = h_{ewb} - \frac{\text{total capacity (Btuh)}}{4.5 \times \text{CFM}}$   
 where  $h_{ewb}$  = enthalpy of air entering coil. Direct interpolation is permissible. Do not extrapolate.
3. SHC is based on 80°F (27°C) db temperature of air entering coil. Below 80°F (27°C) db, subtract (Correction Factor x CFM) from SHC. Above 80°F (27°C) db, add (Correction Factor x CFM) to SHC.
4. Bypass Factor = 0 indicates no psychometric solution. Use bypass factor of next lower EWB for approximation.

### ESTIMATED SOUND POWER LEVEL (dBA)

| <b>PSC ESTIMATED SOUND PRESSURE LEVEL</b> |          |     |     |      |      |
|---|----------|-----|-----|------|------|
| Unit Size                                 |          | 18K | 24K | 30K  | 36K  |
| Indoor sound pressure level               | dBA High | 54  | 54  | 62.5 | 62.5 |
| ESTIMATED SOUND POWER                     | W High   | 66  | 66  | 74.5 | 74.5 |

| <b>SOUND PRESSURE DATA</b> |            |                     |                              |      |      |      |      |      |      |
|----------------------------|------------|---------------------|------------------------------|------|------|------|------|------|------|
| UNIT SIZE                  | CONDITIONS |                     | OCTAVE BAND CENTER FREQUENCY |      |      |      |      |      |      |
|                            | CFM        | Ext Static Pressure | 63                           | 125  | 250  | 500  | 1000 | 2000 | 4000 |
| 18                         | 600        | 0.18                | 49.1                         | 51.8 | 45.1 | 47.1 | 48.8 | 45.7 | 42.7 |
| 24                         | 800        | 0.18                | 49.1                         | 51.8 | 45.1 | 47.1 | 48.8 | 45.7 | 42.7 |
| 30                         | 1000       | 0.24                | 66.3                         | 57.3 | 60.0 | 61.8 | 55.2 | 52.7 | 49.6 |
| 36                         | 1200       | 0.24                | 66.3                         | 57.3 | 60.0 | 61.8 | 55.2 | 52.7 | 49.6 |

| <b>ECM ESTIMATED SOUND PRESSURE LEVEL</b> |          |     |     |      |      |
|---|----------|-----|-----|------|------|
| Unit Size                                 |          | 18K | 24K | 30K  | 36K  |
| Indoor sound pressure level               | dBA High | 54  | 54  | 62.5 | 62.5 |
| ESTIMATED SOUND POWER                     | W High   | 66  | 66  | 74.5 | 74.5 |

| <b>SOUND PRESSURE DATA</b> |            |                     |                              |      |      |      |      |      |      |
|----------------------------|------------|---------------------|------------------------------|------|------|------|------|------|------|
| UNIT SIZE                  | CONDITIONS |                     | OCTAVE BAND CENTER FREQUENCY |      |      |      |      |      |      |
|                            | CFM        | Ext Static Pressure | 63                           | 125  | 250  | 500  | 1000 | 2000 | 4000 |
| 18                         | 600        | 0.18                | 49.1                         | 51.8 | 45.1 | 47.1 | 48.8 | 45.7 | 42.7 |
| 24                         | 800        | 0.18                | 49.1                         | 51.8 | 45.1 | 47.1 | 48.8 | 45.7 | 42.7 |
| 30                         | 1000       | 0.24                | 66.3                         | 57.3 | 60.0 | 61.8 | 55.2 | 52.7 | 49.6 |
| 36                         | 1200       | 0.24                | 66.3                         | 57.3 | 60.0 | 61.8 | 55.2 | 52.7 | 49.6 |

\* Estimated sound power levels have been derived using the method described in the 1987 ASHRAE HVAC Systems & Applications Handbook, Chapter 52, p. 52.7.

## PERFORMANCE DATA (cont.)

### OPTIONAL FIELD-INSTALLED ELECTRIC HEAT PACKAGES

| HEATER PART NUMBER WITH TDR | SIZES USED WITH | NOMINAL kw @ 240V | HEATER VOLTS-PHASE (60 Hz) | HEATER CAPACITY (MBH) |      | MIN. CIRCUIT AMPACITY |      | MAX. FUSE OR BREAKER (HACR) AMPACITY |     | APPROX. SHIP WGT. LBS. (kg) |
|-----------------------------|-----------------|-------------------|----------------------------|-----------------------|------|-----------------------|------|--------------------------------------|-----|-----------------------------|
|                             |                 |                   |                            | 208                   | 240  | 208                   | 240  | 208                                  | 240 |                             |
| EHK303B                     | All             | 3                 | 208/240-1                  | 7.7                   | 10.2 | 15.8                  | 17.9 | 20                                   | 20  | 10 (4.5)                    |
| EHK305B                     | All             | 5                 | 208/240-1                  | 12.8                  | 17.1 | 24.9                  | 28.3 | 30                                   | 30  | 10 (4.5)                    |
| EHK306B                     | All             | 6                 | 208/240-1                  | 15.4                  | 20.5 | 29.4                  | 33.5 | 35                                   | 35  | 10 (4.5)                    |
| EHK308B                     | All             | 7.5               | 208/240-1                  | 19.3                  | 25.7 | 36.1                  | 41.4 | 50                                   | 50  | 10 (4.5)                    |
| EHK310B                     | All             | 10                | 208/240-1                  | 24.7                  | 32.8 | 45.5                  | 52.3 | 60                                   | 60  | 10 (4.5)                    |

### OTHER ACCESSORIES

| Kit Number   | Description                                   | Used on sizes  |
|--------------|---|----------------|
| KFAGP0101COV | Solid Access Panel, Small                     | 18, 24         |
| KFAGP0101LGL | Louvered Access Panel with Filter Rack, Small | 18, 24         |
| KFAGP0201COV | Solid Access Panel, Large                     | 30, 36         |
| KFAGP0201LGL | Louvered Access Panel with Filter Rack, Large | 30, 36         |
| KSATX0601HSO | TXV Kit R-22                                  | 18, 24, 30, 36 |
| KSATX0201PUR | TXV Kit - Puron®                              | 18, 24, 30     |
| KSATX0301PUR | TXV Kit - Puron®                              | 36             |
| KFAET0150ETK | PVC Condensate Trap Kit (50 pack)             | 18, 24, 30, 36 |

