

# FUJITSU



## FF\*\*\*LT96 Series

96% A.F.U.E.†

Input Rates from 60 to 115 kBTU  
[11.72 to 33.71 kW]

Manufactured for

**Fujitsu General America, Inc.**

Fairfield, NJ



## COMMUNICATING TWO-STAGE VARIABLE SPEED MULTI-POSITION GAS FURNACES

### Features

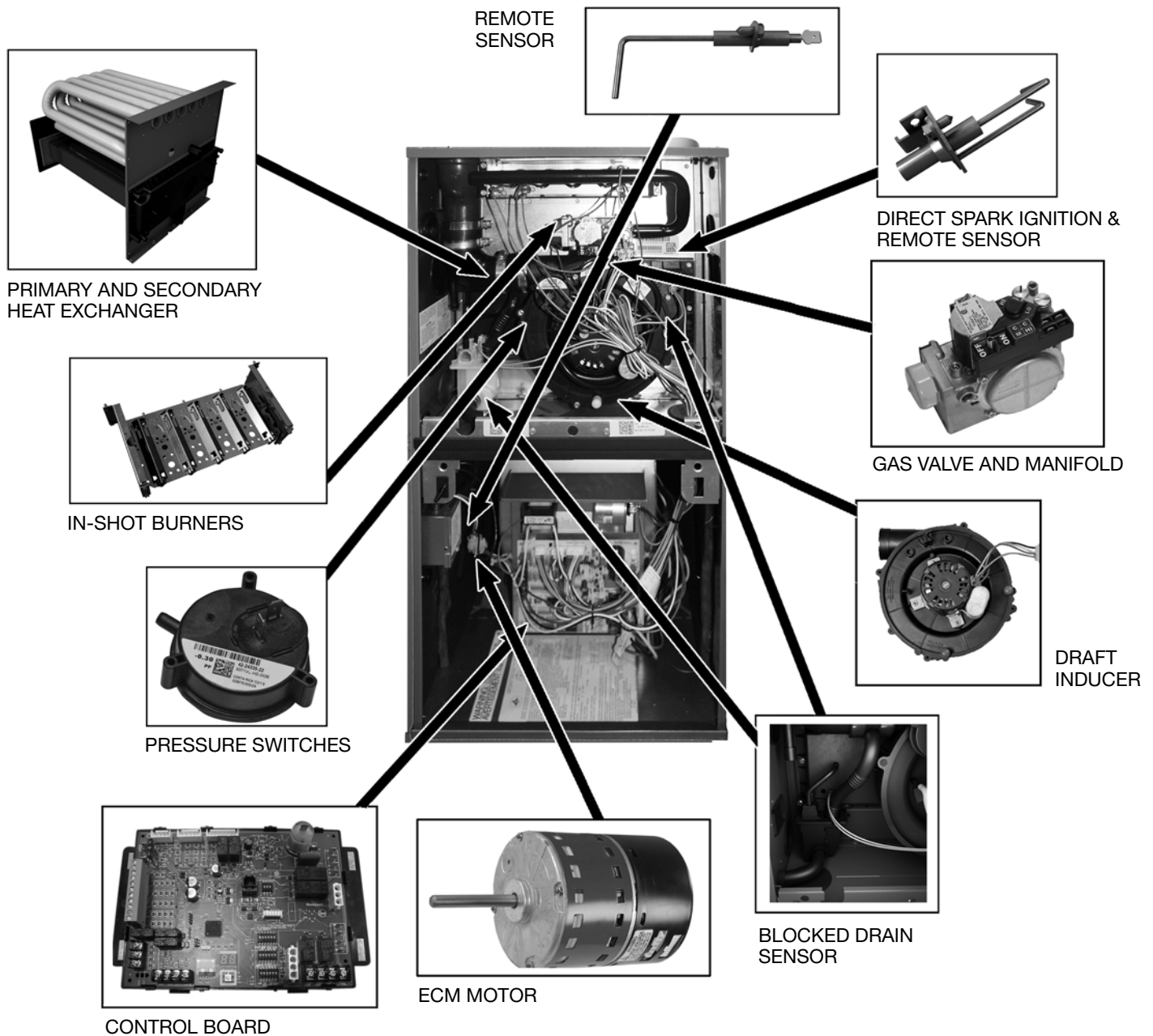
- 96% residential gas furnace CSA certified
- 4 way multi-poise design
- Two stages of operation to save energy and maintain optimal comfort level.
- Variable speed blower motor technology provides ultimate humidity control, quieter sound levels, and year round energy savings.
- EcoNet® enabled HVAC product
- Diagnostics 7-Segment LED all units
- Ignition System – DSI for reliability and longevity
- Water Management System with patented Blocked Drain Sensor
- Heat exchanger is removable for improved serviceability. Aluminized steel primary and stainless steel secondary construction provide maximum corrosion resistance and thermal fatigue reliability.
- Low profile “34 inch” cabinet ideal for space constrained installations.
- Blower Shelf design – serviceable in all furnace orientations
- Pre marked hoses – insures proper system drainage
- Vent with 2" or 3" PVC
- Replaceable Collector box
- Hemmed edges on cabinet and doors
- Quarter turn fasteners for tool less access
- Integrated control boards feature dip switches for easy system set up
- Self priming condensate trap
- Solid bottom included
- Compatible with single or two stage thermostats. For optimal performance a two stage thermostat is recommended.

†A.F.U.E. (Annual Fuel Utilization Efficiency) calculated in accordance with Department of Energy test procedures.



## TABLE OF CONTENTS

Standard & Optional Equipment .....	3
Physical Data & Specifications .....	4
Model Number Identification .....	5
Dimensional Data.....	6
Blower Performance Data.....	7
Accessories .....	8-9
Limited Warranty .....	10



## STANDARD EQUIPMENT

Completely assembled and wired; blocked drain sensor, 7 segment LED and marked hoses; heat exchanger; primary: aluminized steel, secondary: 29-4C stainless steel; 2 stage induced draft; pressure switches; redundant 2 stage main gas control; blower compartment door safety switch; solid state time on/off blower control; limit controls; manual shut-off valve; 100% safety lock out; cool fan off delay; field selectable heat fan off delay; one hour automatic retry; power and self-test diagnostics; flame sense current diagnostics; electronic air cleaner connections; humidifier connections; humidifier on/off delay; low speed continuous fan option; single speed option for heating and cooling applications; transformer; direct drive, variable speed electrically commutated blower motor (ECM). Solid bottom. (Please note: a thermostat is not included as standard equipment.)

## OPTIONAL EQUIPMENT

Side and bottom filter racks; return air cabinet for all sizes.  
NOTE: Furnace is not listed for use with fuels other than natural or L.P. (propane) gas.  
All models can be converted by a qualified distributor or local service dealer to use L.P. (propane) gas without changing burners. Factory approved kits must be used to convert from natural to L.P. (propane) gas and may be ordered as optional accessories from a parts distributor.  
For L.P. (propane) operation, refer to Conversion Kit Index Form.

**WARNING**  
THIS FURNACE IS NOT APPROVED  
OR RECOMMENDED  
FOR USE IN MOBILE HOMES

## Physical Data and Specifications—Upflow Models U.S. and Canadian Models

MODEL NUMBERS	FF60173LT96M	FF70173LT96M	FF85215LT96M	FF100215LT96M	FF115245LT96M
HIGH FIRE INPUT BTU/HR [kW] ①	56,000 [16.41]	70,000 [20.50]	84,000 [24.61]	98,000 [28.72]	112,000 [32.82]
LOW FIRE INPUT	39,200 [11.49]	49,000 [14.36]	58,800 [17.23]	68,600 [20.11]	78,400 [23.00]
HEATING CAPACITY BTU/HR [kW]	55,000 [16.12]	68,000 [19.93]	82,000 [24.03]	95,000 [27.84]	109,000 [31.94]
HIGH ALTITUDE OUTPUT 10% DERATE [kW] ②	48,384 [14.18]	60,480 [17.72]	72,756 [21.27]	84,672 [24.81]	96,768 [28.36]
BLOWER (D x W) [mm]	11 x 8 [279 x 203]	11 x 8 [279 x 203]	11 x 10 [279 x 254]	11 x 10 [279 x 254]	11 x 11 [279 x 279]
MOTOR H.P. [W]— TYPE	1/2 [373] E.C.M.	1/2 [373] E.C.M.	3/4 [559] E.C.M.	3/4 [559] E.C.M.	3/4 [559] E.C.M.
MIN. CIRCUIT AMPACITY	7.00	9.00	12.00	12.00	12.00
MIN. OVERLOAD PROTECTION DEVICE	15.00	15.00	15.00	15.00	15.00
MAX. OVERLOAD PROTECTION DEVICE	15.00	15.00	20.00	20.00	15.00
MINIMUM EXT. STATIC PRESSURE (IN. W.C.) [kPa]	.20 [.050]	.23 [.057]	.28 [.070]	.28 [.070]	.28 [.070]
MAXIMUM EXT. STATIC PRESSURE (IN. W.C.) [kPa]	1.0 [0.249]	1.0 [0.249]	1.0 [0.249]	1.0 [0.249]	1.0 [0.249]
HEATING CFM @ MAX W.C. E.S.P. [L/s]	1025 [484]	1015 [479]	1470 [694]	1710 [807]	1450 [684]
FACTORY SETTING HEATING CFM [L/s]	1025 [484]	1015 [479]	1470 [694]	1710 [807]	1450 [684]
COOLING CFM @ .5" [.124 kPa] W.C. E.S.P. [L/s]	1050 [496]	1050 [496]	1750 [826]	1750 [826]	1750 [826]
TEMPERATURE RISE-HIGH FIRE RANGE IN DEGREES °F [°C]	30 - 60 [17 - 33]	40 - 70 [22 - 39]	30 - 60 [17 - 33]	40 - 70 [22 - 39]	45 - 75 [25 - 42]
TEMPERATURE RISE-LOW FIRE RANGE IN DEGREES °F [°C]	20 - 50 [11 - 28]	30 - 60 [17 - 33]	20 - 50 [11 - 28]	30 - 60 [17 - 33]	35 - 63 [19 - 36]
APPROX. SHIPPING WEIGHT (LBS.) [kg]	128 [58]	132 [60]	147.5 [67]	152 [69]	165 [75]
AFUE ③	96.00%	96.00%	96.00%	96.00%	96.00%

NOTES: All models are 115V, 60HZ, 1 phase Gas connection size for all models is 1/2" [13 mm] N.P.T.

① Installation instructions for high altitude derate.

② Canadian installations only.

③ In accordance with D.O.E. test procedures.

\*S=Standard Models

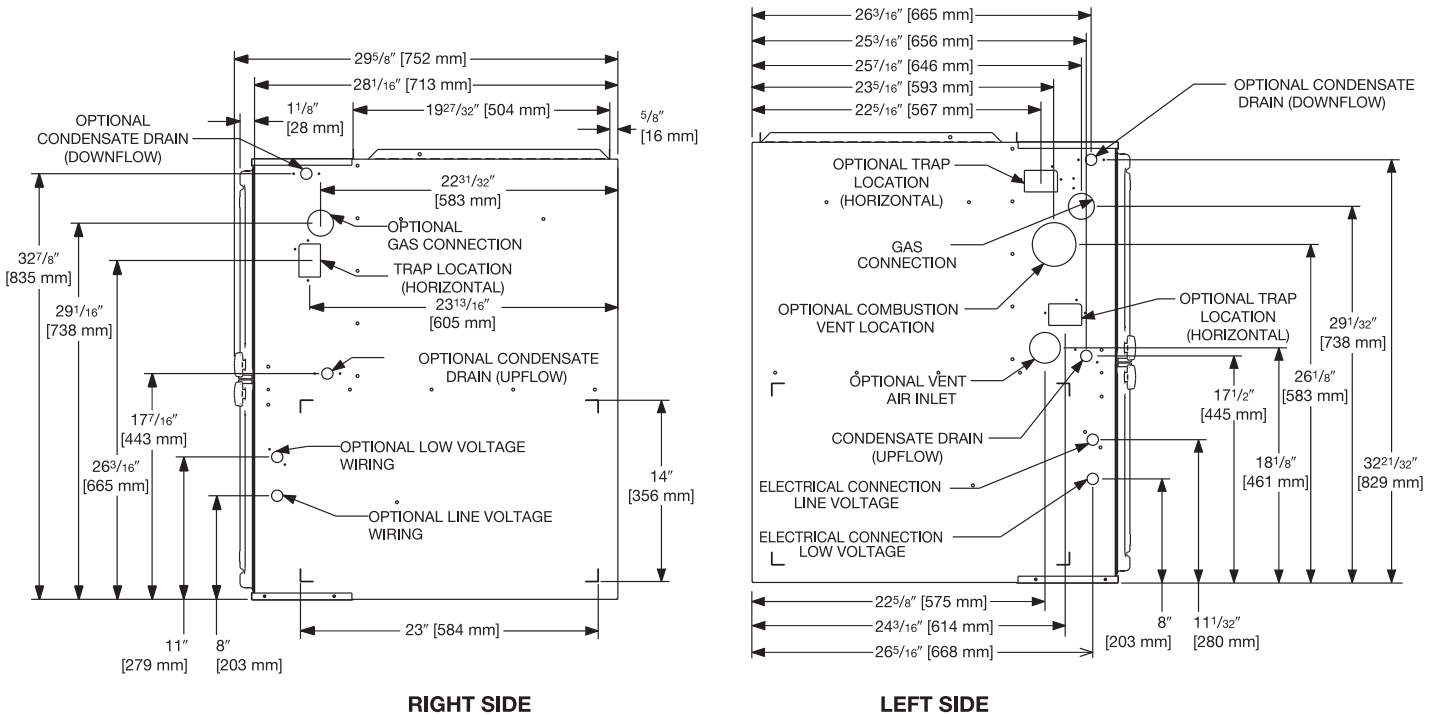
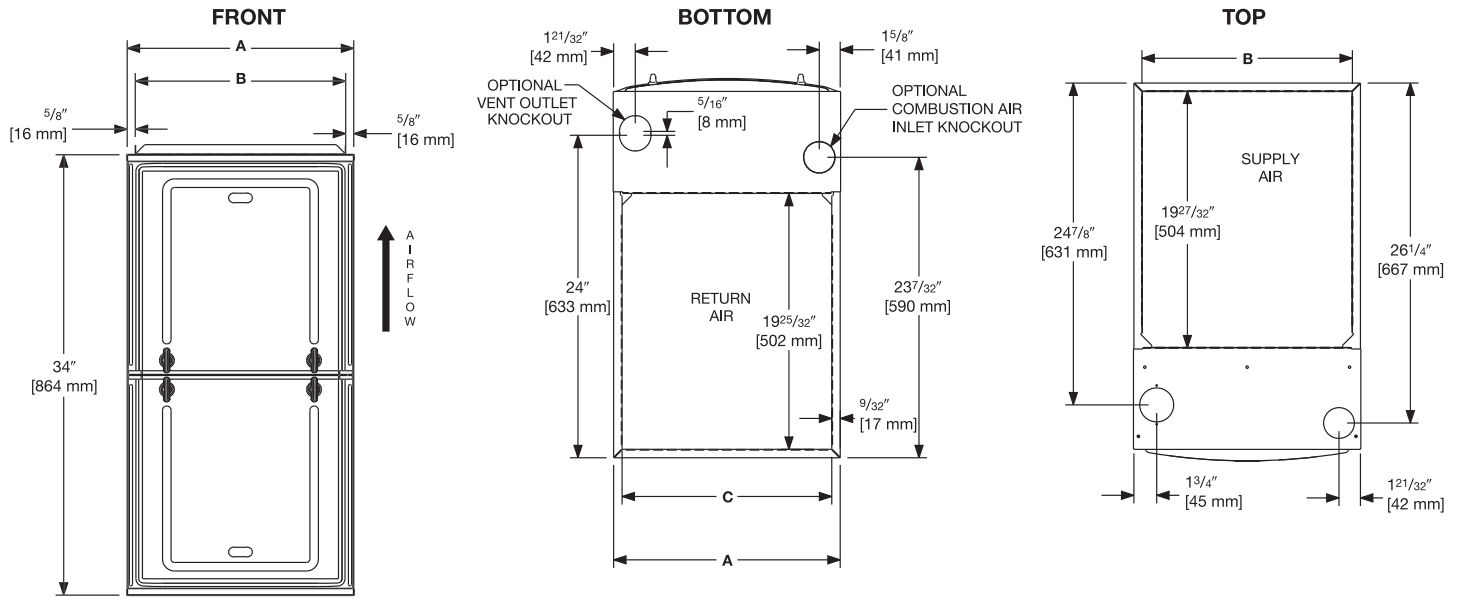
NOTE: Standard model complies with California low nox requirements.

[ ] Designates Metric Conversions

# Model Number Identification

<u>FF</u>	<u>60</u>	<u>17</u>	<u>3</u>	<u>L</u>	<u>T</u>	<u>96</u>	<u>M</u>
Product	Capacity	Width	Airflow	Motor	Speed	Efficiency	Orientation
Furnace	060 = 56,000 [16.41 kW] 070 = 70,000 [20.51 kW] 085 = 84,000 [24.62 kW] 100 = 98,000 [28.72 kW] 115 = 112,000 [32.82 kW]	17 = 17.5" 21 = 21.0" 24 = 24.5"	3 = Up To 3 Tons 5 = Up To 5 Tons	L = ECM	T = Two-Stage	96 = 96%	M = Multipoise

[ ] Designates Metric Conversions



### UNIT DIMENSIONS (CLEARANCE TO COMBUSTIBLES)

MODEL FF***LT96	LEFT SIDE	MINIMUM CLEARANCE (IN.) [mm]					SHIP WGTS.	FLANGE DIMENSIONS		
		RIGHT SIDE	BACK	TOP	FRONT	VENT		A	B	C
060	0	0	0	1 [25]	2 [51]	0	128 [58]	17 1/2 [445]	16 17/64 [413]	16 13/64 [412]
070	0	0	0	1 [25]	2 [51]	0	132 [60]	17 1/2 [445]	16 17/64 [413]	16 13/64 [412]
085	0	0	0	1 [25]	2 [51]	0	147.5 [67]	21 [533]	19 49/64 [502]	19 45/64 [500]
100	0	0	0	1 [25]	2 [51]	0	152 [69]	21 [533]	19 49/64 [502]	19 45/64 [500]
115	0	0	0	1 [25]	2 [51]	0	165 [75]	24 1/2 [662]	23 17/64 [591]	23 13/64 [589]

\*A service clearance of at least 24" is recommended in front of all furnaces  
Supply and return depicted as upflow configuration.  
Flange configuration will vary depending on installation orientation.

[ ] Designates Metric Conversions

MODEL NUMBER				FF60173LT96M	FF70173LT96M	FF85215LT96M	FF100215LT96M	FF115245LT96M
TARGET GAS HEATING AIRFLOW	HIGH HEATING CFM [L/s]	SW 15 = OFF	SW 16 = OFF	1025 [484]	1015 [479]	1470 [694]	1710 [807]	1450 [684]
		SW 15 = ON	SW 16 = OFF	880 [415]	950 [448]	1235 [583]	1490 [703]	1300 [614]
		SW 15 = OFF	SW 16 = ON	1250 [590]	1190 [562]	1850 [873]	1965 [927]	1700 [802]
		SW 15 = ON	SW 16 = ON	780 [368]	900 [425]	1120 [529]	1400 [661]	1225 [578]
	LOW HEATING CFM [L/s]	SW 13 = OFF	SW 14 = OFF	925 [437]	900 [425]	1300 [614]	1500 [708]	1250 [590]
		SW 13 = ON	SW 14 = OFF	750 [354]	770 [363]	1065 [503]	1335 [630]	1060 [500]
		SW 13 = OFF	SW 14 = ON	1210 [571]	1050 [496]	1775 [838]	1800 [850]	1400 [661]
		SW 13 = ON	SW 14 = ON	660 [311]	700 [330]	925 [437]	1210 [571]	960 [453]
TARGET COOLING/ HEAT-PUMP AIRFLOW	HIGH COOLING CFM [L/s]	SW 4 = OFF	SW 5 = OFF	1050 [496]	1050 [496]	1750 [826]	1750 [826]	1750 [826]
		SW 4 = ON	SW 5 = OFF	875 [413]	875 [413]	1400 [661]	1400 [661]	1400 [661]
		SW 4 = OFF	SW 5 = ON	700 [330]	700 [330]	1225 [578]	1225 [578]	1225 [578]
		SW 4 = ON	SW 5 = ON	525 [248]	525 [248]	1050 [496]	1050 [496]	1050 [496]
	LOW COOLING CFM [L/s]	SW 4 = OFF	SW 5 = OFF	788 [371]	788 [371]	1313 [618]	1313 [618]	1313 [618]
		SW 4 = ON	SW 5 = OFF	656 [309]	656 [309]	1050 [495]	1050 [495]	1050 [495]
		SW 4 = OFF	SW 5 = ON	525 [247]	525 [247]	919 [433]	919 [433]	919 [433]
		SW 4 = ON	SW 5 = ON	394 [186]	394 [186]	788 [371]	788 [371]	788 [371]

\*S = Standard Models

NOTE Standard model complies with California low NOx requirements.

[ ] Designates Metric Conversions.

## VENT TERMINATION KITS: =

**RXGY-E02:** Vertical/Horizontal Concentric Vent Termination Kit 2" Pipe (US Only)

**RXGY-E02A:** Vertical/Horizontal Concentric Vent Termination Kit 2" Pipe (US & Canadian)

**RXGY-E03:** Vertical/Horizontal Concentric Vent Termination Kit 3" Pipe (US Only)

**RXGY-E03A:** Vertical/Horizontal Concentric Vent Termination Kit 3" Pipe (US & Canadian)

**RXGY-G02:** Direct Vent Furnace Side Wall Vent 2" or 3" (US Only)

**RXGY-D05:** Combustion Air Drain Kit 2"

**RXGY-D06:** Combustion Air Drain Kit 3"

**NEUTRALIZER KIT:** RXGY-A01  
(Replacement Cartridge 54-22120-01)

**EXTERNAL BOTTOM FILTER (UPFLOW/HORIZONTAL) RACK:**  
RXGF-CB

**EXTERNAL SIDE (UPFLOW) FILTER RACK:** RXGF-CD

**EXTERNAL (DOWNFLOW) FILTER RACK:** RXGF-CC

FILTER RACK FILTER SIZES* INCHES [mm]			
MODEL FF***LT96	RXGF-CB (UPFLOW/ HORIZONTAL)	RXGF-CD (UPFLOW)	RXGF-CC (DOWNFLOW)
060	15 <sup>3</sup> / <sub>4</sub> x 25 [400 x 635]	15 <sup>3</sup> / <sub>4</sub> x 25 [400 x 635]	12 x 20 [305 x 508]
070	15 <sup>3</sup> / <sub>4</sub> x 25 [400 x 635]	15 <sup>3</sup> / <sub>4</sub> x 25 [400 x 635]	12 x 20 [305 x 508]
085	19 <sup>1</sup> / <sub>4</sub> x 25 [489 x 635]	15 <sup>3</sup> / <sub>4</sub> x 25 [400 x 635]	12 x 20 [305 x 508]
100	19 <sup>1</sup> / <sub>4</sub> x 25 [489 x 635]	15 <sup>3</sup> / <sub>4</sub> x 25 [400 x 635]	12 x 20 [305 x 508]
115	22 <sup>3</sup> / <sub>4</sub> x 25 [578 x 635]	15 <sup>3</sup> / <sub>4</sub> x 25 [400 x 635]	14 x 20 [356 x 508]

\*Filter racks are shipped without filters.  
Filters shipped with furnace may be used or a suitable 1" [25.4 mm] filter.

[ ] Designates Metric Conversions

MODEL NUMBER
RXBC-D17A1
RXBC-D21A1
RXBC-D21B1
RXBC-D24A1

## FOR HIGH ALTITUDES:

**NOTE:** For Canadian installations only, an optional derate (manifold gas pressure reduction) method may be used to adjust the furnace for altitude. See Installation Instructions for more information. This optional method may **NOT** be used for U.S. installations. See installation instructions as appropriate orifice change is required.

OPTIONAL HIGH ALTITUDE HEATING AIRFLOW ADJUSTMENT KITS			
KIT NUMBER	SEA LEVEL INPUT (BTU)	MINIMUM ELEVATION KIT RECOMMENDED	MAXIMUM ELEVATION KIT RECOMMENDED
RXGY-58	42000	6000	10000
RXGY-59	56000		
RXGY-60	70000		
RXGY-61	84000		
RXGY-62	98000		
RXGY-63	112000		

**L.P. CONVERSION KIT:** RXGJ-FP34

**CONDENSATE PUMP KIT:** PROSTOCK & 1PCB151TUL

**DOWNFLOW/HORIZONTAL CONVERSION KIT:** RXGY-CK

**DOWNFLOW/HORIZONTAL LEFT ZERO CLEARANCE  
CONVERSION KIT:** RXGY-ZK

**COMBUSTIBLE FLOOR BASE:** RXGC-B17  
RXGC-B21  
RXGC-B24



## **ECONET CONTROL** **RECOMMENDED COMMUNICATING FURNACE CONTROL**



### **FETST601SYS**

#### **CONTRACTOR BENEFITS:**

- Auto/Self Configuration
- Day-at-a-glance scheduling, with programmable fan
- Intuitive wiring connections
- Dual fuel ready
- Automatically optimizes airflow
- System status & mode information
- Complete diagnostic information on display

#### **HOMEOWNER BENEFITS:**

- Large, easy to read icons and characters
- Auto-mode control
- Smart recovery
- Continuous Fan Mode (5 speeds)
- Humidity Control
- Water heater, pool heater integration\* (check model compatibility)

#### **\*CONTROL ACCESSORIES:**

Wall Plate = RCPN-AMC08

\*Available through PROSTOCK®.

**GENERAL TERMS OF LIMITED WARRANTY\***

*Fujitsu General America, Inc.* will furnish a replacement for any part of this product which fails in normal use and service within the applicable period stated, in accordance with the terms of the limited warranty.

**\*For complete details of the Limited and Conditional Warranties, including applicable terms and conditions, contact your local contractor or the Manufacturer for a copy of the product warranty certificate.**

Parts .....Ten (10) Years  
Heat Exchanger .....Limited Lifetime  
    Limited Lifetime  
Conditional Unit Replacement  
    (Registration Required) .....Ten (10) Years



---

**Before proceeding with installation, refer to installation instructions packaged with each model, as well as complying with all Federal, State, Provincial, and Local codes, regulations, and practices.**

*"In keeping with its policy of continuous progress and product improvement, the right is reserved to make changes without notice."*