

# FUJITSU



## FF\*\*\*PS95 Series

95% A.F.U.E.†

Input Rates from 40 to 115 kBTU  
[11.72 to 33.71 kW]

Manufactured for

**Fujitsu General America, Inc.**

Fairfield, NJ

## MULTI POSITION GAS FURNACE

### Features

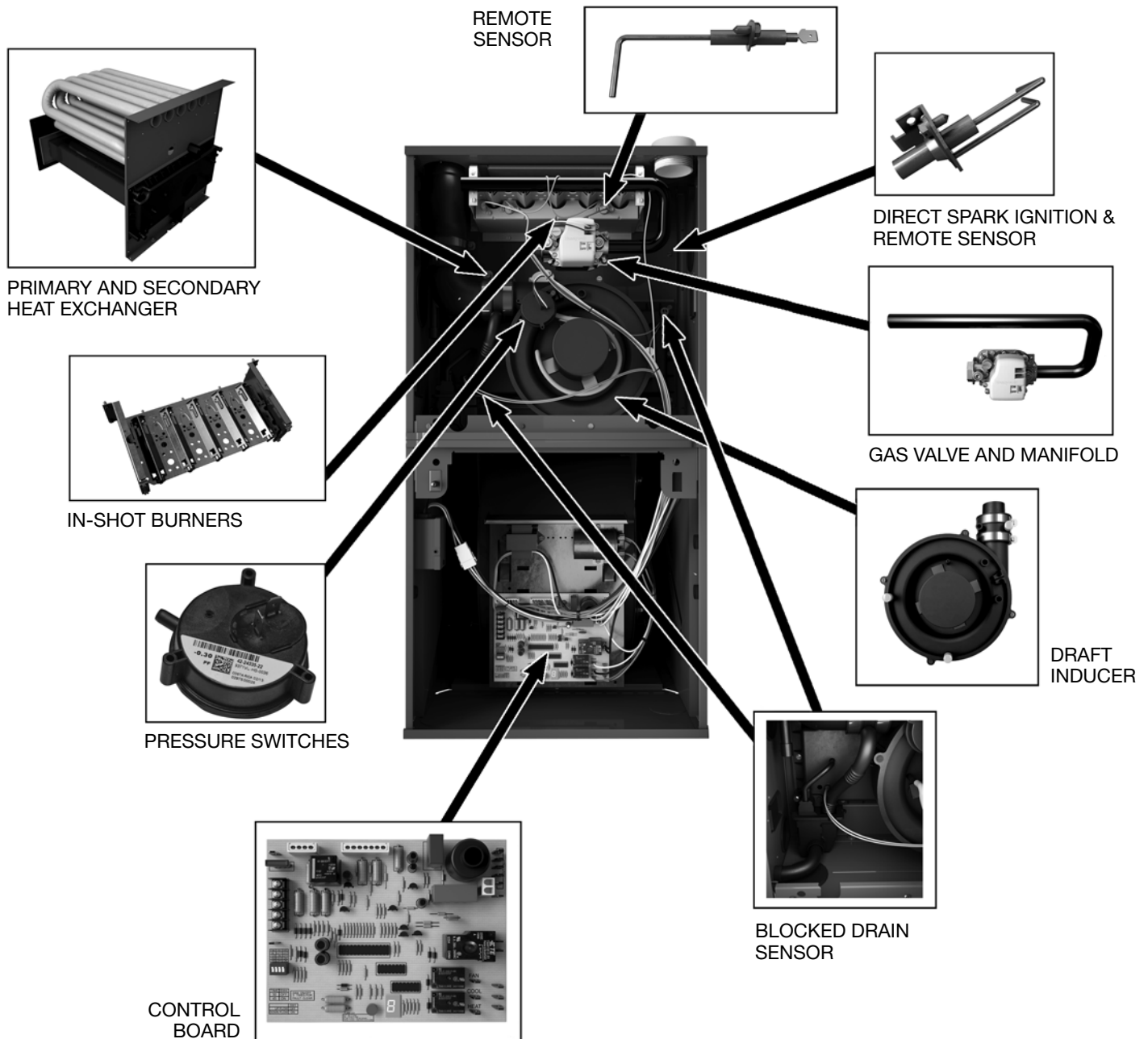
- 95% residential gas furnace CSA certified
- 4 way multi-poise design
- 7-Segment LED all units
- Direct Spark Ignition for reliability and longevity
- Water Management System with patented Blocked Drain Sensor
- Heat exchanger is removable for improved serviceability. Aluminized steel primary and stainless steel secondary construction provide maximum corrosion resistance and thermal fatigue reliability.
- Low profile "34 inch" cabinet ideal for space constrained installations.
- Blower Shelf design – serviceable in all furnace orientations
- Pre marked hoses – insures proper system drainage
- Vent with 2" or 3" PVC
- Replaceable Collector box
- Hemmed edges on cabinet and doors
- Quarter turn fasteners for tool less access
- Integrated control boards feature dip switches for easy system set up
- Self priming condensate trap
- Solid bottom included

†A.F.U.E. (Annual Fuel Utilization Efficiency) calculated in accordance with Department of Energy test procedures.



## TABLE OF CONTENTS

Standard & Optional Equipment .....	3
Physical Data & Specifications .....	4
Model Number Identification .....	5
Dimensional Data.....	6
Blower Performance Data.....	7
Accessories.....	8
Limited Warranty .....	9



## STANDARD EQUIPMENT

Completely assembled and wired; blocked drain sensor, 7 segment LED and marked hoses; heat exchanger; primary: aluminized steel, secondary: 29-4C stainless steel; induced draft; pressure switches; redundant main gas control; blower compartment door safety switch; solid state time on/off blower control; limit controls; manual shut-off valve; 100% safety lock out; cool fan off delay; field selectable heat fan off delay; one hour automatic retry; power and self-test diagnostics; flame sense current diagnostics; electronic air cleaner connections; twinning (built-in) features; humidifier connections; humidifier on/off delay; low speed continuous fan option; single speed option for heating and cooling applications; transformer; direct drive, multi-speed blower motor. (Please note: a thermostat is not included as standard equipment.)

## OPTIONAL EQUIPMENT

Side and bottom filter racks; return air cabinet for all sizes.

NOTE: Furnace is not listed for use with fuels other than natural or L.P. (propane) gas.

All models can be converted by a qualified distributor or local service dealer to use L.P. (propane) gas without changing burners. Factory approved kits must be used to convert from natural to L.P. (propane) gas and may be ordered as optional accessories from a parts distributor.

For L.P. (propane) operation, refer to Conversion Kit Index Form.

## WARNING

THIS FURNACE IS NOT APPROVED  
OR RECOMMENDED  
FOR USE IN MOBILE HOMES

## Physical Data and Specifications—Upflow Models U.S. and Canadian Models

MODEL NUMBERS	FF40173PS95M	FF60173PS95M	FF70173PS95M	FF85215PS95M	FF100215PS95M	FF115245PS95M
HIGH FIRE INPUT BTU/HR [kW] ①	42,000 [12.31]	56,000 [16.41]	70,000 [20.50]	84,000 [24.61]	98,000 [28.72]	112,000 [32.82]
HEATING CAPACITY BTU/HR [kW]	41,000 [12.02]	54,000 [15.83]	68,000 [19.93]	81,000 [24.03]	95,000 [27.84]	108,000 [31.65]
HIGH ALTITUDE OUTPUT 10% DERATE [kW] ②	36,288 [10.64]	48,384 [14.18]	60,480 [17.72]	72,576 [21.28]	84,672 [24.81]	96,768 [28.36]
BLOWER (D x W) [mm]	11 x 7 [279 x 178]	11 x 8 [279 x 203]	11 x 8 [279 x 203]	11 x 10 [279 x 254]	11 x 10 [279 x 254]	11 x 11 [279 x 279]
MOTOR H.P. [W]— TYPE	1/4 [187]-4-PSC	1/2 [373]-4-PSC	1/2 [373]-4-PSC	3/4 [559]-4-PSC	3/4 [559]-4-PSC	3/4 [559]-4-PSC
MIN. CIRCUIT AMPACITY	8	11	11	13	13	13
MIN. OVERLOAD PROTECTION DEVICE	15	15	15	15	15	15
MAX. OVERLOAD PROTECTION DEVICE	15	15	15	20	20	20
HEATING SPEED	MED-HIGH	MED-HIGH	MED-HIGH	MED-HIGH	MED-HIGH	MED-HIGH
COOLING SPEED	HIGH	HIGH	HIGH	HIGH	HIGH	HIGH
MINIMUM EXT. STATIC PRESSURE (IN. W.C.) [kPa]	.18 [.045]	.20 [.050]	.23 [.057]	.28 [.070]	.28 [.070]	.28 [.070]
MAXIMUM EXT. STATIC PRESSURE (IN. W.C.) [kPa]	0.8 [0.19]	0.8 [0.19]	0.8 [0.19]	0.8 [0.19]	0.8 [0.19]	0.8 [0.19]
HEATING CFM @ .2" [.049 kPa] W.C. E.S.P. [L/s]	1049 [494]	1139 [537]	1211 [571]	1704 [804]	1748 [825]	1750 [825]
COOLING CFM @ .5" [.124 kPa] W.C. E.S.P. [L/s]	1121 [528]	1232 [581]	1318 [622]	1742 [822]	1782 [841]	1934 [912]
TEMPERATURE RISE-HIGH FIRE RANGE IN DEGREES °F [°C]	25 - 55 [14 - 31]	35 - 65 [19 - 36]	40 - 70 [22 - 39]	35 - 65 [19 - 36]	35 - 65 [19 - 36]	45 - 75 [25 - 42]
APPROX. SHIPPING WEIGHT (LBS.) [kg]	123.5 [56]	128 [58]	132 [60]	147.5 [67]	152 [69]	165 [75]
AFUE ③	95.00%	95.00%	95.00%	95.00%	95.00%	95.00%

NOTES: All models are 115V, 60HZ, 1 phase Gas connection size for all models is 1/2" [13 mm] N.P.T.

① Installation instructions for high altitude derate.

② Canadian installations only.

③ In accordance with D.O.E. test procedures.

\*S=Standard Models

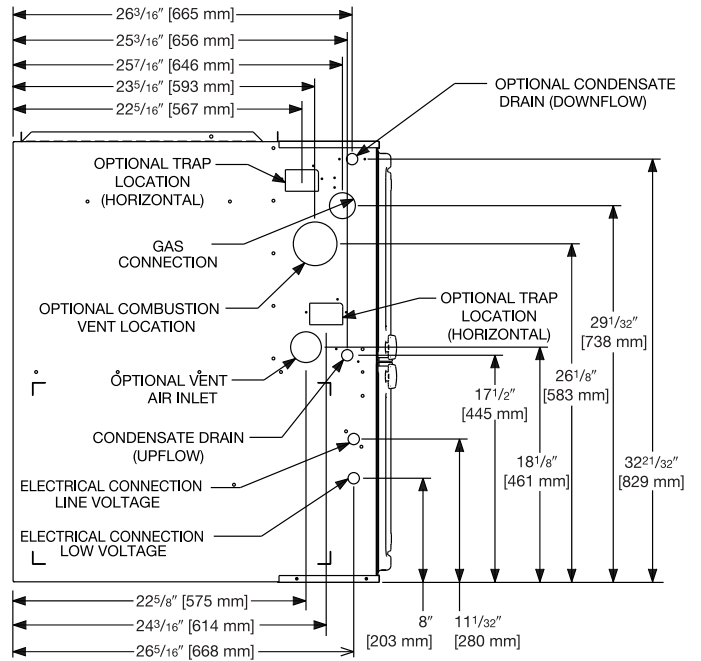
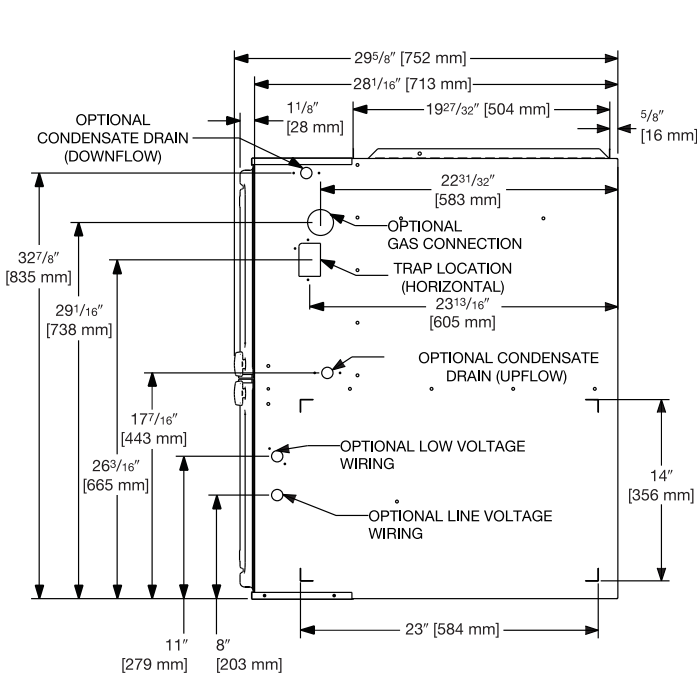
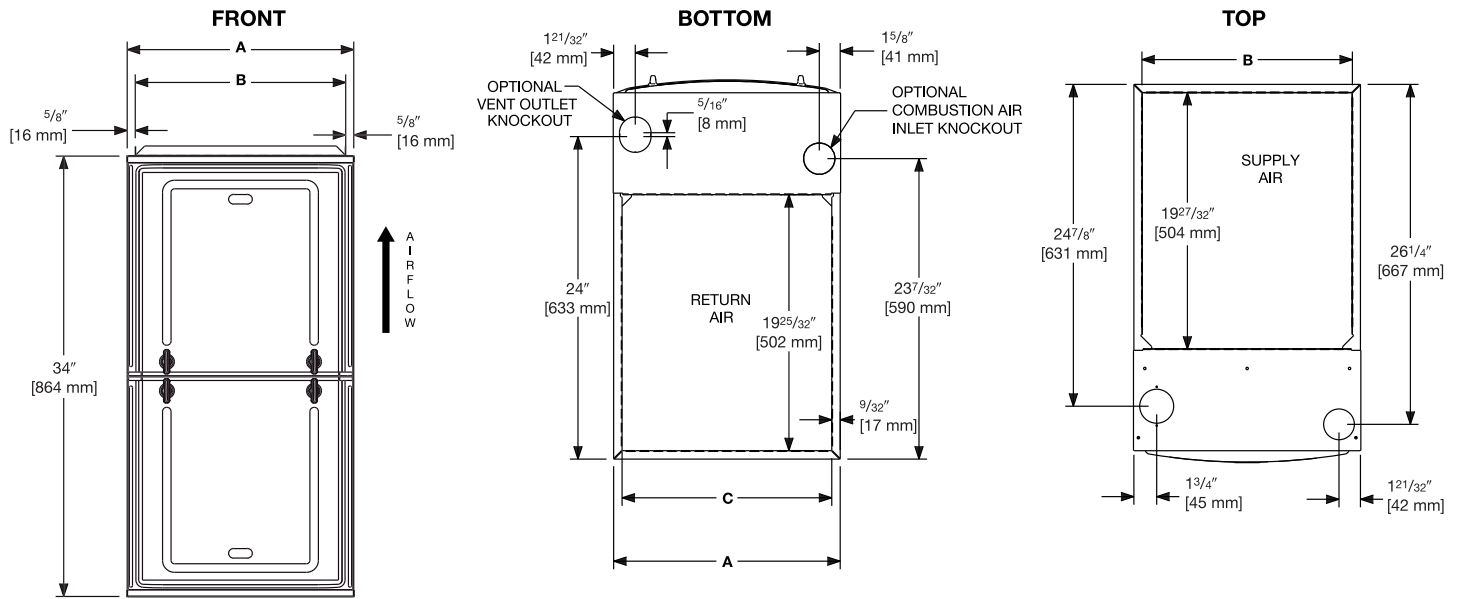
NOTE: Standard model complies with California low nox requirements.

[ ] Designates Metric Conversions

# Model Number Identification

<u>FF</u>	<u>40</u>	<u>17</u>	<u>3</u>	<u>P</u>	<u>S</u>	<u>95</u>	<u>M</u>
Product	Capacity	Width	Airflow	Motor	Speed	Efficiency	Orientation
Furnace	40 = 42,000 [12.31 kW] 60 = 56,000 [16.41 kW] 70 = 70,000 [20.51 kW] 85 = 84,000 [24.62 kW] 100 = 98,000 [28.72 kW] 115 = 112,000 [32.82 kW]	17" 21" 24"	3 = 3 Ton 5 = 5 Ton		S = Single Stage	95 = 95%	M = Multipose

[ ] Designates Metric Conversions



**UNIT DIMENSIONS  
(CLEARANCE TO COMBUSTIBLES)**

MODEL FF**PS95	LEFT SIDE	MINIMUM CLEARANCE (IN.) [mm]					SHIP WGTS.	FLANGE DIMENSIONS		
		RIGHT SIDE	BACK	TOP	FRONT	VENT		A	B	C
040	0	0	0	1 [25]	2 [51]	0	123.5 [56]	17 1/2 [445]	16 17/64 [413]	16 13/64 [412]
060	0	0	0	1 [25]	2 [51]	0	128 [58]	17 1/2 [445]	16 17/64 [413]	16 13/64 [412]
070	0	0	0	1 [25]	2 [51]	0	132 [60]	17 1/2 [445]	16 17/64 [413]	16 13/64 [412]
085	0	0	0	1 [25]	2 [51]	0	147.5 [67]	21 [533]	19 49/64 [502]	19 45/64 [500]
100	0	0	0	1 [25]	2 [51]	0	152 [69]	21 [533]	19 49/64 [502]	19 45/64 [500]
115	0	0	0	1 [25]	2 [51]	0	165 [75]	24 1/2 [662]	23 17/64 [591]	23 13/64 [589]

\*A service clearance of at least 24" is recommended in front of all furnaces  
 Supply and return depicted as upflow configuration.  
 Flange configuration will vary depending on installation orientation.

[ ] Designates Metric Conversions

MODEL	BLOWER SIZE [mm]	MOTOR H.P. [W]	BLOWER SPEED	CFM [L/s] AIR DELIVERY							
				EXTERNAL STATIC PRESSURE INCHES WATER COLUMN [kPa]							
				0.1 [.02]	0.2 [.05]	0.3 [.07]	0.4 [.10]	0.5 [.12]	0.6 [.15]	0.7 [.17]	0.8 [.19]
FF40173 PS95M	11 x 7 [279 x 178]	1/4 [187]	LOW	732 [345]	695 [328]	669 [316]	639 [301]	605 [285]	547 [258]	512 [242]	487 [230]
			MED-LO	875 [413]	845 [399]	820 [387]	792 [374]	766 [361]	726 [342]	659 [311]	605 [286]
			<b>MED-HI*</b>	1073 [506]	1049 [495]	1004 [474]	975 [460]	943 [445]	900 [425]	864 [408]	798 [376]
			HIGH	1279 [603]	1239 [584]	1213 [572]	1174 [554]	1121 [529]	1069 [504]	1033 [487]	980 [462]
FF60173 PS95M	11 x 8 [279 x 203]	1/2 [373]	LOW	830 [392]	793 [374]	755 [356]	705 [333]	654 [308]	599 [283]	544 [257]	496 [234]
			MED-LO	940 [443]	908 [428]	875 [413]	821 [387]	766 [361]	710 [333]	653 [308]	584 [275]
			<b>MED-HI*</b>	1168 [551]	1139 [537]	1109 [523]	1060 [500]	1010 [476]	942 [444]	874 [412]	802 [378]
			HIGH	1421 [670]	1385 [653]	1349 [636]	1291 [609]	1232 [581]	1147 [541]	1062 [501]	976 [460]
FF70173 PS95M	11 x 8 [279 x 203]	1/2 [373]	LOW	852 [402]	827 [390]	802 [378]	752 [355]	701 [331]	662 [312]	623 [294]	580 [274]
			MED-LO	986 [465]	955 [450]	923 [435]	883 [417]	843 [398]	790 [373]	737 [348]	686 [324]
			<b>MED-HI*</b>	1238 [584]	1211 [571]	1183 [558]	1139 [537]	1094 [516]	1036 [489]	978 [461]	897 [423]
			HIGH	1493 [704]	1452 [685]	1410 [665]	1364 [643]	1318 [622]	1257 [593]	1195 [564]	1084 [511]
FF85215 PS95M	11 x 10 [279 x 254]	3/4 [559]	LOW	1313 [619]	1275 [601]	1236 [583]	1221 [576]	1184 [558]	1141 [538]	1098 [518]	1053 [497]
			MED-LO	1488 [702]	1452 [685]	1415 [667]	1384 [653]	1328 [626]	1279 [603]	1229 [580]	1170 [552]
			<b>MED-HI*</b>	1732 [817]	1704 [804]	1676 [791]	1630 [769]	1579 [745]	1498 [707]	1417 [668]	1343 [633]
			HIGH	1983 [935]	1929 [910]	1874 [884]	1810 [854]	1742 [822]	1663 [784]	1583 [747]	1477 [697]
FF100215 PS95M	11 x 10 [279 x 254]	3/4 [559]	LOW	1329 [627]	1313 [619]	1296 [611]	1260 [594]	1224 [577]	1171 [552]	1117 [527]	1049 [495]
			MED-LO	1535 [724]	1498 [707]	1461 [689]	1422 [671]	1382 [652]	1325 [625]	1268 [598]	1203 [567]
			<b>MED-HI*</b>	1796 [847]	1748 [825]	1700 [802]	1656 [781]	1612 [760]	1536 [725]	1460 [689]	1370 [646]
			HIGH	2019 [952]	1961 [925]	1903 [898]	1843 [869]	1782 [841]	1687 [796]	1592 [751]	1489 [702]
FF115245 PS95M	11 x 11 [279 x 279]	3/4 [559]	LOW	1249 [589]	1234 [582]	1219 [575]	1183 [558]	1146 [541]	1112 [525]	1078 [508]	1017 [480]
			MED-LO	1440 [679]	1429 [674]	1417 [668]	1381 [651]	1344 [634]	1313 [619]	1281 [604]	1221 [576]
			<b>MED-HI*</b>	1770 [835]	1750 [825]	1730 [816]	1696 [800]	1662 [784]	1611 [760]	1559 [735]	1463 [690]
			HIGH	2123 [1001]	2077 [980]	2031 [958]	1983 [935]	1934 [912]	1856 [875]	1777 [838]	1665 [785]

\*Factory setting for heat all grey cells are valid heating settings. Do not use speed tabs and/or static pressure which do not fall into the grey cells on this table.  
NOTE: Unit tested without filters.

[ ] Designates Metric Conversions.

## VENT TERMINATION KITS: =

**RXGY-E02:** Vertical/Horizontal Concentric Vent Termination Kit 2" Pipe (US Only)

**RXGY-E02A:** Vertical/Horizontal Concentric Vent Termination Kit 2" Pipe (US & Canadian)

**RXGY-E03:** Vertical/Horizontal Concentric Vent Termination Kit 3" Pipe (US Only)

**RXGY-E03A:** Vertical/Horizontal Concentric Vent Termination Kit 3" Pipe (US & Canadian)

**RXGY-G02:** Direct Vent Furnace Side Wall Vent 2" or 3" (US Only)

**RXGY-D05:** Combustion Air Drain Kit 2"

**RXGY-D06:** Combustion Air Drain Kit 3"

**NEUTRALIZER KIT:** RXGY-A01  
(Replacement Cartridge 54-22120-01)

**EXTERNAL BOTTOM FILTER (UPFLOW/HORIZONTAL) RACK:**  
RXGF-CB

**EXTERNAL SIDE (UPFLOW) FILTER RACK:** RXGF-CD

**EXTERNAL (DOWNFLOW) FILTER RACK:** RXGF-CC

## FOR HIGH ALTITUDES:

**NOTE:** For Canadian installations only, an optional derate (manifold gas pressure reduction) method may be used to adjust the furnace for altitude. See Installation Instructions for more information. This optional method may **NOT** be used for U.S. installations. See installation instructions as appropriate orifice change is required.

**L.P. CONVERSION KIT:** RXGJ-FP33

**CONDENSATE PUMP KIT:** PROSTOCK & 1PCB151TUL

**DOWNFLOW/HORIZONTAL CONVERSION KIT:** RXGY-CK

**DOWNFLOW/HORIZONTAL LEFT ZERO CLEARANCE CONVERSION KIT:** RXGY-ZK

**COMBUSTIBLE FLOOR BASE:** RXGC-B17  
RXGC-B21  
RXGC-B24

[ ] Designates Metric Conversions

FILTER RACK FILTER SIZES* INCHES [mm]			
MODEL	RXGF-CB (UPFLOW/ HORIZONTAL)	RXGF-CD (UPFLOW)	RXGF-CC (DOWNFLOW)
FF40173 PS95M	15 <sup>3</sup> / <sub>4</sub> x 25 [400 x 635]	15 <sup>3</sup> / <sub>4</sub> x 25 [400 x 635]	14 x 20 [356 x 508]
FF60173 PS95M	15 <sup>3</sup> / <sub>4</sub> x 25 [400 x 635]	15 <sup>3</sup> / <sub>4</sub> x 25 [400 x 635]	14 x 20 [356 x 508]
FF70173 PS95M	15 <sup>3</sup> / <sub>4</sub> x 25 [400 x 635]	15 <sup>3</sup> / <sub>4</sub> x 25 [400 x 635]	14 x 20 [356 x 508]
FF85215 PS95M	19 <sup>1</sup> / <sub>4</sub> x 25 [489 x 635]	15 <sup>3</sup> / <sub>4</sub> x 25 [400 x 635]	14 x 20 [356 x 508]
FF100215 PS95M	19 <sup>1</sup> / <sub>4</sub> x 25 [489 x 635]	15 <sup>3</sup> / <sub>4</sub> x 25 [400 x 635]	14 x 20 [356 x 508]
FF115245 PS95M	22 <sup>3</sup> / <sub>4</sub> x 25 [578 x 635]	15 <sup>3</sup> / <sub>4</sub> x 25 [400 x 635]	14 x 20 [356 x 508]

## INDOOR COIL CASINGS

MODEL NUMBER
RXBC-D17A1
RXBC-D21A1
RXBC-D21B1
RXBC-D24A1



**GENERAL TERMS OF LIMITED WARRANTY\***

*Fujitsu General America, Inc.* will furnish a replacement for any part of this product which fails in normal use and service within the applicable period stated, in accordance with the terms of the limited warranty.

**\*For complete details of the Limited and Conditional Warranties, including applicable terms and conditions, contact your local contractor or the Manufacturer for a copy of the product warranty certificate.**

Conditional Parts  
(Registration Required) .....Ten (10) Years  
Heat Exchanger .....Limited Lifetime





---

**Before proceeding with installation, refer to installation instructions packaged with each model, as well as complying with all Federal, State, Provincial, and Local codes, regulations, and practices.**

---

*"In keeping with its policy of continuous progress and product improvement, the right is reserved to make changes without notice."*