

FF_PS80(M,X)

Parts List
16-April-2019



This parts list is current as of the above revision date.
www.fujitsugeneral.com

Form Number: 92-42814-FF_PS80(M,X)

Table of Contents

| | |
|----------------------------------|---------|
| Model Explanation..... | Page 3 |
| Parts Numbers | |
| Panels - Miscellaneous (1)..... | Page 4 |
| Panels - Miscellaneous (2)..... | Page 5 |
| Electrical Group..... | Page 6 |
| Blower Group..... | Page 6 |
| Heat Exchanger-Burner Group..... | Page 7 |
| Gas Controls..... | Page 7 |
| Orifice Selection Chart..... | Page 8 |
| Drawings/Photographs | |
| Exploded View..... | Page 9 |
| Cabinet Interior..... | Page 10 |
| Burner Assembly..... | Page 11 |
| NOx Insert Assembly..... | Page 12 |
| Junction Box..... | Page 13 |
| Blower Shelf..... | Page 14 |
| Blower Assembly..... | Page 15 |
| Blower Mounting Plate..... | Page 16 |
| Notes..... | Page 17 |

MODEL EXPLANATION

| | | | | | | | | | | | |
|----------|----------|----------|----------|----------|----------|----------|----------|----------|----------|----------|----------|
| F | F | 5 | 0 | 1 | 4 | 3 | P | S | 8 | 0 | M |
| (1) | | (2) | | (3) | | (4) | (5) | (6) | | (7) | (8) |

(1) TRADEBRAND IDENTIFICATION
FF = Fujitsu Furnace

(5) MOTOR TYPE
P = PSC Standard

(2) HEATING INPUT DESIGNATION
050 = 50,000 BTU/HR
075 = 75,000 BTU/HR
100 = 98,000 BTU/HR
125 = 125,000 BTU/HR

(6) STAGE - SINGLE (S)

(7) SERIES
80% Efficient

(3) CABINET WIDTH
14 = 14.0 inch
17 = 17.5 inch
21 = 21.0 inch
24 = 24.5 inch

(8) STANDARD/NOx
M = Standard
X = NOx

(4) AIRFLOW
3 = Up to 3 tons
4 = Up to 4 tons
5 = Up to 5 tons

SERIAL NUMBER EXPLANATION

| | | | | | | | | |
|----------|----------|----------|----------|----------|----------|----------|----------|----------|
| W | 0 | 8 | 1 | 4 | 9 | 9 | 9 | 9 |
| (1) | (2) | | (3) | | (4) | | | |

(1) PLANT CODE

(2) WEEK (DATE CODE)

(3) YEAR

(4) PRODUCTION NUMBER

Note: For Gas Code, see Control System Gas Code on Rating Plate

| No. | Notes | MODEL INPUT CABINET WIDTH AIRFLOW SERIES | FF | FF | FF | FF | FF | FF | FF |
|---|-------|---|--|--------------|--------------|--------------|--------------|--------------|--------------|
| | | | 50 | 75 | 75 | 100 | 100 | 125 | 150 |
| | | | 14 | 17 | 17 | 17 | 21 | 24 | 24 |
| | | | 3 | 3 | 4 | 4 | 5 | 5 | 5 |
| | | | PS(80M/80X) | PS(80M/80X) | PS(80M/80X) | PS(80M/80X) | PS(80M/80X) | PS(80M/80X) | PS(80M/80X) |
| PANELS, SHEET METAL, AND MISCELLANEOUS | | | | | | | | | |
| 1 | | Jacket Assembly | See Note 1 | | | | | | |
| 1a | | Star Bushing | 45-18515-01 | 45-18515-01 | 45-18515-01 | 45-18515-01 | 45-18515-01 | 45-18515-01 | 45-18515-01 |
| 1b | | Insulation - Foil Back | 68-104821-05 | 68-104821-06 | 68-104821-06 | 68-104821-06 | 68-104821-07 | 68-104821-08 | 68-104821-08 |
| 1c | | Insulation - Sound | N/A | N/A | N/A | N/A | N/A | N/A | N/A |
| 1d | | Insulation Retainer (2) | N/A | N/A | N/A | N/A | N/A | N/A | N/A |
| 2a | | Top Plate Assembly (includes air deflector) - Platinum | AS-104767-11 | AS-104767-12 | AS-104767-12 | AS-104767-12 | AS-104767-13 | AS-104767-14 | AS-104767-14 |
| 2b | | Intake Air Deflector (attached to top plate) | AE-101077-02 | AE-101077-01 | AE-101077-01 | AE-101077-01 | AE-101077-01 | AE-101077-01 | AE-101077-01 |
| 2c | | Left Jacket Baffle | AE-61606-01 | AE-61606-01 | AE-61606-01 | AE-100548-01 | AE-61668-01 | AE-61665-01 | N/A |
| 2d | | Right Jacket Baffle | AE-61606-01 | AE-61606-01 | AE-61606-01 | AE-100548-01 | AE-61668-01 | AE-61665-01 | N/A |
| 2e | | Rear Jacket Baffle | AE-61666-01 | AE-61607-01 | AE-61607-01 | AE-61607-01 | AE-61667-01 | AE-61670-01 | AE-61669-01 |
| 2f | | Heat Exchanger Bracket - Left Side | See Heat Exchanger/Burner/Manifold Group | | | | | | |
| 2g | | Heat Exchanger Bracket - Right Side | See Heat Exchanger/Burner/Manifold Group | | | | | | |
| 3 | | Burner Compartment Door - Upper Door | AS-104911-34 | AS-104911-31 | AS-104911-31 | AS-104911-31 | AS-104911-32 | AS-104911-33 | AS-104911-33 |
| 4 | | Blower/Filter Door - Lower Door | AS-104911-54 | AS-104911-51 | AS-104911-51 | AS-104911-51 | AS-104911-52 | AS-104911-53 | AS-104911-53 |
| | | Gray Door Filler (with integral molded alignment pins) | 68-104374-14 | 68-104374-11 | 68-104374-11 | 68-104374-11 | 68-104374-12 | 68-104374-13 | 68-104374-13 |
| | | Door Latch Kit (includes two of each: Latch Cam, Gray Latch Handle, O-Ring, Retainer Screw) | PD644035 | PD644035 | PD644035 | PD644035 | PD644035 | PD644035 | PD644035 |
| | | Sight Glass - Door (2) | 68-21893-04 | 68-21893-04 | 68-21893-04 | 68-21893-04 | 68-21893-04 | 68-21893-04 | 68-21893-04 |
| 6a | | Junction Box | AE-61475-03 | AE-61475-03 | AE-61475-03 | AE-61475-03 | AE-61475-03 | AE-61475-03 | AE-61475-03 |
| 6b | | Juncton Box Cover | AE-61476-03 | AE-61476-03 | AE-61476-03 | AE-61476-03 | AE-61476-03 | AE-61476-03 | AE-61476-03 |
| 8 | | Exhaust Collar | Available as Accessory RXGW-C01 | | | | | | |
| 11a | | Bottom Plate Assembly (Platinum) | AS-104968-11 | AS-104968-12 | AS-104968-12 | AS-104968-12 | AS-104968-13 | AS-104968-14 | AS-104968-14 |
| 11b | | Solid Bottom Kit | RXGB-D14 | RXGB-D17 | RXGB-D17 | RXGB-D17 | RXGB-D21 | RXGB-D24 | RXGB-D24 |
| 12 | | Blower Shelf Assembly (includes items 12a, 12b) | AS-104809-01 | AS-104809-02 | AS-104809-02 | AS-104809-02 | AS-104809-04 | AS-104809-05 | AS-104809-05 |
| 12a | | Bracket Door Mounting | AE-104332-04 | AE-104332-01 | AE-104332-01 | AE-104332-01 | AE-104332-02 | AE-104332-03 | AE-104332-03 |
| 12b | | Gasket - Blower Shelf | 68-104382-04 | 68-104382-01 | 68-104382-01 | 68-104382-01 | 68-104382-02 | 68-104382-03 | 68-104382-03 |
| 12c | | Gasket - Door | AE-61951-53 | AE-61951-54 | AE-61951-54 | AE-61951-54 | AE-61951-55 | AE-61951-56 | AE-61951-56 |
| 12d | | Stripping - Angle Bracket | AE-61951-57 | AE-61951-58 | AE-61951-58 | AE-61951-58 | AE-61951-59 | AE-61951-60 | AE-61951-60 |
| 12e | | Stripping - Angle Bracket | AE-61951-62 | AE-61951-62 | AE-61951-62 | AE-61951-62 | AE-61951-62 | AE-61951-62 | AE-61951-62 |
| 12f | | Angle Bracket | AE-104758-01 | AE-104758-02 | AE-104758-02 | AE-104758-02 | AE-104758-03 | AE-104758-04 | AE-104758-04 |
| 12g | | Side Angle Assembly - Left (includes stripping) | AS-104923-01 | AS-104923-01 | AS-104923-01 | AS-104923-01 | AS-104923-01 | AS-104923-01 | AS-104923-01 |
| 12h | | Side Angle Assembly - Right (includes stripping) | AS-104923-02 | AS-104923-02 | AS-104923-02 | AS-104923-02 | AS-104923-02 | AS-104923-02 | AS-104923-02 |

| No. | Notes | MODEL INPUT CABINET WIDTH AIRFLOW SERIES | FF | FF | FF | FF | FF | FF | FF |
|---|-------|--|-------------|-------------|-------------|-------------|-------------|-------------|--|
| | | | 50 | 75 | 75 | 100 | 100 | 125 | 150 |
| | | | 14 | 17 | 17 | 17 | 21 | 24 | 24 |
| | | | 3 | 3 | 4 | 4 | 5 | 5 | 5 |
| | | | PS(80M/80X) | PS(80M/80X) | PS(80M/80X) | PS(80M/80X) | PS(80M/80X) | PS(80M/80X) | PS(80M/80X) |
| PANELS, SHEET METAL, AND MISCELLANEOUS | | | | | | | | | |
| 20a | | Pressure Switch | | | | | | | See Electrical Group |
| 20b | | Silicon Tubing - Pressure Switch | | | | | | | See Electrical Group |
| 21 | | Door Switch - Push Button | | | | | | | See Electrical Group |
| 22 | | Limit - Main Limit (Heat Exchanger Panel) | | | | | | | See Electrical Group |
| 23 | | Limit - Manual Reset (Burner Compartment) | | | | | | | See Electrical Group |
| 24 | | Transformer | | | | | | | See Electrical Group |
| 25 | | Induced Draft Blower (IDB) | | | | | | | See Electrical Group |
| 27 | | Capacitor - Blower Motor | | | | | | | See Electrical Group |
| 28 | | Strap - Blower Motor Capacitor | | | | | | | See Electrical Group |
| 29 | | Wire Assembly (Junction Box to Twist Lock) | | | | | | | See Electrical Group |
| 30 | | Blower Assembly | | | | | | | See Blower Group |
| 30a | | Control Mounting Plate | | | | | | | See Blower Group |
| 31a | | Housing w/Blower Wheel | | | | | | | See Blower Group |
| 31b | | Blower Wheel | | | | | | | See Blower Group |
| 40 | | Heat Exchanger Assembly | | | | | | | See Heat Exchanger/Burner/Manifold Group |
| 42 | | Burner Assembly | | | | | | | See Heat Exchanger/Burner/Manifold Group |
| 43 | | Manifold (w/o Orifices) | | | | | | | See Heat Exchanger/Burner/Manifold Group |
| 50 | | Gas Valve | | | | | | | See Gas Controls |
| 51 | | Integrated Furnace Control Board (IFC) | | | | | | | See Gas Controls |
| 52 | | Flame Sensor | | | | | | | See Gas Controls |
| 53 | | Spark Ignitor | | | | | | | See Gas Controls |
| | | Touch-up Paint - Platinum (Aerosol) | 523012 | 523012 | 523012 | 523012 | 523012 | 523012 | 523012 |
| | | Touch-up Paint - Platinum (Paint Pens) | 523013 | 523013 | 523013 | 523013 | 523013 | 523013 | 523013 |
| | | Touch-up Paint - Private Label Gray (Aerosol) | 523014 | 523014 | 523014 | 523014 | 523014 | 523014 | 523014 |
| | | Touch-up Paint - Private Label Gray (Paint Pens) | 523015 | 523015 | 523015 | 523015 | 523015 | 523015 | 523015 |

| No. | Notes | MODEL INPUT CABINET WIDTH AIRFLOW SERIES | FF | FF | FF | FF | FF | FF | FF |
|-----------------------|-------|--|--|------------------------------|------------------------------|-------------------------------|-------------------------------|-------------------------------|-------------------------------|
| | | | 50 14 3 PS(80M/80X) | 75 17 3 PS(80M/80X) | 75 17 4 PS(80M/80X) | 100 17 4 PS(80M/80X) | 100 21 5 PS(80M/80X) | 125 24 5 PS(80M/80X) | 150 24 5 PS(80M/80X) |
| ELECTRIC GROUP | | | | | | | | | |
| 20a | Stk | Pressure Switch Assembly | 42-106257-01 | 42-106257-01 | 42-106257-01 | 42-106257-01 | 42-106257-01 | 42-106257-01 | 42-106257-01 |
| 20b | | Silicon Tubing - Pressure Switch | AE-61737-27 | AE-61737-27 | AE-61737-27 | AE-61737-27 | AE-61737-03 | AE-61737-23 | AE-61737-23 |
| 21 | | Door Switch - Push Button | 42-22692-09 | 42-22692-09 | 42-22692-09 | 42-22692-09 | 42-22692-09 | 42-22692-09 | 42-22692-09 |
| 22 | Stk | Limit - Main Limit (Heat Exchanger Panel) | 47-104990-01 | 47-104990-03 | 47-104990-04 | 47-104990-05 | 47-104990-04 | 47-104990-04 | 47-104990-04 |
| 23 | Stk | Limit - Manual Reset (Burner Compartment) | 47-22861-03 (2) | 47-22861-03 (2) | 47-22861-03 (2) | 47-22861-03 (2) | 47-22861-03 (2) | 47-22861-03 (2) | 47-22861-03 (2) |
| 23a | Stk | Limit - Heat Assisted (Blower Housing) | 47-22860-06 | 47-22860-06 | 47-22860-06 | 47-22860-06 | 47-22860-06 | 47-22860-06 | 47-22860-06 |
| | | Bracket (Limit - Manual Reset) | See Heat Exchanger/Burner Manifold Group | | | | | | |
| 24 | Stk | Transformer | 46-24124-06 | 46-24124-06 | 46-24124-06 | 46-24124-06 | 46-24124-06 | 46-24124-06 | 46-24124-06 |
| 25 | Stk | IDB - Induced Draft Blower (with Gasket) | 70-101087-01 | 70-101087-01 | 70-101087-01 | 70-101087-01 | 70-101087-01 | 70-101087-01 | 70-101087-01 |
| | | Gasket - Induced Draft Blower | 68-22850-01 | 68-22850-01 | 68-22850-01 | 68-22850-01 | 68-22850-01 | 68-22850-01 | 68-22850-01 |
| 27 | Stk | Capacitor - Blower Motor | 43-101666-57 | 43-101666-57 | 43-101666-57 | 43-101666-57 | 43-101666-57 | 43-101666-57 | 43-101666-57 |
| 28 | | Strap - Blower Motor Capacitor | AE-104369-01 | AE-104369-01 | AE-104369-01 | AE-104369-01 | AE-104369-01 | AE-104369-01 | AE-104369-01 |
| | | Wiring Harness Assembly (Twist-Lock) | 45-104931-01 | 45-104931-01 | 45-104931-01 | 45-104931-01 | 45-104931-01 | 45-104931-01 | 45-104931-01 |
| 29 | | Wire Assembly (Junction Box to Twist Lock) | 45-24371-58 | 45-24371-58 | 45-24371-58 | 45-24371-58 | 45-24371-58 | 45-24371-58 | 45-24371-58 |
| 52 | | Flame Sensor | See Gas Controls | | | | | | |
| 53 | | Spark Ignitor | See Gas Controls | | | | | | |

| No. | Notes | MODEL INPUT CABINET WIDTH AIRFLOW SERIES | FF | FF | FF | FF | FF | FF | FF |
|---------------------|-------|--|------------------------------|------------------------------|------------------------------|-------------------------------|-------------------------------|-------------------------------|-------------------------------|
| | | | 50 14 3 PS(80M/80X) | 75 17 3 PS(80M/80X) | 75 17 4 PS(80M/80X) | 100 17 4 PS(80M/80X) | 100 21 5 PS(80M/80X) | 125 24 5 PS(80M/80X) | 150 24 5 PS(80M/80X) |
| BLOWER GROUP | | | | | | | | | |
| 30 | Stk | Blower Assembly (Includes 27, 31a, 31b, 32, 33, 34, 35): | AS-104887-01 | AS-104887-06 | AS-104887-02 | AS-104887-02 | AS-104887-03 | AS-104887-04 | AS-104887-05 |
| 30a | | Control Mounting Plate | AE-104878-02 | AE-104878-02 | AE-104878-02 | AE-104878-02 | AE-104878-02 | AE-104878-02 | AE-104878-02 |
| 23a | | Limit - Heat Assisted (Blower Housing) | See Electric Group | | | | | | |
| 31a | | Housing w/Blower Wheel | 70-104182-11 | 70-104182-13 | 70-104182-13 | 70-104182-13 | 70-104182-17 | 70-104182-17 | 70-104182-17 |
| 31b | Stk | Blower Wheel | PD703025 | PD703026 | PD703026 | PD703026 | PD703028 | PD703028 | PD703028 |
| 32 | Stk | Blower Motor | 51-104939-01 | 51-104940-03 | 51-104940-01 | 51-104940-01 | 51-104940-02 | 51-104941-01 | 51-104941-02 |
| 27 | | Capacitor - Blower Motor | See Electric Group | | | | | | |
| | Stk | Belly Band Motor Mount Kit (includes Motor Mount Arms, Belly Band and Mounting Hardware) | AS-53148-91 | AS-53148-91 | AS-53148-91 | AS-53148-91 | AS-53148-91 | AS-53148-91 | AS-53148-91 |
| 33 | | ECM Motor Mount (Belly Band) | 70-19927-04 | 70-19927-04 | 70-19927-04 | 70-19927-04 | 70-19927-04 | 70-19927-04 | 70-19927-04 |
| 34 | | Motor Mount Arm (4) | 70-19929-10 | 70-19929-10 | 70-19929-10 | 70-19929-10 | 70-19929-10 | 70-19929-10 | 70-19929-10 |
| 35 | | Screw - Motor Mount Arm (4) | 63-101978-01 | 63-101978-01 | 63-101978-01 | 63-101978-01 | 63-101978-01 | 63-101978-01 | 63-101978-01 |

| No. | Notes | MODEL INPUT CABINET WIDTH AIRFLOW SERIES | FF | FF | FF | FF | FF | FF | FF |
|--|-------|--|------------------------------|------------------------------|------------------------------|-------------------------------|-------------------------------|-------------------------------|-------------------------------|
| | | | 50 14 3 PS(80M/80X) | 75 17 3 PS(80M/80X) | 75 17 4 PS(80M/80X) | 100 17 4 PS(80M/80X) | 100 21 5 PS(80M/80X) | 125 24 5 PS(80M/80X) | 150 24 5 PS(80M/80X) |
| HEAT EXCHANGER, BURNER / MANIFOLD GROUP | | | | | | | | | |
| 2f | | Heat Exchanger Bracket - Left Side | AE-102680-01 | AE-67846-02 | AE-67846-02 | AE-67846-02 | AE-67846-02 | AE-67846-02 | AE-67846-02 |
| 2g | | Heat Exchanger Bracket - Right Side | AE-102680-02 | AE-67846-02 | AE-67846-02 | AE-67846-02 | AE-67846-02 | AE-67846-02 | AE-67846-02 |
| 40 | Stk | Heat Exchanger Assembly | AS-61579-14 | AS-100560-01 | AS-100560-01 | AS-61579-07 | AS-61579-04 | AS-61579-05 | AS-61579-06 |
| 40a | | NOX Burner Inserts | AS-67875-01 (2) | AS-67875-01 (3) | AS-67875-01 (3) | AS-67875-01 (3) | AS-67875-01 (4) | AS-67875-01 (5) | AS-67875-01 (6) |
| 40b | | NOX Insert Retainer | AE-67872-01 | AE-67872-02 | AE-67872-02 | AE-67872-02 | AE-67872-03 | AE-67872-04 | AE-67872-05 |
| 42 | | Burner Assembly (Burner, Support, Brackets, Cover and Bottom Plates, Ignitor Bracket) | AS-104944-01 | AS-104944-02 | AS-104944-02 | AS-104944-03 | AS-104944-03 | AS-104944-04 | AS-104944-05 |
| 42 | | Burner Assembly - NOx variants (Burner, Support, Brackets, Cover and Bottom Plates, Ignitor Bracket) | AS-104944-11 | AS-104944-12 | AS-104944-12 | AS-104944-13 | AS-104944-13 | AS-104944-14 | AS-104944-15 |
| 42a | Stk | Burner | AS-60993-02 | AS-60993-03 | AS-60993-03 | AS-60993-04 | AS-60993-04 | AS-60993-05 | AS-60993-06 |
| 42b | | Burner Support | AE-60997-01 | AE-60997-02 | AE-60997-02 | AE-60997-03 | AE-60997-03 | AE-60997-04 | AE-60997-05 |
| 42c | | Burner Support Bracket (2) | AE-61588-02 | AE-61588-02 | AE-61588-02 | AE-61588-02 | AE-61588-02 | AE-61588-02 | AE-61588-02 |
| 42d | | Burner Cover Plate | AE-101080-06 | AE-101080-02 | AE-101080-02 | AE-101080-03 | AE-101080-03 | AE-101080-04 | AE-101080-05 |
| 42d | | Burner Cover Plate (NOx variants) | AE-101080-16 | AE-101080-12 | AE-101080-12 | AE-101080-13 | AE-101080-13 | AE-101080-14 | AE-101080-15 |
| 42e | | Burner Bottom Plate | AE-104927-01 | AE-104927-02 | AE-104927-02 | AE-104927-03 | AE-104927-03 | AE-104927-04 | AE-104927-05 |
| 42f | | Igniter Bracket | AE-61885-02 | AE-61885-02 | AE-61885-02 | AE-61885-02 | AE-61885-02 | AE-61885-02 | AE-61885-02 |
| | | Screw - Burner Assembly | 63-22153-05 (13) | 63-22153-05 (14) | 63-22153-05 (14) | 63-22153-05 (15) | 63-22153-05 (15) | 63-22153-05 (16) | 63-22153-05 (17) |
| 43 | | Manifold (w/o Orifices) | 81-102427-01 | 81-102427-02 | 81-102427-02 | 81-102427-03 | 81-102427-03 | 81-102427-04 | 81-102427-05 |
| | | Burner Orifice - Natural Gas | See Orifice Selection Chart | | | | | | |
| | | Burner Orifice - LP | See Orifice Selection Chart | | | | | | |
| | | Number of Orifices | (2) | (3) | (3) | (4) | (4) | (5) | (6) |

| No. | Notes | MODEL GAS CODE | FFPS JU | | | | | | |
|---------------------|-------|--|--------------|--|--|--|--|--|--|
| GAS CONTROLS | | | | | | | | | |
| 50 | Stk | Gas Valve - Natural Gas | 60-103901-02 | | | | | | |
| | Stk,2 | Gas Valve - LP | See Note 2 | | | | | | |
| 51 | Stk | Integrated Furnace Control Board (IFC) | 62-104058-02 | | | | | | |
| 52 | Stk | Flame Sensor | 62-23543-01 | | | | | | |
| 53 | Stk | Spark Ignitor | 62-24164-03 | | | | | | |
| | Stk | LP Conversion Kit - U.S./Canadian Models | FP-15 | | | | | | |

80% GAS FURNACE - ORIFICE SELECTION CHART - NATURAL GAS

CAUTION: Selection of the correct Natural Gas Orifice requires the following information for the specific installation:

- 1) Altitude in of the installation (ft.).
- 2) Average energy content of the Natural Gas fuel from the local supplier (BTU/cu. ft.).

For detailed information and instructions for Orifice selection, see the Gas Furnace LP Conversion Kit Index 92-21519-70 and the latest edition of the National Fuel Gas Code Handbook, or the National Standard of Canada, Natural Gas and Propane Installation Code, CAN B149.1.

CAUTION: This information is provided for replacement purposes only. Conversion for operation at High Altitude must be done using the kit specified on the product specification sheet for the unit.

NOTE: This Orifice sizing chart is based on 25,000 BTU/HR per burner.

NOTE: Factory installed orifices are calculated and sized based on a Natural Gas heating value of 1075 BTU/cu. ft. and an elevation of 0 - 3000 ft.

| Energy Value (BTU/cu. ft.) | Elevation (ft.) | | | | | | | |
|-------------------------------|-----------------|-------------|-------------|-------------|-------------|-------------|-------------|-------------|
| | 0 - 1999 | 2000 - 2999 | 3000 - 3999 | 4000 - 4999 | 5000 - 5999 | 6000 - 6999 | 7000 - 7999 | 8000 - 8999 |
| 850 | 62-22175-38 | 62-22175-39 | 62-22175-40 | 62-22175-41 | 62-22175-41 | 62-22175-42 | 62-22175-42 | 62-22175-43 |
| 900 | 62-22175-40 | 62-22175-41 | 62-22175-42 | 62-22175-42 | 62-22175-42 | 62-22175-43 | 62-22175-43 | 62-22175-44 |
| 975 | 62-22175-41 | 62-22175-42 | 62-22175-42 | 62-22175-42 | 62-22175-43 | 62-22175-43 | 62-22175-44 | 62-22175-44 |
| 1075 | 62-22175-42 | 62-22175-42 | 62-22175-43 | 62-22175-43 | 62-22175-43 | 62-22175-44 | 62-22175-44 | 62-22175-45 |
| 1170 | 62-22175-43 | 62-22175-44 | 62-22175-44 | 62-22175-44 | 62-22175-45 | 62-22175-45 | 62-22175-46 | 62-22175-47 |

80% GAS FURNACE - ORIFICE SELECTION CHART - LP

CAUTION: Selection of the correct LP Orifice requires the altitude of the specific installation (ft.).

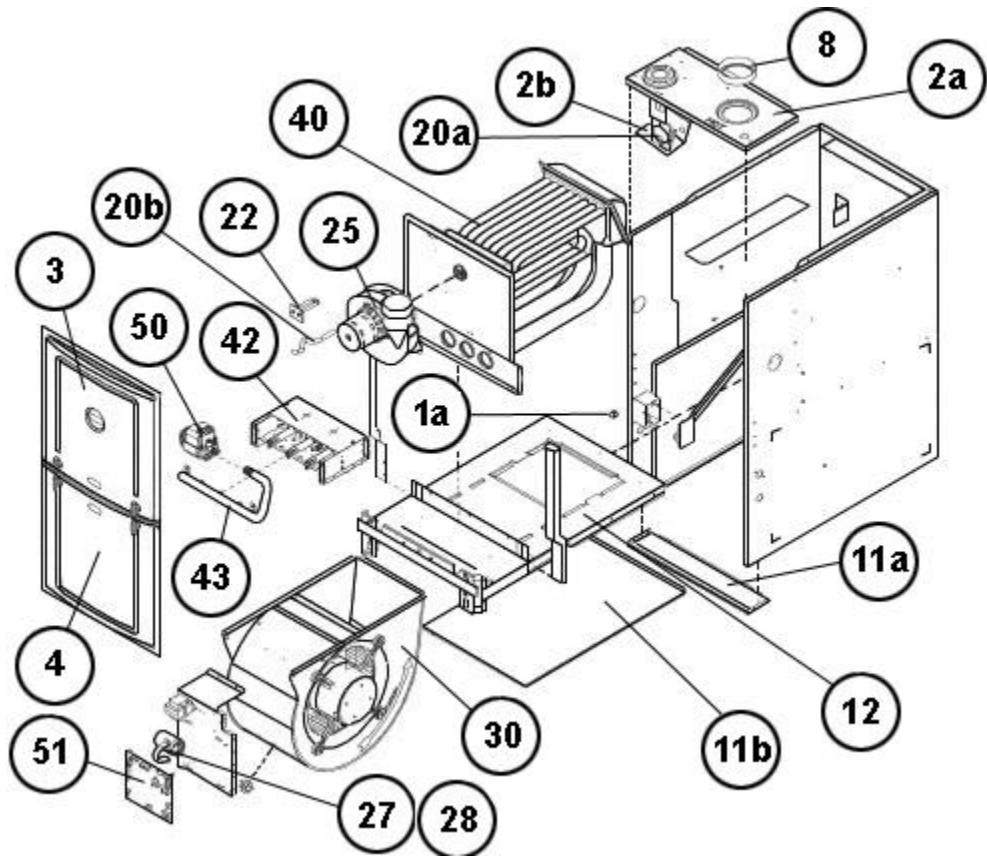
For detailed information and instructions for Orifice selection, see the Gas Furnace LP Conversion Kit Index 92-21519-70 and the latest edition of the National Fuel Gas Code Handbook (NFG), or the National Standard of Canada, Natural Gas and Propane Installation Code, CAN B149.1.

CAUTION: This information is provided for replacement purposes only. Conversion to LP or for operation at High Altitude should be done using the kit(s) specified on the product specification sheet for the unit.

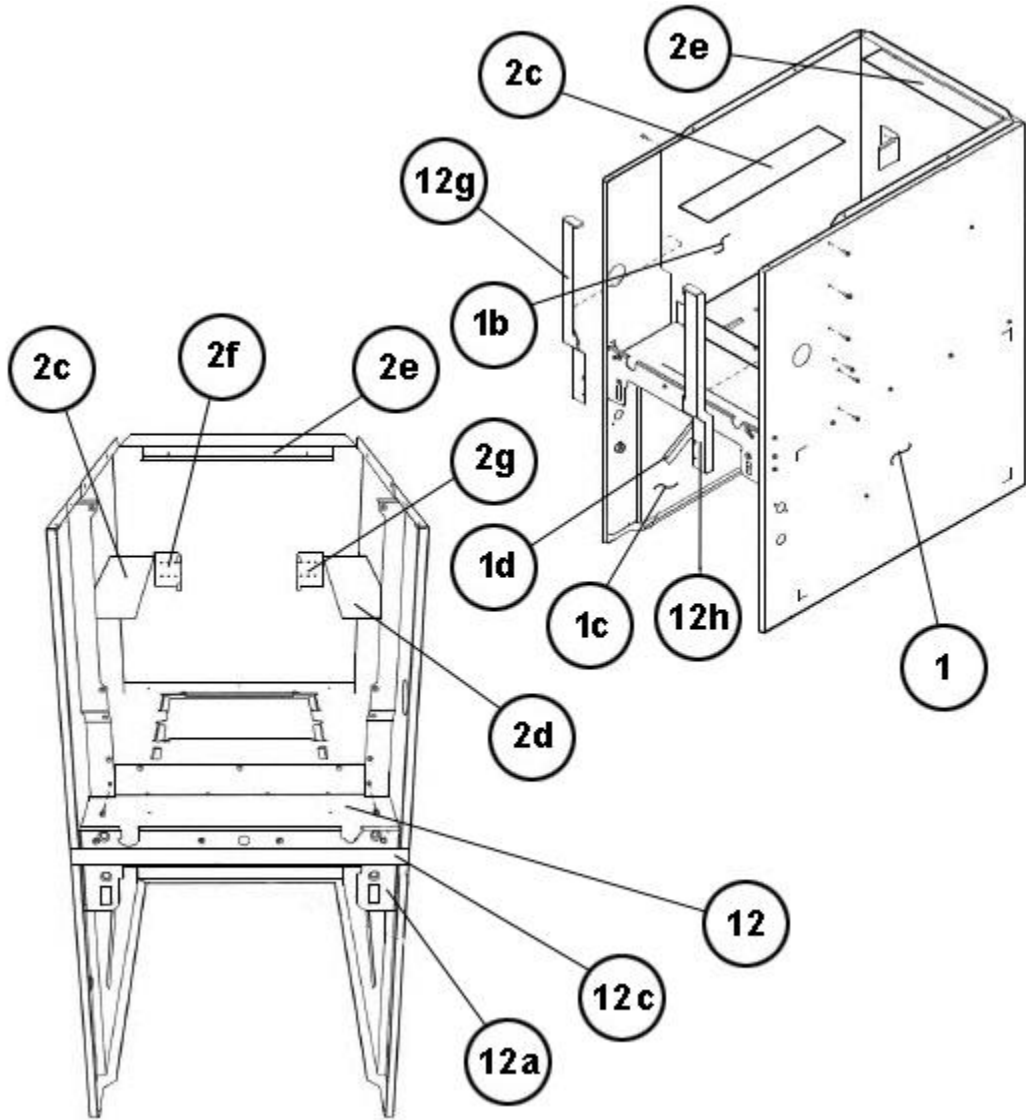
NOTE: This Orifice sizing chart is based on 25,000 BTU/HR per burner. Also, the chart is developed using the specified pressure setting of 10 in. water column instead of the 11.0 in water column used by the NFG and CANB149.1.

NOTE: Orifices supplied in the LP Conversion Kit are calculated and sized based on an altitude of 0 - 4000 ft.

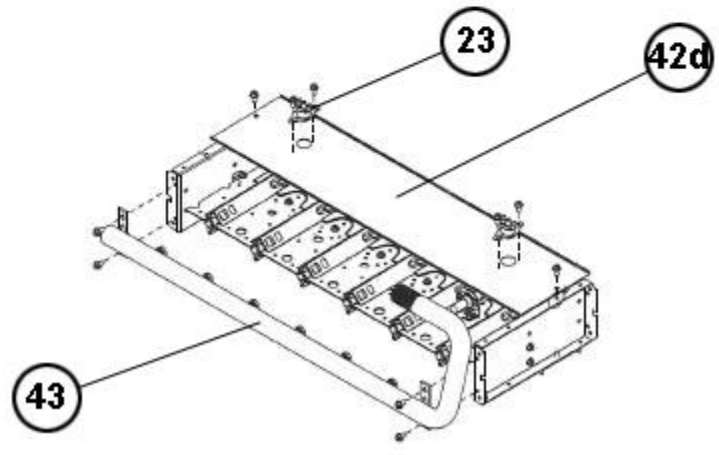
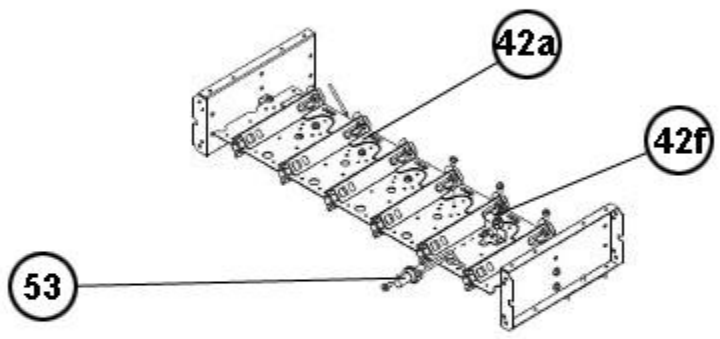
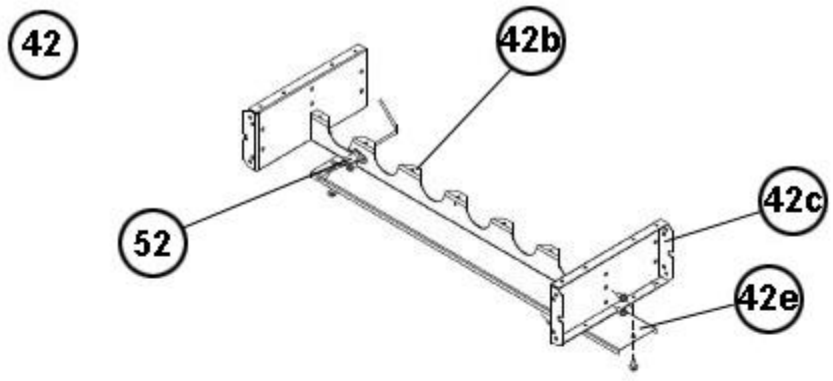
| Elevation (ft.) | Orifice | | | | | | | |
|-----------------|-------------|--|--|--|--|--|--|--|
| 0 - 2000 | 62-22175-54 | | | | | | | |
| 2001 - 3000 | 62-22175-54 | | | | | | | |
| 3001 - 4000 | 62-22175-54 | | | | | | | |
| 4001 - 5000 | 62-22175-54 | | | | | | | |
| 5001 - 6000 | 62-22175-54 | | | | | | | |
| 6001 - 7000 | 62-22175-54 | | | | | | | |
| 7001 - 8000 | 62-22175-55 | | | | | | | |
| 8001 - 9000 | 62-22175-55 | | | | | | | |
| 9001 - 10000 | 62-22175-55 | | | | | | | |



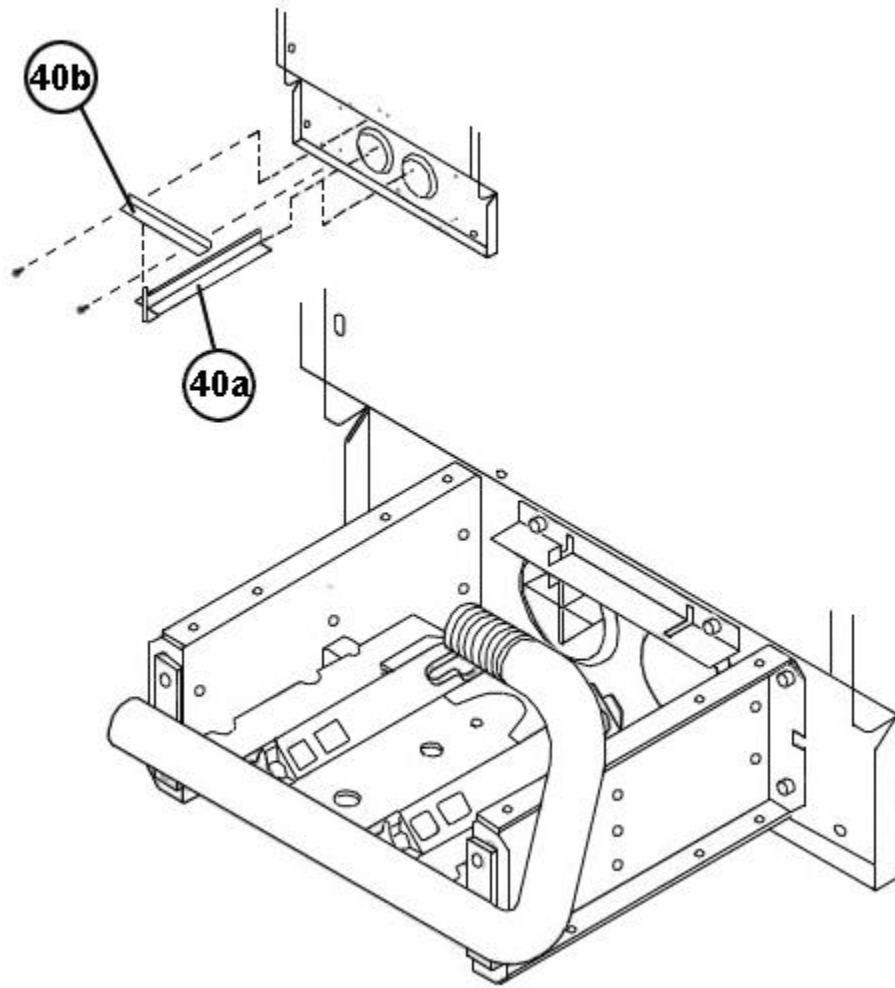
Exploded View



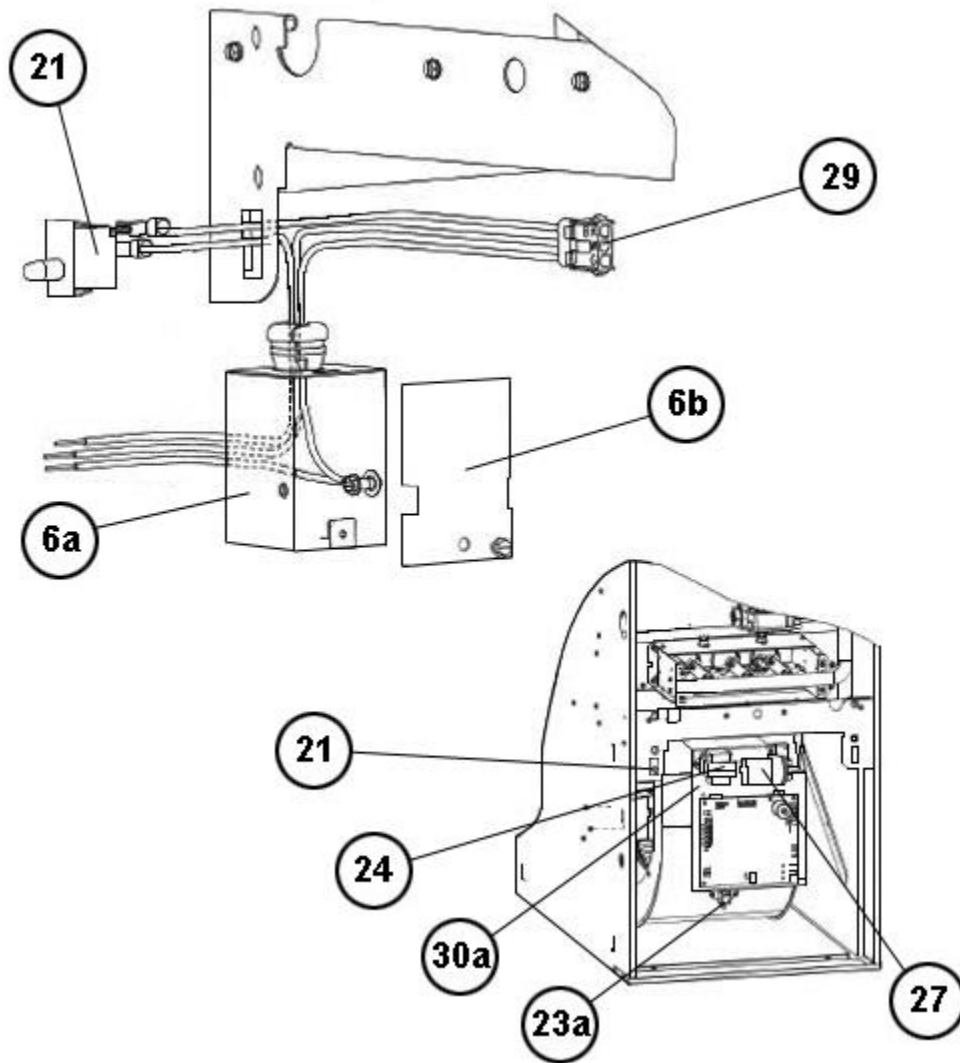
Cabinet Interior



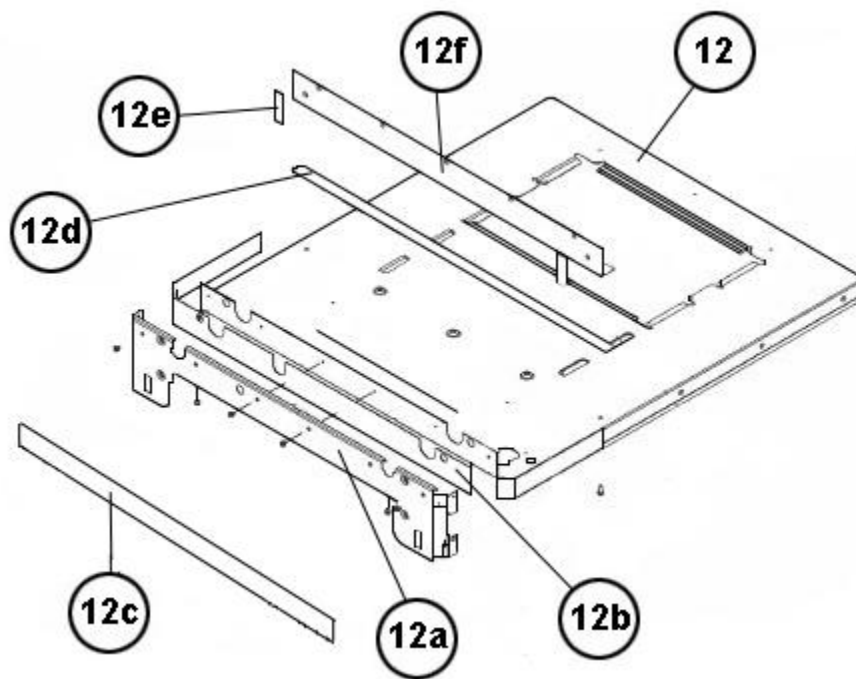
Burner Assembly



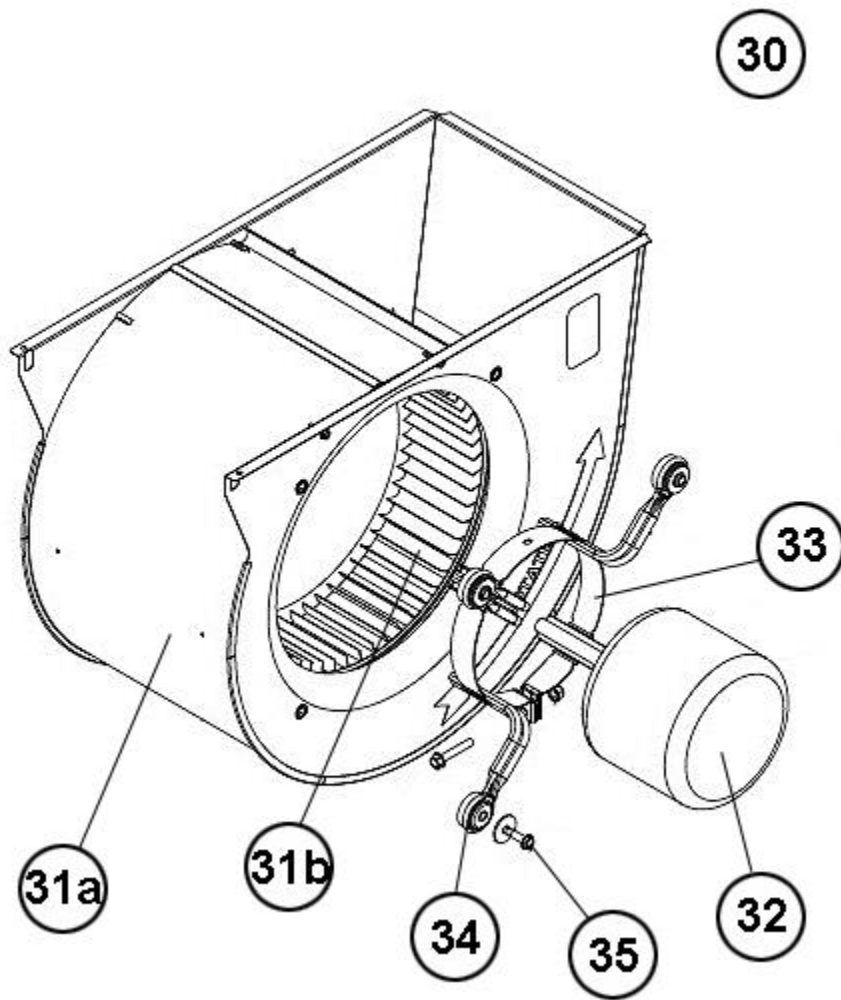
NOx Insert Assembly



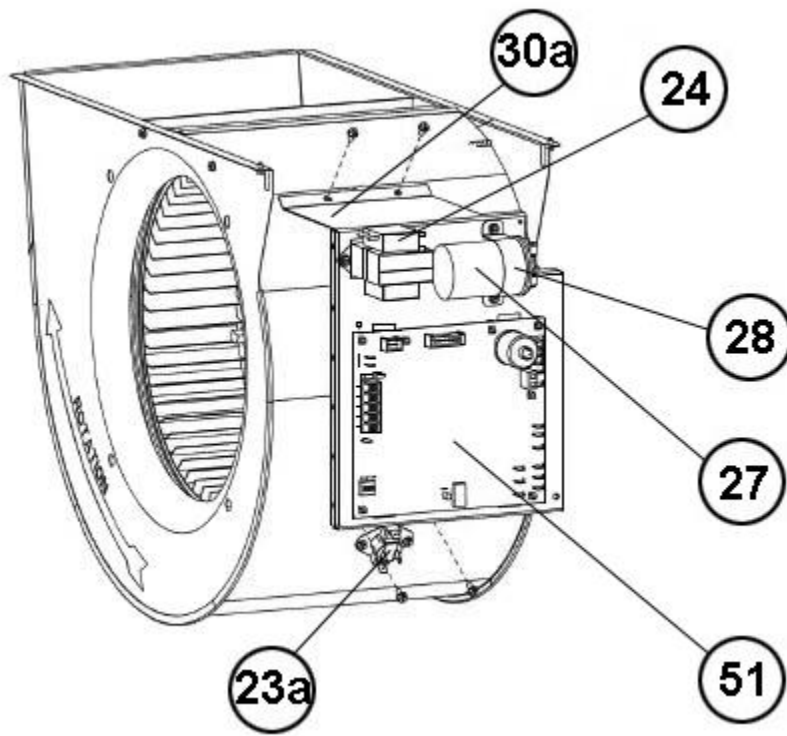
Junction Box



Blower Shelf



Blower Assembly



Blower Mounting Plate

NOTES

- Stk It is recommended that stock be maintained for this part.
N/A Not Applicable
- 1 Jacket is not available for replacement.
 - 2 Order Gas Valve for Natural Gas along with LP Conversion Kit.