

FF_CS80D(Y)

Parts List
08-July-2020



This parts list is current as of the above revision date.
www.fujitsugeneral.com

Form Number: 92-42814-FF_CS80D(Y)

Table of Contents

Model Explanation.....	Page 3
Parts Numbers	
Panels - Miscellaneous (1).....	Page 4
Panels - Miscellaneous (2).....	Page 5
Electrical Group.....	Page 6
Blower Group.....	Page 7
Heat Exchanger-Burner Group.....	Page 8
Gas Controls.....	Page 8
Orifice Selection Chart.....	Page 9
Drawings/Photographs	
Exploded View.....	Page 10
Blower Assembly.....	Page 11
Motor Bracket Assembly.....	Page 12
Burner Assembly.....	Page 13
NOx Insert Assembly.....	Page 14
Notes.....	Page 15

MODEL EXPLANATION

F	F	7	5	1	7	3	C	S	8	0	D	B
(1)		(2)		(3)		(4)	(5)	(6)	(7)		(8)	(9)

(1) TRADEBRAND IDENTIFICATION
FF = Fujitsu Furnace

(2) HEATING INPUT DESIGNATION
050 = 50,000 BTU/HR
075 = 75,000 BTU/HR
100 = 98,000 BTU/HR
125 = 125,000 BTU/HR
150 = 150,000 BTU/HR

(3) CABINET WIDTH
14 = 14.0 inch
17 = 17.5 inch
21 = 21.0 inch
24 = 24.5 inch

(4) AIRFLOW
3 = Up to 3 tons
4 = Up to 4 tons
5 = Up to 5 tons

(5) MOTOR TYPE
C = Constant Torque

(6) STAGE - SINGLE

(7) SERIES
80% Efficient

(8) STANDARD/NOx
D = Downflow - Standard
Y = Downflow - Low NOx

(9) Revision
Blank = A or First Time Release
B = Second Time Release

SERIAL NUMBER EXPLANATION

W	0	8	1	4	9	9	9	9
(1)	(2)		(3)				(4)	

(1) PLANT CODE

(2) WEEK (DATE CODE)

(3) YEAR

(4) PRODUCTION NUMBER

Note: For Gas Code, see Control System Gas Code on Rating Plate

No.	Notes	MODEL INPUT CABINET WIDTH AIRFLOW SERIES	FF	FF	FF	FF	FF	
			50	75	75	100	125	
			14	17	21	21	24	
			3	3	5	5	5	
			CS(80D/80Y)	CS(80D/80Y)	CS(80D/80Y)	CS(80D/80Y)	CS(80D/80Y)	
PANELS, SHEET METAL PARTS								
1	2	Jacket (See Note 2)	N/A	N/A	N/A	N/A	N/A	
2		Top Plate	10-66981-01	10-66981-02	10-66981-03	10-66981-03	10-66981-04	
3		Blower/Filter Door	AS-105092-11	AS-105092-12	AS-105092-13	AS-105092-13	AS-105092-14	
4		Burner Compartment Door	AS-101733-09	AS-101734-09	AS-101735-09	AS-101735-09	AS-101736-09	
		Plug Button - 1-3/16 in. opening (2)	45-22980-01	45-22980-01	45-22980-01	45-22980-01	45-22980-01	
		Door Angle	10-66980-01	10-66980-02	10-66980-03	10-66980-03	10-66980-04	
5		Mounting Control Plate	See Blower Group					
6		Junction Box	10-61475-02	10-61475-02	10-61475-02	10-61475-02	10-61475-02	
7		Junction Box Cover	10-61476-02	10-61476-02	10-61476-02	10-61476-02	10-61476-02	
8		Flue Pipe	58-66691-14	58-66691-14	58-66691-14	58-66691-14	58-66691-14	
9		Flue Pipe Enclosure	10-66982-01	10-66982-01	10-66982-01	10-66982-01	10-66982-01	
10		Flue Pipe Enclosure Door	10-66983-01	10-66983-01	10-66983-01	10-66983-01	10-66983-01	
11		Rear Baffle	10-66994-01	10-66994-02	10-66994-06	10-66994-06	10-66994-04	
12		NOx Insert Retainer	See Heat Exchanger, Burner / Manifold Group					
13		NOx Burner Inserts	See Heat Exchanger, Burner / Manifold Group					
14		Pressure Switch	See Electrical Group					
15		Door Switch - Push Button	See Electrical Group					
16		Limit - Main Limit (Heat Exchanger Panel)	See Electrical Group					
17		Limit - Manual Reset (Burner Compartment)	See Electrical Group					
18		Limit - Heat Assisted (Blower Housing)	See Electrical Group					
19		Transformer	See Electrical Group					
20		Induced Draft Blower w/Gasket	See Electrical Group					
21		Blower Assembly	See Blower Group					
27		Heat Exchanger Assembly	See Heat Exchanger Group					
28		Heat Exchanger Bracket	See Heat Exchanger Group					
		Gas Valve	See Gas Controls					
		Integrated Furnace Control Board (IFC)	See Gas Controls					
		Touch-up Paint - Private Label Gray (Aerosol)	523014	523014	523014	523014	523014	
		Touch-up Paint - Private Label Gray (Paint Pens)	523015	523015	523015	523015	523015	

No.	Notes	MODEL INPUT CABINET WIDTH AIRFLOW SERIES	FF 75 17 3 CS(80DB/80YB)				
PANELS, SHEET METAL PARTS							
1	2	Jacket (See Note 2)	N/A				
2		Top Plate	10-66981-02				
3		Blower/Filter Door	AS-105092-12				
4		Burner Compartment Door	AS-101734-09				
		Plug Button - 1-3/16 in. opening (2)	45-22980-01				
		Door Angle	10-66980-02				
5		Mounting Control Plate				See Blower Group	
6		Junction Box	10-61475-02				
7		Junction Box Cover	10-61476-02				
8		Flue Pipe	58-66691-14				
9		Flue Pipe Enclosure	10-66982-01				
10		Flue Pipe Enclosure Door	10-66983-01				
11		Rear Baffle	10-66994-02				
12		NOx Insert Retainer				See Heat Exchanger, Burner / Manifold Group	
13		NOx Burner Inserts				See Heat Exchanger, Burner / Manifold Group	
14		Pressure Switch				See Electrical Group	
15		Door Switch - Push Button				See Electrical Group	
16		Limit - Main Limit (Heat Exchanger Panel)				See Electrical Group	
17		Limit - Manual Reset (Burner Compartment)				See Electrical Group	
18		Limit - Heat Assisted (Blower Housing)				See Electrical Group	
19		Transformer				See Electrical Group	
20		Induced Draft Blower w/Gasket				See Electrical Group	
21		Blower Assembly				See Blower Group	
27		Heat Exchanger Assembly				See Heat Exchanger Group	
28		Heat Exchanger Bracket				See Heat Exchanger Group	
		Gas Valve				See Gas Controls	
		Integrated Furnace Control Board (IFC)				See Gas Controls	
		Touch-up Paint - Private Label Gray (Aerosol)	523014				
		Touch-up Paint - Private Label Gray (Paint Pens)	523015				

No.	Notes	MODEL INPUT CABINET WIDTH AIRFLOW SERIES	FF	FF	FF	FF	FF
			50 14 3 CS(80D/80Y)	75 17 3 CS(80D/80Y)	75 21 5 CS(80D/80Y)	100 21 5 CS(80D/80Y)	125 24 5 CS(80D/80Y)
ELECTRIC GROUP							
14	Stk	Pressure Switch	42-106205-01	42-106205-01	42-106205-01	42-106205-01	42-106205-01
15		Door Switch - Push Button	42-22692-06	42-22692-06	42-22692-06	42-22692-06	42-22692-06
16	Stk	Limit - Main Limit (Heat Exchanger Panel)	47-25349-07	47-25349-13	47-25349-16	47-25349-02	47-25349-02
17	Stk	Limit - Manual Reset (Burner Compartment)	47-22861-03	47-22861-03	47-22861-03	47-22861-03	47-22861-03
18	Stk	Limit - Heat Assisted (Blower Housing)	47-22860-01	47-22860-06	47-22860-06	47-22860-06	47-22860-06
19	Stk	Transformer w/Fuse	46-24124-03	46-24124-03	46-24124-03	46-24124-03	46-24124-03
20	Stk	Induced Draft Blower w/Gasket	70-101087-01	70-101087-01	70-101087-01	70-101087-01	70-101087-01
		Power Factor Choke	N/A	N/A	46-24256-02	46-24256-02	46-24256-02
		Integrated Furnace Control Board (IFC)	See Gas Controls				
		Wiring Harness - 9 pin to Roll-Out, Pressure Switch, Main Limit, etc.	45-105046-01	45-105046-01	45-105046-01	45-105046-01	45-105046-01
		Wiring Harness - 9 pin to IFC (7 pin/4 pin/3 pin)	45-105062-01	45-105062-01	45-105062-01	45-105062-01	45-105062-01
		Wiring Harness - 4 pin to 2 insulated terminals, 2 wires	45-24371-18	45-24371-18	45-24371-18	45-24371-18	45-24371-18
		Wiring Harness - 4 pin to 2 pin, 2 wires	45-24371-08	45-24371-08	45-24371-08	45-24371-08	45-24371-08
		Wire Assembly - 3 pin (Junction Box to Twist Lock)	45-24371-58	45-24371-58	45-24371-58	45-24371-58	45-24371-58
		Wiring Harness - 5 pin to 5 terminals (IFC to Motor Control)	45-103551-02	45-103551-01	See Blower Group		
		Wiring Harness - Motor Power Assembly	45-105282-03	N/A	See Blower Group		
		Wiring Harness - 4 pin from motor to (2 pin and 3 terminals) IFC and blower choke	N/A	45-103552-01	See Blower Group		
		Jumper Wire Assembly - Power Factor Choke	45-104318-01	45-104318-01	N/A	N/A	N/A

No.	Notes	MODEL INPUT CABINET WIDTH AIRFLOW SERIES	FF				
			75 17 3 CS(80DB/80YB)				
ELECTRIC GROUP							
14	Stk	Pressure Switch	42-106205-01				
15		Door Switch - Push Button	42-22692-06				
16	Stk	Limit - Main Limit (Heat Exchanger Panel)	47-25349-13				
17	Stk	Limit - Manual Reset (Burner Compartment)	47-22861-03				
18	Stk	Limit - Heat Assisted (Blower Housing)	47-22860-06				
19	Stk	Transformer w/Fuse	46-24124-03				
20	Stk	Induced Draft Blower w/Gasket	70-101087-01				
		Power Factor Choke	N/A				
		Integrated Furnace Control Board (IFC)	See Gas Controls				
		Wiring Harness - 9 pin to Roll-Out, Pressure Switch, Main Limit, etc.	45-105046-01				
		Wiring Harness - 9 pin to IFC (7 pin/4 pin/3 pin)	45-105062-01				
		Wiring Harness - 4 pin to 2 insulated terminals, 2 wires	45-24371-18				
		Wiring Harness - 4 pin to 2 pin, 2 wires	45-24371-08				
		Wire Assembly - 3 pin (Junction Box to Twist Lock)	45-24371-58				
		Wiring Harness - 5 pin to 5 terminals (IFC to Motor Control)	45-103551-02				
		Wiring Harness - Motor Power Assembly	45-105282-03				
		Wiring Harness - 4 pin from motor to (2 pin and 3 terminals) IFC and blower choke	N/A				
		Jumper Wire Assembly - Power Factor Choke	45-104318-01				

No.	Notes	MODEL INPUT CABINET WIDTH AIRFLOW SERIES	FF	FF	FF		
			50 14 3 CS(80D/80Y)	75 17 3 CS(80D/80Y)	75 17 3 CS(80DB/80YB)		
BLOWER GROUP							
21	Stk	Blower Assembly (Includes items 22-25)	AS-67876-75	AS-67876-70	AS-67876-76		
5		Control Mounting Plate	10-67877-02	10-67877-02	10-67877-02		
22		Blower Housing (with Blower Wheel)	70-61674-04	70-61674-21	70-61674-21		
23	Stk	Blower Motor	51-107391-01	51-102172-07	51-107391-02		
		Motor Mount Kit (Grommets, Screws, Nuts, Motor Support, Brackets)	70-24104-84	70-24104-82	70-24104-82		
24a		Motor Mount	70-24104-04	70-24104-02	70-24104-02		
24b		Back Rubber Grommet (4)	56-24107-01	56-24107-01	56-24107-01		
24c		Retaining Bolt (4)	63-20072-06	63-20072-06	63-20072-06		
24d		Front Rubber Grommet (4)	56-24106-01	56-24106-01	56-24106-01		
24e		Motor Mount Bracket (4)	10-61956-01	10-61956-01	10-61956-01		
24f		Screw - Motor Mount	63-24108-01	63-24108-01	63-24108-01		
24g		Square Nut - Motor Mount	63-40304-04	63-40304-04	63-40304-04		
24h		Hex Nut (4)	63-24110-01	63-24110-01	63-24110-01		
25	Stk	Blower Wheel	70-22683-01	70-24254-02	70-24254-02		
18		Limit - Heat Assisted (Blower Housing)				See Electrical Group	

No.	Notes	MODEL INPUT CABINET WIDTH CONFIGURATION	FF	FF	FF		
			75 21 5 CS(80D/80Y)	100 21 5 CS(80D/80Y)	125 24 5 CS(80D/80Y)		
BLOWER GROUP							
21	Stk	Blower Assembly - (Before Date Code) Includes items (22-25)	AS-67876-71 (W4619)	AS-67876-72 (W4619)	AS-67876-73 (W4619)		
21	Stk	Blower Assembly - (On or After Date Code) Includes items (22-25)	AS-107408-08 (W4619)	AS-107408-09 (W4619)	AS-107408-10 (W4619)		
5		Control Mounting Plate	AE-67877-02	AE-67877-02	AE-67877-02		
22		Blower Housing	70-61674-06	70-61674-06	70-61674-06		
23	Stk	Blower Motor - (Before Date Code)	51-102280-08 (W4619)	51-102280-09 (W4619)	51-102280-10 (W4619)		
23	Stk	Blower Motor - (On or After Date Code)	51-107392-08 (W4619)	51-107392-09 (W4619)	51-107392-10 (W4619)		
		Motor Mount Kit (Grommets, Screws, Nuts, Motor Support, Brackets)	70-24104-82	70-24104-82	70-24104-82		
24a		Motor Mount	70-24104-02	70-24104-02	70-24104-02		
24b		Back Rubber Grommet (4)	56-24107-01	56-24107-01	56-24107-01		
24c		Retaining Bolt (4)	63-20072-06	63-20072-06	63-20072-06		
24d		Front Rubber Grommet (4)	56-24106-01	56-24106-01	56-24106-01		
24e		Motor Mount Bracket (4)	AE-61956-01	AE-61956-01	AE-61956-01		
24f		Screw - Motor Mount	63-24108-01	63-24108-01	63-24108-01		
24g		Square Nut - Motor Mount	63-40304-04	63-40304-04	63-40304-04		
24h		Hex Nut (4)	63-24110-01	63-24110-01	63-24110-01		
25	Stk	Blower Wheel	70-23111-20	70-23111-20	70-23111-20		
18		Limit - Heat Assisted (Blower Housing)				See Electrical Group	
		Wiring Harness - Speed Plug (Before Date Code)	45-103551-01 (W4619)	45-103551-01 (W4619)	45-103551-01 (W4619)		
		Wiring Harness - Power Plug (Before Date Code)	45-103552-01 (W4619)	45-103552-01 (W4619)	45-103552-01 (W4619)		
		Wiring Harness - Speed Plug (On or After Date Code)	45-103551-02 (W4619)	45-103551-02 (W4619)	45-103551-02 (W4619)		
		Wiring Harness - Power Plug (On or After Date Code)	45-103552-02 (W4619)	45-103552-02 (W4619)	45-103552-02 (W4619)		
		Wiring Harness - Power Plug (On or After Date Code)	45-105282-03 (W1420)	45-105282-03 (W1420)	45-105282-03 (W1420)		
		Jumper Wire Assembly - Power Factor Choke				See Electrical Group	
		Power Factor Choke				See Electrical Group	

No.	Notes	MODEL INPUT CABINET WIDTH AIRFLOW SERIES	FF	FF	FF	FF	FF
			50 14 3 CS(80D/80Y)	75 17 3 CS(80D/80Y)	75 21 5 CS(80D/80Y)	100 21 5 CS(80D/80Y)	125 24 5 CS(80D/80Y)
HEAT EXCHANGER, BURNER / MANIFOLD							
12		NOX Insert Retainer (80Y)	AE-67872-01	AE-67872-02	AE-67872-02	AE-67872-03	AE-67872-04
13		NOX Burner Inserts (80Y)	AS-67875-01 (2)	AS-67875-01 (2)	AS-67875-01 (2)	AS-67875-01 (3)	AS-67875-01 (4)
27	Stk	Heat Exchanger Assembly (80D)	AS-66997-11	AS-100561-01	AS-66997-22	AS-66997-04	AS-66997-05
27	Stk	Heat Exchanger Assembly (80Y)	AS-66997-13	AS-100561-01	AS-66997-22	AS-66997-04	AS-66997-05
28		Heat Exchanger Bracket - Left Side	AE-102680-01	AE-67846-02	AE-67846-02	AE-67846-02	AE-67846-02
28		Heat Exchanger Bracket - Right Side	AE-102680-02	AE-67846-02	AE-67846-02	AE-67846-02	AE-67846-02
32	Stk	Burner Assembly	AS-60998-01	AS-60993-03	AS-60993-03	AS-60993-04	AS-60993-05
33		Burner Support	AE-60997-01	AE-60997-02	AE-60997-02	AE-60997-03	AE-60997-04
34		Burner Support Bracket (2)	AE-61588-02	AE-61588-02	AE-61588-02	AE-61588-02	AE-61588-02
		Burner Cover Plate (80D)	AE-101080-01	AE-101080-02	AE-101080-02	AE-101080-03	AE-101080-04
		Burner Cover Plate (80Y)	AE-101080-11	AE-101080-02	AE-101080-02	AE-101080-03	AE-101080-14
35	Stk	Manifold (w/o Orifices)	81-102427-01	81-102427-02	81-102427-02	81-102427-03	81-102427-04
36		Burner Orifice - Natural Gas	See Orifice Selection Chart				
36		Burner Orifice - LP	See Orifice Selection Chart				
36		Number of Orifices	(2)	(3)	(3)	(4)	(5)

No.	Notes	MODEL INPUT CABINET WIDTH AIRFLOW SERIES	FF				
			75 17 3 CS(80DB/80YB)				
HEAT EXCHANGER, BURNER / MANIFOLD							
12		NOX Insert Retainer (80Y)	AE-67872-02				
13		NOX Burner Inserts (80Y)	AS-67875-01 (2)				
27	Stk	Heat Exchanger Assembly	AS-100561-01				
28		Heat Exchanger Bracket - Left Side	AE-67846-02				
28		Heat Exchanger Bracket - Right Side	AE-67846-02				
32	Stk	Burner Assembly	AS-60993-03				
33		Burner Support	AE-60997-02				
34		Burner Support Bracket (2)	AE-61588-02				
		Burner Cover Plate	AE-101080-02				
35	Stk	Manifold (w/o Orifices)	81-102427-02				
36		Burner Orifice - Natural Gas	See Orifice Selection Chart				
36		Burner Orifice - LP	See Orifice Selection Chart				
36		Number of Orifices	(3)				

No.	Notes	MODEL GAS CODE	FFCS				
			JX				
GAS CONTROLS							
37	Stk	Gas Valve - Natural Gas	60-103901-02				
37	Stk,1	Gas Valve - LP	See Note 1				
38	Stk	Integrated Furnace Control Board (IFC)	62-105217-01				
39	Stk	Flame Sensor	62-23543-01				
40	Stk	Ignitor	62-24164-04				
		Ignitor Bracket	AE-61885-02				
		LP Conversion Kit:					
	Stk	LP Conversion Kit	FP-15				

80% GAS FURNACE - ORIFICE SELECTION CHART - NATURAL GAS

CAUTION: Selection of the correct Natural Gas Orifice requires the following information for the specific installation:

- 1) Altitude in of the installation (ft.).
- 2) Average energy content of the Natural Gas fuel from the local supplier (BTU/cu. ft.).

For detailed information and instructions for Orifice selection, see the Gas Furnace LP Conversion Kit Index 92-21519-70 and the latest edition of the National Fuel Gas Code Handbook, or the National Standard of Canada, Natural Gas and Propane Installation Code, CAN B149.1.

CAUTION: This information is provided for replacement purposes only. Conversion for operation at High Altitude must be done using the kit specified on the product specification sheet for the unit.

NOTE: This Orifice sizing chart is based on 25,000 BTU/HR per burner.

NOTE: Factory installed orifices are calculated and sized based on a Natural Gas heating value of 1075 BTU/cu. ft. and an elevation of 0 - 3000 ft.

Energy Value (BTU/cu. ft.)	Elevation (ft.)							
	0 - 1999	2000 - 2999	3000 - 3999	4000 - 4999	5000 - 5999	6000 - 6999	7000 - 7999	8000 - 8999
850	62-22175-38	62-22175-39	62-22175-40	62-22175-41	62-22175-41	62-22175-42	62-22175-42	62-22175-43
900	62-22175-40	62-22175-41	62-22175-42	62-22175-42	62-22175-42	62-22175-43	62-22175-43	62-22175-44
975	62-22175-41	62-22175-42	62-22175-42	62-22175-42	62-22175-43	62-22175-43	62-22175-44	62-22175-44
1075	62-22175-42	62-22175-42	62-22175-43	62-22175-43	62-22175-43	62-22175-44	62-22175-44	62-22175-45
1170	62-22175-43	62-22175-44	62-22175-44	62-22175-44	62-22175-45	62-22175-45	62-22175-46	62-22175-47

80% GAS FURNACE - ORIFICE SELECTION CHART - LP

CAUTION: Selection of the correct LP Orifice requires the altitude of the specific installation (ft.).

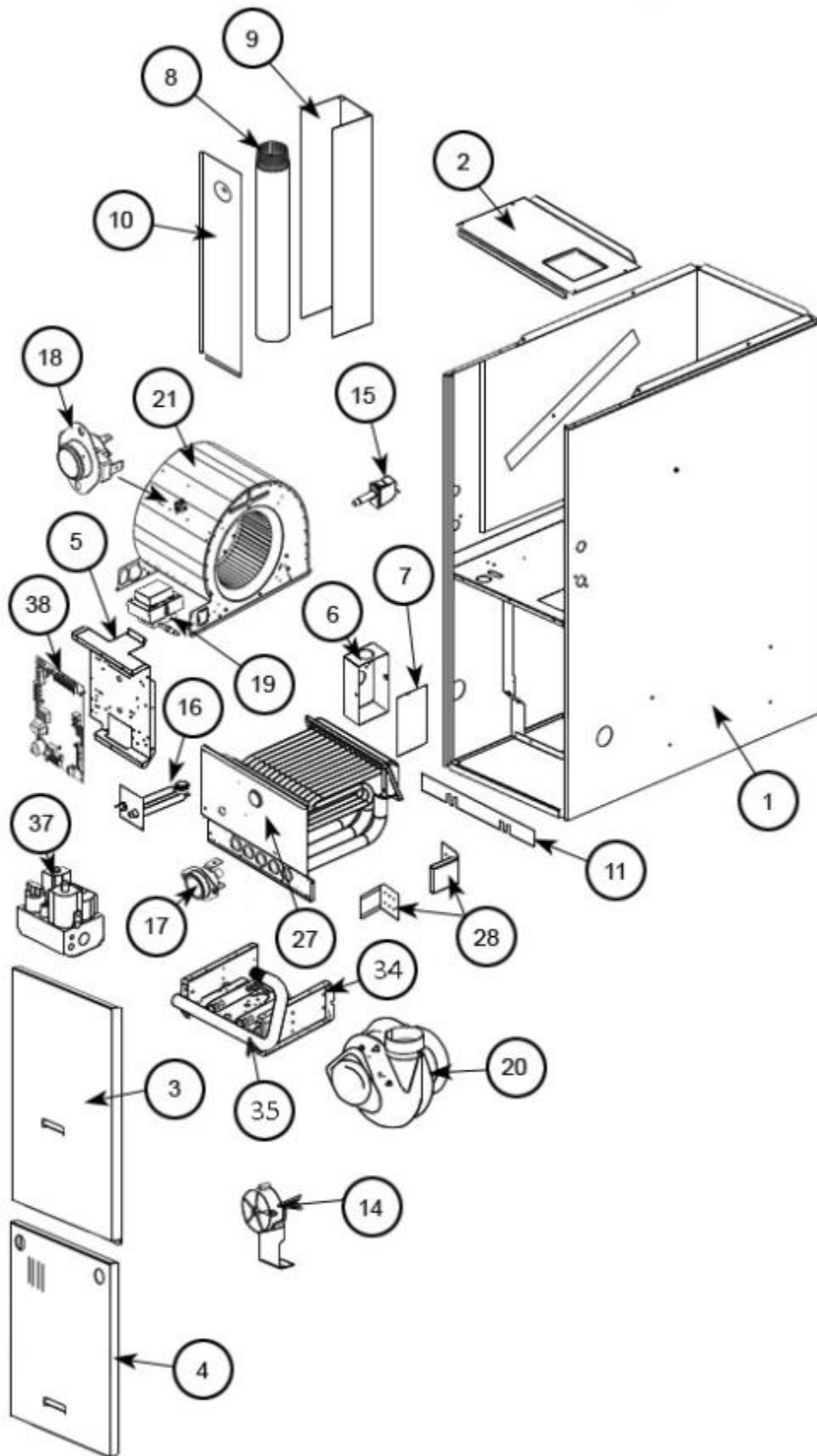
For detailed information and instructions for Orifice selection, see the Gas Furnace LP Conversion Kit Index 92-21519-70 and the latest edition of the National Fuel Gas Code Handbook (NFG), or the National Standard of Canada, Natural Gas and Propane Installation Code, CAN B149.1.

CAUTION: This information is provided for replacement purposes only. Conversion to LP or for operation at High Altitude should be done using the kit(s) specified on the product specification sheet for the unit.

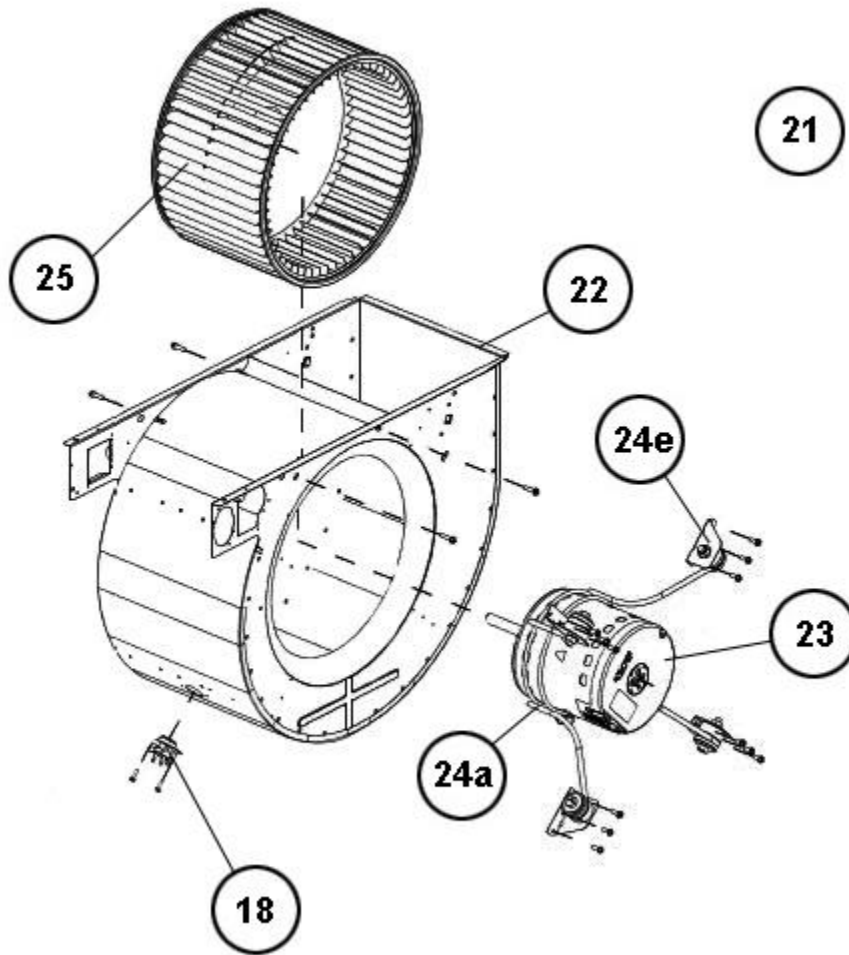
NOTE: This Orifice sizing chart is based on 25,000 BTU/HR per burner. Also, the chart is developed using the specified pressure setting of 10 in. water column instead of the 11.0 in water column used by the NFG and CANB149.1.

NOTE: Orifices supplied in the LP Conversion Kit are calculated and sized based on an altitude of 0 - 4000 ft.

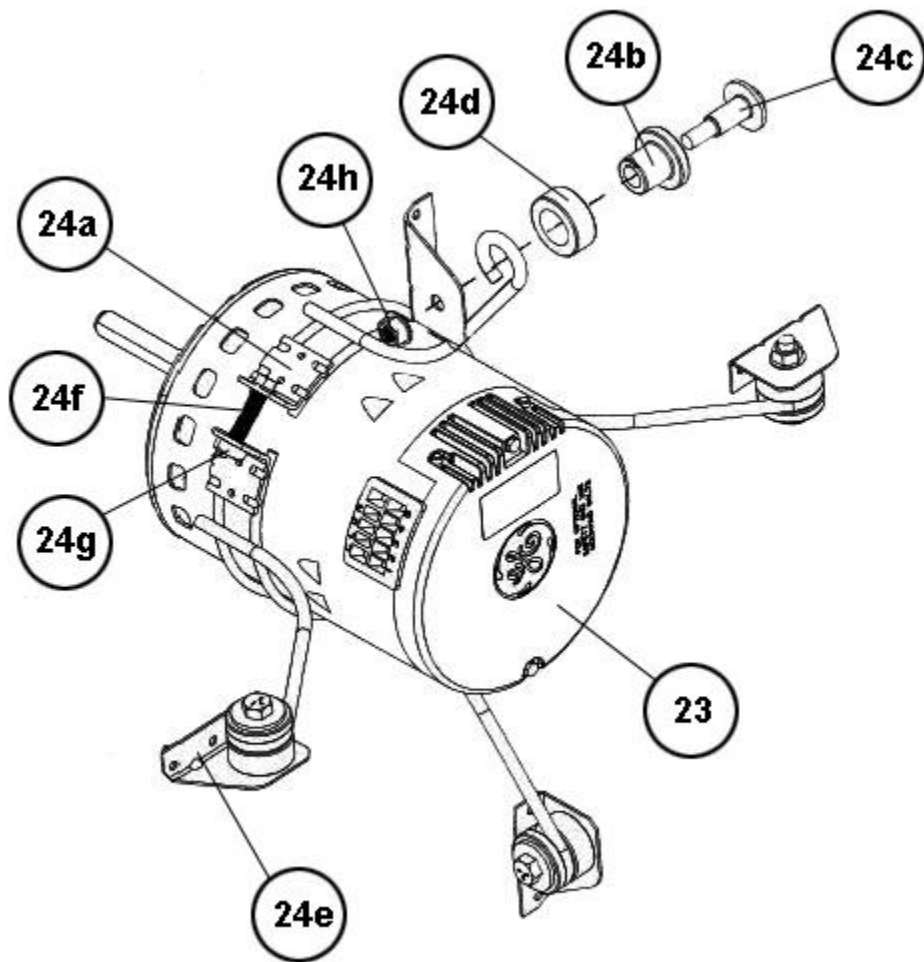
Elevation (ft.)	Orifice							
0 - 2000	62-22175-54							
2001 - 3000	62-22175-54							
3001 - 4000	62-22175-54							
4001 - 5000	62-22175-54							
5001 - 6000	62-22175-54							
6001 - 7000	62-22175-54							
7001 - 8000	62-22175-55							
8001 - 9000	62-22175-55							
9001 - 10000	62-22175-55							



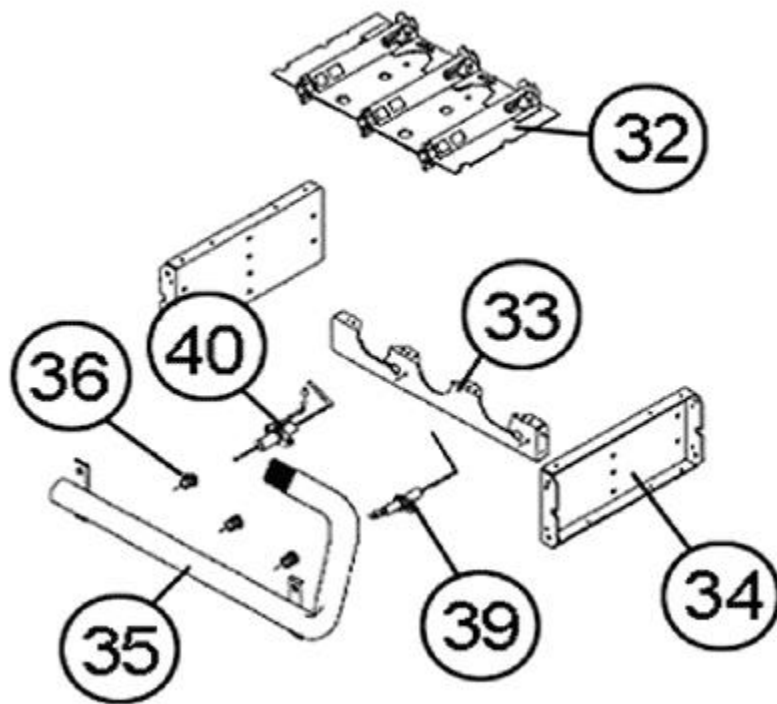
Exploded View



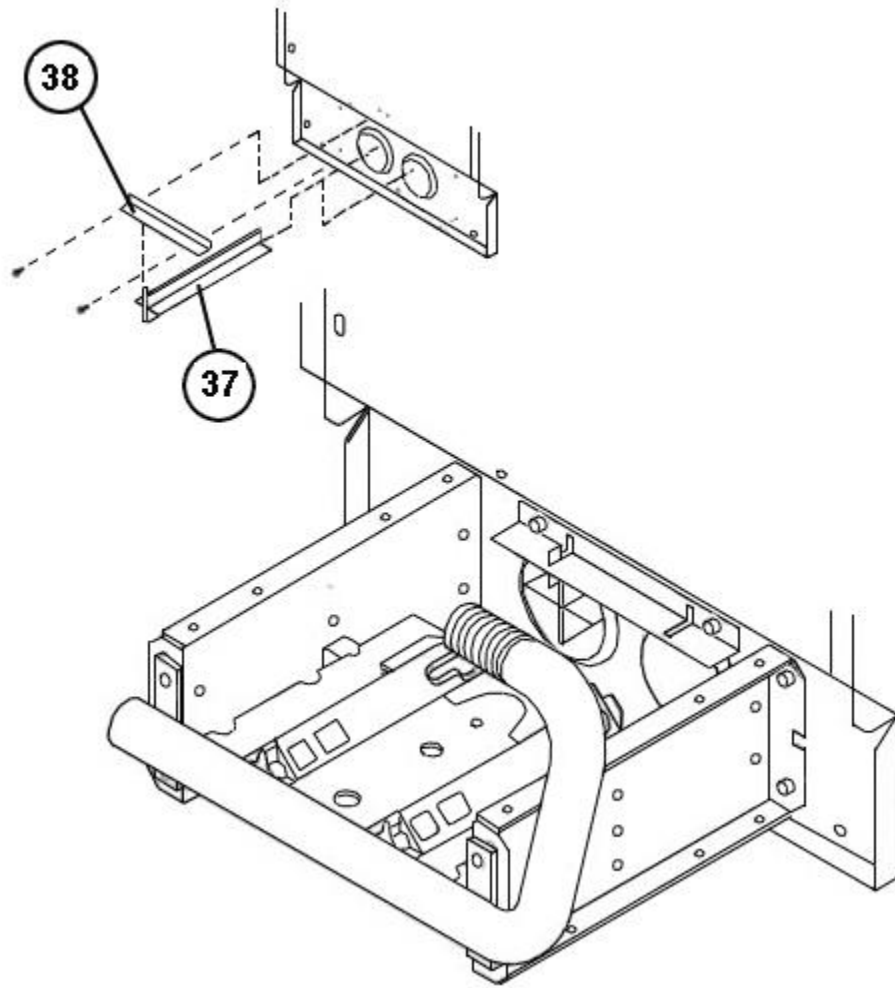
Blower Assembly



Motor Bracket Assembly



Burner Assembly



NOx Insert Assembly

NOTES

- Stk It is recommended that stock be maintained for this part.
N/A Not Applicable
- 1 Order Gas Valve for Natural Gas along with LP Conversion Kit.
 - 2 Jacket is not available for replacement.