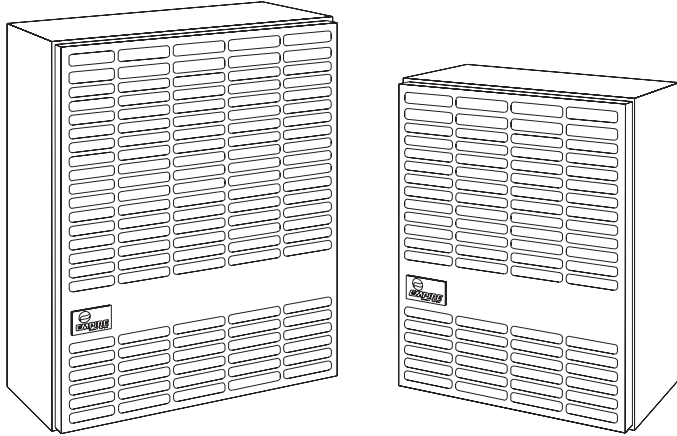




# INSTALLATION INSTRUCTIONS AND OWNER'S MANUAL



## DIRECT VENT WALL FURNACE

MODELS  
DV210SGXLP-1  
DV210SGXNAT-1  
DV215SGXLP-1  
DV215SGXNAT-1



### INSTALLER:

Leave this manual with the appliance.

### CONSUMER:

Retain this manual for future reference.

### ⚠ WARNING

#### FIRE OR EXPLOSION HAZARD

If the information in these instructions is not followed exactly, a fire or explosion may result causing property damage, personal injury or loss of life.

- Do not store or use gasoline or other flammable vapors and liquids in the vicinity of this or any other appliance.
- **WHAT TO DO IF YOU SMELL GAS**
  - Do not try to light any appliance.
  - Do not touch any electrical switch; do not use any phone in your building.
  - Leave the building immediately.
  - Immediately call your gas supplier from a neighbor's phone. Follow the gas supplier's instructions.
  - If you cannot reach your gas supplier, call the fire department.
- Installation and service must be performed by a qualified installer, service agency or the gas supplier.

### ⚠ WARNING

If not installed, operated and maintained in accordance with the manufacturer's instructions, this product could expose you to substances in fuel or from fuel combustion which can cause death or serious illness.

This appliance may be installed in an after-market, permanently located, manufactured home (USA only), or mobile home, where not prohibited by state or local codes.

This appliance is only for use with the type of gas indicated on the rating plate. This appliance is not convertible for use with other gases, unless a certified kit is used.

# TABLE OF CONTENTS

SECTION	PAGE
Important Safety Information.....	3
Safety Information for Users of Propane Gas .....	4
Requirements for Massachusetts .....	5
Introduction .....	6
Specifications.....	6
Gas Supply .....	7
Clearances .....	8
Installation Instructions .....	8-9
Lighting Instructions .....	10
Maintenance .....	12
Pilot Flame Characteristics .....	13
Main Burner Flame Characteristics .....	13
Troubleshooting .....	13
Parts List .....	14
Parts View.....	15
Optional Blower Installation Instructions .....	16-17
Master Parts Distributor List.....	18
How to Order Repair Parts.....	18
Warranty.....	19

# IMPORTANT SAFETY INFORMATION

## THIS IS A HEATING APPLIANCE

DO NOT OPERATE THIS APPLIANCE WITHOUT FRONT PANEL INSTALLED.

- Due to high temperatures the appliance should be located out of traffic and away from furniture and draperies.
- Children and adults should be alerted to the hazards of high surface temperatures and should stay away to avoid burns or clothing ignition.
- Young children should be carefully supervised when they are in the same room as the appliance.
- Clothing or other flammable material should not be placed on or near the appliance.
- Any safety screen or guard removed for servicing an appliance must be replaced prior to operating the appliance.
- Keep burner and control compartment clean.
- Vent cap hot while furnace is in operation.
- Installation and repair should be done by a **QUALIFIED SERVICE PERSON**. The appliance should be inspected before use and at least annually by a qualified service person.
- More frequent cleaning may be required due to excessive lint from carpeting, bedding materials, etc. It is imperative that control compartments, burners, and circulating air passageways of the appliance be kept clean.
- **DO NOT** put anything around the furnace that will obstruct the flow of combustion and ventilation air.
- **DO** keep the appliance area clear and free from combustible material, gasoline, and other flammable vapors and liquids.
- **DO** examine venting system periodically and replace damaged parts.
- **DO** examine burners periodically. Clean and replace damaged parts.
- **CAUTION:** Pilot hole cover must be kept tightly closed during operation.
- **DO NOT** use this heater if any part has been under water. Immediately call a qualified service technician to inspect the heater and to replace any part of the control system and any gas control which has been under water.

# SAFETY INFORMATION FOR USERS OF PROPANE GAS

Propane is a flammable gas which can cause fires and explosions. In its natural state, propane is odorless and colorless. You may not know all the following safety precautions which can protect both you and your family from an accident. Read them carefully now, then review them point by point with the members of your household. Someday when there may not be a minute to lose, everyone's safety will depend on knowing exactly what to do. If, after reading the following information, you feel you still need more information, please contact your gas supplier.

## PROPANE GAS WARNING ODOR

**If a gas leak happens, you should be able to smell the gas because of the odorant put in the Propane Gas. That's your signal to go into immediate action!**

- Do not operate electric switches, light matches, use your phone. Do not do anything that could ignite the gas.
- Get everyone out of the building, vehicle, trailer, or area. Do that IMMEDIATELY.
- Close all gas tank or cylinder supply valves.
- Propane Gas is heavier than air and may settle in low areas such as basements. When you have reason to suspect a gas leak, keep out of basements and other low areas. Stay out until firefighters declare them to be safe.
- Use your neighbor's phone and call a trained Propane Gas service person and the fire department. Even though you may not continue to smell gas, do not turn on the gas again. Do not re-enter the building, vehicle, trailer, or area.
- **Finally**, let the service man and firefighters check for escaped gas. Have them air out the area before you return. Properly trained Propane Gas service people should repair the leak, then check and relight the gas appliance for you.

## NO ODOR DETECTED - ODOR FADE

Some people cannot smell well. Some people cannot smell the odor of the chemical put into the gas. You must find out if you can smell the odorant in propane. Smoking can decrease your ability to smell. Being around an odor for a time can affect your sensitivity or ability to detect that odor. Sometimes other odors in the area mask the gas odor. People may not smell the gas odor or their minds are on something else. Thinking about smelling a gas odor can make it easier to smell.

The odorant in Propane Gas is colorless, and it can fade under some circumstances. For example, if there is an underground leak, the movement of the gas through soil can filter the odorant. Odorants in Propane Gas also are subject to oxidation. This fading can occur if there is rust inside the storage tank or in iron gas pipes.

The odorant in escaped gas can adsorb or absorb onto or into walls, masonry and other materials and fabrics in a room. That will take some of the odorant out of the gas, reducing its odor intensity.

Propane Gas may stratify in a closed area, and the odor intensity could vary at different levels. Since it is heavier than air, there may be more odor at lower levels. Always be sensitive to the slightest gas odor. If you detect any odor, treat it as a serious leak. Immediately go into action as instructed earlier.

## SOME POINTS TO REMEMBER

- Learn to recognize the odor of Propane Gas. Your local Propane Gas Dealer can give you a "Scratch and Sniff" pamphlet. Use it to find out what the propane odor smells like. If you suspect that your Propane Gas has a weak or abnormal odor, call your Propane Gas Dealer.
- If you are not qualified, do not light pilot lights, perform service, or make adjustments to appliances on the Propane Gas system. If you are qualified, consciously think about the odor of Propane Gas prior to and while lighting pilot lights or performing service or making adjustments.
- Sometimes a basement or a closed-up house has a musty smell that can cover up the Propane Gas odor. Do not try to light pilot lights, perform service, or make adjustments in an area where the conditions are such that you may not detect the odor if there has been a leak of Propane Gas.
- Odor fade, due to oxidation by rust or adsorption on walls of new cylinders and tanks, is possible. Therefore, people should be particularly alert and careful when new tanks or cylinders are placed in service. Odor fade can occur in new tanks, or reinstalled old tanks, if they are filled and allowed to set too long before refilling. Cylinders and tanks which have been out of service for a time may develop internal rust which will cause odor fade. If such conditions are suspected to exist, a periodic sniff test of the gas is advisable. If you have any question about the gas odor, call your Propane Gas Dealer. A periodic sniff test of the Propane Gas is a good safety measure under any condition.
- If, at any time, you do not smell the Propane Gas odorant and you think you should, assume you have a leak. Then take the same immediate action recommended above for the occasion when you do detect the odorized Propane Gas.
- If you experience a complete "gas out," (the container is under no vapor pressure), turn the tank valve off immediately. If the container valve is left on, the container may draw in some air through openings such as pilot light orifices. If this occurs, some new internal rusting could occur. If the valve is left open, then treat the container as a new tank. Always be sure your container is under vapor pressure by turning it off at the container before it goes completely empty or having it refilled before it is completely empty.

# REQUIREMENTS FOR MASSACHUSETTS

For all side wall horizontally vented gas fueled equipment installed in every dwelling, building or structure used in whole or in part for residential purposes, including those owned or operated by the Commonwealth and where the side wall exhaust vent termination is less than seven (7) feet above finished grade in the area of the venting, including but not limited to decks and porches, the following requirements shall be satisfied:

1. **INSTALLATION OF CARBON MONOXIDE DETECTORS.** At the time of installation of the side wall horizontal vented gas fueled equipment, the installing plumber or gasfitter shall observe that a hard wired carbon monoxide detector with an alarm and battery back-up is installed on the floor level where the gas equipment is to be installed. In addition, the installing plumber or gasfitter shall observe that a battery operated or hard wired carbon monoxide detector with an alarm is installed on each additional level of the dwelling, building or structure served by the side wall horizontal vented gas fueled equipment. It shall be the responsibility of the property owner to secure the services of qualified licensed professionals for the installation of hard wired carbon monoxide detectors.
  - a. In the event that the side wall horizontally vented gas fueled equipment is installed in a crawl space or an attic, the hard wired carbon monoxide detector with alarm and battery back-up may be installed on the next adjacent floor level.
  - b. In the event that the requirements of this subdivision can not be met at the time of completion of installation, the owner shall have a period of thirty (30) days to comply with the above requirements; provided, however, that during said thirty (30) day period, a battery operated carbon monoxide detector with an alarm shall be installed.
2. **APPROVED CARBON MONOXIDE DETECTORS.** Each carbon monoxide detector as required in accordance with the above provisions shall comply with NFPA 720 and be ANSI/UL 2034 listed and IAS certified.
3. **SIGNAGE.** A metal or plastic identification plate shall be permanently mounted to the exterior of the building at a minimum height of eight (8) feet above grade directly in line with the exhaust vent terminal for the horizontally vented gas fueled heating appliance or equipment. The sign shall read, in print size no less than one-half (1/2) inch in size, "**GAS VENT DIRECTLY BELOW. KEEP CLEAR OF ALL OBSTRUCTIONS**".
4. **INSPECTION.** The state or local gas inspector of the side wall horizontally vented gas fueled equipment shall not approve the installation unless, upon inspection, the inspector observes carbon monoxide detectors and signage installed in accordance with the provisions of 248 CMR 5.08(2)(a) 1 through 4.
  - (b) **EXEMPTIONS:** The following equipment is exempt from 248 CMR 5.08(2)(a)1 through 4:
    1. The equipment listed in Chapter 10 entitled "Equipment Not Required To Be Vented" in the most current edition of NFPA 54 as adopted by the Board; and
    2. Product Approved side wall horizontally vented gas fueled equipment installed in a room or structure separate from the dwelling, building or structure used in whole or in part for residential purposes.
  - (c) **MANUFACTURER REQUIREMENTS - GAS EQUIPMENT VENTING SYSTEM PROVIDED.** When the manufacturer of Product Approved side wall horizontally vented gas equipment provides a venting system design or venting system components with the equipment, the instructions provided by the manufacturer for installation of the equipment and the venting system shall include:
    1. Detailed instructions for the installation of the venting system design or the venting system components; and
    2. A complete parts list for the venting system design or venting system.
  - (e) A copy of all installation instructions for all Product Approved side wall horizontally vented gas fueled equipment, all venting instructions, all parts lists for venting instructions, and/or all venting design instructions shall remain with the appliance or equipment at the completion of the installation.

# INTRODUCTION

## Introduction

Always consult your local Building Department regarding regulations, codes or ordinances which apply to the installation of a direct vent wall furnace.

### Instructions to Installer

1. Installer must leave instruction manual with owner after installation.
2. Installer must have owner fill out and mail warranty card supplied with furnace.
3. Installer should show owner how to start and operate furnace.

### WARNING

**Any change to this furnace or its control can be dangerous. This is a heating appliance and any panel, door or guard removed for servicing an appliance must be replaced prior to operating the appliance.**

**To Conserve Gas: Turn off pilot when heater is not in use.**

## General Information

This furnace is design certified in accordance with American National Standard/CSA Standard Z21.86 and CSA 2.32 by the Canadian Standards Association, as a Gravity Direct Vent Wall Furnace to be installed on an outside wall according to these instructions.

Any alteration of the original design, installed other than as shown in these instructions or use with a type of gas not shown on the rating plate is the responsibility of the person and company making the change.

## Important

All correspondence should refer to complete Model No., Serial No. and type of gas.

Notice: During initial firing of this unit, its paint will bake out and smoke will occur. To prevent triggering of smoke alarms, ventilate the room in which the unit is installed.

## Installation in Residential Garages

Gas utilization equipment in residential garages shall be installed so that all burners and burner ignition devices are located not less than 18" (457mm) above the floor.

Such equipment shall be located, or protected, so it is not subject to physical damage by a moving vehicle.

## Qualified Installing Agency

Installation and replacement of gas piping, gas utilization equipment or accessories and repair and servicing of equipment shall be performed only by a qualified agency. The term "qualified agency" means any individual, firm, corporation or company which either in person or through a representative is engaged in and is responsible for (a) the installation or replacement of gas piping or (b) the connection, installation, repair or servicing of equipment, who is experienced in such work, familiar with all precautions required and has complied with all the requirements of the authority having jurisdiction.

**Commonwealth of Massachusetts:** The installation must be made by a licensed plumber or gas fitter in the Commonwealth of Massachusetts.

The installation must conform with local codes or, in the absence of local codes, with the *National Fuel Gas Code ANSI Z223.1/NFPA 54\* Natural Gas and Propane Installation Code, CSA B149.1.*

*\*Available from the American National Standards Institute, Inc., 11 West 42nd St., New York, N.Y. 10036.*

## High Altitudes

For altitudes/elevations above 2,000 feet (610m), input ratings should be reduced at the rate of 4 percent for each 1,000 feet (305m) above sea level. Canadian High Altitudes for locations having an elevation above mean sea level between 2,000 feet (610m) and 4,500 feet (1370m), the manifold pressure is to be decreased from 4.0" w.c. (.996kPa) to 3.2" w.c. (.797kPa) for Natural Gas and from 10.0" w.c. (2.49kPa) to 8.0" w.c. (1.99kPa) for Propane Gas.

## Installation on Rugs and Tile

If this appliance is to be installed directly on carpeting, tile, or other combustible material, other than wood flooring, the appliance shall be installed on a metal or wood panel extending the full width and depth of the appliance.

The base referred to above does not mean the fire-proof base as used on wood stoves. The protection is primarily for rugs that may be extremely thick and light-color tile that may discolor.

# INTRODUCTION (CONT'D)

When an existing Category 1 heater is removed or replaced, the original venting system may no longer be sized to properly vent the attached appliances. Instructions shall also indicate effects of an

improperly sized venting system (formation of condensate, leakage, spillage, etc.) and shall specify the following test procedure:

## ⚠ WARNING

### CARBON MONOXIDE POISONING HAZARD

Failure to follow the steps outlined below for each appliance connected to the venting system being placed into operation could result in carbon monoxide poisoning or death.

The following steps shall be followed for each appliance connected to the venting system being placed into operation, while all other appliances connected to the venting system are not in operation:

1. Seal any unused openings in the venting system.
2. Inspect the venting system for proper size and horizontal pitch, as required in the National Fuel Gas Code, ANSI Z223.1/NFPA 54 or the Natural Gas and Propane Installation Code, CSA B149.1 and these instructions. Determine that there is no blockage or restriction, leakage, corrosion and other deficiencies which could cause an unsafe condition.
3. As far as practical, close all building doors and windows and all doors between the space in which the appliance(s) connected to the venting system are located and other spaces of the building.
4. Close fireplace dampers.

5. Turn on clothes dryers and any appliance not connected to the venting system. Turn on any exhaust fans, such as range hoods and bathroom exhausts, so they are operating at maximum speed. Do not operate a summer exhaust fan.
6. Follow the lighting instructions. Place the appliance being inspected into operation. Adjust the thermostat so appliance is operating continuously.
7. Test for spillage from draft hood equipped appliances at the draft hood relief opening after 5 minutes of main burner operation. Use the flame of a match or candle.
8. If improper venting is observed during any of the above tests, the venting system must be corrected in accordance with National Fuel Gas Code, ANSI Z223.1/NFPA 54 and/or Natural Gas and Propane Installation Code, CSA B149.1.
9. After it has been determined that each appliance connected to the venting system properly vents when tested as outlined above, return doors, windows, exhaust fans, fireplace dampers and any other gas-fired burning appliance to their previous conditions of use.

# SPECIFICATIONS

Model	DV-210	DV-215
Input BTU/HR (KW/H)	10,000 (2.9)	15,000 (4.4)
Height	21 3/8" (543mm)	24 7/8" (632mm)
Width	16 1/4" (413mm)	20 1/4" (514mm)
Depth	9 3/8" (239mm)	9 3/8" (239mm)
Gas Inlet	1/2" (13mm)	1/2" (13mm)
Options for Above Furnaces		
Blower	DVB-1	DVB-1
VINYL SIDING VENT KITS		
Description	Model Number	
Vinyl Siding Vent Kit	DV822	DV822
Vinyl Siding Vent Kit	VSK1	VSK1
VENT EXTENSION KITS		
Part Number	Description	Used On
TH358	Vent Extension Kit For Propane Units (13"-19" Walls)	DV2155GXLP-1
TH357	Vent Extension Kit For Propane Units (13"-19" Walls)	DV2155GXNAT-1
CONVERSION KITS		
Part Number	Description	Used On
17081	Propane to Natural	DV210SGXLP-1
17080	Natural to Propane	DV210SGXNAT-1
17083	Propane to Natural	DV215SGXLP-1
17082	Natural to Propane	DV215SGXNAT-1

# GAS SUPPLY

## Locating Gas Supply

The gas line can enter the unit either through the floor or outside wall. The gas line opening should be made at this time. Location of the opening will be determined by the position of floor joists and the valve and union used for servicing.

### Recommended Gas Pipe Diameter

Pipe Length	Schedule 40 Pipe Inside Diameter		Tubing, Type L Outside Diameter	
	Natural	Propane	Natural	Propane
0-10 feet 0-3 meters	1/2"	3/8"	1/2"	3/8"
	12.7 mm	9.5mm	12.7 mm	9.5 mm
10-40 feet 4-12 meters	1/2"	1/2"	5/8"	1/2"
	12.7 mm	12.7mm	15.9 mm	12.7 mm
40-100 feet 13-30 meters	1/2"	1/2"	3/4"	1/2"
	12.7 mm	12.7mm	19 mm	12.7 mm
100-150 feet 31-46 meters	3/4"	1/2"	7/8"	3/4"
	19 mm	12.7 mm	22.2 mm	19 mm

**NOTE:** Never use plastic pipe. Check to confirm whether your local codes allow copper tubing or galvanized.

**NOTE:** Since some municipalities have additional local codes, it is always best to consult your local authority and installation code.

The use of the following gas connectors is recommended:

- ANS Z21.24 Appliance Connectors of Corrugated Metal Tubing and Fittings
- ANS Z21.45 Assembled Flexible Appliance Connectors of Other Than All-Metal Construction

The above connectors may be used if acceptable by the authority having jurisdiction. The Commonwealth of Massachusetts requires that a flexible appliance connector cannot exceed three feet in length.

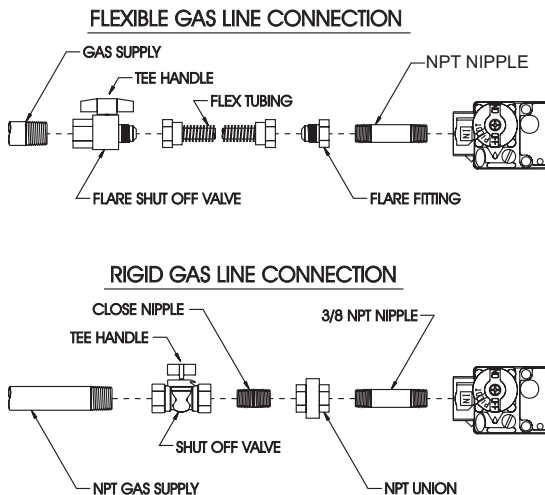


Figure 1

Consult the current National Fuel Gas Code, ANSI Z223.1 CAN/CGA-B149 (.1 or .2) installation code.

## Installing a New Main Gas Shut-Off

Each appliance should have its own manual gas shut-off. A manual main gas shut-off should be located in the vicinity of the unit. Where none exists, or where its size or location is not adequate, contact your local authorized installer for installation or relocation. Compounds used on threaded joints of gas piping shall be resistant to the action of liquefied petroleum gases. The gas lines must be

checked for leaks by the installer. This should be done with a soap solution watching for bubbles on all exposed connections, and if unexposed, a pressure test should be made.

Never use an exposed flame to check for leaks. Appliance must be disconnected from piping at inlet of control valve and pipe capped or plugged for pressure test. Never pressure test with appliance connected; control valve will sustain damage!

A gas valve and ground joint union should be installed in the gas line upstream of the gas control to aid in servicing. It is required by the National Fuel Gas Code that a drip line be installed near the gas inlet. This should consist of a vertical length of pipe tee connected into the gas line that is capped on the bottom in which condensation and foreign particles may collect.

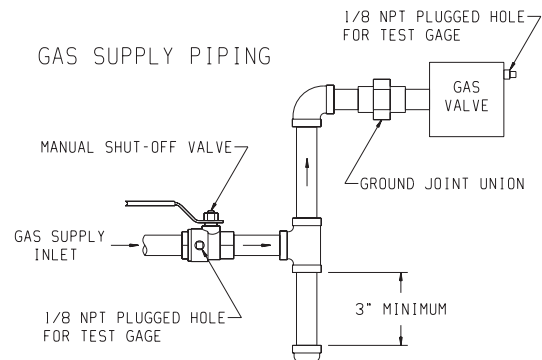


Figure 2  
Method of Installing a Tee Fitting Sediment Trap

## Pressure Testing of the Gas Supply System

1. To check the inlet pressure to the gas valve, a 1/8" (3mm) N.P.T. plugged tapping, accessible for test gauge connection, must be placed immediately upstream of the gas supply connection to the appliance.
2. The appliance and its individual shut-off valve must be disconnected from the gas supply piping system during any pressure testing of that system at test pressures in excess of 1/2 psig (3.5 kPa).
3. The appliance must be isolated from the gas supply piping system by closing its individual manual shut-off valve during any pressure testing of the gas supply piping system at test pressures equal to or less than 1/2 psig (3.5 kPa).

**Attention!** If one of the above procedures results in pressures in excess of 1/2 psig (14" w.c.) (3.5 kPa) on the appliance gas valve, it will result in a hazardous condition.

## Checking Manifold Pressure

Both Propane and Natural Gas valves have a built-in pressure regulator in the gas valve. Natural Gas models will have a manifold pressure of approximately 4.0" w.c. (.996kPa) at the valve outlet with the inlet pressure to the valve from a minimum of 5.0" w.c. (1.245kPa) for the purpose of input adjustment to a maximum of 10.5" w.c. (2.61kPa). Propane Gas models will have a manifold pressure approximately 10.0" w.c. (2.49kPa) at the valve outlet with the inlet pressure to the valve from a minimum of 11.0" w.c. (2.739kPa) for the purpose of input adjustment to a maximum of 13.0" w.c. (3.237kPa).

A 1/8" (3mm) N.P.T. plugged tapping, accessible for test gauge connection, is located on the outlet side of the gas control.



# CLEARANCES

1. In selecting a location for installation, it is necessary to provide adequate accessibility clearances for servicing and proper installation.
2. Although certified for 0 clearance to the floor, the unit is held in place by a wall bracket. Enough clearance [2" (51mm)] suggested to allow changing or adding floor covering is recommended. Other clearances to combustible construction: Sides 1" (25mm) and 12" (305mm) from the top.
3. Note the position of the vent relative to the center of the unit. The DV-210 has the vent in the center. The DV-215 vent is 2" (51mm) off center to the right.
4. The minimum distance from the center of the outside vent to the nearest outside corner or obstruction is 16" (406mm).
5. The DV-210/DV-215 minimum wall depth is 4 1/2" (114mm) and maximum wall depth is 13" (330mm). The use of tubes not supplied by the manufacturer result in unsatisfactory performance.

The vent terminal of a direct vent appliance, with an input of 10,000 Btu per hour (3 kW) or less shall be located at least 6" (150mm)

from any air opening into a building, and such an appliance with an input over 10,000 Btu per hour (3 kW) but not over 50,000 Btu per hour (14.7 kW) shall be installed with a 9" (229mm) vent terminal clearance and the bottom of the vent terminal and the air intake shall be located at least 12" (305mm) above grade.

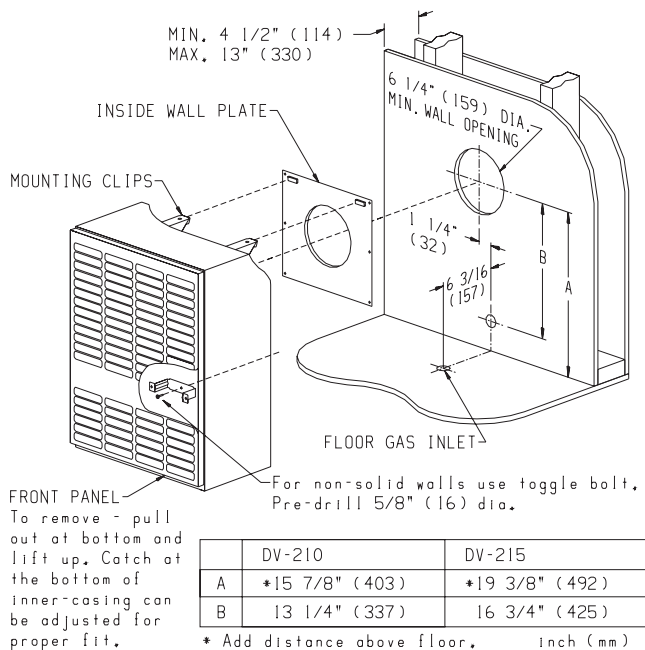
## CAUTION

**The nearest point of the vent cap should be a minimum horizontal distant of six (6) feet (1.8m) from any pressure regulator. In case of regulator malfunction, the six feet (1.8m) distance will reduce the chance of gas entering the vent cap.**

The maximum wall depth may be extended to 19" (483mm) by using the TH357 vent extension kit for natural units, and the TH358 unit extension kit for propane units. These kits can only be installed on DV215 models in the U.S.. Not approved for Canada.

# INSTALLATION INSTRUCTIONS

The furnace is to be located on an outside wall. Locate wall studs so that wall opening will be located between wall studs. One wall stud can be used for attachment of inside wall plate. The wall opening required as shown in **Figure 3** is a minimum diameter of 6 1/4 (159mm) inches. The inside wall plate and the outside wall plate are large enough to permit a wall opening diameter of 8 inches (203mm). A template is provided in furnace carton for positioning furnace on the wall. Also, refer to **Figure 3** for positioning the furnace on wall and for locating gas line connection.



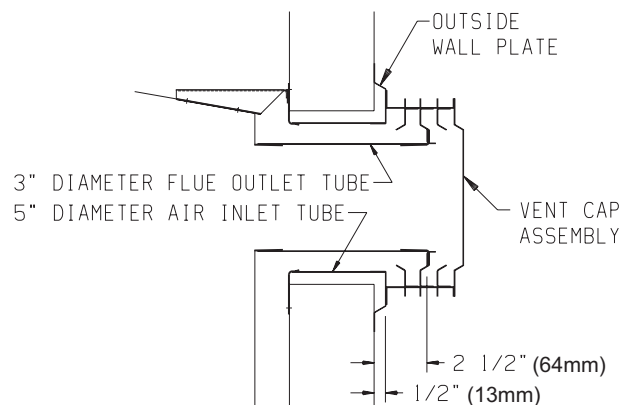
**Figure 3**

## Installing Inside Wall Plate

After the wall opening has been located and cut, center and level inside wall plate in wall opening. The collar on the inside wall plate is to be placed within the wall opening. If there is insulation above the wall opening (air inlet tube) a barrier should be installed above the wall opening (air inlet tube) to prevent insulation from coming in contact with the air inlet tube. The barrier must not penetrate into the 6-1/4" (159mm) diameter wall opening. On solid wall or wall stud, attach inside wall plate with (6) #10 x 1 1/2" (38mm) screws provided. On sheet rock wall, by using wall opening for access, attach inside wall plate with (6) #10 x 1 1/2" (38mm) screws and (6) Tinnerman nuts provided.

## Attaching Furnace To Inside Wall Plate

Align and attach mounting clips on furnace back with mounting slots on inside wall plate. The furnace support bracket located at furnace bottom is to be secured to wall. On solid wall, secure furnace support bracket with (1) #10 x 1 1/2" (38mm) screw provided. On sheet rock wall, secure furnace support bracket with (1) toggle bolt provided.



**Figure 4**

# INSTALLATION INSTRUCTIONS (CONT'D)

## Cutting Vent Tubes

This is the most important part of the installation. With the furnace installed on wall the 5" (127mm) diameter air inlet tube and 3" (76mm) diameter flue outlet tube are to be marked and cut using the following procedure.

1. Attach 5" (127mm) diameter air inlet tube onto the collar of air drop assembly. Be sure 5" (127mm) diameter air inlet tube is placed as far as possible onto the collar of the air drop assembly. Mark the 5" (127mm) diameter air inlet tube 1/2" (13mm) beyond the outside wall. Remove 5" (127mm) diameter air inlet tube from collar of air drop assembly.
2. Attach 3" (76mm) diameter flue outlet tube onto flue outlet collar on combustion chamber. Be sure 3" (76mm) diameter flue outlet tube is placed as far as possible onto the collar of flue outlet. Mark the 3" (76mm) diameter flue outlet tube 2" (51mm) beyond the outside wall. Remove 3" (76mm) diameter flue outlet tube from collar of flue outlet on combustion chamber.
3. Mark or wrap tape completely around the tubes at the marked points to help in making a true cut. Do not crimp or enlarge tubes.

## Installing The Vent Assembly

1. Place caulking (not provided) beneath the edge of the outside wall plate. Use additional caulking to correct uneven wall surface, such as clapboard.
2. Attach 5" (127mm) diameter air inlet tube onto the collar of air drop assembly. Attach caulked, outside wall plate into the 5" (127mm) diameter air inlet tube. Position the outside wall plate so that 5" (127mm) diameter air inlet tube has a slight downward slope to the outside. The downward slope is necessary to prevent the entry of rainwater. Attach outside wall plate to exterior wall with (4) #10 x 1 1/2" (38mm) screws provided.
3. Apply furnace cement to 3" (76mm) diameter flue outlet collar on combustion chamber and to 3" (76mm) diameter collar on vent cap. Attach 3" (76mm) diameter flue outlet tube onto flue outlet collar on combustion chamber. Attach vent cap into the 3" (76mm) diameter flue outlet tube. Attach vent cap to outside wall plate with (3) #10 x 1/2" (13mm) screws provided.
4. Installation is completed.

## Reassembly And Resealing Vent-Air Intake System

When vent-air intake system is removed for servicing the furnace, the following steps will assure proper reassembly and resealing of the vent-air intake assembly.

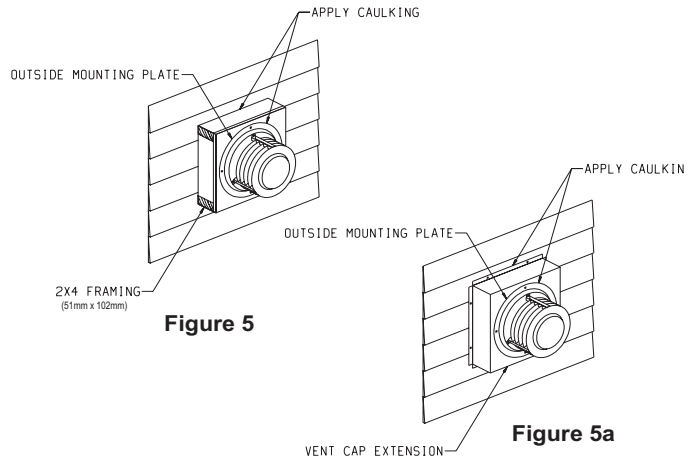
1. Remove old furnace cement from flue outlet collar on combustion chamber and collar of vent cap. Remove old furnace cement from both ends of 3" (76mm) diameter flue outlet tube.
2. Remove old caulking beneath the edge of the outside wall plate. Apply new caulking beneath the edge of the outside wall plate. Use additional caulking to correct uneven wall surface, such as clapboard.
3. Attach 5" (127mm) diameter air inlet tube onto the collar of air drop assembly. Attach caulked, outside wall plate into the 5" (127mm) diameter air inlet tube. Position the outside wall plate so that 5" (127mm) diameter air inlet tube has a slight downward slope to the outside. The downward slope is necessary to prevent the entry of rainwater. Attach outside wall plate to exterior wall with (4) #10 x 1" (25mm) screws provided.
4. Apply furnace cement to 3" (76mm) diameter flue outlet collar on combustion chamber and to 3" (76mm) diameter collar on vent cap. Attach 3" (76mm) diameter flue outlet tube onto flue outlet collar on combustion chamber. Attach vent cap into the 3" (76mm) diameter flue outlet tube. Attach vent cap to outside wall plate with (3) #10 x 1/2" (13mm) screws provided.

5. Reassembly and resealing vent-air intake system is completed.

## Installing a Vent Near a Window Ledge, Other Type of Projection or on Siding (vinyl, aluminum, etc.)

Direct vent furnaces are designed to be installed on a uniform outside wall. When the wind comes from any angle (up, down or from either side), it must hit the vent cap equally over both the air inlet and the flue outlet portions of the vent. Any wall projection, such as a door or window casing, which disturbs the wind on one side of the air inlet section will result in back pressure on the flue section smothering the flame and eventual pilot outage.

When the vent cap is to be installed on siding or it appears that a projection within 6" (152mm) of any side of the air inlet section could shield the air inlet section, the entire vent should be supported away from the wall at least the distance of the projection. 2" x 4" (51mm x 102mm) framing whose outside dimensions match the overall dimensions of the mounting plate is recommended. The 2" x 4" (51mm x 102mm) framing protects siding from possible warpage or discoloration. All joints can then be sealed and painted. The wall depth plus the additional depth of the 2" x 4" (51mm x 102mm) framing should not exceed a total depth of 13" (330mm) for DV-210/DV-215. **See Figure 5.**



Vinyl siding vent kit, DV-822, is available from Empire Comfort Systems, Inc. The depth is 3" (76mm), which enables the vent cap to be extended away from siding or projections. The wall depth plus the additional 3" (76mm) depth of the vinyl siding vent cap extension should not exceed a total depth of 13" (330mm) for DV-210/DV-215. **See Figure 5a.**

### **⚠ WARNING**

**When vinyl siding vent kit, DV-822 or 2" x 4" (51mm x 102mm) framing is added to an existing installation (furnace is installed) do not attempt to add sections of pipe to the flue outlet tube or air inlet tube. An air tight seal is required for both tubes. Refer to Parts List, page 14 to order tubes.**

# LIGHTING INSTRUCTIONS


## FOR YOUR SAFETY READ BEFORE LIGHTING

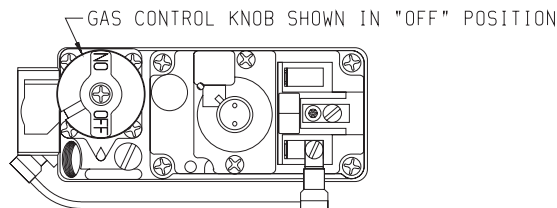
### ⚠ WARNING

If you do not follow these instructions exactly, a fire or explosion may result causing property damage, personal injury or loss of life.

- A. This appliance has a pilot which must be lighted by hand. When lighting the pilot, follow these instructions exactly.
- B. **BEFORE LIGHTING** smell all around the appliance area for gas. Be sure to smell next to the floor because some gas is heavier than air and will settle on the floor.  
**WHAT TO DO IF YOU SMELL GAS**
  - Do not try to light any appliance.
  - Do not touch any electrical switch; do not use any phone in your building.
  - Immediately call your gas supplier from a neighbor's phone. Follow the gas supplier's instructions.
  - If you cannot reach your gas supplier, call the fire department.
- C. Use only your hand to push in or turn the gas control knob. Never use tools. If the knob will not push in or turn by hand, don't try to repair it; call a qualified service technician. Force or attempted repair may result in a fire or explosion.
- D. Do not use this appliance if any part has been under water. Immediately call a qualified service technician to inspect the appliance and to replace any part of the control system and any gas control which has been under water.

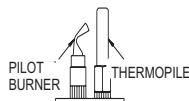
## LIGHTING INSTRUCTIONS



1. STOP! Read the safety information above.
2. Turn off all electric power to the appliance (if applicable).
3. Remove control access panel (front panel).
4. Push in gas control knob slightly and turn clockwise  to OFF.




NOTE: Knob cannot be turned from "PILOT" to "OFF" unless knob is pushed in slightly. Do not force.

5. Wait ten (10) minutes to clear out any gas. Then smell for gas, including near the floor. If you smell gas, STOP! Follow "B" in the safety information above. If you don't smell gas, go to the next step.
6. Remove the pilot access cover located on the combustion chamber.
7. Find pilot - follow metal tube from gas control. The pilot is behind the pilot access cover.



8. Turn knob on gas control counterclockwise  to "PILOT."
9. Push in control knob all the way and hold in. Immediately light the pilot with the Piezo Pilot Ignitor or a match. Continue to hold the control knob in for about one (1) minute after the pilot is lit. Release knob, and it will pop back up. Pilot should remain lit. If it goes out, repeat steps 5 through 10.
  - If knob does not pop up when released, stop and immediately call your service technician or gas supplier.
  - If the pilot will not stay lit after several tries, turn the gas control knob to "OFF" and call your service technician or gas supplier.
10. Replace pilot access cover.
11. Turn gas control knob counterclockwise  to "ON."
12. Replace control access panel (front panel).
13. Turn on all electric power to the appliance (if applicable).
14. CAUTION: Pilot access cover must be kept tightly closed during operation.

## TO TURN OFF GAS TO APPLIANCE

1. Turn off all electric power to appliance if service is to be performed (if applicable).
2. Remove control access panel (front panel).
3. Push in gas control knob slightly and turn clockwise  to "OFF." Do not force.
4. Replace control access panel (front panel).

# MAINTENANCE

These heaters are specially designed for use on self generating systems. They should never be used on line or low voltage A.C. circuits.

## Installing the ON/OFF Device

To install an ON/OFF device (such as a wall switch, remote, toggle switch, or thermostat), remove the wire nut from the two wires from the valve. Run additional wire from the valve wires to the ON/OFF device. Install the ON/OFF device in the same room as the furnace following the installation instructions supplied with it. In the absence of instructions, install the ON/OFF device 4 to 5 feet above the floor on an interior wall not affected by another heating source (i.e. stove or water heater) or the temperature of an adjoining room..

## System Check

A millivolt meter is required to check the system. The millivolt readings should be:

- Across the thermopile terminals, 400-450 millivolts with the heater OFF.
- Across the thermopile terminals, 150-250 millivolts with the heater ON.
- Across the wires at the valve, less than 30 millivolts with the heater ON.

## Steps in Removing Main Burner, Orifice and Valve

1. Disconnect the thermopile and pilot supply line at the pilot burner.
2. Remove the burner compartment cover 5/16" (8mm) socket suggested.
3. Remove screw holding left side of burner and lift out.
4. Main burner orifice is now accessible. Use 1/2" (13mm) box end wrench to remove and apply non-hardening pipe dope sparingly to orifice threads when replaced.
5. To remove the entire gas valve the nut holding the orifice fitting to the chamber must be removed and the gas supply to the valve disconnected. After this, the valve and orifice elbow can be removed as a unit.

## Cleaning The Pilot Burner

Proper operation depends on a good pilot flame. The flame must cover the top of the thermopile. Cleaning of the pilot may be an annual necessity due to spiders. After removing the supply tubing and orifice, use a pipe cleaner or wire to clean the entire internal part of the pilot.

## Cleaning the Combustion Chamber and Main Burner

When the main burner and vent cap are removed, all internal areas of the combustion chamber are accessible for cleaning with a vacuum hose. The main burner may be cleaned by forcing water into the ports and the throat of the burner. The burner should be blown dry or heated to dry all water out before reinstalling.

## Piezo Pilot Ignitor Instructions

Depressing the piezo ignitor button completely causes a spark to occur at the pilot. This is a substitute for a match which requires opening the pilot hole cover.

To light the pilot, it is important that the electrode be 1/8" (3 mm) from the thermopile. The spark must occur at the point the burner flame hits the thermopile. The end of the electrode will be red hot with the pilot on.

On a new installation with air in the gas line, it is suggested that a match be used. The match will light the pilot faster than the piezo under this condition.

**To Conserve Gas: Turn off pilot when heater is not in use.**

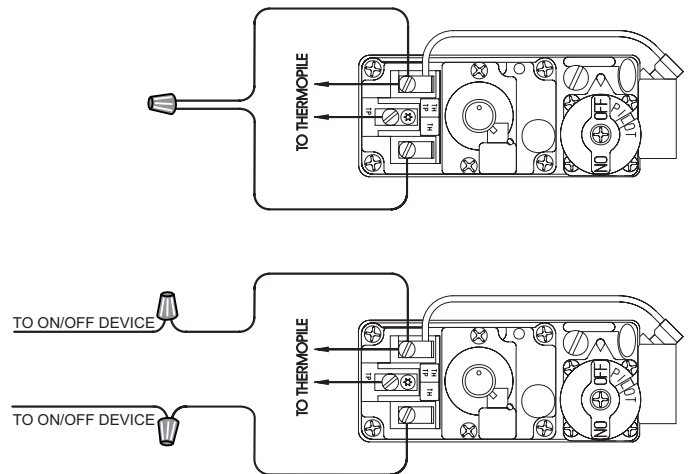


Figure 6

# PILOT FLAME CHARACTERISTICS

The pilot flame is blue and goes toward the main burner and thermopile horizontally. A slight yellow tip on the flame is normal. The pilot flame must surround and extend approximately 1/4" (6mm) beyond the thermopile, and must extend beyond the first row toward the second row of main burner ports.

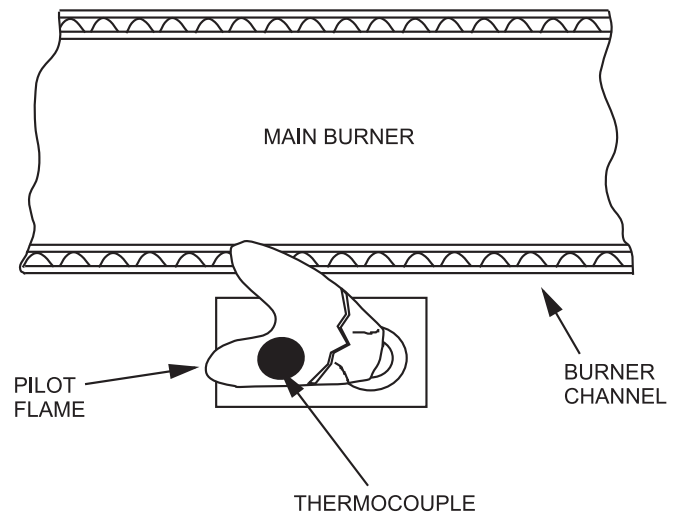


Figure 7

# MAIN BURNER FLAME CHARACTERISTICS

On the main burner, the burning gas forms a primary flame and a secondary flame. The primary flame is blue and about 3/16" (5mm) high. The secondary flame is very pale blue, 3 inches (76mm) to 5 inches (127mm) high. Dust in the combustion air will produce an orange flame. Do not mistake it for an improper yellow flame.

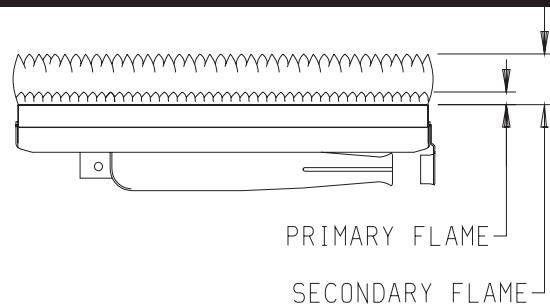


Figure 8

# TROUBLESHOOTING

- Lit match goes out as it enters lighter port.
  - Certain wind conditions will blow out match. Ignite match, and as it flares, thrust match through opening.
  - Open nearby door or window and relight pilot.
- Pilot flames but goes out when knob is released.
  - See Lighting Instructions. Relight Pilot.
  - Relight the pilot and hold knob down longer and harder. Close lighter hole cover just after igniting. Check for a good pilot flame.
  - Defective thermopile or defective magnet in safety section of valve. Replace.
- Yellow pilot flame.
  - Obstruction at pilot orifice.
  - Clean and properly size orifice.
- Pilot and main burner go out during normal operation.
  - Check millivolts.
  - Check for proper size of pilot flame.
  - Check for defective or weak thermopile.
  - Check input, reduce as needed.
  - Cover on pilot lighter hole must be air tight.
  - Check for tight fit of air and flue tubes at both ends of vent assembly. No obstruction around vent that would prevent the wind from hitting all of the vent equally.
- Yellow main burner flame soot on the vent cap.
  - Remove main burner to check for obstructions in throat, ports and orifices.
  - Install new main burner orifice and pilot orifice. Refer to Parts List on Page 14.

# PARTS LIST

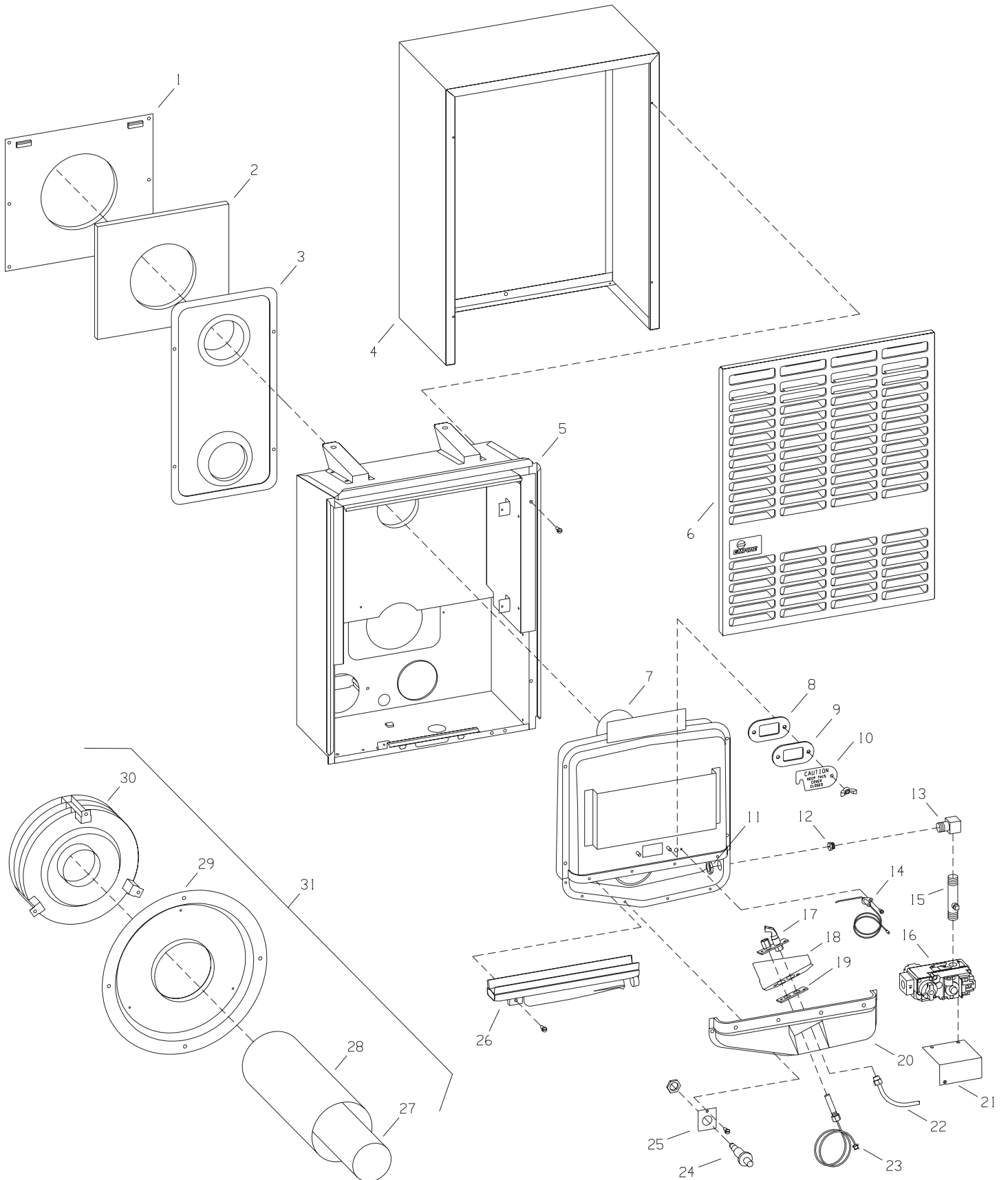
Index No.	Part No.	Description
1	TH100	WALL MOUNTING PLATE
2	TH104	GASKET - FOR WALL MOUNTING PLATE
3	TH015	AIR DROP ASSEMBLY - DV210
3	TH018	AIR DROP ASSEMBLY - DV215
4	11757	OUTER CASING - DV210
4	11758	OUTER CASING - DV215
5	TH142	INNER CASING - DV210
5	TH143	INNER CASING - DV215
6	TH008	FRONT PANEL - DV210
6	TH009	FRONT PANEL - DV215
7	TH024	COMBUSTION CHAMBER - DV210
7	TH027	COMBUSTION CHAMBER - DV215
8	M155	GASKET - OBSERVATION HOLE COVER
9	DV781	OBSERVATION HOLE COVER
10	DV064	COVER PLATE - OBSERVATION HOLE
11	R206	NUT FOR ORIFICE FITTING
12	P8654	BURNER ORIFICE - DV210 NATURAL
12	P8650	BURNER ORIFICE - DV215 NATURAL
12	P8665	BURNER ORIFICE - DV210 PROPANE
12	P8658	BURNER ORIFICE - DV215 PROPANE
13	P104	ORIFICE FITTING
14	R1055	ELECTRODE AND WIRE
15	P103	MANIFOLD
16	R5598	GAS VALVE 7000 MVRLC - NATURAL
16	R5599	GAS VALVE 7000 MVRLC - PROPANE
17	R2890	PILOT BURNER W/ORIFICE - PROPANE
17	R2893	PILOT BURNER WITH ORIFICE - NATURAL
18	TH335	PILOT SHIELD

Index No.	Part No.	Description
19	M151	GASKET - PILOT BURNER
20	TH133	CHAMBER DOOR WITH GASKET - DV210
20	TH134	CHAMBER DOOR WITH GASKET - DV215
21	TH365	VALVE BRACKET
22	TH336	PILOT TUBING - 1/4" (6.4mm) WITH FERRELLS (NATURAL)
22	TH367	PILOT TUBING - 1/4" (6.4mm) WITH FERRELLS PROPANE
23	R1054	THERMOPILE - GENERATOR
24	R2708	PIEZO IGNITOR
25	TH289	IGNITOR BRACKET
26	TH275	BURNER - DV210
26	24644	BURNER - DV215
27	TH109	3" (76mm) DIA. FLUE OUTLET TUBE
28	TH107	5" (127mm) DIA AIR INLET TUBE
29	TH331	OUTSIDE MOUNTING PLATE
30	TH334	VENT CAP
31	TH123	VENT KIT COMPLETE
N/S	R1081	ORIFICE FOR PILOT - NATURAL
N/S	R1089	ORIFICE FOR PILOT - PROPANE
N/S	TH300	GASKET FOR CHAMBER DOOR - DV210
N/S	TH281	GASKET FOR CHAMBER DOOR - DV215
N/S	TH351	HARDWARE PACKAGE

N/S - NOT SHOWN

USE ONLY MANUFACTURER'S REPLACEMENT PARTS. USE OF ANY OTHER PARTS COULD CAUSE INJURY OR DEATH.

# PARTS VIEW



# OPTIONAL BLOWER INSTALLATION INSTRUCTIONS

## DVB-1 For Direct Vent Wall Furnaces DV210 and DV215

**INSTALLING OPTIONAL BLOWER DVB-1.** The blower must be positioned as shown in Figure 1. Relocate gas line, if necessary, using elbow fitting at the gas valve, and move Piezo Spark Generator to the next screw. A slot on the bottom of the blower package engages a tab on the bottom of the inner casing and is secured by one screw in front.

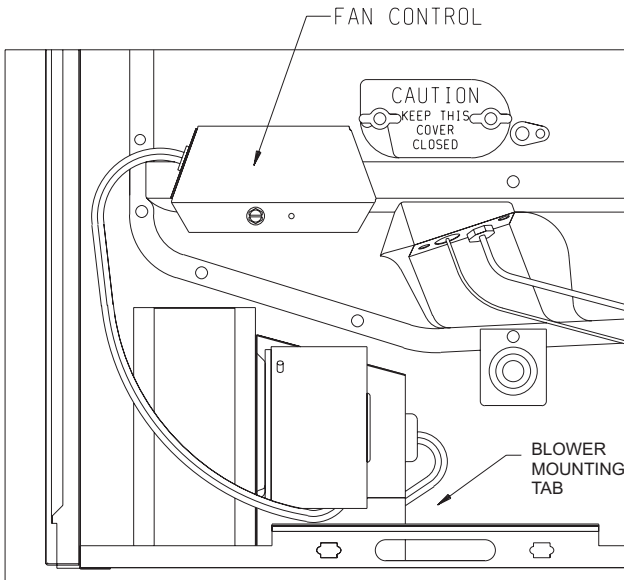


Figure 1

### Attaching Switch Box

1. Facing combustion chamber, remove (2) top, left screws on the combustion chamber door.
2. Align (2) clearance holes on the switch box (with fan control) over (2) clearance holes on the combustion chamber door.
3. Insert and attach (2) screws removed in Step 1 into switch box and combustion chamber door.
4. Attach switch box cover to switch box with (1) No. 8 x 1/4" screw.

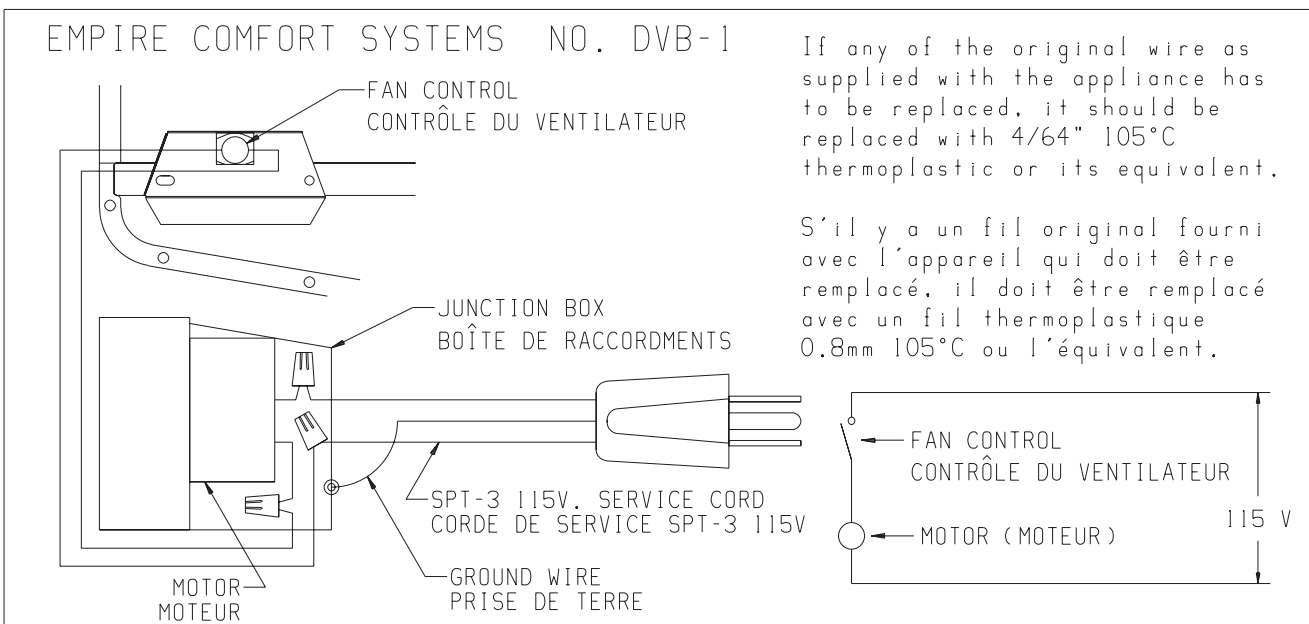
### Wiring

The appliance, when installed, must be electrically grounded in accordance with local codes or, in the absence of local codes, with the National Electrical Code, ANSI/NFPA 70 or Canadian Electrical Code, CSA C22.1, if an external electrical source is utilized. This appliance is equipped with a three-prong [grounding] plug for your protection against shock hazard and should be plugged directly into a properly grounded three-prong receptacle. Do not cut or remove the grounding prong from this plug. For an ungrounded receptacle, an adapter, which has two prongs and a wire for grounding, can be purchased, plugged into the ungrounded receptacle and its wire connected to the receptacle mounting screw. With this wire completing the ground, the appliance cord plug can be plugged into the adapter and be electrically grounded. A 7/8" (22mm) hole is provided in the junction box for use with a conduit connector if local codes require this type of protection.

### CAUTION

**Label all wires prior to disconnection when servicing controls. Wiring errors can cause improper and dangerous operation. Verify proper operation after servicing.**

**NOTICE:** Unplugging of blower accessory will not stop the heater from cycling. To shut heater off, turn knob on gas control to off, depressing slightly. Do not force.





# OPTIONAL BLOWER INSTALLATION INSTRUCTIONS

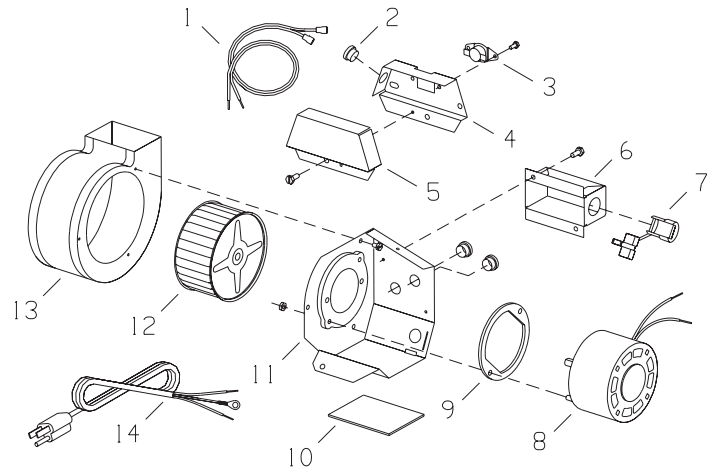
## DVB-1 For Direct Vent Wall Furnaces DV210 and DV215

### Oiling the Motor

Oiling holes are provided on each end of the motor for oiling. The blower should have five drops of #20 motor oil every 6 months. Do not use machine oil.

### Cleaning the Blower Wheel

In some areas, such as near bedrooms and on floors with a hard surface, the blower wheel will be filled with lint very quickly. A visual check of the blower wheel should be made after 30 days use. The blower will run faster with a dirty wheel, but move less air. Remove the entire blower and clean each blade of the wheel with a tooth brush as often as necessary.



Index No.	Part No.	Description
1	R-1268	Wire Assembly
2	R-896	Bushing (Three Required)
3	R-1156	Fan Control
4	DV-806	Switch Box
5	DV-807	Switch Box Cover
6	TH-111	Junction Box
7	R-1410	Bushing (Strain Relief)
8	R-285	Motor
9	R-587	Motor Cushion
10	TH-341	Blower Cushion
11	TH-356	Motor Support Assembly
12	R-319	Blower Wheel
13	TH-135	Blower Housing Assembly
14	R-315	Cord Set

# MASTER PARTS DISTRIBUTOR LIST

To Order Parts Under Warranty, please contact your local Empire dealer. See the dealer locator at [www.empirecomfort.com](http://www.empirecomfort.com). To provide warranty service, your dealer will need your name and address, purchase date and serial number, and the nature of the problem with the unit.

To Order Parts After the Warranty Period, please contact your dealer or one of the Master Parts Distributors listed below. This list changes from time to time. For the current list, please click on the Master Parts button at [www.empirecomfort.com](http://www.empirecomfort.com). Please note: Master Parts Distributors are independent businesses that stock the most commonly ordered Original Equipment repair parts for Heaters, Grills, and Fireplaces manufactured by Empire Comfort Systems Inc.

## Dey Distributing

1401 Willow Lake Boulevard  
Vadnais Heights, MN 55101

**Phone:** 651-490-9191

**Toll Free:** 800-397-1339

**Website:** [www.deydistributing.com](http://www.deydistributing.com)

**Parts:** Heater, Hearth and Grills

## F. W. Webb Company

200 Locust Street  
Hartford, CT 06114

**Phone:** 860-722-2433

**Toll Free:** 800-243-9360

**Fax:** 860-293-0479

**Toll Free Fax:** 800-274-2004

**Websites:** [www.fwwebb.com](http://www.fwwebb.com) & [www.victormfg.com](http://www.victormfg.com)

**Parts:** Heater, Hearth and Grills

## East Coast Energy Products

10 East Route 36  
West Long Branch, NJ 07764

**Phone:** 732-870-8809

**Toll Free:** 800-755-8809

**Fax:** 732-870-8811

**Website:** [www.eastcoastenergy.com](http://www.eastcoastenergy.com)

**Parts:** Heater, Hearth and Grills

# HOW TO ORDER REPAIR PARTS

## Parts Not Under Warranty

Parts can be ordered through your Service Person, Dealer, or a Master Parts Distributor. See this page for the Master Parts Distributors list. For best results, the **service person or dealer** should order parts through the distributor. Parts can be shipped directly to the **service person/dealer**.

## Warranty Parts

Warranty parts will need a proof of purchase and can be ordered by your Service Person or Dealer. Proof of purchase is **required** for warranty parts.

All parts listed in the Parts List have a Part Number. When ordering parts, first obtain the Model Number and Serial Number from the name plate on your equipment. Then determine the Part Number (**not** the Index Number) and the Description of each part from the following illustration and part list. Be sure to give all this information . . .

Appliance Model Number \_\_\_\_\_ Part Description \_\_\_\_\_

Appliance Serial Number \_\_\_\_\_ Part Number \_\_\_\_\_

Type of Gas (Propane or Natural) \_\_\_\_\_

Do not order bolts, screws, washers or nuts. They are standard hardware items and can be purchased at any local hardware store.

Shipments contingent upon strikes, fires and all causes beyond our control.

# WARRANTY

Empire Comfort Systems Inc. warrants this space heating product to be free from defects at the time of purchase and for the periods specified below. Space heating products must be installed by a qualified technician and must be maintained and operated safely, in accordance with the instructions in the owner's manual. This warranty applies to the original purchaser only and is not transferable. All warranty repairs must be accomplished by a qualified gas appliance technician.

## **Limited Ten-Year Parts Warranty – Combustion Chamber**

Empire promises to the owner that if the combustion chamber (see parts list) fails because of defective workmanship or material with ten years from the date of purchase, Empire will repair or replace at Empire's option.

## **Limited One-Year Parts Warranty – Remote Controls, Accessories, and Parts**

Should any remote control, accessory, or other part fail because of defective workmanship within one year from the date of purchase, Empire will repair or replace at Empire's option.

## **Duties Of The Owner**

The appliance must be installed by a qualified installer and operated in accordance with the instructions furnished with the appliance. A bill of sale, cancelled check, or payment record should be kept to verify purchase date and establish warranty period. Ready access to the appliance for service.

## **What Is Not Covered**

Damages that might result from the use, misuse, or improper installation of this appliance.  
Travel, diagnostic costs and freight charges on warranted parts to and from the factory.  
Claims that do not involve defective workmanship or materials.  
Unauthorized service or parts replacements.  
Removal and reinstallation cost.  
Inoperable due to improper or lack of maintenance.

## **How To Get Service**

To make a claim under this warranty, please have your receipt available and contact your installing dealer. Provide the dealer with the model number, serial number, type of gas, and purchase verification. The installing dealer is responsible for providing service and will contact the factory to initiate any warranted parts replacements. Empire will make replacement parts available at the factory. Shipping expenses are not covered.

If, after contacting your Empire dealer, service received has not been satisfactory, contact: Consumer Relations Department, Empire Comfort Systems Inc., PO Box 529, Belleville, Illinois 62222, or send an e-mail to [info@empirecomfort.com](mailto:info@empirecomfort.com) with "Consumer Relations" in the subject line.

## **Your Rights Under State Law**

This warranty gives your specific legal rights, and you may also have other rights, which vary from state to state.



**Empire Comfort Systems Inc.  
Belleville, IL**

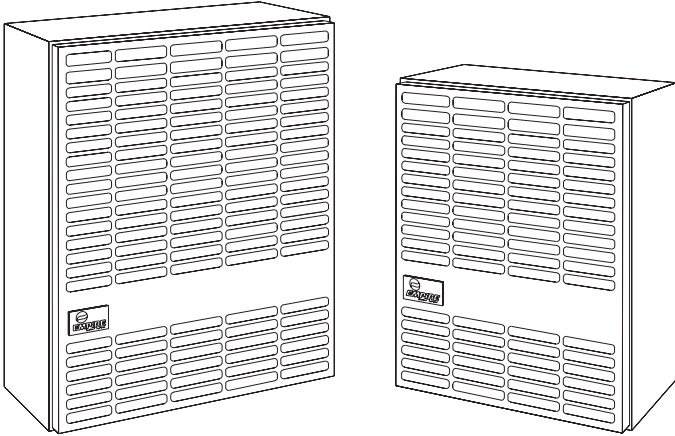
If you have a general question  
about our products, please e-mail  
us at [info@empirecomfort.com](mailto:info@empirecomfort.com).

If you have a service or repair  
question, please contact your dealer.

SINCE 1932

**[www.empirecomfort.com](http://www.empirecomfort.com)**

# INSTRUCTIONS POUR L'INSTALLATION ET MANUEL DU PROPRIÉTAIRE



## INSTALLATEUR :

Laissez cette notice avec l'appareil.

## CONSOMMATEUR :

Conservez cette notice pour consultation ultérieure.

### ⚠ AVERTISSEMENT

#### RISQUE D'INCENDIE OU D'EXPLOSION

Si les informations contenues dans ces instructions ne sont pas suivies à la lettre, un incendie ou une explosion pourrait en résulter, causant des dommages matériels, des blessures corporelles ou la mort.

- Ne pas entreposer ni utiliser d'essence ou autres vapeurs et liquides inflammables au voisinage de cet appareil ou d'autres.
- **QUE FAIRE EN CAS D'ODEUR DE GAZ**
  - Ne pas tenter d'allumer un appareil, quel qu'il soit.
  - Ne toucher aucun interrupteur électrique; ne pas utiliser de téléphone dans le bâtiment.
  - Quitter le bâtiment immédiatement.
  - Téléphoner immédiatement au fournisseur de gaz depuis une maison voisine. Suivre les instructions du fournisseur de gaz.
  - S'il est impossible de joindre le fournisseur de gaz, appeler le service d'incendie.
- L'installation et l'entretien doivent être exécutés par un installateur qualifié, une agence de service ou par le fournisseur de gaz.

## RADIATEUR MURAL À ÉVACUATION DIRECTE PAR GRAVITÉ

### MODÈLES

DV210SGXLP-1

DV210SGXNAT-1

DV215SGXLP-1

DV215SGXNAT-1



### ⚠ AVERTISSEMENT

S'il n'est pas installé, utilisé et entretenu selon les instructions du fabricant, ce produit pourrait vous exposer à des substances provenant de carburant ou de sa combustion qui pourrait entraîner la mort ou des maladies graves.

Cet appareil doit être installé dans une maison préfabriquée (E. U. seulement) ou mobile déjà installée à demeure si les règlements locaux le permettent.

Cet appareil doit être utilisé uniquement avec le type de gaz indiqué sur la plaque signalétique. Cet appareil ne doit pas être utilisé avec d'autres gaz sauf si une trousse de conversion certifiée est fournie.

# TABLE DES MATIÈRES

SECTION	PAGE
Importante Information de Sécurité .....	3
Information de Sécurité pour les Utilisateurs de Propane .....	4
Introduction .....	5-6
Spécifications.....	6
Le Provision de Gaz .....	8
Espaces Libres .....	9
Instructions pour L'Installations .....	9-10
Instructions d'Allumage.....	11
Maintenance .....	12
Aspect Convenable de la Flamme de la Veilleuse.....	13
Aspect Convenable de la Flamme du Brûleur Principal .....	13
Détection des Défectuosités .....	14
Façon de Commander les Pièces de Réparation.....	15
Listes des Pièces .....	15
Vue des Pièces .....	16
Instructions Pour L'installation de la Soufflerie Facultative .....	17
Maintenance Historique du Foyer .....	18
Garantie .....	19

# IMPORTANTE INFORMATION DE SÉCURITÉ

## CECI EST UN APPAREIL DE CHAUFFAGE

NE PAS FAIRE FONCTIONNER CET APPAREIL SANS QUE LA PAROI FRONTALE SOIT INSTALLÉE.

- A cause des hautes températures, cet appareil doit être situé dans un endroit non achalandé et loin des meubles et des rideaux.
- Les enfants et les adultes doivent être avisés des dangers des parois très chaudes et doivent rester loin pour éviter les brûlures ou l'allumage des vêtements.
- Les petits enfants doivent être surveillés étroitement lorsqu'ils sont dans le même appartement que l'appareil.
- Les vêtements ou d'autres matériaux inflammables ne doivent pas être placés sur ou près de l'appareil.
- Tout écran de sûreté qui est enlevé lors de la réparation d'un appareil, doit être replacé avant de remettre en marche cet appareil.
- Garder propre le brûleur et le compartiment de contrôle.
- Le capuchon de l'évent est chaud lorsque le radiateur est en fonction.
- L'installation et la réparation doit être faite par une **PERSONNE QUALIFIÉE**. L'appareil doit être inspecté avant l'usage et au moins une fois par année, par une personne qualifiée. S'il y a un excès de poussière venant du tapis, de la literie, etc..., de fréquents nettoyages seront requis. Il est impératif que les compartiments de commandes, les brûleurs et les passages de circulation d'air de l'appareil soient gardés propres.
- **NE RIEN** mettre autour du radiateur qui pourrait obstruer le débit de combustion et la ventilation d'air.
- Les matériaux combustibles, la gazoline ou les vapeurs et liquides inflammables ne doivent jamais être dans le même endroit que le radiateur.
- Examiner périodiquement le système de ventilation et remplacer les pièces défectueuses.
- Faire périodiquement une inspection visuelle de la veilleuse et du brûleur. Nettoyer et remplacer les pièces défectueuses.
- **AVERTISSEMENT:** Le couvercle pour l'accès à la veilleuse doit toujours être gardé hermétiquement fermé lors du fonctionnement.
- Ne pas utiliser ce radiateur s'il y a une pièce qui a été en contact avec l'eau. Appeler immédiatement un technicien qualifié pour inspecter le radiateur et remplacer toute pièce du système de commande et les commandes de gaz qui ont été en contact avec l'eau.

# INFORMATION DE SÉCURITÉ POUR LES UTILISATEURS DE PROPANE

Le Propane est un gaz inflammable qui peut causer des feux et des explosions. Dans son état naturel, le propane est inodore et sans couleur. Peut-être que vous ne connaissez pas toutes les précautions décrites ci-dessous? Elles peuvent vous protéger ainsi que votre famille contre un accident. Lisez-les attentivement dès maintenant, puis

réexaminez les, point par point avec les membres de votre famille. Un jour, lorsqu'il n'y aura pas une minute à perdre, la sécurité de chacun dépendra de votre savoir-faire. Si après avoir lu les informations suivantes, vous pensez avoir besoin de plus amples informations, s'il vous plaît contactez votre fournisseur de gaz.

## AVERTISSEMENT À PROPOS DE L'ODEUR DU PROPANE

**Si une fuite de gaz survient, vous devriez sentir le gaz parce qu'il y a une odeur incorporée au Propane. C'est le signal que vous devez agir immédiatement.**

- N'utiliser pas les interrupteurs électriques, n'allumer pas des allumettes ou n'utiliser pas le téléphone. Ne rien faire qui pourrait enflammer le gaz.
- Évacuer tout le monde du bâtiment, des véhicules et des lieux. Faire ceci IMMÉDIATEMENT.
- Fermer toutes les soupapes d'approvisionnement des réservoirs et des bouteilles de gaz.
- Le propane est plus pesant que l'air et peut s'accumuler dans des endroits bas comme les soubassements. Lorsque vous avez des raisons de suspecter une fuite de gaz, n'allez pas dans les soubassements ou les endroits bas. Attendez que les pompiers vous assurent de la sûreté de ces endroits avant d'y aller.
- Utiliser le téléphone de votre voisin et appeler les pompiers et une personne entraînée avec le propane.
- Ne pas ouvrir les soupapes d'approvisionnement de gaz même si vous ne le sentez plus. Ne retourner pas dans le bâtiment, sur les véhicules ou sur les lieux.
- **Finalemment**, laisser la personne qualifiée et les pompiers vérifier les fuites de gaz. Laisser-les aérer les lieux avant d'y retourner. Les personnes entraînées avec le propane devront réparer la fuite, vérifier et réallumer l'appareil au gaz, pour vous.

## AUCUNE ODEUR DÉCELÉE - FAIBLE ODEUR

Il y a des personnes qui ne peuvent pas sentir très bien. Il y a des personnes qui ne peuvent pas sentir l'odeur chimique mis dans le gaz. Vous devez vérifier si vous pouvez sentir cette odeur. Fumer peut décroître votre capacité de sentir. Sentir une odeur pour un certain temps, peut affecter votre sensibilité ou votre capacité de déceler cette odeur. Quelquefois d'autres odeurs, dans le même endroit, peuvent masquer l'odeur du gaz. Il y a des personnes qui ne peuvent pas sentir l'odeur du gaz ou que leur attention est sur quelque chose d'autre. Penser à sentir l'odeur du gaz peut faciliter la capacité de sentir.

L'odeur dans le propane est sans couleur et peut s'affaiblir selon certaines circonstances. Par exemple, s'il y a une fuite souterraine, le mouvement du gaz à travers le sol peut filtrer l'odeur. Aussi, l'odeur dans le propane peut être exposée à l'oxydation. Cet affaiblissement peut survenir s'il y a de la

rouille à l'intérieur des réservoirs ou dans les tuyaux de fer pour le gaz.

L'odeur de la fuite de gaz peut être adsorbée ou absorbée sur ou dans les murs, maçonnerie et d'autres matériaux et tissus dans une chambre. Ceci enlève une quantité de l'odeur du gaz, affaiblissant l'intensité de la senteur.

Le propane peut stratifier dans un endroit fermé et l'intensité de l'odeur peut varier à différents niveaux. Puisque le propane est plus pesant que l'air, l'odeur peut être plus prononcée à un bas niveau. Toujours être sensible à la moindre odeur de gaz. Si vous décelez une odeur, réagissez comme si vous aviez une sérieuse fuite. Passez à l'action immédiatement en suivant les informations précédentes.

## QUELQUES POINTS À RETENIR

- **Apprendre à reconnaître l'odeur du propane. Votre distributeur de propane peut vous donner un échantillon que vous grattez et sentez. Utilisez-le pour savoir reconnaître l'odeur du propane.** Si vous pensez que votre gaz Propane a une faible ou anormale odeur, appelez votre distributeur.
- Si vous n'êtes pas qualifié, n'allumer pas la veilleuse, n'effectuer pas l'entretien ou n'ajuster pas les appareils fonctionnant au propane. Si vous êtes qualifié, soyez conscient de l'odeur du propane avant et pendant que vous allumez la veilleuse, effectuez l'entretien ou faites les ajustements.
- Quelquefois un soubassement ou une maison fermée a une senteur de moisi qui peut dissimuler l'odeur de propane. N'essayez pas d'allumer des veilleuses, d'effectuer l'entretien ou de faire des ajustements dans des endroits où les conditions sont de telle sorte que vous ne pouvez pas déceler l'odeur du propane en cas de fuite.
- L'affaiblissement d'odeur, attribuable à l'oxydation par la rouille ou l'adsorption sur les parois des nouveaux réservoirs et bouteilles, est possible. Par conséquent, les personnes doivent être particulièrement prudentes lorsque de nouveaux réservoirs ou bouteilles sont mis en service. L'affaiblissement d'odeur peut se produire dans les nouveaux réservoirs ou dans les vieux réservoirs qui sont réinstallés, s'ils sont remplis et inutilisés pour une longue période de temps. La formation de rouille à l'intérieur des bouteilles et des réservoirs qui ne sont pas utilisés pour une longue période de temps, peut provoquer un affaiblissement de l'odeur. Si vous pensez que de telles conditions existent, un test de senteur de gaz est recommandé périodiquement. Si vous avez des questions à propos de l'odeur du gaz, appelez votre distributeur de propane. En toute circonstance, un test de senteur périodique du gaz Propane est une mesure de prudence.
- Si en aucun temps vous ne sentez pas l'odeur du propane et que vous devriez, assumez que vous avez une fuite. Agissez immédiatement selon les recommandations ci-dessus, décrivant les actions à suivre en cas de déclèment de gaz Propane.
- Si vous découvrez que le réservoir est complètement vide de gaz (le réservoir n'a aucune pression de vapeur), fermez la soupape du réservoir immédiatement. Si la soupape du réservoir reste ouverte, le réservoir peut aspirer de l'air par les ouvertures, par exemple les orifices de la veilleuse. Si ceci survient, l'intérieur peut subir une additionnelle formation de rouille. Si la soupape est restée ouverte, considérez le contenant comme étant un nouveau réservoir. Soyez toujours certain que le réservoir est sous pression de vapeur; fermez la soupape du réservoir avant qu'il ne soit complètement vide et faites le remplir.



# INTRODUCTION

## Introduction

Toujours consulter le département de construction de votre région en ce qui regarde les règlements, les codes ou les ordonnances qui s'appliquent à l'installation d'un radiateur mural avec un évent direct.

Instructions pour l'installateur

1. Après l'installation, l'installateur doit laisser le manuel d'instructions au propriétaire.
2. L'installateur doit demander au propriétaire de compléter et poster la carte de garantie de l'unité de chauffage.
3. L'installateur doit expliquer au propriétaire la mise en marche et le fonctionnement du radiateur.

### **▲ AVERTISSEMENT**

Tout changement fait à ce radiateur ou à ces commandes peut être dangereux. Ceci est un appareil de chauffage et si un panneau, une porte ou un dispositif protecteur est enlevé pour l'entretien de cet appareil, il doit être remplacé avant de remettre en marche.

## Informations Générales

Ce radiateur est un modèle conformément certifié avec l'American National Standard/CSA Standard Z21.86 et CSA 2.32 par Canadian Standards Association comme étant un radiateur mural à évacuation directe par gravité, devant être installé sur un mur extérieur en accordance avec ces instructions.

Tout changement du modèle d'origine, installé autrement que décrit dans ces instructions ou fonctionnant avec un genre de gaz qui n'est pas indiqué sur la plaque d'identification, est la responsabilité de la personne et de la compagnie faisant ce changement.

## IMPORTANT

Toute la correspondance doit mentionner le numéro complet du modèle et de la série et le genre de gaz.

AVIS: Pendant le premier allumage de cette unité, la peinture cuira et de la fumée se produira. Pour prévenir les détecteurs de fumée de se déclencher, bien ventiler l'appartement dans lequel l'unité est installée.

Installation dans les Garages Résidentiels

Tous les équipements dans les garages résidentiels employant du gaz, doivent être installés de façon à ce que les brûleurs et les appareils pour allumer les brûleurs doivent être situés à au moins 18"

(45.7cm) au dessus du plancher.

Tous ces équipements doivent être situés ou protégés de façon à ce qu'un véhicule en se déplaçant ne puisse les endommager.

## Agence d'Installation Qualifiée

L'installation et le remplacement des tuyaux à gaz, des équipements ou accessoires, la réparation et l'entretien de l'équipement doivent être faits seulement par une agence qualifiée. Le terme "agence qualifiée" signifie tout individu, firme, corporation ou compagnie qui est, en personne ou par un représentant, engagé et responsable de: (a) l'installation ou le remplacement des tuyaux à gaz, ou (b) la connexion, l'installation, la réparation ou l'entretien de l'équipement, qui possède l'expérience nécessaire en ce genre de travail, est familier avec les précautions requises et s'est conformé à toutes les exigences de l'autorité ayant juridiction.

L'installation doit être conforme aux codes locaux. Dans l'absence de codes locaux, l'installation doit se conformer avec *National Fuel Gas Code, ANSI Z223.1/NFPA 54\* Natural Gas and Propane Installation Code, CSA I-B149.1.*

*\* Disponible chez American National Standards Institute, Inc., 11 West 42nd St., New York, N.Y. 10036.*

## Hautes Altitudes

Pour des altitudes/élevations au dessus de 2,000' (610m), les pressions d'entrée devront être réduites de 4% pour chaque 1,000' (305m) au dessus du niveau de la mer. Hautes Altitudes au Canada pour les endroits ayant une élévation au dessus du niveau de la mer entre 2,000' (610m) et 4,500' (1370m), la pression de gaz doit être diminuée de 4.0" w.c. (.996kPa) à 3.2" w.c. (.79kPa) pour le gaz naturel et de 10.0" w.c. (2.49kPa) à 8.0" w.c. (1.99 kPa) pour le gaz Propane.

Installation sur un Tapis ou Tuiles

Si cet appareil est installé directement sur un tapis, tuile ou tout genre de matériel combustible autre qu'un plancher de bois, cet appareil doit être installé sur un panneau de métal ou de bois, celui-ci ayant la largeur et la profondeur de l'appareil.

La base que nous décrivons ci-dessus ne signifie pas le genre de base contre le feu comme il est utilisé pour les poêles à bois. La protection est pour les tapis extrêmement épais et les tuiles de couleur pâle qui pourraient se décolorer.

# INTRODUCTION (SUITE)

Lorsqu'un radiateur de catégorie 1 existant est retiré ou remplacé, le système de ventilation d'origine peut ne plus être dimensionné pour ventiler correctement les appareils raccordés. Les instructions doivent

également indiquer les effets d'un système de ventilation de taille inadéquate (formation de condensat, fuite, déversement, etc.) et doivent spécifier la procédure d'essai suivante:

## **▲ AVERTISSEMENT**

### **DANGER D'EMPOISONNEMENT AU MONOXYDE DE CARBONE**

Le fait de ne pas suivre les étapes décrites ci-dessous pour chaque appareil raccordé au système d'évacuation mis en service pourrait entraîner un empoisonnement au monoxyde de carbone ou la mort.

Les étapes suivantes doivent être suivies pour chaque appareil raccordé au système de ventilation mis en service, alors que tous les autres appareils raccordés au système de ventilation ne fonctionnent pas:

1. Sceller toutes les ouvertures inutilisées dans le système d'évacuation.
2. Inspectez le système d'évacuation pour la taille et le pas horizontaux appropriés, tel que requis dans le Code national du gaz combustible, ANSI Z223.1 / NFPA 54 ou le Code d'installation du gaz naturel et du propane, CSA B149.1 et ces instructions. Déterminer qu'il n'y a pas de blocage ou de restriction, de fuite, de corrosion ou d'autres déficiences qui pourraient causer une condition dangereuse.
3. Dans la mesure du possible, fermez toutes les portes et fenêtres du bâtiment et toutes les portes entre l'espace dans lequel se trouvent les appareils raccordés au système de ventilation et les autres espaces du bâtiment.
4. Fermez les registres du foyer.
5. Allumez les sèche-linge et tout appareil non raccordé au système de ventilation. Allumez tous les ventilateurs d'extraction, tels que les hottes de cuisine et les échappements de la salle de bain, afin qu'ils fonctionnent à la vitesse maximale. Faire fonctionner un ventilateur d'extraction d'été.
6. Suivez les instructions d'allumage. Placez l'appareil en cours d'inspection. Ajustez le thermostat pour que l'appareil fonctionne continuellement.
7. Tester le déversement des appareils équipés d'un coupe-tirage au niveau de l'ouverture de dégagement de la hotte après 5 minutes de fonctionnement du brûleur principal. Utilisez la flamme d'une allumette ou d'une bougie.
8. Si une ventilation inadéquate est observée pendant l'un des essais ci-dessus, le système d'évacuation doit être corrigé conformément au Code national du gaz combustible, ANSI Z223.1 / NFPA 54 et / ou au Code d'installation du gaz naturel et du propane, CSA B149.1.
9. Après qu'il a été déterminé que chaque appareil raccordé au système d'évacuation se déclenche correctement lorsqu'il est testé comme indiqué ci-dessus, retournez les portes, les fenêtres, les ventilateurs d'extraction, les registres de cheminée et tout autre appareil à gaz à leurs conditions d'utilisation

# SPÉCIFICATIONS

Spécifications		
Modèle	DV-210	DV-215
Puissance BTU/HR (KW/H)	10,000 (2.9)	15,000 (4.4)
Hauteur	21 3/8" (543mm)	24 7/8" (632mm)
Largeur	16 1/4" (413mm)	20 1/4" (514mm)
Profondeur	9 3/8" (239mm)	9 3/8" (239mm)
Arrivée de gaz (tuyau)	1/2" (13mm)	1/2" (13mm)
Accessoires Pour Le Radiateur		
l'Assemblage de la soufflerie	DVB-1	DVB-1
Kits d'évacuation en vinyle		
La description	Numéro de modèle	
l'Assemblage d'évent pour le revêtement en vinyle	DV-822	DV-822
l'Assemblage d'évent pour le revêtement en vinyle	VSK-1	VSK-1
Kits D'extension D'évent		
Numéro d'article	La description	Utilisé sur
TH358	Kit d'extension de ventilation pour propane Unités (murs de 13 "à 19")	DV2155GXLP-1
TH357	Kit d'extension de ventilation pour propane Unités (murs de 13 "à 19")	DV2155GXNAT-1
Kits De Conversion		
Numéro d'article	La description	Utilisé sur
17081	Propane to Naturel	DV210SGXLP-1
17080	Naturel to Propane	DV210SGXNAT-1
17083	Propane to Naturel	DV215SGXLP-1
17082	Naturel to Propane	DV215SGXNAT-1

Cette page a été intentionnellement laissée vierge.

# LE PROVISION DE GAZ

## Emplacement de l'Alimentation de Gaz

La ligne de gaz peut entrer dans l'appareil soit en venant du plancher ou du mur extérieur. L'ouverture pour la ligne de gaz doit être faite à ce moment. L'emplacement de l'ouverture sera déterminé par la position des solives du plancher et par la valve et le raccord utilisé lors de l'entretien.

### Le Diamètre recommandé de tuyau de gaz

Longueur de tuyau	Le plan 40 tuyau diamètre d'intérieur		Les tuyaux, Taper L Hor du Diamètre	
	Naturel	Propane	Naturel	Propane
0-10 feet 0-3 meters	1/2"	3/8"	1/2"	3/8"
10-40 feet 4-12 meters	1/2"	1/2"	5/8"	1/2"
40-100 feet 13-30 meters	1/2"	1/2"	3/4"	1/2"
100-150 feet 31-46 meters	3/4"	1/2"	7/8"	3/4"

**NOTE:** Ne jamais utiliser des tuyaux de plastique. Assurez-vous que les codes locaux permettent les tuyaux de cuivre ou galvanisés.

**NOTE:** Étant donné que certaines municipalités ont des codes locaux additionnels, il est toujours préférable de consulter votre autorité locale et le code d'installation.

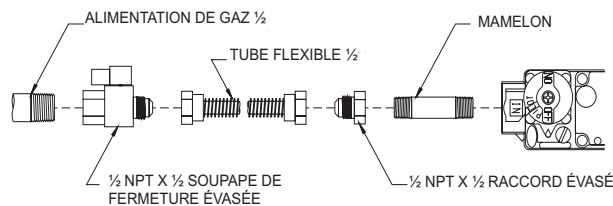
L'emploi des connexions de gaz suivantes est recommandé.

— ANS Z21.24 Connexions d'appareil de tuyaux et de raccords en métal ondulé.

— ANS Z21.45 Connexions flexibles d'appareil autre qu'en métal.

Les connexions ci-dessus peuvent être utilisées si elles sont acceptées par les autorités ayant juridiction. Commonwealth de Massachusetts exige qu'une connexion flexible d'un appareil n'exécède pas une longueur de trois pieds

### CONNEXION D'UNE LIGNE DE GAZ FLEXIBLE



### CONNEXION D'UNE LIGNE RIGIDE

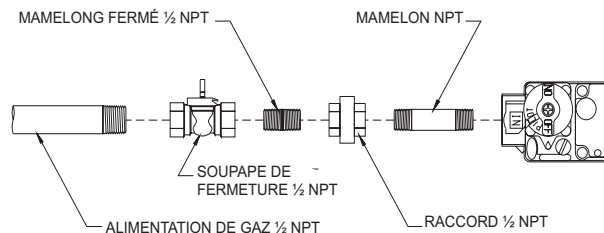


Figure 1

Consulter le Code d'Installation en Cours du National Fuel Gas Code, ANSI Z223.1 CAN/CGA-B149 (.1 ou .2).

## Installation d'un Nouveau Robinet Principal pour le Gaz

Chaque appareil doit avoir son propre robinet manuel de gaz.

Un robinet manuel principal doit être situé près de l'appareil. S'il n'y en a pas ou si la grosseur ou l'emplacement est inadéquat, contacter votre installateur autorisé pour l'installation ou pour changer l'emplacement.

Les composantes employées sur les joints filetés des tuyaux doivent être résistantes à l'action des gaz de pétrole liquéfiés. La canalisation de gaz doit être vérifiée par l'installateur pour des possibilités de fuites. Ceci doit être fait sur toutes les connexions exposées avec une solution savonneuse. Surveiller pour la formation de bulles. Si les connexions ne sont pas exposées, un test de pression doit être fait.

Ne jamais employer une flamme pour vérifier les fuites. Lors d'un test de pression, le tuyau d'arrivée de la valve de commande doit être débranché de l'appareil et bouché. Ne jamais faire un test de pression lorsque l'appareil est branché; la valve de commande peut être endommagée!

Pour aider à l'entretien, une valve à gaz et un raccord horizontal doivent être installés sur la ligne de gaz en amont du contrôle de gaz. Le National Fuel Gas Code exige qu'une ligne d'égoûtage soit installée près de l'entrée de gaz. Ceci doit consister en une longueur de tuyau vertical qui sera raccordé par un T sur la ligne de gaz et terminé au bas par un bouchon. La condensation et les particules étrangères s'y amasseront.

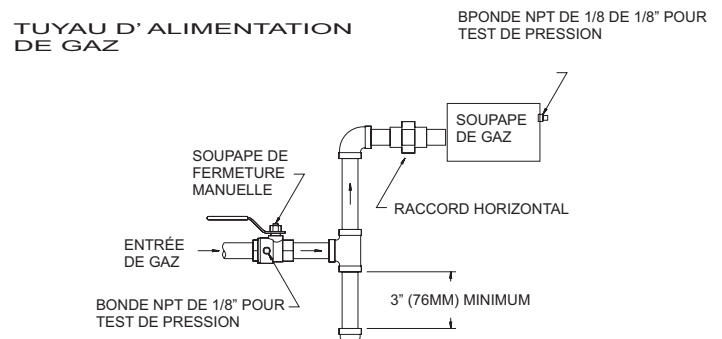


Figure 2

## Méthode pour installer un collecteur de sédiment avec un adaptateur en T.

Test de Pression du Système d'Alimentation de Gaz

1. Pour vérifier la pression d'arrivée à la valve de gaz, une bonde N.P.T. de 1/8" (3.175mm), accessible pour vérifier le jaugeage des connexions, doit être située immédiatement en amont de la connexion d'alimentation de gaz de l'appareil.
2. Pendant un test de pression du système d'alimentation de gaz, l'appareil et sa valve de fermeture doivent être débranchés si une pression supérieure à 1/2 psig (3.5kPa) est employée.
3. Pendant un test de pression du système d'alimentation de gaz, si une pression égale ou inférieure à 1/2 psig (3.5kPa) est employée, l'appareil doit être isolé du système d'alimentation de gaz en fermant sa propre valve de fermeture manuelle.

**Attention!** Si une des procédures ci-dessus occasionne une pression supérieure à 1/2 psig (3.5kPa) sur la valve de gaz de l'appareil, une situation dangereuse s'en suivra.

## Vérifier les Pressions de Gaz

Un régulateur de pression est incorporé dans la valve de gaz Propane et celle de gaz naturel.

Les modèles pour le gaz naturel auront des pressions de gaz approximativement de 4.0" w.c. (.996kPa) à la sortie de la valve et une pression d'entrée à la valve d'un minimum de 5.0" w.c. (1.245kPa) pour permettre l'ajustement à l'entrée, allant à un maximum de 10.5" w.c. (2.614kPa). Les modèles pour le gaz Propane auront des pressions de gaz approximativement de 10.0" w.c.(2.49kPa) à la sortie de la valve et une pression d'entrée à la valve d'un minimum de 11.0" w.c. (2.74kPa) pour permettre l'ajustement à l'entrée, allant à un maximum de 13.0" w.c. (3.24kPa).

Une bonde N.P.T. de 1/8" (3.175mm), accessible pour vérifier le jaugeage des connexions, est située sur le côté de la sortie de la commande de gaz.

# ESPACES LIBRES

1. En choisissant un emplacement, il est nécessaire de fournir l'espace libre adéquat pour l'accès à l'installation et à l'entretien.
2. Cette unité est tenue en place par un support mural, même si elle est certifiée comme ayant aucun espace libre au plancher. Nous recommandons de laisser assez d'espace libre 2" (51mm) pour permettre de changer ou d'ajouter un revêtement de plancher. Les autres espaces libres entre l'unité et les constructions combustibles sont de 1" (25mm) pour les côtés et 12" (305mm) à partir du dessus.
3. Noter la position de l'évent relativement au centre de l'unité. L'évent du DV-210 est au centre. L'évent du DV-215 est 2" (51mm) à la droite du centre.
4. Le minimum d'espace libre entre le centre de l'évent extérieur et un coin ou une obstruction le plus près à l'extérieur est de 16" (406mm).
5. Pour le DV-210/DV-215, le minimum d'épaisseur pour le mur est de 4 1/2" (114mm) et le maximum est de 13" (330mm). L'usage de tuyaux qui ne sont pas fournis par le fabricant, résultera en une performance insatisfaisante.

L'évent terminal d'un appareil avec un évent direct, ayant une puissance d'entrée de 10,000 Btuh (3kW/h) ou moins, doit être situé à au moins 6" (150mm) de toute ouverture dans un bâtiment, et un appareil comme celui-là ayant une puissance d'entrée au-dessus de 10,000 Btuh (3kW/h) mais pas plus que 50,000 Btuh (14.7kW/h) doit être installé avec un espace libre de 9" (229mm) pour l'évent terminal et le bas de l'évent terminal et l'entrée d'air doivent être situés à au moins 12" (305mm) au dessus du sol.

**AVERTISSEMENT:** Le point le plus près du capuchon de l'évent doit être éloigné horizontalement d'un minimum de 6' (1.8m) du régulateur de pression. Dans le cas d'un mal fonctionnement du régulateur, la distance de 6' (1.8m) réduira la chance pour le gaz d'entrer par le capuchon de l'évent.

# INSTRUCTIONS POUR L'INSTALLATION

Le radiateur doit être situé sur un mur extérieur. Trouver les montants du mur, ainsi l'ouverture dans le mur sera entre les montants du mur. Un montant du mur peut être utilisé pour attacher la plaque murale intérieure. Comme le représente la Figure 3, l'ouverture dans le mur exige un diamètre minimum de 6 1/4" (159mm). La plaque murale intérieure et la plaque murale extérieure sont assez grandes pour permettre une ouverture d'un diamètre de 8" (203mm) dans le mur.

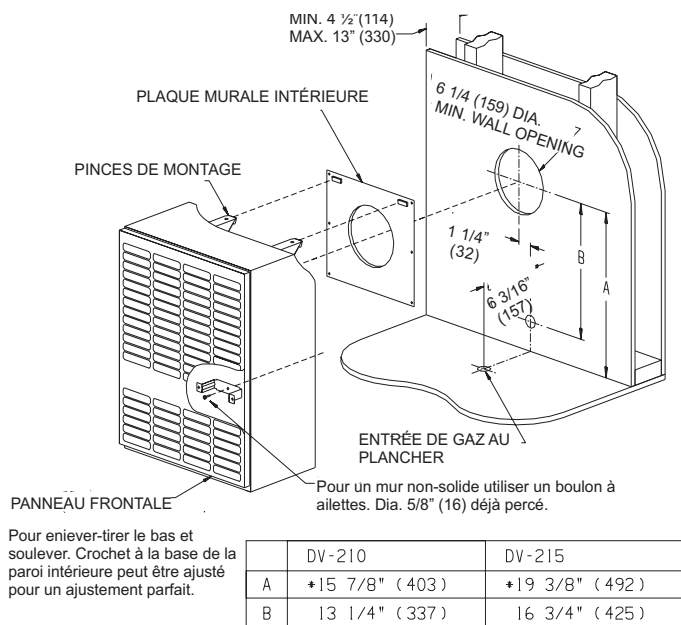
Un guide est fourni dans l'emballage du radiateur pour vous aider à positionner le radiateur sur le mur. Aussi, référer à la Figure 3 pour positionner le radiateur sur le mur et pour situer les connexions pour la ligne de gaz.

## Installation de la Plaque Murale Intérieure

Après avoir situé et coupé l'ouverture dans le mur, centrer et mettre au niveau la plaque murale intérieure dans l'ouverture du mur. Le collet de la plaque murale intérieure doit être placé à l'intérieur de l'ouverture du mur. Sur un mur solide ou un montant de mur, attacher la plaque murale intérieure avec (6) vis #10 x 1 1/2" (38mm). Sur un mur de plâtre, en employant l'ouverture dans le mur pour y accéder, attacher la plaque murale intérieure avec (6) vis #10 x 1 1/2" (38mm) et (6) écrous Tinnerman. Les vis et les écrous Tinnerman sont fournis.

## Attacher le Radiateur à la Plaque Murale Intérieure

Aligner et attacher les pinces de montage sur l'arrière du radiateur avec les fentes sur la plaque murale intérieure. Le support situé au bas du radiateur doit être attaché au mur. Sur un mur solide, attacher le support avec (1) vis #10 x 1 1/2" (38mm). Sur un mur de plâtre, attacher le support avec (1) boulon à ailettes. La vis et le boulon sont fournis.



\*AJOUTER DISTANCE AU-DESSUS DU PLANCHER

Figure 3

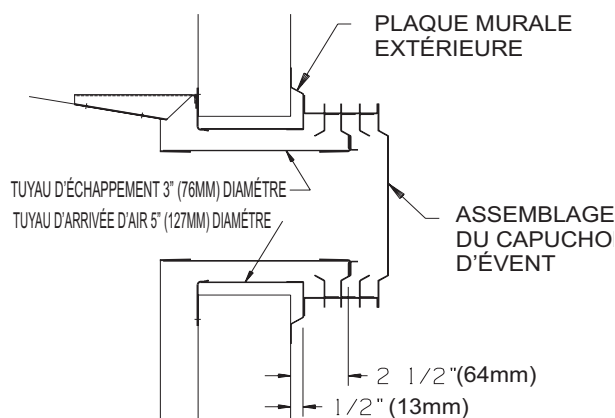


Figure 4

# INSTRUCTIONS POUR L'INSTALLATION (SUITE)

## Couper les Tuyaux de Ventilation

Ceci est la partie la plus importante de l'installation. Avec le radiateur installé sur le mur, le tuyau d'arrivée d'air de 5" (127mm) de diamètre et le tuyau d'échappement de 3" (76mm) de diamètre doivent être marqués et coupés en employant les procédures suivantes:

1. Attacher le tuyau d'arrivée d'air de 5" (127mm) de diamètre sur le collet de l'assemblage de la descente d'air. Soyez certain de placer le tuyau d'arrivée d'air de 5" (127mm) de diamètre aussi loin que possible sur le collet de l'assemblage de la descente d'air. Marquer le tuyau d'arrivée d'air de 5" (127mm) de diamètre, 1/2" (13mm) au-delà du mur extérieur. Enlever le tuyau d'arrivée d'air de 5" (127mm) de diamètre du collet de l'assemblage de la descente d'air.
2. Attacher le tuyau d'échappement de 3" (76mm) de diamètre sur le collet de la sortie d'échappement qui est sur la chambre de combustion. Soyez certain que le tuyau d'échappement de 3" (76mm) de diamètre est placé aussi loin que possible sur le collet de la sortie d'échappement. Marquer le tuyau d'échappement de 3" (76mm) de diamètre, 2" (51mm) au-delà du mur extérieur. Enlever le tuyau d'échappement de 3" (76mm) de diamètre du collet de la sortie d'échappement qui est sur la chambre de combustion.
3. Pour vous aider à faire une bonne coupe sur les tuyaux, tracez ou mettez du ruban adhésif tout autour des tuyaux. Ne pas déformer ou agrandir les tuyaux.

## Installation de l'Ensemble de Ventilation

1. Calfeutrer sous le bord de la plaque murale extérieure. L'étope est non fourni. Ajouter de l'étope pour corriger les inégalités sur la surface du mur.
2. Attacher le tuyau d'arrivée d'air de 5" (127mm) de diamètre sur le collet de l'assemblage de la descente d'air. Attacher la plaque murale extérieure que vous avez calfeutrée avec le tuyau d'arrivée d'air de 5" (127mm) de diamètre. Positionner la plaque murale extérieure de façon à ce que le tuyau d'arrivée d'air de 5" (127mm) de diamètre ait une légère pente descendante vers l'extérieur. La pente descendante est nécessaire pour prévenir l'entrée de la pluie. Attacher la plaque murale extérieure au mur extérieur avec 4 vis #10 x 1 1/2" (38mm). Les vis sont fournies.
3. Appliquer du ciment pour radiateur au collet de la sortie d'échappement de 3" (76mm) de diamètre et sur le collet de 3" (76mm) du capuchon d'évent. Attacher le tuyau de sortie d'échappement de 3" (76mm) de diamètre au collet de la sortie d'échappement de la chambre de combustion. Attacher le capuchon de l'évent au tuyau de sortie d'échappement de 3" (76mm) de diamètre. Attacher le capuchon de l'évent à la plaque murale extérieure avec 3 vis #10 x 1/2" (13mm). Les vis sont fournies.
4. L'installation est complétée.

## Remontage et Étanchement du Système d'Évacuation et d'Alimentation d'Air

Lorsque le système d'évacuation et d'alimentation d'air est enlevé pour réparer le radiateur, les étapes suivantes vous assureront la bonne méthode de remonter et d'assurer l'étanchéité du système d'évacuation et d'alimentation d'air.

1. Enlever le vieux ciment pour radiateur autour du collet de la sortie d'échappement de la chambre de combustion et autour du collet du capuchon d'évent. Enlever le vieux ciment pour radiateur autour des deux bouts du tuyau de sortie d'échappement de 3" (76mm) de diamètre.
2. Enlever la vieille étope sous le bord de la plaque murale extérieure. Appliquer de la nouvelle étope sous le bord de la plaque murale extérieure. Ajouter de l'étope pour corriger les inégalités sur la surface du mur.
3. Attacher le tuyau d'arrivée d'air de 5" (127mm) de diamètre au collet de l'assemblage de la descente d'air. Attacher la plaque murale extérieure calfeutrée au tuyau d'arrivée d'air de 5" (127mm) de diamètre. Positionner la plaque murale extérieure de façon à ce que le tuyau d'arrivée d'air de 5" (127mm) de diamètre ait une légère pente descendante vers l'extérieur. La pente descendante est nécessaire pour prévenir l'entrée de la pluie. Attacher la plaque murale extérieure au mur extérieur avec 4 vis #10 x 1" (25mm). Les vis sont fournies.

4. Appliquer du ciment pour radiateur au collet de la sortie d'échappement de 3" (76mm) de diamètre et sur le collet de 3" (76mm) de diamètre du capuchon d'évent. Attacher le tuyau de sortie d'échappement de 3" (76mm) de diamètre au collet de la sortie d'échappement de la chambre de combustion. Attacher le capuchon de l'évent au tuyau de sortie d'échappement de 3" (76mm) de diamètre. Attacher le capuchon de l'évent à la plaque murale extérieure avec 3 vis #10 x 1/2" (13mm). Les vis sont fournies.
5. Le remontage et l'étanchement du système d'évacuation et d'alimentation d'air est complété.

## Installer un Événement Près d'un Rebord de Fenêtre,

### Autre Genre de Saillie ou Sur un Revêtement (vinyle, aluminium, etc.)

Les radiateurs à événement direct sont désignés pour être installés sur un mur extérieur uniforme. Lorsque le vent souffle de différentes directions (d'en haut, d'en bas, ou sur les côtés), il doit frapper le capuchon d'évent de façon à ce que les parties d'arrivée d'air et de sortie d'échappement de l'évent soient frappées également. Toutes sortes de saillies, par exemple une porte ou un cadre de fenêtre, peuvent dévier le vent qui frappera un côté de la section de l'arrivée d'air. Ceci occasionnera un retour de pression sur la portion d'échappement lequel étouffera la flamme et éventuellement produira l'extinction de la veilleuse.

Lorsque le capuchon d'évent doit être installé sur un revêtement ou près d'une saillie qui sera à 6" (152mm) de distance de la portion d'arrivée d'air, l'évent complet devra être soutenu loin du mur d'au moins la distance de la saillie. Nous recommandons une construction faite de 2" x 4" (51mm x 102mm) dont la dimension extérieure sera égale aux dimensions totales de la plaque de montage. La construction faite de 2" x 4" (51mm x 102mm) protégera le revêtement d'une possibilité de déformation ou de décoloration. Tous les joints peuvent alors être rendus étanches et peints. L'épaisseur du mur, plus l'épaisseur de la construction faite de 2" x 4" (51mm x 102mm) ne doit pas excéder l'épaisseur totale de 13" (330mm) pour le DV-210 et le DV-215. (voir figure 5)

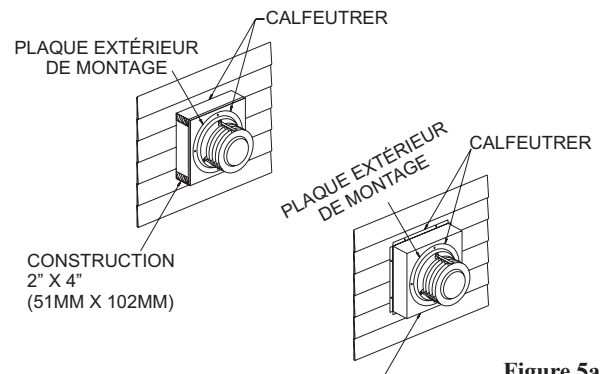


Figure 5 EXTENSION DU CAPICHON D'ÉVENT

L'ensemble d'évent pour le revêtement en vinyle, DV-822, est disponible chez Empire Comfort Systems, Inc. L'épaisseur est de 3" (76mm) ce qui permet le prolongement du capuchon d'évent loin du revêtement en vinyle ou des saillies. L'épaisseur du mur, plus l'épaisseur additionnelle de 3" (76mm) de l'extension du capuchon d'évent pour revêtement ne doit pas excéder une épaisseur totale de 13" (330mm) pour le DV-210/DV-215. (voir figure 5a)

**Avvertissement:** Lorsque l'ensemble d'évent pour le revêtement en vinyle DV-822 ou la construction faite de 2" x 4" (51mm x 102mm) est ajouté à une installation déjà existante (radiateur est installé), n'essayez pas d'ajouter des sections de tuyau au tuyau de sortie d'échappement ou au tuyau d'arrivée d'air. Un joint étanche est requis pour les deux tuyaux. Référer à la liste des pièces pour commander les tuyaux. (Voir Page 13)

# INSTRUCTIONS D'ALLUMAGE

## POUR VOTRE SÉCURITÉ LIRE AVANT D'ALLUMER

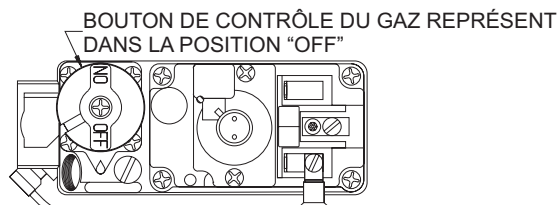
### ⚠ AVERTISSEMENT

**Si vous ne suivez pas exactement ces instructions, un feu ou une explosion peut se produire causant des dommages à la propriété, des blessures corporelles ou la mort.**

- A. Cet appareil a une veilleuse qui doit être allumée manuellement. Lorsque vous allumez la veilleuse, suivez exactement ces instructions.
- B. AVANT D'ALLUMER, sentez partout dans l'appartement dans lequel l'appareil est situé pour déceler une odeur de gaz. Soyez certain de sentir près du plancher parce qu'il y a des gaz qui sont plus pesant que l'air et ceux-ci resteront sur le plancher.
- QUOI FAIRE SI VOUS SENTEZ LE GAZ
- N'essayer pas d'allumer un appareil.
  - Ne toucher pas les interrupteurs électriques. N'utiliser pas les téléphones dans le bâtiment.
  - Appeler immédiatement votre fournisseur de gaz en employant le téléphone de votre voisin. Suivre les instructions du fournisseur de gaz.
- C. Si vous ne pouvez pas contacter votre fournisseur de gaz, appeler le poste de pompiers.
- C. Utiliser seulement votre main pour pousser ou tourner le bouton de contrôle de gaz. N'utiliser jamais des outils. Si vous ne pouvez pas pousser ou tourner le bouton avec vos mains, n'essayer pas de le réparer; appeler un technicien qualifié. Forcer ou essayer de réparer peut résulter en un feu ou une explosion.
- D. Ne pas utiliser cet appareil si une pièce a été en contact avec l'eau. Appeler immédiatement un technicien qualifié pour inspecter le radiateur et remplacer toute pièce du système de commande et les commandes de gaz qui ont été en contact avec l'eau.

## INSTRUCTIONS D'ALLUMAGE

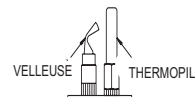
1. ARRÊTER! Lire les informations de sécurité ci-dessus.
2. Éteindre tout pouvoir électrique à l'appareil. (si applicable).
3. Enlever la paroi frontale du radiateur.
4. Pousser légèrement le bouton de contrôle de gaz et tourner dans le sens des aiguilles d'une montre à la position "OFF".



NOTE: Le bouton ne peut pas être tourné de la position "PILOT" à la position "OFF" à moins de pousser légèrement le bouton. Ne pas forcer.

5. Attendre 10 minutes pour se débarrasser des gaz. Après les 10 minutes, sentir partout y compris près du plancher pour déceler une odeur de gaz. Si vous sentez le gaz, ARRÊTER! Suivre "B" dans les informations de sécurité ci-dessus. Si vous ne sentez aucun gaz, aller à la prochaine étape.
6. Enlever le couvercle d'accès à la veilleuse situé sur la chambre de combustion.

7. Trouver la veilleuse - suivre le tuyau de métal à partir du contrôle de gaz. La veilleuse est derrière le couvercle d'accès à la veilleuse.
8. Tourner le bouton de contrôle de gaz dans le sens opposé des aiguilles d'une montre à la position "PILOT".
9. Pousser le bouton de contrôle au plus loin et le tenir. Allumer immédiatement la veilleuse avec le piezo-allumeur de la veilleuse ou une allumette. Continuer de tenir le bouton de contrôle pour environ une minute après que la veilleuse soit allumée. Relâcher le bouton et il reviendra à sa position. La veilleuse est supposée rester allumée. Si elle s'éteint, recommencer les étapes 5 jusqu'à
  - Si le bouton ne revient pas à sa position lorsque vous le relâchez, arrêter et appeler immédiatement un technicien d'entretien ou le fournisseur de gaz.
  - Si la veilleuse ne reste pas allumée après plusieurs essais, tourner le bouton de contrôle de gaz à la position "OFF" et appeler votre technicien d'entretien ou votre fournisseur de gaz.
10. Replacer le couvercle d'accès à la veilleuse.
11. Tourner le bouton de contrôle de gaz dans le sens opposé des aiguilles d'une montre à la position "ON".
12. Replacer la paroi frontale du radiateur.
13. Allumer tout le pouvoir électrique de l'appareil. (si applicable).
14. AVERTISSEMENT: Le couvercle d'accès à la veilleuse doit être gardé bien fermé durant le fonctionnement.



## POUR FERMER LE GAZ À L'APPAREIL

1. Si l'entretien doit être fait, éteindre tout le pouvoir électrique à l'appareil. (si applicable).
2. Enlever la paroi frontale du radiateur.
3. Pousser légèrement le bouton de contrôle de gaz et tourner dans le sens des aiguilles d'une montre à la position "OFF". Ne pas forcer.
4. Replacer la paroi frontale du radiateur.

# MAINTENANCE

Ces dispositifs de marche/arrêt de chauffage sont conçus pour l'usage d'un système auto-générateur. Il ne doit jamais être utilisé sur un circuit en ligne ou un circuit de bas voltage de courant alternatif.

Le bon fonctionnement dépend d'une bonne flamme de la veilleuse. La flamme doit recouvrir le haut de la thermopile. Le nettoyage de l'ouverture de la veilleuse et du brûleur doit être fait à cause des araignées.

## Étapes pour Enlever le Brûleur Principal, l'Ouverture et la Valve

1. Débrancher la thermopile et la ligne d'alimentation de la veilleuse du brûleur de la veilleuse.
2. Enlever le couvercle du compartiment du brûleur. Une douille 5/16" (8mm) est suggéré.
3. Enlever les vis tenant le côté gauche du brûleur et lever.
4. L'ouverture du brûleur principal est maintenant accessible. Utiliser une clé hexagonale de 1/2" (13mm) pour l'enlever et lorsque vous la remplacez, appliquer un enduit à tuyau qui ne durcit pas sur les filets de l'ouverture.
5. Pour enlever entièrement la valve de gaz, vous devez enlever l'écrou qui tient l'ouverture adaptée à la chambre et débrancher l'alimentation de gaz à la valve. Après ceci, la valve et le coude de l'ouverture peuvent être enlevés comme une unité.

## Nettoyage du Brûleur de la Veilleuse

A cause des araignées le nettoyage de la veilleuse peut être nécessaire à chaque année. Après avoir enlevé le tuyau d'alimentation et l'ouverture, utiliser un nettoyeur à tuyau ou un fil métallique pour nettoyer toute la partie intérieure de la veilleuse.

## Nettoyage de la Chambre de Combustion et du Brûleur Principal

Lorsque le brûleur principal et le capuchon d'évent sont enlevés, toutes les parties internes de la chambre de combustion sont accessibles pour le nettoyage. Utiliser un tuyau d'aspirateur pour nettoyer. Le brûleur principal peut être nettoyé en forçant de l'eau dans les ouvertures et la gorge du brûleur. Le brûleur principal doit être séché ou chauffé pour enlever l'eau, avant de réinstaller.

## Installation d'un dispositif de marche/arrêt

Pour installer un dispositif de marche/arrêt (tel qu'un interrupteur mural, une télécommande, un interrupteur à bascule ou un thermostat), enlever le capuchon de connexion des deux fils de la vanne. Tirer un fil supplémentaire entre les fils de vanne et le dispositif de marche/arrêt. Installer le dispositif de marche/arrêt dans la même pièce que la chaudière en suivant les instructions d'installation fournies avec le dispositif. En l'absence d'instructions, installez le dispositif de marche/arrêt à 1,2 à 1,5 mètres (4 à 5 pieds) au-dessus du sol sur un mur intérieur qui ne subit pas l'effet d'une autre source de chaleur (poêle ou chauffe-eau) ni de la température d'une pièce voisine.

## Vérification du système

La vérification du système nécessite un millivoltmètre. Les mesures en millivolts doivent être :

- Entre les bornes de la thermopile : 400 à 450 millivolts avec la chaudière à OFF.
- Entre les bornes de la thermopile : 150 à 250 millivolts avec la chaudière à ON.
- Entre les fils de la vanne : moins de 30 millivolts avec la chaudière à ON.

## Instructions Pour le Piezo-Allumeur de Veilleuse

Baisser le bouton piezo-allumeur complètement provoquera une étincelle qui surviendra à la veilleuse. Ceci est un substitut à une allumette. Celle-ci exigerait l'ouverture du couvercle pour l'accès à la veilleuse.

Pour allumer la veilleuse, il est important que l'électrode soit à 1/8" (3mm) de la thermopile. L'étincelle doit se produire à l'endroit où la flamme du brûleur frappe la thermopile. Le bout de l'électrode sera chauffé au rouge lorsque la veilleuse est en fonction.

Sur une nouvelle installation ayant de l'air dans la ligne de gaz, il est suggéré d'utiliser une allumette. Dans cette condition, l'allumette allumera la veilleuse plus vite qu'avec le piezo-allumeur.

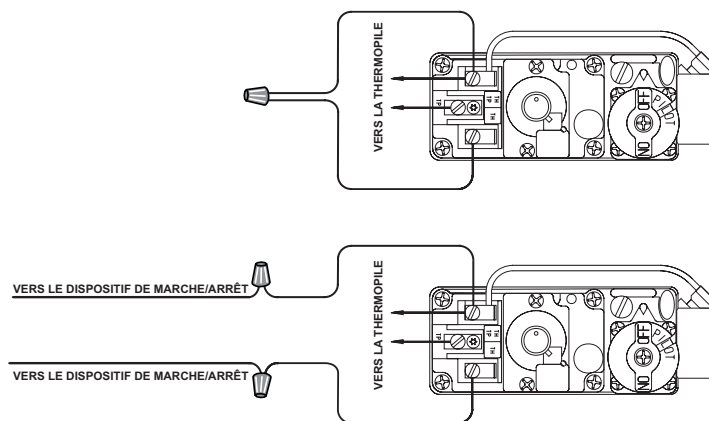
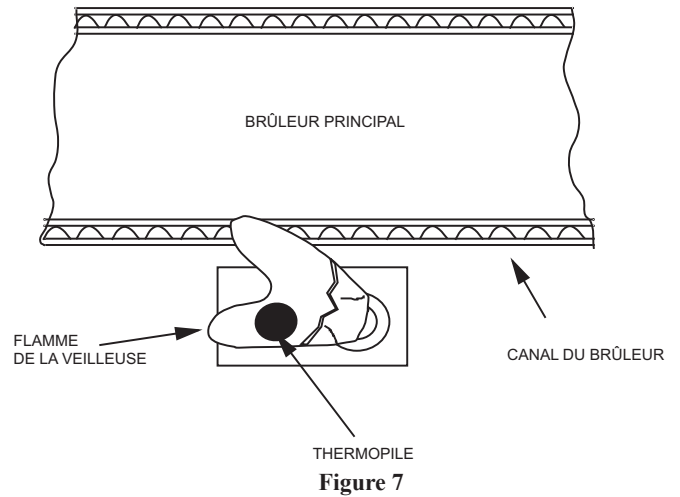


Figure 6



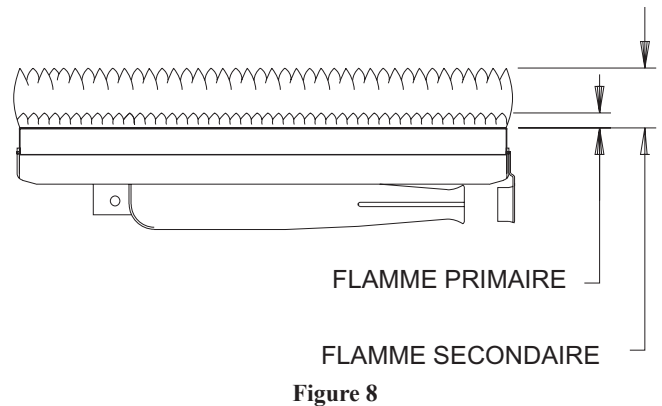
## ASPECT CONVENABLE DE LA FLAMME DE LA VEILLEUSE

La flamme de la veilleuse est bleue et va vers le brûleur principal et la thermopile horizontalement. Un petit bout jaune sur la flamme est normal. La flamme de la veilleuse doit entourer et s'allonger approximativement de 1/4" (6mm) au-delà de la thermopile et doit s'allonger au-delà de la première rangée vers la deuxième rangée des ouvertures du brûleur principal.



## ASPECT CONVENABLE DE LA FLAMME DU BRÛLEUR PRINCIPAL

Pour le brûleur principal, les gaz brûlants forment une flamme primaire et une flamme secondaire. La flamme primaire est bleue et environ 3/16" (5mm) de haut. La flamme secondaire est bleue très pâle et 3" (76mm) à 5" (127mm) de haut. De la poussière dans l'air de combustion produira une flamme orange. Ne pas confondre avec une flamme jaune incorrecte.



# DÉTECTION DES DÉFECTUOSITÉS

1. Une allumette allumée s'éteint lorsqu'elle entre dans l'orifice d'allumage.
  - a. Certaines conditions du vent éteindra l'allumette. Allumer l'allumette et aussitôt qu'elle s'enflamme, enfoncer l'allumette à travers l'ouverture.
  - b. Ouvrir une porte ou une fenêtre près de l'appareil et essayer d'allumer la veilleuse.
2. La veilleuse s'enflamme mais s'éteint lorsque le bouton est relâché.
  - a. Voir Les Instructions d'Allumage. Essayer d'allumer la veilleuse.
  - b. Allumer la veilleuse et baisser le bouton plus longtemps et fermement. Fermer le couvercle de l'orifice d'allumage juste après l'allumage. Vérifier pour une bonne flamme de la veilleuse.
  - c. Thermopile défectueuse ou un aimant défectueux dans la partie de sécurité de la valve. Remplacer.
3. La flamme de la veilleuse est jaune.
  - a. Obstruction à l'ouverture de la veilleuse.
  - b. Nettoyer l'ouverture de la veilleuse.
4. La veilleuse et le brûleur principal s'éteignent lors d'une opération normale.
  - a. Vérifier les millivolts.
  - b. Vérifier pour voir si vous obtenez la grandeur convenable pour la flamme de la veilleuse.
  - c. Vérifier la thermopile. Celle-ci peut être défectueuse ou faible.
  - d. Vérifier l'entrée, réduire au besoin.
  - e. Le couvercle sur l'ouverture de l'allumeur de la veilleuse doit être bien fermé.
  - f. Vérifier les tuyaux d'air et d'échappement pour qu'ils soient bien ajustés aux deux extrémités de l'assemblage de l'évent. Vérifier qu'il n'y ait aucune obstruction autour de l'évent qui empêcherait le vent de frapper l'évent également.
5. La flamme jaune du brûleur principal couvre de suie le capuchon d'évent.
  - a. Enlever le brûleur principal pour vérifier s'il y a une obstruction dans les ouvertures et dans la gorge.
  - b. Installer une nouvelle ouverture du brûleur principal et une nouvelle ouverture de la veilleuse. Référer à la liste des pièces (Voir Page 13).

# FAÇON DE COMMANDER LES PIÈCES DE RÉPARATION

Les pièces peuvent être commandées seulement par l'entremise du technicien d'entretien ou du vendeur. Pour de meilleurs résultats, le technicien d'entretien ou le vendeur devrait commander les pièces chez le distributeur. Les pièces peuvent être expédiées directement au technicien d'entretien ou au vendeur.

Toutes les pièces énumérées dans la liste ont un numéro de pièce. Lorsque vous commandez des pièces, premièrement obtenez le numéro du modèle sur la plaque d'identification de l'appareil. Puis en vous référant à l'illustration et à la liste des pièces, déterminer le numéro de la pièce (pas le numéro d'index) et la description de chaque pièce. Soyez certain de donner toutes ces informations.

Numéro du modèle du radiateur \_\_\_\_\_ Description de la pièce \_\_\_\_\_  
 Numéro de série du radiateur \_\_\_\_\_ Numéro de la pièce \_\_\_\_\_  
 Sorte de Gaz (Propane ou Naturel) \_\_\_\_\_

Ne pas commander les boulons, les vis, les rondelles ou les écrous. Ce sont des pièces standard que vous pouvez acheter dans les quincailleries.

L'expédition des marchandises se fera sans délai, excepté en cas de grèves, de feux ou toutes autres circonstances indépendantes de notre volonté.

Empire Comfort Systems, Inc. - Belleville, Illinois

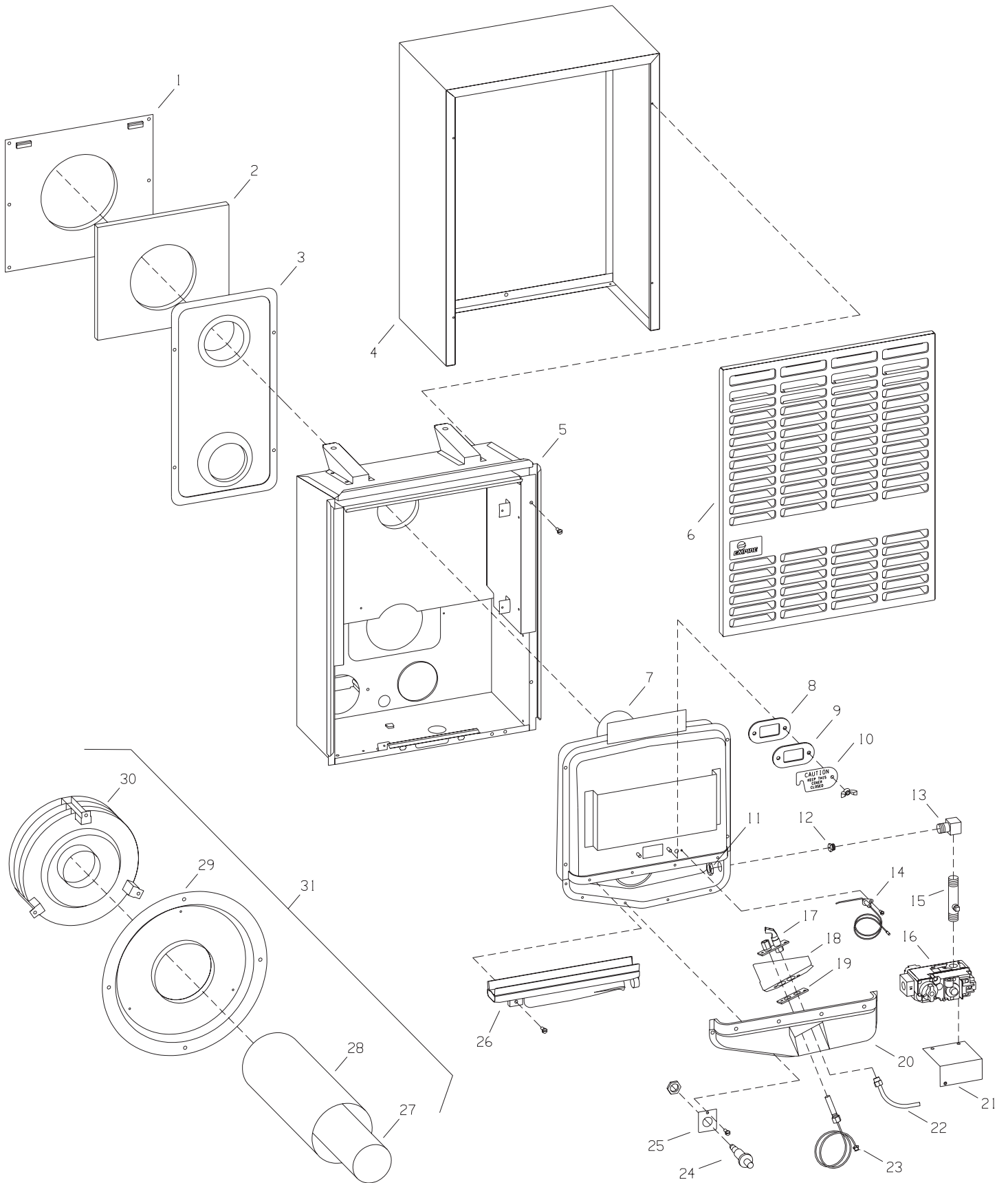
## LISTE DES PIÈCES

ATTENTION: Lorsque vous commandez les pièces, il est très important que le numéro de la pièce et la description coïncident.

Numéro d'Index	Numéro de la Pièce	Description	Numéro d'Index	Numéro de la Pièce	Description
1	TH-100	Plaque murale intérieure	21	TH-365	Support de la soupape
2	TH-104	Joint d'étanchéité pour plaque murale	22	TH-336	Tuyau de la veilleuse 1/4" (6.4mm) avec ferrells
3	TH-015	Assemblage de descente d'air DV-210			(gaz naturel)
3	TH-018	Assemblage de descente d'air DV-215	22	TH-367	Tuyau de la veilleuse 1/4" (6.4mm) avec ferrells
4	11757	Paroi extérieure DV-210			(gaz propane)
4	11758	Paroi extérieure DV-215	23	R1054	Thermopile (générateur)
5	TH-142	Paroi intérieure DV-210	24	R-2708	Piezo-allumeur
5	TH-143	Paroi intérieure DV-215	25	TH-289	Support pour piezo-allumeur
6	TH-008	Panneau frontal DV-210	26	TH-275	Brûleur DV-210
6	TH-009	Panneau frontal DV-215	26	24644	Brûleur DV-215
7	TH-024	Chambre de combustion DV-210	27	TH-109	Tuyau d'échappement 3" (7.62cm) de diamètre
7	TH-027	Chambre de combustion DV-215	28	TH-107	Tuyau d'arrivée d'air 5" (12.7cm) de diamètre
8	712098	Joint d'étanchéité pour le couvercle du trou d'observation	29	TH-331	Plaque de montage extérieure
9	DV-781	Couvercle pour le trou d'observation	30	TH-334	Capuchon d'évent
10	DV-064	Couvercle - trou d'observation	31	TH-123	L'ensemble d'évent complet
11	852098	Écrou pour l'adaptateur d'ouverture	Pas représenté	742158	Ouverture pour la veilleuse (gaz naturel)
12	742134	Ouverture du brûleur DV-210 naturel	Pas représenté	R1089	Ouverture pour la veilleuse (gaz propane)
12	742133	Ouverture du brûleur DV-215 naturel	Pas représenté	TH-300	Joint d'étanchéité pour porte de la chambre de combustion DV-210
12	742297	Ouverture du brûleur DV-210 propane	Pas représenté	TH-281	Joint d'étanchéité pour porte de la chambre de combustion DV-215
12	742282	Ouverture du brûleur DV-215 propane	Pas représenté	TH-351	Ensemble de quincaillerie
13	742038	Adaptateur pour l'ouverture			
14	732016	Électrode et assemblage des fils électriques			
15	722049	Tuyau de gaz			
16	R-5598	Soupape de gaz 7000 MVRCLC naturel			
16	R-5599	Soupape de gaz 7000 MVRCLC propane			
17	R-2890	Brûleur de la veilleuse avec ouverture pour gaz propane			
17	R-2893	Brûleur de la veilleuse avec ouverture pour gaz naturel			
18	TH-335	Écran pour la veilleuse			
19	712051	Joint d'étanchéité pour brûleur de la veilleuse			
20	TH-133	Porte de la chambre avec joint d'étanchéité DV-210			
20	TH-134	Porte de la chambre avec joint d'étanchéité DV-215			

Utiliser seulement les pièces de remplacement du fabricant. L'emploi de d'autres pièces peut causer des blessures ou la mort.

# VUE DES PIÈCES



# INSTRUCTIONS POUR L'INSTALLATION DE LA SOUFFLERIE FACULTATIVE

## DVB-1 Pour Radiateurs Muraux à Évacuation Directe DV-210-(7, 9)SG et DV-215-(7, 9)SG

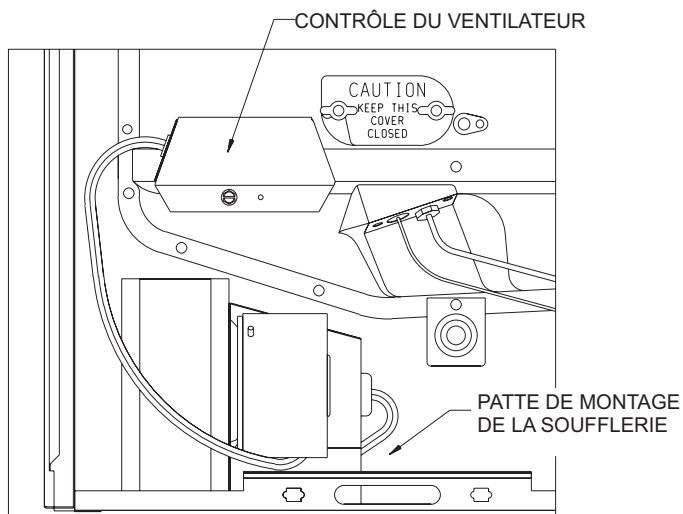


Figure 1

**INSTALLATION DE LA SOUFFLERIE FACULTATIVE DVB-1.** La soufflerie doit être placée comme le montre la figure 1. Si nécessaire, relocaliser la ligne de gaz en employant l'adaptateur soudé à la valve de gaz et déplacer le générateur piezo-allumeur à la prochaine vis. Une patte sur le bas de la paroi intérieure s'introduit dans la fente de l'assemblage de la soufflerie et doit être attaché avec une vis sur le devant.

### Fixer la Boîte pour l'Interrupteur

1. En se plaçant devant la chambre de combustion, enlevez (2) vis qui se trouvent en haut et à la gauche sur la porte de la chambre de combustion.
2. Alignez les (2) trous libres de la boîte pour l'interrupteur (avec la commande du ventilateur) avec les (2) trous libres sur la porte de la chambre de combustion.
3. Insérez et attachez les (2) vis que vous avez enlevées à l'étape 1, à la boîte pour l'interrupteur et à la porte de la chambre de combustion.
4. Remplacez le couvercle de la boîte pour l'interrupteur à boîte pour l'interrupteur en utilisant (1) vis #8 x 1/4".

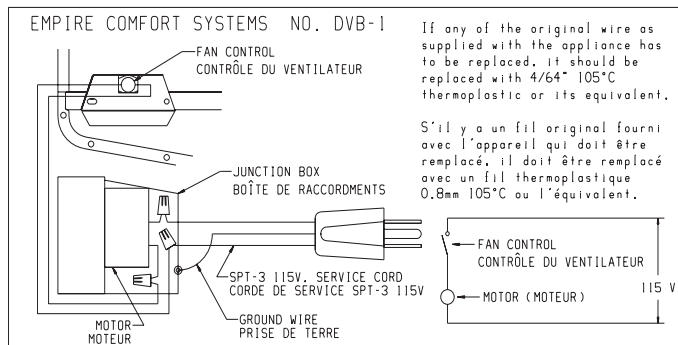
### Pose des Fils Électriques

Si vous utilisez une source électrique extérieure, l'appareil, lorsqu'il est installé, doit avoir une prise de terre conforme avec les codes locaux ou dans l'absence de codes locaux, avec le National Electrical Code, ANSI/NFPA70 ou Canadian Electrical Code, CSA C22.1. Pour votre protection contre les dangers de chocs, cet appareil est muni d'une fiche à trois broches (prise de terre) qui doit être branchée directement dans une prise de courant femelle qui a été convenablement mise à terre. Ne pas couper ou enlever la broche de mise à terre de cette fiche. Pour une prise de courant femelle qui n'a pas de mise à terre, un adaptateur qui a deux broches et un fil de mise à terre peut être acheté et branché dans la prise de courant femelle qui n'a pas de mise à terre et le fil doit être attaché à la vis du support de la prise de courant. Avec ce fil complétant la mise à terre, la fiche de l'appareil peut être branchée dans l'adaptateur. La boîte de jonction est munie d'un trou de 7/8" (22mm) pour utiliser un raccord conducteur, si les codes locaux exigent ce genre de protection.

**AVERTISSEMENT:** Lors de l'entretien des commandes, tous les fils doivent être identifiés avant de les débrancher. Une erreur de filetage peut entraîner un mauvais et dangereux fonctionnement. Vérifier que le fonctionnement soit convenable après l'entretien.

### Huiler le Moteur

Cheque extrémité du moteur est muni de trous de huilage. La soufflerie doit avoir cinq gouttes d'huile à moteur #20 chaque 6 mois. Ne pas utiliser de l'huile à machine.

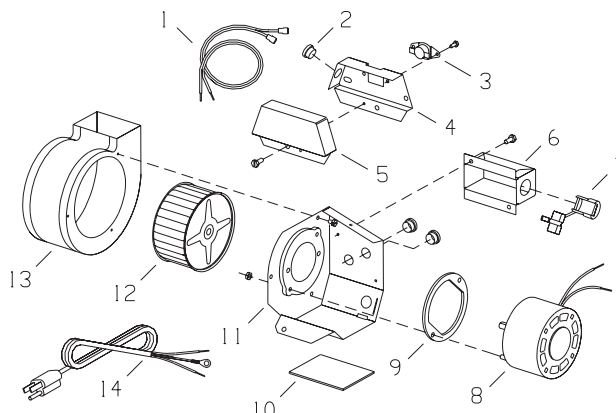


### Nettoyer la Roue de la Soufflerie

Dans certains endroits, comme près d'une chambre et sur un plancher de surface dure, la poussière s'amassera très rapidement dans la roue de la soufflerie. Après 30 jours de fonctionnement, une vérification visuelle de la roue de la soufflerie devra être faite. La soufflerie fonctionnera plus vite lorsque la roue sera sale, mais déplacera moins d'air. Enlever toute la soufflerie et nettoyer chaque ailette de la roue avec une brosse à dent si nécessaire.

**AVERTISSEMENT:** Débrancher l'accessoire de la soufflerie n'arrêtera pas le cycle de l'appareil de chauffage. Pour fermer l'appareil, Tourner le bouton pour le contrôle du gaz à "OFF", relâcher légèrement. Ne pas forcer.

Numéro d'index	Numéro de la pièce	Description
1	R-1268	Assemblage des fils électriques
2	R-896	Manchon (exige trois)
3	R-1156	Contrôle du ventilateur
4	DV-806	Boîte d'interrupteurs
5	DV-807	Couvercle de la boîte d'interrupteurs
6	TH-111	Boîte de jonction
7	R-1410	Manchon (alléger tension)
8	R-285	Moteur
9	R-587	Coussin du moteur
10	TH-341	Coussin de la soufflerie
11	TH-356	Assemblage du support du moteur
12	R-319	Roue de la soufflerie
13	TH-135	Assemblage de la cage de la soufflerie
14	R-315	Cordon électrique





# GARANTIE

Empire Comfort Systems Inc. garantit que ce produit de chauffage individuel est exempt de défauts au moment de son achat et pendant les périodes indiquées ci-dessous. Les produits de chauffage individuel doivent être installés par un technicien qualifié et doivent être entretenus et utilisés de façon sécuritaire, en conformité avec les instructions du mode d'emploi. Cette garantie est accordée à l'acheteur initial seulement et n'est pas transférable. Toutes les réparations sous garantie doivent être exécutées par un technicien d'appareil au gaz qualifié.

## **Garantie limitée de dix ans sur les pièces – Chambre de combustion**

En cas de défaillance de la chambre de combustion (voir la nomenclature des pièces) en raison de défauts de pièces ou de main-d'œuvre dans les dix ans à compter de la date d'achat, Empire s'engage à la réparer ou à la remplacer, au choix d'Empire.

## **Garantie limitée d'un an sur les pièces – Télécommande, thermostats, accessoires et pièces**

En cas de défaillance d'une télécommande, d'un thermostat, d'un accessoire ou autre pièce en raison de défauts de main-d'œuvre dans un délai d'un an à compter de la date d'achat, Empire s'engage à la réparer ou à la remplacer, au choix d'Empire.

## **Obligations du propriétaire**

L'appareil doit être installé par un installateur qualifié et utilisé en conformité avec les instructions fournies avec l'appareil. Conserver une facture, un chèque oblitéré ou un justificatif de paiement pour attester de la date d'achat et établir la période de garantie. Accès immédiat à l'appareil pour la réparation.

## **Ce qui n'est pas couvert**

Dommages pouvant résulter de l'emploi, de l'emploi abusif ou d'une installation incorrecte de cet appareil.  
Frais de déplacement, de diagnostic et de transport des pièces sous garantie vers et depuis l'usine.  
Réclamations qui n'impliquent pas des défauts de pièces ou de main-d'œuvre.  
Réparations ou remplacements de pièces non autorisés.  
Coûts de dépose et de remontage.  
Appareil inutilisable en raison d'un entretien incorrect ou insuffisant.

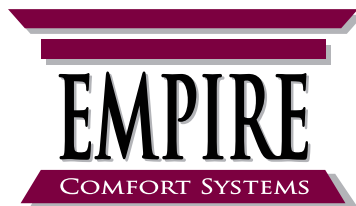
## **Comment recourir à la garantie**

Pour soumettre une réclamation en garantie, veiller à avoir le reçu à disposition et communiquer avec le revendeur installateur. Indiquer au revendeur le numéro de modèle, le numéro de série, le type de gaz et le justificatif d'achat. Le revendeur installateur a pour responsabilité d'assurer la réparation et s'adressera à l'usine pour mettre en œuvre tout remplacement de pièces sous garantie. Empire met les pièces de rechange à disposition à l'usine. Les frais de port ne sont pas couverts.

Si, après s'être adressé au revendeur Empire, le service reçu n'est pas satisfaisant, communiquer avec: Consumer Relations Department, Empire Comfort Systems Inc., PO Box 529, Belleville, Illinois 62222 (États-Unis) ou envoyer un courriel à [info@empirecomfort.com](mailto:info@empirecomfort.com) en indiquant « Consumer Relations » dans le champ de sujet.

## **Vos droits en vertu de la loi provinciale**

Cette garantie vous accorde des droits juridiques particuliers, toutefois vous pouvez avoir d'autres droits, qui varient d'une province à l'autre.



SINCE 1932

[www.empirecomfort.com](http://www.empirecomfort.com)

**Empire Comfort Systems Inc.**  
**Belleville, IL**

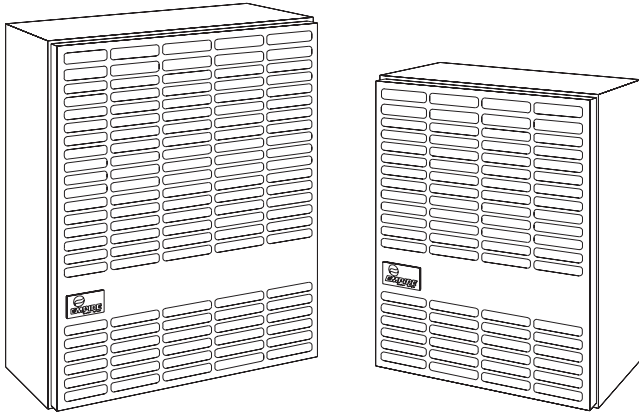
Pour toute question générale concernant nos produits,  
veuillez nous envoyer un courriel à  
[info@empirecomfort.com](mailto:info@empirecomfort.com).

Pour toute question d'entretien ou de réparation,  
veuillez contacter votre concessionnaire.





# INSTRUCCIONES DE INSTALACIÓN Y MANUAL DEL PROPIETARIO



## INSTALADOR:

Dele estas instrucciones al cliente.

## CLIENTE:

Mantenga estas instrucciones como referencia un futuro.

### ⚠ AVERTENCIA

#### PELIGRO DE INCENDIO O EXPLOSIÓN

Si la información en estas instrucciones no se sigue exactamente, se puede producir un incendio o una explosión que cause daños a la propiedad, lesiones personales o la muerte.

- No almacene ni utilice gasolina o cualquier otro líquido o combustible en la proximidad de este o cualquier otro aparato.
- **QUÉ HACER SI HUELE A GAS**
  - No encienda ningún aparato.
  - No encienda ningún interruptor eléctrico; no utilice ningún teléfono en el edificio.
  - Desde el teléfono de un vecino llame inmediatamente a su suministrador de gas y siga sus instrucciones.
  - En caso de no poder comunicarse con su suministrador de gas, llame al Departamento de Bomberos.
- La instalación y el servicio deberán ser desempeñados por una persona capacitada, agencia de servicio o el suministrador de gas.

## CALENTADOR DE PARED DE VENTILACIÓN DIRECTA

### MODELOS

DV210SGXLP-1

DV210SGXNAT-1

DV215SGXLP-1

DV215SGXNAT-1



### ⚠ AVERTENCIA

Si no se instala, opera o no se mantiene según instrucciones del fabricante, este producto podría exponerlo a las sustancias en combustión o de combustión que pueden ocasionar muerte o enfermedad seria.

Este aparato puede instalarse en una casa móvil permanentemente ubicada después de la venta (sólo en EEUU) o casas móviles, donde no lo prohíban códigos estatales o locales.

Este aparato es únicamente para usarse con el tipo de gas indicado en la placa de características. Este aparato no es para convertirse a otro tipo de gas, a menos que un conjunto certificado se use.

# TABLA DE CONTENIDO

SECCIÓN	PÁGINA
Importante Información de Seguridad.....	3
Información de Seguridad para Usuarios de Gas Propano.....	4
Requisitos Para el Estado de Massachusetts .....	5
Introducción.....	6-7
Especificaciones .....	7
Abastecimiento de Gas.....	8
Espacios Libres .....	9
Instrucciones de Instalación .....	9-10
Instrucciones de Encendido.....	11
Características de La Llama del Quemador Principal.....	12
Características de La Llama del Piloto.....	12
Flama Correcta del Piloto.....	11
Flama Correcta del Quemador Principal.....	11
Mantenimiento del Aparato.....	13
Información de Reparación para Personas Calificadas de Servicio .....	14
Como Pedir Partes de Repuesto .....	16
Lista de Partes .....	16
Vista de Partes .....	17
Ventilador Opcional Instrucciones de Instalación.....	18
Garantía .....	19

# IMPORTANTE INFORMACIÓN DE SEGURIDAD

**ESTE ES UN APARATO DE CALEFACCIÓN  
NO OPERE ESTE APARATO SIN EL PANEL FRONTAL INSTALADO.**

- Debido a temperaturas altas, el aparato debería ubicarse fuera del tránsito y lejos de muebles y tapizados.
- Niños y adultos deberían alertarse del peligro de la temperatura alta de superficie y deberían permanecer lejos para evitar ignición de ropa o quemaduras.
- Niños infantes deberían cuidadosamente supervisarse cuando ellos estén en la misma sala con el aparato.
- Ropa u otros materiales inflamables no deben colocarse encima o cerca de este aparato.
- Cualquier pantalla de seguridad o panel que se substituya para su servicio debe reemplazarse antes de operar de nuevo este aparato.
- Mantenga el compartimiento de control y quemador limpios.
- La instalación y la reparación debería ser hecha por una persona calificada de servicio. El aparato debería chequearse antes del uso y por lo menos anualmente por un persona de servicio profesional. Una limpieza más frecuente puede requerirse debido a hilachas de alfombra, materiales de cama, etc. Es imperativo que compartimientos de control, quemadores y pasadizos de aire del aparato se guarden limpios.
- **NO** coloque nada alrededor del calentador que pueda obstruir el flujo de combustión y de respiración de aire.
- **MANTENGA** el área de este aparato libre de material de combustión, gasolina o de otros vapores o líquidos inflamables.
- **EXAMINE** el sistema de respiración periódicamente y substituya las partes dañadas.
- **HAGA** inspecciones visuales periódicas del piloto y los quemadores. Limpie y reemplace cualquier parte dañada.
- No use este calentador de sala si alguna parte ha estado bajo el agua. Inmediatamente llame a un técnico de servicio calificado para que chequee el calentador y para reemplazar cualquier parte del sistema de control y cualquier control de gas que haya estado bajo agua.

# INFORMACIÓN DE SEGURIDAD PARA USUARIOS DE GAS PROPANO

Propano es un gas inflamable el cual puede causar fuegos y explosiones. En su estado natural, el propano no tiene olor ni color. Ud necesita saber todas las siguientes precauciones las cuales lo pueden protegerlo junto con su familia en caso de accidente. Léalas cuidadosamente ahora, luego revíselas de

nuevo punto por punto con los miembros de su casa. Algún día cuando no tenga un minuto que perder, la seguridad de todos dependerá de exactamente que hacer. Si después de leer la siguiente información, siente que necesita más información, por favor, contacte a su suplidor de gas.

## PRECAUCION CON EL OLOR DEL PROPANO GAS

Si ocurriera una fuga de gas, Ud puede olerla ya que al gas propano se le pone un olor a perfume.

¡Esta es su señal para tomar acción inmediata!

- No opere tomacorrientes eléctricos, no encienda fósforos, no use el teléfono. No haga nada que pueda encender el gas.
- Saque a todas las personas afuera del edificio, vehículo, trailer o área. Haga esto INMEDIATAMENTE.
- Cierre todas las válvulas del tanque de gas o suplidor del cilindro.
- El gas propano es más pesado que el aire y se puede estacionar o quedar suspendido en áreas inferiores como en sótanos. Cuando Ud sospeche que exista fuga de gas, manténgase lejos de sótanos u otras áreas inferiores. Quédese afuera hasta que los bomberos las hayan declarado fuera de peligro.
- Use el teléfono de su vecino y llame a un reparador entrenado o al departamento de incendios. Aún cuando Ud deje de oler gas no abra de nuevo el gas. No entre al edificio, al vehículo, trailer o al área.
- **Finalmente**, deje que el reparador y los bomberos verifiquen la fuga de gas. Dígale a ellos que airen el área antes de regresar. Reparadores entrenados deben reparar la fuga, luego deben verificar y encenderle su aparato de gas.

## EL OLOR NO SE DETECTA - EL OLOR DESAPARECE

Alguna gente no puede oler bien. Alguna gente no puede oler el aroma a hediondez química que se le pone al gas. Ud debe averiguar si puede oler el aroma a gas Propano. El fumar puede afectar su habilidad para oler bien. Estar alrededor del aroma por un tiempo puede afectarle su sensibilidad en detectar este aroma. Algunas veces otros aromas en el área detiene el aroma a gas. La gente puede no oler el aroma a gas o sus mentes están en alguna otra cosa. El pensar en oler aroma a gas puede facilitar el oler. El aroma en el gas Propano no tiene color y puede desaparecer en algunas circunstancias. Por ejemplo, si existiera una fuga bajo tierra, el movimiento del gas a través de la tierra puede filtrar el aroma. Aromas en el gas Propano son también sujetos a oxidación.

Esta desaparición puede ocurrir en caso de que existiera herrumbre adentro del tanque de depósito o en la tubería de gas.

El aroma en gas disipado puede absorberse en las paredes, pisos u otros materiales o telas en cuartos. Estos pueden sacar el aroma del gas, lo que reduciría la intensidad del olor.

El gas Propano puede estratificarse (conservarse) en una área cerrada, y la intensidad de su aroma puede variar a diferentes niveles. Como es más pesado que el aire, pueden existir aromas a niveles inferiores. Manténgase bien sensible al menor aroma de gas. Si detecta cualquier olor, trátelo como una fuga de gas. Inmediatamente tome acción apropiada como se le ha indicado en el párrafo anterior.

## PUNTOS PARA RECORDAR

- Aprenda a reconocer el olor a gas Propano. Su vendedor local de gas puede darle a Ud un panfleto de "Rascar y Oler". Uselo para averiguar como es que huele el gas Propano. Si Ud sospecha que su aparato tiene un olor a propano débil o anormal, llame a su vendedor local de gas.
- Si Ud no está calificado, no encienda la llama del piloto, no le dé servicio y no ajuste ningún aparato en el sistema de gas. Si Ud está calificado, consistentemente piense en el aroma u olor antes y durante el encendido de la llama del piloto o cuando le dé servicio o ajuste los aparatos del calentador.
- Algunas veces el sótano o una casa que ha permanecido cerrada tienen olor a humedad que puede bloquear el olor a gas Propano. No trate de encender la llama del piloto, o de darle servicio al aparato, o de ajustar aparatos alrededor donde las condiciones son tales que Ud no pueda detectar el olor en caso que haya habido una fuga de gas.
- Olor puede disiparse, por oxidación de herrumbre o absorción en paredes de cilindros o tanques nuevos. Por consiguiente, las personas deben estar bien alertas y cuidadosas cuando los cilindros y tanques se pongan en servicio. La disipación del olor puede ocurrir en tanques nuevos o en tanques viejos recién instalados, si fueran llenados y se dejan estacionados demasiado tiempo antes que se rellenen. Cilindros y tanques que hayan estado fuera de servicio por algún tiempo pueden desarrollar herrumbre interna lo que puede causar disipación del olor. Si se sospecha que exista esta condición, olfatear periódicamente es recomendable. Si tiene cualquier pregunta acerca del olor de gas, llame a su vendedor de gas Propane. Un olfateo periódico es una buena medida de seguridad en estas condiciones.
- Si, en cualquier momento Ud no huele el aroma del gas Propano, y Ud cree que debería olerlo, asuma que tiene una fuga de gas. Luego tome la acción inmediata que se le recomienda en el párrafo anterior cuando sí se detecta el aroma a gas.
- Si Ud experimenta un "desgase" (el contenedor no está en vapor de presión), cierre la válvula del contenedor inmediatamente. Si la válvula del contenedor se ha dejado abierta, el contenedor puede haber chupado aire a través de aberturas como el orificio de la llama del piloto. Si esto ocurriera, herrumbre interno ha ocurrido. Si la válvula se ha dejado abierta, asuma que el tanque esté como nuevo. Siempre asegúrese que su contenedor esté sometido a presión de vapor, cerrándolo en la válvula del contenedor antes de que se vacíe completamente o rellénelo antes de que esté completamente vacío.

# REQUISITOS PARA EL ESTADO DE MASSACHUSETTS

Para todos los artefactos a gas de pared y tiro balanceado horizontal instalados en cada vivienda, edificio, o estructura, utilizados total o parcialmente para fines residenciales, incluyendo aquellos operados por la Mancomunidad, y donde el sistema de ventilación está a menos de 7 pies (2.13 m) por sobre el nivel del piso del área de ventilación, incluido pero no limitado a cubiertas y porches, deberán cumplir con los siguientes requisitos:

1. **INSTALACION DE DETECTORES DE MONOXIDO DE CARBONO.** Al momento de instalar artefactos a gas de pared y tiro balanceado horizontal, el plomero o instalador deberá estar atento a que haya un detector de monóxido de carbono eléctrico instalado, que incluya alarma y batería de emergencia, a nivel del piso donde el calefactor ha de ser instalado. También, el plomero o instalador deberá estar atento a que haya un detector de monóxido de carbono eléctrico instalado, que incluya alarma y batería de emergencia, en todos los pisos de la vivienda, edificio, o estructura donde se hallen los artefactos mencionados. Será responsabilidad del propietario asegurar que la instalación de los detectores de monóxido de carbono eléctricos sea realizada por profesionales calificados y matriculados
  - a. En caso que el artefacto a gas de pared y tiro balanceado horizontal se instale en espacios poco transitados o áticos, el detector de monóxido de carbono eléctrico, que incluya alarma y batería de emergencia, puede ser instalado en el piso próximo inmediato.
  - b. En caso que los requisitos de esta cláusulas no puedan ser completados al momento de la instalación, el propietario dispondrá de un período de treinta (30) días para completar los requisitos ya mencionados. No obstante ello, durante ese período de treinta (30) días, se deberá instalar un detector de monóxido de carbono eléctrico que incluya alarma.
2. **DETECTORES DE MONOXIDO DE CARBONO APROBADOS.** Cada detector de monóxido de carbono, como requisito y de acuerdo a las cláusulas anteriores, deberá cumplir con las normas NFPA 720 y ANSI/UL 2034 listada y certificada por el IAS.
3. **SEÑALIZACION.** Se colocará un cartel plástico o metálico en el exterior del edificio a una altura mínima de 8 pies (2.45 m) del piso, y directamente por sobre el terminal de ventilación del artefacto a gas de pared y tiro balanceado horizontal. El cartel tendrá caracteres superiores a 1/2 pulgada (13 mm) que exprese la siguiente leyenda: **“GAS VENT DIRECTLY BELOW. KEEP CLEAR OF ALL OBSTRUCTIONS”**.
4. **INSPECCION.** El inspector local o estatal no aprobará la instalación del artefacto a gas de pared y tiro balanceado horizontal a menos que, durante la inspección, haya corroborado la instalación del detector de monóxido de carbono y la colocación de la señalización, conforme a las cláusulas del 248 CMR 5.08(2)(a) 1 al 4.
  - (b) Excepciones: Los siguientes artefactos están exmptos del 248 CMR 5.08(2)(a) 1 al 4:
    1. Los artefactos no listados en el Capítulo 10 titulado “Equipment Not Required To Be Vented” de la más reciente edición del NFPA 54, según aprueba su directorio; y
    2. Producto Aprobado a gas de pared y tiro balanceado horizontal, instalado en una sala o estructura separada de la vivienda, edificio, o estructura, utilizados total o parcialmente para fines residenciales.
  - (c) **REQUISITOS PARA FABRICANTES - COMPONENTES PROVISTOS DE SISTEMA DE VENTILACION.** Cuando el fabricante del Producto Aprobado a gas de pared y tiro balanceado horizontal provea planos o componentes del sistema de ventilación junto al artefacto, deberá también proveer las instrucciones completas que incluyan lo siguiente:
    1. Instrucciones detalladas de planos o instalación de los componentes del sistema de ventilación.
    2. Un completo listado de partes o planos del sistema de ventilación.
  - (e) Una copia de las instrucciones de instalación del Producto Aprobado a gas de pared y tiro balanceado horizontal, que incluya instrucciones acerca de componentes y/o planos del ventilación, con su correspondiente listado de partes, debe ser dejada junto al calefactor luego de su completa instalación.

# INTRODUCCIÓN

## Introducción

Siempre consulte su Departamento local de Construcción con respecto a regulaciones, códigos u ordenaciones que se aplican a la instalación de un calentador de sala.

## Instrucciones al Instalador

1. El instalador debe dejar el manual de instrucciones con el propietario después de la instalación.
2. El instalador debe ver que el propietario llene la tarjeta de garantía que se incluye con el calentador y la mande por correo.
3. El instalador debe mostrarle al propietario como encender y operar el calentador de sala.

### ADVERTENCIA

#### ADVERTENCIA: CUALQUIER CAMBIO A ESTE CALENTADOR O A SUS CONTROLES PUEDE SER PELIGROSO.

Cualquier pantalla de seguridad que se desmonte para atender el aparato debe reemplazarse antes de volver a operar el calentador.

## Información General

Esta familia de calentadores y su diseño están certificados de acuerdo con el American National Standard/CSA Standard Z21.86 y CSA 2.32 por Canadian Standards Association como una estufa de pared de gravedad para ser instalada en una pared externa de acuerdo a estas instrucciones.

Cualquier cambio de diseño, instalación otra que la que se muestra en estas instrucciones o uso con otro tipo de gas que no se mencione en la placa de características es de la responsabilidad de la persona o compañía que hace el cambio.

## Importante

Toda correspondencia debería referirse al número de modelo completo, número de serie y tipo de gas.

**AVISO:** Durante el encendido inicial de esta unidad, la pintura se horneará, y humo aparecerá. Para prevenir que se active la alarma de humo, ventile el cuarto donde se usará este aparato.

## Instalación en Cocheras Residenciales

Cualquier aparato que utilice gas en cocheras residenciales puede ser instalado siempre y cuando todos los quemadores y sus aparatos de encendido sean ubicados a 18 pulgadas (457mm) del piso.

Dicho aparato debe ser ubicado, o protegido contra daño físico producido por un vehículo en movimiento.

## Agencia Calificada de Instalación

(PERSONA CALIFICADA DE SERVICIO)

Instalación y reemplazo de tubería de gas, equipo para la utilización de gas o accesorios, y reparación o mantenimiento de equipo debe hacerse únicamente por una agencia calificada. El término "agencia calificada" significa cualquier individuo, firma, corporación, o compañía la cual en persona o a través de un representante se encargue o sea responsable por (a) la instalación o reemplazo de tubería de gas por (b) la conexión, instalación, reparación, o servicio del equipo, el cual tiene experiencia en este tipo de trabajo y tiene conocimiento de todas las precauciones requeridas, y ha cumplido con todos los requerimientos de las autoridades jurídicas del caso.

Esta instalación debe concordar con códigos locales. En ausencia de códigos locales, la instalación debe concordar con la National Fuel Gas Code, ANSI Z223.1/\* o el código último de instalación CAN/CGA B149. \*Publicada por la American National Standards Institute, Inc., 11 West 42nd St., New York, N.Y. 10036.

## Altitudes Altas

Cuando las altitudes sean más de 2.000 pies (610m), la capacidad de entrada debe reducirse 4% por cada 1.000 pies (305m) de altura sobre el nivel del mar. Altitudes altas en Canada para ubicaciones teniendo una elevación arriba mencionadas significan niveles de mar entre 2.000 pies (610m) y 4.500 (1370m), la presión de entrada debe bajarse de 4.0" w.c. (.996kPa) a 3.2" w.c. (.797kPa) para gas Natural y de 10.0" w.c. (2.49kPa) a 8.0" w.c. (1.99kPa) para gas propano.

## Instalación sobre Alfombras y Tejas

Si este aparato se instala directamente sobre alfombras, azulejos o cualquier otro material combustible a excepción de madera, este aparato debe instalarse sobre un panel de metal o madera que extienda la profundidad y anchura total del aparato.

La base que se menciona arriba no es una base contra fuegos como las que se usan en estufas de leña. La protección es principalmente para alfombras bien gruesas o azulejos de colores claros que puedan descolorarse.

# INTRODUCCIÓN (CONTINUACIÓN)

Cuando se retira o reemplaza un calentador de categoría I existente, es posible que el sistema de ventilación original ya no tenga el tamaño adecuado para ventilar adecuadamente los artefactos conectados. Las instrucciones

también deberán indicar los efectos de un sistema de ventilación de tamaño incorrecto (formación de condensados, fugas, derrames, etc.) y deberán especificar el siguiente procedimiento de prueba:

## ⚠️ ADVERTENCIA

**PELIGRO DE ENVENENAMIENTO POR MONÓXIDO DE CARBONO**  
Si no se siguen los pasos descritos a continuación para cada electrodoméstico conectado al sistema de ventilación que se está poniendo en funcionamiento, podría producirse el envenenamiento por monóxido de carbono o la muerte. Se deben seguir los siguientes pasos para cada aparato conectado al sistema de ventilación que se está poniendo en funcionamiento, mientras que todos los demás aparatos conectados al sistema de ventilación no están en funcionamiento:

1. Selle las aberturas no utilizadas en el sistema de ventilación.
2. Inspeccione el sistema de ventilación para determinar el tamaño adecuado y el paso horizontal, tal como lo exige el Código Nacional de Gas Combustible, ANSI Z223.1 / NFPA 54 o el Código de Instalación de Gas Natural y Propano, CSA B149.1 y estas instrucciones. Determine que no hay obstrucciones o restricciones, fugas, corrosión y otras deficiencias que podrían causar una condición insegura.
3. En la medida de lo posible, cierre todas las puertas y ventanas del edificio y todas las puertas entre el espacio en el que se encuentran los artefactos conectados al sistema de ventilación y otros espacios del edificio.
4. Cierre los amortiguadores de la chimenea.
5. Encienda las secadoras de ropa y cualquier aparato que no esté conectado al sistema de ventilación. Encienda los ventiladores de extracción, como las campanas extractoras y los tubos de escape del baño, para que funcionen a la velocidad máxima. Opere un extractor de verano.
6. Siga las instrucciones de iluminación. Coloque el electrodoméstico inspeccionado en funcionamiento. Ajuste el termostato para que el electrodoméstico funcione continuamente.
7. Abertura de alivio de la campana de tiro después de 5 minutos de funcionamiento del quemador principal. Usa la llama de un fósforo o una vela.
8. Si se observa una ventilación inadecuada durante cualquiera de las pruebas anteriores, el sistema de ventilación debe corregirse de acuerdo con el Código Nacional de Gas Combustible, ANSI Z223.1 / NFPA 54 y / o el Código de Instalación de Gas Natural y Propano, CSA B149.1.
9. Después de que se haya determinado que cada aparato conectado al sistema de ventilación se ventila correctamente cuando se prueba como se describe anteriormente, devuelva las puertas, ventanas, ventiladores de escape, amortiguadores de chimenea y cualquier otro aparato de combustión a gas a sus condiciones de uso anteriores.

## ESPECIFICACIONES

Modelos	DV-210	DV-215
Consumo BTU/HR (KW/H)	10,000 (2.9)	15,000 (4.4)
Altura	21 3/8" (543mm)	24 7/8"(632mm)
Ancho	16 1/4" (413mm)	20 1/4" (514mm)
Profundidad	9 3/8" (239mm)	9 3/8" (239mm)
Entrada de Gas	1/2" (13mm)	1/2" (13mm)
Accesorios Opcionales		
Ventilador	DVB-1	DVB-1
Kits de ventilación de revestimiento de vinilo		
Descripción	Número de modelo	
Conjunto Ventilación para Forro de Vinilo	DV-822	DV-822
Conjunto Ventilación para Forro de Vinilo	VSK-1	VSK-1
Kits De Extensión De Ventilación		
Numero de parte	Descripción	Usado en
TH358	Kit de extensión de ventilación para propano Unidades (13 "-19" Paredes)	DV215GXLP-1
TH357	Kit de extensión de ventilación para propano Unidades (13 "-19" Paredes)	DV215GXNAT-1
Kits De Conversión		
Numero de parte	Descripción	Usado en
17081	Propano a Natural	DV210SGXLP-1
17080	Natural al Propano	DV210SGXNAT-1
17083	Propano a Natural	DV215SGXLP-1
17082	Natural al Propano	DV215SGXNAT-1

# ABASTECIMIENTO DE GAS

La línea de gas puede entrar al aparato ya sea a través del piso o a través de la pared. El agujero para la línea de gas debe hacerse en este momento. La ubicación del agujero debe determinarse considerando la posición de las vigas y la válvula y su unión usada para su servicio.

## Diámetro Recomendado de Tubería

Longitud de Tubería (Pies)	Tubería Diámetro Interno		Tubo, Tipo L Diámetro Externo	
	Natural	Propano	Natural	Propano
0-10 0-3 meters	1/2"	3/8"	1/2"	3/8"
10-40 4-12 meters	1/2"	1/2"	5/8"	1/2"
40-100 13-30 meters	1/2"	1/2"	3/4"	1/2"
100-150 31-46 meters	3/4"	1/2"	7/8"	3/4"

**NOTA:** Nunca use tubería de plástico. Pruebe para confirmar si los códigos locales le permiten usar tubo galvanizado o de cobre.

**NOTA:** Como algunas municipalidades tienen códigos locales adicionales, siempre es mejor consultar los códigos y autoridades locales.

El uso de uno de las siguientes normas de gas son recomendadas:

- ANS Z21.24 Appliance Connectors of Corrugated Metal Tubing and Fittings.
- ANS Z21.45 Assembled Flexible Appliance Connectors of Other Than All-Metal Construction.

Las normas mencionadas arriba, pueden ser usadas siempre y cuando sean aceptadas por las autoridades jurídicas del caso. El Mancomunidad de Massachusetts requiere que el conector flexible del aparato no exceda tres pies en longitud.

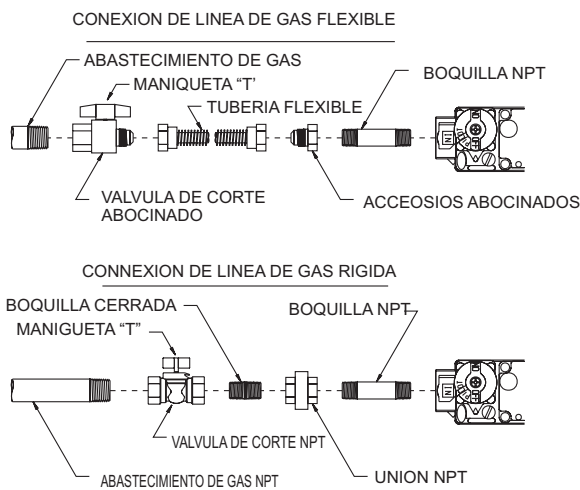


Figura 1

Consulte el presente National Fuel Gas Code, ANSI Z223.1 CAN/CGA-B149 (.1 or .2) código de instalación.

### Instalando una Nueva Llave para Válvula

Cada aparato debe tener su propia llave manual de gas.

La llave manual de gas debe ir localizada en la proximidad del aparato. Cuando no exista esta llave o donde su tamaño o ubicación no se adecuada, contacte el instalador local autorizado para su instalación o reubicación.

Componentes usados en juntas de rosca para tubería de gas deben ser resistentes a la acción de gases licuados derivados del petróleo. Las líneas de gas deben ser inspeccionadas por fugas por el instalador. Esto debe ser hecho con una solución de jabón mirando por posibles burbujas en todas las conexiones expuestas y, si las conexiones no están expuestas, una prueba de presión de gas debe hacerse.

Nunca use una llama expuesta para inspeccionar fugas. El aparato debe desconectarse de la tubería a la salida de la válvula, y sellarse cuando se pruebe la presión de gas. ¡Nunca pruebe la presión de gas estando el calentador conectado; la válvula se dañará!

Una unión para válvula de gas y para la conexión de tierra deben de instalarse en la línea de gas contracorriente de la válvula para ayudar durante su servicio. Se requiere según el National Fuel Gas Code que una línea de gotera sea instalada cerca de la salida de gas. Esta debe consistir en una tubería vertical 'T' conectada a la línea de gas que se selle en el fondo en donde pueda acumularse condensación o partículas foráneas.

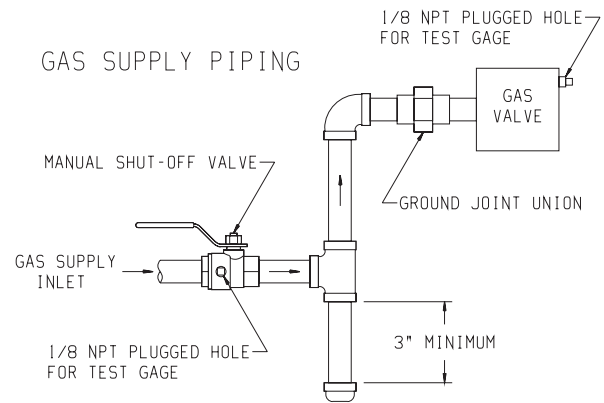


Figura 2

### Metodo de Instalación de Trampa de Sedimento

#### Probando la Presión en el Sistema de Gas

1. Para inspeccionar la presión de entrada de la válvula de gas, una tapón sellado, de 1/8" (3mm) N.P.T. accesible para la conexión del manómetro, debe de colocarse inmediatamente sobre corriente a la conexión del suministro de gas del aparato.
2. Este aparato con su válvula deben desconectarse del sistema de tubería de suministro de gas durante la prueba de presión del sistema si esta presión excede 1/2 psig (3.5 kPa).
3. El aparato debe aislarse del sistema de tubería de suministro de gas cerrando la válvula manual durante cualquier prueba de presión si esta presión es igual o menos que 1/2 psig (3.5 kPa).

Atencion! Si alguno de los procedimientos anteriores resulta en un exceso de presión de 1/2" psig (14" w.c.) (3.5 kPa) en la válvula del aparato, esto causará condiciones de peligro.

#### Inspección de la Presión de Consumo

Modelos para gas Natural tienen una presión de consumo de aproximadamente 4.0" w.c. (.996kPa) a la salida de la válvula con una presión de entrada de la válvula de un mínimo de 5.0" w.c. (1.245kPa) con el propósito de ajuste de entrada a un máximo de 10.5" w.c. (2.615kPa). Modelos para gas Propano tienen una presión de consumo de aproximadamente 10.0" w.c. (2.49kPa) a la entrada de la válvula, con una presión de entrada a la válvula de un mínimo de 11.0" w.c. (2.739kPa) con el propósito de ajuste de entrada a un máximo de 13.0" w.c. (3.237kPa).

Un tapón de 1/8" (3mm) N.P.T. accesible para el manómetro de presión de gas está localizado al lado, a la salida de la válvula de gas.



# ESPACIOS LIBRES

1. Cuando se seleccione una ubicación para instalación, es necesario proveer accesibilidad adecuada para su servicio e instalación correcta.
2. Aun siendo certificado con claridad o en el piso, este aparato es sujetado a la pared por medio de un soporte de pared. Se recomienda por lo menos 2" (51mm) de espacio libre en el evento que se usen o se cambien las cubiertas de piso. Otros espacios libres a materiales combustibles serían:  
Lados 1" (25mm) y 12" (305mm) desde la cima.
3. Note la posición del humero relativa al centro del aparato. El DV-210 tiene el humero en el centro. El humero del DV-215 está localizado 2" (51mm) hacia la derecha del centro del aparato.
4. La distancia mínima desde el centro del casco de ventilación a la esquina exterior más cercana es de 16" (406mm).
5. La profundidad de pared mínima de los DV-210 y DV-215 es de 4 1/2" (114mm), y la máxima es de 13" (330mm). El uso de tubos no suplidos por el fabricante causaría una operación insatisfactoria.

El casco de ventilación de un calentador de ventilación directa con un flujo de gas de 10,000 Btu por hora (3 kW) o menos debe ubicarse a por lo menos 6 pulgadas (150mm) de cualquier abertura de un edificio, y un aparato con un flujo sobre 10,000 Btu por hora (3 kW) pero no sobre 50,000 Btu por hora (14.7 kW) debe instalarse con una claridad y la parte inferior del casco y la entrada de aire debe ubicarse a por lo menos 12 pulgadas (305mm) del nivel más alto y de cualquier pendiente.

### Advertencia:

El punto más cercano del casco de ventilación debe de estar a una mínima distancia horizontal de 6 pies (1.8m) de cualquier regulador de presión o medidor de gas.

# INSTRUCCIONES DE INSTALACIÓN

### Localizando la Abertura en la Pared

Esta calentador debe ubicarse en una pared exterior. Localice los travesaños para que la abertura del aparato se ubique entre estos. Un travesaño puede usarse para montar el soporte interno de pared. La abertura de pared, como se muestra en la Figura 3, requiere un diámetro mínimo de 6 1/4" (159mm). El soporte interno de pared y el soporte externo de pared son suficientemente grandes para permitir un agujero de pared de 8 pulgadas de diámetro (203mm).

Una plantilla viene en la caja del aparato para ubicarlo en la pared. A la mismo vez vea la Figura 3 para ubicar el calentador en la pared y para que localice la línea de conexión del gas.

### Localizando el Suministro de Gas (Ver Figura 1)

La línea de gas puede entrar al aparato ya sea a través del piso o a través de la pared. El agujero para la línea de gas debe hacerse en este momento. La ubicación del agujero debe determinarse considerando la posición de las vigas y la válvula y su unión usada para su servicio.

### Instalando el Soporte Interno de Pared

Después de que la abertura de la pared haya sido cortada, centre y nivele el soporte interno de pared en la abertura. El collar en el soporte debe de ubicarse adentro de la abertura. En pared sólida o travesaños, monte el soporte con (6) tornillos #10 x 1 1/2" (38mm) que vienen en la caja. En paredes de piedra monte el soporte con los mismos tornillos usando además 6 arandelas Tinnerman que vienen en el paquete de tornillos.

### Montando el Aparato al Soporte Interno de la Pared

Alinie y asegure las pinzas de montaje localizadas detrás del aparato a las ranuras del soporte. El soporte inferior del aparato debe de sujetarse también a la pared. En paredes sólidas, sujete el soporte inferior con (1) tornillo #10 x 1 1/2" (38mm) que viene en el paquete. En caso de paredes de piedra sujete este soporte inferior con (1) tornillo articulado del paquete.

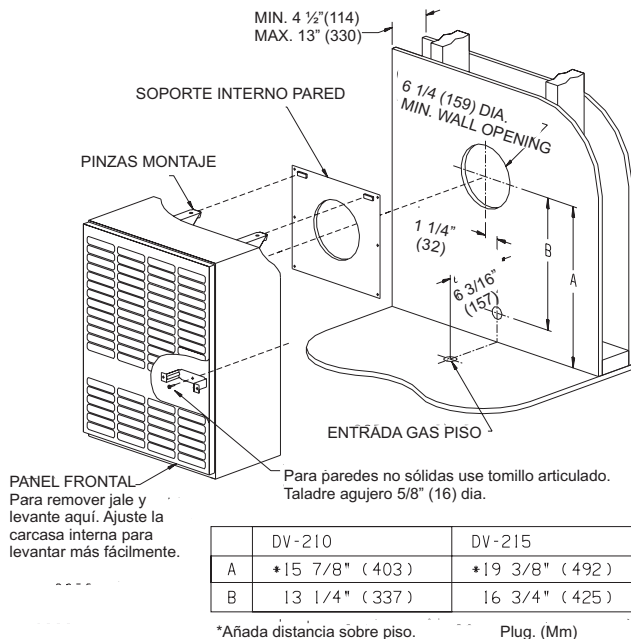


Figura 3

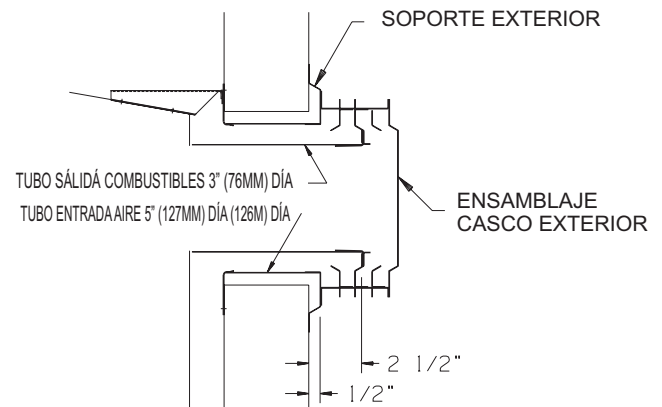


Figura 4

# INSTRUCCIONES DE INSTALACIÓN (CONTINUACIÓN)

## Cortando los Tubos de Ventilación

Esta es la parte más importante de la instalación. Con el calentador instalado en la pared el tubo de entrada de aire de 5" (127mm) de diámetro y el tubo de salida de productos de combustión de 3" (76mm) de diámetro deben marcarse y cortarse de acuerdo a las siguientes instrucciones:

1. Meta el tubo de 5" (127mm) al collar de la carcasa interna. Asegúrese que este tubo se conecte bien adentro del collar. Marque el tubo 1/2" (13mm) más afuera de la pared. Quite el tubo del collar.
2. Meta el tubo de 3" (76mm) al collar de producto de combustión en la cámara de combustión. Asegúrese que este tubo se conecte bien adentro del collar. Marque el tubo 2" (51mm) más afuera de la pared. Quite el tubo del collar.
3. Marque o envuelva con cinta adhesiva alrededor de los puntos marcados para ayudar a cortar los dos tubos. No corrige o agrande los tubos.

## Instalando el Ensamblaje de Ventilación

1. Coloque la recalcadura que no viene con el aparato debajo de la orilla del soporte exterior. Use recalcadura adicional para corregir una superficie de pared irregular, tal como tablilla intercalada.
2. Meta el tubo de 5" (127mm) al collar de la carcasa interna. Coloque el soporte exterior con la recalcadura en el tubo de 5" (127mm). Coloque el soporte exterior en tal forma que el tubo esté levemente inclinado hacia abajo en la punta exterior. La inclinación es necesaria para prevenir la entrada de agua de lluvia. Asegure el soporte exterior con (4) tornillos #10 x 1 1/2" (38mm) que vienen en la caja.
3. Aplique cemento de estufa al collar de 3" (76mm) de la cámara de combustión y al collar de 3" (76mm) del casco. Metá el tubo de 3" (76mm) en el collar de la cámara de combustión. Sujete el casco adentro del tubo de 3" (76mm). Asegure el casco al soporte exterior con (3) tornillos #10 x 1 1/2" (38mm) que vienen con el aparato.
4. La instalación se ha completado.

## Reensamblaje y Resello del Sistema de Ventilación de Aire

Cuando el sistema de ventilación sea desmontado en caso de dársele servicio al aparato, los siguientes pasos asegurarán un reensamblaje y resello correcto del sistema de ventilación.

1. Quite el cemento viejo de estufa de los collares de la cámara de combustión y del casco.
2. Quite la recalcadura vieja que esté debajo de la orilla del soporte exterior. Aplique recalcadura nueva debajo de esta orilla. Use recalcadura adicional para corregir una superficie de pared irregular, tal como tablilla intercalada.
3. Sujete el tubo de 5" (127mm) al collar de la carcasa interna. Coloque el soporte exterior con la recalcadura en el tubo de 5" (127mm). Coloque el soporte exterior en tal forma que el tubo esté levemente inclinado hacia abajo en la punta exterior. La inclinación es necesaria para prevenir la entrada de agua de lluvia. Sujete el soporte exterior con (4) tornillos #10 x 1 1/2" (38mm) que vienen en la caja.
4. Aplique cemento de estufa al collar de 3" (76mm) de la cámara de combustión y al collar de 3" (76mm) del casco. Sujete el tubo de 3" (76mm) en el collar de la cámara de combustión. Sujete el casco adentro del tubo de 3" (76mm). Sujete el casco al soporte exterior con (3) tornillos #10 x 1 1/2" (38mm) que vienen con el aparato.
5. El reensamblaje y el resello del sistema ventilación de aire se ha completado.

## Instalando la Ventilación Cerca de una Vena de Ventana, Otro Tipo de Proyección o en un Forro (vinilo, aluminio, etc.).

Calentadores de ventilación directa están diseñados para ser instalados en una pared externa plana. Cuando el viento viene desde cualquier ángulo (arriba, abajo o desde los lados), necesita pegarle al casco de ventilación equidistantemente sobre tanto la entrada de aire como sobre la salida del producto de combustión. Cualquier proyección, de la pared como una

puerta o ventana, las cuales disturban el viento en un lado de la sección de entrada de aire puede causar una pérdida de presión debilitando la llama y eventualmente apagando el piloto.

Cuando el casco de ventilación se instale en forros o pareciera que una proyección de 6" (152mm) de cualquier lado de la sección de la entrada de aire pudiera desviar la sección de entrada de aire, el conjunto de casco de ventilación debe ser sostenido lejos de la pared a por lo menos la distancia de la proyección. Un marco de 2" x 4" (51mm x 102mm) cuyas dimensiones hagan juego con las dimensiones totales de la lámina de montadura es recomendable. El marco de 2" x 4" (51mm x 102mm) protege el forro de un posible doblez o descoloramiento. Todas la juntas deben sellarse y pintarse. No exceda la profundidad máxima de pared de 13" (330mm) para el DV-210 y el DV-215. (Ver Figura 5)

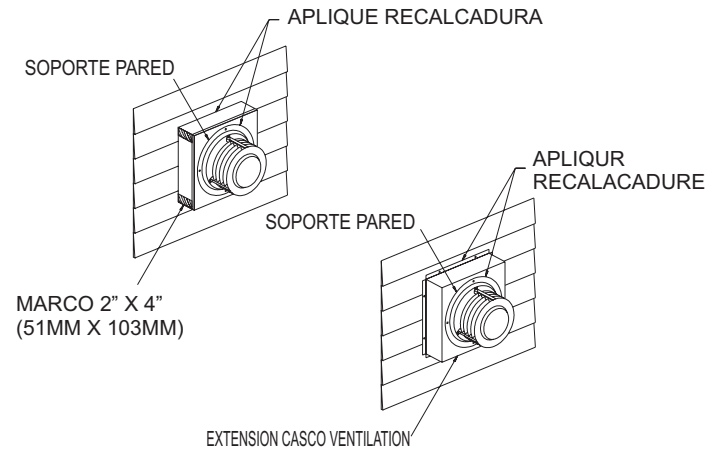


Figure 5a

Un conjunto de ventilación para forros de vinilo, DV-822, es disponible en Empire Comfort Systems, Inc. La profundidad de 3" (76mm), permite al casco de ventilación extenderse hacia afuera del forro o de proyecciones. La profundidad de pared más una profundidad adicional de 3" (76mm) de la extensión del casco del ventilación para el forro de vinilo no debe de exceder la profundidad máxima de pared un total de 13" (330mm) para el DV-210 y para el DV-215. (Ver Figura 5a)

**Precaución:** Cuando el conjunto de ventilación para forros de vinilo, DV-822 o marcos de 2" x 4" (51mm x 102mm) es añadido a una instalación existente (el calentador está instalado) no trate de añadir más secciones de tubo a los tubos de combustión o de aire de entrada. Un sello hermético de aire es necesario para ambos tubos. Consulte la lista de partes, página 14 al ordenar tubos.

# INSTRUCCIONES DE ENCENDIDO


## PARA SU SEGURIDAD LEA ANTES DE ENCENDER

### ⚠ ADVERTENCIA

Si usted no sigue estas instrucciones a la letra, incendio o explosión puede resultar causando daño a la propiedad, lesión a la persona o pérdida de vida.

- A. Este aparato tiene que encenderse con la mano. Cuando encienda el piloto, siga estas instrucciones a la letra.
- B. ANTES DE ENCENDER, huela alrededor del área donde se ubique el calentador por posible olor a gas. Asegúrese de oler cerca del piso, ya que algunos gases son más pesados que el aire y se acentúan en el piso.
- QUE HACER SI HUELE GAS
- No encienda ningún aparato.
  - No toque ningún interruptor eléctrico; no use ningún teléfono en su edificio.
  - Inmediatamente llame a su suplidor de gas desde un teléfono de la vecindad. Prosigua según las instrucciones del suplidor de gas.
- Si no puede comunicarse con su suplidor de gas, llame al Departamento de Incendios.
- C. Use únicamente sus manos para apretar o girar la perilla de control de la válvula. Nunca use herramientas. Si la perilla no se moviera hacia adentro al apretarse o no girara, no trate de repararla y llame a un técnico de servicio calificado. El forzar o reparar puede causar un incendio o explosión.
- D. No use este calentador si alguna de sus partes ha estado bajo agua. Inmediatamente llame a un técnico de servicio calificado para que inspeccione el calentador y que reemplace cualquier parte del sistema de control o cualquier control de gas que haya estado bajo agua.

## INSTRUCCIONES DE ENCENDIDO


1. ¡PARE! Lea la información de seguridad mencionada arriba.
2. Apague todo sistema eléctrico del calentador (si fuera aplicable).
3. Remueva el panel de acceso de control (puerta de control).
4. Apriete la perilla de control de gas levemente y gírela en el sentido de las manillas del reloj  "OFF."




NOTA: La perilla no gira de "PILOT" a "OFF" a menos que se apriete levemente. No la force.

5. Espere diez (10) minutos para el desalojo del gas. Luego huela por posible gas, incluyendo cerca del piso. ¡Si huele a gas, PARE! Siga el paso "B" en la información de seguridad de arriba. Si no huele a gas, prosigua con el próximo paso.
6. Remueva la cubierta del piloto localizada en la cámara de combustión.
7. Localice el piloto. Siga el tubo de metal desde el control de gas. El piloto está detrás de la cubierta de acceso.




8. Gire la perilla de la válvula de gas en dirección opuesta al sentido de las manillas del reloj  hacia "PILOT."
9. Apriete la perilla de control completamente hacia abajo y manténgala en esta posición. Inmediatamente encienda el piloto con la Bujía Encendedora o con un fósforo. Continúe manteniendo la perilla en esta posición por un (1) minuto después de que el piloto se haya encendido. Suelte la perilla y ésta se saltará hacia arriba. El piloto se mantendrá encendido. Si se apagara, repita los pasos de 5 a 9.

- Si la perilla no saltara cuando se suelte, pare e inmediatamente llame a un técnico de servicio o de suministro de gas.
- Si el piloto no se mantuviera encendido después de varios intentos, mueva la perilla hacia "OFF" y llame a un técnico de servicio o de suministro de gas.

10. Coloque la cubierta de acceso del piloto.
11. Rote la perilla de control de gas en dirección opuesta al sentido de las manillas del reloj hacia  "ON."
12. Reemplace el panel de acceso de control (carcasa frontal).
13. Encienda todos los sistemas eléctricos del aparato (si fuera aplicable).
14. PRECAUCION: La cubierta del piloto debe de mantenerse cerrada firmemente durante la operación.

## PARA APAGAR EL GAS AL CALENTADOR

1. Ajuste el termostato a la temperatura más baja.
2. Apague todo sistema eléctrico del calentador si se sometiera el aparato a servicio.
3. Remueva el panel de acceso de control (puerta de control).
4. Apriete la perilla de control de gas levemente y rotela en el

sentido de las manillas del reloj  a "OFF." No la force.

5. Reemplace el panel de acceso de control (puerta de control).

## CARACTERÍSTICAS DE LA LLAMA DEL QUEMADOR PRINCIPAL

La llama del piloto es azul y viaja hacia el quemador principal y la termocupla en forma horizontal. Una punta leve amarilla en la llama es normal. La llama del piloto debe cubrir alrededor y extenderse aproximadamente 1/4" (6mm) más allá de la termocupla y más allá de la primera fila hacia la segunda fila de los orificios del quemador.

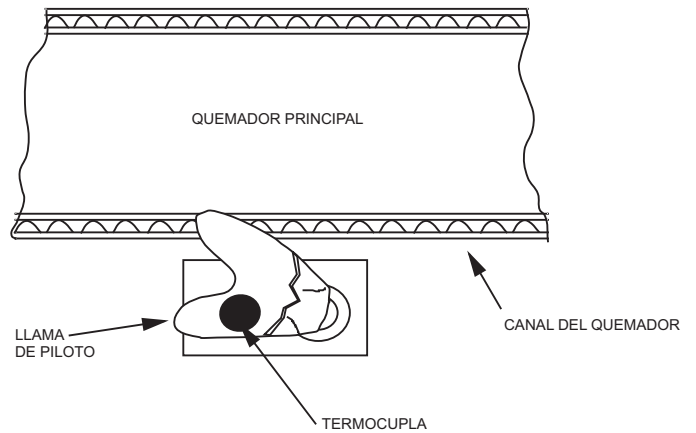


Figura 7

## CARACTERÍSTICAS DE LA LLAMA DEL PILOTO

En el quemador principal, el gas encendido forma una llama primaria y una secundaria. La llama primaria es azul y cerca de 3/16" (5mm) de altura. La llama secundaria es color azul pálido de 3 pulgadas (76mm) a 5 pulgadas (127mm) de altura. Polvo en el aire de combustión producirá una llama anaranjada.

No la confunda con una llama incorrecta.

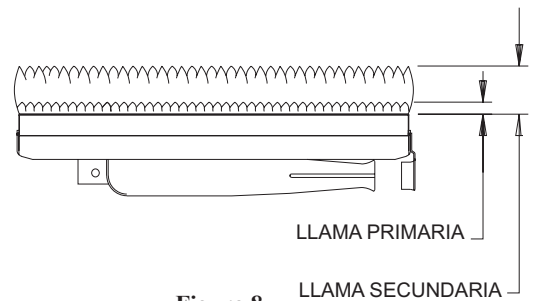


Figura 8

# MANTENIMIENTO DEL APARATO

Estos dispositivo de encendido y apagado son especialmente diseñados para sistemas de generación propia. Nunca deben de usarse en circuitos de línea o de voltaje alto de AC (corriente alterna).

## Instalación del dispositivo de encendido y apagado

Para instalar un dispositivo de encendido y apagado (como un interruptor de pared, un control remoto, un interruptor de palanca o un termostato), retire la tuerca para cables de los dos cables de la válvula. Pase un cable adicional desde los cables de la válvula hacia el dispositivo de encendido y apagado. Instale el dispositivo de encendido y apagado en la misma habitación de la caldera, siguiendo las instrucciones de instalación que se suministran con él. Si no tiene las instrucciones, instale el dispositivo de encendido y apagado de 1,2 a 1,5 m (4 a 5 pies) sobre el suelo en una pared interior que no se vea afectada por otra fuente de calefacción (por ejemplo, una cocina o un calentador de agua) o por la temperatura de una habitación contigua.

## Pasos para Remover el Quemador Principal, el Inyector y la Válvula de Gas

1. Desconecte la termocupla y la línea de alimentación del piloto.
2. Quite la cobertura del quemador. Se sugiere usar una boquilla de 5/8" (8mm) para ésta operación.
3. Quite el tornillo que sujeta el lado izquierdo y levante el quemador.
4. Ahora el quemador está accesible. Use una herramienta de extremo abierto de 1/2" (13mm) para removerlo y aplique recaladura de tubo sin aplicar nada a los inyectores cuando estos se reemplacen.
5. Para remover la válvula de gas entera la tuerca que sujeta el tenedor del inyector a la cámara debe de quitarse y el suministro de gas a la válvula desconectado. Después de esto, la válvula y el codo del inyector pueden quitarse como una sola pieza.

## Limpiando el Quemador del Piloto

Limpiar el piloto debe ser una labor anual por el exceso de telas de araña. Después de remover el tubo de suministro y el inyector, use un limpiador de tubería o alambre para limpiar la entera parte interna del piloto.

## Limpiando la Cámara de Combustión y el Quemador

Cuando el quemador y el casco sean removidos, todas las partes internas de la cámara de combustión son accesibles y se pueden limpiar con una manguera de una aspiradora. El quemador puede limpiarse forzando un caudal considerable de agua adentro de los orificios del quemador y la garganta de este. El quemador debe de secarse calentándolo o usando una secadora. Esto asegura que toda el agua desaparezca antes de reinstalar el quemador.

Es importante utilizar el alambre de una galga apropiada para la longitud del alambre:

### GALGAS RECOMENDADAS DEL ALAMBRE

Longitud Máxima	Galga Del Alambre
1' to 10'	18
10' to 25'	16
25' to 35'	14

Una operación correcta depende de una llama buena del piloto. La llama debe cubrir la punta de la termocupla. El limpiar el inyector del piloto y el quemador son necesarios por las telas de araña.

## Revisión del sistema

Se necesita un medidor de milivoltios para revisar el sistema. Las lecturas de milivoltios deberían ser las siguientes:

- A través de los terminales de la termopila, 400 a 450 milivoltios con el calentador APAGADO.
- A través de los terminales de la termopila, 150 a 250 milivoltios con el calentador ENCENDIDO.
- A través de los cables en la válvula, menos de 30 milivoltios con el calentador ENCENDIDO.

## Instrucciones para el Encendedor del Piloto

El empujar el botón del encendedor completamente causa una chispa en el piloto. Esto substituye el fósforo lo que requiere el abrir la cubierta del piloto.

Para encender el piloto, es importante que el electrodo esté a 1/8" de la termocupla. La chispa debe ocurrir al punto donde la llama del quemador toca la termocupla. La punta del electrodo se pondrá al rojo vivo con el piloto encendido.

En una instalación nueva con aire en la línea de gas, se sugiere que se use un fósforo. El fósforo encenderá el piloto más rápido en estas condiciones.

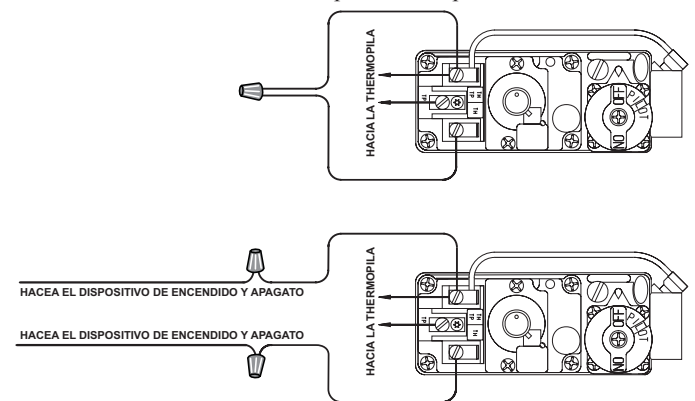


Figure 6

## INFORMACIÓN DE REPARACIÓN PARA PERSONAS CALIFICADAS DE SERVICIO

1. El fósforo se apaga cuando se trata de encender los orificios.
  - a. Ciertas condiciones del viento tenderán a pagar el fósforo. Encienda el fósforo y cuando arda empújelo a través de la abertura.
  - b. Abra una puerta o ventana y reencienda el piloto.
2. El piloto enciende pero se apaga cuando la perilla de la válvula se suelta.
  - a. Ver las Instrucciones de Encendido. Reencienda el piloto.
  - b. Reencienda el piloto y mantenga la perilla de la válvula apretada más largo tiempo y más duro. Cierra la cubierta del agujero del piloto un momento después del encendido. Asegúrese de tener una buena llama en el piloto.
  - c. Una termocupla defectuosa o un magneto defectuoso en la sección de seguridad de la válvula. Reemplace.
3. Llama del piloto amarilla.
  - a. Obstrucción del inyector del piloto.
  - b. Limpie y ajuste el tamaño del inyector del piloto.
4. El piloto y el quemador principal se apagan durante operación normal.
  - a. Verifique las lecturas de milivoltios.
  - b. Inspeccione el tamaño apropiado de la llama del piloto.
  - c. Inspeccione el funcionamiento del termopar. El termopar puede estar defectuoso o débil.
  - d. Verifique el consumo, redúzcalo según sea necesario.
  - e. La cubierta del agujero del piloto debe de estar cerrada firmemente.
  - f. Verifique el sello firme de los tubos de aire y productos de combustión a ambos extremos del ensamblaje de ventilación.
5. Llama del quemador principal amarilla tizne en el casco ventilación.
  - a. Remueva el quemador principal para verificar obstrucciones en la garganta, portillas e inyectores.
  - b. Instale un inyector principal nuevo y un inyector para piloto nuevo. Refiérase a la Lista de Partes, página 14.

Esta página se dejó en blanco intencionalmente.

# COMO PEDIR PARTES DE REPUESTO

Partes de repuesto deben de ordenarse a través de la persona de servicio únicamente. Para mejores resultados, la persona de servicio debe ordenar partes al distribuidor. Partes de repuesto deben de enviarse directamente a la persona de servicio.

Todas las partes listadas tienen un Número de Parte. Cuando pida partes, primero obtenga el Número de Modelo del calentador que se encuentra en la placa de características. Luego averigüe el Número de Parte (no el Número Índice) y la Descripción de cada parte que se puede obtener de la ilustración y lista en la próxima página. Asegúrese de dar toda la siguiente información.

Número Modelo Calentador \_\_\_\_\_ Descripción de Parte \_\_\_\_\_

Número Serie Calentador \_\_\_\_\_ Número de Parte \_\_\_\_\_

Tipo De Gas (Propano o Natural) \_\_\_\_\_

No pida tornillos, arandelas, o tuercas. Estos son artículos comunes de ferretería que se consiguen localmente.

Envíos atrasados por huelgas, incendios o otras causas están más allá de nuestro control.

Empire Comfort Systems, Inc. - Belleville, IL

## LISTA DE PARTES

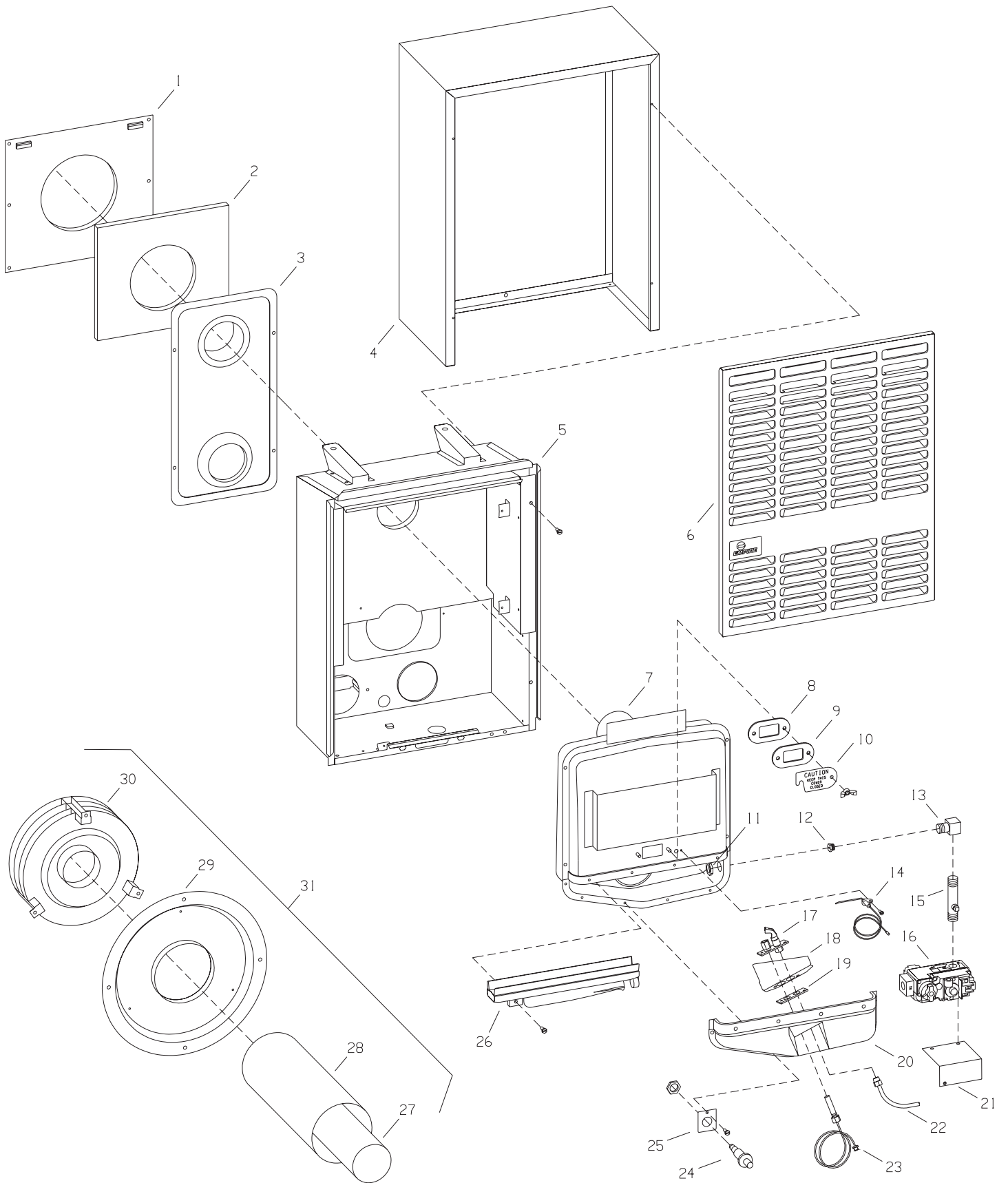
POR FAVOR TOME NOTE: Cuando partes sean ordenadas, es muy importante que el número de parte y la descripción de la parte coincidan.

No. Índice	No. Parte	Descripción	No. Índice	No. Parte	Descripción
1	TH-100	Soporte Interno Pared	18	TH-335	Escudo Piloto
2	TH-104	Empaque	19	712051	Empaque - Piloto Quemador
3	TH-015	Ensamblaje Canaleja Aire - DV-210	20	TH-133	Cobertura Cámara con Empaque - DV-210
3	TH-018	Ensamblaje Canaleja Aire - DV-215	20	TH-134	Cobertura Cámara con Empaque - DV-215
4	11757	Ensamblaje Carcasa Externa - DV-210	21	TH-365	Soporte Válvula
4	11758	Ensamblaje Carcasa Externa - DV-215	22	TH-336	Tubo Piloto - 1/4" (6.4mm) Natural
5	TH-142	Ensamblaje Carcasa Interna - DV-210	22	TH-367	Tubo Piloto - 1/4" (6.4mm) Propano
5	TH-143	Ensamblaje Carcasa Interna - DV-215	23	R1054	Termocupla - Generador
6	TH-008	Ensamblaje Panel Frontal - DV-210	24	R-2708	Generador Bujía
6	TH-009	Ensamblaje Panel Frontal - DV-215	25	TH-289	Soporte Encendedor
7	TH-024	Ensamblaje Cámara Combustión - DV-210	26	TH-275	Ensamblaje Quemador - DV-210
7	TH-027	Ensamblaje Cámara Combustión - DV-215	26	24644	Ensamblaje Quemador - DV-215
8	712098	Empaque - Ensamblaje Cubierta Agujero Encendido	27	TH-109	Tubo Producto Combustión - DV-210, DV-215 3" (76mm) DIA
9	DV-781	Ensamblaje Cubierta Agujero Encendido	28	TH-107	Tubo Entrada Aire - DV-210, DV-215 5" (127mm) DIA
10	DV-064	Lámina Cubierta - Agujero Encendido	29	TH-331	Soporte Exterior
11	852098	Tuerca para Tenedor Inyector	30	TH-334	Casco Ventilación
12	742134	Inyector Quemador - DV-210 Natural	31	TH-123	Conjunto Ventilación - DV-210, DV-215
12	742133	Inyector Quemador - DV-215 Natural			
12	742297	Inyector Quemador - DV-210 Propano	No Se Muestra	742158	Inyector para Piloto - Natural
12	742282	Inyector Quemador - DV-215 Propano	No Se Muestra	R1089	Inyector para Piloto - Propano
13	742038	Tenedor Inyector	No Se Muestra	TH-300	Empaque para Puerta Cámara - DV-210
14	732016	Ensamblaje Electrodo y Cable	No Se Muestra	TH-281	Empaque para Cobertura Cámara - DV-215
15	722049	Tubería	No Se Muestra	TH-351	Paquete Tornillos
16	R-5598	Válvula Gas Completa 7000 MVRLC - Natural			
16	R-5599	Válvula Gas Completa 7000 MVRLC - Propano			
17	R-2890	Piloto Quemador con Inyector - Propano			
17	R-2893	Piloto Quemador con Inyector - Natural			

USE UNICAMENTE PARTES PARA REPUESTO DEL FABRICANTE.  
EL USO DE CUALQUIER OTRA PARTE PUEDE CAUSAR LESION O MUERTE



# VISTA DE PARTES



# VENTILADOR OPCIONAL INSTRUCCIONES DE INSTALACIÓN

## DVB-1 Para Calentador de Pared de Ventilación Directa DV210 y DV215

### VENTILADOR OPCIONAL

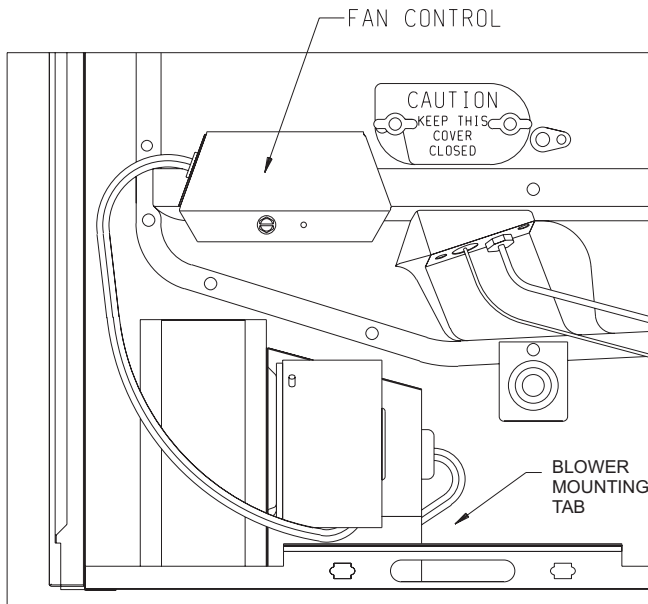


Figura 1

**INSTALANDO EL VENTILADOR OPCIONAL DVB-1** El ventilador debe ser ubicado como se muestra en la Figura 1. Reubique la línea de gas, si fuera necesario, usando el codo tenedor en válvula de gas, y mueva el generador piezo eléctrico al tornillo siguiente. Una ranura en el fondo del paquete del ventilador agarra una lengüeta en el fondo de la carcasa interna y se asegura a ésta con un tornillo en el frente.

#### Instalando la Caja Interruptor

1. Ubicándose en frente de la cámara de combustión, quite (2) tornillos del extremo izquierdo de la cámara.
2. Alíne (2) huecos de claridad de la caja interruptor con los huecos de la cámara de combustión.
3. Inserte y atornille los (2) tornillos que se quitaron en el paso 1 del interruptor y la cámara.
4. Ensamble la cubierta de la caja interruptor con (1) tornillo No. 8 x 1/4".

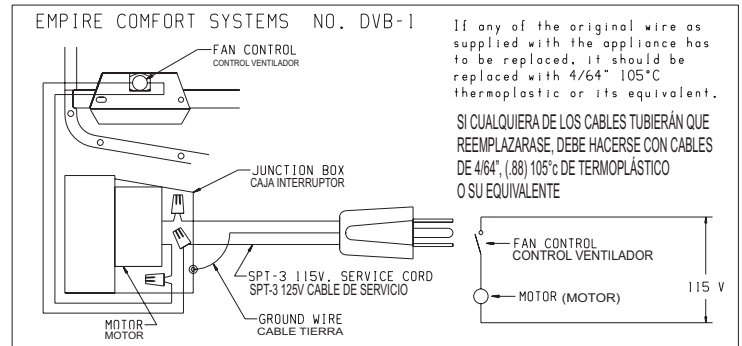
#### Cableaje

El aparato debe de estar conectado a tierra de acuerdo al National Electrical Code ANSI/NFPA 70 Canadian Electrical Code, CSA C22.1. Este Conjunto Ventilador está equipado con un tapón aislado de tierra con tres puntas para su protección contra jalones peligrosos y debe conectarse directamente a un tomacorriente del mismo tipo. No corte o remueva la punta para tierra que tiene el tapón. Se puede también comprar un tapón adaptador con dos puntas y un cable para tierra. El cable para tierra se conecta a un tornillo del tomacorriente. De esta manera el aparato queda conectado a tierra. Un agujero de 7/8" (22mm) se suministra en la caja de empalme para que se use con un conector si lo requirieran los códigos locales de protección.

**CUIDAD:** Marque todos los cables antes de la conexión cuando le dé servicio a los controles. Errores atribuidos a conexión de cables pueden causar una operación incorrecta o peligrosa. Verifique la operación correcta antes de darle servicio.

#### Limpiando la Rueda del Ventilador

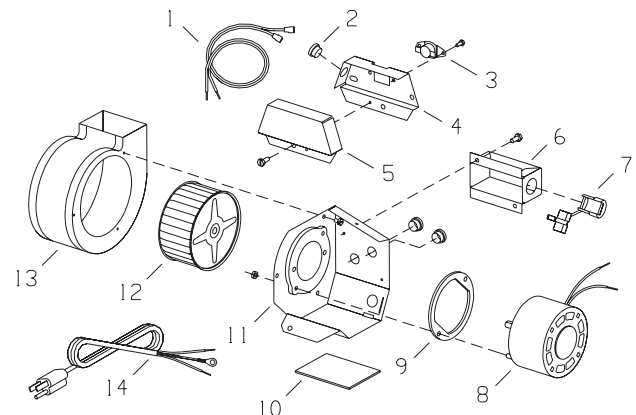
En algunas áreas, tal como cerca de alcobas y en pisos con superficie dura, la rueda puede llenarse de hitasas muy rápidamente. Una inspección visual de la rueda debe de hacerse cada 30 días. El ventilador opera más rápidamente con una rueda sucia, sin embargo mueve menos aire. Remueva el ventilador entero y limpie cada cuchilla de la rueda con un cepillo de dientes tan frecuente como sea necesario.



#### ADVERTENCIA:

Desconectando el ventilador no apaga este calentador. Para apagar el abastecimiento de gas al calentador, apriete la perilla de la válvula levemente y gírela en el sentido de las agujas del reloj hasta "OFF." No la force.

No. Índice	No. Parte	Descripción
1	R-1268	Ensamblaje Cable
2	R-896	Retenedor (Se Requieren 3)
3	R-1156	Control Ventilador
4	DV-806	Caja Interruptor
5	DV-807	Cubierta Caja Interruptor
6	TH-111	Caja de Empalme
7	R-1410	Retenedor
8	R-285	Motor
9	R-587	Amortiguador Motor
10	TH-341	Amortiguador Ventilador
11	TH-356	Ensamblaje
12	R-319	Rueda Ventilador
13	TH-135	Envoltura Ventilador
14	R-315	Cable Entrada



# GARANTÍA

Empire Comfort Systems Inc. garantiza que este producto de calefacción ambiental se encuentra libre de defectos al momento de la compra y por los períodos que se especifican a continuación. Un técnico calificado debe instalar los productos de calefacción ambiental y estos se deben mantener y operar de manera segura, según las instrucciones que aparecen en el manual del propietario. La presente garantía se aplica sólo al comprador original y no es transferible. Todas las reparaciones de la garantía las debe realizar un técnico calificado de artefactos a gas.

## **Garantía limitada por 10 años para piezas: Cámara de combustión**

Empire promete al propietario que si la cámara de combustión (consulte la lista de piezas) falla debido a defectos de fabricación o materiales defectuosos, en un período de diez años a partir de la fecha de compra, Empire la reparará o reemplazará según su criterio.

## **Garantía limitada por un año para piezas – Controles remotos, termostatos, accesorios y piezas**

En caso de que alguna pieza del control remoto, del termostato, de un accesorio o de otra parte falle debido a fabricación defectuosa, en un período de un año a partir de la fecha de compra, Empire la reparará o reemplazará según su criterio.

## **Deberes del propietario**

El artefacto lo debe instalar un técnico calificado y se debe operar según las instrucciones escritas que se proporcionan con el artefacto. Se debe conservar un comprobante de venta, un cheque cancelado o un registro de pago para verificar la fecha de compra y establecer el período de garantía. Acceso fácil al artefacto para su mantenimiento.

## **Lo que no cubre la garantía**

Daños que pudieran ocurrir por el uso, uso indebido o instalación inadecuada de este artefacto.  
Los costos de traslado y de diagnóstico y los cargos por flete de las piezas en garantía hacia y desde la fábrica.  
Reclamaciones que no impliquen defectos de fabricación ni materiales defectuosos.  
Mantenimiento o cambio de piezas no autorizados.  
Costos de remoción y de nueva instalación.  
Que no pueda funcionar debido a mantenimiento inadecuado o falta de mantenimiento.

## **Cómo obtener mantenimiento**

Para que su artefacto reciba mantenimiento de acuerdo a esta garantía se debe comunicar con su distribuidor Empire. (Consulte el directorio telefónico o llame al código de área 877-459-1583, Departamento de Relaciones con el Cliente, Empire Comfort Systems, Inc.) Entregue al distribuidor la información correspondiente al número de modelo, número de serie, tipo de gas y la comprobación de la compra.

Si luego de comunicarse con su distribuidor de Empire no está satisfecho con el servicio recibido, comuníquese con: Departamento de Relaciones con el Cliente, Empire Comfort Systems, Inc., PO Box 529, Belleville, Illinois 62222, o bien, llame al código de área 877-459-1583 para obtener ayuda.

## **Sus derechos según la ley estatal**

La presente garantía le otorga derechos legales específicos y es posible que también tenga otros derechos que pueden variar de un estado a otro.



SINCE 1932

**Empire Comfort Systems Inc.**  
**Belleville, Illinois**

Si Ud tiene una pregunta general acerca de nuestros productos por favor envíenos un correo al [info@empirecomfort.com](mailto:info@empirecomfort.com).

Si Ud tiene una pregunta de servicio o de repuestos favor de llamar donde Ud compró el aparato.

**[www.empirecomfort.com](http://www.empirecomfort.com)**