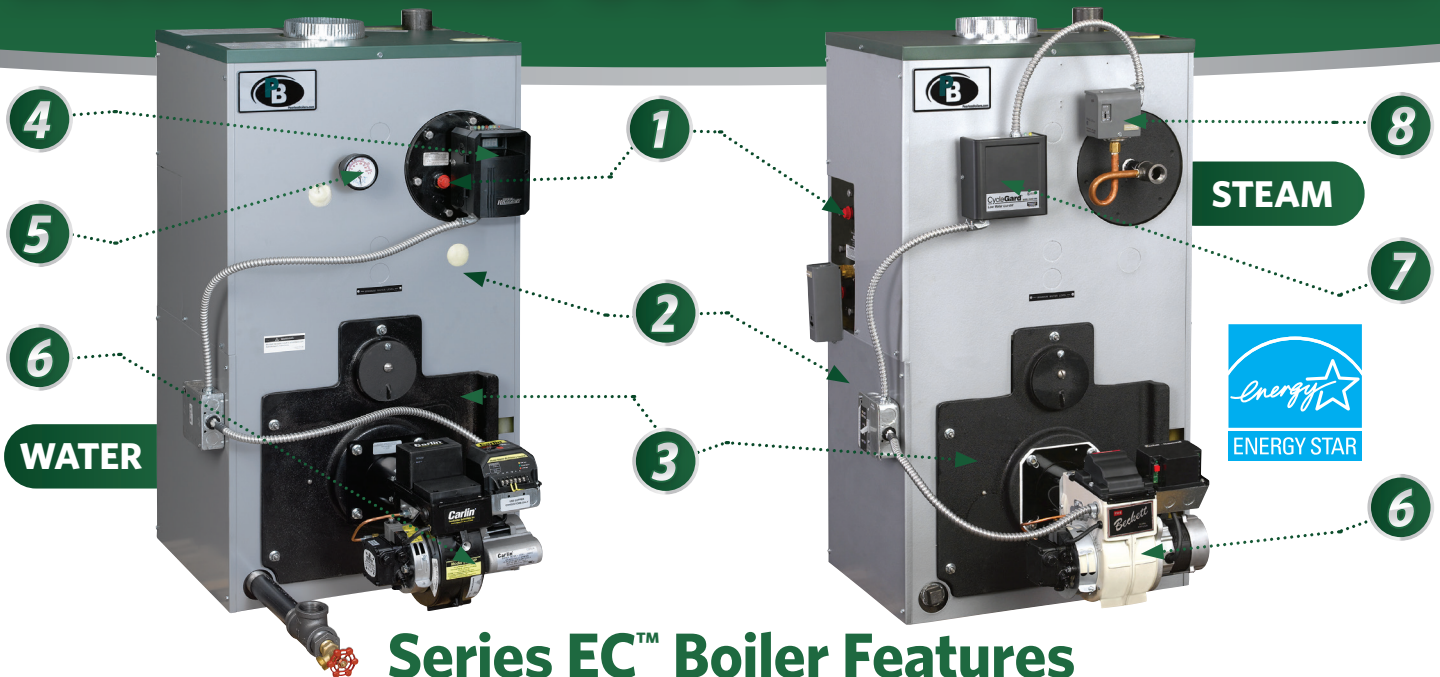




# Series EC™ Residential Oil Boiler with Optional Tankless Heater



## Series EC™ Boiler Features

- ✓ **Up to 87.6% AFUE - ENERGY STAR® Certified!\*** \*certain firing rates
- ✓ **All Models - DOE 2021 Compliant!**
- ✓ **Natural Draft (Chimney) Venting**
- ✓ **High Efficiency, Flame Retention Burners**  
Choice of Beckett, Carlin or Riello ⑥
- ✓ **9 Sizes Available (3-6 sections)**  
Packaged or Knockdown Boilers
- ✓ **Cast Iron Sections**  
Factory Tested and Assembled with Steel Push Nipples
- ✓ **Large Water Content, Wet Base Section Design**  
Ideal for Steam and Large Volume Hot Water Applications
- ✓ **Insulated, Deluxe Powder Coated Steel Jacket**  
Reduces Boiler Heat Loss ②
- ✓ **Full Plate Swing-Out Door**  
For Quick and Easy Cleaning ③
- ✓ **Optional Tankless Coils for Domestic Hot Water ①**

## Standard Equipment

- |              |  |              |   |   |
|--------------|--|--------------|---|---|
| <b>WATER</b> | <ul style="list-style-type: none"> <li>✓ <b>Boiler Reset Control with Low Water Cut-off (HydroStat 3250)</b> for Increased Efficiency and Safety ④</li> <li>✓ <b>Taco Circulator</b></li> <li>✓ <b>Temperature-Pressure Gauge ⑤</b></li> </ul> | <b>STEAM</b> | <ul style="list-style-type: none"> <li>✓ <b>Probe Type LWCO** ⑦</b></li> <li>✓ <b>Pressure Control ⑧</b></li> <li>✓ <b>Skim Tapping</b></li> <li>✓ <b>Pressure Gauge</b></li> </ul> | <ul style="list-style-type: none"> <li>✓ <b>Drain Valve</b></li> <li>✓ <b>Service Switch**</b></li> <li>✓ <b>Barometric Draft Damper</b></li> </ul> |
|--------------|--|--------------|---|---|

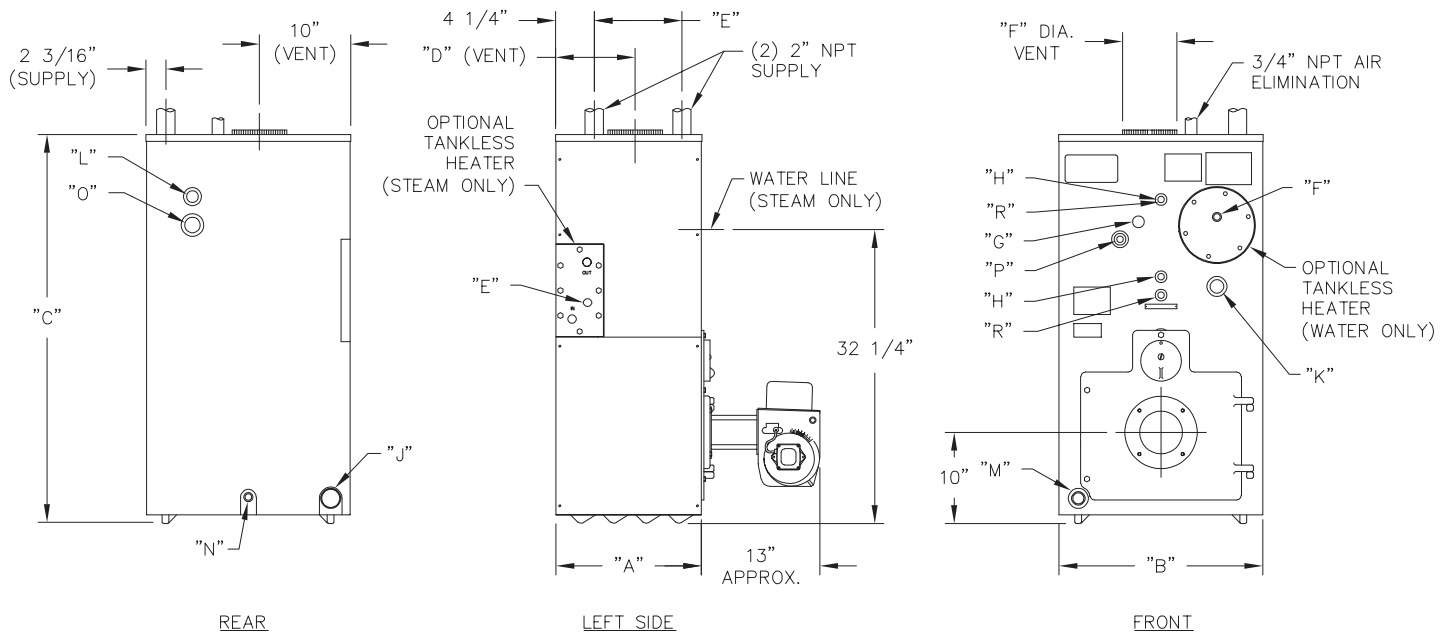
\*\*Packaged Boilers

[PeerlessBoilers.com](http://PeerlessBoilers.com)

**LIFETIME WARRANTY**

All residential cast iron boilers include a full one-year warranty. A limited, lifetime warranty is provided for the cast iron sections of Peerless® residential hot water boilers. A limited, ten-year warranty is provided on the cast iron sections of residential steam boilers. Visit [PeerlessBoilers.com](http://PeerlessBoilers.com) for complete details.

# Technical Information



## TAPPING LOCATIONS

LWCO = Low Water Cut-off

Location	Size NPT	Steam	Water
E	3/4"	Low Limit Control	N/A
F	3/4"	Pressure Gauge	Limit Control
G	1/4"	N/A	Temperature-Pressure Gauge
H	1/2"	Gauge Glass and Float LWCO	N/A
J	2"	Return	Alternate Return
K	3/4"	Secondary Probe LWCO	N/A
L	3/4"	Safety Valve	Safety Relief Valve
M	1-1/4"	N/A	Return
N	3/4"	Drain Valve	Drain Valve
O	1-1/2"	Skim Tapping	Optional High Limit
P	3/4"	Primary Probe LWCO	N/A
R	1/2"	Gauge Glass for Primary Probe LWCO	N/A

## BOILER DIMENSIONS

Boiler Model Number	Jacket Depth "A"	Jacket Width "B"	Jacket Height "C"	Rear of Jacket to c/l of Vent "D"	Distance Between Supply Tappings "E"	Vent Size "F" Dia.
EC(T)-e-03	15-3/4"	22-1/2"	42"	8-3/4"	9-1/16"	6"
EC(T)-e-04	19-15/16"	22-1/2"	42"	10-7/8"	13-1/4"	7"
EC(T)-e-05	24-1/8"	22-1/2"	42"	13"	17-7/16"	8"
EC(T)-06	28-5/16"	22-1/2"	42"	15-1/16"	21-5/8"	9"

## SERIES EC™ BOILER RATINGS

Boiler Model Number	Input		Output <sup>3,4</sup> MBH		Net Ratings <sup>2</sup>			AFUE <sup>3</sup> , %		Therm. Eff. <sup>4</sup> %	Comb. Eff. %	Water Content, gal		Minimum Stack Draft Required
	GPH <sup>1</sup>	MBH	Water	Steam	Steam Sq. Ft.	Steam, MBH	Water, MBH	Water	Steam			Water	Steam	
EC(T)-e-03-075	0.75	105	93	92	288	69	81	87.6*	86.5	-	-	17.40	14.16	-03
EC(T)-e-03-100	1.00	140	122	121	379	91	106	86.5	85.5	-	-	17.40	14.16	-04
EC(T)-e-04-125	1.25	175	153	152	475	114	133	86.5	85.4	-	-	21.72	17.28	-03
EC(T)-e-04-150	1.50	210	183	181	567	136	159	86.3	85.5	-	-	21.72	17.28	-04
EC(T)-e-05-175	1.75	245	215	213	667	160	187	86.8	85.5	-	-	26.04	20.40	-03
EC(T)-e-05-200	2.00	280	243	242	758	182	211	86.2	85.0	-	-	26.04	20.40	-04
EC(T)-05-250=	2.40	336	279	279	872	209	243	-	-	83.0	85.1	26.04	20.40	-05
EC(T)-06-275=	2.75	385	321	321	1004	241	279	-	-	83.3	84.4	30.36	23.52	-04
EC(T)-06-300=	3.00	420	347	347	1083	261	302	-	-	82.5	83.7	30.36	23.52	-05

\* As an ENERGY STAR® Partner, PB Heat, LLC has determined that these firing rates meet the ENERGY STAR® guidelines for energy efficiency.

1 All chimneys are 8" x 8" x 20' except those models denoted with (=), which are 8" x 12" x 20'.

2 Burner input based on No. 2 fuel oil with a heating value of 140,000 Btu per gallon.

3 Net water ratings based on an allowance of 1.15, net steam ratings based on an allowance of 1.333. Consult Factory before selecting a boiler for installations having unusual piping and pickup requirements, such as intermittent system operation, extensive piping systems, etc.

4 Output is Heating Capacity for models with inputs <300 MBH and Gross Output for models with inputs ≥300 MBH. Heating Capacity and Annual Fuel Utilization Efficiency (AFUE) ratings are based on U.S. Government tests.

5 Thermal efficiency and gross output are determined in accordance with ANSI/AHRI Standard 1500.



PeerlessBoilers.com

CUT-EC R8 (1/21-5M)  
Printed in U.S.A.  
©2021 PB Heat, LLC. All rights reserved