

EXPANSION VALVE COILS

EAM4X, EAD4X, and EAA4X

- 1-1/2 thru 5 Tons
- Bolt-on R-410A TXV metering device factory installed on all models (equalizer tube brazed in)
- TXV and manifold positioned to the side for easier cleaning
- Innovative drain pan design for complete water removal
- 2-piece delta plate for easier removal and cleaning
- Cabinet widths match flush with Tempstar gas furnaces
- Removable front access panel
- Hemmed flanges for safer handling
- Foil faced insulation
- Non-sweat cabinet, even at extreme conditions
- Cabinets meet or exceed 2% air leakage codes
- Sturdy, 22 gauge, pre-painted steel cabinet
- One or two UV light knock-outs provided on cabinet (depending on size)
- Aluminum main tubing and aluminum fins (copper stubs for field connection).

EAM4X only

- Two condensate drain connections (Additional two for horizontal installation)
- Multiposition installation – upflow, downflow, or horizontal

EAD4X and EAA4X only

- Vertical installation – upflow or downflow

LIMITED WARRANTY* (EAM4X, EAD4X, EAA4X)

- 5 year parts limited warranty
- With timely registration, an additional 5 year parts limited warranty

* For residential applications only. See warranty certificate for complete details and restrictions, including warranty coverage for other applications.



Use of the AHRI Certified TM Mark indicates a manufacturer's participation in the program. For verification of certification for individual products, go to www.ahridirectory.org .

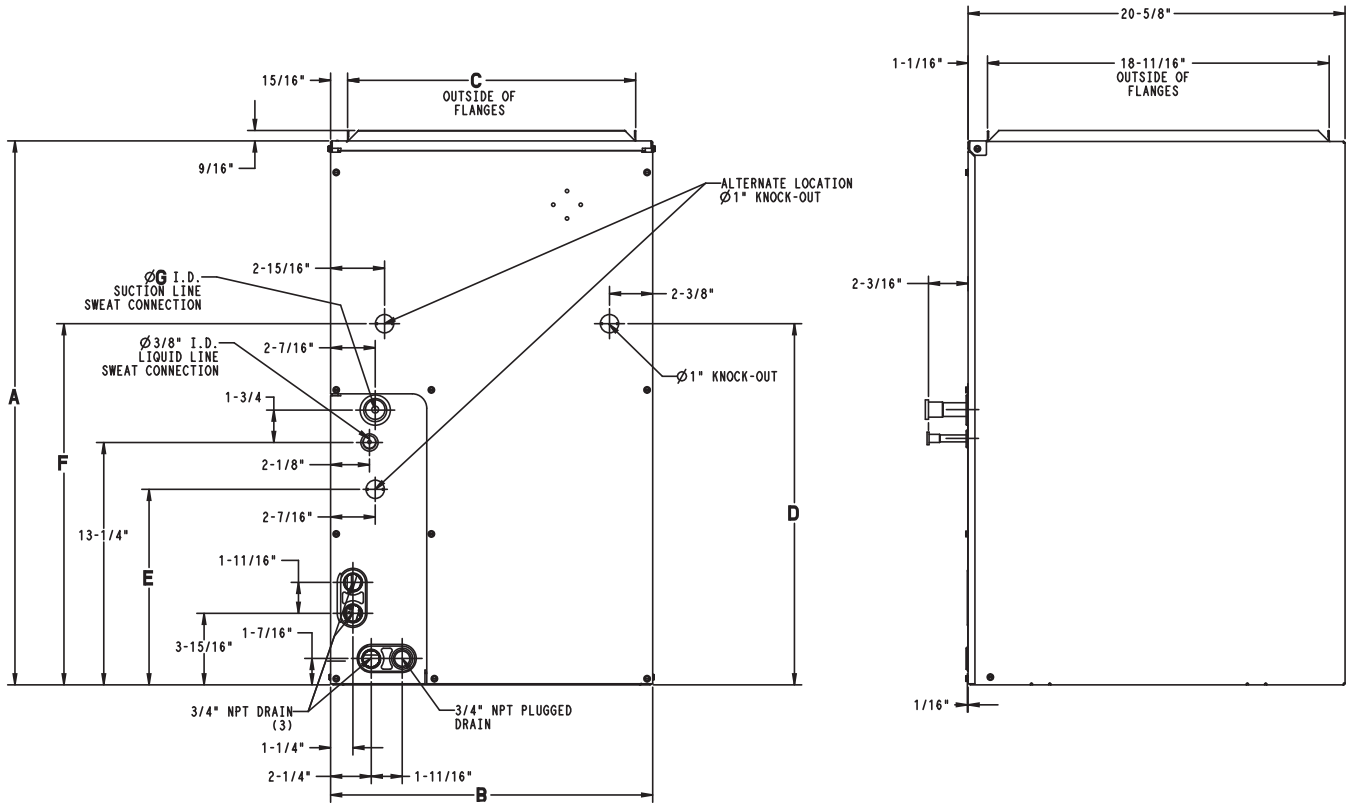


PRODUCT SPECIFICATIONS				
MODEL NUMBER	TONS	FLUSH FIT TO FURNACE WIDTH inches (mm)	COIL CONNECTION TUBE SIZE inches (mm)	
			Liquid	Suction
EAM4X18L14A	1 – 1/2	14 – 3/16 (360)	3/8 (10)	5/8 (16)
EAM4X19L17A	1 – 1/2	17 – 1/2 (445)	3/8 (10)	3/4 (19)
EAM4X24L14A	2	14 – 3/16 (360)	3/8 (10)	5/8 (16)
EAM4X24L17A	2	17 – 1/2 (445)	3/8 (10)	5/8 (16)
EAM4X25L17A	2	17 – 1/2 (445)	3/8 (10)	3/4 (19)
EAM4X30L14A	2 – 1/2	14 – 3/16 (360)	3/8 (10)	3/4 (19)
EAM4X30L17A	2 – 1/2	17 – 1/2 (445)	3/8 (10)	3/4 (19)
EAM4X36L14A	3	14 – 3/16 (360)	3/8 (10)	3/4 (19)
EAM4X36L17A	3	17 – 1/2 (445)	3/8 (10)	3/4 (19)
EAM4X36L21A	3	21 (533)	3/8 (10)	3/4 (19)
EAM4X37L17A	3	17 – 1/2 (445)	3/8 (10)	3/4 (19)
EAM4X37L21A	3	21 (533)	3/8 (10)	7/8 (22)
EAM4X42L21A	3 – 1/2	21 (533)	3/8 (10)	7/8 (22)
EAM4X42L24A	3 – 1/2	24 – 1/2 (622)	3/8 (10)	7/8 (22)

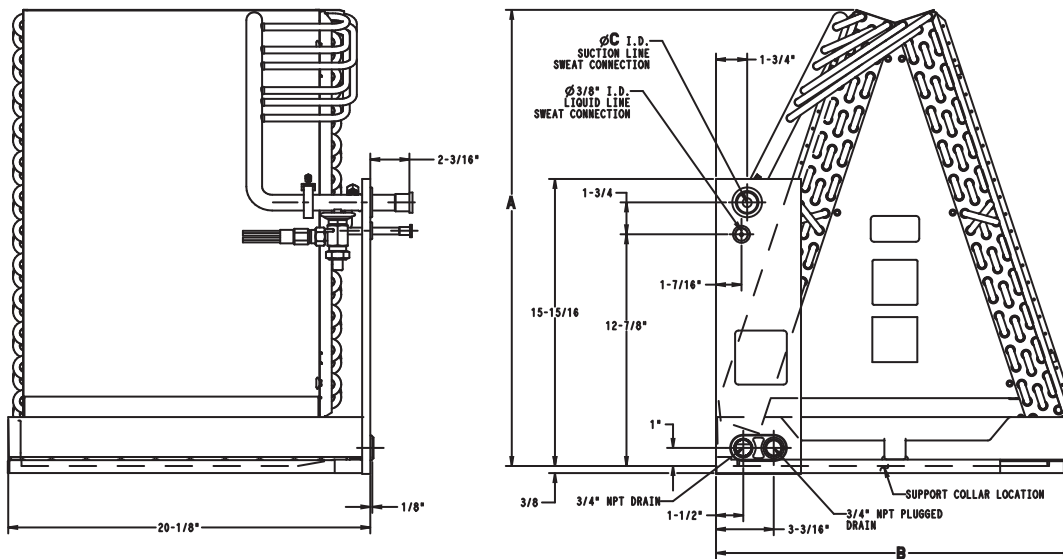
PRODUCT SPECIFICATIONS				
MODEL NUMBER	TONS	FLUSH FIT TO FURNACE WIDTH inches (mm)	COIL CONNECTION TUBE SIZE inches (mm)	
			Liquid	Suction
EAM4X43L21A	3 – 1/2	21 (533)	3/8 (10)	7/8 (22)
EAM4X48L17A	4	17 – 1/2 (445)	3/8 (10)	7/8 (22)
EAM4X48L21A	4	21 (533)	3/8 (10)	7/8 (22)
EAM4X48L24A	4	24 – 1/2 (622)	3/8 (10)	7/8 (22)
EAM4X60L21A	5	21 (533)	3/8 (10)	7/8 (22)
EAM4X60L24A	5	24 – 1/2 (622)	3/8 (10)	7/8 (22)
EAM4X61L24A	5	24 – 1/2 (622)	3/8 (10)	7/8 (22)
EAD4X				
EAD4X19L17A	1 – 1/2	17 – 1/2 (445)	3/8 (10)	3/4 (19)
EAD4X25L17A	2	17 – 1/2 (445)	3/8 (10)	3/4 (19)
EAD4X37L17A	3	17 – 1/2 (445)	3/8 (10)	3/4 (19)
EAD4X37L21A	3	21 (533)	3/8 (10)	7/8 (22)
EAD4X43L21A	3 – 1/2	21 (533)	3/8 (10)	7/8 (22)
EAD4X61L24A	5	24 – 1/2 (622)	3/8 (10)	7/8 (22)
EAA4X				
EAA4X18L14A	1 – 1/2	13 (330)	3/8 (10)	5/8 (16)
EAA4X24L14A	2	13 (330)	3/8 (10)	5/8 (16)
EAA4X24L17A	2	16 – 5/16 (414)	3/8 (10)	3/4 (19)
EAA4X30L14A	2 – 1/2	13 (330)	3/8 (10)	5/8 (16)
EAA4X30L17A	2 – 1/2	16 – 5/16 (414)	3/8 (10)	3/4 (19)
EAA4X36L17A	3	16 – 5/16 (414)	3/8 (10)	3/4 (19)
EAA4X36L21A	3	19 – 13/16 (503)	3/8 (10)	3/4 (19)
EAA4X42L21A	3 – 1/2	19 – 13/16 (503)	3/8 (10)	7/8 (22)
EAA4X48L21A	4	19 – 13/16 (503)	3/8 (10)	7/8 (22)
EAA4X48L24A	4	23 – 5/16 (592)	3/8 (10)	7/8 (22)
EAA4X60L24A	5	23 – 5/16 (592)	3/8 (10)	7/8 (22)

COIL MODEL NUMBER IDENTIFICATION GUIDE										
DIGIT POSITION	1	2	3	4	5	6, 7	8	9, 10	11	12
	E	A	M	4	X	18	L	14	A	1
E = Evaporator										
A = A Coil		TYPE								
M = Cased, Multiposition (Upflow/Downflow/Horizontal)										
D = Cased, Vertical (Upflow/Downflow)										
A = Uncased, Vertical (Upflow/Downflow)		INSTALLATION								
4 = Environmentally Sound R-410A				REFRIGERANT						
X = TXV				METERING DEVICE						
18 = 18,000 BTUH = 1-1/2 tons										
19 = 18,000 BTUH = 1-1/2 tons										
24 = 24,000 BTUH = 2 tons										
25 = 24,000 BTUH = 2 tons										
30 = 30,000 BTUH = 2-1/2 tons										
36 = 36,000 BTUH = 3 tons										
37 = 36,000 BTUH = 3 tons										
42 = 42,000 BTUH = 3-1/2 tons										
43 = 42,000 BTUH = 3-1/2 tons										
48 = 48,000 BTUH = 4 tons										
60 = 60,000 BTUH = 5 tons										
61 = 60,000 BTUH = 5 tons						NOMINAL CAPACITY				
L = Aluminum								HAIRPIN MATERIAL		
14 = 14-3/16"										
17 = 17-1/2"										
21 = 21"										
24 = 24-1/2"										WIDTH (matches furnace)
Sales Digit (Major Revision)										
Engineering Digit (Minor Revision)										

EAM4X and EAD4X



EAA4X



A05393

DIMENSIONAL DATA

UNIT	A in.(mm)	B in.(mm)	C in.(mm)	D in.(mm)	E in.(mm)	F in.(mm)	G in.(mm)	SHIPPING WT. lbs (kg)
EAM4X18L14A	25-13/16 (656)	14-3/16 (36)	12-7/16 (316)	17-3/16 (437)	10-11/16 (263)	-	5/8 (16)	50.5 (23)
EAM4X19L17A	25-13/16 (656)	17-1/2 (445)	15-3/4 (400)	17-3/16 (437)	-	19-3/4 (502)	3/4 (19)	64.5 (29)
EAM4X24L14A	25-13/16 (656)	14-3/16 (36)	12-7/16 (316)	17-3/16 (437)	10-11/16 (263)	-	5/8 (16)	52.5 (24)
EAM4X24L17A	25-13/16 (656)	17-1/2 (445)	15-3/4 (400)	10-11/16 (263)	10-11/16 (263)	-	5/8 (16)	56.5 (26)
EAM4X25L17A	29-3/4 (757)	17-1/2 (445)	15-3/4 (400)	19-3/4 (502)	-	19-3/4 (502)	3/4 (19)	71.0 (32)
EAM4X30L14A	25-13/16 (656)	14-3/16 (36)	12-7/16 (316)	17-3/16 (437)	-	19-3/4 (502)	3/4 (19)	58.0 (26)
EAM4X30L17A	25-13/16 (656)	17-1/2 (445)	15-3/4 (400)	17-3/16 (437)	-	19-3/4 (502)	3/4 (19)	64.5 (29)
EAM4X36L14A	29-3/4 (757)	14-3/16 (36)	12-7/16 (316)	19-3/4 (502)	-	19-3/4 (502)	3/4 (19)	65.0 (29)
EAM4X36L17A	29-3/4 (757)	17-1/2 (445)	15-3/4 (400)	19-3/4 (502)	-	19-3/4 (502)	3/4 (19)	71.0 (32)
EAM4X36L21A	29-3/4 (757)	21 (533)	19-1/4 (489)	19-3/4 (502)	-	19-3/4 (502)	3/4 (19)	73.0 (33)
EAM4X37L17A	25-13/16 (656)	17-1/2 (445)	15-3/4 (400)	17-3/16 (437)	-	19-3/4 (502)	3/4 (19)	64.5 (29)
EAM4X37L21A	29-3/4 (757)	21 (533)	19-1/4 (489)	19-3/4 (502)	-	19-3/4 (502)	7/8 (22)	84.0 (38)
EAM4X42L21A	29-3/4 (757)	21 (533)	19-1/4 (489)	19-3/4 (502)	-	19-3/4 (502)	7/8 (22)	78.0 (35)
EAM4X42L24A	29-3/4 (757)	24-1/2 (622)	22-3/4 (578)	19-3/4 (502)	-	19-3/4 (502)	7/8 (22)	82.0 (37)
EAM4X43L21A	29-3/4 (757)	21 (533)	19-1/4 (489)	19-3/4 (502)	-	19-3/4 (502)	7/8 (22)	84.0 (38)
EAM4X48L17A	35 (889)	17-1/2 (445)	15-3/4 (400)	19-3/4 (502)	-	19-3/4 (502)	7/8 (22)	91.0 (41)
EAM4X48L21A	29-3/4 (757)	21 (533)	19-1/4 (489)	19-3/4 (502)	-	19-3/4 (502)	7/8 (22)	84.0 (38)
EAM4X48L24A	29-3/4 (757)	24-1/2 (622)	22-3/4 (578)	19-3/4 (502)	-	19-3/4 (502)	7/8 (22)	88.5 (40)
EAM4X60L21A	35 (889)	21 (533)	19-1/4 (489)	19-3/4 (502)	-	19-3/4 (502)	7/8 (22)	96.0 (44)
EAM4X60L24A	35 (889)	24-1/2 (622)	22-3/4 (578)	19-3/4 (502)	-	19-3/4 (502)	7/8 (22)	101.0 (46)
EAM4X61L24A	35 (889)	24-1/2 (622)	22-3/4 (578)4	19-3/4 (502)	-	19-3/4 (502)	7/8 (22)	101.0 (46)
EAD4X19L17A	25-13/16 (656)	17-1/2 (445)	15-3/4 (400)	17-3/16 (437)	-	19-3/4 (502)	3/4 (19)	62.0 (28)
EAD4X25L17A	29-3/4 (30)	17-1/2 (445)	15-3/4 (400)	19-3/4 (502)	-	19-3/4 (502)	3/4 (19)	68.5 (31)
EAD4X37L17A	25-13/16 (656)	17-1/2 (445)	15-3/4 (400)	17-3/16 (437)	-	19-3/4 (502)	3/4 (19)	62.0 (28)
EAD4X37L21A	29-3/4 (757)	21 (533)	19-1/4 (489)	19-3/4 (502)	-	19-3/4 (502)	7/8 (22)	81.5 (37)
EAD4X43L21A	29-3/4 (757)	21 (533)	19-1/4 (489)	19-3/4 (502)	-	19-3/4 (502)	7/8 (22)	81.5 (37)
EAD4X61L24A	35 (889)	24-1/2 (622)	22-3/4 (578)	19-3/4 (502)	-	19-3/4 (502)	7/8 (22)	98.5 (45)

UNIT	A - in. (mm)	B - in. (mm)	C - in. (mm)	SHIPPING WT. - lb. (kg)
EAA4X18L14A	13-5/8 (346)	13 (330)	5/8 (16)	21.0 (10)
EAA4X24L14A	17-3/4 (451)	13 (330)	5/8 (16)	25.0 (12)
EAA4X24L17A	17-1/4 (438)	16-5/16 (414)	5/8 (16)	28.0 (12)
EAA4X30L14A	21-7/8 (556)	13 (330)	3/4 (19)	32.0 (14)
EAA4X30L17A	21-7/16 (545)	16-5/16 (414)	3/4 (19)	32.0 (14)
EAA4X36L17A	23-9/16 (598)	16-5/16 (414)	3/4 (19)	35.0 (16)
EAA4X36L21A	23 (584)	19-13/16 (503)	3/4 (19)	36.0 (16)
EAA4X42L21A	25-1/16 (637)	19-13/16 (503)	7/8 (22)	38.0 (17)
EAA4X48L21A	25-5/16 (643)	19-13/16 (503)	7/8 (22)	47.0 (21)
EAA4X48L24A	24-13/16 (630)	23-5/16 (592)	7/8 (22)	49.0 (22)
EAA4X60L24A	31-1/16 (789)	23-5/16 (592)	7/8 (22)	57.0 (25)

PERFORMANCE DATA

COOLING CAPACITIES (MBH) – R-410A REFRIGERANT

UNIT SIZE	INDOOR COIL AIR		SATURATED TEMPERATURE LEAVING EVAPORATOR (°F)														
			30			35			40			45			50		
	CFM	EWB	TC	SHC	BF	TC	SHC	BF	TC	SHC	BF	TC	SHC	BF	TC	SHC	BF
18L14	450	72	32.00	15.70	0.00	29.30	14.30	0.00	26.40	12.80	0.00	23.10	11.30	0.00	19.50	9.70	0.01
		67	26.80	16.10	0.01	24.10	14.60	0.01	21.10	13.10	0.01	17.80	11.50	0.02	14.20	9.90	0.02
		62	22.10	16.50	0.02	19.30	14.90	0.02	16.40	13.40	0.02	13.20	11.80	0.02	10.30	10.30	0.05
	600	72	39.20	19.10	0.00	36.00	17.40	0.00	32.30	15.70	0.00	28.30	13.90	0.02	23.80	12.00	0.02
		67	32.90	19.90	0.03	29.60	18.20	0.03	25.90	16.30	0.03	21.90	14.40	0.03	17.40	12.50	0.03
		62	27.20	20.60	0.04	23.80	18.80	0.04	20.20	16.90	0.04	16.30	15.00	0.04	13.20	13.20	0.09
	750	72	45.10	21.90	0.00	41.40	20.10	0.00	37.20	18.20	0.02	32.60	16.10	0.04	27.40	14.00	0.04
		67	38.00	23.20	0.05	34.20	21.20	0.05	29.90	19.10	0.05	25.20	17.00	0.05	20.00	14.70	0.06
		62	31.50	24.20	0.06	27.60	22.10	0.06	23.40	20.00	0.06	19.10	17.90	0.06	15.70	15.70	0.13
19L17	450	72	33.57	18.66	0.00	31.02	17.08	0.00	28.19	15.44	0.00	25.03	13.74	0.00	21.50	11.99	0.00
		67	28.12	18.76	0.00	25.51	17.13	0.00	22.63	15.44	0.00	19.41	13.70	0.00	15.70	11.85	0.00
		62	23.21	18.82	0.00	20.55	17.14	0.00	17.55	15.38	0.00	14.16	13.53	0.00	10.75	10.75	0.00
	600	72	42.86	23.54	0.00	39.66	21.61	0.00	36.05	19.58	0.00	32.00	17.44	0.00	27.44	15.21	0.00
		67	35.94	23.88	0.00	32.64	21.86	0.00	28.94	19.74	0.00	24.78	17.52	0.00	20.12	15.22	0.00
		62	29.69	24.13	0.00	26.29	22.02	0.00	22.49	19.82	0.00	18.20	17.50	0.00	13.85	13.85	0.00
	750	72	51.17	27.85	0.00	47.40	25.65	0.00	43.14	23.30	0.00	38.30	20.81	0.00	32.83	18.18	0.00
		67	42.99	28.53	0.00	39.08	26.19	0.00	34.67	23.71	0.00	29.68	21.10	0.00	24.05	18.35	0.00
		62	35.55	29.06	0.00	31.51	26.60	0.00	26.96	24.00	0.00	21.89	21.28	0.00	16.92	16.92	0.00
24L14 24L17	600	72	39.40	19.20	0.00	36.30	17.60	0.00	32.80	15.90	0.00	28.90	14.10	0.00	24.50	12.20	0.01
		67	33.10	20.00	0.01	29.90	18.20	0.01	26.30	16.40	0.01	22.40	14.50	0.02	17.90	12.60	0.02
		62	27.40	20.50	0.02	24.10	18.70	0.02	20.50	16.90	0.02	16.60	15.00	0.02	13.10	13.10	0.05
	800	72	47.70	23.20	0.00	44.00	21.40	0.00	39.80	19.40	0.00	35.10	17.30	0.02	29.80	15.10	0.02
		67	40.30	24.50	0.03	36.40	22.50	0.03	32.10	20.40	0.03	27.30	18.10	0.03	21.80	15.80	0.03
		62	33.40	25.50	0.04	29.50	23.40	0.04	25.10	21.20	0.04	20.50	19.00	0.04	16.70	16.70	0.09
	1000	72	54.30	26.40	0.00	50.20	24.40	0.00	45.40	22.30	0.02	40.10	20.00	0.04	34.00	17.50	0.04
		67	46.00	28.20	0.05	41.70	26.10	0.05	36.80	23.70	0.05	31.20	21.20	0.05	25.00	18.60	0.05
		62	38.30	29.80	0.05	33.80	27.50	0.06	28.90	25.10	0.06	23.80	22.60	0.06	19.90	19.90	0.14
25L17	600	72	62.57	31.59	0.00	57.94	29.03	0.00	52.74	26.32	0.00	46.87	23.47	0.00	40.26	20.49	0.00
		67	52.49	32.04	0.00	47.71	29.35	0.00	42.35	26.53	0.00	36.33	23.57	0.00	29.57	20.49	0.00
		62	43.37	32.39	0.00	38.45	29.58	0.00	32.95	26.63	0.00	26.73	23.54	0.00	20.26	20.26	0.00
	800	72	78.59	39.22	0.00	72.92	36.20	0.00	66.47	32.95	0.00	59.11	29.48	0.00	50.76	25.80	0.00
		67	66.08	40.30	0.00	60.18	37.08	0.00	53.48	33.63	0.00	45.88	29.97	0.00	37.27	26.11	0.00
		62	54.71	41.16	0.00	48.58	37.74	0.00	41.65	34.10	0.00	33.87	30.28	0.00	26.26	26.26	0.00
	1000	72	92.27	45.67	0.00	85.78	42.35	0.00	78.32	38.73	0.00	69.75	34.80	0.00	59.94	30.58	0.00
		67	77.81	47.56	0.00	70.99	43.94	0.00	63.20	40.04	0.00	54.28	35.83	0.00	44.08	31.34	0.00
		62	64.59	49.11	0.00	57.46	45.22	0.00	49.36	41.05	0.00	40.28	36.63	0.00	31.96	31.96	0.00
30L14 30L17	750	72	49.10	24.00	0.00	45.00	21.90	0.00	40.50	19.70	0.00	35.50	17.40	0.00	30.00	15.00	0.01
		67	41.20	24.80	0.01	37.00	22.50	0.02	32.40	20.20	0.02	27.40	17.80	0.02	21.90	15.30	0.02
		62	34.00	25.40	0.02	29.70	23.00	0.02	25.10	20.60	0.02	20.30	18.30	0.02	16.00	16.00	0.06
	1000	72	59.90	29.10	0.00	55.00	26.70	0.00	49.50	24.10	0.00	43.30	21.30	0.02	36.50	18.40	0.03
		67	50.40	30.50	0.03	45.30	27.90	0.04	39.70	25.10	0.04	33.50	22.20	0.04	26.70	19.20	0.04
		62	41.70	31.60	0.04	36.50	28.80	0.04	30.90	26.00	0.04	25.00	23.10	0.05	20.30	20.30	0.10
	1250	72	68.80	33.40	0.00	63.20	30.70	0.00	56.80	27.80	0.03	49.70	24.70	0.04	41.90	21.40	0.05
		67	58.00	35.40	0.06	52.20	32.40	0.06	45.70	29.30	0.06	38.50	26.00	0.06	30.60	22.60	0.07
		62	48.00	37.00	0.07	42.10	33.90	0.07	35.70	30.70	0.07	29.20	27.50	0.07	24.20	24.20	0.14
36L14 36L17 36L21	900	72	60.30	29.40	0.00	55.40	26.90	0.00	49.90	24.30	0.00	43.80	21.50	0.01	37.00	18.60	0.02
		67	50.70	30.60	0.02	45.70	27.90	0.03	40.10	25.10	0.03	33.90	22.20	0.03	27.00	19.20	0.03
		62	41.90	31.50	0.03	36.70	28.70	0.03	31.10	25.80	0.03	25.10	22.90	0.04	20.00	20.00	0.08
	1200	72	72.40	35.10	0.00	66.50	32.30	0.00	59.90	29.30	0.02	52.50	26.00	0.04	44.30	22.60	0.05
		67	61.00	37.10	0.05	55.00	34.00	0.06	48.20	30.70	0.06	40.70	27.30	0.06	32.40	23.70	0.06
		62	50.50	38.80	0.06	44.30	35.50	0.06	37.60	32.10	0.06	30.60	28.70	0.07	25.20	25.20	0.13
	1500	72	82.20	39.90	0.00	75.60	36.90	0.02	68.10	33.50	0.05	59.70	29.90	0.07	50.40	26.10	0.08
		67	69.40	42.70	0.08	62.60	39.30	0.08	55.00	35.70	0.08	46.40	31.80	0.09	37.00	27.80	0.09
		62	57.70	45.10	0.09	50.70	41.40	0.09	43.10	37.70	0.09	35.50	34.00	0.10	29.80	29.80	0.18
37L17	900	72	85.28	42.35	0.00	79.12	39.14	0.00	72.10	35.69	0.00	64.07	31.97	0.00	54.91	28.01	0.00
		67	71.79	43.83	0.00	65.36	40.38	0.00	58.05	36.68	0.00	49.72	32.73	0.00	40.25	28.53	0.00
		62	59.49	45.02	0.00	52.78	41.34	0.00	45.22	37.41	0.00	36.79	33.30	0.00	29.00	29.00	0.00
	1200	72	103.16	50.79	0.00	96.02	47.29	0.00	87.71	43.41	0.00	78.05	39.13	0.00	66.94	34.47	0.00
		67	87.21	53.61	0.00	79.64	49.72	0.00	70.90	45.46	0.00	60.82	40.81	0.00	49.25	35.81	0.00
		62	72.54	55.95	0.00	64.59	51.72	0.00	55.57	47.16	0.00	45.56	42.32	0.00	37.10	37.10	0.00
	1500	72	117.25	57.62	0.00	109.35	53.95	0.00	100.10	49.80	0.00	89.30	45.15	0.00	76.74	40.02	0.00
		67	99.48	61.84	0.00	91.07	57.69	0.00	81.29	53.07	0.00	69.87	47.93	0.00	56.68	42.33	0.00
		62	83.06	65.49	0.00	74.20	60.91	0.00	64.12	55.91	0.00	53.03	50.53	0.00	44.30	44.30	0.00

See Legend and Notes on Page 8.

COOLING CAPACITIES (MBH) – R-410A REFRIGERANT

EAM4X EAD4X UNIT SIZE	INDOOR COIL AIR		SATURATED TEMPERATURE LEAVING EVAPORATOR (°F)														
			30			35			40			45			50		
			CFM	EWB	TC	SHC	BF	TC	SHC	BF	TC	SHC	BF	TC	SHC	BF	TC
37L21	900	72	85.95	42.71	0.00	79.93	39.56	0.00	73.00	36.12	0.00	65.04	32.41	0.00	55.96	28.45	0.00
		67	72.40	44.18	0.00	66.07	40.77	0.00	58.86	37.09	0.00	50.60	33.15	0.00	41.19	28.96	0.00
		62	60.05	45.37	0.00	53.44	41.72	0.00	45.92	37.80	0.00	37.44	33.65	0.00	29.27	29.27	0.00
	1200	72	104.44	51.43	0.00	97.39	47.95	0.00	89.16	44.08	0.00	79.65	39.82	0.00	68.66	35.19	0.00
		67	88.33	54.23	0.00	80.87	50.38	0.00	72.22	46.13	0.00	62.25	41.51	0.00	50.73	36.50	0.00
		62	73.55	56.59	0.00	65.68	52.38	0.00	56.68	47.81	0.00	46.52	42.91	0.00	37.58	37.58	0.00
	1500	72	119.03	58.46	0.00	111.23	54.81	0.00	102.13	50.71	0.00	91.48	46.10	0.00	79.08	41.02	0.00
		67	101.06	62.72	0.00	92.78	58.61	0.00	83.14	54.04	0.00	71.83	48.94	0.00	58.67	43.32	0.00
		62	84.48	66.42	0.00	75.74	61.89	0.00	65.66	56.88	0.00	0.00	0.00	0.00	0.00	0.00	0.00
42L21 42L24	1050	72	75.00	36.40	0.00	69.30	33.70	0.00	62.60	30.60	0.01	55.10	27.40	0.02	46.90	24.00	0.03
		67	63.30	38.80	0.03	57.20	35.70	0.03	50.50	32.50	0.03	42.90	29.00	0.04	33.50	25.00	0.04
		62	52.60	40.80	0.04	46.40	37.60	0.04	39.50	34.10	0.04	32.00	30.40	0.05	26.40	26.40	0.14
	1400	72	87.10	42.50	0.00	80.60	39.50	0.03	73.00	36.20	0.04	64.20	32.50	0.05	54.40	28.60	0.06
		67	73.80	46.10	0.06	66.90	42.70	0.06	58.90	39.00	0.07	50.10	35.20	0.07	40.00	30.90	0.07
		62	61.40	49.30	0.07	54.40	45.70	0.07	46.90	42.10	0.07	39.00	38.10	0.09	33.00	33.00	0.19
	1750	72	96.50	47.40	0.05	89.50	44.30	0.07	81.30	40.80	0.07	71.70	36.90	0.08	60.50	32.60	0.09
		67	82.10	52.30	0.09	74.60	48.80	0.09	65.90	44.90	0.09	55.90	40.60	0.09	45.10	36.20	0.10
		62	68.60	56.80	0.10	61.00	53.10	0.10	52.90	49.10	0.10	44.90	44.90	0.12	38.70	38.70	0.24
43L21	1050	72	95.75	47.32	0.00	89.15	43.98	0.00	81.55	40.30	0.00	72.72	36.27	0.00	62.64	31.95	0.00
		67	80.81	49.43	0.00	73.87	45.77	0.00	65.88	41.78	0.00	56.71	37.46	0.00	46.18	32.83	0.00
		62	67.16	51.17	0.00	59.87	47.21	0.00	51.54	42.93	0.00	42.14	38.37	0.00	33.49	33.49	0.00
	1400	72	114.53	56.27	0.00	106.97	52.67	0.00	98.10	48.62	0.00	87.81	44.12	0.00	75.84	39.17	0.00
		67	97.13	60.04	0.00	89.08	55.99	0.00	79.75	51.52	0.00	68.84	46.55	0.00	56.19	41.13	0.00
		62	81.09	63.28	0.00	72.60	58.83	0.00	62.86	53.96	0.00	51.93	48.71	0.00	42.81	42.81	0.00
	1750	72	128.85	63.40	0.00	120.65	59.68	0.00	111.06	55.46	0.00	99.69	50.67	0.00	86.32	45.29	0.00
		67	109.76	68.90	0.00	101.01	64.69	0.00	90.69	59.91	0.00	78.53	54.53	0.00	64.28	48.54	0.00
		62	92.05	73.79	0.00	82.77	69.09	0.00	72.04	63.83	0.00	60.16	58.07	0.00	51.02	51.02	0.00
48L17 48L21 48L24	1200	72	83.40	40.60	0.00	76.70	37.20	0.00	69.30	33.60	0.00	60.90	29.80	0.01	51.70	25.80	0.02
		67	70.10	42.30	0.02	63.20	38.60	0.03	55.60	34.80	0.03	47.20	30.80	0.04	37.80	26.60	0.04
		62	57.90	43.50	0.04	50.90	39.70	0.04	43.20	35.70	0.04	34.90	31.70	0.04	27.70	27.70	0.08
	1600	72	100.80	48.90	0.00	92.80	45.10	0.00	83.80	40.90	0.01	73.80	36.40	0.04	62.50	31.70	0.05
		67	84.90	51.70	0.05	76.70	47.40	0.06	67.50	42.90	0.06	57.30	38.10	0.06	45.90	33.20	0.06
		62	70.40	53.90	0.06	62.00	49.30	0.06	52.60	44.60	0.07	42.80	39.90	0.07	35.00	35.00	0.13
	2000	72	114.70	55.70	0.00	105.70	51.60	0.00	95.60	47.00	0.05	84.20	42.00	0.07	71.40	36.70	0.08
		67	97.00	59.50	0.08	87.70	54.90	0.08	77.30	49.90	0.09	65.60	44.60	0.09	52.50	39.00	0.09
		62	80.60	62.80	0.09	71.00	57.70	0.09	60.50	52.50	0.09	49.60	47.20	0.10	41.30	41.30	0.18
60L21 60L24	1600	72	109.20	53.40	0.00	100.00	48.60	0.00	89.90	43.60	0.00	78.60	38.50	0.00	66.40	33.10	0.02
		67	91.50	55.10	0.02	82.10	50.00	0.03	71.90	44.80	0.03	60.70	39.40	0.03	48.40	34.00	0.03
		62	75.40	56.30	0.03	65.90	51.00	0.03	55.60	45.70	0.04	44.80	40.40	0.04	35.30	35.30	0.07
	2000	72	128.00	62.20	0.00	117.20	56.90	0.00	105.20	51.20	0.00	92.00	45.20	0.02	77.50	39.10	0.04
		67	107.40	64.90	0.04	96.40	59.10	0.04	84.30	53.00	0.05	71.10	46.80	0.05	56.60	40.50	0.05
		62	88.60	66.90	0.05	77.50	60.80	0.05	65.30	54.60	0.05	52.70	48.50	0.06	42.40	42.40	0.11
	2400	72	144.20	70.00	0.00	132.10	64.20	0.00	118.50	57.90	0.01	103.60	51.20	0.04	87.20	44.30	0.06
		67	121.20	73.60	0.06	108.80	67.20	0.06	95.10	60.40	0.07	80.10	53.50	0.07	63.70	46.40	0.07
		62	100.10	76.40	0.07	87.50	69.60	0.07	73.80	62.70	0.07	59.80	56.00	0.08	48.90	48.90	0.14
61L24	1600	72	133.10	65.29	0.00	124.38	61.09	0.00	114.12	56.35	0.00	102.04	51.04	0.00	87.92	45.18	0.00
		67	112.92	69.55	0.00	103.56	64.81	0.00	92.62	59.52	0.00	79.80	53.65	0.00	64.92	47.24	0.00
		62	94.29	73.16	0.00	84.32	67.90	0.00	72.85	62.14	0.00	59.93	55.91	0.00	48.98	48.98	0.00
	2000	72	150.19	73.70	0.00	140.73	69.39	0.00	129.45	64.43	0.00	116.13	58.76	0.00	100.38	52.39	0.00
		67	127.98	79.99	0.00	117.77	75.03	0.00	105.67	69.38	0.00	91.36	63.01	0.00	74.55	55.91	0.00
		62	107.36	85.50	0.00	96.47	79.93	0.00	83.81	73.69	0.00	69.74	66.88	0.00	58.70	58.70	0.00
	2400	72	163.45	80.69	0.00	153.55	76.31	0.00	141.65	71.22	0.00	127.40	65.35	0.00	110.42	58.64	0.00
		67	139.86	88.99	0.00	129.06	83.92	0.00	116.15	78.06	0.00	100.72	71.35	0.00	82.51	63.78	0.00
		62	117.85	96.47	0.00	106.33	90.72	0.00	92.96	84.20	0.00	78.33	76.91	0.00	67.38	67.38	0.00

Legend:

CFM – Cubic Ft. per Minute
SHC – Gross Sensible Capacity 1000 Btu/h

EWB – Entering Wet Bulb
BF – Bypass Factor

LWB – Leaving Wet Bulb
MBH – 1000 Btu/h

TC – Gross Cooling Capacity 1000 Btu/h

See Legend and Notes on Page 8.

PRODUCT SPECIFICATIONS

Expansion Valve Coils: EAM4X, EAD4X, EAA4X

EAA4X UNIT SIZE	INDOOR COIL AIR		SATURATED TEMPERATURE LEAVING EVAPORATOR °F (°C)														
			30 (-1)			35 (2)			40 (4)			45 (7)			50 (10)		
	CFM	EWB	TC	SHC	BF	TC	SHC	BF	TC	SHC	BF	TC	SHC	BF	TC	SHC	BF
18L14	450	72 (22)	32.00	15.70	0.00	29.30	14.30	0.00	26.40	12.80	0.00	23.10	11.30	0.00	19.50	9.70	0.01
		67 (19)	26.80	16.10	0.01	24.10	14.60	0.01	21.10	13.10	0.01	17.80	11.50	0.02	14.20	9.90	0.02
		62 (17)	22.10	16.50	0.02	19.30	14.90	0.02	16.40	13.40	0.02	13.20	11.80	0.02	10.30	10.30	0.05
	600	72 (22)	39.20	19.10	0.00	36.00	17.40	0.00	32.30	15.70	0.00	28.30	13.90	0.02	23.80	12.00	0.02
		67 (19)	32.90	19.90	0.03	29.60	18.20	0.03	25.90	16.30	0.03	21.90	14.40	0.03	17.40	12.50	0.03
		62 (17)	27.20	20.60	0.04	23.80	18.80	0.04	20.20	16.90	0.04	16.30	15.00	0.04	13.20	13.20	0.09
	750	72 (22)	45.10	21.90	0.00	41.40	20.10	0.00	37.20	18.20	0.02	32.60	16.10	0.04	27.40	14.00	0.04
		67 (19)	38.00	23.20	0.05	34.20	21.20	0.05	29.90	19.10	0.05	25.20	17.00	0.05	20.00	14.70	0.06
		62 (17)	31.50	24.20	0.06	27.60	22.10	0.06	23.40	20.00	0.06	19.10	17.90	0.06	15.70	15.70	0.13
24L14 24L17	600	72 (22)	39.40	19.20	0.00	36.30	17.60	0.00	32.80	15.90	0.00	28.90	14.10	0.00	24.50	12.20	0.01
		67 (19)	33.10	20.00	0.01	29.90	18.20	0.01	26.30	16.40	0.01	22.40	14.50	0.02	17.90	12.60	0.02
		62 (17)	27.40	20.50	0.02	24.10	18.70	0.02	20.50	16.90	0.02	16.60	15.00	0.02	13.10	13.10	0.05
	800	72 (22)	47.70	23.20	0.00	44.00	21.40	0.00	39.80	19.40	0.00	35.10	17.30	0.02	29.80	15.10	0.02
		67 (19)	40.30	24.50	0.03	36.40	22.50	0.03	32.10	20.40	0.03	27.30	18.10	0.03	21.80	15.80	0.03
		62 (17)	33.40	25.50	0.04	29.50	23.40	0.04	25.10	21.20	0.04	20.50	19.00	0.04	16.70	16.70	0.09
	1000	72 (22)	54.30	26.40	0.00	50.20	24.40	0.00	45.40	22.30	0.02	40.10	20.00	0.04	34.00	17.50	0.04
		67 (19)	46.00	28.20	0.05	41.70	26.10	0.05	36.80	23.70	0.05	31.20	21.20	0.05	25.00	18.60	0.05
		62 (17)	38.30	29.80	0.05	33.80	27.50	0.06	28.90	25.10	0.06	23.80	22.60	0.06	19.90	19.90	0.14
30L14 30L17	750	72 (22)	49.10	24.00	0.00	45.00	21.90	0.00	40.50	19.70	0.00	35.50	17.40	0.00	30.00	15.00	0.01
		67 (19)	41.20	24.80	0.01	37.00	22.50	0.02	32.40	20.20	0.02	27.40	17.80	0.02	21.90	15.30	0.02
		62 (17)	34.00	25.40	0.02	29.70	23.00	0.02	25.10	20.60	0.02	20.30	18.30	0.02	16.00	16.00	0.06
	1000	72 (22)	59.90	29.10	0.00	55.00	26.70	0.00	49.50	24.10	0.00	43.30	21.30	0.02	36.50	18.40	0.03
		67 (19)	50.40	30.50	0.03	45.30	27.90	0.04	39.70	25.10	0.04	33.50	22.20	0.04	26.70	19.20	0.04
		62 (17)	41.70	31.60	0.04	36.50	28.80	0.04	30.90	26.00	0.04	25.00	23.10	0.05	20.30	20.30	0.10
	1250	72 (22)	68.80	33.40	0.00	63.20	30.70	0.00	56.80	27.80	0.03	49.70	24.70	0.04	41.90	21.40	0.05
		67 (19)	58.00	35.40	0.06	52.20	32.40	0.06	45.70	29.30	0.06	38.50	26.00	0.06	30.60	22.60	0.07
		62 (17)	48.00	37.00	0.07	42.10	33.90	0.07	35.70	30.70	0.07	29.20	27.50	0.07	24.20	24.20	0.14
36L17 36L21	900	72 (22)	60.30	29.40	0.00	55.40	26.90	0.00	49.90	24.30	0.00	43.80	21.50	0.01	37.00	18.60	0.02
		67 (19)	50.70	30.60	0.02	45.70	27.90	0.03	40.10	25.10	0.03	33.90	22.20	0.03	27.00	19.20	0.03
		62 (17)	41.90	31.50	0.03	36.70	28.70	0.03	31.10	25.80	0.03	25.10	22.90	0.04	20.00	20.00	0.08
	1200	72 (22)	72.40	35.10	0.00	66.50	32.30	0.00	59.90	29.30	0.02	52.50	26.00	0.04	44.30	22.60	0.05
		67 (19)	61.00	37.10	0.05	55.00	34.00	0.06	48.20	30.70	0.06	40.70	27.30	0.06	32.40	23.70	0.06
		62 (17)	50.50	38.80	0.06	44.30	35.50	0.06	37.60	32.10	0.06	30.60	28.70	0.07	25.20	25.20	0.13
	1500	72 (22)	82.20	39.90	0.00	75.60	36.90	0.02	68.10	33.50	0.05	59.70	29.90	0.07	50.40	26.10	0.08
		67 (19)	69.40	42.70	0.08	62.60	39.30	0.08	55.00	35.70	0.08	46.40	31.80	0.09	37.00	27.80	0.09
		62 (17)	57.70	45.10	0.09	50.70	41.40	0.09	43.10	37.70	0.09	35.50	34.00	0.10	29.80	29.80	0.18
42L21	1050	72 (22)	75.00	36.40	0.00	69.30	33.70	0.00	62.60	30.60	0.01	55.10	27.40	0.02	46.90	24.00	0.03
		67 (19)	63.30	38.80	0.03	57.20	35.70	0.03	50.50	32.50	0.03	42.90	29.00	0.04	33.50	25.00	0.04
		62 (17)	52.60	40.80	0.04	46.40	37.60	0.04	39.50	34.10	0.04	32.00	30.40	0.05	26.40	26.40	0.14
	1400	72 (22)	87.10	42.50	0.00	80.60	39.50	0.03	73.00	36.20	0.04	64.20	32.50	0.05	54.40	28.60	0.06
		67 (19)	73.80	46.10	0.06	66.90	42.70	0.06	58.90	39.00	0.07	50.10	35.20	0.07	40.00	30.90	0.07
		62 (17)	61.40	49.30	0.07	54.40	45.70	0.07	46.90	42.10	0.07	39.00	38.10	0.09	33.00	33.00	0.19
	1750	72 (22)	96.50	47.40	0.05	89.50	44.30	0.07	81.30	40.80	0.07	71.70	36.90	0.08	60.50	32.60	0.09
		67 (19)	82.10	52.30	0.09	74.60	48.80	0.09	65.90	44.90	0.09	55.90	40.60	0.09	45.10	36.20	0.10
		62 (17)	68.60	56.80	0.10	61.00	53.10	0.10	52.90	49.10	0.10	44.90	44.90	0.12	38.70	38.70	0.24
48L21 48L24	1200	72 (22)	83.40	40.60	0.00	76.70	37.20	0.00	69.30	33.60	0.00	60.90	29.80	0.01	51.70	25.80	0.02
		67 (19)	70.10	42.30	0.02	63.20	38.60	0.03	55.60	34.80	0.03	47.20	30.80	0.04	37.80	26.60	0.04
		62 (17)	57.90	43.50	0.04	50.90	39.70	0.04	43.20	35.70	0.04	34.90	31.70	0.04	27.70	27.70	0.08
	1600	72 (22)	100.80	48.90	0.00	92.80	45.10	0.00	83.80	40.90	0.01	73.80	36.40	0.04	62.50	31.70	0.05
		67 (19)	84.90	51.70	0.05	76.70	47.40	0.06	67.50	42.90	0.06	57.30	38.10	0.06	45.90	33.20	0.06
		62 (17)	70.40	53.90	0.06	62.00	49.30	0.06	52.60	44.60	0.07	42.80	39.90	0.07	35.00	35.00	0.13
	2000	72 (22)	114.70	55.70	0.00	105.70	51.60	0.00	95.60	47.00	0.05	84.20	42.00	0.07	71.40	36.70	0.08
		67 (19)	97.00	59.50	0.08	87.70	54.90	0.08	77.30	49.90	0.09	65.60	44.60	0.09	52.50	39.00	0.09
		62 (17)	80.60	62.80	0.09	71.00	57.70	0.09	60.50	52.50	0.09	49.60	47.20	0.10	41.30	41.30	0.18
60L24	1600	72 (22)	109.20	53.40	0.00	100.00	48.60	0.00	89.90	43.60	0.00	78.60	38.50	0.00	66.40	33.10	0.02
		67 (19)	91.50	55.10	0.02	82.10	50.00	0.03	71.90	44.80	0.03	60.70	39.40	0.03	48.40	34.00	0.03
		62 (17)	75.40	56.30	0.03	65.90	51.00	0.03	55.60	45.70	0.04	44.80	40.40	0.04	35.30	35.30	0.07
	2000	72 (22)	128.00	62.20	0.00	117.20	56.90	0.00	105.20	51.20	0.00	92.00	45.20	0.02	77.50	39.10	0.04
		67 (19)	107.40	64.90	0.04	96.40	59.10	0.04	84.30	53.00	0.05	71.10	46.80	0.05	56.60	40.50	0.05
		62 (17)	88.60	66.90	0.05	77.50	60.80	0.05	65.30	54.60	0.05	52.70	48.50	0.06	42.40	42.40	0.11
	2400	72 (22)	144.20	70.00	0.00	132.10	64.20	0.00	118.50	57.90	0.01	103.60	51.20	0.04	87.20	44.30	0.06
		67 (19)	121.20	73.60	0.06	108.80	67.20	0.06	95.10	60.40	0.07	80.10	53.50	0.07	63.70	46.40	0.07
		62 (17)	100.10	76.40	0.07	87.50	69.60	0.07	73.80	62.70	0.07	59.80	56.00	0.08	48.90	48.90	0.14

Legend:

CFM – Cubic Ft. per Minute

EWB – Entering Wet Bulb

LWB – Leaving Wet Bulb

TC – Gross Cooling Capacity 1000 Btuh

SHC – Gross Sensible Capacity 1000 Btuh

BF – Bypass Factor

MBH – 1000 Btuh

See Legend and Notes on Page 8.

NOTES:

1. Contact manufacturer for cooling capacities at conditions other than shown in table.
2. Formulas:

$$\text{Leaving db} = \text{entering db} - \frac{\text{sensible heat cap.}}{1.09 \times \text{CFM}}$$

$$\text{Leaving wb} = \text{wb corresponding to enthalpy of air leaving coil (h}_{LWB})$$

$$h_{LWB} = h_{EWB} - \frac{\text{total capacity (Btuh)}}{4.5 \times \text{CFM}}$$
 Where h_{EWB} = enthalpy of air entering coil
3. SHC is based on 80°F db temperature of air entering the evaporator coil.
 Below 80°F db, subtract (Correction Factor x CFM) from SHC.
 Above 80°F db, add (Correction Factor x CFM) to SHC.
4. Direct interpolation is permissible. Do not extrapolate.
5. Fan motor heat has not been deducted.
6. All data points are based on 10°F superheat leaving coil and use of thermostatic expansion valve (TXV) device.
7. All units have sweat suction-tube connection and a liquid-tube connection. For 1-1/8 in. system suction tube, 3/4 x 1-1/8 in. suction tube connection adapter is available as accessory.
8. The EAM4X coils can be used in any properly designed system using Refrigerant R-410A.
9. Before using maximum cfm shown in table, check coil static pressure drop to ensure system blower can provide necessary static pressure needed for coil and duct systems.
10. Bypass Factor = 0 indicates no psychometric solution. Use bypass factor of next lower EWB for approximation.

BYPASS FACTOR	ENTERING AIR DRY BULB TEMPERATURE (°F)					
	79	78	77	76	75	Under 75
	81	82	83	84	84	Above 85
	Correction Factor					
0.10	0.98	1.96	2.94	3.92	4.91	Use formula shown below
0.20	0.87	1.74	2.62	3.49	4.36	
0.30	0.76	1.53	2.29	3.05	3.82	

Interpolation is permissible.

$$\text{Correction Factor} = 1.09 \times (1 - \text{BF}) \times (\text{db} - 80)$$

PERFORMANCE DATA (CONT.)

COIL STATIC PRESSURE DROP (in. w.c.) R-410A

EAM4X EAD4X UNIT SIZE	STANDARD CFM																								
	400	500	600	700	800	900	1000	1100	1200	1300	1400	1500	1600	1700	1800	1900	2000	2100	2200						
18L14	Dry																								
	0.079	0.111	0.145	0.186	0.232																				
	Wet																								
19L17	0.083	0.116	0.151	0.196	0.243																				
	Dry																								
	0.077	0.099	0.124	0.152	0.182																				
24L14	Wet																								
	0.088	0.113	0.137	0.170	0.209																				
	Dry																								
24L17	0.065	0.091	0.120	0.154	0.194	0.237	0.284																		
	Wet																								
	0.066	0.094	0.124	0.161	0.203	0.250	0.301																		
24L17	Dry																								
	0.056	0.076	0.097	0.123	0.151	0.182	0.215																		
	Wet																								
25L17	0.060	0.082	0.105	0.132	0.163	0.195	0.231																		
	Dry																								
	0.069	0.090	0.111	0.136	0.165	0.193	0.227																		
30L14	Wet																								
	0.071	0.090	0.113	0.136	0.164	0.196	0.229																		
	Dry																								
30L14	0.054	0.077	0.102	0.133	0.167	0.206	0.248	0.296	0.347																
	Wet																								
	0.059	0.084	0.111	0.142	0.181	0.223	0.269	0.319	0.375																
30L17	Dry																								
	0.043	0.059	0.077	0.096	0.119	0.144	0.171	0.201	0.232																
	Wet																								
36L14	0.046	0.063	0.083	0.105	0.130	0.157	0.186	0.219	0.252																
	Dry																								
	0.047	0.069	0.093	0.119	0.151	0.187	0.227	0.270	0.317	0.362	0.418														
36L17	Wet																								
	0.053	0.076	0.101	0.129	0.162	0.200	0.241	0.286	0.335	0.388	0.447														
	Dry																								
36L21	0.023	0.036	0.052	0.069	0.089	0.110	0.135	0.160	0.189	0.219	0.251														
	Wet																								
	0.042	0.058	0.076	0.095	0.117	0.142	0.169	0.198	0.231	0.265	0.299														
37L17	Dry																								
	0.026	0.037	0.050	0.062	0.077	0.092	0.109	0.128	0.148	0.170	0.193														
	Wet																								
37L21	0.029	0.040	0.053	0.065	0.082	0.099	0.119	0.138	0.160	0.185	0.209														
	Dry																								
	0.077	0.099	0.124	0.152	0.182	0.216	0.253	0.294	0.338																
42L21	Wet																								
	0.088	0.113	0.137	0.170	0.209	0.247	0.287	0.326	0.368																
	Dry																								
42L24			0.059	0.073	0.090	0.111	0.135	0.162	0.191	0.222	0.254														
	Wet																								
			0.073	0.096	0.120	0.147	0.176	0.207	0.240	0.276	0.314														
43L21	Dry																								
			0.044	0.056	0.068	0.082	0.099	0.119	0.138	0.161	0.183	0.205	0.233												
	Wet																								
43L21			0.058	0.073	0.089	0.106	0.125	0.143	0.165	0.189	0.213	0.239	0.268												
	Dry																								
			0.039	0.049	0.060	0.072	0.085	0.099	0.114	0.130	0.146	0.164	0.182												
43L21	Wet																								
			0.054	0.066	0.079	0.092	0.103	0.125	0.142	0.161	0.182	0.202	0.222												
	Dry																								
43L21			0.059	0.073	0.090	0.111	0.135	0.162	0.191	0.222	0.254	0.288	0.323												
	Wet																								
			0.073	0.096	0.120	0.147	0.176	0.207	0.240	0.276	0.314	0.354	0.396												

Specifications subject to change without notice.

EAM4X EAD4X UNIT SIZE	STANDARD CFM																		
	400	500	600	700	800	900	1000	1100	1200	1300	1400	1500	1600	1700	1800	1900	2000	2100	2200
48L17	Dry																		
			0.065	0.082	0.105	0.128	0.156	0.185	0.216	0.253	0.290	0.331	0.372	0.417	0.464				
48L21	Wet																		
			0.066	0.084	0.106	0.130	0.159	0.188	0.222	0.256	0.296	0.337	0.379	0.425	0.476				
48L24	Dry																		
			0.055	0.072	0.089	0.107	0.128	0.150	0.175	0.199	0.228	0.257	0.288	0.321	0.356				
48L24	Wet																		
			0.058	0.075	0.094	0.115	0.136	0.161	0.188	0.217	0.247	0.279	0.313	0.347	0.386				
60L21	Dry																		
					0.075	0.093	0.112	0.133	0.157	0.181	0.206	0.234	0.264	0.294	0.326	0.360	0.396	0.432	0.478
60L24	Wet																		
					0.077	0.095	0.115	0.137	0.159	0.184	0.209	0.238	0.268	0.300	0.334	0.370	0.407	0.444	0.488
61L24	Dry																		
					0.073	0.083	0.095	0.107	0.120	0.136	0.152	0.169	0.184	0.203	0.217	0.238	0.260	0.283	0.307
61L24	Wet																		
					0.076	0.086	0.098	0.110	0.124	0.140	0.157	0.175	0.193	0.215	0.238	0.261	0.286	0.314	0.342
61L24	Dry																		
						0.099	0.113	0.127	0.144	0.162	0.182	0.203	0.227	0.252	0.279	0.307	0.337	0.369	0.403
61L24	Wet																		
						0.118	0.140	0.163	0.187	0.213	0.239	0.266	0.295	0.325	0.355	0.387	0.420	0.454	0.489

EAA4X UNIT SIZE	STANDARD CFM																		
	400	500	600	700	800	900	1000	1100	1200	1300	1400	1500	1600	1700	1800	1900	2000	2100	2200
18L14	Dry																		
	0.079	0.111	0.145	0.186	0.232														
24L14	Wet																		
	0.083	0.116	0.151	0.196	0.243														
24L17	Dry																		
	0.065	0.091	0.120	0.154	0.194	0.237	0.284												
30L14	Wet																		
	0.066	0.094	0.124	0.161	0.203	0.250	0.301												
30L17	Dry																		
	0.056	0.076	0.097	0.123	0.151	0.182	0.215												
36L17	Wet																		
	0.060	0.082	0.105	0.132	0.163	0.195	0.231												
36L21	Dry																		
	0.054	0.077	0.102	0.133	0.167	0.206	0.248	0.296	0.347										
42L21	Wet																		
	0.059	0.084	0.111	0.142	0.181	0.223	0.269	0.319	0.375										
48L21	Dry																		
	0.043	0.059	0.077	0.096	0.119	0.144	0.171	0.201	0.232										
48L24	Wet																		
	0.046	0.063	0.083	0.105	0.130	0.157	0.186	0.219	0.252										
60L24	Dry																		
	0.023	0.036	0.052	0.069	0.089	0.110	0.135	0.160	0.189	0.219	0.251								
60L24	Wet																		
	0.042	0.058	0.076	0.095	0.117	0.142	0.169	0.198	0.231	0.265	0.299								
60L24	Dry																		
	0.026	0.037	0.050	0.062	0.077	0.092	0.109	0.128	0.148	0.170	0.193								
60L24	Wet																		
	0.029	0.040	0.053	0.065	0.082	0.099	0.119	0.138	0.160	0.185	0.209								
60L24	Dry																		
			0.044	0.056	0.068	0.082	0.099	0.119	0.138	0.161	0.183	0.205	0.233						
60L24	Wet																		
			0.058	0.073	0.089	0.106	0.125	0.143	0.165	0.189	0.213	0.239	0.268						
60L24	Dry																		
			0.055	0.072	0.089	0.107	0.128	0.150	0.175	0.199	0.228	0.257	0.288	0.321	0.356				
60L24	Wet																		
			0.058	0.075	0.094	0.115	0.136	0.161	0.188	0.217	0.247	0.279	0.313	0.347	0.386				
60L24	Dry																		
			0.044	0.056	0.069	0.084	0.100	0.118	0.137	0.159	0.180	0.198	0.222	0.247	0.275				
60L24	Wet																		
			0.052	0.065	0.080	0.095	0.112	0.131	0.150	0.171	0.193	0.214	0.241	0.270	0.296				
60L24	Dry																		
					0.073	0.083	0.095	0.107	0.120	0.136	0.152	0.169	0.184	0.203	0.217	0.238	0.260	0.283	0.307
60L24	Wet																		
					0.076	0.086	0.098	0.110	0.124	0.140	0.157	0.175	0.193	0.215	0.238	0.261	0.286	0.314	0.342

ACCESSORIES

CASING PART NUMBER	NOMINAL COIL SIZES	DIMENSIONS IN.(MM)		
		HEIGHT	WIDTH	DEPTH
NAEA01012CC	EAA4X (18, 24, 30) L14A1	25 13/16" (655.6)	14 3/16" (360.4)	20-5/8" (523.9)
NAEA01106CC	EAA4X (24, 30) L17A1	25 13/16" (655.6)	17 1/2" (444.5)	20-5/8" (523.9)
NAEA01206CC	EAA4X36L17A1	29 3/4" (755.6)	17 1/2" (444.5)	20-5/8" (523.9)
NAEA01304CC	EAA4X (36, 42, 48) L21A1	29 3/4" (755.6)	21" (533.4)	20-5/8" (523.9)
NAEA01404CC	EAA4X48L24A1	29 3/4" (755.6)	24 1/2" (622.3)	20-5/8" (523.9)
NAEA01504CC	EAA4X60L24A1	35" (889.0)	24 1/2" (622.3)	20-5/8" (523.9)

