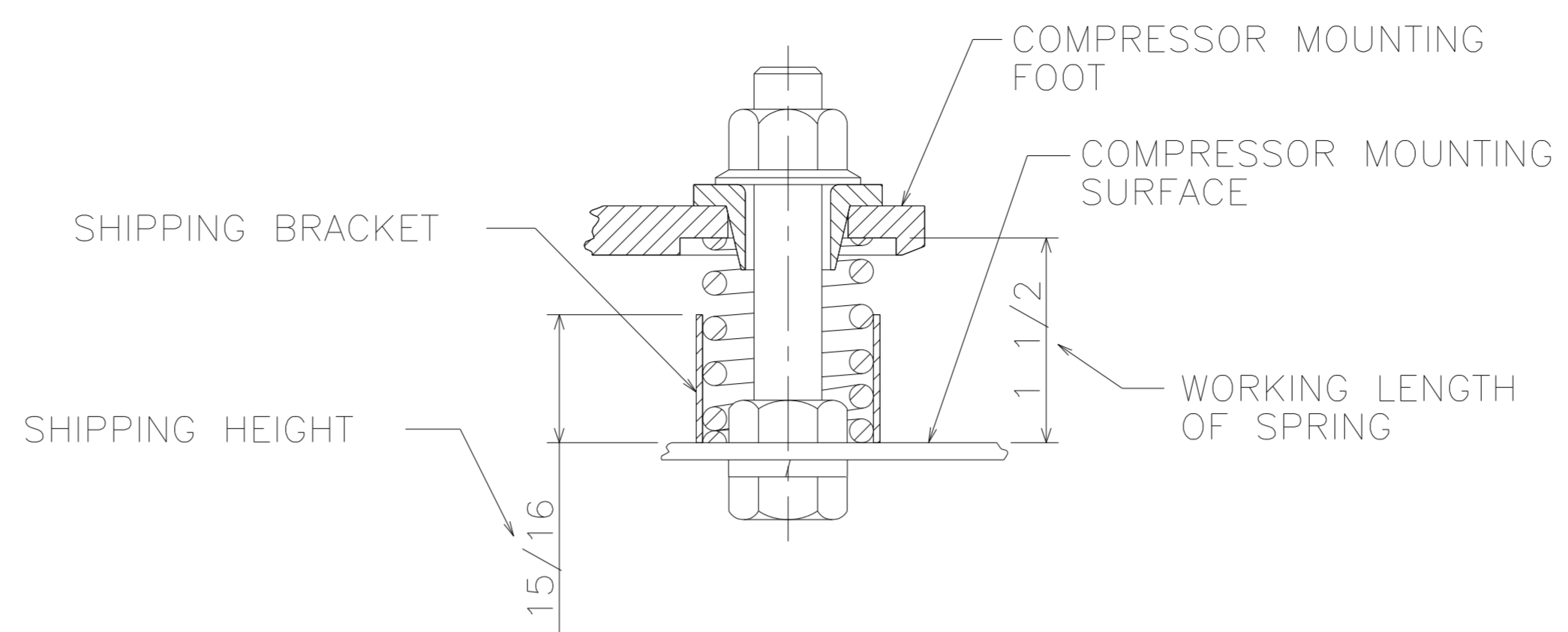
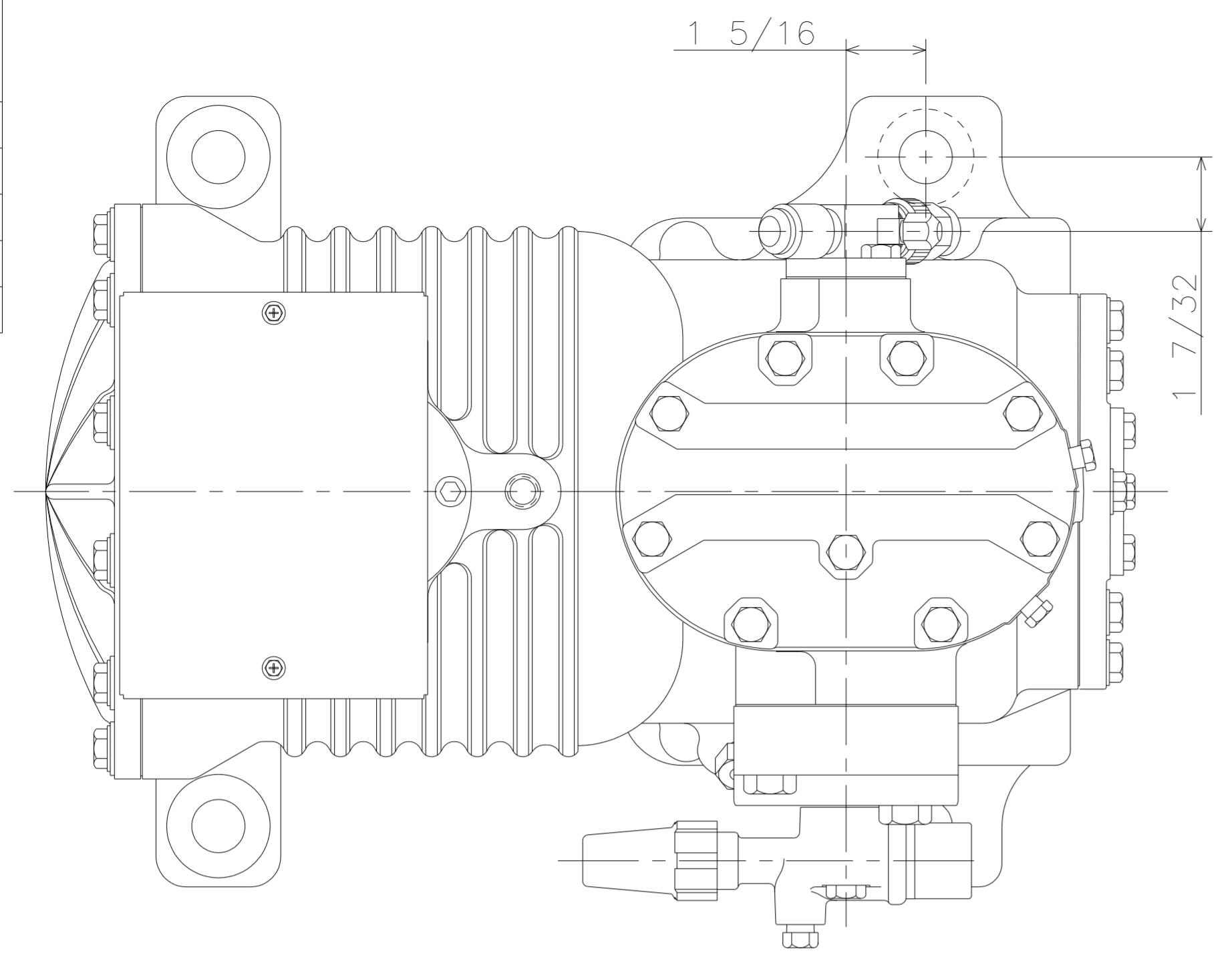


MODEL	1
LAC*-03**	
LAH*-03**	
LAL*-03**	
LAM*-03**	
LAC*-04**	

SPECIFICATIONS	
ES NO.	DESCRIPTION

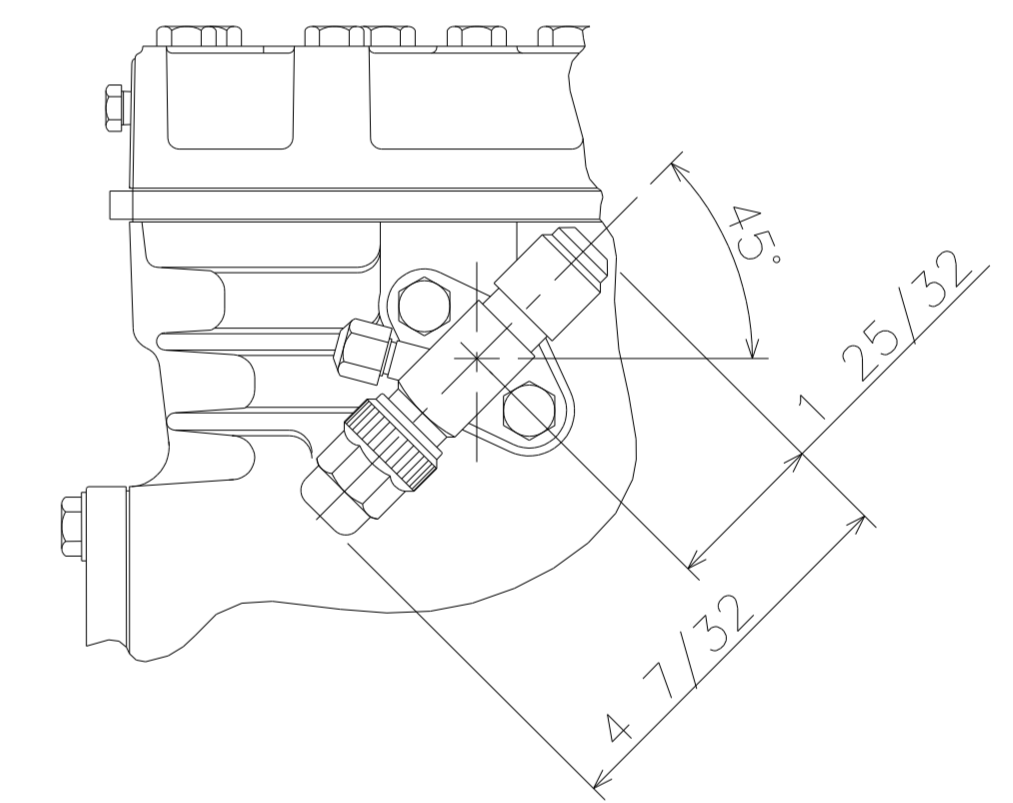
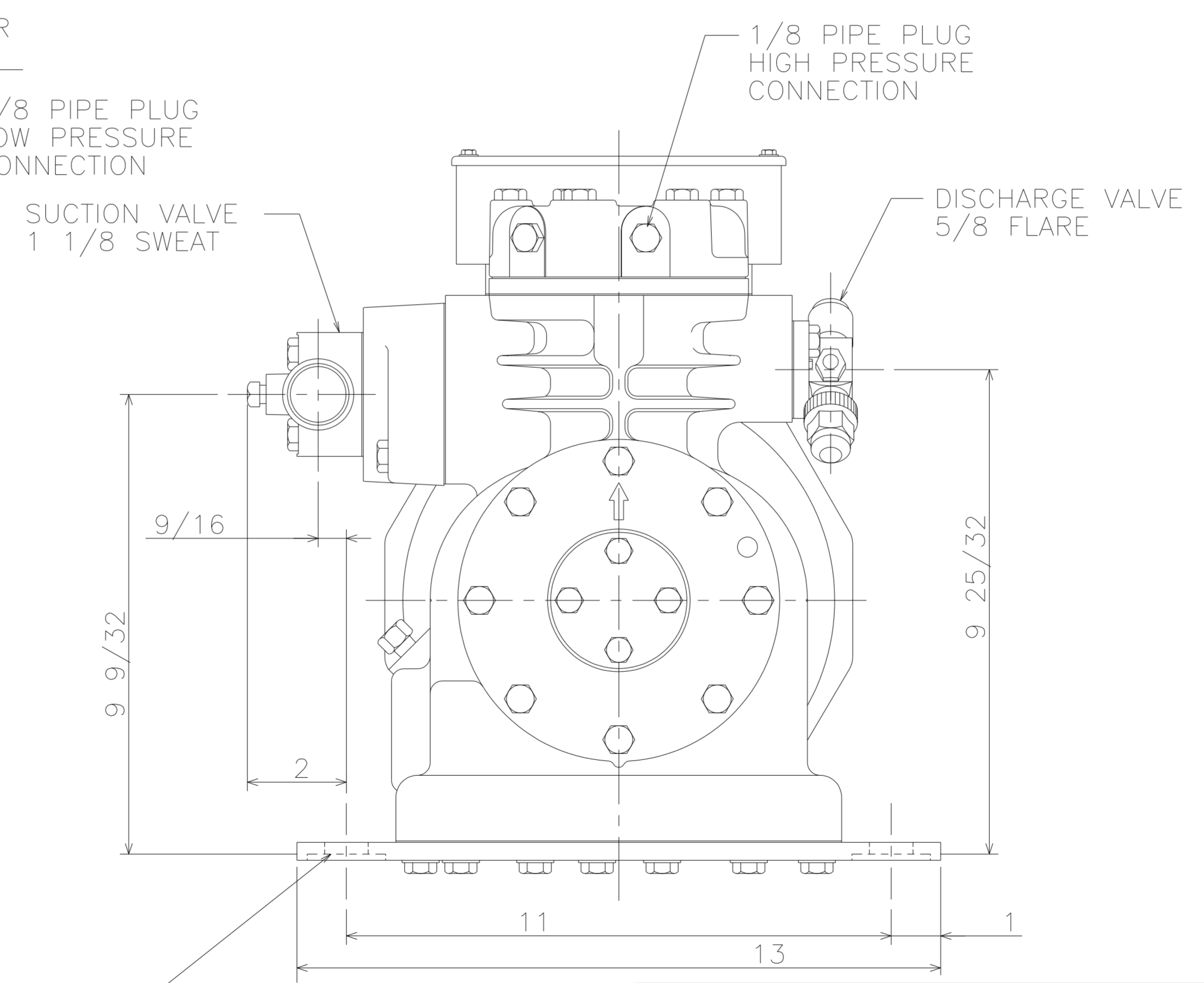
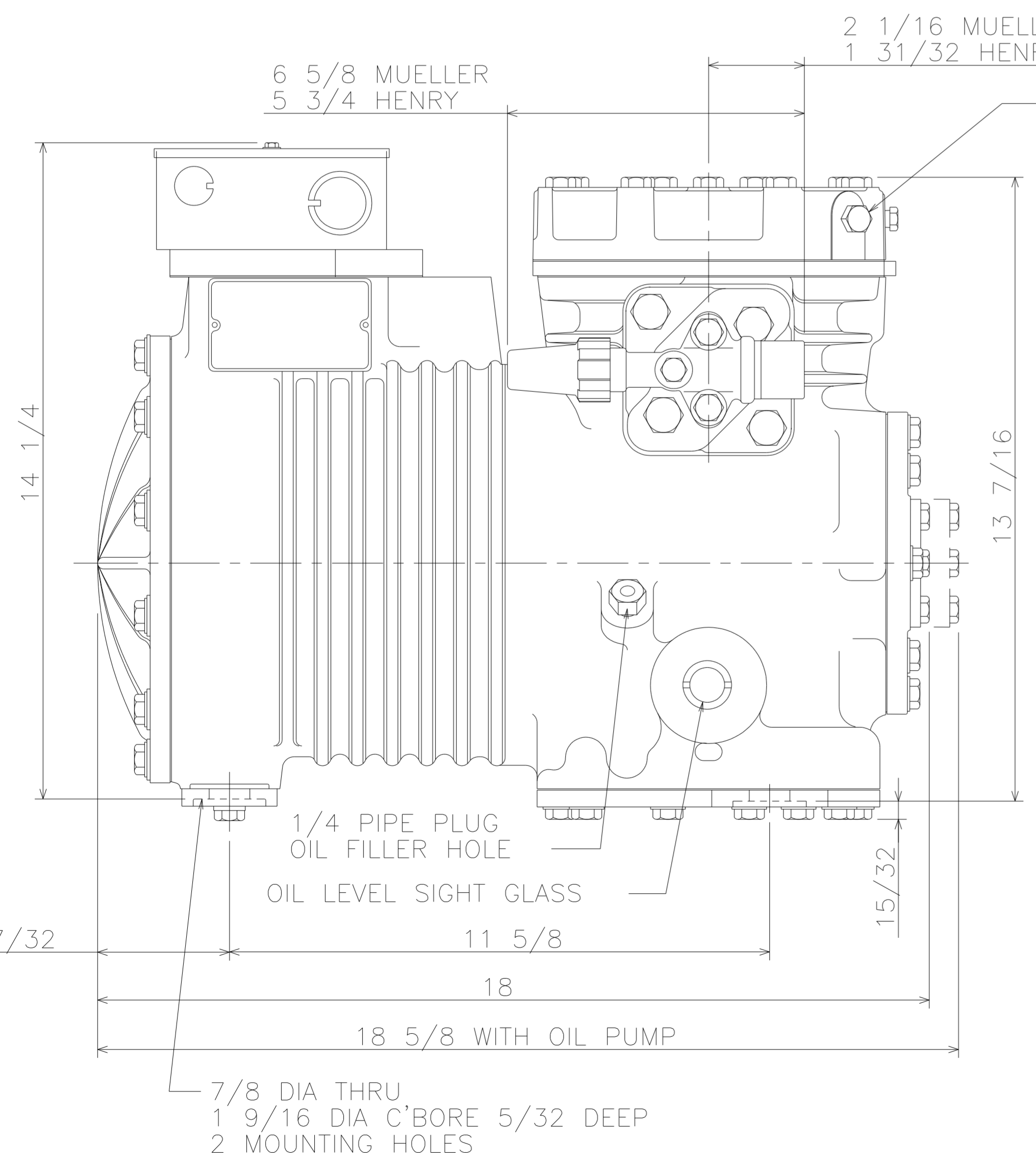


NOTE:

1 ALL COMPRESSORS WITH OIL PUMP ARE INDICATED BY AN ALPHABETICAL CHARACTER IN THE FOURTH DIGIT.

2. ALL TOLERANCES ARE $\pm 3/32$ EXCEPT INDUSTRY STANDARDS APPLY TO FITTINGS AND VALVES.

COMPRESSOR MOUNTING PARTS



7/8 DIA THRU
1 9/16 DIA C'BORE 1/8 DEEP
2 MOUNTING HOLES



INTERPRET PER ASME Y14.5M-1994 AND EMERSON CLIMATE TECHNOLOGIES, INC DESIGN STANDARDS_DS2002 DO NOT SCALE DRAWING THIRD ANGLE PROJECTION

UNLESS OTHERWISE SPECIFIED DIMENSIONS ARE INCH OR (MILLIMETER)

TOLERANCES:
2-PLACE $\pm N/A$
3-PLACE $\pm N/A$
ANGULAR $\pm N/A$

31-0907-049	11	REDRAWN; CHG FORMAT FOR PROJECT INC	11-22-07	MMB	CHK	RST
10-0973-011	0	RELEASED				
ENG NOTICE NO.	REV.NO.	REVISIONS	DATE	BY	CHKD	APPR
8		CONFIDENTIALITY NOTICE THIS DRAWING AND INFORMATION CONTAINED HEREIN ARE THE EXCLUSIVE PROPERTY OF EMERSON CLIMATE TECHNOLOGIES, INC. AND SHALL BE RETURNED UPON DEMAND AND SHALL NOT BE REPRODUCED IN WHOLE OR IN PART TO ANYONE ELSE OR USED, WITHOUT THE WRITTEN CONSENT OF EMERSON CLIMATE TECHNOLOGIES, INC.				
MATERIAL SPECIFICATION		DRAWN BY		SUPERSEDES DWG. NO. / REV. NO.		
N/A		MMB		497-0001-00 / 10		
		DATE		SCALE		DATE FORMAT:
		11-22-07		1:2		MM-DD-YY
TITLE			DRAWING NUMBER SHEET 1 OF 1			DWG
REF DWG-COPE COMP ASSM			497-0001-00			4
						SIZE

UNCONTROLLED COPY - DO NOT MODIFY

COPYRIGHT EMERSON CLIMATE TECHNOLOGIES, INC. - CONFIDENTIAL