

STAS Steel Liquid and Suction Filter-Drier

The STAS is a replaceable core filter-drier for CFC, HCFC, and HFC refrigerants for use in large commercial air conditioning and refrigerant systems.



Features

- Slotted cover/unique internal hardware for hassle-free installation
- Full flow fittings for low pressure drop
- Corrosion resistant epoxy powder paint finish
- Sturdy steel shells for long life
- Solid copper connections
- 100 mesh outlet screen

Nomenclature example: STAS 489T

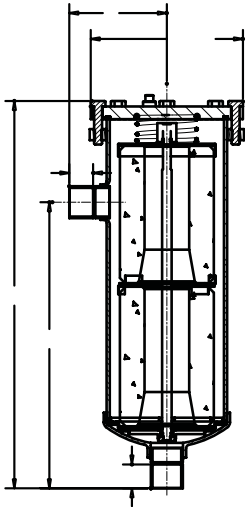
STAS	48	9	T
Steel Take-A-Part Series	Unit Size (in cu. in.)	Connection Size (in 1/8")	System Service T = Liquid Line Service SV = Suction Line Service

Specifications

- Filtration (with core): 40 microns
- Maximum working pressure: 500 psig T (Liquid Line)
*except as noted below
- UL/CUL file number: SA7175

STAS Models are shipped without filter or filter-drier cores.
For available filter or filter-drier cores, see page 153.

Dimensional Data



Ordering Information

PCN	Description	Con- nection Size	Number Of 48 in ³ Cores	Desiccant Volume (Cu. In.)	Dimensions (in)					
					A	B	C	D		
053001	STAS-485T**	1/5/8 ODF	1	48	9.94	6.00	3.78	0.63		
053003	STAS-487T**	1/7/8 ODF			9.69	6.25	3.75	0.78		
053005	STAS-489T**	1 1/8 ODF			9.75	6.31	3.84	0.94		
053007	STAS-4811T**	1 3/8 ODF			9.84	6.44	3.97	0.94		
053043	STAS-4813S-V ¹	1 5/8 ODF			9.88	6.02	4.03	1.13		
053044	STAS-4817S-V ¹	2 1/8 ODF			10.06	6.56	4.56	1.34		
053045	STAS-4821S-V ¹	2 5/8 ODF			10.44	7.03	4.75	1.04		
053375	STAS-4813T	1 5/8 ODF			9.88	6.50	4.03	1.13		
053938	STAS-4811SV	1 3/8 ODF			9.84	6.44	3.97	0.94		
053010	STAS-967T**	1/7/8 ODF			2	96	15.19	11.72	3.75	0.78
053012	STAS-969T**	1 1/8 ODF	15.22	11.78			3.84	0.94		
053014	STAS-9611T**	1 3/8 ODF	15.31	11.91			3.97	1.03		
053017	STAS-9613T**	1 5/8 ODF	15.38	11.97			4.03	1.13		
053018	STAS-9617T**	2 1/8 ODF	15.56	12.03			4.56	1.34		
053047	STAS-9617S-V ¹	2 1/8 ODF	15.56	12.03			4.56	1.34		
053048	STAS-9621S-V ¹	2 5/8 ODF	15.94	12.50			4.75	1.50		
059739	A-TD-9625S-V ¹	3 1/8 ODF	15.69	10.31			4.63	1.75		
053020	STAS-1449T	1 1/8 ODF	3	144			21.25	17.38	3.84	0.94
053022	STAS-14411T	1 3/8 ODF					21.34	17.53	3.97	1.03
053024	STAS-14413T	1 5/8 ODF			21.38	17.59	4.03	1.13		
053025	STAS-14417T	2 1/8 ODF			21.56	17.63	4.56	1.34		
053028	STAS-19211T	1 3/8 ODF			26.91	23.00	3.97	1.03		
053030	STAS-19213T	1 5/8 ODF	4	192	26.94	23.17	4.03	1.13		
053031	STAS-19217T	2 1/8 ODF			27.13	23.13	4.56	1.34		
056213	STAS-1927/5T	7/8 X 5/8			26.50	6.00	3.69	7/8 x 5/8		

** 680 psig maximum working pressure

¹"SV" style include stainless steel bolts and access valve.

NOTE: "T" style can be used for suction by removing pipe plug and installing X-11562-2.

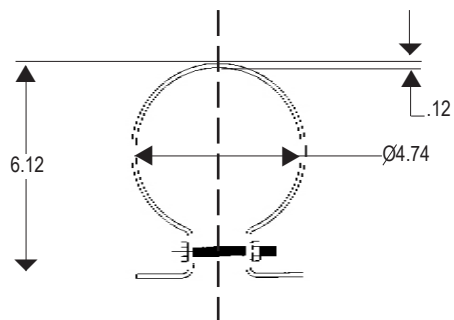
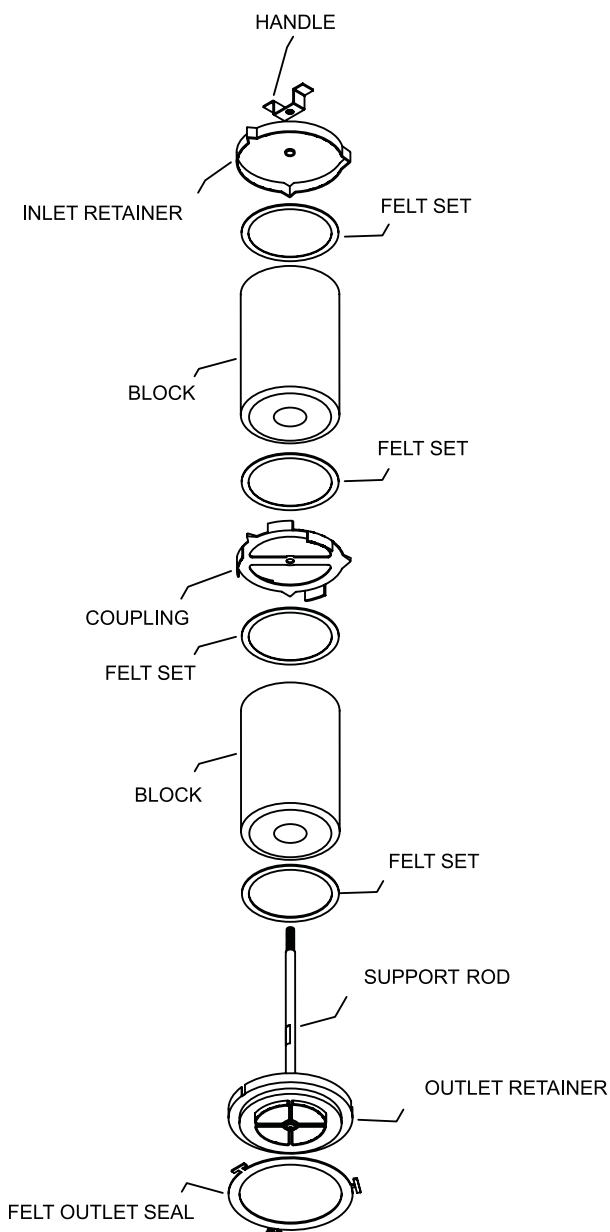
Description	Connections	Liquid Flow Capacity Tons @ psi ΔP ^{1,2,3}					
		R-12	R-134a	R-22	R-407C	R-404A/507	R-502
STAS-485T	5/8 ODF	15	19	21	20	14	13
STAS-487T	7/8 ODF	28	35	38	37	25	24
STAS-489T	1 1/8 ODF	40	48	53	51	35	34
STAS-4811T	1 3/8 ODF	46	56	61	59	40	39
STAS-4813T	1 5/8 ODF	64	78	85	83	56	55
STAS-967T	7/8 ODF	31	37	41	40	27	26
STAS-969T	1 1/8 ODF	47	58	63	61	42	40
STAS-9611T	1 3/8 ODF	59	72	79	77	52	51
STAS-9613T	1 5/8 ODF	64	78	85	83	56	55
STAS-1449T	1 1/8 ODF	46	56	61	59	40	39
STAS-14411T	1 3/8 ODF	66	81	88	86	58	57
STAS-14413T	1 5/8 ODF	73	89	97	95	64	63
STAS-14417T	2 1/8 ODF	84	103	112	109	74	72
STAS-19211T	1 3/8 ODF	71	86	94	92	62	61
STAS-19213T	1 5/8 ODF	77	95	103	101	68	66
STAS-19217T	2 1/8 ODF	87	106	115	112	76	74

¹ All ratings in accordance with ARI Standard 710-04. 86°F liquid refrigerant temperature
5°F saturated vapor temperature
3.1 lbs./min./ton for R-134a
2.9 lbs./min./ton for R-22 and R-407C
4.0 lbs./min./ton for R-404A/507 and R-12
4.4 lbs./min./ton for R-502
² For 2 PSI ΔP , Multiply values by 1.4
³ For kW, multiply by 3.5

Replacement Parts For STAS

Flange Cover Assembly	Description	PCN
All STAS Driers - Include Flange Cover, Compression Spring, Pipe Plug, and Grade 5 Bolts	X12176-3	054046
Shell Strainer Assembly		
STAS-48	X27458-1	060274
STAS-96	X27458-2	060275
STAS-144	X27458-3	060276
STAS-192	X27458-4	060277
Miscellaneous Parts		
Cover Bolts (Stainless Steel - suction line service)	X25787-7	053121
Access Valve (V Option)	X11562-2	037409
Cover Gasket (Includes felt set)	X11983-1	027453
Handle	26446-1	053812
Inlet Retainer	26477-1	053813
Spring	26439-1	060258
Felt Set (3 block set)	27394-1	060278
Gasket Set	X11983-2	027454
Mounting Bracket	X28747-1	061715

STAS Exploded View



Mounting Bracket for STAS 48*

*More than one mounting bracket may be required for shell sizes 96 and above.