

# CSFD Compact Suction Line Filter-Drier

The CSFD has a compact solid desiccant core perfect for short lay-in applications. The CSFD is used for moisture, acid and solid contaminant removal. It is for use with CFC, HCFC and HFC refrigerants.



## Features

- Dual access valves for easy pressure readings
- High acid removal capacity
- Solid copper fittings for easiest brazing
- Corrosion resistant epoxy powder paint finish

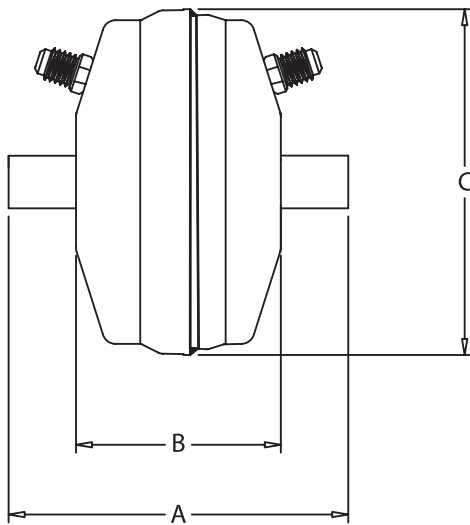
## Nomenclature example: CSFD 14S4-VV

CSFD	14	S	4	VV
Series	Unit Size	Connections S = ODF	Connection Size (in 1/8")	Dual Access Valves

## Specifications

- Filtration: 40 microns
- Maximum working pressure: 500 psig\*\*
- UL/CUL file number: SA 3124

## Dimensional Data



## Ordering Information

PCN	Description	Connection Size	Dimensions (in)		
			A	B	C
062231	CSFD-14S4-W	1/2 ODF	4.25	2.75	4.63
062232	CSFD-14S5-W	5/8 ODF	4.50		
062233	CSFD-14S6-W	3/4 ODF	4.38		
062234	CSFD-14S7-W	7/8 ODF	4.56		
062235	CSFD-14S9-W**	1 1/8 ODF	4.88		

\*\* 400 psig Maximum Working Pressure