

PRODUCT CATALOG

Evaporator Coils - Air Handlers - Manufactured Home Products - Light Commercial Coils



Aspen Background:

Aspen, headquartered in Humble, Texas, is one of the largest independent coil manufacturers in the air conditioning marketplace in the United States and Canada.

Founded in 1975 and family led since inception, we are small enough to be flexible but large enough to stand behind our products.

The Company engineers, manufactures, and markets an extensive line of residential and light commercial evaporator coils and air handlers under the Aspen brand.

We continuously invest in the business so we can provide quality products at competitive prices with short lead times that our customers have come to expect. As part of our growth path we are in the process of strengthening our sales and customer support organization to position Aspen for the next level of growth.



Why Aspen:

- Shortest lead times in the industry for both coils and air handlers
- Hiss-test-able DX and hydronic heating coils
- AHRI 210/240 certified coils and air handlers
- Flexibility to custom fit our offering to the needs of the end user (Get it your way...)
- Web access for specification sheets, warranty forms and other technical literature
- Ability to adapt to changing market demands
- Low cost-to-market advantage
- R22 and R410A compatibility
- Assembled in the USA
- Faster warranty processing via web registration, claims and administration
- Loyalty programs designed to fit our customer's needs.
- 100% of all coils pressure tested with 500 psi dry air in a water bath
- Shipped with up to 60 psi of dry nitrogen holding charge
- Industry exclusive liquid line Schrader valve provided for "hiss test"
- 100% of Air Handlers run tested
- QMS system, incorporating ISO techniques to deliver a product to the highest industry standards
- Product compliant to UL1995 4th Edition safety requirements
- Metal, Plastic and Paint compliant with respective ASTM standards
- Our warranty claims failure rates are consistent with our quality materials and manufacturing practices, and we believe they continue to exceed that of our competitors
- Industry low leak rates
- High performance thicker bottom wall copper tube than all of the competition



**Complete warranty details and registration information available at www.aspenmfg.com*

ASPEN MANUFACTURING • 373 ATASCOCITA ROAD • HUMBLE, TEXAS 77396
PHONE 800.423.9007 • FAX 281.441.6510
EMAIL INFO@ASPENMFG.COM • WEB WWW.ASPENMFG.COM



TO PLACE AN ORDER...

1. All orders MUST include the following information:

- ✓ Account # & P.O.#
- ✓ “Requested” ship date – If none, order will be placed and shipped ASAP
- ✓ COMPLETE model #, including “Option Codes” – if standard, fill in the spaces with 000
- ✓ Contact name, phone and e-mail – MUST include all three.
- ✓ ANY notes regarding special pricing, terms, shipping etc. – with supporting documentation.

2. Send Order To:

Email orders: orderentry@aspenmfg.com

Fax orders: (281) 441-6510*

*Alternate Fax (281) 441-1863 is available if difficulties are encountered with primary Fax number.
If faxing an order, it is customer's responsibility to confirm order placement.
Email orders are encouraged and preferred.

Phone orders not accepted.

RESIDENTIAL COILS

NOMENCLATURE	4
CA SERIES UNCASSED UPFLOW / DOWNFLOW COILS	5
CB SERIES DEDICATED HORIZONTAL COILS.....	6
CC SERIES CASSED UPFLOW/DOWNFLOW COILS	7
CE SERIES CASSED MULTI-POSITION COILS.....	8
CH SERIES SLAB HORIZONTAL COILS	9
CR SERIES DEDICATED HORIZONTAL PLENUM COILS W/ BUILT-IN AUX. DRAIN PAN	10
CS SERIES DEDICATED HORIZONTAL COILS.....	11
DA SERIES ALUMINUM UNCASSED UPFLOW/DOWNFLOW COILS	12
DC SERIES ALUMINUM CASSED UPFLOW/DOWNFLOW COILS	13
DE SERIES ALUMINUM CASSED MULTI-POSITION COILS.....	14
DR SERIES ALUMINUM DEDICATED HORIZONTAL PLENUM COILS W/ BUILT-IN AUX. DRAIN PAN	15
DS SERIES ALUMINUM DEDICATED HORIZONTAL COILS.....	16

LIGHT COMMERCIAL COILS

CC SERIES LIGHT COMMERCIAL CASSED UPFLOW COILS	17
BH SERIES SLAB HORIZONTAL SINGLE OR SPLIT CIRCUIT COILS	18

AIR HANDLERS

NOMENCLATURES.....	19
AAC SERIES CEILING MOUNT ELECTRIC HEAT AIR HANDLERS.....	21
AAM SERIES MULTI -POSITION ELECTRIC HEAT AIR HANDLERS	24
AAW SERIES VERTICAL WALL MOUNT ELECTRIC HEAT AIR HANDLERS	28
ABM SERIES MULTI -POSITION HYDRONIC AIR HANDLERS	32
ABW SERIES WALL MOUNT HYDRONIC HEAT AIR HANDLERS	36
AEC SERIES CEILING MOUNT ELECTRIC HEAT AIR HANDLERS.....	39
AEL SERIES MULTI-POSITION HIGH EFFICIENCY ELECTRIC FURNACE	42
AEM SERIES VARIABLE SPEED MULTI -POSITION ELECTRIC HEAT AIR HANDLERS	45
AEW SERIES VERTICAL WALL MOUNT ELECTRIC HEAT AIR HANDLERS	49
AFL SERIES MULTI -POSITION HIGH EFFICIENCY HYDRONIC FURNACE	54
AFM SERIES HIGH EFFICIENCY X13 MULTI -POSITION HYDRONIC HEAT AIR HANDLERS	58
AFW SERIES WALL MOUNT HYDRONIC HEAT AIR HANDLERS	62
CAD/WAD/MAD CEILING AND WALL ACCESS DOORS.....	65

MANUFACTURED HOUSING PRODUCTS

AED/AEU SERIES UPFLOW/DOWNFLOW CONVERTIBLE MANUFACTURED HOME ELECTRIC FURNACE KIT	67
AEN SERIES UPFLOW/DOWNFLOW MANUFACTURED HOME ELECTRIC FURNACE.....	70
CM SERIES UNCASSED DOWNFLOW COILS FOR USE W/ MFD HOME FURNACES.....	73

LEGACY PRODUCTS

NOMENCLATURE	74
22 SERIES R22 REPLACEMENT COILS	75
BHA/L/C/R/232 SERIES SLAB HORIZONTAL COILS.....	76
CP SERIES DEDICATED HORIZONTAL COILS WITH PLENUM.....	77
CQ SERIES DEDICATED HORIZONTAL COILS W/ PLENUM AND BUILT-IN AUX. DRAIN PAN	78

REFERENCE MATERIALS

METERING DEVICE SELECTION MATRIX.....	79
TXV CONVERSIONS (COMMERCIAL CC SERIES)	80
SERIAL NUMBER NOMENCLATURE.....	81

Residential Coils

RESIDENTIAL COILS

C A 24 A3 G -145 L -000

①

②

③

④

⑤

⑥

⑦

⑧

⑧ **Option Code**

⑦ **Refrigerant and plumbing connections**

- L = left-hand plumbing and refrigerant connections
- R = right-hand plumbing and refrigerant connections
- T = refrigerant out the top, plumbing out opposite sides

⑥

CA, DA Series: Drain pan width code
CB, CC, CE, CR, CS, DC, DE, DR, DS Series: Furnace width code
CH Series: cabinet width code

⑤

Metering device

- 4 = non-bleed A/C or H/P R410 TXV
- 6 = 20% bleed A/C or H/P R410 TXV
- B = 20% bleed A/C or H/P R22 TXV
- F = R-22 Flo-rater
- G = R-410A Flo-rater
- X = non-bleed A/C or H/P R22 TXV

④

Coil descriptor code (face area, rows, fpi)

③

Nominal tonnage (MBTUH)

②

Configuration

- A = uncased up/down
- B = cased dedicated horizontal LaborSaver
- C = cased up/down
- E = cased multi-position VersaCoil
- H = cased dedicated horizontal slab coil
- M = manufactured home coil
- P = cased dedicated horizontal with attached plenum
- Q = cased dedicated horizontal with attached plenum and built-in auxiliary drain
- R = cased dedicated horizontal with attached plenum and built-in auxiliary drain, 2nd generation
- S = cased dedicated horizontal LaborSaver, 2nd generation

①

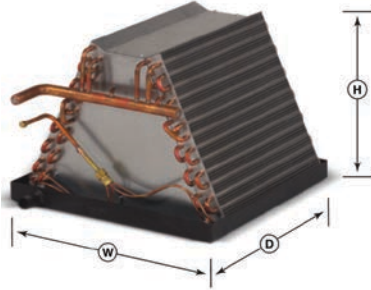
Series

- C = C Series (Copper)
- D = D Series (Aluminum)



PRODUCT DIMENSIONS & SPECIFICATIONS

CA SERIES UNCASED UPFLOW/DOWNFLOW COILS



Representative drawing only.
Some models may vary in appearance.

STANDARD SPECIFICATIONS

- Rifled copper tubing, enhanced aluminum fins.
- Immersion-tested at 500 psi, then nitrogen-pressurized and sealed.
- Left- or right-hand refrigerant and plumbing connections.
- Liquid line - 3/8" ODS, suction line - 3/4" ODS on 1-1/2- 3 ton & 7/8" ODS on 3-1/2 - 5 ton.
- Externally mounted flowrater body with Schrader valve for hiss-testing.
- Heavy duty plastic drain pans on most models.
- Upflow without field modification. Downflow applications require plate kit, included.
- AHRI certifiable with all brands of A/C and heat pump systems.
- ETL listed for use with both R-22 and R-410a when proper metering device is used.
- Ten-year limited warranty.

POPULAR OPTIONS:

- Factory or field-installable TXV.
- Powder painted stainless steel drain pan.
- Schrader mounted on suction manifold.

RESIDENTIAL COILS / CA

COIL MODEL	FLOW RATOR SIZE		DIMENSIONS						SHIPPING INFORMATION			
			PAN WIDTHS [W]"				PAN DEPTH [D]"	BARE SLAB HEIGHT [H]"	SHIPPING WEIGHT [LBS]			SKID QTY
			R22	R410a	13	16			19-1/2	23	2 ROW	
CA24A*	0.059	0.055	13	16	19-1/2		19-3/8	13-1/2	17	27	35	30
CA24B*	0.059	0.055	13	16	19-1/2		19-3/8	15-1/2	20	31	41	25
CA24C*	0.059	0.055	13	16	19-1/2		19-3/8	17-1/2	23	36	47	25
CA24D*	0.059	0.055	13	16	19-1/2		19-3/8	19-1/2	25	40	53	20
CA30A*	0.068	0.059	13	16	19-1/2		19-3/8	15-1/2	20	31	41	25
CA30B*	0.068	0.059	13	16	19-1/2		19-3/8	17-1/2	23	36	47	25
CA30C*	0.068	0.059	13	16	19-1/2		19-3/8	19-1/2	25	40	53	20
CA30D*	0.068	0.059	13	16	19-1/2		19-3/8	21-1/2	28	45	58	16
CA30E*	0.068	0.059	13	16	19-1/2		19-3/8	21-1/2	30	47	60	16
CA36A*	0.074	0.068	13 for 2, 3R; 16 for 4R	16	19-1/2		19-3/8	17-1/2	23	36	47	25
CA36B*	0.074	0.068	13 for 2, 3R; 16 for 4R	16	19-1/2		19-3/8	19-1/2	25	40	53	20
CA36C*	0.074	0.068	13 for 2, 3R; 16 for 4R	16	19-1/2		19-3/8	21-1/2	28	45	58	16
CA36D*	0.074	0.068	13 for 2, 3R; 16 for 4R	16	19-1/2		19-3/8	23-1/2	31	49	64	12
CA42A*	0.080	0.074		16	19-1/2	23	19-3/8	19-1/2	25	40	53	20
CA42B*	0.080	0.074		16	19-1/2	23	19-3/8	21-1/2	28	45	58	16
CA42C*	0.080	0.074		16	19-1/2	23	19-3/8	23-1/2	31	49	64	12
CA42D*	0.080	0.074		16	19-1/2	23	19-3/8	25-1/2	34	54	70	12
CA48A*	0.084	0.080		16	19-1/2	23	19-3/8	21-1/2	28	45	58	16
CA48B*	0.084	0.080		16	19-1/2	23	19-3/8	23-1/2	31	49	64	12
CA48C*	0.084	0.080		16	19-1/2	23	19-3/8	25-1/2	34	54	70	12
CA48D*	0.084	0.080		16	19-1/2	23	19-3/8	27-1/2	37	58	76	12
CA48F*	0.084	0.080		16	19-1/2	23	19-3/8	25-1/2	36	56	72	12
CA48G*	0.084	0.080		16	19-1/2	23	19-3/8	27-1/2	39	60	78	12
CA60A*	0.092	0.089			19-1/2	23	19-3/8	25-1/2	34	54	70	12
CA60B*	0.092	0.089			19-1/2	23	19-3/8	27-1/2	37	58	76	12
CA60C*	0.092	0.089			19-1/2 (2)	23 (2)	21-3/4	24-1/2	38	60	79	12
CA60D*	0.092	0.089			19-1/2 (2)	23 (2)	21-3/4	26-1/2	41	65	86	12
CA60E*	0.092	0.089				24 (3)	21	26-1/2	46	73	95	12
CA60F*	0.092	0.089			19-1/2	23	19-3/8	25-1/2	41	62	80	12
CA60G*	0.092	0.089				24 (3)	21	26-1/2	48	75	97	12

Notes: 1) Do not use heavy duty polypropylene drain pans on oil furnaces or other applications where outlet temperatures may exceed 290°F +/-5°F. Specify metal drain pans for these applications. 2) Metal drain pan. 3) Metal drain pan. Slab rotated 90°. Refrigerant and plumbing connections still exit in front. 4) Only metal drain pans are available for 13" and 16" wide 4 row coils.

Phone: 281.441.6500
Toll Free: 800.423.9007
Fax: 281.441.6510

www.aspenmfg.com

* For complete warranty details visit www.aspenmfg.com.



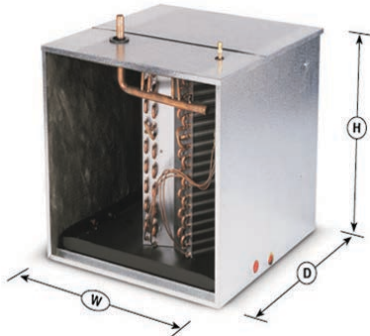
Revised 10/25/19. In keeping with its policy of continuous progress and product improvement, Aspen reserves the right to make changes without notice and incurring obligation. © 2019





PRODUCT DIMENSIONS & SPECIFICATIONS

**CB SERIES
DEDICATED HORIZONTAL COILS**



Representative drawing only.
Some models may vary in appearance.

STANDARD SPECIFICATIONS

- Rified copper tubing, enhanced aluminum fins.
- Immersion-tested at 500 psi, then nitrogen-pressurized and sealed.
- Liquid line - 3/8" ODS, suction line - 3/4" ODS on 1-1/2- 3 ton & 7/8" ODS on 3-1/2 - 5 ton.
- Inlet and outlet dimensions are identical (without end caps).
- Externally mounted flowrater body with Schrader valve for hiss-testing.
- Refrigerant lines exit from the top of the coil.
- Split access doors on top of the coil for easy service.
- Embossed galvanized cabinets standard.
- Top, bottom, and side flanges for furnace connection
- Fully insulated cabinets with faced insulation.
- Heavy duty plastic drain pan with four 3/4" FPT galvanized condensate drains (two per side). Pan is positively sloped toward drains.
- AHRI certifiable with all brands of A/C and heat pump systems.
- ETL listed for use with R-22 and R-410a when proper metering device is used.
- Ten-year limited warranty.

POPULAR OPTIONS:

- Factory or field-installable TXV.
- Powder painted stainless steel drain pan.
- Schrader mounted on suction manifold, external to cabinet.

COIL MODEL	PISTON SIZE		DIMENSIONS			SHIPPING INFORMATION			
	R22	R410a	CABINET WIDTH [W]"	CABINET DEPTH [D]"	MAX FURNACE WIDTH [OR HEIGHT WHEN HORZ.]	SHIPPING WEIGHT (LBS)			SKID QTY
						2 ROW	3 ROW	4 ROW	
CB24A*	0.059	0.055	22	22-3/4	16-3/4	29	37	45	16
CB24B*	0.059	0.055	22	22-3/4	16-3/4	34	44	52	16
CB24C*	0.059	0.055	22	22-3/4	20-3/4	37	47	56	16
CB24D*	0.059	0.055	22	22-3/4	20-3/4	43	55	65	16
CB30A*	0.068	0.059	22	22-3/4	16-3/4	34	44	52	16
CB30B*	0.068	0.059	22	22-3/4	16-3/4	39	50	59	16
CB30C*	0.068	0.059	22	22-3/4	20-3/4	43	55	65	16
CB30D*	0.068	0.059	22	22-3/4	20-3/4	49	62	74	16
CB30E*	0.068	0.059	22	22-3/4	20-3/4	37	47	56	16
CB36A*	0.074	0.068	22	22-3/4	16-3/4	39	50	59	16
CB36B*	0.074	0.068	22	22-3/4	16-3/4	44	56	67	16
CB36C*	0.074	0.068	22	22-3/4	20-3/4	49	62	74	16
CB36D*	0.074	0.068	22	22-3/4	20-3/4	55	70	83	16
CB36E*	0.074	0.068	22	22-3/4	20-3/4	42	53	63	16
CB42A*	0.080	0.074	22	22-3/4	18-3/4	44	56	67	16
CB42B*	0.080	0.074	22	22-3/4	18-3/4	49	63	75	16
CB42C*	0.080	0.074	22	22-3/4	22-3/4	54	69	82	12
CB42D*	0.080	0.074	22	22-3/4	22-3/4	60	77	92	12
CB42E*	0.080	0.074	22	22-3/4	22-3/4	47	60	71	12
CB48A*	0.084	0.080	22	22-3/4	20-3/4	49	63	75	16
CB48B*	0.084	0.080	22	22-3/4	20-3/4	55	70	83	16
CB48C*	0.084	0.080	22	22-3/4	24-3/4	60	77	92	12
CB48D*	0.084	0.080	22	22-3/4	24-3/4	67	86	102	12
CB48E*	0.084	0.080	22	22-3/4	24-3/4	52	67	79	12
CB60A*	0.092	0.089	22	22-3/4	24-3/4	60	77	92	12
CB60B*	0.092	0.089	22	22-3/4	24-3/4	67	86	102	12
CB60C*	0.092	0.089	22	22-3/4	26-3/4	71	91	108	12
CB60D* (1)	0.092	0.089	22	25	26-3/4	79	101	120	12
CB60E*	0.092	0.089	22	22-3/4	26-3/4	64	82	97	12
CB60F*	0.092	0.089	22	22-3/4	20-3/4	55	70	83	16
CB60G*	0.092	0.089	22	22-3/4	24-3/4	69	88	104	12

Note: (1) Primary pan constructed of powder-painted galvanized steel. If ordering auxiliary pan, please specify #1823.

Phone: 281.441.6500
Toll Free: 800.423.9007
Fax: 281.441.6510
www.aspenmfg.com



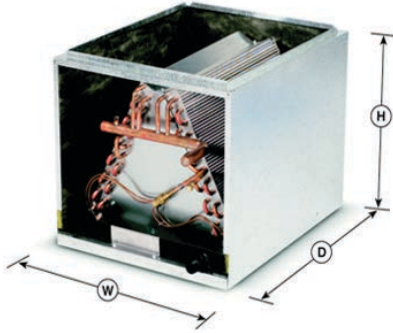
* For complete warranty details visit www.aspenmfg.com.

Revised 10/25/19. In keeping with its policy of continuous progress and product improvement, Aspen reserves the right to make changes without notice and incurring obligation. © 2019



PRODUCT DIMENSIONS & SPECIFICATIONS

CC SERIES CASED UPFLOW/DOWNFLOW COILS



Unit shown with service panels removed. Representative drawing only. Some models may vary in appearance. Duct opening dimensions can be ascertained by subtracting 1 1/2" for top opening width/depth, 3/4" for bottom opening.

STANDARD SPECIFICATIONS

- Rifled copper tubing, enhanced aluminum fins
- Immersion-tested at 500 psi, then nitrogen-pressurized and sealed
- Left- or right-hand refrigerant and plumbing connections
- Liquid line - 3/8" ODS, suction line - 3/4" ODS on 1-1/2-3 ton & 7/8" ODS on 3-1/2 - 5 ton
- Externally mounted flowrater body with Schrader valve for hiss-testing
- Heavy duty plastic drain pans on most models
- Embossed galvanized cabinets standard. Cabinets feature furnace connectors (patent pending)
- Upflow without field modification. Downflow applications require plate kit, included
- Split access doors in front for easy service
- Fully insulated cabinets with faced insulation
- Ten-year limited warranty
- AHRI certifiable with all brands of A/C and heat pump systems
- ETL listed for use with R22 and R410a when proper metering device is used

POPULAR OPTIONS:

- Factory or field-installable TXV available
- Painted cabinets
- Powder-painted metal or stainless pans
- Schrader mounted on suction manifold, external to cabinet
- Bikini cabinets

RESIDENTIAL COILS CC

COIL MODEL	PISTON SIZE		DIMENSIONS				SHIPPING INFORMATION			
			CABINET WIDTH [W]"		CABINET DEPTH [D]"	CABINET HEIGHT [H]"	SHIPPING WEIGHT (LBS)			SKID QTY
			MIN WIDTH	MAX WIDTH			2 ROW	3 ROW	4 ROW	
CC24A*	0.059	0.055	14	23	21-1/2	16	29	37	45	20
CC24B*	0.059	0.055	14	23	21-1/2	16	34	44	52	20
CC24C*	0.059	0.055	14	23	21-1/2	20	39	50	59	16
CC24D*	0.059	0.055	14	23	21-1/2	20	44	56	67	16
CC30A*	0.068	0.059	14	23	21-1/2	16	34	44	52	20
CC30B*	0.068	0.059	14	23	21-1/2	20	39	50	59	16
CC30C*	0.068	0.059	14	23	21-1/2	20	44	56	67	16
CC30D*	0.068	0.059	14	23	21-1/2	24	49	62	74	12
CC30E*	0.068	0.059	14	23	21-1/2	24	51	64	76	12
CC36A*	0.074	0.068	2/3R-14, 4R-17	23	21-1/2	20	39	50	59	16
CC36B*	0.074	0.068	2/3R-14, 4R-17	23	21-1/2	20	44	56	67	16
CC36C*	0.074	0.068	2/3R-14, 4R-17	23	21-1/2	24	49	62	74	12
CC36D*	0.074	0.068	2/3R-14, 4R-17	23	21-1/2	24	54	69	82	12
CC36E*	0.074	0.068	2/3R-14, 4R-17	23	21-1/2	20	39	50	59	16
CC36F*	0.074	0.068	17	26-1/2	21-1/2	28	63	81	96	12
CC42A*	0.080	0.074	17	26-1/2	21-1/2	20	44	56	67	16
CC42B*	0.080	0.074	17	26-1/2	21-1/2	24	49	62	74	12
CC42C*	0.080	0.074	17	26-1/2	21-1/2	24	54	69	82	12
CC42D*	0.080	0.074	17	26-1/2	21-1/2	28	58	75	89	12
CC42E*	0.080	0.074	17	26-1/2	21-1/2	20	44	45	67	16
CC42F*	0.080	0.074	17	26-1/2	21-1/2	28	63	81	96	12
CC48A*	0.084	0.080	17	26-1/2	21-1/2	24	49	62	74	12
CC48B*	0.084	0.080	17	26-1/2	21-1/2	24	54	69	82	12
CC48C*	0.084	0.080	17	26-1/2	21-1/2	28	58	75	89	12
CC48D*	0.084	0.080	17	26-1/2	21-1/2	28	63	81	96	12
CC48E*	0.084	0.080	17	26-1/2	21-1/2	28	60	77	91	12
CC48F*	0.084	0.080	17	26-1/2	21-1/2	28	65	83	98	12
CC60A*	0.092	0.089	20-1/2	26-1/2	21-1/2	28	58	75	89	12
CC60B*	0.092	0.089	20-1/2	26-1/2	21-1/2	28	63	81	96	12
CC60C* (3)	0.092	0.089	20-1/2	26-1/2	23	28	66	84	100	12
CC60D* (3)	0.092	0.089	20-1/2	26-1/2	23	28	71	91	108	12
CC60E* (3)	0.092	0.089	24-1/2	26-1/2	21-1/2	28	79	101	120	12
CC60F*	0.092	0.089	20-1/2	26-1/2	21-1/2	28	60	77	91	12
CC60G* (4)	0.092	0.089	24-1/2	26-1/2	21-1/2	28	81	103	122	12

Notes: 1) Not all drain pan sizes are currently available in heavy duty plastic. Check with your local Aspen representative for current availability. 2) Do not use heavy duty plastic drain pans on oil furnaces or other applications where outlet temperatures may exceed 290°F +/-5°F. Specify metal drain pans for these applications. 3) Metal drain pan. Slab is rotated 90° inside cabinet. Refrigerant and plumbing connections still exit cabinet front. 4) Metal drain pan.

Phone: 281.441.6500
Toll Free: 800.423.9007
Fax: 281.441.6510
www.aspenmfg.com



* For complete warranty details visit www.aspenmfg.com.

Revised 09/17/20. In keeping with its policy of continuous progress and product improvement, Aspen reserves the right to make changes without notice and incurring obligation. © 2020

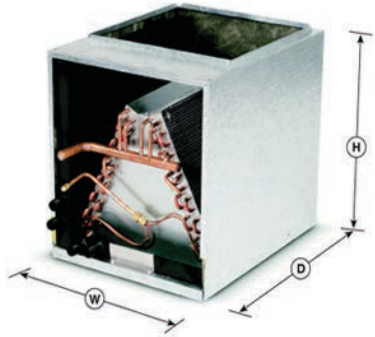


PRODUCT DIMENSIONS & SPECIFICATIONS



CE SERIES CASED MULTI-POSITION COILS

RESIDENTIAL COILS / CE



Unit shown with service panels removed. Representative drawing only. Some models may vary in appearance. Duct opening dimensions can be ascertained by subtracting 1 1/2" for top opening width/depth, 3/4" for bottom opening.

STANDARD SPECIFICATIONS

- Rified copper tubing, enhanced aluminum fins.
- Immersion-tested at 500 psi, then nitrogen-pressurized and sealed.
- Left- or right-hand refrigerant and plumbing connections.
- Liquid line - 3/8" ODS, suction line - 3/4" ODS on 1-1/2- 3 ton & 7/8" ODS on 3-1/2 - 5 ton.
- Externally mounted flowrater body with Schrader valve for hiss-testing.
- Heavy duty plastic upflow drains pans on most models, powder coated galvanized steel horizontal drain pans standard on all.
- Embossed galvanized cabinets standard. Cabinets feature furnace connectors (patent pending).
- Upflow, horizontal right, or horizontal left without field modification. Downflow applications require plate kit, included.
- Split access doors in front for easy service.
- Fully insulated cabinets with faced insulation.
- Ten-year limited warranty.
- AHRI certifiable with all brands of A/C and heat pump systems.
- ETL listed for use with R22 and R410a when proper metering device is used.

POPULAR OPTIONS:

- Factory or field-installable TXV available.
- Painted cabinets.
- Powder-painted metal or stainless pans.
- Schrader mounted on suction manifold, external to cabinet.

COIL MODEL	PISTON SIZE		DIMENSIONS				SHIPPING INFORMATION			
			CABINET WIDTH (W)"		CABINET DEPTH (D)"	CABINET HEIGHT (H)"	SHIPPING WEIGHT (LBS)			SKID QTY
			MIN WIDTH	MAX WIDTH			2 ROW	3 ROW	4 ROW	
CE24A*	0.059	0.055	14	23	21-1/2	19	31	39	46	20
CE24B*	0.059	0.055	14	23	21-1/2	19	36	45	54	20
CE24C*	0.059	0.055	14	23	21-1/2	23	41	52	61	12
CE24D*	0.059	0.055	14	23	21-1/2	23	46	58	69	12
CE30A*	0.068	0.059	14	23	21-1/2	19	36	45	54	20
CE30B*	0.068	0.059	14	23	21-1/2	23	41	52	61	12
CE30C*	0.068	0.059	14	23	21-1/2	23	46	58	69	12
CE30D*	0.068	0.059	14	23	21-1/2	27	52	65	77	12
CE30E*	0.068	0.059	14	23	21-1/2	27	54	67	79	12
CE36A*	0.074	0.068	14 for 2, 3R; 17 for 4R	23	21-1/2	23	41	52	61	12
CE36B*	0.074	0.068	14 for 2, 3R; 17 for 4R	23	21-1/2	23	46	58	69	12
CE36C*	0.074	0.068	14 for 2, 3R; 17 for 4R	23	21-1/2	27	52	65	77	12
CE36D*	0.074	0.068	14 for 2, 3R; 17 for 4R	23	21-1/2	27	57	71	84	12
CE36E*	0.074	0.068	17	26-1/2	21-1/2	30	67	84	100	10
CE42A*	0.080	0.074	17	26-1/2	21-1/2	23	46	58	69	12
CE42B*	0.080	0.074	17	26-1/2	21-1/2	27	52	65	77	12
CE42C*	0.080	0.074	17	26-1/2	21-1/2	27	57	71	84	12
CE42D*	0.080	0.074	17	26-1/2	21-1/2	30	62	78	92	10
CE48A*	0.084	0.080	17	26-1/2	21-1/2	27	52	65	77	12
CE48B*	0.084	0.080	17	26-1/2	21-1/2	27	57	71	84	12
CE48C*	0.084	0.080	17	26-1/2	21-1/2	30	62	78	92	10
CE48D*	0.084	0.080	17	26-1/2	21-1/2	30	67	84	100	10
CE48E*	0.084	0.080	17	26-1/2	21-1/2	30	64	80	94	10
CE48G*	0.084	0.080	17	26-1/2	21-1/2	30	69	86	102	10
CE60A*	0.092	0.089	20-1/2	26-1/2	21-1/2	30	62	78	92	10
CE60B*	0.092	0.089	20-1/2	26-1/2	21-1/2	30	67	84	100	10
CE60C* (3)	0.092	0.089	20-1/2	26-1/2	23	30	70	88	104	10
CE60D* (3)	0.092	0.089	20-1/2	26-1/2	23	30	76	95	112	10
CE60F*	0.092	0.089	20-1/2	26-1/2	21-1/2	30	64	80	94	10

Notes: 1) Not all drain pan sizes are currently available in heavy duty plastic. Check with your local Aspen representative for current availability. 2) Do not use heavy duty plastic drain pans on oil furnaces or other applications where outlet temperatures may exceed 290°F +/-5°F. Specify metal drain pans for these applications. 3) Metal drain pan. Slab is rotated 90° inside cabinet. Refrigerant and plumbing connections still exit cabinet front.

Phone: 281.441.6500
Toll Free: 800.423.9007
Fax: 281.441.6510
www.aspenmfg.com



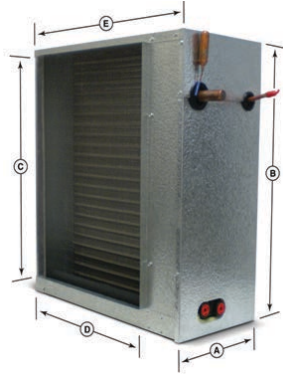
* For complete warranty details visit www.aspenmfg.com.

Revised 09/17/20. In keeping with its policy of continuous progress and product improvement, Aspen reserves the right to make changes without notice and incurring obligation. © 2020



PRODUCT DIMENSIONS & SPECIFICATIONS

CH SERIES SLAB HORIZONTAL COILS



Representative drawing only.
Some models may vary in appearance.

STANDARD SPECIFICATIONS

- Rified copper tubing, enhanced aluminum fins.
- Immersion-tested at 500 psi, then nitrogen-pressurized and sealed.
- Liquid line - 3/8" ODS, suction line - 3/4" ODS on 1-1/2- 3 ton & 7/8" ODS on 3-1/2 - 5 ton.
- Two 3/4" FPT condensate drains (primary and secondary)
- Powder-painted stainless steel drain pans.
- Externally mounted flowrater body with Schrader valve for hiss-testing..
- Split access doors for easy service.
- Fully insulated cabinets with faced insulation.
- AHRI certifiable with all brands of A/C and heat pump systems.
- ETL listed for use with both R-22 and R-410a when proper metering device is used.
- Ten-year limited warranty.

POPULAR OPTIONS:

- Factory or field-installable TXV.
- Schrader mounted on suction manifold, external to cabinet.

COIL MODEL	FLOW RATOR SIZE		DIMENSIONS					SHIPPING INFORMATION			
			WIDTH	HEIGHT	OPENING		LENGTH	SHIPPING WEIGHT (LBS)			SKID QTY
	R22	R410a	A"	B"	C"	D"	E"	2 ROW	3 ROW	4 ROW	
CH24A*	0.059	0.055	10	23-1/2	21	16	21-1/2	20	34	N/A	14
CH24B*	0.059	0.055	10	23-1/2	21	24	29-1/2	29	43	N/A	14
CH36A*	0.074	0.068	10	23-1/2	21	24	29-1/2	29	43	N/A	14
CH36B*	0.074	0.068	10	23-1/2	21	30	35-1/2	35	49	N/A	14
CH48A*	0.084	0.080	10	23-1/2	21	30	35-1/2	35	49	N/A	14
CH48B*	0.084	0.080	10	23-1/2	21	36	41-1/2	42	56	N/A	8
CH60A*	0.092	0.089	10	23-1/2	21	36	41-1/2	N/A	56	70	8
CH60B*	0.092	0.089	10	23-1/2	21	42	47-1/2	N/A	66	80	8

RESIDENTIAL COILS / CH

Phone: 281.441.6500
Toll Free: 800.423.9007
Fax: 281.441.6510
www.aspenmfg.com



* For complete warranty details visit www.aspenmfg.com.

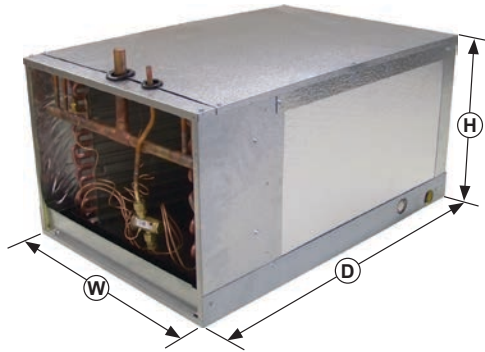
Revised 10/25/19. In keeping with its policy of continuous progress and product improvement, Aspen reserves the right to make changes without notice and incurring obligation. © 2019



PRODUCT DIMENSIONS & SPECIFICATIONS



CR SERIES DEDICATED HORIZONTAL PLENUM COIL WITH BUILT-IN AUXILIARY DRAIN PAN



Representative image only. Some models may vary in appearance. Due to continuous product improvement, specifications are subject to change without notice.

STANDARD SPECIFICATIONS

- Rified copper tubing, enhanced aluminum fins
- Immersion-tested at 500 psi, then nitrogen-pressurized and sealed
- Liquid line - 3/8" ODS, suction line - 3/4" ODS on 1-1/2-3 ton & 7/8" ODS on 3-1/2 - 5 ton.
- Externally mounted flowrater body or internally mounted factory-installed TXV
- Schrader valve on liquid line for hiss-testing
- Refrigerant lines exit top of coil
- Split access doors on top of coil for easy service
- Plastic drain pans (primary and secondary)
- Built-in auxiliary drain pan with 3/4" FPT
- Plenum sides and end constructed of foil-backed faced fiberglass ductboard. Plenum top and bottom constructed of galvanized steel
- AHRI certifiable with all brands of A/C and heat pump systems
- ETL listed for use with R-22 and R-410a when proper metering device is used
- Patented design (Patent No. 8,869,548 B2)
- Ten-year limited warranty with registration

COIL MODEL	R410a PISTON SIZE	DIMENSIONS			SHIPPING INFORMATION			
		CABINET WIDTH [W]"	CABINET DEPTH [D]"	CABINET HEIGHT [H]"	SHIPPING WEIGHT (LBS)			SKID QTY
					2 ROW	3 ROW	4 ROW	
CR24A*	0.055	20-1/2	31	15-1/2	42	51	N/A	8
CR24B*	0.055	20-1/2	31	19-1/2	47	56	N/A	8
CR24C*	0.055	20-1/2	31	23-1/2	57	69	N/A	8
CR30A*	0.059	20-1/2	31	15-1/2	48	58	N/A	8
CR30B*	0.059	20-1/2	31	19-1/2	47	56	N/A	8
CR30C*	0.059	20-1/2	31	23-1/2	57	69	N/A	8
CR36A*	0.068	20-1/2	31	15-1/2	55	66	N/A	8
CR36B*	0.068	20-1/2	31	19-1/2	55	66	N/A	8
CR36C*	0.068	20-1/2	31	23-1/2	57	69	N/A	8
CR36D*	0.068	20-1/2	40	19-1/2	93	112	N/A	8
CR42A*	0.074	20-1/2	40	19-1/2	62	75	N/A	8
CR42B*	0.074	20-1/2	40	23-1/2	67	80	N/A	8
CR42C*	0.074	20-1/2	40	25-1/2	62	75	N/A	8
CR48A*	0.08	20-1/2	40	23-1/2	76	92	N/A	8
CR48B*	0.08	20-1/2	40	25-1/2	73	87	N/A	8
CR48C*	0.08	20-1/2	40	25-1/2	93	112	135	8
CR60A*	0.089	20-1/2	40	23-1/2	124	149	N/A	8
CR60B*	0.089	20-1/2	40	25-1/2	125	150	180	8

Phone: 281.441.6500
Toll Free: 800.423.9007
Fax: 281.441.6510
www.aspenmfg.com



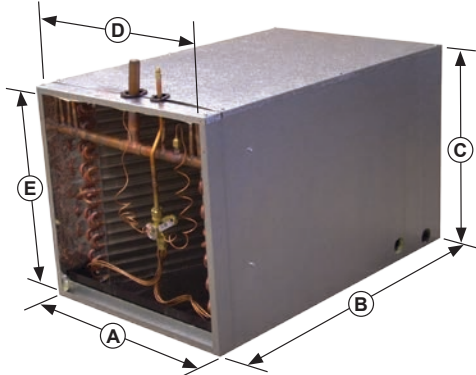
* For complete warranty details visit www.aspenmfg.com.

Revised 10/25/19. In keeping with its policy of continuous progress and product improvement, Aspen reserves the right to make changes without notice and incurring obligation. © 2019



PRODUCT DIMENSIONS & SPECIFICATIONS

CS SERIES DEDICATED HORIZONTAL COILS



Representative image only. Some models may vary in appearance. Due to continuous product improvement, specifications are subject to change without notice.

STANDARD SPECIFICATIONS

- Riffled copper tubing, enhanced aluminum fins.
- Immersion-tested at 500 psi, then nitrogen-pressurized and sealed.
- Liquid line - 3/8" ODS, suction line - 3/4" ODS on 1-1/2-3 ton & 7/8" ODS on 3-1/2 - 5 ton.
- Inlet and outlet dimensions are identical (without end caps).
- Externally mounted flowrater body with Schrader valve for hiss-testing or internally mounted factory-installed TXV.
- Refrigerant lines exit from the top of the coil.
- Split access doors on top of the coil for easy service.
- Embossed galvanized cabinets standard.
- Top, bottom, and side flanges for furnace connection
- Fully insulated cabinets with faced insulation.
- Heavy duty plastic drain pan with four 3/4" FPT condensate drains (two per side).
- AHRI certifiable with all brands of A/C and heat pump systems.
- ETL listed for use with R-22 and R-410a when proper metering device is used.
- Ten-year limited warranty with registration

RESIDENTIAL COILS / CS

COIL MODEL	R 410a PISTON SIZE	DIMENSIONS					SHIPPING INFORMATION			
		Cabinet Width [A"]	Cabinet Depth [B"]	Cabinet Height [C"]	Inside Width [D"]	Inside Height [E"]	SHIPPING WEIGHT [LBS]			SKID QTY
							2 ROW	3 ROW	4 ROW	
CS24A*	0.055	19 1/2	31	15	18 1/4	14	35	45	N/A	16
CS24B*	0.055	19 1/2	31	19	18 1/4	18	39	50	N/A	16
CS24C*	0.055	19 1/2	31	23	18 1/4	22	47	61	N/A	16
CS30A*	0.059	19 1/2	31	15	18 1/4	14	40	52	N/A	16
CS30B*	0.059	19 1/2	31	19	18 1/4	18	39	50	N/A	16
CS30C*	0.059	19 1/2	31	23	18 1/4	22	47	61	N/A	16
CS36A*	0.068	19 1/2	31	15	18 1/4	14	45	58	N/A	16
CS36B*	0.068	19 1/2	31	19	18 1/4	18	45	58	N/A	16
CS36C*	0.068	19 1/2	31	23	18 1/4	22	47	61	N/A	12
CS36D*	0.068	19 1/2	31	19	18 1/4	18	78	100	N/A	16
CS42A*	0.074	19 1/2	31	19	18 1/4	18	52	66	N/A	16
CS42B*	0.074	19 1/2	31	23	18 1/4	22	55	71	N/A	16
CS42C*	0.074	19 1/2	31	25	18 1/4	24	52	66	N/A	12
CS48A*	0.08	19 1/2	31	23	18 1/4	22	63	81	N/A	12
CS48B*	0.08	19 1/2	31	25	18 1/4	24	60	78	N/A	12
CS48C*	0.08	19 1/2	31	25	18 1/4	24	78	100	128	12
CS60A*	0.089	19 1/2	31	23	18 1/4	22	103	132	N/A	12
CS60B*	0.089	19 1/2	31	25	18 1/4	24	104	133	171	12

Phone: 281.441.6500
Toll Free: 800.423.9007
Fax: 281.441.6510
www.aspenmfg.com



* For complete warranty details visit www.aspenmfg.com.

Revised 10/25/19. In keeping with its policy of continuous progress and product improvement, Aspen reserves the right to make changes without notice and incurring obligation. © 2019



PRODUCT DIMENSIONS & SPECIFICATIONS

DA SERIES ALUMINUM UNCASED UPFLOW/DOWNFLOW COILS



Representative drawing only.
Some models may vary in appearance.

STANDARD SPECIFICATIONS

- Rifled Aluminum tubing, enhanced Aluminum fins
- Air pressure tested at 500 psi, leak tested with helium, then sealed and nitrogen pressurized
- Left- or right-hand refrigerant and plumbing connections
- Externally mounted flowrator body with Schrader valve for hiss-testing
- Heavy duty plastic or metal drain pans
- Upflow without field modification. Downflow application require field kit (included)
- AHRI certifiable with all brand of AC and HP systems
- ETL listed for use with both R-22 and R-410A when proper metering device is used
- Ten year limited warranty

POPULAR OPTIONS:

- Factory or field-installed TXV
- Powder painted stainless steel drain pan

COIL MODEL	FLOWRATOR SIZE		DIMENSIONS						SHIPPING INFORMATION			
			PAN WIDTHS [W]"				PAN DEPTH [D]"	BARE SLAB HEIGHT [H]"	SHIPPING WEIGHT [LBS]			SKID QTY
			R 22	R 410 a	13	16			19-1/2	23	2 ROW	
DA24A*	0.059	0.055	13	16	19 1/2		19 3/8	13 1/2	11	16	21	30
DA24B*	0.059	0.055	13	16	19 1/2		19 3/8	15 1/2	12	18	24	25
DA24C*	0.059	0.055	13	16	19 1/2		19 3/8	17 1/2	14	22	28	25
DA24D*	0.059	0.055	13	16	19 1/2		19 3/8	19 1/2	15	24	32	20
DA30A*	0.068	0.059	13	16	19 1/2		19 3/8	15 1/2	12	18	24	25
DA30B*	0.068	0.059	13	16	19 1/2		19 3/8	17 1/2	14	22	28	25
DA30C*	0.068	0.059	13	16	19 1/2		19 3/8	19 1/2	15	24	32	20
DA30D*	0.068	0.059	13	16	19 1/2		19 3/8	21 1/2	17	27	35	16
DA36A*	0.074	0.068	13 FOR 2,3R; 16 FOR 4R	16	19 1/2		19 3/8	17 1/2	14	22	28	25
DA36B*	0.074	0.068	13 FOR 2,3R; 16 FOR 4R	16	19 1/2		19 3/8	19 1/2	15	24	32	20
DA36C*	0.074	0.068	13 FOR 2,3R; 16 FOR 4R	16	19 1/2		19 3/8	21 1/2	17	27	35	16
DA36D*	0.074	0.068	13 FOR 2,3R; 16 FOR 4R	16	19 1/2		19 3/8	23 1/2	19	29	38	12
DA42A*	0.080	0.074		16	19 1/2	23	19 3/8	19 1/2	15	24	32	20
DA42B*	0.080	0.074		16	19 1/2	23	19 3/8	21 1/2	17	27	35	16
DA42C*	0.080	0.074		16	19 1/2	23	19 3/8	23 1/2	19	29	38	12
DA42D*	0.080	0.074		16	19 1/2	23	19 3/8	25 1/2	20	32	42	12
DA48A*	0.084	0.080		16	19 1/2	23	19 3/8	21 1/2	17	27	35	16
DA48B*	0.084	0.080		16	19 1/2	23	19 3/8	23 1/2	19	29	38	12
DA48C*	0.084	0.080		16	19 1/2	23	19 3/8	25 1/2	20	32	42	12
DA48D*	0.084	0.080		16	19 1/2	23	19 3/8	27 1/2	22	35	46	12
DA60A*	0.092	0.089			19 1/2	23	19 3/8	25 1/2	20	32	42	12
DA60B*	0.092	0.089			19 1/2	23	19 3/8	27 1/2	22	35	46	12
DA60C*	0.092	0.089			19 1/2	23	21 3/4	27 1/2	25	39	52	12
DA60D*	0.092	0.089			19 1/2	23	21 3/4	31 1/2	29	45	60	12

Notes: 1) Do not use plastic drain pans on oil furnaces or other applications where outlet temperatures may exceed 290 F. Specialty metal drain pans used for these applications.
2) Metal drain pan 3) For all coils - Liquid line 3/8 ODS; suction line 3/4" ODS for DA24-36, 7/8" for DA42-60

Phone: 281.441.6500
Toll Free: 800.423.9007
Fax: 281.441.6510
www.aspenmfg.com



* For complete warranty details visit www.aspenmfg.com.

Revised 10/25/19. In keeping with its policy of continuous progress and product improvement, Aspen reserves the right to make changes without notice and incurring obligation. © 2019

**DC SERIES ALUMINUM
CASED UPFLOW/DOWNFLOW COILS**



Unit shown with service panels removed. Representative photo only. Some models may vary in appearance. Duct opening dimensions can be ascertained by subtracting 1 1/2" for top opening width/depth, 3/4" for bottom opening.

STANDARD SPECIFICATIONS

- Rifled Aluminum tubing, enhanced Aluminum fins
- Air pressure tested at 500 psi, leak tested with helium, then sealed and nitrogen pressurized
- Left- or right-hand refrigerant and plumbing connections
- Externally mounted flowrator body with Schrader valve for hiss-testing
- Heavy duty plastic or metal drain pans
- Embossed galvanized cabinets standard. Cabinet feature furnace connectors
- Upflow without field modification. Downflow application require field kit (included)
- Split access doors in front of cabinet for east service access
- Fully insulated foil-faced insulation
- AHRI certifiable with all brand of AC and HP systems
- ETL listed for use with both R-22 and R-410A when proper metering device is used
- Ten year limited warranty

POPULAR OPTIONS:

- Factory or field-installed TXV
- Painted cabinets
- Powder painted stainless steel drain pan

COIL MODEL	PISTON SIZE		DIMENSIONS				SHIPPING INFORMATION			
			CABINET WIDTH (W)"		CABINET DEPTH (D)"	CABINET HEIGHT (H)"	SHIPPING WEIGHT (LBS)			SKID QTY
			MIN WIDTH	MAX WIDTH			2 ROW	3 ROW	4 ROW	
DC24A*	0.059	0.055	14 ²	21	21 1/2	16	23	26	31	20
DC24B*	0.059	0.055	14 ²	21	21 1/2	16	26	29	35	20
DC24C*	0.059	0.055	14 ²	21	21 1/2	20	30	36	40	16
DC24D*	0.059	0.055	14 ²	21	21 1/2	20	34	40	46	16
DC30A*	0.068	0.059	14 ²	21	21 1/2	16	26	29	35	20
DC30B*	0.068	0.059	14 ²	21	21 1/2	20	30	36	40	16
DC30C*	0.068	0.059	14 ²	21	21 1/2	20	34	40	46	16
DC30D*	0.068	0.059	14 ²	21	21 1/2	24	39	44	41	12
DC36A*	0.074	0.068	14 FOR 2,3R; 17 FOR 4R	21	21 1/2	20	30	36	40	16
DC36B*	0.074	0.068	14 FOR 2,3R; 17 FOR 4R	21	21 1/2	20	34	40	46	16
DC36C*	0.074	0.068	14 FOR 2,3R; 17 FOR 4R	21	21 1/2	24	39	44	41	12
DC36D*	0.074	0.068	14 FOR 2,3R; 17 FOR 4R	21	21 1/2	24	43	49	50	12
DC42A*	0.080	0.074	17 ²	24 1/2	21 1/2	20	34	40	46	16
DC42B*	0.080	0.074	17 ²	24 1/2	21 1/2	24	39	44	41	12
DC42C*	0.080	0.074	17 ²	24 1/2	21 1/2	24	43	49	50	12
DC42D*	0.080	0.074	17 ²	24 1/2	21 1/2	28	44	53	61	12
DC48A*	0.084	0.080	17 ²	24 1/2	21 1/2	24	39	44	41	12
DC48B*	0.084	0.080	17 ²	24 1/2	21 1/2	24	43	49	50	12
DC48C*	0.084	0.080	17 ²	24 1/2	21 1/2	28	44	53	61	12
DC48D*	0.084	0.080	17 ²	24 1/2	21 1/2	28	48	60	65	12
DC60A*	0.092	0.089	20 1/2	24 1/2	21 1/2	28	44	53	61	12
DC60B*	0.092	0.089	20 1/2	24 1/2	21 1/2	28	48	53	61	12
DC60C* (2)	0.092	0.089	20 1/2 ²	24 1/2 ²	23	28	51	65	72	12
DC60D* (2)	0.092	0.089	20 1/2 ²	24 1/2 ²	23	33	54	67	75	12

Notes: 1) Do not use plastic drain pans on oil furnaces or other applications where outlet temperatures may exceed 290 F. Specialty metal drain pans used for these applications.
2) Metal drain pan 3) For all coils - Liquid line 3/8 ODS, suction line 3/4" ODS for DC24-36, 7/8" for DC42-60

Phone: 281.441.6500
Toll Free: 800.423.9007
Fax: 281.441.6510
www.aspenmfg.com



* For complete warranty details visit www.aspenmfg.com.

Revised 02/09/21. In keeping with its policy of continuous progress and product improvement, Aspen reserves the right to make changes without notice and incurring obligation. © 2021

PRODUCT DIMENSIONS & SPECIFICATIONS



DE SERIES ALUMINUM CASED MULTI-POSITION COILS

RESIDENTIAL COILS / DE



Unit shown with service panels removed. Representative photo only. Some models may vary in appearance. Duct opening dimensions can be ascertained by subtracting 1 1/2" for top opening width/depth, 3/4" for bottom opening.

STANDARD SPECIFICATIONS

- Riffed Aluminum tubing, enhanced Aluminum fins
- Air pressure tested at 500 psi, leak tested with helium, then sealed and nitrogen pressurized
- Left- or right-hand refrigerant and plumbing connections
- Externally mounted flowrator body with Schrader valve for hiss-testing
- Heavy duty plastic or metal drain pans, powder coated galvanized steel horizontal drain pans standard
- Embossed galvanized cabinets standard. Cabinet feature furnace connectors
- Upflow, horizontal right, and horizontal left without field modification. Downflow application require field kit (included)
- Split access doors in front of cabinet for east service access
- Fully insulated foil-faced insulation
- AHRI certifiable with all brand of AC and HP systems
- ETL listed for use with both R-22 and R-410A when proper metering device is used
- Ten year limited warranty

POPULAR OPTIONS:

- Factory or field-installed TXV
- Painted cabinets
- Powder painted stainless steel drain pan

COIL MODEL	PISTON SIZE		DIMENSIONS				SHIPPING INFORMATION			
			CABINET WIDTH (W)"		CABINET DEPTH (D)"	CABINET HEIGHT (H)"	SHIPPING WEIGHT (LBS)			SKID QTY
			MIN WIDTH	MAX WIDTH			2 ROW	3 ROW	4 ROW	
DE24A*	0.059	0.055	14 ²	21	21 1/2	19	33	36	41	20
DE24B*	0.059	0.055	14 ²	21	21 1/2	19	36	39	45	20
DE24C*	0.059	0.055	14 ²	21	21 1/2	23	40	46	50	16
DE24D*	0.059	0.055	14 ²	21	21 1/2	23	44	50	56	16
DE30A*	0.068	0.059	14 ²	21	21 1/2	19	36	39	45	20
DE30B*	0.068	0.059	14 ²	21	21 1/2	23	40	46	50	16
DE30C*	0.068	0.059	14 ²	21	21 1/2	23	44	50	56	16
DE30D*	0.068	0.059	14 ²	21	21 1/2	27	49	54	51	12
DE36A*	0.074	0.068	14 FOR 2,3R; 17 FOR 4R	21	21 1/2	23	40	46	50	16
DE36B*	0.074	0.068	14 FOR 2,3R; 17 FOR 4R	21	21 1/2	23	44	50	56	16
DE36C*	0.074	0.068	14 FOR 2,3R; 17 FOR 4R	21	21 1/2	27	49	54	51	12
DE36D*	0.074	0.068	14 FOR 2,3R; 17 FOR 4R	21	21 1/2	27	53	59	60	12
DE42A*	0.080	0.074	17 ²	24 1/2	21 1/2	23	44	50	56	16
DE42B*	0.080	0.074	17 ²	24 1/2	21 1/2	27	49	54	51	12
DE42C*	0.080	0.074	17 ²	24 1/2	21 1/2	27	53	59	60	12
DE42D*	0.080	0.074	17 ²	24 1/2	21 1/2	30	54	63	71	12
DE48A*	0.084	0.080	17 ²	24 1/2	21 1/2	27	49	54	51	12
DE48B*	0.084	0.080	17 ²	24 1/2	21 1/2	27	53	59	60	12
DE48C*	0.084	0.080	17 ²	24 1/2	21 1/2	30	54	63	71	12
DE48D*	0.084	0.080	17 ²	24 1/2	21 1/2	30	58	70	75	12
DE60A*	0.092	0.089	20 1/2	24 1/2	21 1/2	30	54	63	71	12
DE60B*	0.092	0.089	20 1/2	24 1/2	21 1/2	30	58	63	71	12
DE60C* [2]	0.092	0.089	20 1/2 ²	24 1/2 ²	23	30	61	75	82	12
DE60D* [2]	0.092	0.089	20 1/2 ²	24 1/2 ²	23	35	64	77	85	12

Notes: 1) Do not use plastic drain pans on oil furnaces or other applications where outlet temperatures may exceed 290 F. Specialty metal drain pans used for these applications.
2) Metal drain pan 3) For all coils - Liquid line 3/8 ODS; suction line 3/4" ODS for DE24-36, 7/8" for DE42-60

Phone: 281.441.6500
Toll Free: 800.423.9007
Fax: 281.441.6510
www.aspenmfg.com



* For complete warranty details visit: www.aspenmfg.com.

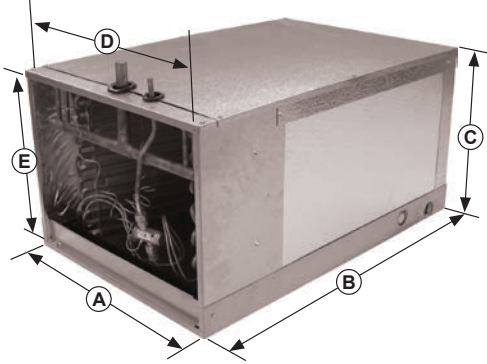
Revised 02/09/21. In keeping with its policy of continuous progress and product improvement, Aspen reserves the right to make changes without notice and incurring obligation. © 2021



PRODUCT DIMENSIONS & SPECIFICATIONS

DR SERIES ALUMINUM DEDICATED HORIZONTAL PLENUM COILS WITH BUILT-IN AUXILIARY DRAIN PAN

RESIDENTIAL COILS / DR



Representative image only. Some models may vary in appearance. Due to continuous product improvement, specifications are subject to change without notice.

STANDARD SPECIFICATIONS

- Rifled aluminum tubing, enhanced aluminum fins.
- Air pressure tested at 500 psi, leak tested with helium, then sealed and nitrogen pressurized.
- Externally mounted flowrater body or internally mounted factory-installed TXV .
- Schrader valve on liquid line for hiss-testing.
- Refrigerant lines exit top of coil.
- Split access doors on top of coil for easy service.
- Plastic drain pans (primary and secondary).
- Built-in auxiliary drain pan with 3/4" FPT.
- Plenum sides and end constructed of foil-backed faced fiberglass ductboard. Plenum top and bottom constructed of galvanized steel.
- AHRI certifiable with all brands of A/C and heat pump systems.
- ETL listed for use with R-22 and R-410a when proper metering device is used.
- Patented design (Patent No. 8,869,548 B2).
- Ten-year limited warranty with registration.

COIL MODEL	R410A PISTON SIZE	DIMENSIONS					SHIPPING INFORMATION			
		CABINET WIDTH [A]"	CABINET DEPTH [B]"	CABINET HEIGHT [C]"	INSIDE WIDTH [D]"	INSIDE HEIGHT [E]"	SHIPPING WEIGHT (LBS)			SKID QTY
							2 ROW	3 ROW	4 ROW	
DR24A*	0.055	20 1/2	31	15 1/2	19 1/4	14	27	33	-	16
DR24B*	0.055	20 1/2	31	19 1/2	19 1/4	18	31	36	-	16
DR24C*	0.055	20 1/2	31	23 1/2	19 1/4	22	37	45	-	16
DR24D*	0.055	20 1/2	31	19 1/2	19 1/4	18	42	51	-	16
DR30A*	0.059	20 1/2	31	15 1/2	19 1/4	14	31	38	-	16
DR30B*	0.059	20 1/2	31	19 1/2	19 1/4	18	31	36	-	16
DR30C*	0.059	20 1/2	31	23 1/2	19 1/4	22	37	45	-	16
DR30D*	0.059	20 1/2	31	19 1/2	19 1/4	18	42	51	-	16
DR36A*	0.068	20 1/2	31	15 1/2	19 1/4	14	36	43	-	16
DR36B*	0.068	20 1/2	31	19 1/2	19 1/4	18	36	43	-	16
DR36C*	0.068	20 1/2	31	23 1/2	19 1/4	22	37	45	-	12
DR36D*	0.068	20 1/2	40	19 1/2	19 1/4	18	60	73	-	16
DR42A*	0.074	20 1/2	40	19 1/2	19 1/4	18	40	49	-	16
DR42B*	0.074	20 1/2	40	23 1/2	19 1/4	22	44	52	-	12
DR42C*	0.074	20 1/2	40	25 1/2	19 1/4	24	40	49	-	12
DR42D*	0.074	20 1/2	40	23 1/2	19 1/4	22	52	62	-	12
DR48A*	0.080	20 1/2	40	23 1/2	19 1/4	22	49	60	-	12
DR48B*	0.080	20 1/2	40	25 1/2	19 1/4	24	47	57	-	12
DR48C*	0.080	20 1/2	40	25 1/2	19 1/4	24	60	73	89	12
DR48D*	0.080	20 1/2	40	23 1/2	19 1/4	22	59	72	-	12
DR60A*	0.089	20 1/2	40	23 1/2	19 1/4	22	81	97	-	12
DR60B*	0.089	20 1/2	40	25 1/2	19 1/4	24	81	98	-	12
DR60C*	0.089	20 1/2	40	25 1/2	19 1/4	24	85	101	-	12

Liquid line - 3/8" ODS, suction line - 3/4" ODS on 1-1/2- 3 ton & 7/8" ODS on 3-1/2 - 5 ton

Phone: 281.441.6500
Toll Free: 800.423.9007
Fax: 281.441.6510
www.aspenmfg.com



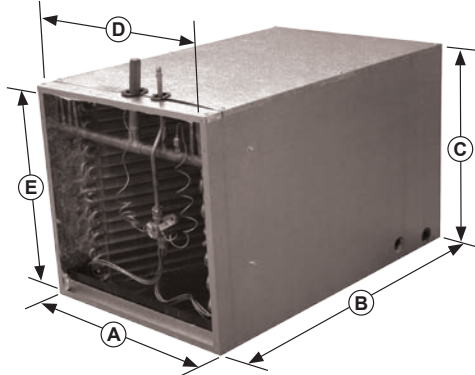
* For complete warranty details visit www.aspenmfg.com.

Revised 10/31/19. In keeping with its policy of continuous progress and product improvement, Aspen reserves the right to make changes without notice and incurring obligation. © 2019

PRODUCT DIMENSIONS & SPECIFICATIONS



DS SERIES ALUMINUM DEDICATED HORIZONTAL COILS



Representative image only. Some models may vary in appearance. Due to continuous product improvement, specifications are subject to change without notice.

STANDARD SPECIFICATIONS

- Rifled aluminum tubing, enhanced aluminum fins.
- Air pressure tested at 500 psi, leak tested with helium, then sealed and nitrogen pressurized.
- Inlet and outlet dimensions are identical (without end caps).
- Externally mounted flowrater body with Schrader valve for hiss-testing or internally mounted factory-installed TXV.
- Refrigerant lines exit from the top of the coil.
- Split access doors on top of the coil for easy service (three-piece door option available).
- Embossed galvanized cabinets standard.
- Top, bottom, and side flanges for furnace connection.
- Fully insulated cabinets with faced insulation.
- Heavy duty plastic drain pan with four 3/4" FPT condensate drains (two per side).
- AHRI certifiable with all brands of A/C and heat pump systems.
- ETL listed for use with R-22 and R-410a when proper metering device is used.
- Ten-year limited warranty with registration.

COIL MODEL	R410A PISTON SIZE	DIMENSIONS					SHIPPING INFORMATION			
		CABINET WIDTH [A]"	CABINET DEPTH [B]"	CABINET HEIGHT [C]"	INSIDE WIDTH [D]"	INSIDE HEIGHT [E]"	SHIPPING WEIGHT (LBS)			SKID QTY
							2 ROW	3 ROW	4 ROW	
DS24A*	0.055	19 1/2	31	15	18 1/4	14	23	29	-	16
DS24B*	0.055	19 1/2	31	19	18 1/4	18	25	33	-	16
DS24C*	0.055	19 1/2	31	23	18 1/4	22	31	40	-	16
DS24D*	0.055	19 1/2	31	19	18 1/4	18	36	46	-	16
DS30A*	0.059	19 1/2	31	15	18 1/4	14	26	34	-	16
DS30B*	0.059	19 1/2	31	19	18 1/4	18	25	33	-	16
DS30C*	0.059	19 1/2	31	23	18 1/4	22	31	40	-	16
DS30D*	0.059	19 1/2	31	19	18 1/4	18	36	46	-	16
DS36A*	0.068	19 1/2	31	15	18 1/4	14	29	38	-	16
DS36B*	0.068	19 1/2	31	19	18 1/4	18	29	38	-	16
DS36C*	0.068	19 1/2	31	23	18 1/4	22	31	40	-	12
DS36D*	0.068	19 1/2	31	19	18 1/4	18	51	65	-	16
DS42A*	0.074	19 1/2	31	19	18 1/4	18	34	43	-	16
DS42B*	0.074	19 1/2	31	23	18 1/4	22	36	46	-	12
DS42C*	0.074	19 1/2	31	25	18 1/4	24	34	43	-	12
DS42D*	0.074	19 1/2	31	23	18 1/4	22	46	57	-	12
DS48A*	0.080	19 1/2	31	23	18 1/4	22	41	53	-	12
DS48B*	0.080	19 1/2	31	25	18 1/4	24	39	51	-	12
DS48C*	0.080	19 1/2	31	25	18 1/4	24	51	65	84	12
DS48D*	0.080	19 1/2	31	23	18 1/4	22	49	64	-	12
DS60A*	0.089	19 1/2	31	23	18 1/4	22	67	86	-	12
DS60B*	0.089	19 1/2	31	25	18 1/4	24	68	86	-	12
DS60C*	0.089	19 1/2	31	25	18 1/4	24	71	90	-	12

Liquid line - 3/8" ODS, suction line - 3/4" ODS on 1-1/2-3 ton & 7/8" ODS on 3-1/2 - 5 ton.

Phone: 281.441.6500
Toll Free: 800.423.9007
Fax: 281.441.6510
www.aspenmfg.com



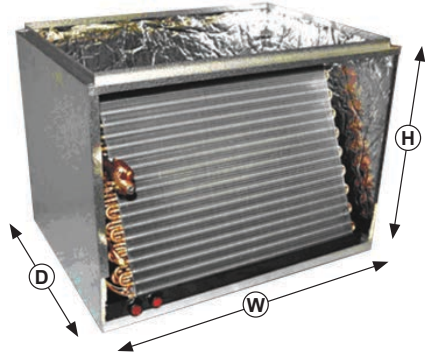
* For complete warranty details visit www.aspenmfg.com.

Revised 10/07/19. In keeping with its policy of continuous progress and product improvement, Aspen reserves the right to make changes without notice and incurring obligation. © 2019



PRODUCT DIMENSIONS & SPECIFICATIONS

CC SERIES LIGHT COMMERCIAL CASED UPFLOW COILS



Unit shown with service panels removed. Representative drawing only. Some models may vary in appearance.

STANDARD SPECIFICATIONS

- Rified copper tubing, aluminum fins.
- Immersion-tested at 500 psi, then nitrogen-pressurized and sealed.
- 3/4" FPT plumbing connections
- Left-hand refrigerant and plumbing connections.
- Factory-mounted TXV (R-410a - AC & HP compatible, R22 - AC only).
- Powder-painted galvanized steel drain pans. Stainless available.
- Embossed galvanized cabinets standard. Cabinets feature furnace connectors (patent pending).
- Upflow only. (Slab horizontal coils also available.)
- Split access doors in front for easy service.
- Fully insulated cabinets with faced insulation.
- Five-year limited warranty.
- ETL listed for use with R410a when proper metering device is used.

COIL MODEL	DIMENSIONS					SUCTION LINE	LIQUID LINE	SHIPPING INFORMATION	
	COIL WIDTH (W)"	CABINET WIDTH (W)"		CABINET DEPTH (D)"	CABINET HEIGHT (H)"			SHIPPING WEIGHT (LBS)	SKID QTY
		MIN WIDTH	MAX WIDTH						
SINGLE CIRCUIT COILS									
CC072A34-XXXX-000	24	30	36	21-1/2	22	7/8	3/8	84	4
CC072B34-XXXX-000	30	36	42	21-1/2	22	7/8	3/8	105	4
CC072C34-XXXX-000	36	42	48	21-1/2	22	7/8	3/8	126	4
CC090A34-XXXX-000	30	36	42	21-1/2	22	1-1/8	1/2	105	4
CC090B34-XXXX-000	36	42	48	21-1/2	22	1-1/8	1/2	126	4
CC090C34-XXXX-000	42	48	54	21-1/2	22	1-1/8	1/2	147	4
CC120A34-XXXX-000	30	36	42	21-1/2	22	1-1/8	1/2	105	4
CC120B34-XXXX-000	36	42	48	21-1/2	22	1-1/8	1/2	126	4
CC120C34-XXXX-000	42	48	54	21-1/2	22	1-1/8	1/2	147	4
CC120D44-505R-000	43	50-1/2	50-1/2	21-1/2	22	1-1/8	1/2	140	4
DOUBLE CIRCUIT COILS									
CC072A44-XXXX-12*	24	30	36	21-1/2	22	7/8	3/8	103	4
CC072B44-XXXX-12*	30	36	42	21-1/2	22	7/8	3/8	128	4
CC072C44-XXXX-12*	36	42	48	21-1/2	22	7/8	3/8	154	4
CC090A44-XXXX-12*	30	36	42	21-1/2	22	1-1/8	1/2	128	4
CC090B44-XXXX-12*	36	42	48	21-1/2	22	1-1/8	1/2	154	4
CC090C44-XXXX-12*	42	48	54	21-1/2	22	1-1/8	1/2	180	4
CC120A44-XXXX-12*	30	36	42	21-1/2	22	1-1/8	1/2	128	4
CC120B44-XXXX-12*	36	42	48	21-1/2	22	1-1/8	1/2	154	4
CC120C44-XXXX-12*	42	48	54	21-1/2	22	1-1/8	1/2	180	4

Notes: Slabs are oriented with delta plates facing the side walls of the cabinet. Refrigerant and plumbing connections exit cabinet front. Top duct opening size can be obtained by subtracting 1-1/2 from width or depth. Bottom duct opening size can be obtained by subtracting 3/4 from width or depth. CC120D coil available only in 50 1/2" width, but can fit multiple furnace dimensions with supplied block off plates.
[*0 = 50/50 circuit split; 1 = intertwined circuits.]

Dual Circuit Commercial Coils	Single Circuit R22 TXV	Single Circuit R410A TXV	Dual Circuit Use 2 R22 TXV	Dual Circuit Use 2 R410A TXV
CC72**[*]	(X) 4195	(4) 4202	(X) 4190	(4) 4200
CC90**[*]	(X) 3946	(4) 3947+3948	(X) 4195	(4) 4202
CC120**[*]	(X) 3940	(4) 3947+3948	(X) 4195	(4) 4202

Phone: 281.441.6500
Toll Free: 800.423.9007
Fax: 281.441.6510
www.aspenmfg.com



* For complete warranty details visit www.aspenmfg.com.

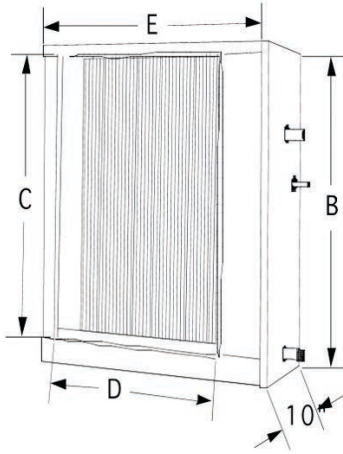
Revised 10/25/19. In keeping with its policy of continuous progress and product improvement, Aspen reserves the right to make changes without notice and incurring obligation. © 2019

LIGHT COMMERCIAL COILS CC

PRODUCT DIMENSIONS & SPECIFICATIONS



BH LIGHT COMMERCIAL SLAB HORIZONTAL COILS SINGLE OR SPLIT CIRCUIT



GENERAL SPECIFICATIONS

- Standard refrigerant connections: liquid line - 3/8" ODS, suction line - 7/8" ODS
- One 3/4" MPT condensate drain.
- Powder-painted galvanized steel drain pan. Stainless available.
- Five-year limited warranty.
- Factory installed 20% bleed port TXV(s) standard. (see note for TXV options)
- Single circuit. Dual circuitry available.
- Dual circuit coils can be split top-to-bottom or interfaced.
- Front access panel for easy service.
- Every coil immersion-tested at 450 psi, then nitrogen-pressurized and sealed.
- Heavy gauge embossed galvanized cabinets fully lined with 1/2" faced insulation.
- Rifled copper tubing, enhanced aluminum fins.
- ETL listed.

Representative image only. Some models may vary in appearance. Due to continuous product improvement, specifications are subject to change without notice.

	COIL MODEL	DIMENSIONS				Weight		
		HEIGHT [B]"	OPENING		LENGTH [E]"	2 Row	3 Row	4 Row
			[C]"	[D]"				
Single Circuit	BHA24 36+X*	23-1/2	21	24	29-1/2	29	43	N/A
	BHA40 48+X*	23-1/2	21	29	34-1/2	35	49	N/A
	BHA40 60+X*	25	21	29	34-1/2	45	54	N/A
	BH132 72+X*	25-1/2	21	36	41-1/2	44	58	N/A
	BH332 72+X*	25-1/2	21	42	47-1/2	N/A	68	82
	BH132 90+X*	25-1/2	21	42	47-1/2	N/A	68	82
	BH332 90+X*	25-1/2	21	45	50-1/2	N/A	73	87
	BH132 120+X*	25-1/2	21	42	47-1/2	N/A	68	82
BH332 120+X*	25-1/2	21	45	50-1/2	N/A	73	87	
Dual Circuit	BHA24 36+X* XXX	23-1/2	21	24	29-1/2	29	43	N/A
	BHA40 48+X* XXX	23-1/2	21	29	34-1/2	35	49	N/A
	BHA40 60+X* XXX	25	21	29	34-1/2	45	54	N/A
	BH140 72+X* XXX	25-1/2	21	36	41-1/2	44	58	N/A
	BH340 72+X* XXX	25-1/2	21	42	47-1/2	N/A	68	82
	BH140 90+X* XXX	25-1/2	21	42	47-1/2	N/A	68	82
	BH340 90+X* XXX	25-1/2	21	45	50-1/2	N/A	73	87
	BH140 120+X* XXX	25-1/2	21	42	47-1/2	N/A	68	82
BH340 120+X* XXX	25-1/2	21	45	50-1/2	N/A	73	87	

TXV offering (factory installed): Order X4 for R410 or X1 for R22
 XXX: TTB = Top to Bottom; INT = Interfaced

Phone: 281.441.6500
 Toll Free: 800.423.9007
 Fax: 281.441.6510
www.aspenmfg.com



* For complete warranty details visit www.aspenmfg.com.

Revised 07/24/19. In keeping with its policy of continuous progress and product improvement, Aspen reserves the right to make changes without notice and incurring obligation. © 2019



NOMENCLATURE

A Series Air Handlers

A A M 18 G -000

①

②

③

④

⑤

⑥

⑥ Option Code

⑤ Metering device

4 = non-bleed A/C or H/P R410 TXV
6 = 20% bleed A/C or H/P R410 TXV
B = 20% bleed A/C or H/P R22 TXV
F = R-22 Flo-rater
G = R-410A Flo-rater
X = non-bleed A/C or H/P R22 TXV

④ Nominal tonnage (MBTUH)

③ Configuration

C = Ceiling Mount (End Discharge)
L = Multi-Position Electric Furnace
M = Multi-Position
N = Manufactured Home
W = Wall Mount

② Voltage

A = 240V PSC Motor
B = 120V PSC Motor
E = 240V Constant Torque ECM
F = 120V Constant Torque ECM

① A = Air Handler

AIR HANDLERS

Revised 11/04/19. In keeping with its policy of continuous progress and product improvement, Aspen reserves the right to make changes without notice and incurring obligation. © 2019

Hydronic Heat Kits

W C 2 S P
 ① ② ③ ④ ⑤

- ⑤ **Pump**
 L = Less Pump and Check Valve
 P = with Standard Pump and Check Valve
 R = with 009 High Pressure Drop Pump
 8 = with 008 High Pressure Drop Pump
- ④ **Coil Dimensions**
 L = Fits Large Chassis (42, 48, 60, 61)
 S = Fits Small Chassis (18, 24, 30, 36)
- ③ **Hydronic Coil Rows**
 2
 3
 4
- ② **Power Connection**
 3 = 3-phase Circuit Breaker
 C = Circuit Breaker
 T = Terminal Block
- ① **Hydronic Heat Kit**
 W = Fits ABM, AFM Series
 U = Fits ABW, AFW
 Y = Fits ABC*, AFC*

Electric Heat Kits

E C S 10
 ① ② ③ ④

- ④ **Heat Strip**
 00 = NO Heat 12 = 12 KW (3-phase Circuit Only)
 03 = 3 KW 15 = 15 KW
 05 = 5 KW 20 = 20 KW
 06 = 6 KW 24 = 24 KW (3-phase Circuit Only)
 08 = 8 KW 25 = 25 KW
 10 = 10 KW 30 = 30 KW
- ③ **L = Large Cabinet (42-61)**
S = Small Cabinet (18-36)
- ② **Power Connection**
 3 = 3-phase Circuit Breaker
 4 = 3-phase Terminal Block
 C = Circuit Breaker
 P = Circuit Breaker W/Single Point Block
 T = Terminal Block
- ① **Electric Heat Kit**
 E = Fits AAM, AEM Series
 F = Fits AAW, AEW
 G = Fits AAC, AEC

AIR HANDLERS

Revised 10/25/19. In keeping with its policy of continuous progress and product improvement, Aspen reserves the right to make changes without notice and incurring obligation. © 2019



PRODUCT DIMENSIONS & SPECIFICATIONS

AAC SERIES CEILING MOUNT ELECTRIC HEAT AIR HANDLERS

STANDARD FEATURES

APPLICATION VERSATILITY

Built in mounting tabs for ceiling or furrdown mounting. Louvered ceiling access panel has separate frame that attaches to ceiling joists. Solid access panel available for use with end return installations. Can be AHRI matched with most brands of air conditioners or heat pumps. ETL listed for use with either R22 or R410a when a proper metering device is used.

CABINET

Sturdy, fully insulated galvanized steel cabinet with painted front panels.

ELECTRICAL CONTROLS

Units available with either circuit breakers or terminal blocks. Controls easily accessible from the front for easy service. Fan time delay relay standard for increased efficiency. Electrical connections can be made from the top, left, or right.

ELECTRIC HEATERS

Models with electric heat include sequencers and temperature limit switches for safe, efficient operation.

BLOWER

Direct drive multi-speed blowers circulate air quietly and efficiently. 2-speed motors allow for precise air volume selection. Motor speeds can be easily selected via motor terminals. Blowers mounted on rails so they can be easily removed for service.

ELECTRONIC CIRCUIT BOARD

Electronic circuit board provides 30 secs ON/OFF blower time delay extracting more heat/cool from the coil.

DX COIL

High efficiency rifled copper tubes/enhanced aluminum fins provide maximum heat transfer. All coils immersion tested at 500 psi then nitrogen pressurized and factory sealed for maximum reliability. Liquid-line Schrader allows pre-installation pressure testing. Available with either orifice or TXV metering device. Field-installable bolt-on TXVs are also available. Primary & secondary condensate drain. All drain connections are 3/4" MPT. Access door allows for coil cleaning.

WARRANTY

Five-year limited parts warranty.

OPTIONS

See options menu.



Representative image only. Some models may vary in appearance. Due to continuous product improvement, specifications are subject to change without notice.



AAC
AIR HANDLERS

Phone: 281.441.6500
Toll Free: 800.423.9007
Fax: 281.441.6510
www.aspenmfg.com



* For complete warranty details visit www.aspenmfg.com.

Revised 10/25/19. In keeping with its policy of continuous progress and product improvement, Aspen reserves the right to make changes without notice and incurring obligation. © 2019

HEATING AND COOLING PERFORMANCE AND ELECTRICAL DATA

MODEL	HEAT KIT	PERFORMANCE DATA					ELECTRICAL DATA			
		NOMINAL COOLING (BTUS)	HEATING (KW)		HEATING CAPACITY (MBTUH)		MINIMUM CIRCUIT AMPACITY (MCA)		MAX BREAKER OR FUSE SIZE	
			208V	240V	208V	240V	208V	240V	208V	240V
AAC18	G(C,T)S00	18,000	0.0	0.0	0.0	0.0	1.8	1.8	15	15
	G(C,T)S03		2.3	3.0	7.8	10.2	15.3	17.4	20	20
	G(C,T)S05		3.8	5.0	12.6	16.7	23.4	26.8	25	30
	G(C,T)S08		6.0	8.0	20.8	27.3	37.8	43.4	40	45
	G(C,T)S10		7.5	10.0	25.6	33.4	45.0	51.8	45	60
AAC24	G(C,T)S00	24,000	0.0	0.0	0.0	0.0	1.8	1.8	15	15
	G(C,T)S03		2.3	3.0	7.8	10.2	15.3	17.4	20	20
	G(C,T)S05		3.8	5.0	12.6	16.7	23.4	26.8	25	30
	G(C,T)S08		6.0	8.0	20.8	27.3	37.8	43.4	40	45
	G(C,T)S10		7.5	10.0	25.6	33.4	45.0	51.8	45	60
AAC30	G(C,T)S00	30,000	0.0	0.0	0.0	0.0	3.3	3.3	15	15
	G(C,T)S03		2.3	3.0	7.8	10.2	16.8	18.9	20	20
	G(C,T)S05		3.8	5.0	12.6	16.7	24.9	28.3	25	30
	G(C,T)S08		6.0	8.0	20.8	27.3	39.3	44.9	40	45
	G(C,T)S10		7.5	10.0	25.6	33.4	46.5	53.3	50	60
AAC36/37	G(C,T)S00	36,000	0.0	0.0	0.0	0.0	3.3	3.3	15	15
	G(C,T)S03		2.3	3.0	7.8	10.2	16.8	18.9	20	20
	G(C,T)S05		3.8	5.0	12.6	16.7	24.9	28.3	25	30
	G(C,T)S08		6.0	8.0	20.8	27.3	39.3	44.9	40	45
	G(C,T)S10		7.5	10.0	25.6	33.4	46.5	53.3	50	60

BLOWER DATA

MODELS	MOTOR HP	MOTOR AMPS	SPEED TAP	CFM V. EXTERNAL STATIC * †				
				0.10	0.20	0.30	0.40	0.50
AAC18 & AAC24	1/5	1.4	LOW	890	850	820	790	760
			HIGH	1020	990	975	939	890
AAC30 & AAC 36	1/3	2.6	LOW	1115	1070	1010	960	900
			HIGH	1230	1170	1120	1050	980
AAC 37	1/3	2.6	LOW	1075	1030	970	820	860
			HIGH	1190	1130	1080	1010	940

* Dry coil with filter, † For 208V multiply by 0.90

AIR HANDLER CHASSIS NOMENCLATURE

AAC	18	4	-001
AAC = 240V PSC Motor Ceiling Mount	Nominal tonnage (MBTUH)	<u>Metering Device</u> 4 = non-bleed A/C or H/P R410 TXV B = 20% bleed A/C or H/P R22 TXV F = R22 Flo-rater G = R410a Flo-rater X = non-bleed A/C or H/P R22 TXV	Option Code

ELECTRIC HEAT KIT NOMENCLATURE

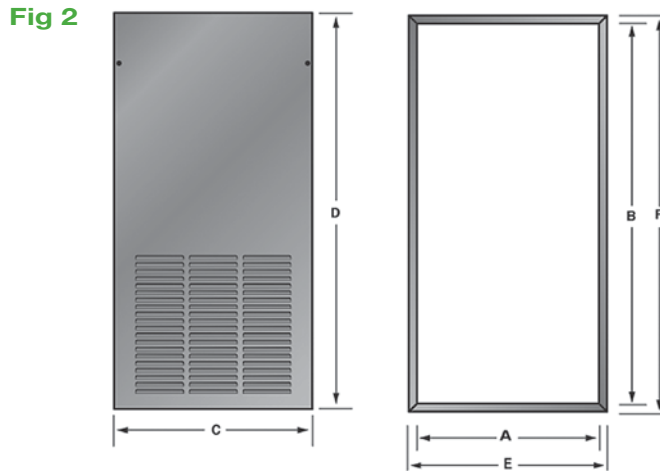
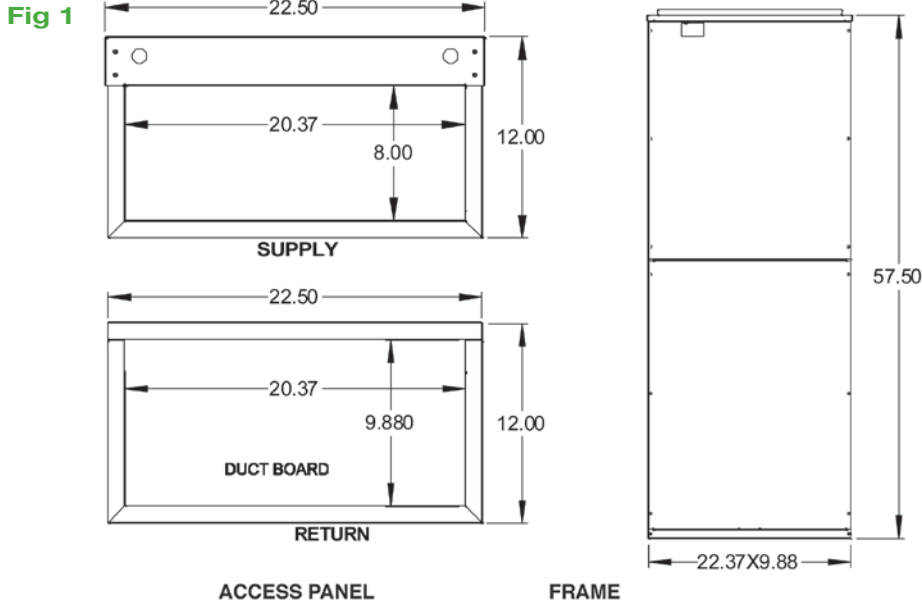
G	C	S	03
Ceiling mount - electric heat	C = Circuit breaker T = Terminal block	S = 18 - 37	Heat strip 03 = 3 KW 05 = 5 KW 08 = 8 KW 10 = 10KW

AAC

AIR HANDLERS

INSTALLATION CLEARANCES		
	OPERATION	SERVICE
TOP	0"	0"
FRONT	0"	30"
SIDES	0"	0"
REAR	0"	0"

SPECIFICATIONS			
MODEL	PISTON SIZE	SHIP WEIGHT (LBS)	SKID QTY
AAC18	0.049	91	6
AAC24	0.055	91	6
AAC30	0.059	100	6
AAC36	0.068	100	6
AAC37	0.070	110	6



ACCESS DOOR DIMENSIONS AND SPECIFICATIONS (Fig 2)								
PANEL MODEL	FOR USE WITH	OPENING SIZE		PANEL DIMENSION		FRAME DIMENSION		# OF PANELS
		A	B	C	D	E	F	
CAD-4(S/L)	AAC	22-3/4	58	24-3/4	60	24-5/8	59-7/8	2



Phone: 281.441.6500
Toll Free: 800.423.9007
Fax: 281.441.6510
www.aspenmfg.com

AIR HANDLERS AAC



PRODUCT DIMENSIONS & SPECIFICATIONS

AAM SERIES MULTI-POSITION ELECTRIC HEAT AIR HANDLERS

STANDARD FEATURES

APPLICATION VERSATILITY

Upflow or horizontal right as shipped (field-convertible for down-flow or horizontal left applications). Can be AHRI matched with most brands of air conditioners or heat pumps. ETL listed for use with either R22 or R410a when a proper metering device is used.

LOW LEAKAGE CABINET

Less than 2% air leakage from cabinet when tested in accordance with ASHRAE standard 193. Unit must be installed according to Aspen installation instructions. Sturdy, fully insulated galvanized steel cabinet; stick pins ensure 1/2" insulation remains in place. Unit ships with disposable filter.

MODULAR HEAT KITS

Heat kits available with either circuit breakers or terminal blocks. Available from 3 to 30 KW. Models with electric heat include sequencers and temperature limit switches for safe, efficient operation. Modules are easily installed in the field using molex plugs or can be ordered factory-installed. Controls are accessible from the front for easy service. Electrical connections can be made from the top or left. Disconnect does not protrude through the wall panel. Fan time delay relay standard for increased efficiency.

ELECTRONIC CIRCUIT BOARD

Electronic circuit board provides 30 secs ON/OFF blower time delay extracting more heat/cool from the coil. Automotive-style pull fuse protection on the circuit board to provide low voltage and transformer protection.

BLOWER

Direct drive multi-speed blowers circulate air quietly and efficiently. 3-speed motors allow for precise air volume selection. Motor speeds can be easily selected via motor terminals. Blowers mounted on rails so they can be easily removed for service.

DX COIL

High efficiency rifled copper tubes/enhanced aluminum fins provide maximum heat transfer. All coils immersion tested at 500 psi then nitrogen pressurized and factory sealed for maximum reliability. Liquid-line Schrader allows pre-installation pressure testing. Available with either orifice or TXV metering device. Field-installable bolt-on TXVs are also available. Rugged GLP drain pan holds minimal condensate while eliminating the possibility of corrosion. Drain pan is UV safe. Galvanized metal drain pan with bottom primary and secondary drain connections or alternate right side primary. All connections 3/4" FPT. Access door allows for coil cleaning.

WARRANTY

Ten-year limited parts warranty.

OPTIONS

See options menu.



Representative image only. Some models may vary in appearance. Due to continuous product improvement, specifications are subject to change without notice.

AAM

AIR HANDLERS

Phone: 281.441.6500
Toll Free: 800.423.9007
Fax: 281.441.6510
www.aspenmfg.com



* For complete warranty details visit www.aspenmfg.com.

Revised 04/05/21. In keeping with its policy of continuous progress and product improvement, Aspen reserves the right to make changes without notice and incurring obligation. © 2021

HEATING AND COOLING PERFORMANCE AND ELECTRICAL DATA

MODEL	HEAT KIT	HEATING CAPACITY (MBTUH)		MINIMUM CIRCUIT AMPACITY (MCA)		MAX BREAKER OR FUSE SIZE	
		208V	240V	208V	240V	208V	240V
AAM 18/19+	E(C,T)S00	0.0	0.0	2.3	2.3	15	15
	E(C,T)S03	7.8	10.2	15.8	17.9	20	20
	E(C,T)S05	13.0	17.1	23.9	27.3	25	30
	E(C,T)S06	15.4	20.5	29.3	33.5	30	35
	E(C,T)S08	20.8	27.3	38.3	43.9	40	45
	E(C,T)S10	25.9	34.1	45.5	52.3	50	60
AAM 24/25 +	E(C,T)S00	0.0	0.0	2.3	2.3	15	15
	E(C,T)S03	7.8	10.2	15.8	17.9	20	20
	E(C,T)S05	13.0	17.1	23.9	27.3	25	30
	E(C,T)S06	15.4	20.5	29.3	33.5	30	35
	E(C,T)S08	20.8	27.3	38.3	43.9	40	45
	E(C,T)S10	25.9	34.1	45.5	52.3	50	60
AAM 30/31 +	E(C,T)S00	0.0	0.0	3.3	3.3	15	15
	E(C,T)S03	7.8	10.2	16.8	18.9	20	20
	E(C,T)S05	13.0	17.1	24.9	28.3	25	30
	E(C,T)S06	15.4	20.5	30.3	34.5	35	35
	E(C,T)S08	20.8	27.3	39.3	44.9	40	45
	E(C,T)S10	25.9	34.1	46.5	53.3	50	60
	E(C,T)S15	38.6	51.2	46.5/21.6	53.3/25	50/25	60/25
	E(C,T)S15	38.6	51.2	46.5/21.6	53.3/25	50/25	60/25
AAM 36/37 +	E(C,T)S00	0.0	0.0	3.3	3.3	15	15
	E(C,T)S03	7.8	10.2	16.8	18.9	20	20
	E(C,T)S05	13.0	17.1	24.9	28.3	25	30
	E(C,T)S06	15.4	20.5	30.3	34.5	35	35
	E(C,T)S08	20.8	27.3	39.3	44.9	40	45
	E(C,T)S10	25.9	34.1	46.5	53.3	50	60
	E(C,T)S15	38.6	51.2	46.5/21.6	53.3/25	50/25	60/25
	E(C,T)S15	38.6	51.2	46.5/21.6	53.3/25	50/25	60/25
AAM 42/43 +	E(C,T)L00	0.0	0.0	5.5	5.5	15	15
	E(C,T)L03	7.8	10.2	19.0	21.1	25	25
	E(C,T)L05	13.0	17.1	27.1	30.5	30	35
	E(C,T)L06	15.4	20.5	32.5	36.8	35	40
	E(C,T)L08	20.8	27.3	41.6	47.2	45	50
	E(C,T)L10	25.9	34.1	48.8	55.5	50	60
	E(C,T)L15	38.6	51.2	48.8/21.6	55.5/25	50/25	60/25
	E(C,T)L20	51.2	95.6	48.8/43.3	55.5/50	50/45	60/50
	E(C,T)L25	64.2	85.3	48.8/43.3/21.6	55.5/50/25	50/45/25	60/50/25
	E(C,T)L30	76.8	102.4	48.8/43.3/43.3	55.5/50/50	50/45/45	60/50/50
AAM 48/49 +	E(C,T)L00	0.0	0.0	5.5	5.5	15	15
	E(C,T)L03	7.8	10.2	19.0	21.1	25	25
	E(C,T)L05	13.0	17.1	27.1	30.5	30	35
	E(C,T)L06	15.4	20.5	32.5	36.8	35	40
	E(C,T)L08	20.8	27.3	41.6	47.2	45	50
	E(C,T)L10	25.9	34.1	48.8	55.5	50	60
	E(C,T)L15	38.6	51.2	48.8/21.6	55.5/25	50/25	60/25
	E(C,T)L20	51.2	95.6	48.8/43.3	55.5/50	50/45	60/50
	E(C,T)L25	64.2	85.3	48.8/43.3/21.6	55.5/50/25	50/45/25	60/50/25
	E(C,T)L30	76.8	102.4	48.8/43.3/43.3	55.5/50/50	50/45/45	60/50/50
AAM 60/61/62 +	E(C,T)L00	0.0	0.0	5.5	5.5	15	15
	E(C,T)L03	7.8	10.2	19.0	21.1	25	25
	E(C,T)L05	13.0	17.1	27.1	30.5	30	35
	E(C,T)L06	15.4	20.5	32.5	36.8	35	40
	E(C,T)L08	20.8	27.3	41.6	47.2	45	50
	E(C,T)L10	25.9	34.1	48.8	55.5	50	60
	E(C,T)L15	38.6	51.2	48.8/21.6	55.5/25	50/25	60/25
	E(C,T)L20	51.2	95.6	48.8/43.3	55.5/50	50/45	60/50
	E(C,T)L25	64.2	85.3	48.8/43.3/21.6	55.5/50/25	50/45/25	60/50/25
	E(C,T)L30	76.8	102.4	48.8/43.3/43.3	55.5/50/50	50/45/45	60/50/50

AAM
AIR HANDLERS

208/240V – 3 PHASE CIRCUIT BREAKER

MODEL	PERFORMANCE DATA				ELECTRICAL DATA				
	NOMINAL COOLING (BTUS)	HEATING (KW)		HEATING CAPACITY (MBTUH)		MINIMUM CIRCUIT AMPACITY (MCA)		MAX BREAKER OR FUSE SIZE	
		208V	240V	208V	240V	208V	240V	208V	240V
AAM42-61+E312	42,000 48,000 60,000	9.0	12.0	30.7	40.9	36.0	42.0	40.0	50.0
AAM42-61+E315		11.3	15.0	38.4	51.2	44.0	50.0	50.0	50.0
AAM42-61+E324		18.0	24.0	61.4	81.9	55	50/45	60	50/40
AAM42-61+E330		22.5	30.0	76.8	102.4	44/39	50/45	50/40	50/50

BLOWER DATA

MODEL	MOTOR SPEED	MOTOR HP	MOTOR AMPS	MOTOR VOLTAGE	CFM V. EXTERNAL STATIC *				
					0.10	0.20	0.30	0.40	0.50
AAM 18/19/24/25	LOW	1/5	1.8	240	835	800	790	750	695
	HIGH				915	880	875	825	770
AAM 30/31/36/37	LOW	1/3	2.6	240	1130	1100	1050	1000	960
	HIGH				1410	1350	1280	1200	1160
AAM 42/43/48/49/60/61/62	LOW	3/4	4.4	240	1520	1500	1485	1460	1440
	MID				1700	1675	1640	1620	1575
	HIGH				2060	2020	1980	1935	1885

*Wet Coil

AIR HANDLER CHASSIS NOMENCLATURE

AAM	18	F	-001
AAM = 240V PSC Motor Multi-Position Air Handler	Nominal tonnage (MBTUH)	<u>Metering device</u> 4 = non-bleed A/C or H/P R410 TXV B = 20% bleed A/C or H/P R22 TXV F = R22 Flo-rater G = R410a Flo-rater X = non-bleed A/C or H/P R22 TXV	Option Code

ELECTRIC HEAT KIT NOMENCLATURE

E	C	S	03
Electric Heat	<u>Interruption</u> C = Circuit Breaker T = Terminal Block P = Single Point Hookup	S = 18-37 L = 42-62	<u>Heat Strip</u> 03 = 3 KW 05 = 5 KW 06 = 6 KW 08 = 8 KW 10 = 10 KW 15 = 15 KW 20 = 20 KW 25 = 25 KW 30 = 30 KW

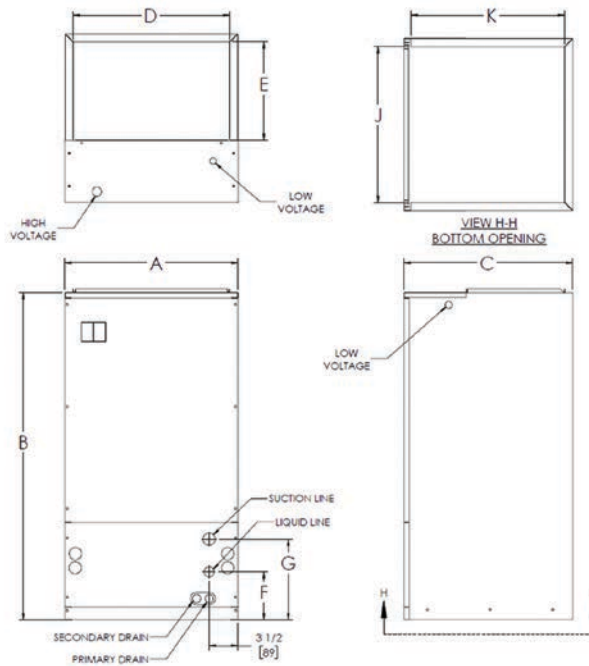
AAM

AIR HANDLERS

DIMENSIONS AND SPECIFICATIONS (In. [mm]) - Figure 1

MODEL	A	B	C	D	E	F	G	J	K	FILTER SIZE	PISTON SIZE	SHIP WEIGHT (LBS)	SKID QTY
AAM18+E*	21 [533]	40 [1016]	20-1/2 [521]	18-3/4 [476]	12 [305]	7-1/4 [184]	10-1/4 [260]	18-1/2 [470]	18-1/2 [470]	16X20	0.055	99	4
AAM19/24/25+E*	21 [533]	40 [1016]	20-1/2 [521]	18-3/4 [476]	12 [305]	8-1/4 [209]	12-1/4 [311]	18-1/2 [470]	18-1/2 [470]	16X20	0.059	100	4
AAM30+E*	21 [533]	49-1/4 [1251]	20-1/2 [521]	18-3/4 [476]	12 [305]	8-1/4 [209]	14-1/4 [362]	18-1/2 [470]	18-1/2 [470]	16X20	0.068	118	4
AAM36+E*	21 [533]	49-1/4 [1251]	20-1/2 [521]	18-3/4 [476]	12 [305]	10-1/4 [260]	16-1/4 [412]	18-1/2 [470]	18-1/2 [470]	16X20	0.068	118	4
AAM31/37+E*	21 [533]	49-1/4 [1251]	20-1/2 [521]	18-3/4 [476]	12 [305]	10-1/4 [260]	16-1/4 [412]	18-1/2 [470]	18-1/2 [470]	16X20	0.074	147	4
AAM42+E*	24-1/2 [622]	57 [1448]	20-1/2 [521]	22-1/4 [565]	14-3/4 [375]	11 [279]	16 [406]	22 [559]	18-1/2 [470]	20X20	0.080	153	4
AAM48+E*	24-1/2 [622]	57 [1448]	20-1/2 [521]	22-1/4 [565]	14-3/4 [375]	13 [330]	18 [457]	22 [559]	18-1/2 [470]	20X20	0.084	180	4
AAM43/49/60/62+E*	24-1/2 [622]	57 [1448]	20-1/2 [521]	22-1/4 [565]	14-3/4 [375]	13 [330]	18 [457]	22 [559]	18-1/2 [470]	20X20	0.084	180	4
AAM61+E*	24-1/2 [622]	57 [1448]	20-1/2 [521]	22-1/4 [565]	14-3/4 [375]	15 [381]	20 [508]	22 [559]	18-1/2 [470]	20X20	0.092	200	4

Figure 1



AIR HANDLERS

AAM



Phone: 281.441.6500
 Toll Free: 800.423.9007
 Fax: 281.441.6510
www.aspenmfg.com



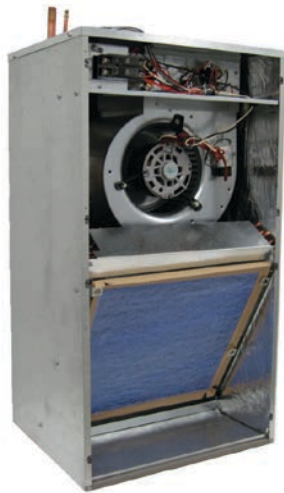
PRODUCT DIMENSIONS & SPECIFICATIONS

AAW SERIES VERTICAL WALL MOUNT ELECTRIC HEAT AIR HANDLERS

AAW AIR HANDLERS



Representative image only. Some models may vary in appearance. Due to continuous product improvement, specifications are subject to change without notice.



STANDARD FEATURES

APPLICATION VERSATILITY

Front or bottom return air position. Offset hanging brackets attach to unit and wall to allow hanging inside closet. Can be AHRI matched with most brands of air conditioners or heat pumps. ETL listed for use with either R22 or R410a when a proper metering device is used.

LOW LEAKAGE CABINET

Less than 2% air leakage from cabinet when tested in accordance with ASHRAE standard 193. Unit must be installed according to Aspen installation instructions. Sturdy, fully insulated galvanized steel cabinet; stick pins ensure 1/2" insulation remains in place. Unit ships with disposable filter.

MODULAR ELECTRIC HEAT KITS

Heat kits available with either circuit breakers or terminal blocks. Available in 3, 5, 8, & 10 KW. Models with electric heat include sequencers and temperature limit switches for safe, efficient operation. Modules are easily installed in the field using molex plugs or can be ordered factory-installed. Controls are accessible from the front for easy service. Electrical connections can be made from the top or left. Disconnect does not protrude through the wall panel. Fan time delay relay standard for increased efficiency.

BLOWER

Direct drive multi-speed blowers circulate air quietly and efficiently. Motor speeds can be easily selected via motor terminals. Swing mounted blowers can be easily removed for service.

ELECTRONIC CIRCUIT BOARD

Electronic circuit board provides 30 secs ON/OFF blower time delay extracting more heat/cool from the coil. Automotive-style pull fuse protection on the circuit board to provide low voltage and transformer protection.

DX COIL

High efficiency rifled copper tubes/enhanced aluminum fins provide maximum heat transfer. All coils immersion tested at 500 psi then nitrogen pressurized and factory sealed for maximum reliability. Liquid-line Schrader allows pre-installation pressure testing. Available with either check style flowrater or TXV metering device. Field-installable TXVs are also available. Galvanized metal drain pan with bottom primary and secondary drain connections or alternate right side primary. All connections 3/4" FPT. Access door allows for coil cleaning.

WARRANTY

Five-year limited parts warranty.

OPTIONS

See options menu.

Phone: 281.441.6500
Toll Free: 800.423.9007
Fax: 281.441.6510
www.aspenmfg.com



* For complete warranty details visit www.aspenmfg.com.

Revised 10/29/20. In keeping with its policy of continuous progress and product improvement, Aspen reserves the right to make changes without notice and incurring obligation. © 2020

HEATING AND COOLING PERFORMANCE AND ELECTRICAL DATA

MODEL	HEAT KIT	PERFORMANCE DATA					ELECTRICAL DATA			
		NOMINAL COOLING (BTUS)	HEATING (KW)		HEATING CAPACITY (MBTUH)		MINIMUM CIRCUIT AMPACITY (MCA)		MAX BREAKER OR FUSE SIZE	
			208V	240V	208V	240V	208V	240V	208V	240V
AAW18	F(C,T)S00	18,000	0.0	0.0	0.0	0.0	1.8	1.8	15.0	15.0
	F(C,T)S03		2.3	3.0	7.8	10.2	15.3	17.4	20.0	20.0
	F(C,T)S05		3.7	4.8	12.6	16.4	23.4	26.8	25.0	30.0
	F(C,T)S06		4.6	6.0	13.5	17.9	28.8	33.0	30.0	35.0
	F(C,T)S08		6.0	8.0	20.5	27.3	37.8	43.4	40.0	45.0
	F(C,T)S10		7.2	9.6	24.5	32.8	45.0	51.8	45.0	60.0
AAW19/20	F(C,T)S00	18,000	0.0	0.0	0.0	0.0	1.7	1.7	15.0	15.0
	F(C,T)S03		2.3	3.0	7.8	10.2	15.2	17.3	20.0	20.0
	F(C,T)S05		3.7	4.8	12.6	16.4	23.3	26.7	25.0	30.0
	F(C,T)S06		4.6	6.0	13.5	17.9	28.8	33.0	30.0	35.0
	F(C,T)S08		6.0	8.0	20.5	27.3	37.7	43.4	40.0	45.0
	F(C,T)S10		7.2	9.6	24.5	32.8	45.0	51.7	45.0	60.0
AAW23/24	F(C,T)S00	24,000	0.0	0.0	0.0	0.0	1.8	1.8	15.0	15.0
	F(C,T)S03		2.3	3.0	7.8	10.2	15.3	17.4	20.0	20.0
	F(C,T)S05		3.7	4.8	12.6	16.4	23.4	26.8	25.0	30.0
	F(C,T)S06		4.6	6.0	13.5	17.9	28.8	33.0	30.0	35.0
	F(C,T)S08		6.0	8.0	20.5	27.3	37.8	43.4	40.0	45.0
	F(C,T)S10		7.2	9.6	24.5	32.8	45.0	51.8	45.0	60.0
AAW25/26	F(C,T)S00	24,000	0.0	0.0	0.0	0.0	1.7	1.7	15.0	15.0
	F(C,T)S03		2.3	3.0	7.8	10.2	15.2	17.3	20.0	20.0
	F(C,T)S05		3.7	4.8	12.6	16.4	23.3	26.7	25.0	30.0
	F(C,T)S06		4.6	6.0	13.5	17.9	28.8	33.0	30.0	35.0
	F(C,T)S08		6.0	8.0	20.5	27.3	37.7	43.4	40.0	45.0
	F(C,T)S10		7.2	9.6	24.5	32.8	45.0	51.7	45.0	60.0
AAW30/31	F(C,T)S00	30,000	0.0	0.0	0.0	0.0	3.3	3.3	15.0	15.0
	F(C,T)S03		2.3	3.0	7.8	10.2	16.8	18.9	20.0	20.0
	F(C,T)S05		3.7	4.8	12.6	16.4	24.9	28.3	25.0	30.0
	F(C,T)S06		4.6	6.0	13.5	17.9	30.3	34.5	35.0	35.0
	F(C,T)S08		6.0	8.0	20.5	27.3	39.3	44.9	40.0	45.0
	F(C,T)S10		7.2	9.6	24.5	32.8	46.5	53.3	50.0	60.0
AAW36/37	F(C,T)S00	36,000	0.0	0.0	0.0	0.0	3.3	3.3	15.0	15.0
	F(C,T)S03		2.3	3.0	7.8	10.2	16.8	18.9	20.0	20.0
	F(C,T)S05		3.7	4.8	12.6	16.4	24.9	28.3	25.0	30.0
	F(C,T)S06		4.6	6.0	13.5	17.9	30.3	34.5	35.0	35.0
	F(C,T)S08		6.0	8.0	20.5	27.3	39.3	44.9	40.0	45.0
	F(C,T)S10		7.2	9.6	24.5	32.8	46.5	53.3	50.0	60.0

AIR HANDLERS AAW

BLOWER DATA

MODEL	MOTOR SPEED	MOTOR HP	MOTOR AMPS	MOTOR VOLTAGE	CFM V. EXTERNAL STATIC * †				
					0.10	0.20	0.30	0.40	0.50
AAW18/23/24	LOW	1/5	1.40	240	834	795	746	687	620
	HIGH				930	888	823	749	680
AAW19/25	LOW	1/5	1.35	240	740	710	685	650	615
	HIGH				930	880	830	770	710
AAW20/26	LOW	1/5	1.35	240	727	696	674	640	604
	HIGH				909	866	814	757	696
AAW30/36	LOW	1/3	2.6	240	1123	1094	1062	1034	1000
	HIGH				1396	1358	1313	1261	1200
AAW31/37	LOW	1/3	2.6	240	1154	1100	1042	982	901
	HIGH				1256	1193	1113	1057	982

* Wet coil with filter, † - For 208 V multiply by 0.90

AIR HANDLER CHASSIS NOMENCLATURE

AAW	18	F	-001
AAW = 240V PSC Motor Vertical Wall Mount	Nominal tonnage (MBTUH)	Metering Device 4 = non-bleed A/C or H/P R410 TXV B = 20% bleed A/C or H/P R22 TXV F = Flo-rater G = R410a Flo-rater X = non-bleed A/C or H/P R22 TXV	Option Code

ELECTRIC HEAT KIT NOMENCLATURE

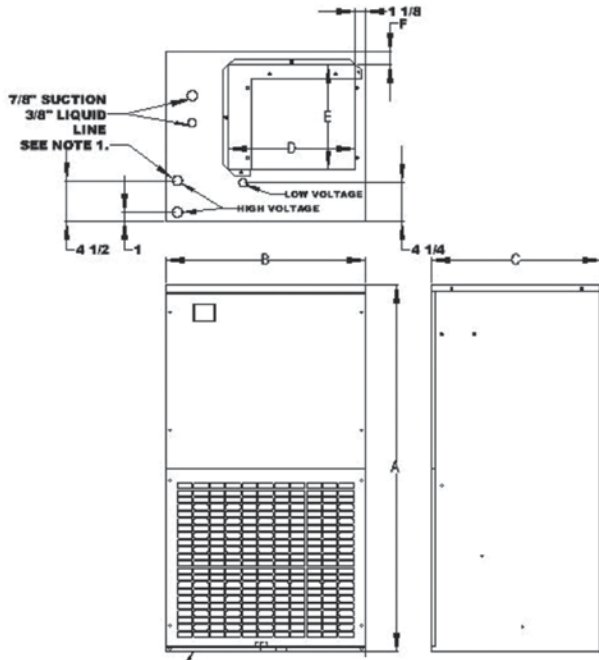
F	C	S	O5
Wall Mount Electric Heat	<u>Interruption</u> C = Circuit Breaker T = Terminal Block	S = 18 - 37	Heat strip 03 = 3 KW 05 = 5 KW 08 = 8 KW 10 = 10KW

DIMENSIONS AND SPECIFICATIONS (In. [mm]) (Fig 1)

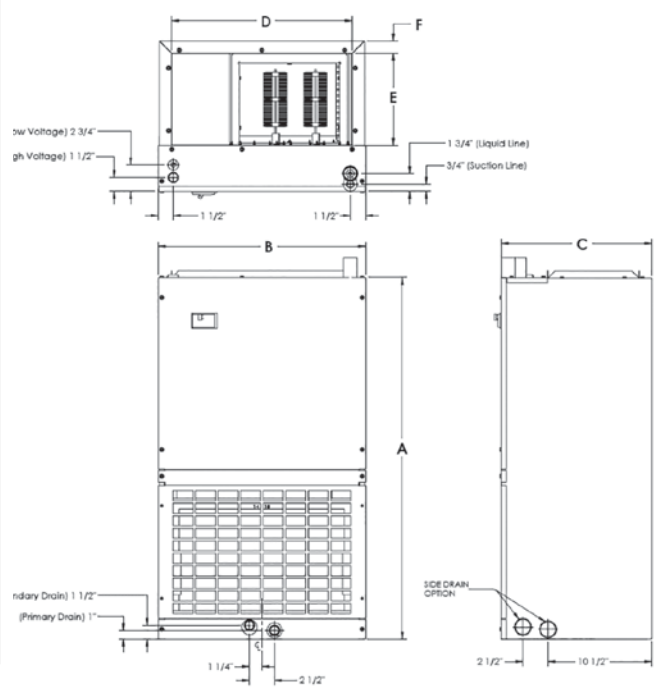
MODEL	A	B	C	D	E	F	FILTER SIZE	PISTON SIZE	SHIP WEIGHT (LBS)	SKID QTY
AAW18*	37 1/2 [953]	22 [559]	18 3/4 [476]	14 [356]	10 [254]	3 1/4 [83]	20X20	0.049	90	4
AAW19*	36 [915]	20 1/2 [521]	15 [381]	18 [457]	9 1/4 [235]	1 1/4 [32]	14X18	0.049	80	4
AAW20*	36 [915]	20 1/2 [521]	15 [381]	18 [457]	9 1/4 [235]	1 1/4 [32]	14X18	0.049	80	4
AAW23*	37 1/2 [953]	22 [559]	18 3/4 [476]	14 [356]	10 [254]	3 1/4 [83]	20X20	0.049	90	4
AAW24*	37 1/2 [953]	22 [559]	18 3/4 [476]	14 [356]	10 [254]	3 1/4 [83]	20X20	0.049	90	4
AAW25*	36 [915]	20 1/2 [521]	15 [381]	18 [457]	9 1/4 [235]	1 1/4 [32]	14X18	0.055	80	4
AAW26*	36 [915]	20 1/2 [521]	15 [381]	18 [457]	9 1/4 [235]	1 1/4 [32]	14X18	0.055	80	4
AAW30*	40.5 [1029]	22 [559]	18 3/4 [476]	14 [356]	11 1/2 [292]	1 3/8 [35]	20X20	0.059	102	4
AAW31*	36 [915]	24 [610]	21 [533]	21 1/2 [546]	12 [305]	1 1/4 [32]	20X20	0.059	90	4
AAW36*	40.5 [1029]	22 [559]	18 3/4 [476]	14 [356]	11 1/2 [292]	1 3/8 [35]	20X20	0.068	102	4
AAW37*	36 [915]	24 [610]	21 [533]	21 1/2 [546]	12 [305]	1 1/4 [32]	20X20	0.068	90	4

Fig 1

AAW 18/23/24/30/36

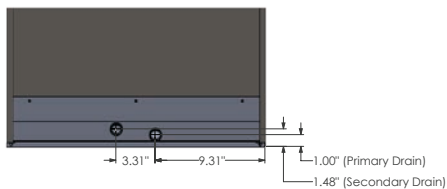


AAW 19/20/25/26/31/37



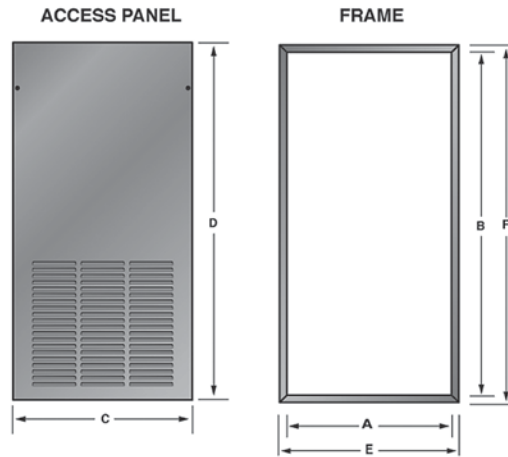
20" x 9" BOTTOM RETURN

Note: Code may require installer to use conduit inside cabinet to electrical enclosure.



AIR HANDLERS AAW

Fig 2



INSTALLATION CLEARANCES		
	OPERATION	SERVICE
TOP	0"	0"
FRONT	0"	30"
SIDES	0"	0"
REAR	0"	0"

DIMENSIONS AND SPECIFICATIONS (Fig 2)									
PANEL MODEL	FOR USE WITH	FINISH	OPENING SIZE		PANEL DIMENSION		FRAME DIMENSION		# OF PANELS
			A"	B"	C"	D"	E"	F"	
WAD-7(S/L)	AAW 18/23/24	Embossed	22 1/4	39 1/2	24 1/4	41 1/2	24 1/8	41 3/8	1
WAD-8(S/L)	AAW 30/36	Embossed	22 1/4	42 1/2	24 1/4	44 1/2	24 1/8	44 3/8	1
WAD-18(S/L)	AAW 18/23/24	Smooth	22 1/4	39 1/2	24 1/4	41 1/2	24 1/8	41 3/8	1
WAD-19(S/L)	AAW 30/36	Smooth	22 1/4	42 1/2	24 1/4	44 1/2	24 1/8	44 3/8	1
WAD-20(S/L)	AAW 19/20/25/26	Embossed	20 3/4	38	22 3/4	40	22 5/8	39 7/8	1
WAD-21(S/L)	AAW 31/37	Embossed	24 1/4	38	26 1/4	40	26 1/8	39 7/8	1
WAD-22(S/L)	AAW 19/20/25/26	Smooth	20 3/4	38	22 3/4	40	22 5/8	39 7/8	1
WAD-23(S/L)	AAW 31/37	Smooth	24 1/4	38	26 1/4	40	26 1/8	39 7/8	1

AAW
AIR HANDLERS



Phone: 281.441.6500
Toll Free: 800.423.9007
Fax: 281.441.6510
www.aspenmfg.com



PRODUCT DIMENSIONS & SPECIFICATIONS

ABM SERIES MULTI-POSITION HYDRONIC AIR HANDLERS

STANDARD FEATURES

APPLICATION VERSATILITY

Upflow or horizontal right as shipped (field-convertible for downflow or horizontal left applications). Can be AHRI matched with most brands of air conditioners or heat pumps. ETL listed for use with either R22 or R410a when a proper metering device is used.

LOW LEAKAGE CABINET

Less than 2% air leakage from cabinet when tested in accordance with ASHRAE standard 193. Unit must be installed according to Aspen installation instructions. Sturdy, fully insulated galvanized steel cabinet with knockout for duct return.

MODULAR HEAT KITS

Heat kits available with either circuit breakers or terminal blocks. Available in 2, 3 & 4 row. Modules are easily installed in the field using Molex plugs or can be ordered factory-installed. Freeze stat is wired into circulating pump control circuit. Controls are accessible from the front for easy service. Electrical connections can be made from the top or left. Disconnect does not protrude through the wall panel. Fan time delay relay standard for increased efficiency. Totally lead free constructed coil. Suitable for potable applications.

BLOWER

Direct drive multi-speed blowers circulate air quietly and efficiently. Multiple motor speeds allow for precise air volume selection. Motor speeds can be easily selected via motor terminals. Blowers mounted on rails so they can be easily removed for service.

ELECTRONIC CONTROL BOARD

An electronic board controls the functioning of the system reducing moving parts. The board provides for various hot water supply source connections and the blower time delay to maximize heat/cool extraction. As an enhanced feature the pump circulates hot water every 6 hours to prevent coil freeze during off cycle.

DX COIL

High efficiency rifled copper tubes/enhanced aluminum fins provide maximum heat transfer. All coils immersion tested at 500 psi then nitrogen pressurized and factory sealed for maximum reliability. Liquid-line Schrader allows pre-installation pressure testing. Available with either orifice or TXV metering device. Field-installable bolt-on TXVs are also available. Rugged GLN drain pan holds minimal condensate while eliminating the possibility of corrosion. Drain pan is UV safe. All drain connections are 3/4" FPT. Access door allows for coil cleaning.

WARRANTY

Five-year limited parts warranty.

OPTIONS

See options menu.



Representative image only. Some models may vary in appearance. Due to continuous product improvement, specifications are subject to change without notice.

AIR HANDLERS ABM

Phone: 281.441.6500
 Toll Free: 800.423.9007
 Fax: 281.441.6510
www.aspenmfg.com



* For complete warranty details visit www.aspenmfg.com.

Revised 12/02/20. In keeping with its policy of continuous progress and product improvement, Aspen reserves the right to make changes without notice and incurring obligation. © 2020

HEATING AND COOLING PERFORMANCE AND ELECTRICAL DATA

Model	PERFORMANCE DATA								ELECTRICAL DATA	
	Nominal Cooling	Hydronic Heat Kit Model	Rows	Coil P.D.	Heating Capacity BTU/HR Standard pump at 3.5 GPM Nominal Airflow				MINIMUM CIRCUIT AMPACITY (MCA)	MAX BREAKER OR FUSE SIZE
					3.5 GPM	Entering Water Temp				
				120		140	160	180		
ABM18/19	18,000	W*2SP	2	2.7	17770	24900	32250	39600	4.1	15
		W*3SP	3	2.1	21600	30500	39450	48400		
ABM24/25	24,000	W*2SP	2	2.7	20200	28500	36950	45400	4.1	15
		W*3SP	3	2.1	25000	35300	45800	56300		
ABM30/31	30,000	W*2SP	2	2.5	22100	31300	40645	49990	7.9	15
		W*3SP	3	1.9	27700	39100	50750	62400		
		W*4SP	4	1.1	31000	43900	57000	70100		
ABM36/37	36,000	W*2SP	2	2.5	23700	33500	43550	53600	7.9	15
		W*3SP	3	1.9	29800	42100	54700	67300		
		W*4SP	4	1.1	33500	47400	61600	75800		
ABM42/43	42,000	W*2LP	2	2.5	30200	42600	55300	68000	12.5	25
		W*3LP	3	1.9	36300	51400	65000	78600		
		W*4LP	4	1.1	43600	61600	77250	92900		
ABM48/49	48,000	W*2LP	2	2.1	31700	44800	58100	71400	12.5	25
		W*3LP	3	1.6	38200	54000	67300	80600		
		W*4LP	4	0.9	45900	64900	81450	98000		
ABM60/61/62	60,000	W*2LP	2	1.7	32900	46600	60500	74400	12.5	25
		W*3LP	3	1.3	39700	56200	70100	84000		
		W*4LP	4	0.8	47800	67600	84900	102200		
ABM23	24000	W*2SP	2	2.7	20200	28500	36950	45400	4.1	15
		W*3SP	3	2.1	25000	35300	45800	56300		
ABM35	36000	W*2MP	2	2.5	27040	38215	49610	61005	7.9	15
		W*3MP	3	1.9	33185	46900	59540	72180		
		W*4MP	4	1.1	38750	54805	69815	84820		
ABM47	48000	W*3XP	3	1.3	38195	54020	65095	76170	12.5	25
		W*4XP	4	0.8	48200	68125	83380	98640		
Model	PERFORMANCE DATA								ELECTRICAL DATA	
	Nominal Cooling	Hydronic Heat Kit Model	Rows	Coil P.D.	Heating Capacity BTU/HR High Pressure Drop pump at 5 GPM Nominal Airflow				MINIMUM CIRCUIT AMPACITY (MCA)	MAX BREAKER OR FUSE SIZE
					5 GPM	Entering Water Temp				
				120		140	160	180		
ABM18/19	18,000	W*2S8	2	3.9	18700	26400	34150	41900	4.1	15
		W*3S8	3	2.9	22900	32300	41750	51200		
ABM24/25	24,000	W*2S8	2	3.9	22600	31600	40550	49500	4.1	15
		W*3S8	3	2.9	26900	38000	49150	60300		
ABM30/31	30,000	W*2S8	2	3.5	23900	33800	43800	53800	7.9	15
		W*3S8	3	2.6	30100	42500	55100	67700		
		W*4S8	4	1.5	34000	48000	62300	76600		
ABM36/37	36,000	W*2S8	2	3.5	25800	36500	47350	58200	7.9	15
		W*3S8	3	2.6	32800	46300	60000	73700		
		W*4S8	4	1.5	37200	52600	68200	83800		
ABM42/43	42,000	W*2L8	2	3.5	33200	46800	60650	74500	12.5	25
		W*3L8	3	2.6	40500	57300	70850	84400		
		W*4L8	4	1.5	49000	69300	86450	103600		
ABM48/49	48,000	W*2L8	2	3	34900	49300	63900	78500	12.5	25
		W*3L8	3	2.2	42750	60450	74825	89200		
		W*4L8	4	1.3	52000	73500	91725	109950		
ABM60/61/62	60,000	W*2L8	2	2.5	36600	51800	67150	82500	12.5	25
		W*3L8	3	1.9	45000	63600	78800	94000		
		W*4L8	4	1.1	55000	77700	97000	116300		
ABM23	24000	W*2S8	2	3.9	22600	31600	40550	49500	4.1	15
		W*3S8	3	2.9	26900	38000	49150	60300		
ABM35	36000	W*2M8	2	3.5	29625	41875	54295	66715	7.9	15
		W*3M8	3	2.6	36870	52095	65800	79505		
		W*4M8	4	1.5	43535	61545	78050	94560		
ABM47	48000	W*3X8	3	1.9	43295	61300	73190	85075	12.5	25
		W*4X8	4	1.1	55360	78230	95070	111900		

AIR HANDLERS

ABM



BLOWER DATA											
MODEL	MOTOR SPEED	MOTOR HP	MOTOR AMPS	MOTOR VOLTAGE	CFM V. EXTERNAL STATIC *						
					0.10	0.20	0.30	0.40	0.50		
ABM18/19/24/25	LOW	1/5	2.8	120	780	740	700	645	585		
	HIGH				850	800	745	685	620		
ABM23	LOW				825	780	735	675	630		
	HIGH				865	815	780	705	640		
ABM30/36 + WC2SL	LOW				1/3	5.8	925	910	850	825	800
	MED						1180	1155	1115	1060	1000
	HIGH	1330	1270				1205	1140	1070		
ABM35+ WC4ML	LOW	995	980				750	915	885		
	MED	1140	1085				1045	1000	950		
	HIGH	1220	1165				1130	1060	1000		
ABM 42/43/48/49/60/61/62	LOW	3/4	9.5				1360	1340	1310	1280	1230
	MED						1530	1470	1420	1360	1310
	HIGH			1730			1670	1600	1540	1480	
ABM47	LOW			1350	1315	1300	1245	1205			
	MED			1500	1450	1400	1350	1315			
	HIGH			1670	1615	1560	1515	1450			

* Dry coil with filter in place

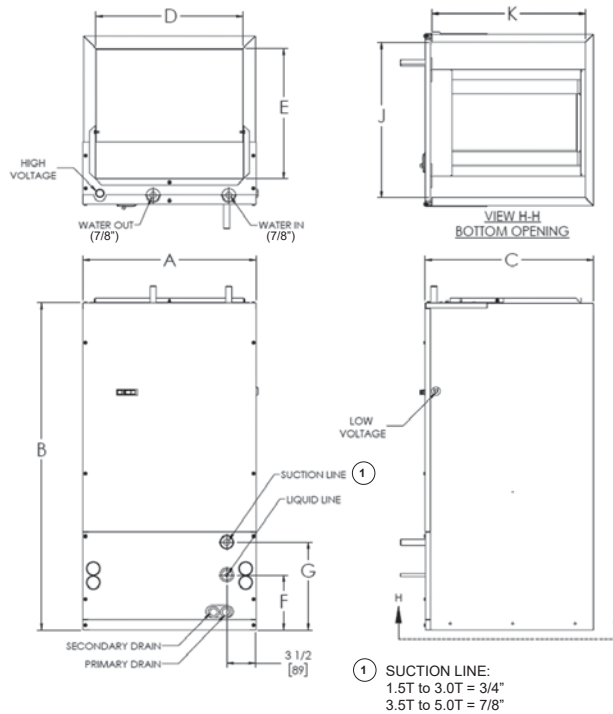
AIR HANDLER CHASSIS NOMENCLATURE			
ABM	18	F	-001
ABM = 120V PSC Motor Multi-Position Hydronic Air Handler	Nominal tonnage (MBTUH)	<u>Metering Device</u> 4 = non-bleed A/C or H/P R410 TXV B = 20% bleed A/C or H/P R22 TXV F = F-22 Flo-rater G = R410a Flo-rater X = non-bleed A/C or H/P R22 TXV	Option Code

HYDRONIC HEAT KIT NOMENCLATURE				
W	C	2	S	P
Water heat (hydronic)	<u>Interruption</u> C = Circuit Breaker T = Terminal Block	<u>Row</u> 2 3 4	S = ABM18,19,23,24,25,30,31,36,37 M = ABM35 L = ABM42,43,48,49,60,61,62 X = ABM47	L = Less Pump and Check Valve P = with Standard Pump and Check Valve R = with 009 High Pressure Drop Pump 8 = with 008 High Pressure Drop Pump

DIMENSIONS AND SPECIFICATIONS (In. [mm]) - Figure 1

MODEL	A	B	C	D	E	F	G	J	K	FILTER SIZE	PISTON SIZE	SHIP WEIGHT (LBS)	SKID QTY
ABM18+W*	21 [533]	49-1/4 [1251]	20-1/2 [521]	18-3/4 [476]	12 [305]	7-1/4 [184]	10-1/4 [260]	18-1/2 [470]	18-1/2 [470]	16X20	0.055	99	4
ABM19/24/25+W*	21 [533]	49-1/4 [1251]	20-1/2 [521]	18-3/4 [476]	12 [305]	8-1/4 [209]	12-1/4 [311]	18-1/2 [470]	18-1/2 [470]	16X20	0.059	100	4
ABM30+W*	21 [533]	49-1/4 [1251]	20-1/2 [521]	18-3/4 [476]	12 [305]	8-1/4 [209]	14-1/4 [362]	18-1/2 [470]	18-1/2 [470]	16X20	0.068	118	4
ABM36+W*	21 [533]	49-1/4 [1251]	20-1/2 [521]	18-3/4 [476]	12 [305]	10-1/4 [260]	16-1/4 [412]	18-1/2 [470]	18-1/2 [470]	16X20	0.068	118	4
ABM31/37+W*	21 [533]	49-1/4 [1251]	20-1/2 [521]	18-3/4 [476]	12 [305]	10-1/4 [260]	16-1/4 [412]	18-1/2 [470]	18-1/2 [470]	16X20	0.074	147	4
ABM42+W*	24-1/2 [622]	57 [1448]	20-1/2 [521]	22-1/4 [565]	14-3/4 [375]	11 [279]	16 [406]	22 [559]	18-1/2 [470]	20X20	0.080	153	4
ABM48+W*	24-1/2 [622]	57 [1448]	20-1/2 [521]	22-1/4 [565]	14-3/4 [375]	13 [330]	18 [457]	22 [559]	18-1/2 [470]	20X20	0.084	180	4
ABM43/49/60/62+W*	24-1/2 [622]	57 [1448]	20-1/2 [521]	22-1/4 [565]	14-3/4 [375]	13 [330]	18 [457]	22 [559]	18-1/2 [470]	20X20	0.084	180	4
ABM61+W*	24-1/2 [622]	57 [1448]	20-1/2 [521]	22-1/4 [565]	14-3/4 [375]	15 [381]	20 [508]	22 [559]	18-1/2 [470]	20X20	0.092	200	4
ABM23+W*	21 [533]	40 [1016]	20-1/2 [521]	18 [457]	16 [406]	6-3/4 [171]	10-3/4 [273]	18-1/2 [470]	18-1/2 [470]	16X20	0.059	100	4
ABM35+W*	21 [533]	42 [1067]	23 [584]	18 [457]	19 [483]	8-3/4 [222]	12-3/4 [324]	18 [457]	20 [533]	20X20	0.068	170	4
ABM47+W*	21 [533]	48 [1219]	28 [711]	18 [457]	24 [610]	11-3/4 [298]	15-3/4 [400]	18 [457]	25 [660]	20X25	0.084	200	4

Figure 1



AIR HANDLERS

ABM



Phone: 281.441.6500
 Toll Free: 800.423.9007
 Fax: 281.441.6510
www.aspenmfg.com





PRODUCT DIMENSIONS & SPECIFICATIONS

ABW SERIES WALL MOUNT HYDRONIC HEAT AIR HANDLERS

STANDARD FEATURES

APPLICATION VERSATILITY

Front or bottom return air. Offset hanging brackets attach to unit and wall to allow hanging inside closet. Can be AHRI matched with most brands of air conditioners or heat pumps. ETL listed for use with either R22 or R410a when a proper metering device is used.

LOW LEAKAGE CABINET

Less than 2% air leakage from cabinet when tested in accordance with ASHRAE standard 193. Unit must be installed according to Aspen installation instructions. Sturdy, fully insulated galvanized steel cabinet; stick pins ensure 1/2" insulation remains in place. Unit ships with disposable filter.

MODULAR HYDRONIC HEAT KITS

Heat kits available with either circuit breakers or terminal blocks. Available in 2, 3 & 4 row, providing 16,000 to 59,000 BTU's of heat. Heat kits are easily installed in the field using molex plugs or can be ordered factory-installed. Freeze stat is standard, wired into circulating pump control circuit. Controls are accessible from the front for easy service. Electrical connections can be made from the top or left. Disconnect does not protrude through the wall panel. Fan time delay relay standard for increased efficiency. Heat kits are available with or without circulating pump and check valve. Units are provided with auxiliary relay for remote pump. Schrader ports are standard on water-out manifold, hose bib available as an option. Totally lead free constructed coil. Suitable for potable applications.

BLOWER

Direct drive multi-speed blowers circulate air quietly and efficiently. Motor speeds can be easily selected via motor terminals. Swing mounted blowers can be easily removed for service.

ELECTRONIC CONTROL BOARD

An electronic board controls the functioning of the system reducing moving parts. The board provides for various hot water supply source connections and the blower time delay to maximize heat/cool extraction. As an enhanced feature the pump circulates hot water every 6 hours to prevent coil freeze during off cycle.

DX COIL

High efficiency rifled copper tubes/enhanced aluminum fins provide maximum heat transfer. All coils immersion tested at 500 psi then nitrogen pressurized and factory sealed for maximum reliability. Liquid-line Schrader allows pre-installation pressure testing. Available with either check style flowrater or TXV metering device. Field-installable TXVs are also available. Galvanized metal drain pan with bottom primary and secondary drain connections or alternate right side primary. All connections 3/4" FPT. Access door allows for coil cleaning.

WARRANTY

Five-year limited parts warranty.

OPTIONS

See options menu.



Representative image only. Some models may vary in appearance. Due to continuous product improvement, specifications are subject to change without notice.



AIR HANDLERS ABW

Phone: 281.441.6500
Toll Free: 800.423.9007
Fax: 281.441.6510
www.aspenmfg.com



* For complete warranty details visit www.aspenmfg.com.

Revised 05/11/21. In keeping with its policy of continuous progress and product improvement, Aspen reserves the right to make changes without notice and incurring obligation. © 2021

HEATING AND COOLING PERFORMANCE AND ELECTRICAL DATA

UNIT MODEL	PERFORMANCE DATA							ELECTRICAL DATA	
	HYDRONIC HEAT KIT MODEL	NOMINAL COOLING (BTUS)	HEATING COIL	Hydronic Coil Delta P.	Heating Capacity(BTU) @ 3.5 GPM			MINIMUM CIRCUIT AMPACITY (MCA)	MAX BREAKER OR FUSE SIZE
					ENTERING WATER TEMP				
			ROW	Ft. Water	120°	140°	180°		
ABW 18	U(C,T)2S(P,L)	18,000	2	3	18,800	26,600	42,300	4.1	15
	U(C,T)3S(P,L)		3	1.8	21,600	30,400	48,500		
ABW 24	U(C,T)2S(P,L)	24,000	2	3	21,000	30,100	48,000	4.1	15
	U(C,T)3S(P,L)		3	1.8	24,700	34,800	55,600		
ABW 30	U(C,T)2S(P,L)	30,000	2	3	23,200	32,800	52,500	7.9	15
	U(C,T)3S(P,L)		3	1.8	27,000	38,200	61,100		
	U(C,T)4S(P,L)		4	1.1	28,300	40,100	64,000		
ABW 36	U(C,T)2S(P,L)	36,000	2	3	24,700	35,000	56,000	7.9	15
	U(C,T)3S(P,L)		3	1.8	29,900	41,000	65,500		
	U(C,T)4S(P,L)		4	1.1	30,400	43,000	68,800		

BLOWER DATA

MODEL	MOTOR SPEED	MOTOR HP	MOTOR AMPS	MOTOR VOLTAGE	CFM V. EXTERNAL STATIC *				
					0.10	0.20	0.30	0.40	0.50
ABW18 & ABW 24	LOW	1/5	2.8	120	772	736	690	633	574
	HIGH				829	784	732	663	600
ABW30-36+UC2SL	LOW	1/3	5.8		850	825	815	795	765
	MED				1085	1045	1000	950	885
	HIGH				1220	1170	1100	1030	965

* Dry coil

AIR HANDLER CHASSIS NOMENCLATURE

ABW	18	F	-001
ABW = 120V PSC Motor Vertical Wall Mount	Nominal tonnage (MBTUH)	<u>Metering device</u> 4 = non-bleed A/C or H/P R410 TXV B = 20% bleed A/C or H/P R22 TXV F = R22 Flo-rater G = R410a Flo-rater X = non-bleed A/C or H/P R22 TXV	Option Code

HYDRONIC HEAT KIT NOMENCLATURE

U	C	2	S	P
		# of rows		P = Taco 006 Bronze Pump

ABW AIR HANDLERS

DIMENSIONS AND SPECIFICATIONS (In. [mm]) (Fig 1)

MODEL	A	B	C	D	E	FILTER SIZE	PISTON SIZE	SHIP WEIGHT (LBS)	SKID QTY
ABW18*	44-1/2 [113]	22 [56]	18-3/4 [48]	17-5/8 [45]	10-1/2 [27]	20X20	0.055	110	4
ABW24*	44-1/2 [113]	22 [56]	18-3/4 [48]	17-5/8 [45]	10-1/2 [27]	20X20	0.059	110	4
ABW30*	44-1/2 [113]	22 [56]	18-3/4 [48]	17-5/8 [45]	10-1/2 [27]	20X20	0.068	118	4
ABW36*	44-1/2 [113]	22 [56]	18-3/4 [48]	17-5/8 [45]	10-1/2 [27]	20X20	0.074	118	4

Fig 1

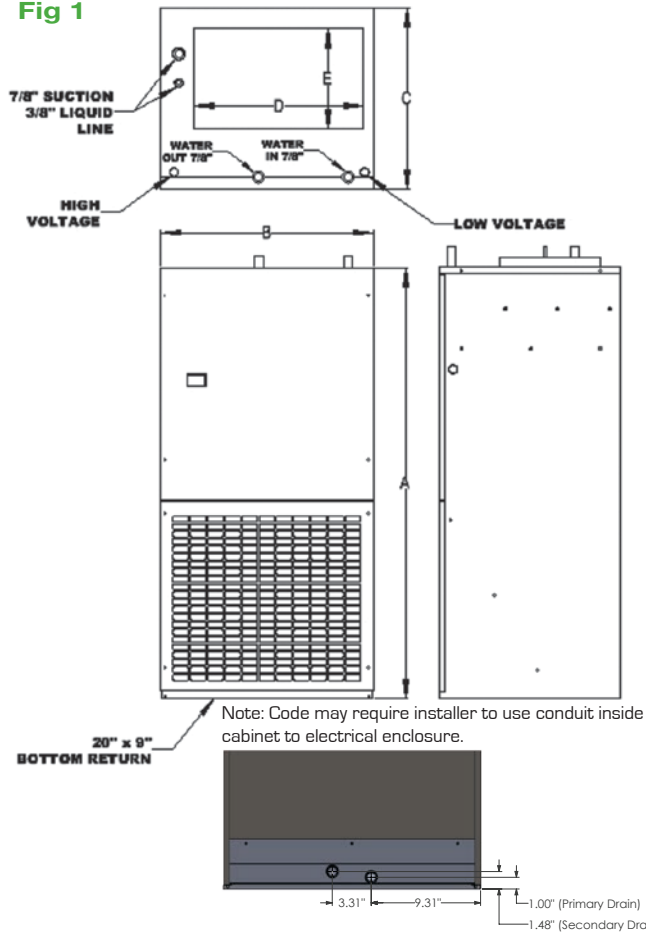
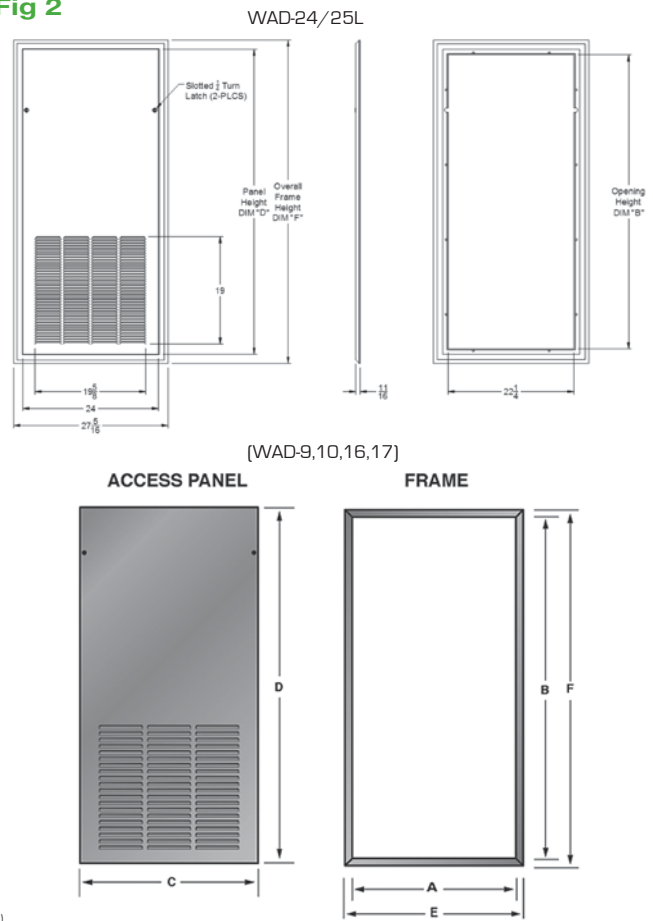


Fig 2



DIMENSIONS AND SPECIFICATIONS (Fig 2)

PANEL MODEL	FOR USE WITH	FINISH	OPENING SIZE		PANEL DIMENSION		FRAME DIMENSION		# OF PANELS
			A"	B"	C"	D"	E"	F"	
WAD-9[S/L]	ABW	Embossed	22 1/4	46	24 1/4	48	24 1/8	47 7/8	1
WAD-10[S/L]	ABW	Embossed	22 1/4	52	24 1/4	54	24 1/8	53 7/8	1
WAD-16[S/L]	ABW	Smooth	22 1/4	52	24 1/4	54	24 1/8	53 7/8	1
WAD-17[S/L]	ABW	Smooth	22 1/4	46	24 1/4	48	24 1/8	47 7/8	1
WAD-24L	ABW	Smooth	22 1/4	52	24	53 15/16	27 5/16	57 1/4	1
WAD-25L	ABW	Smooth	22 1/4	46	24	47 15/16	27 5/16	51 1/4	1



Phone: 281.441.6500
 Toll Free: 800.423.9007
 Fax: 281.441.6510
www.aspenmfg.com

AIR HANDLERS / ABW



PRODUCT DIMENSIONS & SPECIFICATIONS

AEC SERIES CEILING MOUNT ELECTRIC HEAT AIR HANDLERS

STANDARD FEATURES

APPLICATION VERSATILITY

Built in mounting tabs for ceiling or furrdown mounting. Louvered ceiling access panel has separate frame that attaches to ceiling joists. Solid access panel available for use with end return installations. Can be AHRI matched with most brands of air conditioners or heat pumps. ETL listed for use with either R22 or R410a when a proper metering device is used.

MOTOR

Constant torque ECM speeds and torques are controlled by software embedded in the motor to maintain constant torque. Motors are pre-programmed at the factory.

CABINET

Sturdy, fully insulated galvanized steel cabinet with painted front panels.

MODULAR ELECTRIC HEAT KITS

Heat kits available with either circuit breakers or terminal blocks. Available in 3, 5, 8, & 10 KW. Models with electric heat include sequencers and temperature limit switches for safe, efficient operation. Modules are easily installed in the field using Molex plugs or can be ordered factory-installed. Controls are accessible from the front for easy service. Electrical connections can be made from the top or left. Disconnect does not protrude through the wall panel. Fan time delay relay standard for increased efficiency.

BLOWER

Direct drive multi-speed blowers circulate air quietly and efficiently. Motor speeds can be easily selected via motor terminals. Swing mounted blowers can be easily removed for service.

ELECTRONIC CIRCUIT BOARD

Electronic circuit board provides 30 secs ON/OFF blower time delay extracting more heat/cool from the coil.

DX COIL

High efficiency rifled copper tubes/enhanced aluminum fins provide maximum heat transfer. All coils immersion tested at 500 psi then nitrogen pressurized and factory sealed for maximum reliability. Liquid-line Schrader allows pre-installation pressure testing. Available with either check style flowrater or TXV metering device. Field-installable TXVs are also available. Galvanized metal drain pan with bottom primary and secondary drain connections or alternate right side primary. All connections 3/4" FPT. Access door allows for coil cleaning.

WARRANTY

Five-year limited parts warranty.

OPTIONS

See options menu.



Representative image only. Some models may vary in appearance. Due to continuous product improvement, specifications are subject to change without notice.



AEC
AIR HANDLERS

Phone: 281.441.6500
Toll Free: 800.423.9007
Fax: 281.441.6510
www.aspenmfg.com



* For complete warranty details visit www.aspenmfg.com.

Revised 10/25/19. In keeping with its policy of continuous progress and product improvement, Aspen reserves the right to make changes without notice and incurring obligation. © 2019

HEATING AND COOLING PERFORMANCE AND ELECTRICAL DATA

MODEL	HEAT KIT	PERFORMANCE DATA					ELECTRICAL DATA			
		NOMINAL COOLING (BTUS)	HEATING (KW)		HEATING CAPACITY (MBTUH)		MINIMUM CIRCUIT AMPACITY (MCA)		MAX BREAKER OR FUSE SIZE	
			208V	240V	208V	240V	208V	240V	208V	240V
AEC18	G(C,T)S00	18,000	0	0	0.0	0.0	3.5	3.5	15	15
	G(C,T)S03		2.3	3	7.8	10.2	17.0	19.1	20	20
	G(C,T)S05		3.8	5	13.0	17.1	25.1	28.5	30	30
	G(C,T)S08		6.0	8	20.8	27.3	39.6	45.2	45	50
	G(C,T)S10		7.5	10	24.9	32.8	46.8	53.5	50	60
AEC24	G(C,T)S00	24,000	0	0	0.0	0.0	3.5	3.5	15	15
	G(C,T)S03		2.3	3	7.8	10.2	17.0	19.1	20	20
	G(C,T)S05		3.8	5	13.0	17.1	25.1	28.5	30	30
	G(C,T)S08		6.0	8	20.8	27.3	39.6	45.2	45	50
	G(C,T)S10		7.5	10	24.9	32.8	46.8	53.5	50	60
AEC30	G(C,T)S00	30,000	0	0	0.0	0.0	5.1	5.1	15	15
	G(C,T)S03		2.3	3	7.8	10.2	18.6	20.8	20	25
	G(C,T)S05		3.8	5	13.0	17.1	26.8	30.1	30	35
	G(C,T)S08		6.0	8	20.8	27.3	41.2	46.8	45	50
	G(C,T)S10		7.5	10	24.9	32.8	48.4	55.1	50	60
AEC36 & AEC37	G(C,T)S00	36,000	0	0	0.0	0.0	5.1	5.1	15	15
	G(C,T)S03		2.3	3	7.8	10.2	18.6	20.8	20	25
	G(C,T)S05		3.8	5	13.0	17.1	26.8	30.1	30	35
	G(C,T)S08		6.0	8	20.8	27.3	41.2	46.8	45	50
	G(C,T)S10		7.5	10	24.9	32.8	48.4	55.1	50	60

BLOWER DATA

MODEL	SPEED TAP	MOTOR HP	MOTOR AMPS	MOTOR VOLTAGE	CFM V. EXTERNAL STATIC * †				
					0.10	0.20	0.30	0.40	0.50
AEC 18 & AEC 24	TAP 5	1/3	2.8	240	890	830	780	730	680
	TAP 4				750	680	640	600	560
	TAP 3				600	565	539	502	480
	TAP 2				750	830	780	730	560
	TAP 1				890	680	640	600	680
AEC 30 & AEC 36 & AEC 37	TAP 5	1/2	4.1		1220	1160	1110	1070	1010
	TAP 4				1110	1075	1040	1010	980
	TAP 3				898	873	853	827	800
	TAP 2				1110	1075	1040	1010	980
	TAP 1				1220	1160	1110	1070	1010

* Wet coil with filter † For 208 operation multiply by 0.90

AIR HANDLER CHASSIS NOMENCLATURE

AEC	18	F	-001
AEC = 240V Constant torque ECM Ceiling Mount	Nominal tonnage (MBTUH)	Metering device 4 = non-bleed A/C or H/P R410 TXV B = 20% bleed A/C or H/P R22 TXV F = R22 Flo-rater G = R410a Flo-rater X = non-bleed A/C or H/P R22 TXV	Option Code

ELECTRIC HEAT KIT NOMENCLATURE

G	C	S	03
Ceiling Mount Electric Heat	Interruption C = Circuit Breaker T = Terminal Block	S = 18-36	Heat Strip 03 = 3 KW 05 = 5 KW 08 = 8 KW 10 = 10 KW

AIR HANDLERS AEC

DIMENSIONS AND SPECIFICATIONS (In. [mm]) (Fig 1)

MODEL	HEIGHT A	WIDTH B	DEPTH C	D	E	FILTER SIZE	PISTON SIZE	SHIP WEIGHT [LBS]	SKID QTY
AEC18*	57 1/2 [146]	22 1/2 [57]	12 [30]	20 3/8 [52]	8 (20)	20X20	0.055	91	6
AEC24*	57 1/2 [146]	22 1/2 [57]	12 [30]	20 3/8 [52]	8 (20)	20X20	0.059	91	6
AEC30*	57 1/2 [146]	22 1/2 [57]	12 [30]	20 3/8 [52]	8 (20)	20X20	0.068	100	6
AEC36* & AEC37*	57 1/2 [146]	22 1/2 [57]	12 [30]	20 3/8 [52]	8 (20)	20X20	0.074	100	6

INSTALLATION CLEARANCES

	OPERATION	SERVICE
TOP	0"	0"
FRONT	0"	30"
SIDES	0"	0"
REAR	0"	0"

Fig 1

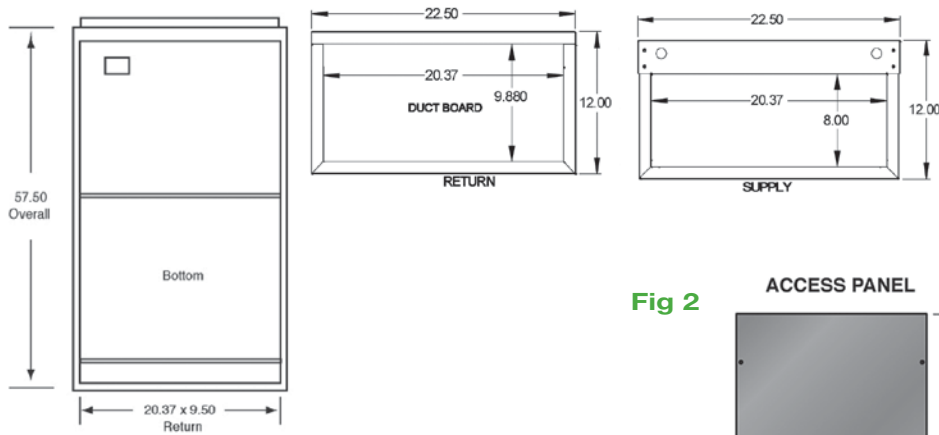
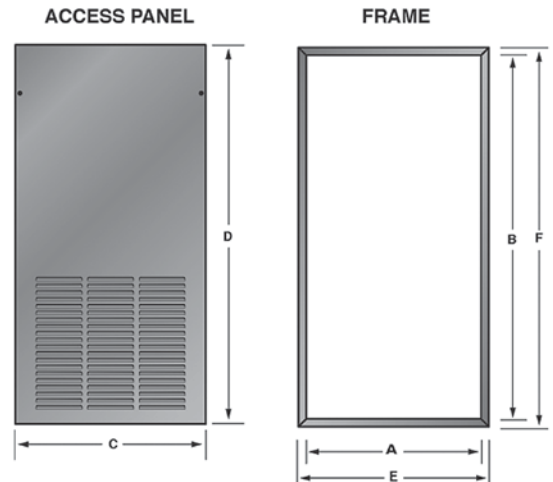


Fig 2



ACCESS DOOR DIMENSIONS AND SPECIFICATIONS (Fig 2)

PANEL MODEL	FOR USE WITH	OPENING SIZE		PANEL DIMENSION		FRAME DIMENSION		# OF PANELS
		A	B	C	D	E	F	
CAD-4(S/L)	AEC	22-3/4	58	24-3/4	60	24-5/8	59-7/8	2



Phone: 281.441.6500
Toll Free: 800.423.9007
Fax: 281.441.6510
www.aspenmfg.com

AEC AIR HANDLERS



PRODUCT DIMENSIONS & SPECIFICATIONS

AEL SERIES MULTI-POSITION HIGH EFFICIENCY ELECTRIC FURNACE

AIR HANDLERS **AEL**



Representative image only. Some models may vary in appearance. Due to continuous product improvement, specifications are subject to change without notice.



STANDARD FEATURES

APPLICATION VERSATILITY

Upflow or horizontal left as shipped (field convertible for downflow or horizontal right)

MOTOR

X-13 has 5 speed taps. Multi-speed option available with option code. Motors are pre-programmed at the factory.

CABINET

Sturdy, low profile galvanized steel cabinet with painted front panels. Cabinet fully insulated with 1/2" micro mat non-hygroscopic insulation to prevent sweating and mold growth, to encapsulate glass fibers, and to provide excellent R-value. Stick pins ensure insulation remains in place. Units ship with disposable filter in filter rack.

MODULAR ELECTRIC HEAT KITS

Heat kits available with either circuit breakers or terminal blocks. Available with 3 to 30 KW. Models with electric heat include sequencers and temperature limit switches for safe, efficient operation. Modules are easily installed in the field using Molex plugs or can be ordered factory-installed. Controls are accessible from the front for easy service. Electrical connections can be made from the top or left. Disconnect does not protrude through the wall panel. Fan time delay relay standard.

BLOWER

Direct drive multi-speed blowers circulate air quietly and efficiently and allow for precise air volume selection. Five motor speeds can be easily selected via motor terminals. Blowers mounted on rails so they can be easily removed for service.

WARRANTY

Five-year limited parts warranty.

OPTIONS

See options menu.

Phone: 281.441.6500
Toll Free: 800.423.9007
Fax: 281.441.6510
www.aspenmfg.com



* For complete warranty details visit www.aspenmfg.com.

Revised 10/29/20. In keeping with its policy of continuous progress and product improvement, Aspen reserves the right to make changes without notice and incurring obligation. © 2020

HEATING AND COOLING PERFORMANCE AND ELECTRICAL DATA

MODEL	HEAT KIT	PERFORMANCE DATA					ELECTRICAL DATA			
		NOMINAL COOLING (BTUS)	HEATING (KW)		HEATING CAPACITY (MBTUH)		MINIMUM CIRCUIT AMPACITY (MCA)		MAX BREAKER OR FUSE SIZE	
			208V	240V	208V	240V	208V	240V	208V	240V
AELS	E(C,T)S00	18,000 24,000	0.0	0.0	0.0	0.0	3.5	3.5	15.0	15.0
	E(C,T)S03		2.3	3.0	7.8	10.2	17.0	19.1	20.0	20.0
	E(C,T)S05		3.6	4.8	12.6	16.4	25.1	28.5	25.0	30.0
	E(C,T)S08		6.0	8.0	20.8	27.3	39.6	45.2	40.0	45.0
	E(C,T)S10		7.2	9.6	25.3	32.8	46.8	53.5	50.0	60.0
AELM	E(C,T)S00	30,000 36,000	0.0	0.0	0.0	0.0	5.1	5.1	15.0	15.0
	E(C,T)S03		2.3	3.0	7.8	10.2	18.6	20.8	20.0	25.0
	E(C,T)S05		3.6	4.8	12.6	16.4	26.8	30.1	30.0	30.0
	E(C,T)S08		6.0	8.0	20.8	27.3	41.2	46.8	45.0	50.0
	E(C,T)S10		7.2	9.6	25.3	32.8	48.4	55.1	50.0	60.0
	E(C,T)S15		11.3	14.4	38.5	49.1	48.4 / 21.6	55.1 / 25	50/25	60/25
AELL	E(C,T)L00	42,000 48,000 60,000	0.0	0.0	0.0	0.0	9.5	9.5	20.0	20.0
	E(C,T)L08		6.1	8.0	7.8	10.2	45.6	51.2	45.0	60.0
	E(C,T)L10		7.4	9.6	12.6	16.4	52.8	59.5	60.0	60.0
	E(C,T)L15		11.3	14.4	38.6	49.1	52.8 / 21.6	59.5 / 25	60/25	60/25
	E(C,T)L20		14.4	19.2	49.1	65.5	52.8 / 43.3	59.5 / 50	60/45	60/50
	E(C,T)L25		18.0	24.0	61.4	81.9	52.8/43.3/21.6	59.5/50/25	60/45/25	60/50/25
	E(C,T)L30		21.6	28.8	73.7	98.26	52.8/43.3/43.3	59.5/50/50	60/45/45	60/50/50

BLOWER DATA

MODEL	MOTOR SPEED	MOTOR HP	MOTOR AMPS	MOTOR VOLTAGE	CFM V. EXTERNAL STATIC *				
					0.10	0.20	0.30	0.40	0.50
AELS	T1	1/3	2.8	240	650	590	540	500	470
	T2				685	650	600	575	540
	T3				885	850	810	775	750
	T4				1075	1040	1000	960	930
	T5				1300	1250	1210	1170	1130
AELM	T1	1/2	4.1	240	990	980	930	800	750
	T2				1100	1050	1020	1000	950
	T3				1275	1240	1200	1175	1150
	T4				1450	1410	1380	1350	1310
	T5				1575	1550	1525	1490	1465
AELL	T1	1	7.6	240	1340	1200	1050	865	775
	T2				1480	1375	1230	1100	980
	T3				1725	1650	1630	1590	1540
	T4				1900	1865	1830	1775	1740
	T5				2120	2075	2015	1975	1940

*Dry coil with filter in place. CFM is based on a 3 row coil. For approximate CFM with a 4 row coil multiply CFM by .96

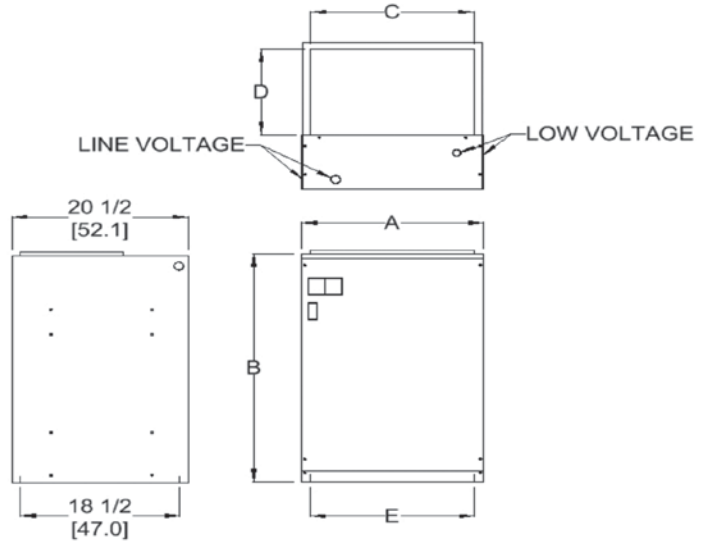
AEL

AIR HANDLERS

AIR HANDLER CHASSIS NOMENCLATURE		
AAL	S	-001
AEL = 240V X13 Motor Multi-Position Electric Furnace	S = 18 & 24 M = 30 & 36 L = 42, 48 & 60	Option Code

ELECTRIC HEAT KIT NOMENCLATURE			
E	C	S	03
Electric Heat	Interruption C = Circuit Breaker T = Terminal Block P = Single Point Hookup 3 = 3-Phase Circuit Breaker 4 = 3-Phase Terminal Block	S = 18-36 L = 42-60	Heat Strip 03 = 3 KW 05 = 5 KW 06 = 6 KW 08 = 8 KW 10 = 10 KW 12 = 12 KW 15 = 15 KW 20 = 20 KW 24 = 24 KW 25 = 25 KW 30 = 30 KW

DIMENSIONS AND SPECIFICATIONS								
MODEL	WIDTH A	HEIGHT B	DUCT OPENING		BOTTOM OPENING	FILTER SIZE	SHIP WEIGHT (LBS)	SKID QTY
			C	D	E			
AELS	21	26	18-3/4	12	18-1/2	16X20	69	8
AELM	21	26	18-3/4	12	18-1/2	16X20	78	8
AELL	24-1/2	32	22-1/4	10-1/2	22	20x20	89	8



Phone: 281.441.6500
 Toll Free: 800.423.9007
 Fax: 281.441.6510
www.aspenmfg.com



PRODUCT DIMENSIONS & SPECIFICATIONS

AEM SERIES MULTI-POSITION ELECTRIC HEAT AIR HANDLERS



Representative image only. Some models may vary in appearance. Due to continuous product improvement, specifications are subject to change without notice.

STANDARD FEATURES

APPLICATION VERSATILITY

Upflow or horizontal right as shipped (field-convertible for downflow or horizontal left applications). Can be AHRI certified with most brands of air conditioners or heat pumps. ETL listed for use with either R22 or R410a when a proper metering device is used.

MOTOR

Constant torque ECM speeds and torques are controlled by software embedded in the motor to maintain constant torque. Motors are pre-programmed at the factory.

LOW LEAKAGE CABINET

Less than 2% air leakage from cabinet when tested in accordance with ASHRAE standard 193. Unit must be installed according to Aspen installation instructions. Sturdy, fully insulated galvanized steel cabinet; stick pins ensure 1/2" insulation remains in place. Unit ships with disposable filter.

BLOWER

Direct drive blowers circulate air quietly and efficiently. Motor speeds and torques programmed in the motor. Blowers mounted on rails so they can be easily removed for service.

ELECTRONIC CIRCUIT BOARD

Electronic circuit board provides 30 secs ON/OFF blower time delay extracting more heat/cool from the coil. Automotive-style pull fuse protection on the circuit board to provide low voltage and transformer protection.

MODULAR ELECTRIC HEAT KITS

Heat kits available with either circuit breakers or terminal blocks. Available from 3 to 30 KW. Models with electric heat include sequencers and temperature limit switches for safe, efficient operation. Modules are easily installed in the field using molex plugs or can be ordered factory-installed. Controls are accessible from the front for easy service. Electrical connections can be made from the top or left. Disconnect does not protrude through the wall panel. Fan time delay relay standard for increased efficiency.

DX COIL

High efficiency rifled copper tubes/enhanced aluminum fins provide maximum heat transfer. All coils immersion tested at 500 psi then nitrogen pressurized and factory sealed for maximum reliability. Liquid-line Schrader allows pre-installation pressure testing. Available with either orifice or TXV metering device. Field-installable bolt-on TXVs are also available. Rugged, UV safe, GLP drain pan holds minimal condensate while eliminating the possibility of corrosion. All drain connections are 3/4" FPT. Access door allows for coil cleaning.

WARRANTY

Ten-year limited parts warranty.

OPTIONS

See options menu.

Phone: 281.441.6500
Toll Free: 800.423.9007
Fax: 281.441.6510
www.aspenmfg.com



AEM AIR HANDLERS

* For complete warranty details visit www.aspenmfg.com.

Revised 04/05/21. In keeping with its policy of continuous progress and product improvement, Aspen reserves the right to make changes without notice and incurring obligation. © 2021

HEATING AND COOLING PERFORMANCE AND ELECTRICAL DATA

MODEL	ELECTRIC HEAT KIT MODEL	PERFORMANCE DATA						ELECTRICAL DATA			
		HEATING (KW)		HEAT KIT ONLY AMPS		HEATING CAPACITY (MBTUH)		MINIMUM CIRCUIT AMPACITY (MCA)		MAX BREAKER OR FUSE SIZE	
		208V	240V	208V	240V	208V	240V	208V	240V	208V	240V
AEM 18/19	E(C,T)S00	0.0	0.0	0.0	0.0	0.0	0.0	3.5	3.5	15	15
	E(C,T)S03	2.3	3.0	11.1	12.5	7.8	10.2	17.0	19.1	20	20
	E(C,T)S05	3.8	5.0	18.3	20.8	13.0	17.1	25.1	28.5	25	30
	E(C,T)S08	6.1	8.0	29.3	33.3	20.8	27.3	39.6	45.2	40	45
	E(C,T)S10	7.6	10.0	36.5	41.7	25.9	34.1	46.8	53.5	50	60
AEM 24/25	E(C,T)S00	0.0	0.0	0.0	0.0	0.0	0.0	3.5	3.5	15	15
	E(C,T)S03	2.3	3.0	11.1	12.5	7.8	10.2	17.0	19.1	20	20
	E(C,T)S05	3.8	5.0	18.3	20.8	13.0	17.1	25.1	28.5	25	30
	E(C,T)S08	6.1	8.0	29.3	33.3	20.8	27.3	39.6	45.2	40	45
	E(C,T)S10	7.6	10.0	36.5	41.7	25.9	34.1	46.8	53.5	50	60
AEM 30/31	E(C,T)S00	0.0	0.0	0.0	0.0	0.0	0.0	5.1	5.1	15	15
	E(C,T)S03	2.3	3.0	11.1	12.5	7.8	10.2	18.6	20.8	20	25
	E(C,T)S05	3.8	5.0	18.3	20.8	13.0	17.1	26.8	30.1	30	30
	E(C,T)S08	6.1	8.0	29.3	33.3	20.8	27.3	41.3	46.8	45	50
	E(C,T)S10	7.6	10.0	36.5	41.7	25.9	34.1	48.4	55.1	50	60
	E(C,T)S15	11.3	15.0	54.3	62.5	38.6	51.2	48.4/21.6	55.1/25	50/25	60/25
AEM 36/37	E(C,T)S00	0.0	0.0	0.0	0.0	0.0	0.0	5.1	5.1	15	15
	E(C,T)S03	2.3	3.0	11.1	12.5	7.8	10.2	18.6	20.8	20	25
	E(C,T)S05	3.8	5.0	18.3	20.8	13.0	17.1	26.8	30.1	30	30
	E(C,T)S08	6.1	8.0	29.3	33.3	20.8	27.3	41.3	46.8	45	50
	E(C,T)S10	7.6	10.0	36.5	41.7	25.9	34.1	48.4	55.1	50	60
	E(C,T)S15	11.3	15.0	54.3	62.5	38.6	51.2	48.4/21.6	55.1/25	50/25	60/25
AEM 42/43	F(C,T)L00	0.0	0.0	0.0	0.0	0.0	0.0	9.5	9.5	20	20
	E(C,T)L05	3.8	5.0	18.3	20.8	13.0	17.1	31.1	34.5	35	40
	E(C,T)L10	7.6	10.0	36.5	41.7	25.9	34.1	52.8	59.5	60	60
	E(C,T)L15	11.3	15.0	54.3	62.5	38.6	51.2	52.8/21.6	59.5/25	60/25	60/25
	E(C,T)L20	15.0	20.0	72.1	83.3	51.2	68.3	52.8/43.3	59.5/50	60/45	60/50
	E(C,T)L25	18.8	25.0	90.4	104.2	64.2	85.3	52.8/43.3/21.6	59.5/50/25	60/45/25	60/50/25
	E(C,T)L30	22.5	30.0	108.2	125.0	76.8	102.4	52.8/43.3/43.3	59.5/50/50	60/45/45	60/50/50
AEM 48/49	F(C,T)L00	0.0	0.0	0.0	0.0	0.0	0.0	9.5	9.5	20	20
	E(C,T)L05	3.8	5.0	18.3	20.8	13.0	17.1	31.1	34.5	35	40
	E(C,T)L10	7.6	10.0	36.5	41.7	25.9	34.1	52.8	59.5	60	60
	E(C,T)L15	11.3	15.0	54.3	62.5	38.6	51.2	52.8/21.6	59.5/25	60/25	60/25
	E(C,T)L20	15.0	20.0	72.1	83.3	51.2	68.3	52.8/43.3	59.5/50	60/45	60/50
	E(C,T)L25	18.8	25.0	90.4	104.2	64.2	85.3	52.8/43.3/21.6	59.5/50/25	60/45/25	60/50/25
	E(C,T)L30	22.5	30.0	108.2	125.0	76.8	102.4	52.8/43.3/43.3	59.5/50/50	60/45/45	60/50/50
AEM 60/61/62	F(C,T)L00	0.0	0.0	0.0	0.0	0.0	0.0	9.5	9.5	20	20
	E(C,T)L05	3.8	5.0	18.3	20.8	13.0	17.1	31.1	34.5	35	40
	E(C,T)L10	7.6	10.0	36.5	41.7	25.9	34.1	52.8	59.5	60	60
	E(C,T)L15	11.3	15.0	54.3	62.5	38.6	51.2	52.8/21.6	59.5/25	60/25	60/25
	E(C,T)L20	15.0	20.0	72.1	83.3	51.2	68.3	52.8/43.3	59.5/50	60/45	60/50
	E(C,T)L25	18.8	25.0	90.4	104.2	64.2	85.3	52.8/43.3/21.6	59.5/50/25	60/45/25	60/50/25
	E(C,T)L30	22.5	30.0	108.2	125.0	76.8	102.4	52.8/43.3/43.3	59.5/50/50	60/45/45	60/50/50

AIR HANDLERS AEM

BLOWER DATA

MODEL	SPEED TAP	MOTOR HP	MOTOR AMPS	MOTOR VOLTAGE	CFM V. EXTERNAL STATIC*						
					0.10	0.20	0.30	0.40	0.50	0.60	0.70
AEM 18/19/24/25	TAP 5	1/3	2.8	240	932	894	862	827	800	762	
	TAP 4				750	706	674	627	600	561	
	TAP 3				600	565	539	502	480	449	
	TAP 2				750	706	674	627	600	561	
	TAP 1				932	894	862	827	800	762	
AEM 30/31/36/37	TAP 5	1/2	4.1		1291	1280	1252	1227	1200	1171	
	TAP 4				1122	1091	1066	1034	1000	982	
	TAP 3				898	873	853	827	800	786	
	TAP 2				745	698	668	630	600	558	
	TAP 1				1291	1280	1252	1227	1200	1171	
AEM 42/43/48/49/60/61/62	TAP 5	1	7.6		2018	1987	1961	1922	1889	1856	1823
	TAP 4				1738	1696	1667	1636	1598	1566	1527
	TAP 3				1546	1521	1482	1439	1396	1360	1321
	TAP 2				1367	1342	1303	1260	1217	1181	1142
	TAP 1				2018	1987	1961	1922	1889	1856	1823

*Wet coil

AIR HANDLER CHASSIS NOMENCLATURE

AEM	18	F	-001
AEM = 240V Constant torque ECM Multi-Position Air Handler	Nominal tonnage (MBTUH)	<u>Metering device</u> 4 = non-bleed A/C or H/P R410 TXV B = 20% bleed A/C or H/P R22 TXV F = Flo-rater X = non-bleed A/C or H/P R22 TXV	Option Code

ELECTRIC HEAT KIT NOMENCLATURE

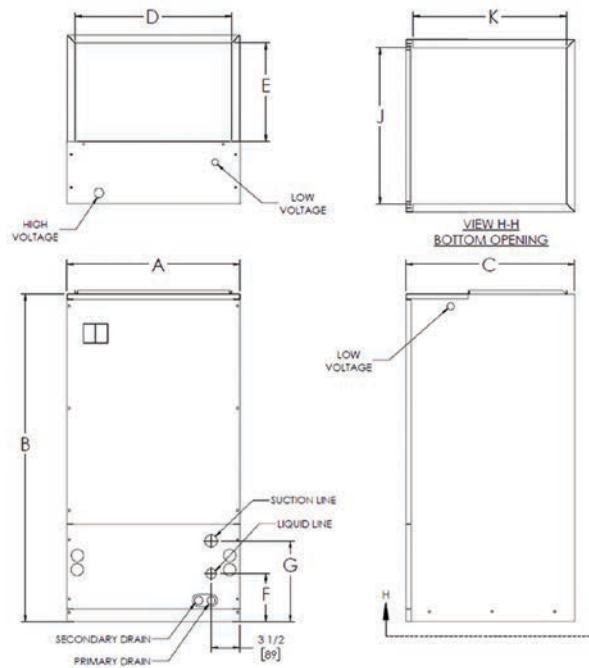
E	C	S	03
Electric Heat	<u>Interruption</u> C = Circuit Breaker T = Terminal Block P = Circuit Breaker w/Single Point	S = 18-37 L = 42-62	<u>Heat Strip</u> 00 = 0 KW 03 = 3 KW 05 = 5 KW 06 = 6 KW 08 = 8 KW 10 = 10 KW 15 = 15 KW 20 = 20 KW 25 = 25 KW 30 = 30 KW

AEM
AIR HANDLERS

DIMENSIONS AND SPECIFICATIONS (In. [mm]) - Figure 1

MODEL	A	B	C	D	E	F	G	J	K	FILTER SIZE	PISTON SIZE	SHIP WEIGHT (LBS)	SKID QTY
AEM18+E*	21 [533]	40 [1016]	20-1/2 [521]	18-3/4 [476]	12 [305]	7-1/4 [184]	10-1/4 [260]	18-1/2 [470]	18-1/2 [470]	16X20	0.055	99	4
AEM19/24/25+E*	21 [533]	40 [1016]	20-1/2 [521]	18-3/4 [476]	12 [305]	8-1/4 [209]	12-1/4 [311]	18-1/2 [470]	18-1/2 [470]	16X20	0.059	100	4
AEM30+E*	21 [533]	49-1/4 [1251]	20-1/2 [521]	18-3/4 [476]	12 [305]	8-1/4 [209]	14-1/4 [362]	18-1/2 [470]	18-1/2 [470]	16X20	0.068	118	4
AEM36+E*	21 [533]	49-1/4 [1251]	20-1/2 [521]	18-3/4 [476]	12 [305]	10-1/4 [260]	16-1/4 [412]	18-1/2 [470]	18-1/2 [470]	16X20	0.068	118	4
AEM31/37+E*	21 [533]	49-1/4 [1251]	20-1/2 [521]	18-3/4 [476]	12 [305]	10-1/4 [260]	16-1/4 [412]	18-1/2 [470]	18-1/2 [470]	16X20	0.074	147	4
AEM42+E*	24-1/2 [622]	57 [1448]	20-1/2 [521]	22-1/4 [565]	14-3/4 [375]	11 [279]	16 [406]	22 [559]	18-1/2 [470]	20X20	0.080	153	4
AEM48+E*	24-1/2 [622]	57 [1448]	20-1/2 [521]	22-1/4 [565]	14-3/4 [375]	13 [330]	18 [457]	22 [559]	18-1/2 [470]	20X20	0.084	180	4
AEM43/49/60/62+E*	24-1/2 [622]	57 [1448]	20-1/2 [521]	22-1/4 [565]	14-3/4 [375]	13 [330]	18 [457]	22 [559]	18-1/2 [470]	20X20	0.084	180	4
AEM61+E*	24-1/2 [622]	57 [1448]	20-1/2 [521]	22-1/4 [565]	14-3/4 [375]	15 [381]	20 [508]	22 [559]	18-1/2 [470]	20X20	0.092	200	4

Figure 1



AIR HANDLERS

AEM



Phone: 281.441.6500
 Toll Free: 800.423.9007
 Fax: 281.441.6510
www.aspenmfg.com



PRODUCT DIMENSIONS & SPECIFICATIONS

AEW SERIES VERTICAL WALL MOUNT ELECTRIC HEAT AIR HANDLERS



Representative image only. Some models may vary in appearance. Due to continuous product improvement, specifications are subject to change without notice.



STANDARD FEATURES

APPLICATION VERSATILITY

Front or bottom return air position. Offset hanging brackets attach to unit and wall to allow hanging inside closet. Can be AHRI matched with most brands of air conditioners or heat pumps. ETL listed for use with either R22 or R410a when a proper metering device is used.

MOTOR

Pre-programmed, 5-speed, ECM motors that ensure higher efficiency and increased energy savings by delivering constant torque during operation.

LOW LEAKAGE CABINET

Less than 2% air leakage from cabinet when tested in accordance with ASHRAE standard 193. Unit must be installed according to Aspen installation instructions. Sturdy, fully insulated galvanized steel cabinet; stick pins ensure 1/2" insulation remains in place. Unit ships with disposable filter.

MODULAR ELECTRIC HEAT KITS

Heat kits available with either circuit breakers or terminal blocks. Available in 3, 5, 8, & 10 KW. Models with electric heat include sequencers and temperature limit switches for safe, efficient operation. Modules are easily installed in the field using molex plugs or can be ordered factory-installed. Controls are accessible from the front for easy service. Electrical connections can be made from the top or left. Disconnect does not protrude through the wall panel. Fan time delay relay standard for increased efficiency.

BLOWER

Direct drive multi-speed blowers circulate air quietly and efficiently. Motor speeds can be easily selected via motor terminals. Swing mounted blowers can be easily removed for service.

ELECTRONIC CIRCUIT BOARD

Electronic circuit board provides 30 secs ON/OFF blower time delay extracting more heat/cool from the coil. Automotive-style pull fuse protection on the circuit board to provide low voltage and transformer protection.

DX COIL

High efficiency rifled copper tubes/enhanced aluminum fins provide maximum heat transfer. All coils immersion tested at 500 psi then nitrogen pressurized and factory sealed for maximum reliability. Liquid-line Schrader allows pre-installation pressure testing. Available with either check style flowrater or TXV metering device. Field-installable TXVs are also available. Galvanized metal drain pan with bottom primary and secondary drain connections or alternate right side primary. All connections 3/4" FPT. Access door allows for coil cleaning.

WARRANTY

Five-year limited parts warranty.

OPTIONS

See options menu.

AEW
AIR HANDLERS

Phone: 281.441.6500
Toll Free: 800.423.9007
Fax: 281.441.6510
www.aspenmfg.com



* For complete warranty details visit www.aspenmfg.com.

Revised 10/29/20. In keeping with its policy of continuous progress and product improvement, Aspen reserves the right to make changes without notice and incurring obligation. © 2020

HEATING AND COOLING PERFORMANCE AND ELECTRICAL DATA

MODEL	HEAT KIT	PERFORMANCE DATA					ELECTRICAL DATA			
		NOMINAL COOLING (BTUS)	HEATING (KW)		HEATING CAPACITY (MBTUH)		MINIMUM CIRCUIT AMPACITY (MCA)		MAX BREAKER OR FUSE SIZE	
			208V	240V	208V	240V	208V	240V	208V	240V
AEW18	F[C,T]S00	18,000	0.0	0.0	0.0	0.0	3.5	3.5	15.0	15.0
	F[C,T]S03		2.3	3.0	7.8	10.2	17.0	19.1	20.0	20.0
	F[C,T]S05		3.7	4.8	12.6	16.4	25.1	28.5	30.0	30.0
	F[C,T]S06		4.6	6.0	13.5	17.9	30.5	34.8	30.0	35.0
	F[C,T]S08		6.0	8.0	20.5	27.3	39.6	45.2	40.0	45.0
	F[C,T]S10		7.2	9.6	24.5	32.8	46.8	53.5	50.0	60.0
AEW19/20	F[C,T]S00	18,000	0.0	0.0	0.0	0.0	3.0	3.0	15.0	15.0
	F[C,T]S03		2.3	3.0	7.8	10.2	16.5	18.6	20.0	20.0
	F[C,T]S05		3.7	4.8	12.6	16.4	24.6	28.0	25.0	30.0
	F[C,T]S06		4.6	6.0	13.5	17.9	30.0	34.3	30.0	35.0
	F[C,T]S08		6.0	8.0	20.5	27.3	39.1	44.7	40.0	45.0
	F[C,T]S10		7.2	9.6	24.5	32.8	46.3	53.0	50.0	60.0
AEW23/24	F[C,T]S00	24,000	0.0	0.0	0.0	0.0	3.5	3.5	15.0	15.0
	F[C,T]S03		2.3	3.0	7.8	10.2	17.0	19.1	20.0	20.0
	F[C,T]S05		3.7	4.8	12.6	16.4	25.1	28.5	30.0	30.0
	F[C,T]S06		4.6	6.0	13.5	17.9	30.5	34.8	30.0	35.0
	F[C,T]S08		6.0	8.0	20.5	27.3	39.6	45.2	40.0	45.0
	F[C,T]S10		7.2	9.6	24.5	32.8	46.8	53.5	50.0	60.0
AEW25/26	F[C,T]S00	24,000	0.0	0.0	0.0	0.0	3.0	3.0	15.0	15.0
	F[C,T]S03		2.3	3.0	7.8	10.2	16.5	18.6	20.0	20.0
	F[C,T]S05		3.7	4.8	12.6	16.4	24.6	28.0	25.0	30.0
	F[C,T]S06		4.6	6.0	13.5	17.9	30.0	34.3	30.0	35.0
	F[C,T]S08		6.0	8.0	20.5	27.3	39.1	44.7	40.0	45.0
	F[C,T]S10		7.2	9.6	24.5	32.8	46.3	53.0	50.0	60.0
AEW30	F[C,T]S00	30,000	0.0	0.0	0.0	0.0	5.1	5.1	15.0	15.0
	F[C,T]S03		2.3	3.0	7.8	10.2	18.6	20.8	20.0	25.0
	F[C,T]S05		3.7	4.8	12.6	16.4	26.8	30.1	30.0	30.0
	F[C,T]S06		4.6	6.0	13.5	17.9	32.2	36.4	35.0	40.0
	F[C,T]S08		6.0	8.0	20.5	27.3	41.2	46.8	45.0	50.0
	F[C,T]S10		7.2	9.6	24.5	32.8	48.4	55.1	50.0	60.0
AEW31	F[C,T]S00	30,000	0.0	0.0	0.0	0.0	4.5	4.5	15.0	15.0
	F[C,T]S03		2.3	3.0	7.8	10.2	18.0	20.1	20.0	25.0
	F[C,T]S05		3.7	4.8	12.6	16.4	26.1	29.5	30.0	30.0
	F[C,T]S06		4.6	6.0	13.5	17.9	31.6	35.8	35.0	40.0
	F[C,T]S08		6.0	8.0	20.5	27.3	40.6	46.2	45.0	50.0
	F[C,T]S10		7.2	9.6	24.5	32.8	47.8	54.5	50.0	60.0
AEW36	F[C,T]S00	36,000	0.0	0.0	0.0	0.0	5.1	5.1	15.0	15.0
	F[C,T]S03		2.3	3.0	7.8	10.2	18.6	20.8	20.0	25.0
	F[C,T]S05		3.7	4.8	12.6	16.4	26.8	30.1	30.0	30.0
	F[C,T]S06		4.6	6.0	13.5	17.9	32.2	36.4	35.0	40.0
	F[C,T]S08		6.0	8.0	20.5	27.3	41.2	46.8	45.0	50.0
	F[C,T]S10		7.2	9.6	24.5	32.8	48.4	55.1	50.0	60.0
AEW37	F[C,T]S00	36,000	0.0	0.0	0.0	0.0	4.5	4.5	15.0	15.0
	F[C,T]S03		2.3	3.0	7.8	10.2	18.0	20.1	20.0	25.0
	F[C,T]S05		3.7	4.8	12.6	16.4	26.1	29.5	30.0	30.0
	F[C,T]S06		4.6	6.0	13.5	17.9	31.6	35.8	35.0	40.0
	F[C,T]S08		6.0	8.0	20.5	27.3	40.6	46.2	45.0	50.0
	F[C,T]S10		7.2	9.6	24.5	32.8	47.8	54.5	50.0	60.0

AIR HANDLERS AEW

BLOWER DATA

MODEL	SPEED TAP	MOTOR HP	MOTOR AMPS	MOTOR VOLTAGE	CFM V. EXTERNAL STATIC * †				
					0.10	0.20	0.30	0.40	0.50
AEW18/23/24	T1	1/3	2.8	240	909	864	840	800	782
	T2				723	690	652	631	600
	T3				600	565	539	502	480
	T4				723	690	652	631	600
	T5				909	864	840	800	782
AEW19/25	T1	1/3	2.4		670	645	615	590	570
	T2				800	780	750	730	695
	T3				875	850	820	790	760
	T4				980	955	930	900	875
	T5				1065	1035	1015	995	970
AEW20/26	T1	1/3	2.4		655	630	605	580	560
	T2				785	765	735	715	685
	T3				860	835	805	775	745
	T4				960	935	910	885	860
	T5				1045	1015	995	975	950
AEW30/36	T1	1/2	4.1	1365	1332	1303	1271	1240	
	T2			745	698	668	630	600	
	T3			898	873	853	827	800	
	T4			1174	1132	1106	1078	1047	
	T5			1365	1332	1303	1271	1240	
AEW31/37	T1	1/2	3.6	745	715	675	640	615	
	T2			940	910	875	840	805	
	T3			1100	1070	1025	995	965	
	T4			1220	1180	1155	1115	1085	
	T5			1385	1350	1330	1290	1270	

* Wet coil with filter † For 208 operation multiply by 0.90

AIR HANDLER CHASSIS NOMENCLATURE

AEW	18	F	-001
AEW = 240V X13 Motor Vertical Wall Mount	Nominal tonnage (MBTUH)	<u>Metering device</u> 4 = non-bleed A/C or H/P R410 TXV B = 20% bleed A/C or H/P R22 TXV F = R22 Flo-rater G = R410a Flo-rater X = non-bleed A/C or H/P R22 TXV	Option Code

ELECTRIC HEAT KIT NOMENCLATURE

F	C	S	03
Wall Mount Electric Heat	<u>Interruption</u> C = Circuit Breaker T = Terminal Block	S = 18-37	<u>Heat Strip</u> 03 = 3 KW 05 = 5 KW 08 = 8 KW 10 = 10 KW

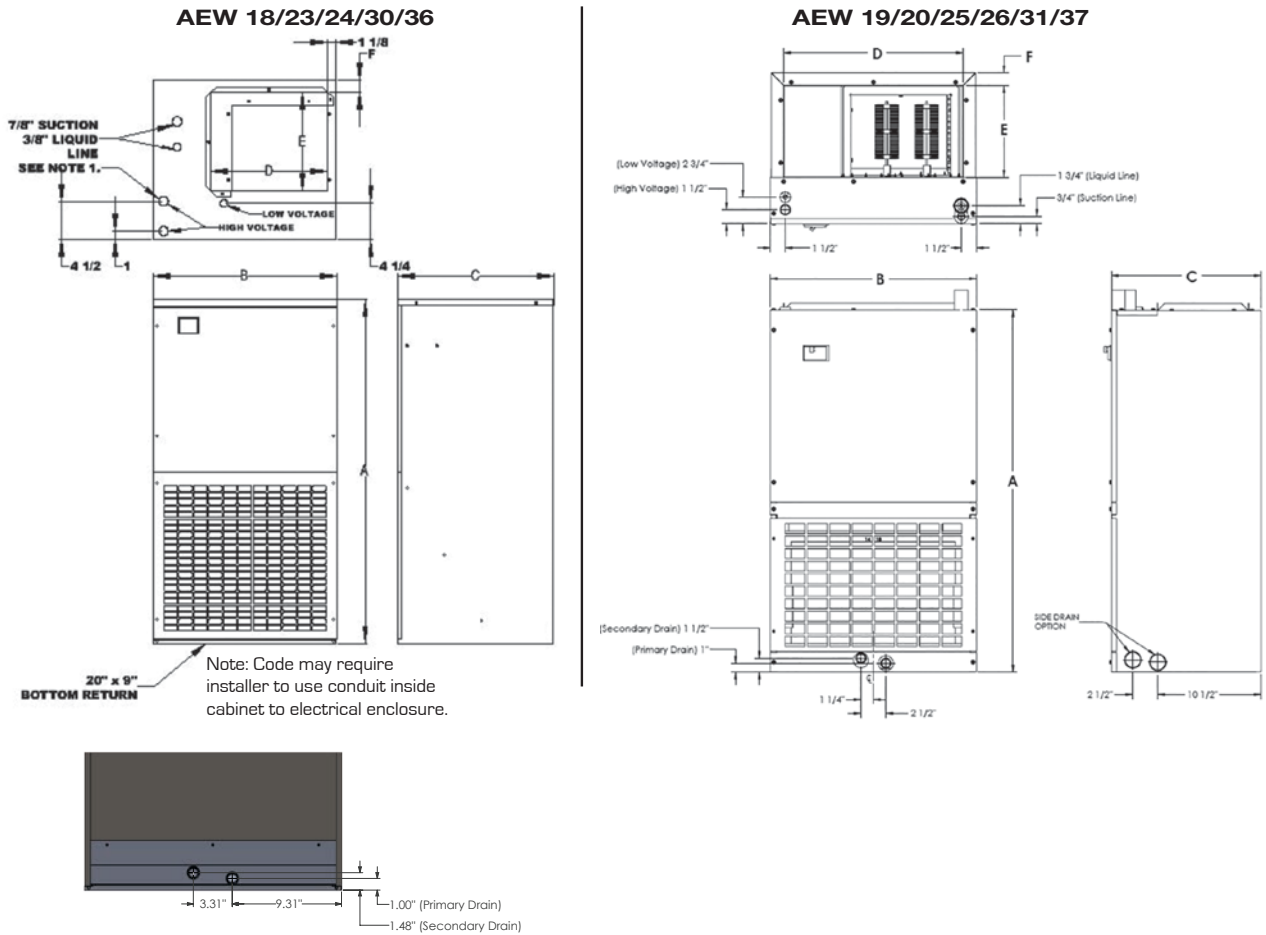
AEW

AIR HANDLERS

DIMENSIONS AND SPECIFICATIONS (In. [mm]) (Fig 1)

MODEL	A	B	C	D	E	F	FILTER SIZE	PISTON SIZE	SHIP WEIGHT (LBS)	SKID QTY
AEW18*	37 1/2 [953]	22 [559]	18 3/4 [476]	14 [356]	10 [254]	3 1/4 [83]	20X20	0.049	90	4
AEW19*	36 [915]	20 1/2 [521]	15 [381]	18 [457]	9 1/4 [235]	1 1/4 [32]	14X18	0.049	80	4
AEW20*	36 [915]	20 1/2 [521]	15 [381]	18 [457]	9 1/4 [235]	1 1/4 [32]	14X18	0.049	80	4
AEW23*	37 1/2 [953]	22 [559]	18 3/4 [476]	14 [356]	10 [254]	3 1/4 [83]	20X20	0.049	90	
AEW24*	37 1/2 [953]	22 [559]	18 3/4 [476]	14 [356]	10 [254]	3 1/4 [83]	20X20	0.049	90	4
AEW25*	36 [915]	20 1/2 [521]	15 [381]	18 [457]	9 1/4 [235]	1 1/4 [32]	14X18	0.055	80	4
AEW26*	36 [915]	20 1/2 [521]	15 [381]	18 [457]	9 1/4 [235]	1 1/4 [32]	14X18	0.055	80	4
AEW30*	40.5 [1029]	22 [559]	18 3/4 [476]	14 [356]	11 1/2 [292]	1 3/8 [35]	20X20	0.059	102	4
AEW31*	36 [915]	24 [610]	21 [533]	21 1/2 [546]	12 [305]	1 1/4 [32]	20X20	0.059	90	4
AEW36*	40.5 [1029]	22 [559]	18 3/4 [476]	14 [356]	11 1/2 [292]	1 3/8 [35]	20X20	0.068	102	4
AEW37*	36 [915]	24 [610]	21 [533]	21 1/2 [546]	12 [305]	1 1/4 [32]	20X20	0.068	90	4

Fig 1

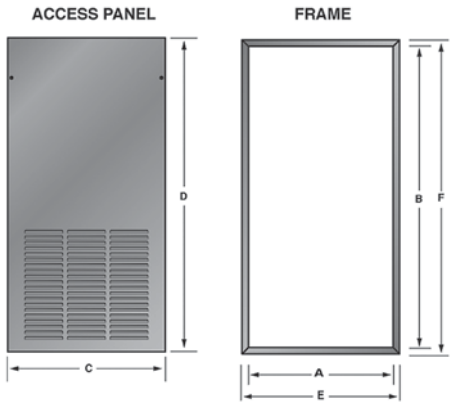


AIR HANDLERS AEW

INSTALLATION CLEARANCES

	OPERATION	SERVICE
TOP	0"	0"
FRONT	0"	30"
SIDES	0"	0"
REAR	0"	0"

Fig 2



DIMENSIONS AND SPECIFICATIONS (Fig 2)

PANEL MODEL	FOR USE WITH	FINISH	OPENING SIZE		PANEL DIMENSION		FRAME DIMENSION		# OF PANELS
			A"	B"	C"	D"	E"	F"	
WAD-7(S/L)	AEW 18/23/24	Embossed	22 1/4	39 1/2	24 1/4	41 1/2	24 1/8	41 3/8	1
WAD-8(S/L)	AEW 30/36	Embossed	22 1/4	42 1/2	24 1/4	44 1/2	24 1/8	44 3/8	1
WAD-18(S/L)	AEW 18/23/24	Smooth	22 1/4	39 1/2	24 1/4	41 1/2	24 1/8	41 3/8	1
WAD-19(S/L)	AEW 30/36	Smooth	22 1/4	42 1/2	24 1/4	44 1/2	24 1/8	44 3/8	1
WAD-20(S/L)	AEW 19/20/25/26	Embossed	20 3/4	38	22 3/4	40	22 5/8	39 7/8	1
WAD-21(S/L)	AEW 31/37	Embossed	24 1/4	38	26 1/4	40	26 1/8	39 7/8	1
WAD-22(S/L)	AEW 19/20/25/26	Smooth	20 3/4	38	22 3/4	40	22 5/8	39 7/8	1
WAD-23(S/L)	AEW 31/37	Smooth	24 1/4	38	26 1/4	40	26 1/8	39 7/8	1

AEW
AIR HANDLERS



Phone: 281.441.6500
 Toll Free: 800.423.9007
 Fax: 281.441.6510
www.aspenmfg.com



PRODUCT DIMENSIONS & SPECIFICATIONS

AFL SERIES MULTI-POSITION HIGH EFFICIENCY HYDRONIC FURNACE

STANDARD FEATURES

APPLICATION VERSATILITY

Upflow, downflow, horizontal left or horizontal right as shipped.

MOTOR

X-13 has 5 speed taps, Variable speed available with special wiring. Motors are pre-programmed at the factory.

CABINET

Sturdy, low profile galvanized steel cabinet with painted front panels. Cabinet fully insulated with 1/2" faced insulation to prevent sweating and mold growth, to encapsulate glass fibers, and to provide excellent R-value. Stick pins ensure insulation remains in place. Units ship with disposable filter in filter rack.

MODULAR HYDRONIC HEAT KITS

Standard Heats kits available with either circuit breakers or terminal blocks and are easily installed in the field using molex plugs or can be ordered factory-installed. Freeze stat is standard, wired into circulating pump control circuit. Controls are accessible from the front for easy service. Electrical connections can be made from the top or left. Fan time delay relay standard for increased efficiency. Heat kits are available with or without circulating pump and check valve. Units are provided with auxiliary relay for remote pump. Schrader ports are standard on water-out manifold, hose bib available as an option.

BLOWER

Direct drive multi-speed blowers circulate air quietly and efficiently and allow for precise air volume selection. 5 Motor speeds can be easily selected via motor terminals. Blowers mounted on rails so they can be easily removed for service.

WARRANTY

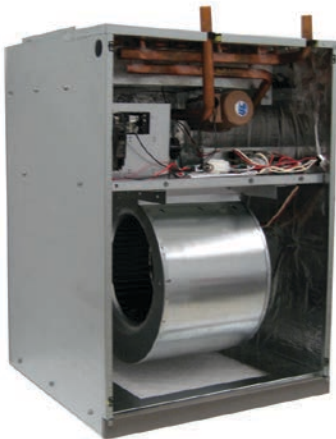
Five-year limited parts warranty.

OPTIONS

See options menu.



Representative image only. Some models may vary in appearance. Due to continuous product improvement, specifications are subject to change without notice.



AIR HANDLERS
AFL

Phone: 281.441.6500
Toll Free: 800.423.9007
Fax: 281.441.6510
www.aspenmfg.com



* For complete warranty details visit www.aspenmfg.com.

Revised 04/05/21. In keeping with its policy of continuous progress and product improvement, Aspen reserves the right to make changes without notice and incurring obligation. © 2021

HEATING AND COOLING PERFORMANCE AND ELECTRICAL DATA

UNIT MODEL	HYDRONIC HEAT KIT MODEL	PERFORMANCE DATA								ELECTRICAL DATA	
		MOTOR SPEED TAP	HEATING COIL		Δ P FT. WATER	HEATING AT 3.5 GPM CAPACITY BTU/HR at 3.5 GPM				MINIMUM CIRCUIT AMPACITY (MCA)	MAX BREAKER OR FUSE SIZE
			ROW	SLAB SIZE		120°	140°	160°	180°		
AFLS	WC2SP	2	2	18 x 12	2.8	17700	24900	32300	39600	6.7	15
		1	2	18 x 12	2.8	20200	28500	36900	45400		
	WC3SP	2	3	18 x 12	2.1	21600	30500	39400	48400		
		1	3	18 x 12	2.1	25000	35300	45800	56300		
	WC2SR	2	2	18 x 12	5.6	19700	26400	34100	41900	8.3	15
		1	2	18 x 12	5.6	21600	30500	39500	48500		
	WC3SR	2	3	18 x 12	4.2	22900	32300	41700	51200		
		1	3	18 x 12	4.2	26900	38000	49100	60300		
AFLM	WC2SP	2	2	18 x 12	2.8	22100	31300	40500	49900	9.2	20
		1	2	18 x 12	2.8	23700	33500	43500	53600		
	WC3SP	2	3	18 x 12	2.1	27700	39100	50700	62400		
		1	3	18 x 12	2.1	29800	42100	54700	67300		
	WC4SP	2	4	18 x 12	1.1	31000	43900	57000	70100	10.8	20
		1	4	18 x 12	1.1	33500	47400	61500	75800		
	WC2SR	2	2	18 x 12	5.6	23900	33800	43700	53800		
		1	2	18 x 12	5.6	25800	36500	47300	58200		
	WC3SR	2	3	18 x 12	4.2	30100	42500	55100	67700		
		1	3	18 x 12	4.2	32800	46300	60000	73700		
	WC4SR	2	4	18 x 12	2.2	34000	48000	62300	76600		
		1	4	18 x 12	2.2	37200	52600	68100	83800		
AFLL	WC2LP	3	2	22 x 14.5	3.6	30200	42600	55300	68000	14.3	30
		2	2	22 x 14.5	3.6	31700	44800	58000	71400		
		1	2	22 x 14.5	3.6	32900	46600	60400	74400		
	WC3LP	3	3	22 x 14.5	1.7	36300	51400	66700	76600		
		2	3	22 x 14.5	1.7	38200	54000	70100	80600		
		1	3	22 x 14.5	1.7	39700	56200	73000	84000		
	WC4LP	3	4	22 x 14.5	1.1	43600	61600	79900	92900		
		2	4	22 x 14.5	1.1	45900	64900	84200	98000		
		1	4	22 x 14.5	1.1	47800	67600	87700	102200		
	WC2LR	3	2	22 x 14.5	7.2	33200	46800	60600	74500	15.8	30
		2	2	22 x 14.5	7.2	35000	49400	64000	78700		
		1	2	22 x 14.5	7.2	36600	51800	67100	82500		
	WC3LR	3	3	22 x 14.5	3.4	40500	57300	74200	84400		
		2	3	22 x 14.5	3.4	42900	60700	78600	89500		
		1	3	22 x 14.5	3.4	45000	63600	82500	94000		
	WC4LR	3	4	22 x 14.5	2.2	49000	69300	89700	103600		
		2	4	22 x 14.5	2.2	52200	73800	95600	110400		
		1	4	22 x 14.5	2.2	55000	77700	100800	116300		



X-13 BLOWER DATA

MODEL	MOTOR SPEED	CFM V. EXTERNAL STATIC*				
		0.10	0.20	0.30	0.40	0.50
AFLS+ WC2SR WC3SR	5	900	855	800	740	675
	4	670	650	615	600	550
	3	460	445	420	400	385
	2	900	855	800	740	675
	1	350	335	315	300	280
AFLM+ WC2SR WC3SR WC4SR	5	1200	1130	1085	1030	985
	4	1140	1090	1030	975	910
	3	905	870	835	800	740
	2	760	730	695	650	605
	1	475	450	425	400	375
AFL+ WC2LR WC3LR WC4LR	5	1875	1800	1730	1690	1625
	4	1705	1660	1600	1530	1480
	3	1495	1460	1430	1400	1365
	2	1340	1295	1255	1200	1140
	1	910	875	840	800	745

* Dry coil with filter in place

PHYSICAL DATA

MODEL		AFLS	AFLM	AFL
TRANSFORMER		40 VA, CLASS 2. 120 VOLT PRIMARY, 24 VOLT SECONDARY		
VOLTAGE		120 VOLT - 60HZ		
FILTER SIZE		16x20x1	16x20x1	20x20x1
BLOWER DATA	WHEEL (DIA." x WIDTH")	9 x 6	10 x 8	12 x 9
	MOTOR HP	1/3	1/2	1
	MOTOR F.L.A.	4.8	6.8	10.9
	FACTORY SPEED TAP	TAP 1	TAP 1	TAP 1
NOMINAL CFM RANGE		800-300	1200-400	1800-800
PUMP DATA 006 STANDARD	PUMP VOLTAGE	115		
	PUMP HP	1/40		
	PUMP AMPS	.52		
PUMP DATA 009 SPECIAL	PUMP VOLTAGE	115		
	PUMP HP	1/8		
	PUMP AMPS	1.8		

AIR HANDLER CHASSIS NOMENCLATURE

AFL	S	-001
AFL = 120V X13 Motor Low Boy Hydronic Furnace	S = 18 & 24 M = 30 & 36 L = 42, 48 & 60	Option Code

HYDRONIC HEAT KIT NOMENCLATURE

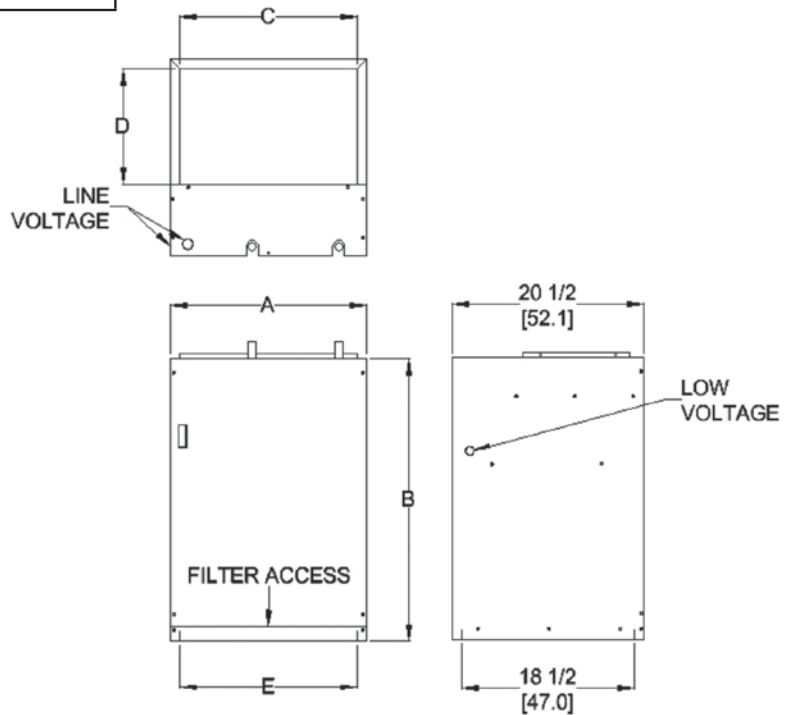
W	C	2	S	P
Multi-position Hydronic Heat	<u>Interruption</u> C = Circuit Breaker T = Terminal Block	# of rows 2 = 2 rows 3 = 3 rows 4 = 4rows	S = 18, 24, 30, 36 L = 42, 48, 60	P = with 006 pump R = with 009 pump 8 = with 008 High Pressure Drop Pump L = less pump

DIMENSIONS AND SPECIFICATIONS

MODEL	WIDTH A	HEIGHT B	DUCT OPENING		BOTTOM OPENING	FILTER SIZE	SHIP WEIGHT (LBS)	SKID QTY
			C	D	E			
AFLS	21	30	18-3/4	12	18-1/2	16 x 20	83	8
AFLM	21	30	18-3/4	12	18-1/2	16 x 20	85	6
AFL	24-1/2	33	22-1/4	14-1/2	22-1/4	20 x 20	110	6

INSTALLATION CLEARANCES

	OPERATION	SERVICE
TOP	0"	0"
FRONT	0"	30"
SIDES	0"	0"
REAR	0"	0"



AFL
AIR HANDLERS



Phone: 281.441.6500
 Toll Free: 800.423.9007
 Fax: 281.441.6510
www.aspenmfg.com



PRODUCT DIMENSIONS & SPECIFICATIONS

AFM SERIES HIGH EFFICIENCY MULTI-POSITION HYDRONIC HEAT AIR HANDLERS

STANDARD FEATURES

APPLICATION VERSATILITY

Upflow or horizontal right as shipped (field-convertible for down-flow or horizontal left applications). Can be AHRI certified with most brands of air conditioners or heat pumps. ETL listed for use with either R22 or R410a when a proper metering device is used.

MOTOR

Constant torque ECM speeds and torques are controlled by software embedded in the motor to maintain constant torque. Motors are pre-programmed at the factory.

LOW LEAKAGE CABINET

Less than 2% air leakage from cabinet when tested in accordance with ASHRAE standard 193. Unit must be installed according to Airmark installation instructions. Sturdy, fully insulated galvanized steel cabinet with knockout for duct return.

BLOWER

Direct drive blowers circulate air quietly and efficiently. Motor speeds and torques programmed in the motor. Blowers mounted on rails so they can be easily removed for service.

ELECTRONIC CONTROL BOARD

An electronic board controls the functioning of the system reducing moving parts. The board provides for various hot water supply source connections and the blower time delay to maximize heat/cool extraction. As an enhanced feature the pump circulates hot water every 6 hours to prevent coil freeze during off cycle.

MODULAR HYDRONIC HEAT KITS

Heat kits available with either circuit breakers or terminal blocks. Available in 2, 3 & 4 row. Heat kits are easily installed in the field using Molex plugs or can be ordered factory-installed. Freeze stat is standard, wired into circulating pump control circuit. Controls are accessible from the front for easy service. Electrical connections can be made from the top or left. Disconnect does not protrude through the wall panel. Fan time delay relay standard for increased efficiency. Heat kits are available with or without circulating pump and check valve. Units are provided with auxiliary relay for remote pump. Schrader ports are standard on water-out manifold, hose bib available as an option.

DX COIL

High efficiency rifled copper tubes/enhanced aluminum fins provide maximum heat transfer. All coils immersion tested at 500 psi then nitrogen pressurized and factory sealed for maximum reliability. Liquid-line Schrader allows pre-installation pressure testing. Available with either orifice or TXV metering device. Field-installable bolt-on TXVs are also available. Rugged, UV safe, GLP drain pan holds minimal condensate while eliminating the possibility of corrosion. Galvanized metal drain pan with bottom primary and secondary drain connections or alternate right side primary. All connections 3/4" FPT. Access door allows for coil cleaning.

WARRANTY

Five-year limited parts warranty.

OPTIONS

See options menu.



Representative image only. Some models may vary in appearance. Due to continuous product improvement, specifications are subject to change without notice.

AIR HANDLERS AFM

Phone: 281.441.6500
Toll Free: 800.423.9007
Fax: 281.441.6510
www.aspenmfg.com



* For complete warranty details visit www.aspenmfg.com.

Revised 12/02/20. In keeping with its policy of continuous progress and product improvement, Aspen reserves the right to make changes without notice and incurring obligation. © 2020

HEATING AND COOLING PERFORMANCE AND ELECTRICAL DATA

Model	PERFORMANCE DATA								ELECTRICAL DATA	
	Nominal Cooling	Hydronic Heat Kit Model	Rows	Coil P.D.	Heating Capacity BTU/HR Standard pump at 3.5 GPM Nominal Airflow				MINIMUM CIRCUIT AMPACITY (MCA)	MAX BREAKER OR FUSE SIZE
					3.5 GPM	Entering Water Temp				
				120		140	160	180		
AFM18/19	18,000	W*2SP	2	2.7	17770	24900	32250	39600	6.6	15
		W*3SP	3	2.1	21600	30500	39450	48400		
AFM24/25	24,000	W*2SP	2	2.7	20200	28500	36950	45400	6.6	15
		W*3SP	3	2.1	25000	35300	45800	56300		
AFM30/31	30,000	W*2SP	2	2.5	22100	31300	40645	49990	9.1	20
		W*3SP	3	1.9	27700	39100	50750	62400		
		W*4SP	4	1.1	31000	43900	57000	70100		
AFM36/37	36,000	W*2SP	2	2.5	23700	33500	43550	53600	9.1	20
		W*3SP	3	1.9	29800	42100	54700	67300		
		W*4SP	4	1.1	33500	47400	61600	75800		
AFM42/43	42,000	W*2LP	2	2.5	30200	42600	55300	68000	14.3	25
		W*3LP	3	1.9	36300	51400	65000	78600		
		W*4LP	4	1.1	43600	61600	77250	92900		
AFM48/49	48,000	W*2LP	2	2.1	31700	44800	58100	71400	14.3	25
		W*3LP	3	1.6	38200	54000	67300	80600		
		W*4LP	4	0.9	45900	64900	81450	98000		
AFM60/61/62	60,000	W*2LP	2	1.7	32900	46600	60500	74400	14.3	25
		W*3LP	3	1.3	39700	56200	70100	84000		
		W*4LP	4	0.8	47800	67600	84900	102200		
AFM23	24,000	W*2SP	2	2.7	20200	28500	36950	45400	6.6	15
		W*3SP	3	2.1	25000	35300	45800	56300		
AFM35	36,000	W*2MP	2	2.5	27040	38215	49610	61005	9.1	20
		W*3MP	3	1.9	33185	46900	59540	72180		
		W*4MP	4	1.1	38750	54805	69815	84820		
AFM47	48,000	W*3XP	3	1.3	38195	54020	65095	76170	14.3	25
		W*4XP	4	0.8	48200	68125	83380	98640		
Model	PERFORMANCE DATA								ELECTRICAL DATA	
	Nominal Cooling	Hydronic Heat Kit Model	Rows	Coil P.D.	Heating Capacity BTU/HR High Pressure Drop pump at 5 GPM Nominal Airflow				MINIMUM CIRCUIT AMPACITY (MCA)	MAX BREAKER OR FUSE SIZE
					5 GPM	Entering Water Temp				
				120		140	160	180		
AFM18/19	18,000	W*2S8	2	3.9	18700	26400	34150	41900	6.6	15
		W*3S8	3	2.9	22900	32300	41750	51200		
AFM24/25	24,000	W*2S8	2	3.9	22600	31600	40550	49500	6.6	15
		W*3S8	3	2.9	26900	38000	49150	60300		
AFM30/31	30,000	W*2S8	2	3.5	23900	33800	43800	53800	9.1	20
		W*3S8	3	2.6	30100	42500	55100	67700		
		W*4S8	4	1.5	34000	48000	62300	76600		
AFM36/37	36,000	W*2S8	2	3.5	25800	36500	47350	58200	9.1	20
		W*3S8	3	2.6	32800	46300	60000	73700		
		W*4S8	4	1.5	37200	52600	68200	83800		
AFM42/43	42,000	W*2L8	2	3.5	33200	46800	60650	74500	14.3	25
		W*3L8	3	2.6	40500	57300	70850	84400		
		W*4L8	4	1.5	49000	69300	86450	103600		
AFM48/49	48,000	W*2L8	2	3	34900	49300	63900	78500	14.3	25
		W*3L8	3	2.2	42750	60450	74825	89200		
		W*4L8	4	1.3	52000	73500	91725	109950		
AFM60/61/62	60,000	W*2L8	2	2.5	36600	51800	67150	82500	14.3	25
		W*3L8	3	1.9	45000	63600	78800	94000		
		W*4L8	4	1.1	55000	77700	97000	116300		
AFM23	24,000	W*2S8	2	3.9	22600	31600	40550	49500	6.6	15
		W*3S8	3	2.9	26900	38000	49150	60300		
AFM35	36,000	W*2M8	2	3.5	29625	41875	54295	66715	9.1	15
		W*3M8	3	2.6	36870	52095	65800	79505		
		W*4M8	4	1.5	43535	61545	78050	94560		
AFM47	48,000	W*3X8	3	1.9	43295	61300	73190	85075	14.3	25
		W*4X8	4	1.1	55360	78230	95070	111900		

AFM
AIR HANDLERS

BLOWER DATA

MODEL	SPEED TAP	MOTOR HP	MOTOR AMPS	MOTOR VOLTAGE	CFM V. EXTERNAL STATIC *				
					0.10	0.20	0.30	0.40	0.50
AFM 18/19/24/25	TAP 5	1/3	4.8	120	900	853	797	738	673
	TAP 4				670	646	613	592	553
	TAP 3				500	476	452	421	400
	TAP 2				400	381	360	339	312
	TAP 1				900	853	797	738	673
AFM23	TAP 5	1/5	4.8		895	860	815	770	705
	TAP 4				825	795	770	750	700
	TAP 3				770	735	705	685	665
	TAP 2				705	675	655	615	595
	TAP 1				655	615	605	580	540
AFM 30/31/36/37	TAP 5	1/2	6.8		1150	1087	1030	975	910
	TAP 4				1080	1048	1010	960	895
	TAP 3				900	862	825	796	745
	TAP 2				700	663	632	600	552
	TAP 1				500	473	449	421	395
AFM35	TAP 5	1/2	5.4	1245	1190	1130	1085	1020	
	TAP 4			1170	1130	1085	1045	1000	
	TAP 3			935	910	865	840	805	
	TAP 2			815	785	745	715	685	
	TAP 1			685	655	605	580	520	
AFM 42/43/48/60/61/62	TAP 5	1	10.9	1850	1806	1752	1700	1652	
	TAP 4			1704	1656	1600	1532	1479	
	TAP 3			1494	1461	1426	1400	1364	
	TAP 2			1350	1310	1272	1229	1175	
	TAP 1			676	652	621	600	559	
AFM47	TAP 5	1	10.9	1950	1880	1845	1805	1780	
	TAP 4			1765	1740	1725	1685	1660	
	TAP 3			1500	1480	1450	1415	1385	
	TAP 2			1245	1205	1185	1150	1105	
	TAP 1			1010	900	825	765	705	

*Dry coil

AIR HANDLER CHASSIS NOMENCLATURE

AFM	18	G	-001
AFM = 120V Constant torque ECM Multi-Position Air Handler	Nominal tonnage (MBTUH)	<u>Metering device</u> 4 = non-bleed A/C or H/P R410 TXV B = 20% bleed A/C or H/P R22 TXV F = Flo-rater G = R410a Flo-rater X = non-bleed A/C or H/P R22 TXV	Option Code

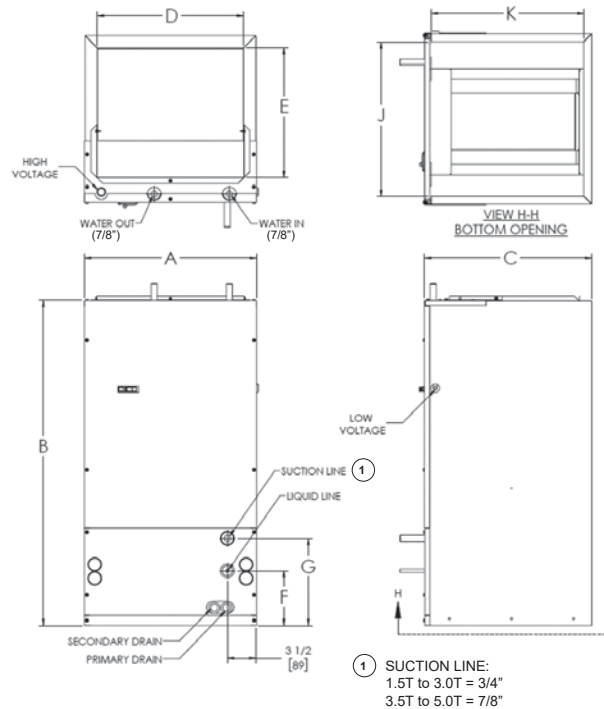
HYDRONIC HEAT KIT NOMENCLATURE

W	C	2	S	P
Water heat (hydronic)	<u>Interruption</u> C = Circuit Breaker T = Terminal Block	<u>Row</u> 2 3 4	S = ABM18,19,23,24,25,30,31,36,37 M = ABM35 L = ABM42,43,48,49,60,61,62 X = ABM47	L = Less Pump and Check Valve P = with Standard Pump and Check Valve R = with 009 High Pressure Drop Pump 8 = with 008 High Pressure Drop Pump

DIMENSIONS AND SPECIFICATIONS (In. [mm]) - Figure 1

MODEL	A	B	C	D	E	F	G	J	K	FILTER SIZE	PISTON SIZE	SHIP WEIGHT (LBS)	SKID QTY
AFM18+W*	21 [533]	49-1/4 [1251]	20-1/2 [521]	18-3/4 [476]	12 [305]	7-1/4 [184]	10-1/4 [260]	18-1/2 [470]	18-1/2 [470]	16X20	0.055	99	4
AFM19/24/25+W*	21 [533]	49-1/4 [1251]	20-1/2 [521]	18-3/4 [476]	12 [305]	8-1/4 [209]	12-1/4 [311]	18-1/2 [470]	18-1/2 [470]	16X20	0.059	100	4
AFM30+W*	21 [533]	49-1/4 [1251]	20-1/2 [521]	18-3/4 [476]	12 [305]	8-1/4 [209]	14-1/4 [362]	18-1/2 [470]	18-1/2 [470]	16X20	0.068	118	4
AFM36+W*	21 [533]	49-1/4 [1251]	20-1/2 [521]	18-3/4 [476]	12 [305]	10-1/4 [260]	16-1/4 [412]	18-1/2 [470]	18-1/2 [470]	16X20	0.068	118	4
AFM31/37+W*	21 [533]	49-1/4 [1251]	20-1/2 [521]	18-3/4 [476]	12 [305]	10-1/4 [260]	16-1/4 [412]	18-1/2 [470]	18-1/2 [470]	16X20	0.074	147	4
AFM42+W*	24-1/2 [622]	57 [1448]	20-1/2 [521]	22-1/4 [565]	14-3/4 [375]	11 [279]	16 [406]	22 [559]	18-1/2 [470]	20X20	0.080	153	4
AFM48+W*	24-1/2 [622]	57 [1448]	20-1/2 [521]	22-1/4 [565]	14-3/4 [375]	13 [330]	18 [457]	22 [559]	18-1/2 [470]	20X20	0.084	180	4
AFM43/49/60/62+W*	24-1/2 [622]	57 [1448]	20-1/2 [521]	22-1/4 [565]	14-3/4 [375]	13 [330]	18 [457]	22 [559]	18-1/2 [470]	20X20	0.084	180	4
AFM61+W*	24-1/2 [622]	57 [1448]	20-1/2 [521]	22-1/4 [565]	14-3/4 [375]	15 [381]	20 [508]	22 [559]	18-1/2 [470]	20X20	0.092	200	4
AFM23+W*	21 [533]	40 [1016]	20-1/2 [521]	18 [457]	16 [406]	6-3/4 [171]	10-3/4 [273]	18-1/2 [470]	18-1/2 [470]	16X20	0.059	100	4
AFM35+W*	21 [533]	42 [1067]	23 [584]	18 [457]	19 [483]	8-3/4 [222]	12-3/4 [324]	18 [457]	20 [533]	20X20	0.068	170	4
AFM47+W*	21 [533]	48 [1219]	28 [711]	18 [457]	24 [610]	11-3/4 [298]	15-3/4 [400]	18 [457]	25 [660]	20X25	0.084	200	4

Figure 1



AIR HANDLERS

AFM



Phone: 281.441.6500
 Toll Free: 800.423.9007
 Fax: 281.441.6510
www.aspenmfg.com



PRODUCT DIMENSIONS & SPECIFICATIONS

AFW SERIES WALL MOUNT HYDRONIC HEAT AIR HANDLERS

STANDARD FEATURES

APPLICATION VERSATILITY

Front or bottom return air. Offset hanging brackets attach to unit and wall to allow hanging inside closet. Can be AHRI matched with most brands of air conditioners or heat pumps. ETL listed for use with either R22 or R410a when a proper metering device is used.

MOTOR

Pre-programmed, 5-speed, ECM motors that ensure higher efficiency and increased energy savings by delivering constant torque during operation.

LOW LEAKAGE CABINET

Less than 2% air leakage from cabinet when tested in accordance with ASHRAE standard 193. Unit must be installed according to Aspen installation instructions. Sturdy, fully insulated galvanized steel cabinet; stick pins ensure 1/2" insulation remains in place. Unit ships with disposable filter.

MODULAR HYDRONIC HEAT KITS

Heat kits available with either circuit breakers or terminal blocks. Available in 2, 3 & 4 row, providing 16,000 to 59,000 BTU's of heat. Heat kits are easily installed in the field using molex plugs or can be ordered factory-installed. Freeze stat is standard, wired into circulating pump control circuit. Controls are accessible from the front for easy service. Electrical connections can be made from the top or left. Disconnect does not protrude through the wall panel. Fan time delay relay standard for increased efficiency. Heat kits are available with or without circulating pump and check valve. Units are provided with auxiliary relay for remote pump. Schrader ports are standard on water-out manifold, hose bib available as an option. Totally lead free constructed coil. Suitable for potable applications.

BLOWER

Direct drive multi-speed blowers circulate air quietly and efficiently. Motor speeds can be easily selected via motor terminals. Swing mounted blowers can be easily removed for service.

ELECTRONIC CONTROL BOARD

An electronic board controls the functioning of the system reducing moving parts. The board provides for various hot water supply source connections and the blower time delay to maximize heat/cool extraction. As an enhanced feature the pump circulates hot water every 6 hours to prevent coil freeze during off cycle.

DX COIL

High efficiency rifled copper tubes/enhanced aluminum fins provide maximum heat transfer. All coils immersion tested at 500 psi then nitrogen pressurized and factory sealed for maximum reliability. Liquid-line Schrader allows pre-installation pressure testing. Available with either check style flowrater or TXV metering device. Field-installable TXVs are also available. Galvanized metal drain pan with bottom primary and secondary drain connections or alternate right side primary. All connections 3/4" FPT. Access door allows for coil cleaning.

WARRANTY

Five-year limited parts warranty.

OPTIONS

See options menu.



Representative image only. Some models may vary in appearance. Due to continuous product improvement, specifications are subject to change without notice.



AIR HANDLERS AFW

Phone: 281.441.6500
Toll Free: 800.423.9007
Fax: 281.441.6510
www.aspenmfg.com



* For complete warranty details visit www.aspenmfg.com.

HEATING AND COOLING PERFORMANCE AND ELECTRICAL DATA

UNIT MODEL	PERFORMANCE DATA							ELECTRICAL DATA	
	HYDRONIC HEAT KIT MODEL	NOMINAL COOLING (BTUS)	HEATING COIL	Hydronic Coil Delta P.	HEATING CAPACITY [BTU] @ 3.5 GPM			MINIMUM CIRCUIT AMPACITY (MCA)	MAX BREAKER OR FUSE SIZE
					ENTERING WATER TEMP				
ROW	Ft. Water	120°	140°	180°					
AFW 18	U[C,T]2S(P,L)	18,000	2	3	18,800	26,600	42,300	6.6	15
	U[C,T]3S(P,L)		3	1.8	21,600	30,400	48,500		
AFW 24	U[C,T]2S(P,L)	24,000	2	3	21,000	30,100	48,000	6.6	15
	U[C,T]3S(P,L)		3	1.8	24,700	34,800	55,600		
AFW 30	U[C,T]2S(P,L)	30,000	2	3	23,200	32,800	52,500	9.1	15
	U[C,T]3S(P,L)		3	1.8	27,000	38,200	61,100		
	U[C,T]4S(P,L)		4	1.1	28,300	40,100	64,000		
AFW 36	U[C,T]2S(P,L)	36,000	2	3	24,700	35,000	56,000	9.1	15
	U[C,T]3S(P,L)		3	1.8	29,900	41,000	65,500		
	U[C,T]4S(P,L)		4	1.1	30,400	43,000	68,800		

BLOWER DATA

MODEL	SPEED TAP	MOTOR HP	MOTOR AMPS	MOTOR VOLTAGE	CFM V. EXTERNAL STATIC *				
					0.10	0.20	0.30	0.40	0.50
AFW18 & AFW 24	TAP 5	1/3	4.8	120	900	851	800	742	682
	TAP 4				652	630	591	556	530
	TAP 3				500	476	452	421	400
	TAP 2				400	381	360	339	312
	TAP 1				900	851	800	742	682
AFW30 & AFW36	TAP 5	1/2	6.8		1150	1087	1030	975	910
	TAP 4				1080	1048	1010	960	895
	TAP 3				900	862	825	796	745
	TAP 2				700	663	632	600	552
	TAP 1				500	473	449	421	395

*Dry coil with filter

AIR HANDLER CHASSIS NOMENCLATURE

AFW	18	G	-001
AFW = 115V X13 Motor Vertical Wall Mount	Nominal tonnage (MBTUH)	Metering device 4 = non-bleed A/C or H/P R410 TXV B = 20% bleed A/C or H/P R22 TXV F = Flo-rater G = R410a Flo-rater X = non-bleed A/C or H/P R22 TXV	Option Code

HYDRONIC HEAT KIT NOMENCLATURE

U	C	2	S	P
Wall Mount Hydronic Heat	Interruption C = Circuit Breaker T = Terminal Block	# of rows 2 = 2 rows 3 = 3 rows 4 = 4 rows	S = 18 - 36	P = Taco 006 Bronze Pump 8 = Taco 008 Bronze Pump R = with 009 Pump (kit required) L = Less Pump

AFW
AIR HANDLERS

DIMENSIONS AND SPECIFICATIONS (In. [mm]) (Fig 1)

MODEL	HEIGHT A	WIDTH B	DEPTH C	D	E	FILTER SIZE	PISTON SIZE	SHIP WEIGHT (LBS)	SKID QTY
AFW18*	44-1/2 [113]	22 [56]	18 3/4 [48]	17 5/8 [45]	10-1/2 [27]	20X20	0.055	110	4
AFW24*	44-1/2 [113]	22 [56]	18 3/4 [48]	17 5/8 [45]	10-1/2 [27]	20X20	0.059	110	4
AFW30*	44-1/2 [113]	22 [56]	18 3/4 [48]	17 5/8 [45]	10-1/2 [27]	20X20	0.068	118	4
AFW36*	44-1/2 [113]	22 [56]	18 3/4 [48]	17 5/8 [45]	10-1/2 [27]	20X20	0.074	118	4

Fig 1

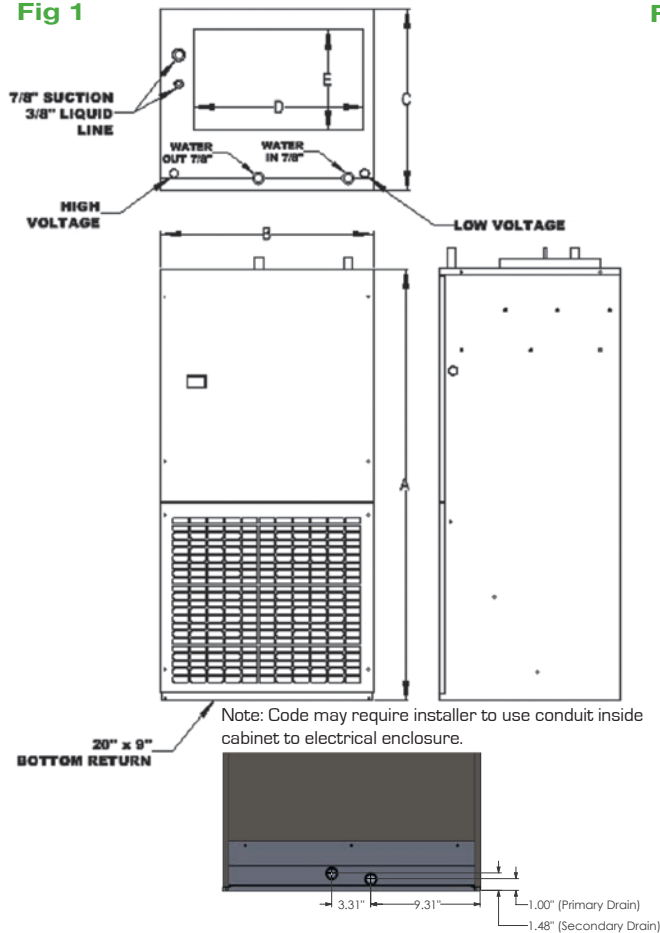
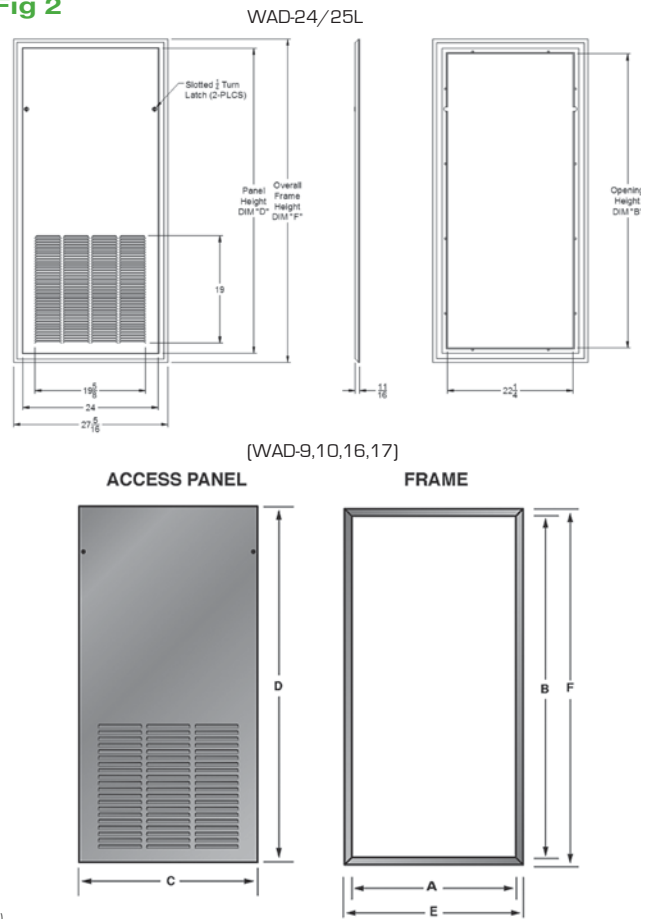


Fig 2



DIMENSIONS AND SPECIFICATIONS (Fig 2)

PANEL MODEL	FOR USE WITH	FINISH	OPENING SIZE		PANEL DIMENSION		FRAME DIMENSION		# OF PANELS
			A"	B"	C"	D"	E"	F"	
WAD-9(S/L)	AFW	Embossed	22 1/4	46	24 1/4	48	24 1/8	47 7/8	1
WAD-10(S/L)	AFW	Embossed	22 1/4	52	24 1/4	54	24 1/8	53 7/8	1
WAD-16(S/L)	AFW	Smooth	22 1/4	52	24 1/4	54	24 1/8	53 7/8	1
WAD-17(S/L)	AFW	Smooth	22 1/4	46	24 1/4	48	24 1/8	47 7/8	1
WAD-24L	AFW +6"	Smooth	22 1/4	52	24	53 15/16	27 5/16	57 1/4	1
WAD-25L	AFW	Smooth	22 1/4	46	24	47 15/16	27 5/16	51 1/4	1



Phone: 281.441.6500
 Toll Free: 800.423.9007
 Fax: 281.441.6510
www.aspenmfg.com



PRODUCT DIMENSIONS & SPECIFICATIONS

CEILING AND WALL ACCESS DOORS

STANDARD FEATURES

VERSATILITY

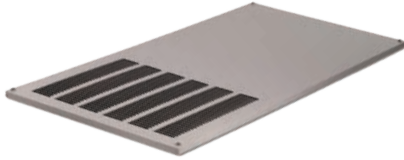
Equipped with hidden frame feature. Fastens to the outside wall surface and does not have to perfectly match the hole opening. Frame screws are not visible after installation. Available in either solid (S) or louvered (L) style.

MATERIALS

Galvanized steel construction with powder paint finish. Can be latex painted in the field.

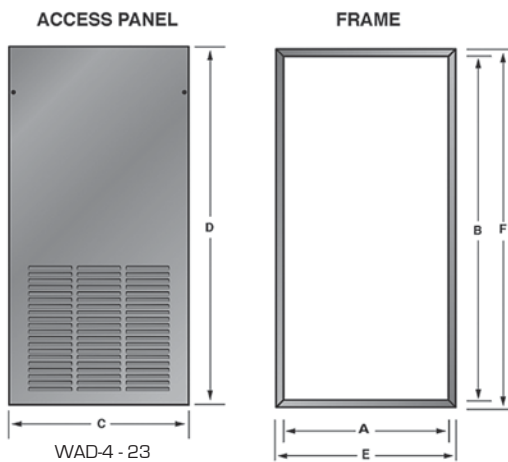
WARRANTY

Five-year limited parts warranty.

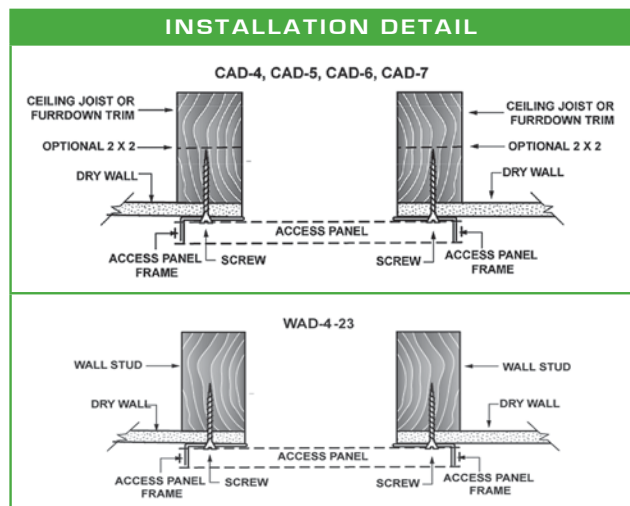


DIMENSIONS AND SPECIFICATIONS

PANEL MODEL	FOR USE WITH	FINISH	OPENING SIZE		PANEL DIMENSION		FRAME DIMENSION		# OF PANELS
			A"	B"	C"	D"	E"	F"	
CAD-4(S/L)	FCB	Embossed	22 3/4	58	24 3/4	60	24 5/8	59 7/8	2
CAD-5(S/L)	FFC/FFD 18/24	Embossed	23 7/8	47 5/8	25 7/8	49 5/8	25 3/4	49 1/2	2
CAD-5W(S/L)	FFW 18/24	Embossed	23 7/8	57 5/8	25 7/8	59 5/8	25 3/4	59 1/2	2
CAD-6(S/L)	FCW	Embossed	22 3/4	64	24 3/4	66	24 5/8	65 7/8	2
CAD-7(S/L)	FFC/FFD 30/36 FFW 30/36	Embossed	23 7/8	61 7/8	25 7/8	63 7/8	25 3/4	63 3/4	2
WAD-4(S/L)	FTB	Embossed	20 3/4	39 1/2	22 3/4	41 1/2	22 5/8	41 3/8	1
WAD-5(S/L)	FWB	Embossed	20 3/4	44	22 3/4	46	22 5/8	45 7/8	1
WAD-6(S/L)	FWB-013	Embossed	20 3/4	50	22 3/4	52	22 5/8	51 7/8	1
WAD-7(S/L)	AAW/AEW 18/24	Embossed	22 1/4	39 1/2	24 1/4	41 1/2	24 1/8	41 3/8	1
WAD-8(S/L)	AAW/AEW 30/36	Embossed	22 1/4	42 1/2	24 1/4	44 1/2	24 1/8	44 3/8	1
WAD-9(S/L)	ABW/AFW	Embossed	22 1/4	46	24 1/4	48	24 1/8	47 7/8	1
WAD-10(S/L)	ABW/AFW +6"	Embossed	22 1/4	52	24 1/4	54	24 1/8	53 7/8	1
WAD-16(S/L)	ABW/AFW +6"	Smooth	22 1/4	52	24 1/4	54	24 1/8	53 7/8	1
WAD-17(S/L)	ABW/AFW	Smooth	22 1/4	46	24 1/4	48	24 1/8	47 7/8	1
WAD-18(S/L)	AAW/AEW 18/24	Smooth	22 1/4	39 1/2	24 1/4	41 1/2	24 1/8	41 3/8	1
WAD-19(S/L)	AAW/AEW 30/36	Smooth	22 1/4	42 1/2	24 1/4	44 1/2	24 1/8	44 3/8	1
WAD-20(S/L)	AAW/AEW 19/20/25/26	Embossed	20 3/4	38	22 3/4	40	22 5/8	39 7/8	1
WAD-21(S/L)	AAW/AEW 31/37	Embossed	24 1/4	38	26 1/4	40	26 1/8	39 7/8	1
WAD-22(S/L)	AAW/AEW 19/20/25/26	Smooth	20 3/4	38	22 3/4	40	22 5/8	39 7/8	1
WAD-23(S/L)	AAW/AEW 31/37	Smooth	24 1/4	38	26 1/4	40	26 1/8	39 7/8	1
WAD-24L	ABW/AFW +6"	Smooth	21 1/4	52	24	53 15/16	27 5/16	57 1/4	1
WAD-25L	ABW/AFW	Smooth	21 1/4	46	24	47 15/16	27 5/16	51 1/4	1



#123156 Revised 05/13/21. In keeping with its policy of continuous progress and product improvement, Aspen reserves the right to make changes without notice and incurring obligation. © 2021

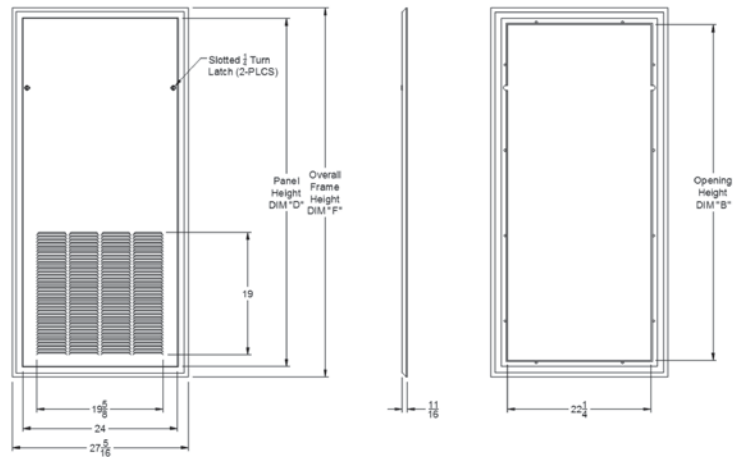


CAD WAD
MAD
AIR HANDLERS

Architectural Wall Access Door (WAD-24/25L)

Features:

- Extruded aluminum frame
- Steel Panel
- 1/4 Turn latches
- Closed Cell Foam Gasket
- Pristine White Powder Coat Finish
- Lift-off panel

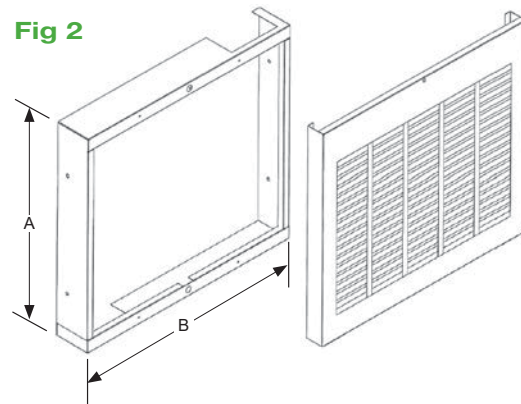
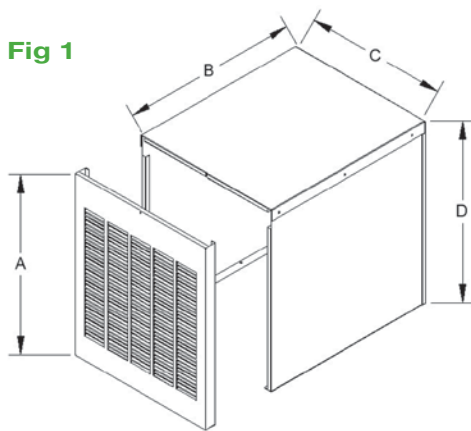


Cabinet Dimensions and Specifications (Fig 1)

PANEL MODEL	FOR USE WITH	A"	B"	C"	D"
MAD-01(L/S)	AAN/AEN	18	23-1/2	19-3/4	18
MAD-02(L/S)	AAN/AEN	24			24
MAD-03(L/S)	AAN/AEN	36			36

Door with Frame Kit Dimensions (Fig 2)

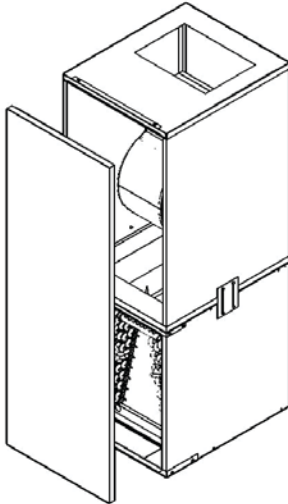
PANEL MODEL	FOR USE WITH	A"	B"
MAD-04(L)	AAN/AEN	24	19-3/4





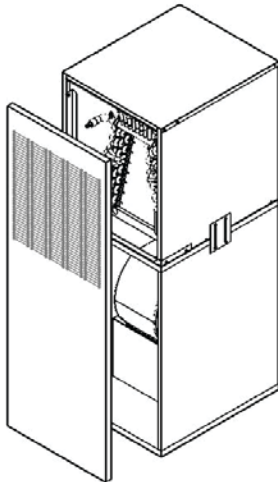
PRODUCT DIMENSIONS & SPECIFICATIONS

AEU/AED UPFLOW/DOWNFLOW CONVERTIBLE MANUFACTURED HOME ELECTRIC FURNACE KIT



AEU - Upflow Configuration

Representative images only. Some models may vary in appearance. Due to continuous product improvement, specifications are subject to change without notice.
Note: coil not included.



AED-001 Downflow - Front Return Configuration
(top and front return also available)

FEATURES AND BENEFITS

APPLICATION VERSATILITY

Designed for the manufactured home market with flexibility in mind. One-piece air handler with the ability to be factory built as upflow (solid door) or downflow (louvered door) air handler. Can also be field configured to opposite configuration with no additional parts or kits. 2 - 5 tons of cooling or heating airflow with a range of electric heat kits.

MOTOR

Constant torque ECM speeds and torques are controlled by software embedded in the motor to maintain constant torque. Motors are pre-programmed at the factory. Direct drive blowers circulate air quietly and efficiently. Motor speeds and torques programmed in the motor. Blowers mounted on rails so they can be easily removed for service.

CABINET

Sturdy, galvanized steel cabinet with painted front panels. Cabinet fully insulated with 1/2" micro mat non-hygroscopic insulation to prevent sweating and mold growth, to encapsulate glass fibers, and to provide excellent R-value. Stick pins ensure insulation remains in place.

MODULAR ELECTRIC HEAT KITS

Heat kits available with either circuit breakers or terminal blocks. Available from 3 to 20 KW. Models with electric heat include sequencers and temperature limit switches for safe, efficient operation. Modules are easily installed in the field using molex plugs or can be ordered factory-installed. Controls are accessible from the front for easy service. Disconnect does not protrude through the wall panel.

ELECTRONIC CIRCUIT BOARD

Electronic circuit board provides 30 secs ON/OFF blower time delay extracting more heat/cool from the coil. Automotive pull-style fuse integrated into board.

WARRANTY

Hassle-free five-year limited parts warranty.

OPTIONS

See options menu.

MANUFACTURED HOUSING PRODUCTS / AED AEU

Phone: 281.441.6500
Toll Free: 800.423.9007
Fax: 281.441.6510
www.aspenmfg.com



* For complete warranty details visit www.aspenmfg.com.

Revised 01/13/21. In keeping with its policy of continuous progress and product improvement, Aspen reserves the right to make changes without notice and incurring obligation. © 2021

ELECTRIC FURNACE

HEATING AND COOLING PERFORMANCE AND ELECTRICAL DATA

MODEL	HEAT KIT	PERFORMANCE DATA				ELECTRICAL DATA				
		NOMINAL COOLING (BTUS)	HEATING (KW)		HEATING (KBTUH)		MINIMUM CIRCUIT AMPACITY (MCA)		MAX BREAKER OR FUSE SIZE	
			208V	240V	208V	240V	208V	240V	208V	240V
AE(U/D)	FC(T)L00	24,000 - 60,000	0	0	0	0	6.8	6.8	15	15
	FC(T)L03		2.3	3	7.8	10.2	20.3	22.4	25	25
	FC(T)L05		3.6	4.8	12.6	16.4	28.4	31.8	30	35
	FC(T)L08		6	8	20.4	27.3	42.8	48.4	45	50
	FC(T)L10		7.2	9.6	24.5	32.8	50	56.8	50	60
	FC(T)L15		11.3	14.4	38.5	49.1	50/21.6	56.8/25	50/25	60/25
	FC(T)L20		14.4	19.2	49.1	65.5	50/43.3	56.8/50	50/45	60/50

BLOWER DATA

MODEL	SPEED TAP	MOTOR HP	MOTOR AMPS	MOTOR VOLTAGE	CFM V. EXTERNAL STATIC *				
					0.10	0.20	0.30	0.40	0.50
AE(U/D)	T1	3/4	5.4	240	940	850	795	740	640
	T2				1155	1070	1015	950	885
	T3				1375	1305	1255	1180	1127
	T4				1500	1430	1375	1315	1260
	T5				1850	1800	1760	1710	1650

AIR HANDLER CHASSIS NOMENCLATURE

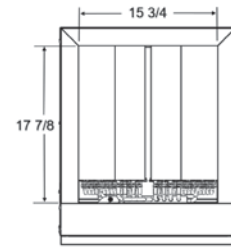
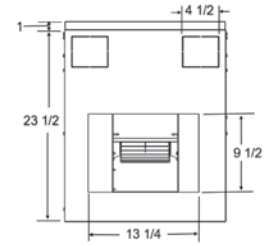
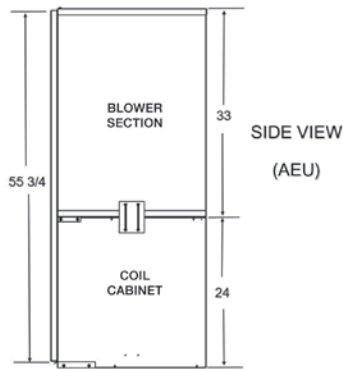
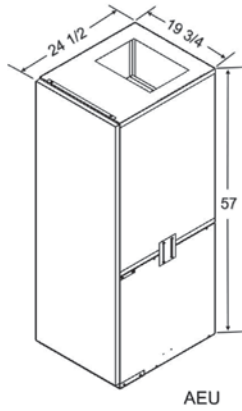
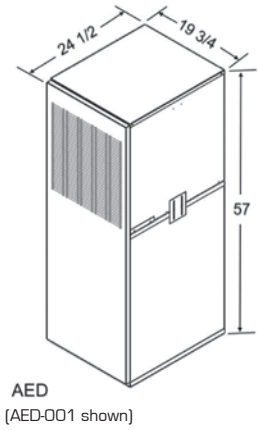
AE(U/D)	-001
AE(U/D) = 240V Constant torque ECM Manufactured Housing Electric Furnace	Option Code

ELECTRIC HEAT KIT NOMENCLATURE

F	C	L	03
Electric Heat	Interruption C = Circuit Breaker T = Terminal Block P = Circuit Breaker w/Single Point 3 = 3-Phase Circuit Breaker 4 = 3-Phase Terminal Block	L	Heat Strip 00 = 0 KW 03 = 3 KW 05 = 5 KW 08 = 8 KW 10 = 10 KW 15 = 15 KW 20 = 20 KW

DIMENSIONS

MANUFACTURED HOUSING PRODUCTS / AED AEU



DOWNFLOW



UPFLOW

Note: Coil not included. The air handler is designed to work exclusively with the Aspen CM coil line.

MODEL	CONFIGURATION	RETURN	DOOR	FIELD CONVERTIBLE
AEU-000	Upflow	Bottom	Solid	Yes
AED-000	Downflow	Top	Solid	Yes
AED-001	Downflow	Front	Louvered	No [^]
AED-002	Downflow	Top/Front	Louvered	No [^]

[^] Need separate solid door and convertible coil cabinet

SHIPPING SPECIFICATIONS

SKID QTY	SHIP WEIGHT [LB]
4	115



Phone: 281.441.6500
 Toll Free: 800.423.9007
 Fax: 281.441.6510
www.aspenmfg.com





PRODUCT DIMENSIONS & SPECIFICATIONS

**AEN UPFLOW/DOWNFLOW
MANUFACTURED HOME
ELECTRIC FURNACE**



Representative image only. Some models may vary in appearance. Due to continuous product improvement, specifications are subject to change without notice.

FEATURES AND BENEFITS

APPLICATION VERSATILITY

One model that delivers 2 to 5 tons of cooling or heating airflow. Upflow (with MAD coil box) and downflow applications. Can be installed in a closet and alcove.

MOTOR

Constant torque ECM speeds and torques are controlled by software embedded in the motor to maintain constant torque. Motors are pre-programmed at the factory. Direct drive blowers circulate air quietly and efficiently. Motor speeds and torques programmed in the motor. Blowers mounted on rails so they can be easily removed for service.

CABINET

Sturdy, galvanized steel cabinet with painted front panels. Cabinet fully insulated with 1/2" micro mat non-hygroscopic insulation to prevent sweating and mold growth, to encapsulate glass fibers, and to provide excellent R-value. Stick pins ensure insulation remains in place.

MODULAR ELECTRIC HEAT KITS

Heat kits available with either circuit breakers or terminal blocks. Available from 3 to 20 KW. Models with electric heat include sequencers and temperature limit switches for safe, efficient operation. Modules are easily installed in the field using molex plugs or can be ordered factory-installed. Controls are accessible from the front for easy service. Disconnect does not protrude through the wall panel.

ELECTRONIC CIRCUIT BOARD

Electronic circuit board provides 30 secs ON/OFF blower time delay extracting more heat/cool from the coil. Automotive pull-style fuse integrated into board.

WARRANTY

Hassle-free five-year limited parts warranty.

OPTIONS

See options menu.

Phone: 281.441.6500
Toll Free: 800.423.9007
Fax: 281.441.6510
www.aspenmfg.com



* For complete warranty details visit www.aspenmfg.com.

Revised 09/11/20. In keeping with its policy of continuous progress and product improvement, Aspen reserves the right to make changes without notice and incurring obligation. © 2020

ELECTRIC FURNACE

MANUFACTURED HOUSING PRODUCTS / AEN

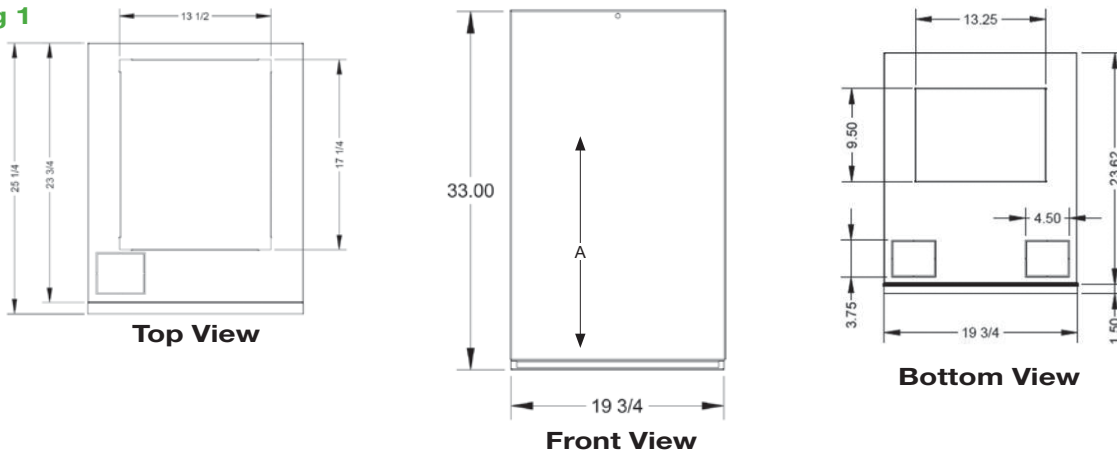
HEATING AND COOLING PERFORMANCE AND ELECTRICAL DATA										
MODEL	HEAT KIT	PERFORMANCE DATA					ELECTRICAL DATA			
		NOMINAL COOLING (BTUS)	HEATING (KW)		HEATING (KBTUH)		MINIMUM CIRCUIT AMPACITY (MCA)		MAX BREAKER OR FUSE SIZE	
			208V	240V	208V	240V	208V	240V	208V	240V
AEN	F(C,T)S00	24,000 - 60,000	0	0	0	0	6.8	6.8	15	15
	F(C,T)S03		2.3	3	7.8	10.2	20.3	22.4	25	25
	F(C,T)S05		3.6	4.8	12.6	16.4	28.4	31.8	30	35
	F(C,T)S08		6	8	20.4	27.3	42.8	48.4	45	50
	F(C,T)S10		7.2	9.6	24.5	32.8	50	56.8	50	60
	F(C,T)S15		11.3	14.4	38.5	49.1	50/21.6	56.8/25	50/25	60/25
	F(C,T)S20		14.4	19.2	49.1	65.5	50/43.3	56.8/50	50/45	60/50

BLOWER DATA										
MODEL	SPEED TAP	MOTOR HP	MOTOR AMPS	MOTOR VOLTAGE	CFM V. EXTERNAL STATIC*					
					0.10	0.20	0.30	0.40	0.50	
					AEN	T1	3/4	5.4	240	940
T2	1155	1070	1015	950		885				
T3	1375	1305	1255	1180		1127				
T4	1500	1430	1375	1315		1260				
T5	1850	1800	1760	1710		1650				

AIR HANDLER CHASSIS NOMENCLATURE	
AEN	-001
AEN = 240V Constant torque ECM Manufactured Housing Electric Furnace	Option Code

ELECTRIC HEAT KIT NOMENCLATURE			
F	C	L	03
Electric Heat	Interruption C = Circuit Breaker T = Terminal Block P = Circuit Breaker w/ Single Point 3 = 3-Phase Circuit Breaker 4 = 3-Phase Terminal Block	L	Heat Strip 00 = 0 KW 03 = 3 KW 05 = 5 KW 08 = 8 KW 10 = 10 KW 15 = 15 KW 20 = 20 KW

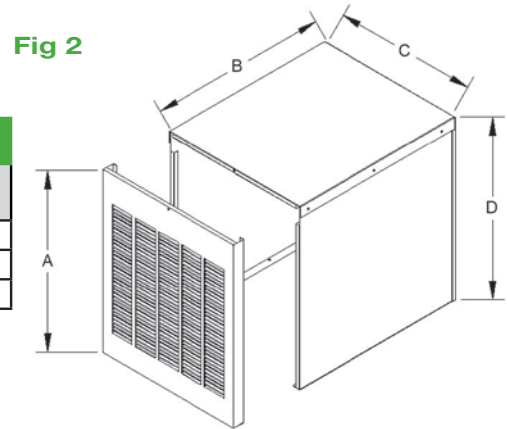
Fig 1



COIL BOXES AND ACCESSORIES

DOWNFLOW COIL BOX CABINET DIMENSIONS (Fig 2)

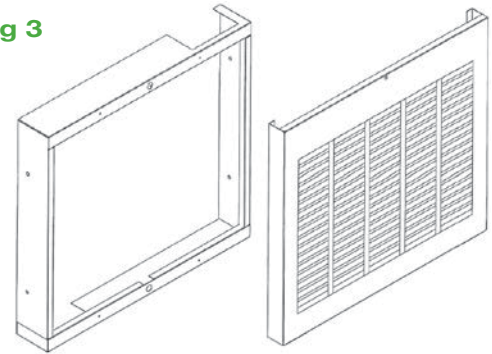
PANEL MODEL	FOR USE WITH	A	B	C	D
MAD-01(L)	AEN	18	23-1/2	19-3/4	18
MAD-02(L)	AEN	24			24
MAD-03(L)	AEN	36			36



TOP GRILLE AND FRAME KIT DIMENSIONS (Fig 3)

PANEL MODEL	FOR USE WITH	A	B
MAD-04(L)	AEN	24	19-3/4

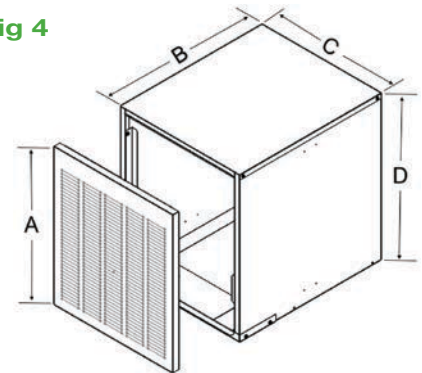
Fig 3



UPFLOW/DOWNFLOW COIL BOX CABINET DIMENSIONS (FIG 4)

MODEL	APPLICATION	A	B	C	D
MAD-07	DOWNFLOW (FRONT RETURN) COIL CABINET	24	23-1/2	19-3/4	24
MAD-08	UPFLOW (BOTTOM RETURN) COIL CABINET				
MAD-09	DOWNFLOW (TOP RETURN) COIL CABINET				

Fig 4



SHIPPING SPECIFICATIONS

SKID QTY	SHIP WEIGHT (LB)
4	85



Phone: 281.441.6500
 Toll Free: 800.423.9007
 Fax: 281.441.6510
www.aspenmfg.com



PRODUCT DIMENSIONS & SPECIFICATIONS

CM SERIES UNCASED DOWNFLOW COILS FOR USE WITH MANUFACTURED HOME FURNACES



Representative drawing only.
Some models may vary in appearance.

STANDARD SPECIFICATIONS

- Rifled copper tubing, enhanced aluminum fins.
- Immersion-tested at 500 psi, then nitrogen-pressurized and sealed.
- Left-hand refrigerant and plumbing connections.
- Liquid line - 3/8" ODS, suction line - 3/4" ODS on 1-1/2-3 ton & 7/8" ODS on 3-1/2 - 5 ton.
- Liquid line Schrader valve for hiss-testing.
- Heavy duty polypropylene drain pans.
- Drain connection: 177L pans have single LH 3/4" FPT, 195L pan have quad drains, 3/4" FPT.
- Condensate drain elbow and flexible drain tubing included.
- Downflow plate kit included.
- AHRI certifiable with all brands of A/C and heat pump systems.
- ETL listed for use with both R-22 and R-410a when proper metering device is used.
- Ten-year limited warranty.

POPULAR OPTIONS:

- Factory or field-installable TXV.
- Schrader mounted on suction manifold.

COIL MODEL	PISTON SIZE		DIMENSIONS			SHIPPING INFORMATION			
	R22	R410a	PAN WIDTH [W]"	PAN DEPTH [D]"	BARE SLAB HEIGHT [H]"	SHIPPING WEIGHT (LBS)			SKID QTY
						2 ROW	3 ROW	4 ROW	
CM24A(2,3)*-177L	0.059	0.055	17-3/4	19-5/8	13-1/2	17	27	N/A	30
CM24B(2,3)*-177L	0.059	0.055	17-3/4	19-5/8	15-1/2	20	31	N/A	25
CM24C(2,3)*-177L	0.059	0.055	17-3/4	19-5/8	17-1/2	23	36	N/A	25
CM24D(2,3)*-177L	0.059	0.055	17-3/4	19-5/8	19-1/2	25	40	N/A	20
CM30A(2,3)*-177L	0.068	0.059	17-3/4	19-5/8	15-1/2	20	31	N/A	25
CM30B(2,3)*-177L	0.068	0.059	17-3/4	19-5/8	17-1/2	23	36	N/A	25
CM30C(2,3)*-177L	0.068	0.059	17-3/4	19-5/8	19-1/2	25	40	N/A	20
CM36A(2,3,4)-177L	0.074	0.068	17-3/4	19-5/8	17-1/2	23	36	50	25
CM36B(2,3,4)-177L	0.074	0.068	17-3/4	19-5/8	19-1/2	25	40	55	20
CM36C34**	N/A	N/A	N/A	23	26	N/A	25	N/A	14
CM42A(2,3)*-177L	0.080	0.074	17-3/4	19-5/8	19-1/2	25	40	55	20
CM42A4*-177L	0.080	0.074	17-3/4	19-1/2	17-1/2	N/A	N/A	50	25
CM48A3*-177L	0.084	0.080	17-3/4	19-5/8	21-1/2	N/A	45	60	16
CM48A4*-177L	0.084	0.080	17-3/4	19-1/2	21-1/2	N/A	45	60	16
CM48B3*-177L	0.084	0.080	17-3/4	19-5/8	23-1/2	N/A	49	63	12
CM48B4*-177L	0.084	0.080	17-3/4	19-1/2	23-1/2	N/A	49	63	12
CM48C3*-177L	0.084	0.080	17-3/4	19-5/8	25-1/2	N/A	54	68	12
CM48C4*-177L	0.084	0.080	17-3/4	19-1/2	25-1/2	N/A	54	68	12
CM48D3*-177L	0.084	0.080	17-3/4	19-5/8	27-1/2	N/A	58	72	12
CM48D4*-177L	0.084	0.080	17-3/4	19-1/2	27-1/2	N/A	58	72	12
CM48E3*-177L	0.084	0.080	17-3/4	19-5/8	19-1/2	N/A	40	55	20
CM48E4*-177L	0.084	0.080	17-3/4	19-1/2	19-1/2	N/A	40	55	20
CM59A4*-177L/195L	0.092	0.089	17-3/4 - 19-1/2	19-1/2	19-1/2	N/A	N/A	55	20
CM60A3*-195L	0.092	0.089	19-1/2	19-1/2	25-1/2	N/A	54	70	12
CM60A4*-195L	0.092	0.089	19-1/2	19-1/2	27-1/2	N/A	54	70	12
CM60B3*-195L	0.092	0.089	19-1/2	19-5/8	27-1/2	N/A	58	76	12
CM60B4*-195L	0.092	0.089	19-1/2	19-1/2	27-1/2	N/A	58	76	12

Notes: Do not use heavy duty plastic drain pans on oil furnaces or other applications where outlet temperatures may exceed 290°F +/-5°F.

Specify metal drain pans for these applications.

() number of rows available

* Metering devices available - F = R22 flowrater; X = R22 TXV; 4 = R410a TXV; G = R410a flowrater

** Use option code -000 for downflow configuration, -001 for upflow

Phone: 281.441.6500
Toll Free: 800.423.9007
Fax: 281.441.6510
www.aspenmfg.com



* For complete warranty details visit www.aspenmfg.com.

Revised 10/11/20. In keeping with its policy of continuous progress and product improvement, Aspen reserves the right to make changes without notice and incurring obligation. © 2020

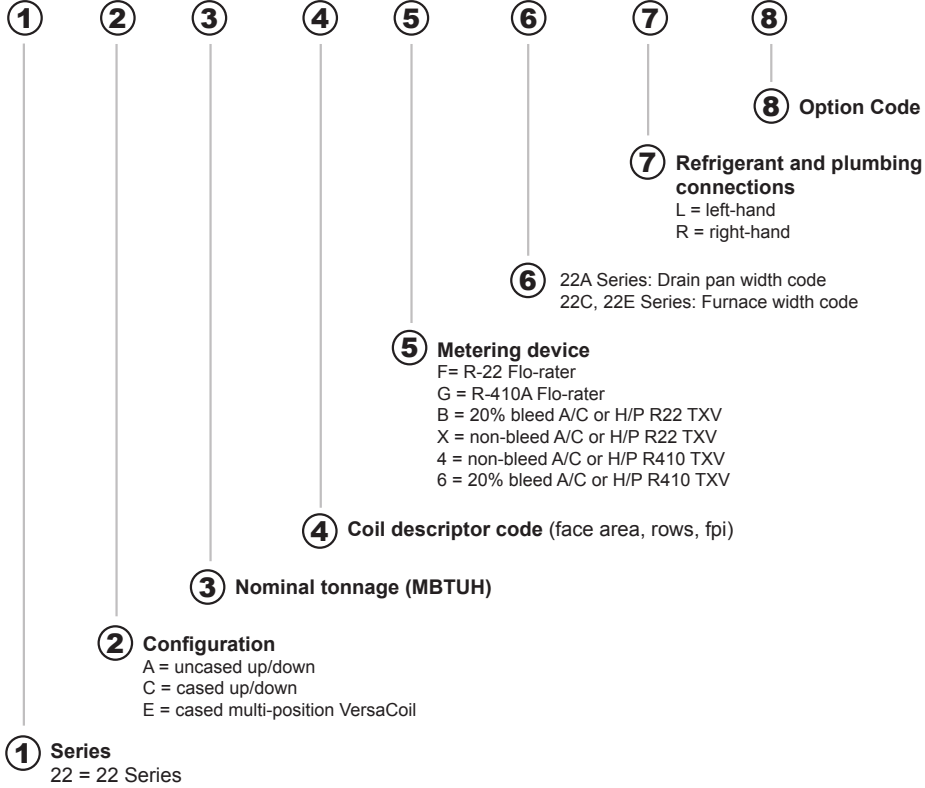
MANUFACTURED HOUSING PRODUCTS / GM



NOMENCLATURE

22 Series

22 A 24 A3 F -145 L -000



LEGACY PRODUCTS


Revised 10/25/19. In keeping with its policy of continuous progress and product improvement, Aspen reserves the right to make changes without notice and incurring obligation. © 2019




PRODUCT DIMENSIONS & SPECIFICATIONS

22 SERIES R22 REPLACEMENT COILS


- Minimum inventory - 4 coils x width dimension
- Easy to define part number - begins with 22
- All coils are embossed steel - \$10 adder for paint
 - Five-year limited warranty

UNCASED UPFLOW/DOWNFLOW	COIL MODEL	FLOW RATOR SIZE	DIMENSIONS					SHIPPING INFORMATION		
			PAN WIDTHS				PAN DEPTH*	BARE SLAB HEIGHT*	SHIPPING WEIGHT (LBS)	SKID QTY
			13"	16"	19-1/2"	23"				
	22A24F-XXXL-003	0.059	13	16	19-1/2		19-3/8	12	17	30
	22A36F-XXXL-003	0.074	13	16	19-1/2		19-3/8	16	23	25
	22A48F-XXXL-003	0.084		16	19-1/2	23	19-3/8	20	28	16
	22A60F-XXXL-003	0.092			19-1/2	23	19-3/8	24	54	12

*.003 option code indicates: schrader valve on suction line

CASED UPFLOW/DOWNFLOW	COIL MODEL	FLOW RATOR SIZE	DIMENSIONS				SHIPPING INFORMATION	
			MIN CABINET WIDTH*	MAX CABINET WIDTH*	CABINET DEPTH*	CABINET HEIGHT*	SHIPPING WEIGHT (LBS)	SKID QTY
	22C24F-XXXL-022	0.059	14	23	21-1/2	16	29	20
	22C36F-XXXL-022	0.074	14	23	21-1/2	20	39	16
	22C48F-XXXL-022	0.084	17	26-1/2	21-1/2	24	49	12
	22C60F-XXXL-022	0.092	20-1/2	26-1/2	21-1/2	28	75	12

*.022 option code indicates: schrader mounted on suction line outside the cabinet, flanged top duct opening

CASED UPFLOW/DOWNFLOW	COIL MODEL	FLOW RATOR SIZE	DIMENSIONS				SHIPPING INFORMATION	
			MIN CABINET WIDTH*	MAX CABINET WIDTH*	CABINET DEPTH*	CABINET HEIGHT*	SHIPPING WEIGHT (LBS)	SKID QTY
	22E24F-XXXL-034	0.059	14	23	21-1/2	19	31	20
	22E36F-XXXL-034	0.074	14	23	21-1/2	23	41	12
	22E48F-XXXL-034	0.084	17	26-1/2	21-1/2	27	52	12
	22E60F-XXXL-034	0.092	20-1/2	26-1/2	21-1/2	30	78	10

*.034 option code indicates: schrader on the suction line outside the cabinet, flanged top duct opening

Phone: 281.441.6500
Toll Free: 800.423.9007
Fax: 281.441.6510
www.aspenmfg.com

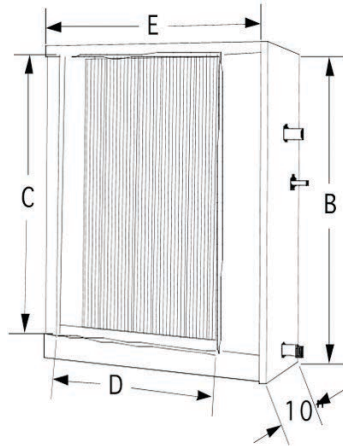


* For complete warranty details visit www.aspenmfg.com.

Revised 10/25/19. In keeping with its policy of continuous progress and product improvement, Aspen reserves the right to make changes without notice and incurring obligation. © 2019

LEGACY PRODUCTS / 22

BH SERIES HORIZONTAL COILS



GENERAL SPECIFICATIONS

- Standard refrigerant connections: liquid line - 3/8" ODS, suction line - 7/8" ODS.
- Two 3/4" MPT condensate drains.
- Powder-painted metal drain pan. Stainless available.
- Five-year limited warranty.
- Flowrate standard. Factory or field-installable TXV available.
- Immersion-tested at 500 psi, then nitrogen-pressurized and sealed.
- Heavy gauge embossed galvanized cabinet fully lined with 1/2" faced insulation.
- Rifled copper tubing, enhanced aluminum fins.
- ETL listed.

Representative image only. Some models may vary in appearance. Due to continuous product improvement, specifications are subject to change without notice.

COIL MODEL	REPLACES	DIMENSIONS			
		HEIGHT (B)"	OPENING		LENGTH (E)"
			(C)"	(D)"	
BHA SLAB HIGH HORIZONTAL COILS					
BHA** 24	N/A	23-1/2	21	16	21-1/2
BHA** 36	N/A	23-1/2	21	24	29-1/2
BHA** 48	N/A	23-1/2	21	29	34-1/2
BHA** 60	N/A	25	21	29	34-1/2
BHC HORIZONTAL COILS					
BHC24 24	RTE524CH	21-1/2	17-1/2	22	27
BHC32 36	RTE536CH	21-1/2	17-1/2	22	27
BHC32 48	RTE48CH, 54BCH	21-1/2	17-1/2	28	33
BHC32 60	RTE60CH	25-1/2	21-1/2	28	33
BHL SLAB LOW HORIZONTAL COILS					
BHL** 24	N/A	17	14-1/2	21-1/2	27
BHL** 36	N/A	17	14-1/2	21-1/2	27
BHL** 48	N/A	17	14-1/2	29	36
BHL** 60	N/A	21	18-1/2	29	36
BHR SLAB HORIZONTAL COILS					
BHR24 24	N/A	23-1/2	21	16	21-1/2
BHR32 36	N/A	23-1/2	21	16	21-1/2
BHR32 48	N/A	23-1/2	21	24	29-1/2
BHR32 60	N/A	25-1/2	21	24	29-1/2
BH232 60 SLAB HIGH HORIZONTAL COILS					
BH232 60	N/A	23-1/2	21	33-3/4	39-1/4

LEGACY PRODUCTS BH*

Phone: 281.441.6500
Toll Free: 800.423.9007
Fax: 281.441.6510
www.aspenmfg.com



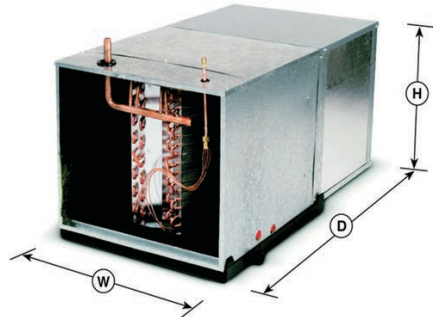
* For complete warranty details visit www.aspenmfg.com.

Revised 11/03/16. In keeping with its policy of continuous progress and product improvement, Aspen reserves the right to make changes without notice and incurring obligation. © 2016



PRODUCT DIMENSIONS & SPECIFICATIONS

CP SERIES DEDICATED HORIZONTAL COILS WITH PLENUM



Representative drawing only.
Some models may vary in appearance.

STANDARD SPECIFICATIONS

- Rified copper tubing, enhanced aluminum fins.
- Immersion-tested at 500 psi, then nitrogen-pressurized and sealed.
- Liquid line - 3/8" ODS, suction line - 3/4" ODS on 1-1/2- 3 ton & 7/8" ODS on 3-1/2 - 5 ton.
- Inlet and outlet dimensions are identical (without end caps).
- Externally mounted flowwater body with Schrader valve for hiss-testing.
- Refrigerant lines exit from the top of the coil.
- Split access doors on top of the coil for easy service.
- Embossed galvanized cabinets standard.
- Fully insulated cabinets with faced insulation.
- Heavy duty plastic pan with four 3/4" FPT galvanized condensate drains (two per side). Pan is positively sloped toward drains.
- Plenum sides and top constructed of foil-backed faced fiberglass ductboard or sheet metal.
- Plenum end and bottom constructed of galvanized steel.
- AHRI certifiable with all brands of A/C and heat pump systems.
- ETL listed for use with R-22 and R-410a when proper metering device is used.
- Ten-year limited warranty.

POPULAR OPTIONS:

- Factory or field-installable TXV.
- Powder painted stainless steel drain pan.
- Schrader mounted on suction manifold external to cabinet.

COIL MODEL	PISTON SIZE		DIMENSIONS			SHIPPING INFORMATION			
	R22	R410a	CABINET WIDTH [W]"	CABINET DEPTH [D]"	MAX FURNACE WIDTH (OR HEIGHT WHEN HORZ.)"	SHIPPING WEIGHT (LBS)			SKID QTY
						2 ROW	3 ROW	4 ROW	
CP24A*	0.059	0.055	22	46	16-3/4	41	49	57	8
CP24B*	0.059	0.055	22	46	16-3/4	46	56	64	8
CP24C*	0.059	0.055	22	46	20-3/4	57	67	76	8
CP24D*	0.059	0.055	22	46	20-3/4	63	75	85	8
CP30A*	0.068	0.059	22	46	16-3/4	46	56	64	8
CP30B*	0.068	0.059	22	46	16-3/4	51	62	71	8
CP30C*	0.068	0.059	22	46	20-3/4	63	75	85	8
CP30D*	0.068	0.059	22	46	20-3/4	69	82	94	8
CP30E*	0.068	0.059	22	46	20-3/4	49	59	68	8
CP36A*	0.074	0.068	22	46	16-3/4	51	62	71	8
CP36B*	0.074	0.068	22	46	16-3/4	56	68	79	8
CP36C*	0.074	0.068	22	46	20-3/4	69	82	94	8
CP36D*	0.074	0.068	22	46	20-3/4	75	90	103	8
CP36E*	0.074	0.068	22	46	20-3/4	54	65	75	8
CP42A*	0.080	0.074	22	46	18-3/4	57	69	80	8
CP42B*	0.080	0.074	22	46	18-3/4	62	76	88	8
CP42C*	0.080	0.074	22	46	22-3/4	70	85	98	6
CP42D*	0.080	0.074	22	46	22-3/4	76	93	108	6
CP42E*	0.080	0.074	22	46	22-3/4	60	73	84	6
CP48A*	0.084	0.080	22	46	20-3/4	62	76	88	8
CP48B*	0.084	0.080	22	46	20-3/4	68	83	96	8
CP48C*	0.084	0.080	22	46	24-3/4	76	93	108	6
CP48D*	0.084	0.080	22	46	24-3/4	83	102	118	6
CP48E*	0.084	0.080	22	46	24-3/4	65	80	92	6
CP60A*	0.092	0.089	22	46	24-3/4	76	93	108	6
CP60B*	0.092	0.089	22	46	24-3/4	83	102	118	6
CP60C*	0.092	0.089	22	46	26-3/4	89	109	126	6
CP60D*(1)	0.092	0.089	22	46	26-3/4	97	119	138	6
CP60E*	0.092	0.089	22	46	26-3/4	80	98	113	6
CP60F*	0.092	0.089	22	46	20-3/4	68	83	96	8
CP60G*	0.092	0.089	22	46	24-3/4	85	104	118	6

Note: (1) Primary pan constructed of powder-painted galvanized steel. P/N 1823

Phone: 281.441.6500
Toll Free: 800.423.9007
Fax: 281.441.6510
www.aspenmfg.com



* For complete warranty details visit www.aspenmfg.com.

Revised 10/25/19. In keeping with its policy of continuous progress and product improvement, Aspen reserves the right to make changes without notice and incurring obligation. © 2019

LEGACY PRODUCTS CP



PRODUCT DIMENSIONS & SPECIFICATIONS

CQ SERIES DEDICATED HORIZONTAL COILS WITH PLENUM AND BUILT-IN AUXILIARY DRAIN PAN (patent pending)



Representative drawing only. Some models may vary in appearance.

STANDARD SPECIFICATIONS

- Riffed copper tubing, enhanced aluminum fins.
- Immersion-tested at 500 psi, then nitrogen-pressurized and sealed.
- Liquid line - 3/8" ODS, suction line - 3/4" ODS on 1-1/2 - 3 ton & 7/8" ODS on 3-1/2 - 5 ton.
- Inlet and outlet dimensions are identical (without end caps).
- Externally mounted flowrater body with Schrader valve for hiss-testing.
- Refrigerant lines exit from top of coil.
- Split access doors on top of coil for easy service.
- Embossed galvanized cabinets standard.
- Fully insulated cabinets with faced insulation.
- Primary pan constructed of heavy duty plastic with four 3/4" FPT condensate drains (two per side). Pan is positively sloped toward drains. Drain diverter channels condensate out of secondary drain into auxiliary pan.
- Auxiliary pan constructed of painted galvanized steel with two 3/4" FPT condensate drains (one per side).
- Plenum sides and top constructed of foil-backed faced fiberglass ductboard or sheet metal.
- Plenum end and bottom constructed of galvanized steel.
- AHRI certifiable with all brands of A/C and heat pump systems.
- ETL listed for use with R-22 and R-410a when proper metering device is used.
- Ten-year limited warranty.

POPULAR OPTIONS:

- Factory or field-installable TXV.
- Schrader mounted on suction manifold external to cabinet.

LEGACY PRODUCTS CQ

COIL MODEL	PISTON SIZE		DIMENSIONS			SHIPPING INFORMATION			
	R22	R410a	CABINET WIDTH [W]"	CABINET DEPTH [D]"	CABINET HEIGHT [H]"	SHIPPING WEIGHT (LBS)			SKID QTY
						2 ROW	3 ROW	4 ROW	
CQ24A*	0.059	0.055	22	46	18-1/8	47	55	63	8
CQ24B*	0.059	0.055	22	46	18-1/8	52	62	70	8
CQ24C*	0.059	0.055	22	46	22-1/8	63	73	82	8
CQ24D*	0.059	0.055	22	46	22-1/8	69	81	91	8
CQ30A*	0.068	0.059	22	46	18-1/8	52	62	70	8
CQ30B*	0.068	0.059	22	46	18-1/8	57	68	77	8
CQ30C*	0.068	0.059	22	46	22-1/8	69	81	91	8
CQ30D*	0.068	0.059	22	46	22-1/8	75	88	100	8
CQ30E*	0.068	0.059	22	46	22-1/8	55	65	74	8
CQ36A*	0.074	0.068	22	46	18-1/8	57	68	77	8
CQ36B*	0.074	0.068	22	46	18-1/8	62	74	85	8
CQ36C*	0.074	0.068	22	46	22-1/8	75	88	100	8
CQ36D*	0.074	0.068	22	46	22-1/8	81	96	109	8
CQ36E*	0.074	0.068	22	46	22-1/8	60	71	81	8
CQ42A*	0.080	0.074	22	46	20-1/8	63	75	86	8
CQ42B*	0.080	0.074	22	46	20-1/8	68	82	94	8
CQ42C*	0.080	0.074	22	46	24-1/8	76	91	104	6
CQ42D*	0.080	0.074	22	46	24-1/8	82	99	114	6
CQ42E*	0.080	0.074	22	46	24-1/8	66	79	90	6
CQ48A*	0.084	0.080	22	46	22-1/8	68	82	94	8
CQ48B*	0.084	0.080	22	46	22-1/8	74	89	102	8
CQ48C*	0.084	0.080	22	46	26-1/8	82	99	114	6
CQ48D*	0.084	0.080	22	46	26-1/8	89	108	124	6
CQ48E*	0.084	0.080	22	46	26-1/8	71	86	98	6
CQ60A*	0.092	0.089	22	46	26-1/8	82	99	114	6
CQ60B*	0.092	0.089	22	46	26-1/8	89	108	124	6
CQ60C*	0.092	0.089	22	46	28-1/8	95	115	132	6
CQ60D*(1)	0.092	0.089	22	46	28-1/8	103	125	144	6
CQ60E*	0.092	0.089	22	46	28-1/8	86	104	119	6
CQ60F*	0.092	0.089	22	46	22-1/8	74	89	102	8
CQ60G*	0.092	0.089	22	46	26-1/8	91	110	126	6

Note: (1) Primary pan constructed of powder-painted galvanized steel (P/N 1823).

Phone: 281.441.6500
 Toll Free: 800.423.9007
 Fax: 281.441.6510
www.aspenmfg.com



* For complete warranty details visit www.aspenmfg.com.

Revised 10/25/19. In keeping with its policy of continuous progress and product improvement, Aspen reserves the right to make changes without notice and incurring obligation. © 2019



Metering Device Selection Matrix

REFERENCE MATERIAL

TXV SELECTION - RESIDENTIAL								
Refrigerant	Range (OD tons)	AC or HP	20% Bleed Port	TXV Kit	Aspen Part No.	Ordering Nomenclature		
						"C/D" coils, "A" AH's	"B" Coils, "F" AH's	
R-410A	1.5-2.0	Both	No	X5-3	4200	4	0	
R-410A	2.5-3.5	Both	No	X5-4	4201	4	0	
R-410A	4.0-5.0	Both	No	X5-5	4202	4	0	
R-410A	1.5-3.0	Both	Yes	X6-3	4203	6	0	
R-410A	3.5-5.0	Both	Yes	X6-5	4204	6	0	
R-22	1.5-3.0	Both	Yes	X3-3	4044	B	0	
R-22	3.5-5.0	Both	No	X3-5	4050	B	0	
R-22	1.5-3.0	Both	No	X2-3	4190	X	0	
R-22	3.5-5.0	Both	No	X2-5	4195	X	0	
R-410A	7.5-10	Both	No	X4-10	3947*	4	0	
R-22	7.5	AC	No	X1-7.5	3946*	X	0	
R-22	10	AC	No	X1-10	3940*	X	0	

*Adjustable Valve

TXV SELECTION - COMMERCIAL				
Dual Circuit Commercial Coils	Single Circuit R22 TXV	Single Circuit R410A TXV	Dual Circuit Use 2 R22 TXV	Dual Circuit Use 2 R410A TXV
BV***72+[*]	(X1) 4195	(X4) 4202	(X1) 4190	(X4) 4200
BV***90+[*]	(X1) 3946	(X4) 3947+3948	(X1) 4195	(X4) 4202
BV***120+[*]	(X1) 3940	(X4) 3947+3948	(X1) 4195	(X4) 4202
CC72**[*]	(X) 4195	(4) 4202	(X) 4190	(4) 4200
CC90**[*]	(X) 3946	(4) 3947+3948	(X) 4195	(4) 4202
CC120**[*]	(X) 3940	(4) 3947+3948	(X) 4195	(4) 4202

PISTON SELECTION (NON-TXV)				
Tonnage	R22	(F)	R410A	(G)
	Orifice Size	PART #	Orifice Size	PART #
1T	0.041	3962	N/A	N/A
1.5T	0.055	3999	0.049	4006
2T	0.059	4000	0.055	3999
2.5T	0.068	3987	0.059	4000
3T	0.074	4001	0.068	3987
3.5T	0.080	3990	0.074	4001
4T	0.084	3991	0.080	3990
5T	0.092	3998	0.089	3960

Phone: 281.441.6500
 Toll Free: 800.423.9007
 Fax: 281.441.6510
www.aspenmfg.com

Revised 05/29/20. In keeping with its policy of continuous progress and product improvement, Aspen reserves the right to make changes without notice and incurring obligation. © 2020



TXV (Expansion Valves)

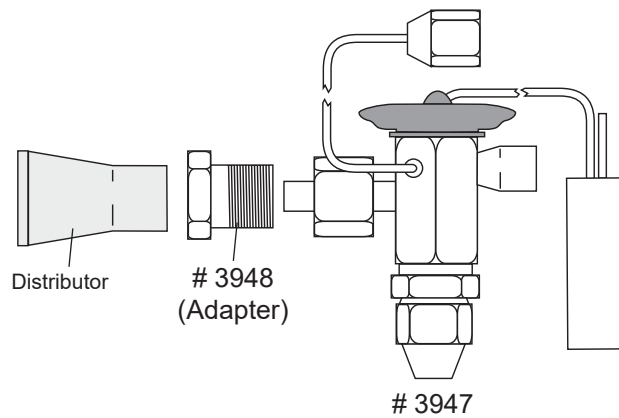
Commercial Horizontal Slab &
CC Series 7.5 -10 ton Single Circuit Coils

These coils can be converted between R-22 and R-410A. Distributor piece removal will require proficiency in brazing and soldering. Understand the differences between the R-22 and R-410A expansion valves before attempting conversion, particularly when converting from R-410A to R-22.

R-22 to R-410A Conversion

7.5 Ton & 10 Ton

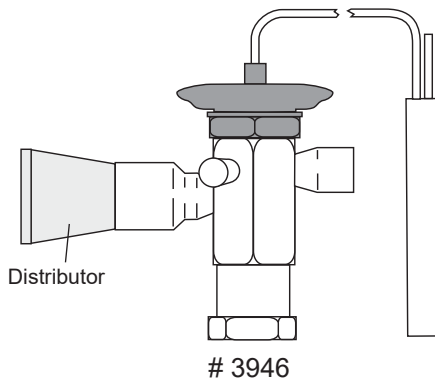
Requires Part #3947 (Bolt type) plus Adapter #3948



R-410A to R-22 Conversion:

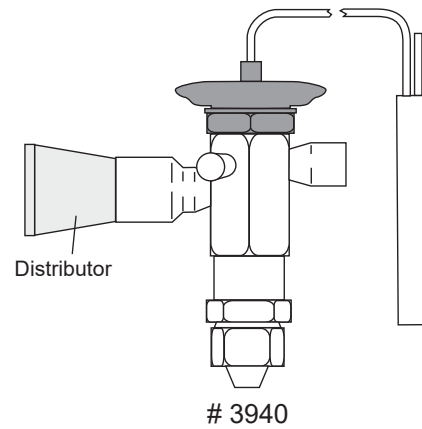
7.5 Ton

Requires part #3946 (sweat fitting)



10 Ton

Requires part #3940 (sweat fitting)



Phone: 281.441.6500
Toll Free: 800.423.9007
Fax: 281.441.6510
www.aspenmfg.com



Revised 04/02/14. In keeping with its policy of continuous progress and product improvement, Aspen reserves the right to make changes without notice and incurring obligation.



NOMENCLATURE

Serial Number

A 00 - 12345

①

②

③

③ Sequential
Serial
Number

② Year Code
00 = 2000
01 = 2001
02 = 2002
(etc.)

① Month Code
A = JANUARY
B = FEBRUARY
C = MARCH
D = APRIL
E = MAY
F = JUNE
G = JULY
H = AUGUST
J = SEPTEMBER
K = OCTOBER
L = NOVEMBER
M = DECEMBER

Note: The letter "I" is skipped

REFERENCE MATERIAL

Effective January 2000. In keeping with its policy of continuous progress and product improvement, Aspen reserves the right to make changes without notice and incurring obligation. © 2019

ASPEN MANUFACTURING TERMS AND CONDITIONS

PAYMENT TERMS: Terms are 1% 10 days, net 30 days from invoice date. A finance charge of 1-1/2% or the maximum allowed by law will be assessed on all past due amounts. All orders are subject to a minimum \$20 billing. All orders payable in US funds.

FREIGHT TERMS: All shipments are F.O.B. Humble TX. Orders for \$15,000 or more of merchandise will be shipped freight prepaid to any one destination in the continental U.S. or Canada. Orders for less than \$15,000 of merchandise will be shipped freight prepaid and added to invoice. "Will Call" orders will not be assessed freight charges, regardless of size.

FREIGHT CHARGES: All accessorial charges assessed by the freight company, including drop charges, detention charges, lift gate charges, etc., will be passed on to the buyer.

DROP SHIPMENTS: There is a three-drop limit per truckload, with a 50-unit minimum per drop.

POOLING ORDERS: For the purposes of determining freight charges, each purchase order will be evaluated individually. Pooling of orders, whether from the same customer or different customers, in order to qualify for prepaid freight will not be allowed. Aspen will group orders together whenever possible in order to minimize freight charges. Doing so will not incur future obligation.

METHOD OF SHIPMENT: The method of shipment is at the discretion of Aspen. If special routing is requested, Aspen will charge for the difference between such routing and normal minimum freight charge to such point.

BUYER DELAYED DELIVERIES: Product shipment cannot be delayed beyond a requested or agreed to delivery date once production has begun. If buyer cannot or will not accept delivery as scheduled, Aspen will charge a storage fee of \$75.00 per day for each truckload or partial truckload that remains in Aspen's shipping facility.

BACKORDERS: Backorders will be shipped according to the freight terms of the original order.

WARRANTY: Aspen's warranty varies according to product. Buyer should consult the warranty documents relevant to the products he is purchasing.

ORDER AND LINE ITEM MINIMUMS: The minimum order quantity is fifty units. The minimum line item quantity is ten.

RECEIPT OF SHIPMENT: Our Bill of Lading is acknowledgment by the freight carrier that they have accepted the shipment in good condition. Responsibility for shipment is the carrier's. Damaged merchandise must be reported to the carrier directly by the buyer. The buyer should insist that such damages are itemized on the freight bill. Deductions for damage will not be allowed because Aspen's responsibility ends with consignment to the carrier. If there are shortages, they should be noted on the freight bill and the carrier should be notified immediately. Aspen must receive notification of shortages within 24 hours of receipt of shipment.

RETURN POLICY: No merchandise will be accepted for return unless accompanied by a preauthorized Aspen return authorization tag. Credits for new material accepted for return will be at the original sales price or current market price, whichever is lower, less handling and restocking charges of 20%. Buyer must prepay all return transportation charges. No goods will be accepted for return more than six months after shipment unless under warranty. Obsolete products or products made to special order are not returnable.

ORDER ACCEPTANCE: All orders must be in writing and are subject to acceptance by Aspen. A purchase order number must appear on all orders. No agent, salesman, or other representative, has any authority to waive, alter, or enlarge these standard terms, unless authorized in writing by an officer of Aspen.

CHANGE ORDERS: Change orders cannot be accepted during the order freeze period. The length of this period is usually two weeks, but may vary. For current status of the freeze period contact your Aspen representative. Quantity increases and line item additions will usually be acceptable.

ORDER CANCELLATION: Partial or total cancellations of orders by the buyer must be in writing to Aspen in advance of the start of production.

CREDIT APPROVAL: If, during the performance hereof, the financial responsibility of buyer is determined at the sole discretion of Aspen's Credit Department to be unacceptable or if buyer fails to make any payments in accordance with the terms hereof, Aspen may defer or decline to make any shipments hereunder except upon receipt of Cash payments in advance, or Aspen may terminate this order without further obligation of Aspen to buyer.

TAXES: Any direct or excise tax which may now or hereafter be imposed by federal or state government or any subdivision thereof upon the manufacture, sale, or delivery of the goods covered by this order may be added by Aspen to the purchase price of such goods, and if so added, shall be paid by the buyer.

CREDITS: Accounting credits expire one year from date of issuance. Credits can only be applied toward the purchase of Aspen equipment (not parts). Cash reimbursement for credits in lieu of equipment purchases is not allowed.

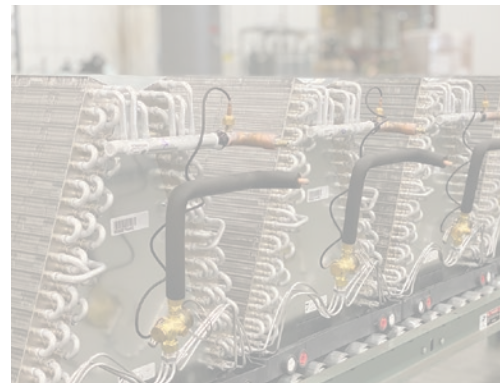
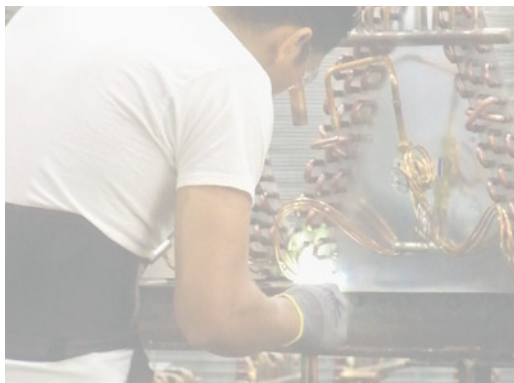
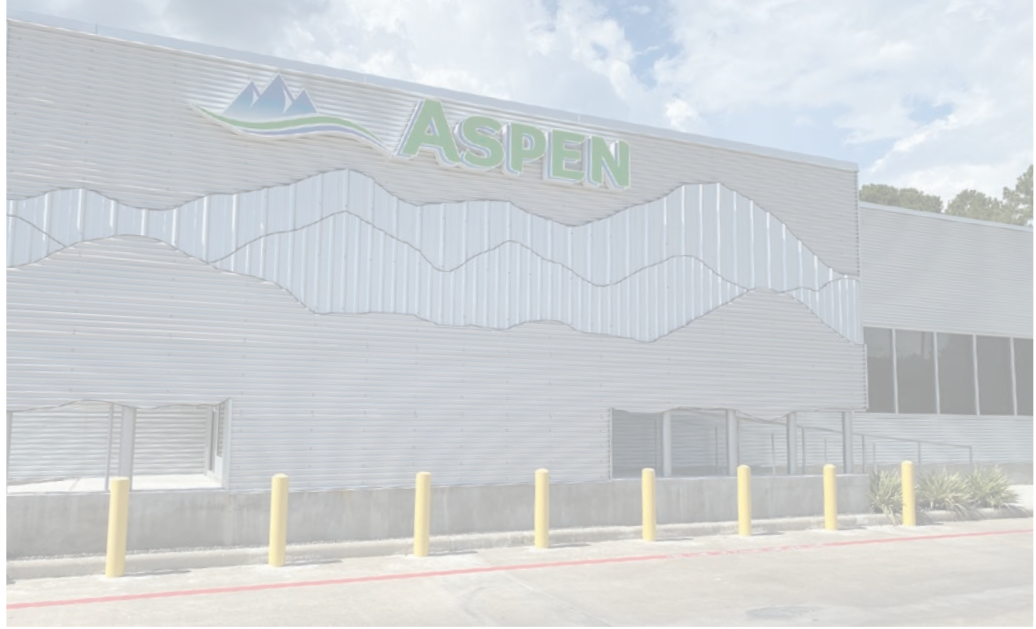
DELIVERY DATES: Any delivery dates, which may be indicated, are estimates only and are not guaranteed. Buyer's requested delivery date is considered to be approximate and subject to Aspen's acceptance.

PROPERTY DAMAGE: In case of product failure resulting in property damage, the factory should be contacted as soon as possible. No corrective action should be taken without prior written authorization from the factory.

PRODUCT CHANGES: Aspen reserves the right to change specifications, design and material in the interest of product improvement, without incurring obligation to the buyer.

SOLE AND EXCLUSIVE AGREEMENT: The terms and conditions of an order shall constitute the sole and exclusive agreement between Aspen and buyer. No waiver of any individual provision hereof shall constitute a waiver of any other provisions.

Effective 1/1/16. Revised 2/16/15. Subject to change without notice.



Everything's Right Here™

373 Atascocita Rd.
Humble, TX 77396
Phone: 281.441.6500
Toll Free: 800.423.9007
Fax: 281.441.6510
www.aspenmfg.com



Right products. Right features. Right price.