

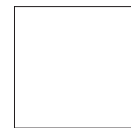


CB50SP & CP65SP Plenum Rated Condensate Pump

Beckett's series of plenum rated pumps is UL tested to UL2043 for Plenum applications. Complete solution for condensate removal installed in air handling and Plenum applications. Features flame retardant plastics that meet UL smoke release standards and capable of handling acidic condensation from condensing furnaces and tankless water heaters.

FEATURES

- Available in 115, 230, 460V
- 50 ft. and 65 ft. max lift
- For Plenum Application
- 1/2" OD copper discharge
- 1.25" diameter inlet with 5/8" ID grommet
- Rated up to 212 degrees F
- 1 gallon tank capacity
- Automatic on/off operation with separate overflow detection switch
- Thermally protected fan cooled motor



CB50 Series



CP65 Series

| Model # | H | W | L | Outlet O.D. | Inlet | Volts | Amps | Watts | Gallons per hour @ 60Hz / Rated Voltage | | | | | | Power Leads | Shut Off (Ft.) | Weight Lb. Each | Safety Switch | Check Valve | UL US |
|-------------|---------|----|-----|-------------|-------|-------|------|-------|---|-----|-----|-----|-----|-----|-------------|----------------|-----------------|---------------|-------------|-------|
| | | | | | | | | | 1' | 10' | 20' | 30' | 40' | 50' | | | | | | |
| CB501ULHTSP | 10 1/8" | 6" | 12" | 1/2" | 1.25" | 115 | 4.0 | 300 | 476 | 396 | 306 | 216 | 126 | - | N/A | 50' | 13.3 | ✓ | ✓ | ✓ |
| CB502ULHTSP | 10 1/8" | 6" | 12" | 1/2" | 1.25" | 230 | 1.9 | 350 | 486 | 412 | 337 | 249 | 168 | - | N/A | 50' | 13.4 | ✓ | ✓ | ✓ |
| CB504ULHTSP | 10 1/8" | 6" | 12" | 1/2" | 1.25" | 460 | 0.8 | 350 | 420 | 355 | 310 | 240 | 145 | - | N/A | 50' | 14.0 | ✓ | ✓ | ✓ |
| CP651ULHTSP | 10 1/2" | 6" | 12" | 1/2" | 1.25" | 115 | 3.3 | 375 | 476 | 430 | 380 | 330 | 270 | 200 | N/A | 65' | 14.9 | ✓ | ✓ | ✓ |
| CP654ULHTSP | 10 1/2" | 6" | 12" | 1/2" | 1.25" | 460 | 0.89 | 390 | 476 | 430 | 380 | 330 | 270 | 200 | N/A | 65' | 16.0 | ✓ | ✓ | ✓ |

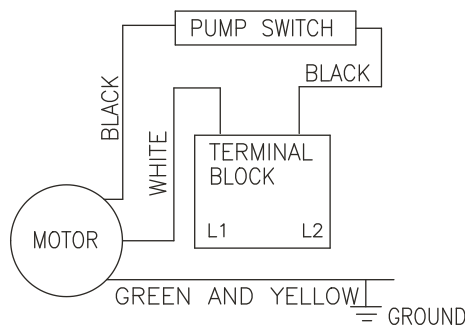
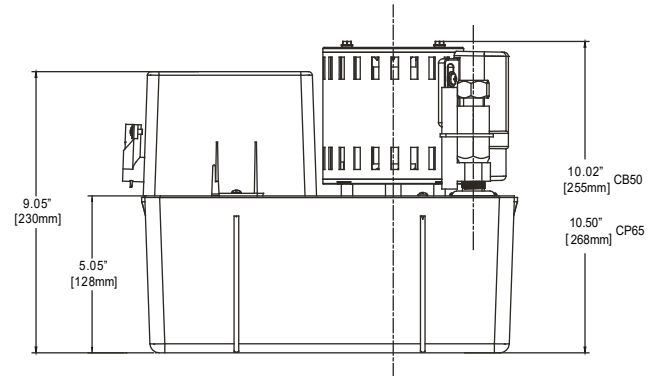
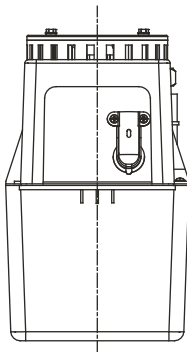
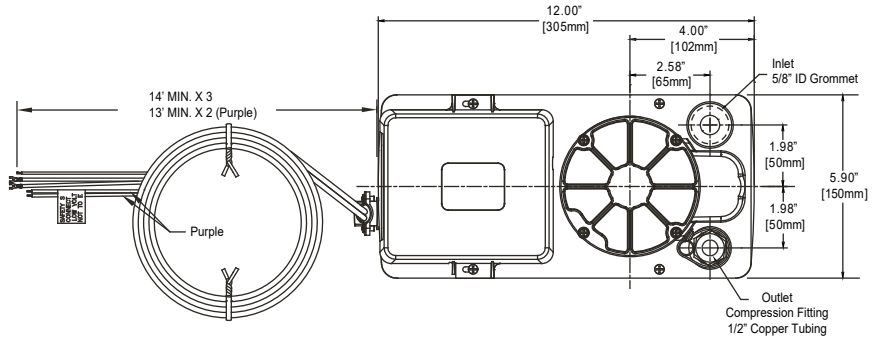
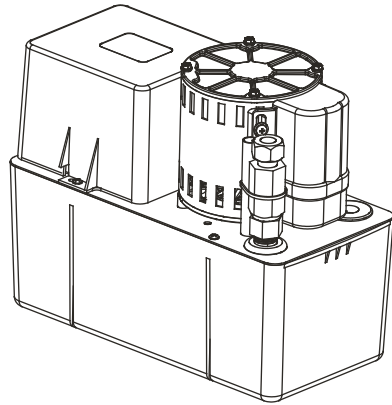
Average Performance

Beckett Automatic Condensate Units Coding Legend:

1- 115V 2- 230V 4- 460V
HTSP- Plenum High Temperature Unit 212°F Max. Water Temp.

Tank Capacity:

CB50'SP, CP65'SP 1 US gallon (3.785 Liters)



WIRING DIAGRAM

