

# TECHNICAL SPECIFICATIONS

## C6 Indoor Coils

### MODEL IDENTIFICATION CODE

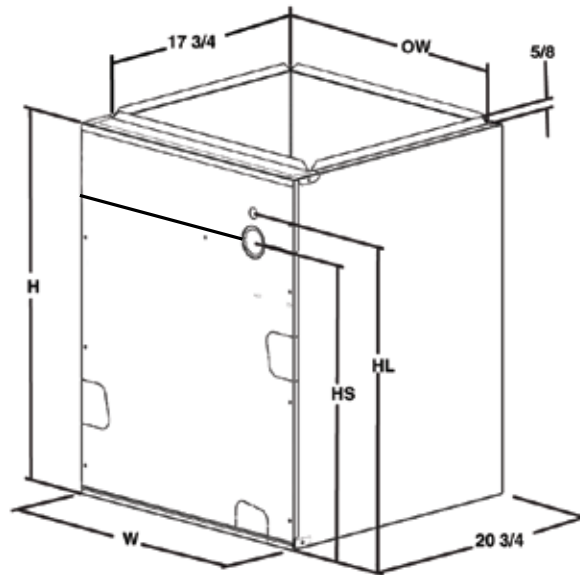
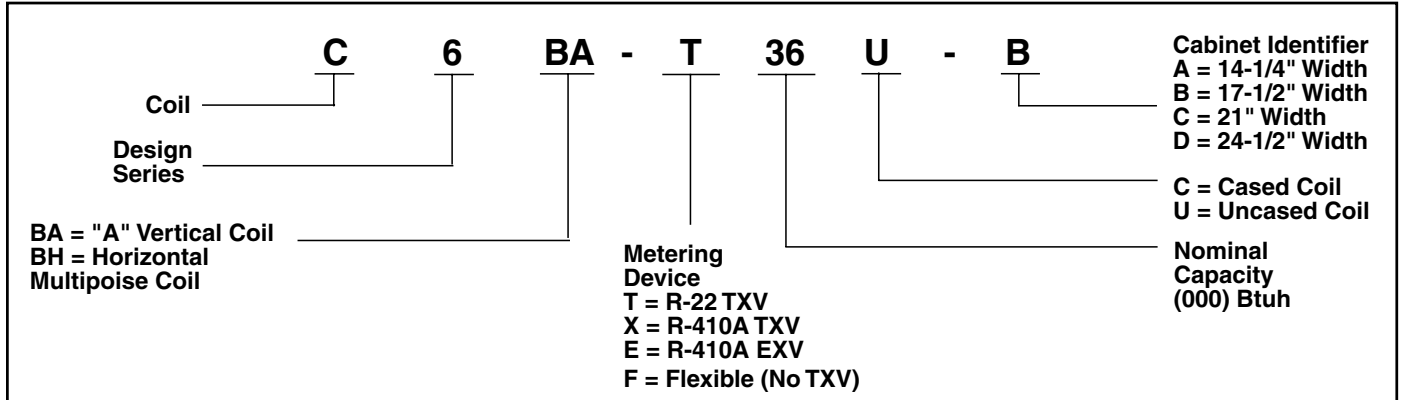


Figure 1. Cased Coil Wrapper

### C6 CASED COIL WRAPPERS (SEE FIGURE 1)

SKU	Cabinet Identifier	Overall Width	Overall Height	Liquid Line Height	Suction Line Height	Opening Width
		W	H	HL	HS	OW
920256	A	14 1/4"	20 3/4"	17 1/2"	15 1/2"	12 7/8"
920257	A	14 1/4"	26 3/4"	23 1/2"	21 1/2"	12 7/8"
920258	B	17 1/2"	20 3/4"	17 1/2"	15 1/2"	16 1/8"
920259	B	17 1/2"	26 3/4"	23 1/2"	21 1/2"	16 1/8"
920260	C	21"	26 3/4"	23 1/2"	21 1/2"	19 5/8"
920261	C	21"	30 1/4"	27"	25"	19 5/8"
920262	D	24 1/2"	30 1/4"	27"	25"	23 1/8"

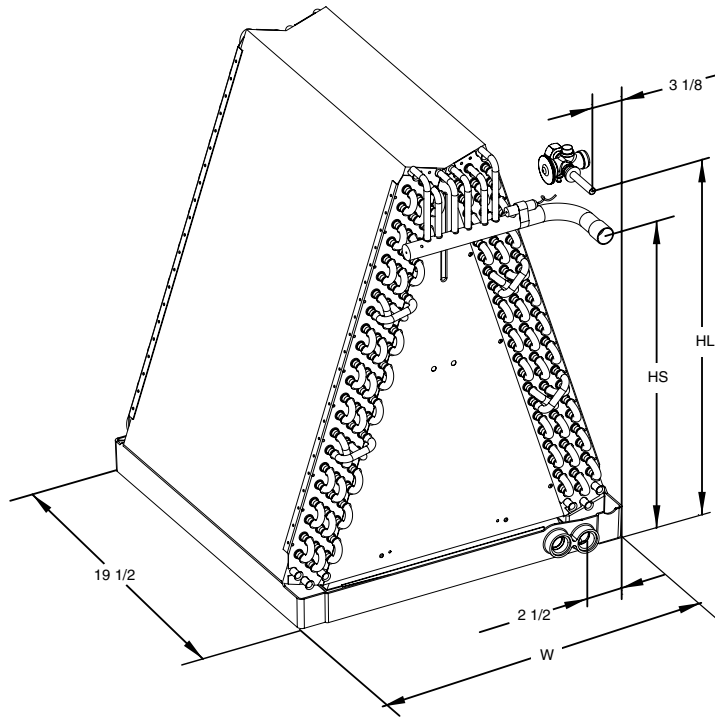


Figure 2. Uncased coil

**C6 FLEXIBLE UNCASSED COIL DATA (SEE FIGURE 2)**

Coil Model C6BA	F24-A	F36-A	F24-B	F36-B	F42-B	F48-C	F60-C	F48-D	F60-D
Face Area (ft <sup>2</sup> )	4.18	4.18	4.18	4.18	5.58	5.58	6.42	5.58	6.42
Rows	3	3	3	3	3	3	3	3	3
Fins per inch	14	14	14	14	14	14	14	14	14
W - Width (in.)	12 3/4	12 3/4	16	16	16	19 1/2	19 1/2	23	23
H - Height (in.)	19	19	19	19	24 3/4	23 3/4	28 3/4	24	28 1/4
HL - Height of Liquid Line (in.)	17 1/2	17 1/2	17 1/2	17 1/2	23 1/2	23 1/2	27	27	27
HS - Height of Suction Line (in.)	15 1/2	15 1/2	15 1/2	15 1/2	21 1/2	21 1/2	25	25	25
Connection - Liquid Line	3/8	3/8	3/8	3/8	3/8	3/8	3/8	3/8	3/8
Connection - Suction Line	3/4	3/4	3/4	3/4	7/8	7/8	7/8	7/8	7/8
Horizontal Drain Kit	920265	920265	920265	920265	920266	920266	920267	920266	920267

**C6 TXV INSTALLED UNCASSED COIL DATA (SEE FIGURE 2)**

Coil Model C6BA, C6BH	T24-A X24-A	T30-A X30-A	X35-A	T24-B X24-B	X26-B	T30-B X30-B	X35-B	T36-B X36-B	T42-B X42-B	X47-B	X30-C	T36-C X36-C	X37-C	T42-C X42-C	X47-C	T48-C X48-C	T60-C X60-C	T42-D X42-D	T48-D X48-D	T60-D X60-D
Face Area (ft <sup>2</sup> )	4.18	4.18	4.18	4.18	5.58	4.18	4.18	5.58	5.58	4.18	5.58	6.42	5.58	5.58	6.42	6.42	5.58	6.42	6.42	6.42
Rows	3	3	3	3	3	3	3	3	3	3	3	3	3	3	3	3	3	3	3	3
Fins per inch	14	14	14	14	14	14	14	14	14	14	14	14	14	14	14	14	14	14	14	14
Metering Device	TXV	TXV	TXV	TXV	TXV	TXV	TXV	TXV	TXV	TXV	TXV	TXV	TXV	TXV	TXV	TXV	TXV	TXV	TXV	TXV
Nominal Airflow (CFM)	800	1,000	1,000	800	1,200	1,000	1,200	1,200	1,400	1,200	1,000	1,200	1,200	1,400	1,400	1,600	2,000	1,400	1,600	2,000
Pressure drop at nom airflow (in. wc)	0.12	0.30	0.30	0.12	0.21	0.15	0.21	0.21	0.30	0.30	0.16	0.21	0.17	0.30	0.30	0.30	0.30	0.30	0.30	0.30
W - Width (in.)	12 3/4	12 3/4	12 3/4	16	16	16	16	16	16	16	19 1/2	19 1/2	19 1/2	19 1/2	19 1/2	19 1/2	19 1/2	23	23	23
H - Height (in.)	19	19	19	19	24 3/4	19	19	24 3/4	24 3/4	24 3/4	23 3/4	23 3/4	28 3/4	23 3/4	23 3/4	28 3/4	28 3/4	24	28 1/4	28 1/4
HL - Height of Liquid Line (in.)	17 1/2	17 1/2	17 1/2	17 1/2	23 1/2	17 1/2	17 1/2	23 1/2	23 1/2	23 1/2	23 1/2	23 1/2	27	23 1/2	23 1/2	27	27	27	27	27
HS - Height of Suction Line (in.)	15 1/2	15 1/2	15 1/2	15 1/2	21 1/2	15 1/2	15 1/2	21 1/2	21 1/2	21 1/2	21 1/2	21 1/2	25	21 1/2	21 1/2	25	25	25	25	25
Connection - Liquid Line	3/8	3/8	3/8	3/8	3/8	3/8	3/8	3/8	3/8	3/8	3/8	3/8	3/8	3/8	3/8	3/8	3/8	3/8	3/8	3/8
Connection - Suction Line	3/4	3/4	3/4	3/4	3/4	3/4	3/4	7/8	7/8	7/8	3/4	7/8	7/8	7/8	7/8	7/8	7/8	7/8	7/8	7/8
Horizontal Drain Kit	920265	920265	920265	920265	920266	920265	920265	920266	920266	920266	920266	920266	920267	920266	920266	920267	920267	920266	920267	920267

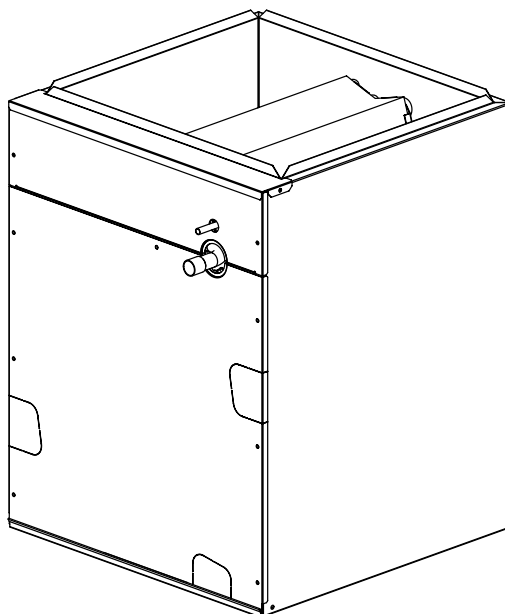


Figure 3. Cased Coil

### C6 FLEXIBLE CASSED COIL DIMENSIONS (SEE FIGURES 3 - 6)

Cabinet Identifier	Overall		Top Opening	Bottom Opening	Horizontal Drain Pan Extension	Line Set	
	W	H	OW	B (Fig 6)	C (Fig 4&5)	HL	HS
C6BA-F 24, 36 A	14 1/4	20 3/4	12 7/8	6 5/8	5 3/4	17 1/2	15 1/2
C6BA-F 24, 36 B	17 1/2	20 3/4	16 1/8	8 3/8	5 3/4	17 1/2	15 1/2
C6BA-F 42 B	17 1/2	26 3/4	16 1/8	8 3/8	5 3/4	23 1/2	21 1/2
C6BA-F 48 C	21	26 3/4	19 5/8	11 7/8	2 3/4	23 1/2	21 1/2
C6BA-F 60 C	21	30 1/4	19 5/8	11 7/8	3 1/4	27	25
C6BA-F 48, 60 D	24 1/2	30 1/4	23 1/8	15 3/8	3 1/4	27	25

### C6 TXV INSTALLED CASSED COIL DIMENSIONS (SEE FIGURES 3 - 6)

Cabinet Identifier	Overall		Top Opening	Bottom Opening	Horizontal Drain Pan Extension	Line Set	
	W	H	OW	B (Fig 6)	C (Fig 4&5)	HL	HS
C6BA-(T,X) *24, *30, *35 A	14 1/4	20 3/4	12 7/8	6 5/8	5 3/4	17 1/2	15 1/2
C6BH-(T,X) *24, *30, *35 A	14 1/4	26 3/4	12 7/8	6 5/8	-	23 1/2	21 1/2
C6BA-(T,X) *24, *30, *35 B	17 1/2	20 3/4	16 1/8	8 3/8	5 3/4	17 1/2	15 1/2
C6BA-(T,X) *26, *36, *42 B	17 1/2	26 3/4	16 1/8	8 3/8	5 3/4	23 1/2	21 1/2
C6BH-(T,X) *24, *30, *35 B	17 1/2	26 3/4	16 1/8	8 3/8	2 3/4	23 1/2	21 1/2
C6BH-(T,X) *26, *36, *42 B	17 1/2	26 3/4	16 1/8	8 3/8	2 3/4	23 1/2	21 1/2
C6BA-(T,X) *30, *36, *42 C	21	26 3/4	19 5/8	11 7/8	2 3/4	23 1/2	21 1/2
C6BH-(T,X) *30, *36, *42 C	21	26 3/4	19 5/8	11 7/8	2 3/4	23 1/2	21 1/2
C6BA-(T,X) *37 *48, *60 C	21	30 1/4	19 5/8	11 7/8	3 1/4	27	25
C6BH-(T,X) *37 *48, *60 C	21	30 1/4	19 5/8	11 7/8	3 1/4	27	25
C6BA-(T,X) *42, *48, *60 D	24 1/2	30 1/4	23 1/8	15 3/8	3 1/4	27	25
C6BH-(T,X) *42, *48, *60 D	24 1/2	30 1/4	23 1/8	15 3/8	3 1/4	27	25

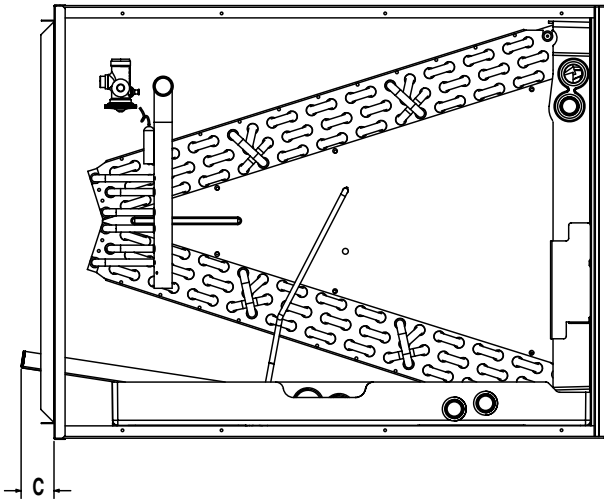


Figure 4. C6 Horizontal Left Configuration with Drain Pan Extension

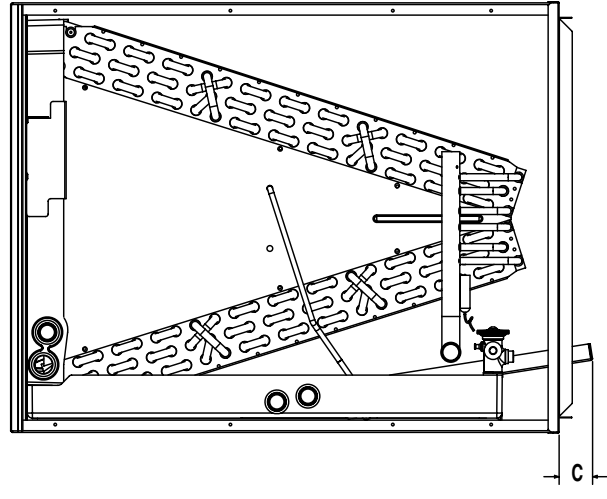


Figure 5. C6 Horizontal Right Configuration with Drain Pan Extension

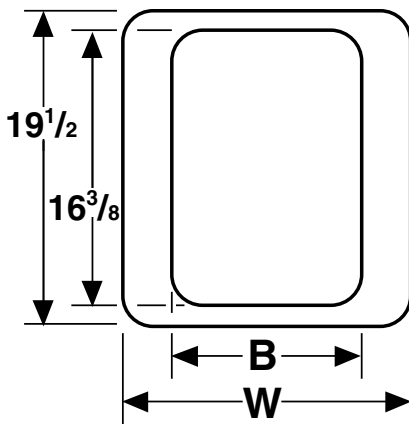


Figure 6. Drain Pan Dimensions

**DRAIN PAN—BOTTOM VIEW (SEE FIGURE 6)**

Dimension	A Cabinet	B Cabinet	C Cabinet	D Cabinet
<b>W</b>	12 3/4	16	19 1/2	23
<b>B</b>	6 5/8	9 7/8	12 3/8	16 7/8

**TXV Kits**

920662	R-22 2.0T
920663	R-22 2.5T
920664	R-22 3.0T
920665	R-22 3.5T
920666	R-22 4.0T
920667	R-22 5.0T
920668	R-410a 2.0T
920669	R-410a 2.5T
920670	R-410a 3.0T
920671	R-410a 3.5T
920672	R-410a 4.0T
920673	R-410a 5.0T

**CROSS REFERENCE: FACTORY INSTALLED TXV  
COIL VS. FLEX COIL PLUS TXV KITS**

Current SKU #	Current Model #	Refrigerant	Flex Coil SKU #	Flex Coil Model #	TXV Kit SKU #	Horizontal Drain Kit
920003	C6BA-T24C-A	R-22	920561	C6BA-F24C-A	920662	
920004	C6BA-T24U-A	R-22	920562	C6BA-F24U-A	920662	
920005	C6BH-T24C-A	R-22	920561	C6BA-F24C-A	920662	920265
920012	C6BA-T24C-B	R-22	920565	C6BA-F24C-B	920662	
920013	C6BA-T24U-B	R-22	920566	C6BA-F24U-B	920662	
920014	C6BH-T24C-B	R-22	920565	C6BA-F24C-B	920662	920265
920021	C6BA-T30C-A	R-22	920563	C6BA-F36C-A	920663	
920022	C6BA-T30U-A	R-22	920564	C6BA-F36U-A	920663	
920023	C6BH-T30C-A	R-22	920563	C6BA-F36C-A	920663	920265
920030	C6BA-T30C-B	R-22	920567	C6BA-F36C-B	920663	
920031	C6BA-T30U-B	R-22	920568	C6BA-F36U-B	920663	
920032	C6BH-T30C-B	R-22	920567	C6BA-F36C-B	920663	920265
920051	C6BA-T36C-B	R-22	920569	C6BA-F42C-B	920664	
920052	C6BA-T36U-B	R-22	920570	C6BA-F42U-B	920664	
920053	C6BH-T36C-B	R-22	920569	C6BA-F42C-B	920664	920266
920183	C6BA-T36C-C	R-22	920571	C6BA-F48C-C	920664	
920184	C6BA-T36U-C	R-22	920572	C6BA-F48U-C	920664	
920185	C6BH-T36C-C	R-22	920571	C6BA-F48C-C	920664	920266
920060	C6BA-T42C-B	R-22	920569	C6BA-F42C-B	920665	
920061	C6BA-T42U-B	R-22	920570	C6BA-F42U-B	920665	
920062	C6BH-T42C-B	R-22	920569	C6BA-F42C-B	920665	920266
920069	C6BA-T42C-C	R-22	920571	C6BA-F48C-C	920665	
920070	C6BA-T42U-C	R-22	920572	C6BA-F48U-C	920665	
920071	C6BH-T42C-C	R-22	920571	C6BA-F48C-C	920665	920266
920189	C6BA-T42C-D	R-22	920575	C6BA-F48C-D	920665	
920190	C6BA-T42U-D	R-22	920576	C6BA-F48U-D	920665	
920191	C6BH-T42C-D	R-22	920575	C6BA-F48C-D	920665	920267
920078	C6BA-T48C-C	R-22	920573	C6BA-F60C-C	920666	
920079	C6BA-T48U-C	R-22	920574	C6BA-F60U-C	920666	
920080	C6BH-T48C-C	R-22	920573	C6BA-F60C-C	920666	920267
920087	C6BA-T48C-D	R-22	920577	C6BA-F60C-D	920666	
920088	C6BA-T48U-D	R-22	920578	C6BA-F60U-D	920666	
920089	C6BH-T48C-D	R-22	920577	C6BA-F60C-D	920666	920267
920096	C6BA-T60C-C	R-22	920573	C6BA-F60C-C	920667	
920097	C6BA-T60U-C	R-22	920574	C6BA-F60U-C	920667	
920098	C6BH-T60C-C	R-22	920573	C6BA-F60C-C	920667	920267
920105	C6BA-T60C-D	R-22	920577	C6BA-F60C-D	920667	
920106	C6BA-T60U-D	R-22	920578	C6BA-F60U-D	920667	
920107	C6BH-T60C-D	R-22	920577	C6BA-F60C-D	920667	920267

**CROSS REFERENCE FACTORY INSTALLED  
TXV VS. FLEX COIL KIT (CONTINUED)**

Current SKU #	Current Model #	Refrigerant	Flex Coil SKU #	Flex Coil Model #	TXV Kit SKU #	Horizontal Drain Kit
920006	C6BA-X24C-A	R-410A	920561	C6BA-F24C-A	920668	
920007	C6BA-X24U-A	R-410A	920562	C6BA-F24U-A	920668	
920008	C6BH-X24C-A	R-410A	920561	C6BA-F24C-A	920668	920265
920015	C6BA-X24C-B	R-410A	920565	C6BA-F24C-B	920668	
920016	C6BA-X24U-B	R-410A	920566	C6BA-F24U-B	920668	
920017	C6BH-X24C-B	R-410A	920565	C6BA-F24C-B	920668	920265
920341	C6BA-X26C-B	R-410A	920569	C6BA-F42C-B	920668	
920342	C6BA-X26U-B	R-410A	920570	C6BA-F42U-B	920668	
920343	C6BH-X26C-B	R-410A	920569	C6BA-F42C-B	920668	920266
920024	C6BA-X30C-A	R-410A	920563	C6BA-F36C-A	920669	
920025	C6BA-X30U-A	R-410A	920564	C6BA-F36U-A	920669	
920026	C6BH-X30C-A	R-410A	920563	C6BA-F36C-A	920669	920265
920033	C6BA-X30C-B	R-410A	920567	C6BA-F36C-B	920669	
920034	C6BA-X30U-B	R-410A	920568	C6BA-F36U-B	920669	
920035	C6BH-X30C-B	R-410A	920567	C6BA-F36C-B	920669	920265
920036	C6BA-X35C-A	R-410A	920563	C6BA-F36C-A	920670	
920037	C6BA-X35U-A	R-410A	920564	C6BA-F36U-A	920670	
920038	C6BH-X35C-A	R-410A	920563	C6BA-F36C-A	920670	920265
920045	C6BA-X35C-B	R-410A	920567	C6BA-F36C-B	920670	
920046	C6BA-X35U-B	R-410A	920568	C6BA-F36U-B	920670	
920047	C6BH-X35C-B	R-410A	920567	C6BA-F36C-B	920670	920265
920054	C6BA-X36C-B	R-410A	920569	C6BA-F42C-B	920670	
920055	C6BA-X36U-B	R-410A	920570	C6BA-F42U-B	920670	
920056	C6BH-X36C-B	R-410A	920569	C6BA-F42C-B	920670	920266
920186	C6BA-X36C-C	R-410A	920571	C6BA-F48C-C	920670	
920187	C6BA-X36U-C	R-410A	920572	C6BA-F48U-C	920670	
920188	C6BH-X36C-C	R-410A	920571	C6BA-F48C-C	920670	920266
920884	C6BA-X37U-C	R-410A	920574	C6BA-F60U-C	920670	
920885	C6BA-X37C-C	R-410A	920573	C6BA-F60C-C	920670	
920886	C6BH-X37C-C	R-410A	920573	C6BA-F60C-C	920670	920267
920063	C6BA-X42C-B	R-410A	920569	C6BA-F42C-B	920671	
920064	C6BA-X42U-B	R-410A	920570	C6BA-F42U-B	920671	
920065	C6BH-X42C-B	R-410A	920569	C6BA-F42C-B	920671	920266
920072	C6BA-X42C-C	R-410A	920571	C6BA-F48C-C	920671	
920073	C6BA-X42U-C	R-410A	920572	C6BA-F48U-C	920671	
920074	C6BH-X42C-C	R-410A	920571	C6BA-F48C-C	920671	920266

**CROSS REFERENCE FACTORY INSTALLED  
TXV VS. FLEX COIL KIT (CONTINUED)**

<b>Current SKU #</b>	<b>Current Model #</b>	<b>Refrigerant</b>	<b>Flex Coil SKU #</b>	<b>Flex Coil Model #</b>	<b>TXV Kit SKU #</b>	<b>Horizontal Drain Kit</b>
920192	C6BA-X42C-D	R-410A	920575	C6BA-F48C-D	920671	
920193	C6BA-X42U-D	R-410A	920576	C6BA-F48U-D	920671	
920194	C6BH-X42C-D	R-410A	920575	C6BA-F48C-D	920671	920267
920457	C6BA-X47C-B	R-410A	920569	C6BA-F42C-B	920672	
920458	C6BA-X47U-B	R-410A	920570	C6BA-F42U-B	920672	
920459	C6BH-X47C-B	R-410A	920569	C6BA-F42C-B	920672	920266
920460	C6BA-X47C-C	R-410A	920571	C6BA-F48C-C	920672	
920461	C6BA-X47U-C	R-410A	920572	C6BA-F48U-C	920672	
920462	C6BH-X47C-C	R-410A	920571	C6BA-F48C-C	920672	920266
920081	C6BA-X48C-C	R-410A	920573	C6BA-F60C-C	920672	
920082	C6BA-X48U-C	R-410A	920574	C6BA-F60U-C	920672	
920083	C6BH-X48C-C	R-410A	920573	C6BA-F60C-C	920672	920267
920090	C6BA-X48C-D	R-410A	920577	C6BA-F60C-D	920672	
920091	C6BA-X48U-D	R-410A	920578	C6BA-F60U-D	920672	
920092	C6BH-X48C-D	R-410A	920577	C6BA-F60C-D	920672	920267
920099	C6BA-X60C-C	R-410A	920573	C6BA-F60C-C	920673	
920100	C6BA-X60U-C	R-410A	920574	C6BA-F60U-C	920673	
920101	C6BH-X60C-C	R-410A	920573	C6BA-F60C-C	920673	920267
920108	C6BA-X60C-D	R-410A	920577	C6BA-F60C-D	920673	
920109	C6BA-X60U-D	R-410A	920578	C6BA-F60U-D	920673	
920110	C6BH-X60C-D	R-410A	920577	C6BA-F60C-D	920673	920267

