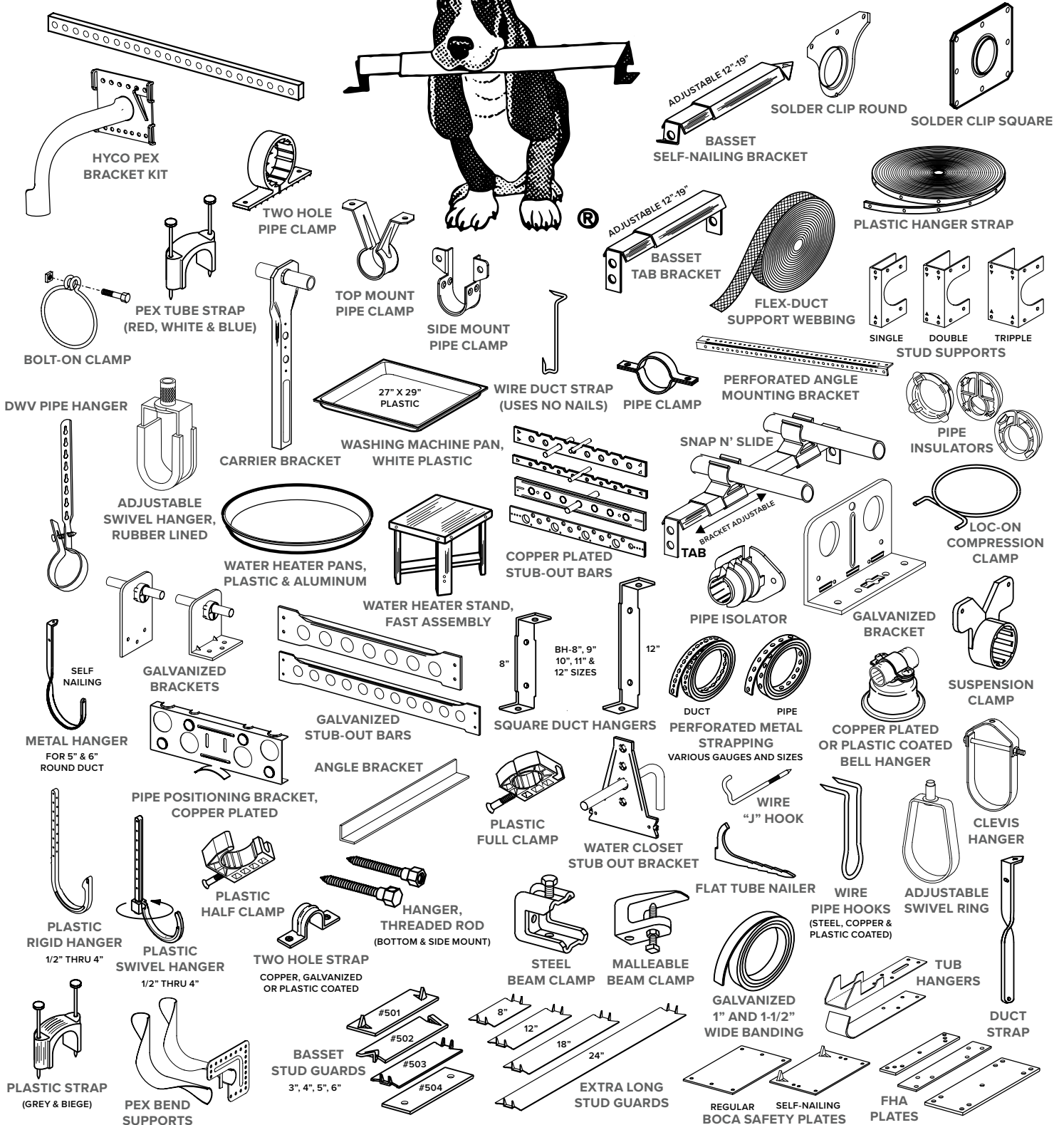
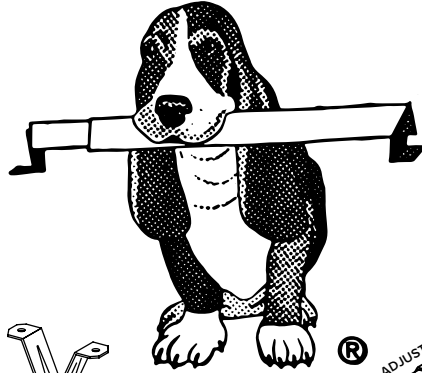


BASSET PRODUCTS

FULL LINE CATALOG C&S MANUFACTURING CORPORATION



“

**WE ARE A FAMILY-
OWNED AND
OPERATED COMPANY;
WE CARE ABOUT OUR
CUSTOMERS AND
EMPLOYEES.**

John D. Collins (1930-2012)

C & S MANUFACTURING CORPORATION

Jim Collins

President

Luke Collins

Vice President

Jerry Mellenberger

General Manager

Zane Statz

Director of Sales & Marketing

Terry Bailey

Office Manager

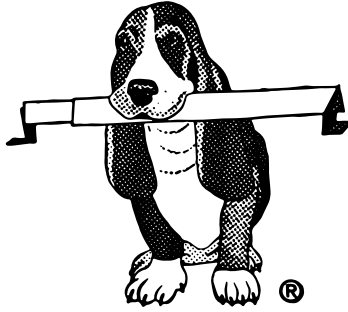
Katie Bader

Administrative Assistant

Anne Mueller

Administrative Assistant

P.O. BOX 736 | STURGEON BAY, WI 54235
PHONE: (800) 959-0374 | FAX: (920) 743-7432
E-MAIL: INFO@BASSETPRODUCTS.COM
WEBSITE: WWW.BASSETPRODUCTS.COM



AMERICAN MANUFACTURING AT ITS FINEST.

C&S Manufacturing Corporation was founded over 60 years ago in May of 1962 by John D. Collins who worked many previous years as a Heating Contractor in the family heating business. After obtaining a patent on his unique "Basset Bracket" the company was dedicated to the manufacturing and selling of time and labor-saving products initially for the HVAC industry.

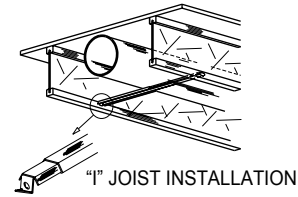
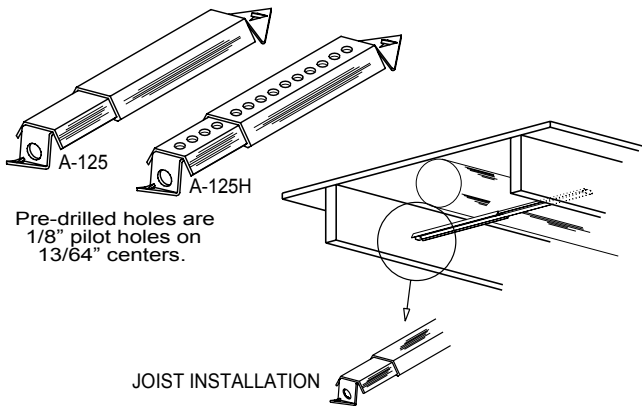
As business grew and new labor-saving ideas were developed, the company expanded into the plumbing industry with similar labor saving and code required products. The Basset Product Line of C&S Manufacturing is well known in these industries and is now stocked by over 2,500 Plumbing and HVAC wholesalers throughout the country. Basset Products are known for their quality.

C&S Manufacturing is committed to the "On Time" shipment of products through the wholesale distribution channel to be available to the contractor when needed.



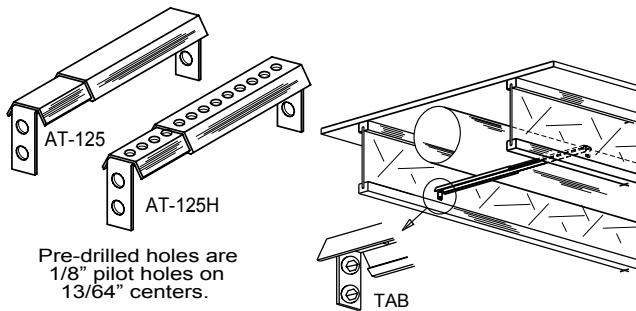
MADE IN U.S.A.

BASSET BRACKET, SELF NAILING



PART NO.	TYPE	LENGTH ADJUST.	MATERIAL	CARTON QUANTITY	WT./CTN. (Lbs.)
A-125	Regular	12" to 19"	Galv.	25	5
A-125H	Regular-Holes	12" to 19"	Galv.	25	5
A-150	Regular	12" to 19"	Galv.	50	10
C-125	Regular	12" to 19"	Cu. Plated	25	5
C-125H	Regular-Holes	12" to 19"	Cu. Plated	25	5
E-125C	Extra Long	19" to 26"	Cu. Plated	25	9
E-125G	Extra Long	19" to 26"	Galv.	25	9

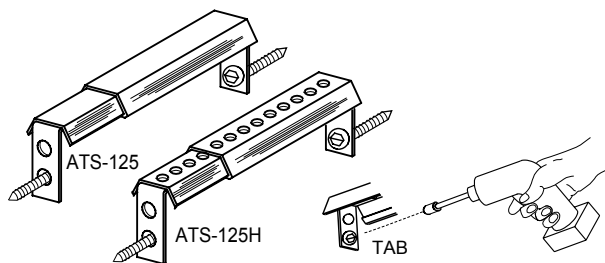
BASSET BRACKET, TAB



For use where a screw tab is preferred to self-nailing.

PART NO.	TYPE	LENGTH ADJUST.	MATERIAL	CARTON QUANTITY	WT./CTN. (Lbs.)
AT-125	Regular	12" to 19"	Galv.	25	5
AT-125H	Regular-Holes	12" to 19"	Galv.	25	5
AT-150	Regular	12" to 19"	Galv.	50	10
CT-125	Regular	12" to 19"	Cu. Plated	25	5
CT-125H	Regular-Holes	12" to 19"	Cu. Plated	25	5
ET-125C	Extra Long	19" to 26"	Cu. Plated	25	8
ET-125G	Extra Long	19" to 26"	Galv.	25	8

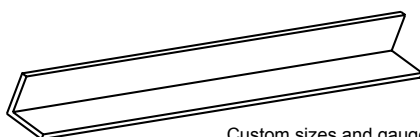
BASSET BRACKET, TAB, W/ PRE-LOADED SCREWS



Tab with pre-loaded model allows for easy installation into center section of "I" joist

PART NO.	TYPE	LENGTH ADJUST.	MATERIAL	CARTON QUANTITY	WT./CTN. (Lbs.)
ATS-125	Regular	12" to 19"	Galv.	25	5
ATS-125H	Regular-Holes	12" to 19"	Galv.	25	5
ATS-150	Regular	12" to 19"	Galv.	50	10
CTS-125	Regular	12" to 19"	Cu. Plated	25	5
CTS-125H	Regular-Holes	12" to 19"	Cu. Plated	25	5
ETS-125C	Extra Long	19" to 26"	Cu. Plated	25	8
ETS-125G	Extra Long	19" to 26"	Galv.	25	8

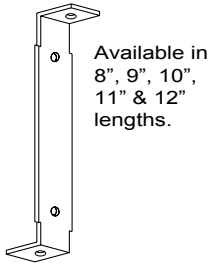
BRACKET, ANGLE



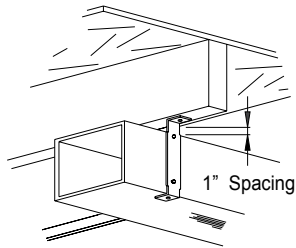
PART NUMBER	MATERIAL	GAUGE	WIDTH/LENGTH	CARTON QUANTITY	WT./CTN. (Lbs.)
AB-218	Galv. Steel	22	1-1/2" x 1-1/2" x 18"	50	26
AB-222	Galv. Steel	24	1-1/2" x 1-1/2" x 18"	50	22
AB-318	Galv. Steel	24	1" x 3" x 18"	50	29

HANGERS

HANGER, SQUARE DUCT



Available in 8", 9", 10", 11" & 12" lengths.



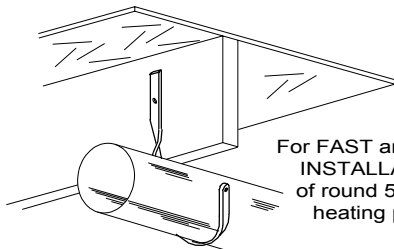
8" to 12" Hanger for standard or larger supply and return runs.
Used on both Hot Air Supply and Cold Air Return ducts.

PART NUMBER:	BH-8	BH-9	BH-10	BH-11	BH-12
LENGTH:	8"	9"	10"	11"	12"
MATERIAL:	Galv. Steel	Galv. Steel	Galv. Steel	Galv. Steel	Galv. Steel
GAUGE:	18	18	18	18	18
QUANTITY PER CARTON:	100	100	100	100	100
WT. PER CARTON (Lbs.)	10	12	14	15	16

HANGER, ROUND DUCT



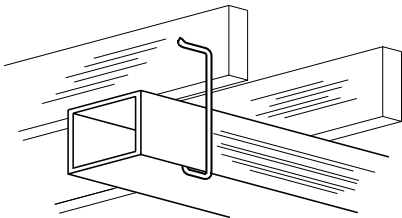
Self Nailing



For FAST and EASY INSTALLATION of round 5" or 6" heating pipes

PART NUMBER:	BH-2
DIAMETER:	5" or 6"
MATERIAL:	Galv. Steel
GAUGE:	18
QUANTITY PER CARTON:	50
WT. PER CARTON (Lbs.)	5

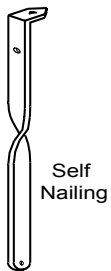
HANGER, WIRE DUCT STRAP



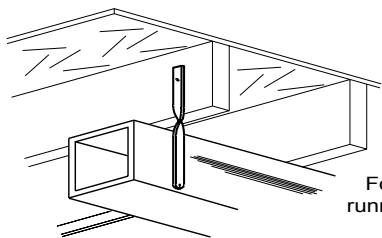
Used for suspending square duct without the use of nails, rivets or screws.

PART NUMBER:	GWS-49	GWS-412
LENGTH:	9"	12"
MATERIAL:	Galv. Steel	Galv. Steel
GAUGE:	9	9
QUANTITY PER CARTON:	100	100
WT. PER CARTON (Lbs.)	6	8

HANGER, DUCT STRAP



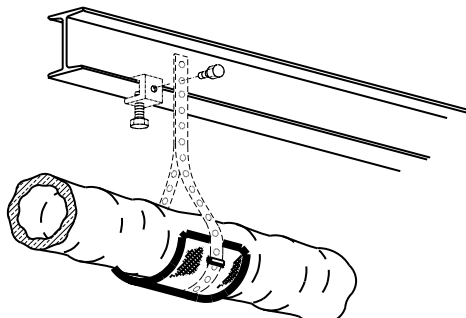
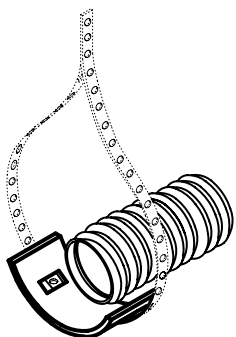
Self Nailing



For all square ducts running below the joists

PART NUMBER:	DS-3
MATERIAL:	Galv. Steel
GAUGE:	18
QUANTITY PER CARTON:	100
WT. PER CARTON (Lbs.)	5

HANGER, FLEX-DUCT SADDLE

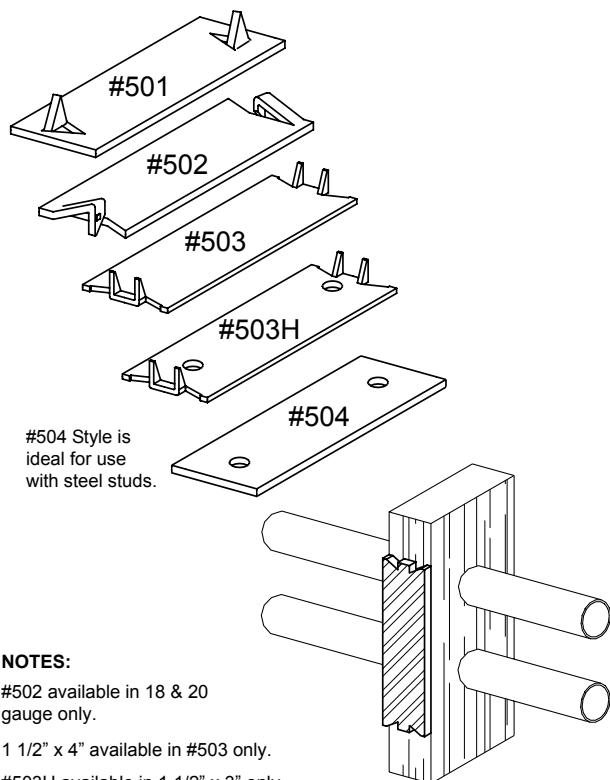


For use in supporting flexible duct work where a metal support is preferred or required over plastic or mesh.

Designed to be used with Basset 3/4" wide strapping. Strapping not included. (See page 200-04)

PART NUMBER:	FDS-9	FDS-12
SIZE:	9" x 4"	12" x 4"
MATERIAL:	Galv. Steel	Galv. Steel
GAUGE:	30	30
QUANTITY PER CARTON:	25	25
WT. PER CARTON (Lbs.)	4	6

STUD GUARDS, 1-1/2" WIDE



NOTES:

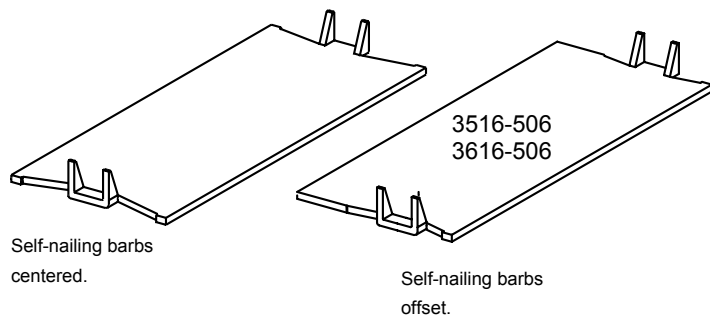
#502 available in 18 & 20 gauge only.

1 1/2" x 4" available in #503 only.

#503H available in 1 1/2" x 3" only.

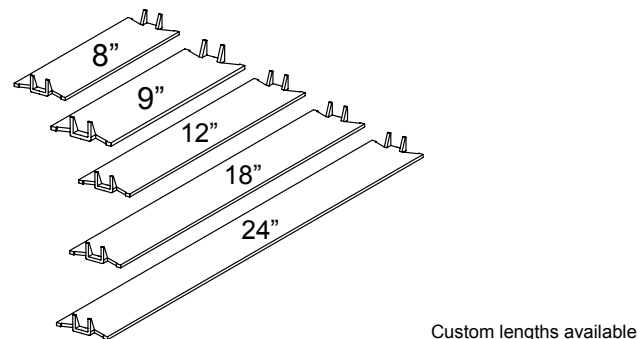
PART NUMBER	GAUGE	WIDTH/LENGTH	CARTON QUANTITY	WT./CTN. (Lbs.)
316-501 316-503 316-503H 316-504	16	1-1/2" x 3"	100	8
318-501 318-502 318-503 318-503H 318-504	18	1-1/2" x 3"	100	6
320-501 320-502 320-503 320-503H 320-504	20	1-1/2" x 3"	100	5
416-503	16	1-1/2" x 4"	100	10
418-503	18	1-1/2" x 4"	100	8
420-503	20	1-1/2" x 4"	100	6
516-501 516-503 516-504	16	1-1/2" x 5"	100	13
518-501 518-502 518-503 518-504	18	1-1/2" x 5"	100	10
520-501 520-502 520-503 520-504	20	1-1/2" x 5"	100	8
616-501 616-503 616-504	16	1-1/2" x 6"	100	16
618-501 618-502 618-503 618-504	18	1-1/2" x 6"	100	10
620-501 620-502 620-503 620-504	20	1-1/2" x 6"	100	9

STUD GUARDS, 2" & 3" WIDE



PART NUMBER	GAUGE	WIDTH/LENGTH	CARTON QUANTITY	WT./CTN. (Lbs.)
2516-503	16	2" x 5"	100	17
2518-503	18	2" x 5"	100	14
2616-503	16	2" x 6"	100	20
2618-503	18	2" x 6"	100	17
3316-503	16	3" x 3"	100	16
3318-503	18	3" x 3"	100	12
3516-503	16	3" x 5"	100	24
3518-503	18	3" x 5"	100	20
3616-503	16	3" x 6"	100	32
3618-503	18	3" x 6"	100	25
3516-506	16	3" x 5"	100	24
3616-506	16	3" x 6"	100	32

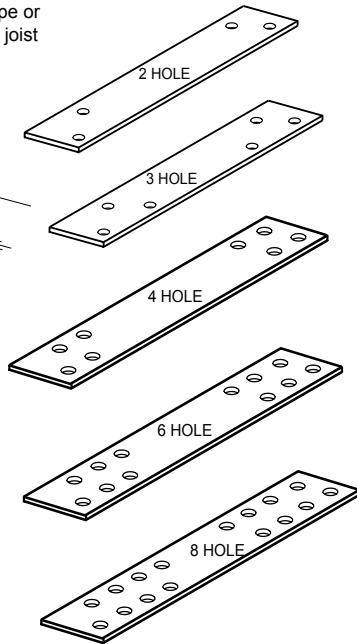
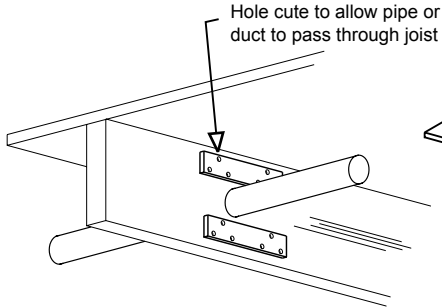
STUD GUARDS, EXTRA LONG, 1-1/2" WIDE



PART NUMBER	GAUGE	WIDTH/LENGTH	CARTON QUANTITY	WT./CTN. (Lbs.)
816-503	16	1-1/2" x 8"	50	11
916-503	16	1-1/2" x 9"	50	12
1216-503	16	1-1/2" x 12"	50	16
1816-503	16	1-1/2" x 18"	50	23
2416-503	16	1-1/2" x 24"	50	32
818-503	18	1-1/2" x 8"	50	9
1218-503	18	1-1/2" x 12"	50	13
1818-503	18	1-1/2" x 18"	50	19
2418-503	18	1-1/2" x 24"	50	25
820-503	20	1-1/2" x 8"	50	7
1220-503	20	1-1/2" x 12"	50	9
1820-503	20	1-1/2" x 18"	50	14
2420-503	20	1-1/2" x 24"	50	13

SAFETY PLATES

NAIL PLATE, FHA-100, 1 1/2" WIDE

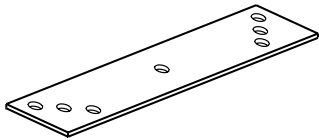


CEILING OR FLOOR JOIST

- Four reinforcement plates (2 each side of joist) are required for maximum strength.
- 6" FHA plates have only 2 holes on each end.
- 9" FHA plates have 6 and 8 hole configurations stacked vertically.
- "3, 4, 6 or 8 HOLE" noted on plates indicates number of hole each end of plate.
- Include desired number of holes per side at end of part number.
- If number of holes are not specified, 3 holes per side will be shipped.

PART NUMBER	GAUGE	WIDTH/LENGTH	CTY. QTY.	WT./CTN. (Lbs.)
FHA-100-612	12	1-1/2" x 6"	50	15
FHA-100-912	12	1-1/2" x 9"	50	20
FHA-100-1212	12	1-1/2" x 12"	50	27
FHA-100-1812	12	1-1/2" x 18"	50	41
FHA-100-2412	12	1-1/2" x 24"	50	54
FHA-100-614	14	1-1/2" x 6"	50	10
FHA-100-914	14	1-1/2" x 9"	50	14
FHA-100-1214	14	1-1/2" x 12"	50	19
FHA-100-1814	14	1-1/2" x 18"	50	28
FHA-100-2414	14	1-1/2" x 24"	50	38
FHA-100-616	16	1-1/2" x 6"	50	8
FHA-100-916	16	1-1/2" x 9"	50	12
FHA-100-1216	16	1-1/2" x 12"	50	15
FHA-100-1816	16	1-1/2" x 18"	50	23
FHA-100-2416	16	1-1/2" x 24"	50	30
FHA-100-2816	16	1-1/2" x 28"	50	35
FHA-100-618	18	1-1/2" x 6"	50	7
FHA-100-918	18	1-1/2" x 9"	50	10
FHA-100-1218	18	1-1/2" x 12"	50	13
FHA-100-1618	18	1-1/2" x 16"	50	17
FHA-100-1818	18	1-1/2" x 18"	50	19
FHA-100-2418	18	1-1/2" x 24"	50	26
FHA-100-3218	18	1-1/2" x 32"	50	34

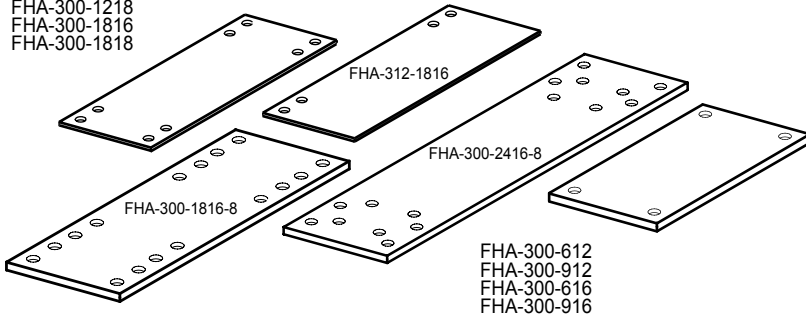
NAIL PLATE, FHA-200, 1 1/2" WIDE



PART NUMBER	GAUGE	WIDTH/LENGTH	CTN. QTY.	WT./CTN. (Lbs.)	PRICE
FHA-200	18	1-1/2" x 18"	50	19	\$0.4628

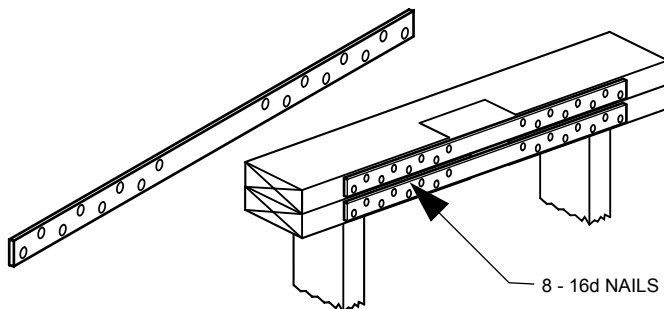
NAIL PLATE, FHA-300, 3" WIDE, FHA-312, 3 1/2" WIDE

FHA-300-1216
FHA-300-1218
FHA-300-1816
FHA-300-1818



PART NUMBER	GAUGE	WIDTH/LENGTH	CTN. QTY.	WT./CTN. (Lbs.)
FHA-300-612	12	3" x 6"	25	13
FHA-300-912	12	3" x 9"	25	20
FHA-300-616	16	3" x 6"	25	8
FHA-300-916	16	3" x 9"	25	12
FHA-300-1216	16	3" x 12"	25	15
FHA-300-1816	16	3" x 18"	25	23
FHA-300-1816-8	16	3" x 18"	25	23
FHA-312-1816	16	3-1/2" x 18"	25	26
FHA-300-2416-8	16	3" x 24"	25	30
FHA-300-1218	18	3" x 12"	25	13
FHA-300-1818	18	3" x 18"	25	19

NAIL PLATE, FHA-400, 1 1/2" WIDE



MATERIAL: 16 GA. GALVANIZED STEEL.

PLUMBING

Available in 18" lengths to reinforce etop plate when notched for vertical DWV installation.

HEATING

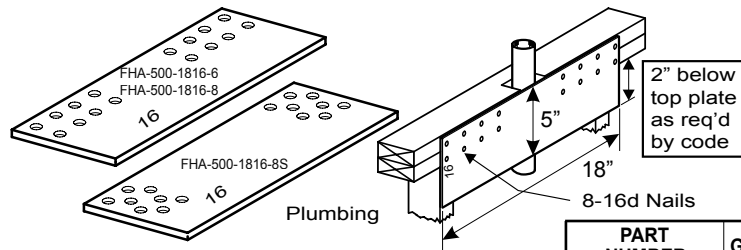
Available in 24" lengths to reinforce top plate when notched for vertical air duct installations.

- Complies with international residential code R602.6.1 "drilling or notching of top plate".
- 8 hole pattern positioned on each end of FHA plate as required by code.

PART NUMBER	GAUGE	WIDTH/LENGTH	MAX. NOTCH WIDTH	CTN. QTY.	WT./CTN. (Lbs.)
FHA-400-1816	16	1-1/2" x 18"	5-1/2"	50	23
FHA-400-2416	16	1-1/2" x 24"	11"	50	30

SAFETY PLATES, STUD SUPPORTS

NAIL PLATE, FHA-500, 5" WIDE



PLUMBING

- Available in 18" lengths to reinforce top plate when notched for vertical DWV installation.

HEATING

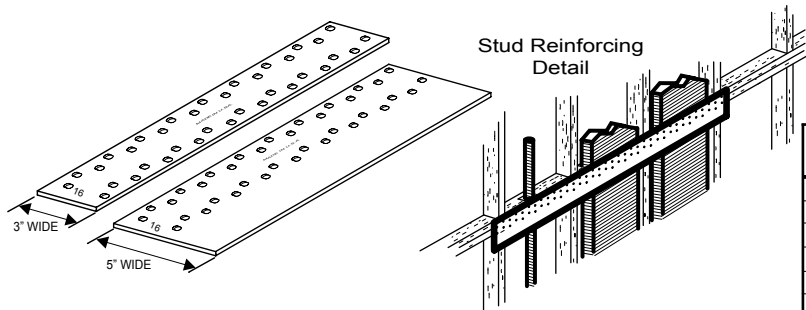
- Available in 18" lengths to reinforce top plate when notched for vertical air duct installations.
- Complies with International Residential Code R602.6.1, "Drilling or Notching of Top Plate".
- 8 hole pattern positioned on each end of FHA plate as required by codes.
- State or Local code may require all nail holes to be filled.
- All plates stamped with a "16" as required by code.

Meets Boca Code 309.2
Meets Int'l Code 305.8

MATERIAL: 16 GA. STEEL.

PART NUMBER	GAUGE	WIDTH/LENGTH	HOLES PER SIDE	MAX. NOTCH WIDTH	CARTON QUANTITY	WT./CTN. (Lbs.)
FHA-500-1816-6	16	5" x 18"	6	11"	25	37
FHA-500-1816-8	16	5" x 18"	8	11"	25	37
FHA-500-1816-8S	16	5" x 18"	8	12"	25	37

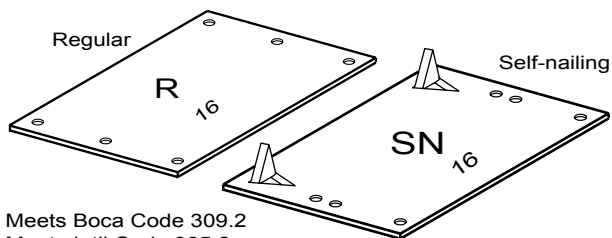
NAIL PLATE, FHA-28, FHA-40 & FHA-52, EXTRA LONG



- Mend single, double or triple stud cavities with one plate.
- Custom nail hole pattern available on request.

PART NUMBER	GAUGE	WIDTH/LENGTH	CARTON QUANTITY	WT./CTN. (Lbs.)
FHA-28-30	16	3" x 28"	20	29
FHA-28-50	16	5" x 28"	10	24
FHA-40-30	16	3" x 40"	15	31
FHA-40-50	16	5" x 40"	10	34
FHA-52-30	16	3" x 52"	10	27
FHA-52-50	16	5" x 52"	5	22

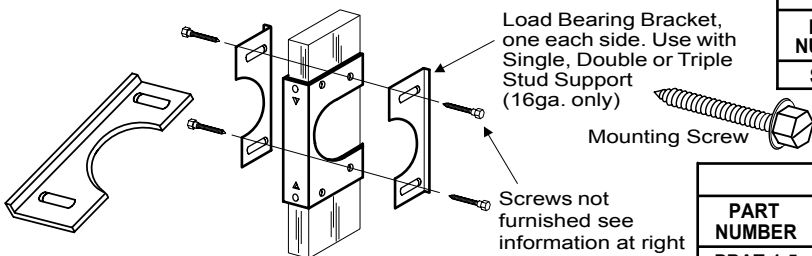
PLATE, BOCA SAFETY



Meets Boca Code 309.2
Meets Int'l Code 305.8

PART NUMBER	GAUGE	WIDTH/LENGTH	CARTON QUANTITY	WT./CTN. (Lbs.)
P58-16-R	16	5" x 8"	50	34
P58-16SN	16	5" x 8"	50	34
P66-16-R	16	6" x 6"	50	30
P68-16SN	16	6" x 8"	50	40
P68-16-R	16	6" x 8"	50	40
P3125-16SN	16	3-1/2" x 5"	50	16
P3126-16SN	16	3-1/2" x 6"	50	17
P3126-16-R	16	3-1/2" x 6"	50	21
P3128-16SN	16	3-1/2" x 8"	50	23
P812-16-R	16	8" x 12"	25	40

PLATE, RE-INFORCING, STUD SUPPORT & MOUNTING SCREW



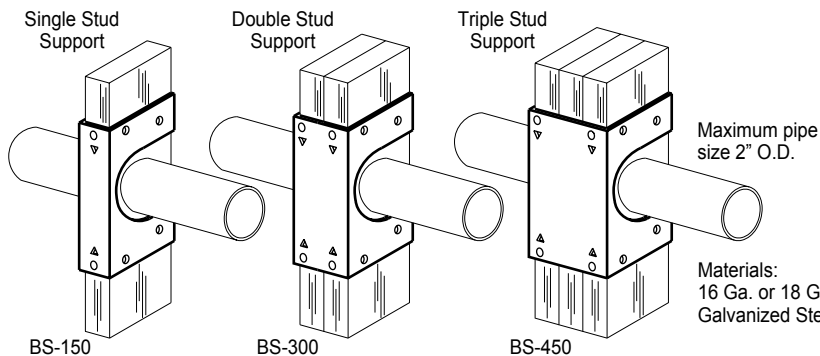
RE-INFORCING PLATE

PART NUMBER	MATERIAL	GAUGE	CARTON QUANTITY	WT./CTN. (Lbs.)
SSRP	Galv.	16	24	2

MOUNTING SCREW

PART NUMBER	MATERIAL	SIZE	LENGTH	CARTON QUANTITY	WT./CTN. (Lbs.)
PBAT-1-5	Zinc	10-12	3/4"	100	1

PLATE, STUD

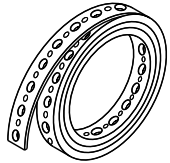


- One hammer blow will sink the two bars to hold the support for nailing.
- Use anywhere pipe runs through a stud.
- Recommended fasteners:
10d x 1 1/2" for BS-150 and BS-300;
10d x 3" for BS-450.

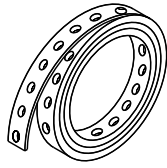
PART NUMBER	SIZE WIDTH	GA.	CARTON QUANTITY	WT./CTN. (Lbs.)
BS-150-16	1.51"	16	25	14
BS-300-16	3.1"	16	25	18
BS-450-16	4.6"	16	10	11
BS-150-18	1.51"	18	25	10
BS-300-18	3.1"	18	25	14
BS-450-18	4.6"	18	10	8

STRAPPING

STRAPPING, PERFORATED PIPE AND DUCT



Ductstrap
(1/4" & 9/64" Holes)



Pipestrap
(1/4" Holes)

Basset 3/4" Perforated Strap

- Custom lengths and gauges available.
- Virtually burr free with no sharp edges, the best hanger strap in the industry.

Note: All weights approximate due to varying thickness of material.

3/4" x 10" Rolls

10 ROLLS/CARTON	20 GA. BLACK	22 GA. BLACK	24 GA. BLACK	20 GA. GALV.	24 GA. GALV.	28 GA. GALV.	24 GA. COPPER PLATED
PIPE STRAP PART#	PS10-10-20B	PS10-10-22B	PS10-10-24B	PS10-10-20G	PS10-10-24G	PS10-10-28G	PS10-10-24C
DUCT STRAP PART#	DS10-10-20B	DS10-10-22B	DS10-10-24B	DS10-10-20G	DS10-10-24G	DS10-10-28G	DS10-10-24C
WEIGHT/CTN. (Lbs.)	9	7	6	8	5	4	6

3/4" x 25" Rolls

6 ROLLS/CARTON	20 GA. BLACK	22 GA. BLACK	24 GA. BLACK	20 GA. GALV.	24 GA. GALV.	28 GA. GALV.	24 GA. COPPER PLATED
PIPE STRAP PART#	PS25-6-20B	PS25-6-22B	PS25-6-24B	PS25-6-20G	PS25-6-24G	PS25-6-28G	PS25-6-24C
DUCT STRAP PART#	DS25-6-20B	DS25-6-22B	DS25-6-24B	DS25-6-20G	DS25-6-24G	DS25-6-28G	DS25-6-24C
WEIGHT/CTN. (Lbs.)	12	11	9	13	8	6	9

3/4" x 50" Rolls

1 ROLL/CARTON	20 GA. BLACK	22 GA. BLACK	24 GA. BLACK	20 GA. GALV.	24 GA. GALV.	28 GA. GALV.	24 GA. COPPER PLATED
PIPE STRAP PART#	PS50-1-20B	PS50-1-22B	PS50-1-24B	PS50-1-20G	PS50-1-24G	PS50-1-28G	PS50-1-24C
DUCT STRAP PART#	DS50-1-20B	DS50-1-22B	DS50-1-24B	DS50-1-20G	DS50-1-24G	DS50-1-28G	DS50-1-24C
WEIGHT/CTN. (Lbs.)	4	4	3	5	3	2	3

3/4" x 100" Rolls

1 ROLL/CARTON	20 GA. BLACK	22 GA. BLACK	24 GA. BLACK	20 GA. GALV.	24 GA. GALV.	28 GA. GALV.	24 GA. COPPER PLATED
PIPE STRAP PART#	PS100-1-20B	PS100-1-22B	PS100-1-24B	PS100-1-20G	PS100-1-24G	PS100-1-28G	PS100-1-24C
DUCT STRAP PART#	DS100-1-20B	DS100-1-22B	DS100-1-24B	DS100-1-20G	DS100-1-24G	DS100-1-28G	DS100-1-24C
WEIGHT/CTN. (Lbs.)	8	7	5	9	6	5	6

5 ROLLS/CARTON	20 GA. BLACK	22 GA. BLACK	24 GA. BLACK	20 GA. GALV.	24 GA. GALV.	28 GA. GALV.	24 GA. COPPER PLATED
PIPE STRAP PART#	PS100-5-20B	PS100-5-22B	PS100-5-24B	PS100-5-20G	PS100-5-24G	PS100-5-28G	PS100-5-24C
DUCT STRAP PART#	DS100-5-20B	DS100-5-22B	DS100-5-24B	DS100-5-20G	DS100-5-24G	DS100-5-28G	DS100-5-24C
WEIGHT/CTN. (Lbs.)	40	35	25	45	30	25	30

3/4" x 10" Bulkpak

100 ROLLS/CARTON	20 GA. BLACK	22 GA. BLACK	24 GA. BLACK	20 GA. GALV.	24 GA. GALV.	28 GA. GALV.	24 GA. COPPER PLATED
PIPE STRAP PART#	PS10-100-20B	PS10-100-22B	PS10-100-24B	PS10-100-20G	PS10-100-24G	PS10-100-28G	PS10-100-24C
DUCT STRAP PART#	DS10-100-20B	DS10-100-22B	DS10-100-24B	DS10-100-20G	DS10-100-24G	DS10-100-28G	DS10-100-24C
WEIGHT/CTN. (Lbs.)	76	70	60	76	62	40	57

STRAPPING, PREFORATED DUCT, TRIPLE 'B'

Basset 5/8" Perforated Triple 'B' Duct Strap

- Light duty, economical duct strap - The Triple 'B'
- 5/8" wide, available in 10', 25', 50' and 100' lengths.
- No need for tin snips to cut to length. Just crease the Triple 'B' at desired separation point, bend back and forth and break.

5/8" x 10' ROLLS

10 ROLLS/CARTON	28 GA. GALV
TRIPLE "B" PART#	DS10-10-28G-58
WEIGHT/CTN. (Lbs.)	3.5

5/8" x 100' ROLLS

1 ROLL/CARTON	28 GA. GALV
TRIPLE "B" PART#	DS100-1-28G-58
WEIGHT/CTN. (Lbs.)	3.5

5/8" x 25' ROLLS

6 ROLLS/CARTON	28 GA. GALV
TRIPLE "B" PART#	DS25-6-28G-58
WEIGHT/CTN. (Lbs.)	5

5/8" x 100' ROLLS

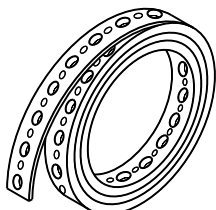
5 ROLLS/CARTON	28 GA. GALV
TRIPLE "B" PART#	DS100-5-28G-58
WEIGHT/CTN. (Lbs.)	20

5/8" x 50' ROLLS

1 ROLL/CARTON	28 GA. GALV
TRIPLE "B" PART#	DS50-1-28G-58
WEIGHT/CTN. (Lbs.)	1.7

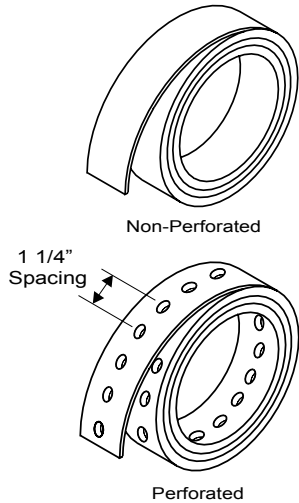
5/8" x 10' BULKPAK

100 ROLLS/CARTON	28 GA. GALV
TRIPLE "B" PART#	DS10-100-28G-58
WEIGHT/CTN. (Lbs.)	34



Hanger Strap
(1/4" & 3/16" Holes)

BANDING, STEEL, 1" AND 1 1/2" WIDE

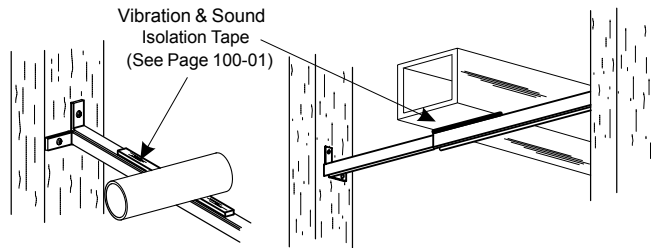


- * Available with or without 1/4" bolt holes.
- * Add (H) at end of part number if bolt holes are required.

1" x 10' ROLLS			ROLLS *		1-1/2" x 80'		1-1/2" x 100'	
PART NUMBER:	BD10-10-30B	BD10-10-30G	PART NUMBER:	BD1-80-26G-112	BD1-100-26G-112			
TYPE:	Non-Perforated	Non-Perforated	TYPE:	w/-w.o. 1/4" Bolt Holes	w/-w.o. 1/4" Bolt Holes			
FINISH:	Black	Galv.	FINISH:	Galv.	Galv.			
GAUGE:	30	30	GAUGE:	26	26			
CARTON QUANTITY:	10 Rolls	10 Rolls	CARTON QUANTITY:	1 Roll	1 Roll			
LENGTH:	10'	10'	LENGTH:	80'	100'			
WEIGHT/CTN (Lbs.)	6	6	WEIGHT/CTN (Lbs.)	8	10			

1" x 100' ROLLS			ROLLS *		1-1/2" x 80'		1-1/2" x 100'	
PART NUMBER:	BD1-100-30B	BD1-100-30G	PART NUMBER:	BD1-80-28G-112	BD1-100-28G-112			
TYPE:	Non-Perforated	Non-Perforated	TYPE:	w/-w.o. 1/4" Bolt Holes	w/-w.o. 1/4" Bolt Holes			
FINISH:	Black	Galv.	FINISH:	Galv.	Galv.			
GAUGE:	30	30	GAUGE:	28	28			
CARTON QUANTITY:	1 Roll	1 Roll	CARTON QUANTITY:	1 Roll	1 Roll			
LENGTH:	100'	100'	LENGTH:	80'	100'			
WEIGHT/CTN (Lbs.)	6	6	WEIGHT/CTN (Lbs.)	6	8			

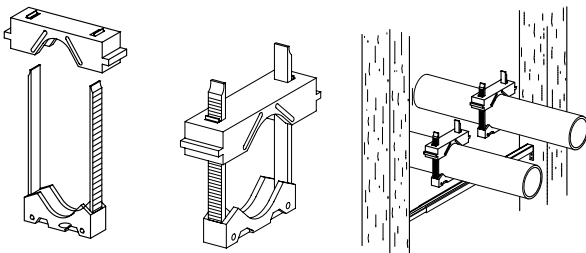
BASSET SLIDER BRACKET, TAB



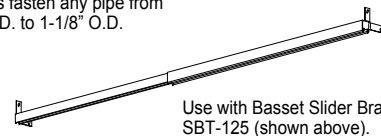
- Adjustable duct and pipe support bracket.
- Supports round and square HVAC ducting, drain pipe and water lines.
- Slides to fit almost any opening.
- Screw tab design enables installation in both steel and wood studs.

PART NUMBER	MATERIAL	LENGTH ADJUSTABLE	CARTON QUANTITY	WT./CTN. (Lbs.)	LIST PRICE
SBT-125	Galv.	14" to 26"	25	8	\$0.9962

CLAMP, UNIVERSAL PIPE POSITIONING



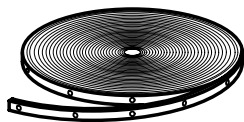
- Clamps fasten any pipe from 1/4" O.D. to 1-1/8" O.D.



Use with Basset Slider Bracket SBT-125 (shown above).

PART NUMBER	DESCRIPTION	WT./CTN. (Lbs.)	CARTON QUANTITY	LIST PRICE
UC-100-5	1-BRIDGE, 1 BASE AND 1-BASE INSERT PER BAG	4	100	\$0.7372

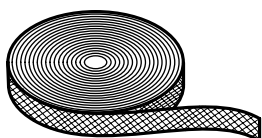
HANGER, PLASTIC STRAP



- 3/4" wide x .050" thick, load tested to 125 lbs.
- Flexible, non-conductive, non-abrasive.
- ASTM-307-77.
- 1/8" holes - 3/4" spacing.
- Supplied in handy dispenser bag.
- Uses: pipe hanger, duct hanger tubing strap, utility strap, etc.
- Cut to length with scissors or utility knife.

3/4" x 100' ROLLS		
PART NUMBER:	PHS-1-5	PHS-20-5
TYPE:	Polyethylene	Polyethylene
THICKNESS:	.050"	.050"
CARTON QUANTITY:	1	20
LENGTH:	100'	100'
WEIGHT/CTN (Lbs.)	2	40

SUPPORT, WEBBING, FLEX-DUCT

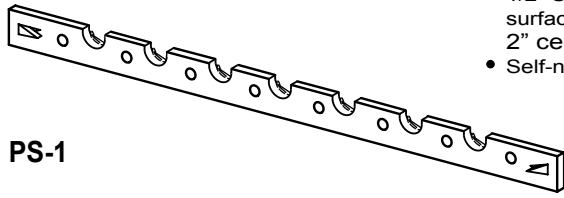


- Polypropylene support webbing for hanging Flex-Duct.
- Lower installation costs reduces time.
- Cut with scissors or utility knife.
- Chemical, electrical and moisture resistant.
- Meets Flame Retardant Standards UL 723 and ASTM E84.
- Tensile Strength: 1 3/4" - 440 lbs. average; 3" - 640 lbs. average.

3/4" x 100' ROLLS		
PART NUMBER:	FSW-1-5	FSW-3-5
TYPE:	Polypropylene	Polypropylene
WIDTH:	1-3/4"	3"
LENGTH:	300'	300'
COLOR:	Black	Black
TENSILE STRENGTH (Lbs.):	440	640
CARTON QUANTITY:	24	8
WEIGHT/CTN (Lbs.)	38	23

STUB-OUT BARS

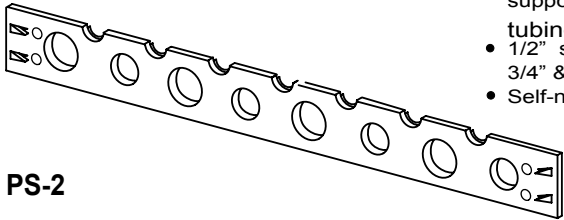
PIPE SUPPORTS



- 1/2" Snap in feature w/extruded surface holds 1/2" tubing on 2" centers.
- Self-nailing, no nails required.

PS-1

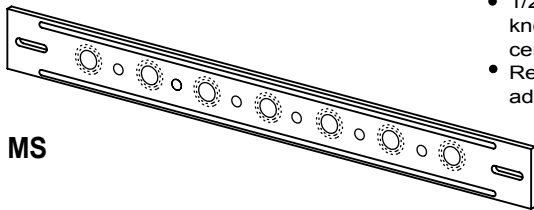
PART NUMBER	GA.	LENGTH	FINISH	CARTON QUANTITY	WT./CTN. (Lbs.)
PS-1	18	18"	Cu. Plated	50	16



- Snap in & multi-holed support for 1/2", 3/4" & 1" tubing.
- 1/2" snap in on 2" centers, 3/4" & 1" holes on 4" centers.
- Self-nailing, no nails required.

PS-2

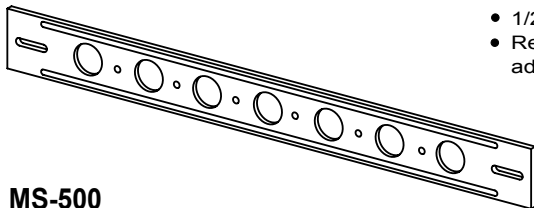
PART NUMBER	GA.	LENGTH	FINISH	CARTON QUANTITY	WT./CTN. (Lbs.)
PS-2	18	18"	Cu. Plated	50	24



- Multi-size Fits 1/2", 3/4" & 1" tubing.
- 1/2" hole with 3/4" & 1" knockout holes on 2" centers.
- Re-inforcing ribs for additional strength.

MS

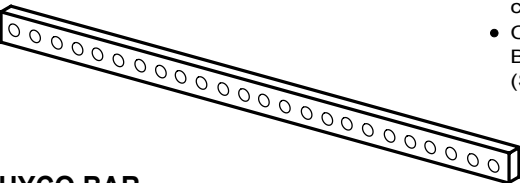
PART NUMBER:	MS-18	MS-20	MS-26
LENGTH:	18"	20"	26"
GAUGE:	18	18	18
FINISH:	Cu. Plated	Cu. Plated	Cu. Plated
CARTON QUANTITY:	50	50	50
WT. PER CARTON (Lbs.)	18	23	29



- 1/2" holes on 2" centers.
- Re-inforcing ribs for additional strength.

MS-500

PART NUMBER:	MS-500-18	MS-500-20	MS-500-26
LENGTH:	18"	20"	26"
GAUGE:	18	18	18
FINISH:	Cu. Plated	Cu. Plated	Cu. Plated
CARTON QUANTITY:	50	50	50
WT. PER CARTON (Lbs.)	18	23	29



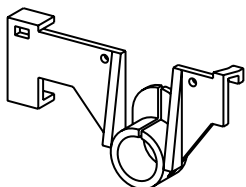
- 3/16" holes on 3/4" centers.
- Can be used with HYCO Bar supports. (See below)

HYCO BAR

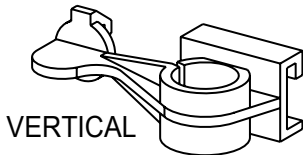
PART NUMBER:	HY-118	HY-120	HY-126
LENGTH:	18"	20"	26"
GAUGE:	14	14	14
FINISH:	Galv.	Galv.	Galv.
CARTON QUANTITY:	100	100	100
WT. PER CARTON (Lbs.)	24	28	34

HYCO BAR SUPPORTS

- Use supports with HYCO bar for copper, PEX or CPVC tubing.



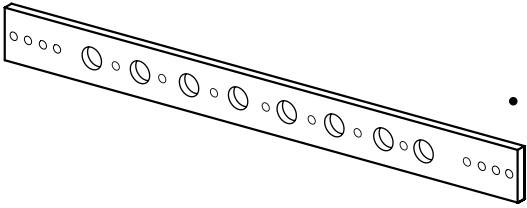
HORIZONTAL



VERTICAL

PART NUMBER	DESCRIPTION	CARTON QUANTITY	WT./CTN. (Lbs.)
HY12H-5	Insulator, Horizontal, 1/2"	50	1
HY34H-5	Insulator, Horizontal, 3/4"	50	1
HY12V-5	Insulator, Vertical, 1/2"	50	1
HY34V-5	Insulator, Vertical, 3/4"	50	1
HY12H-CPVC-5	Insulator, Horizontal, 1/2", CPVC	50	1
HY34H-CPVC-5	Insulator, Horizontal, 3/4", CPVC	50	1

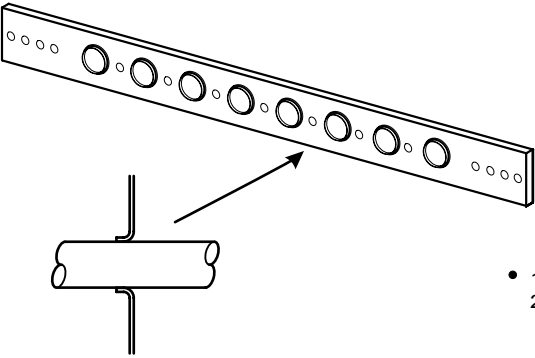
PIPE SUPPORTS



- 1/2" holes on 2" centers.

PS-10120
PS-10126

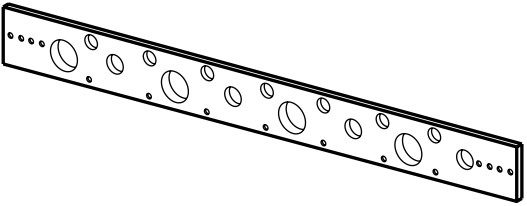
PART NUMBER:	PS-10120	PS-10126
LENGTH:	20"	26"
GAUGE:	16	16
FINISH:	Cu. Plated	Cu. Plated
CARTON QUANTITY:	50	50
WT. PER CARTON (Lbs.)	18	28



- 1/2" extruded holes on 2" centers.

PS-10120-R

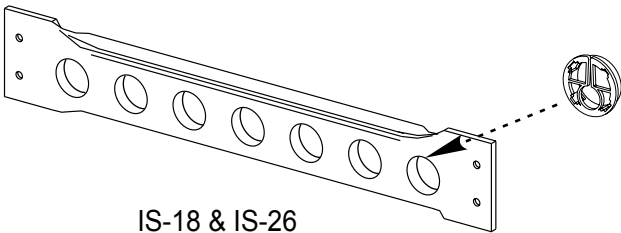
PART NUMBER:	PS-10120-R
LENGTH:	20"
GAUGE:	16
FINISH:	Cu. Plated
CARTON QUANTITY:	25
WT. PER CARTON (Lbs.)	10



- 1/2" holes on 2" centers.
- 3/4" holes on 4" centers.
- 1" holes on 4" centers.

PS-10720
PS-10726

PART NUMBER:	PS-10720	PS-10726
LENGTH:	20"	26"
GAUGE:	16	16
FINISH:	Cu. Plated	Cu. Plated
CARTON QUANTITY:	50	50
WT. PER CARTON (Lbs.)	21	26



IS-18 & IS-26

- Accepts plastic inserts 1/2", 3/4" & 1".
- Hole size 1-11/32" on 2" centers.

IS-20



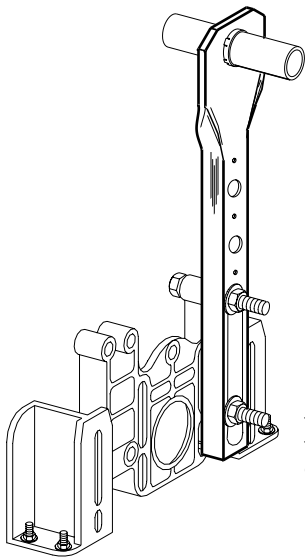
AVAILABLE INSERTS

See Page 300-04 for plastic insert ordering information.

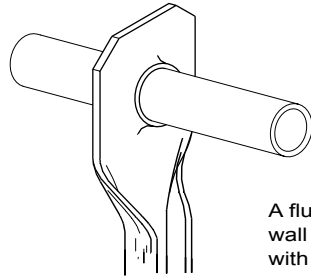
PART NUMBER:	IS-18	IS-20	IS-26
LENGTH:	18"	20"	26"
GAUGE:	20	14	20
FINISH:	Galv.	Galv.	Galv.
CARTON QUANTITY:	50	50	50
WT. PER CARTON (Lbs.)	20	30	32

BRACKETS

BRACKET, CARRIER



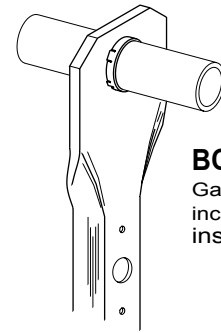
Properly positions water pipe for flush valve, 26 1/2" above floor and 4 1/2" offset from center of carrier.



BCB-C

Copper plated bracket with extruded hole for direct soldering of 1" copper pipe.

A flush valve positioning bracket for wall hung closets. Bracket attaches with closet carrier bolts.



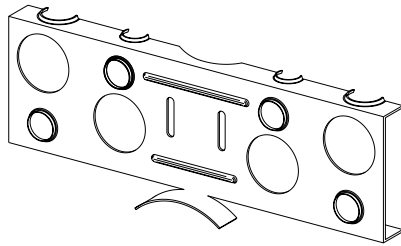
BCB-G

Galvanized bracket includes 1" plastic insert.

2 MODELS AVAILABLE

PART NUMBER:	BCB-C	BCB-G
MATERIAL:	Steel	Steel
FINISH:	Cu. Plated	Galvanized
GAUGE:	16	16
CARTON QUANTITY:	10	10
WT. PER CARTON (Lbs.)	10	10

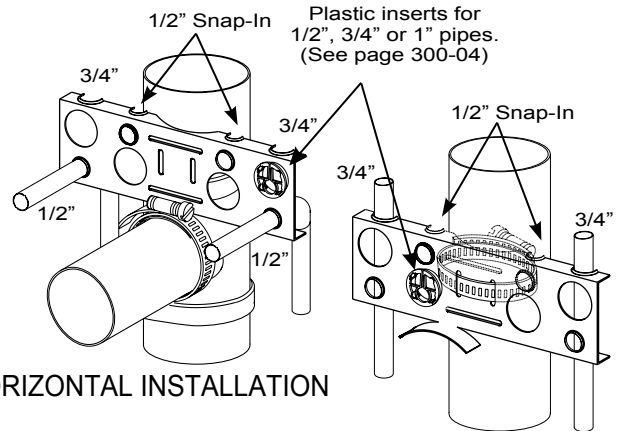
BRACKET, PIPE POSITIONING, W/ STEEL CLAMP



This copper plated bracket attaches to the vertical or horizontal waste or vent pipe. Provides both snap-in or extruded holes for both 1/2" or 3/4" copper supply pipes on 4" & 8" centers. Bracket also provides 1-11/32" holes to accommodate plastic inserts for 1/2", 3/4" & 1" pipes on 4" & 8" centers.

Bracket fits nicely within 4" partitioned walls to position water supply lines for lavatories, sinks and other fixtures.

PART NUMBER:	PPB
MATERIAL:	Steel
FINISH:	Cu. Plated
GAUGE:	16
CARTON QUANTITY:	25
WT. PER CARTON (Lbs.)	16

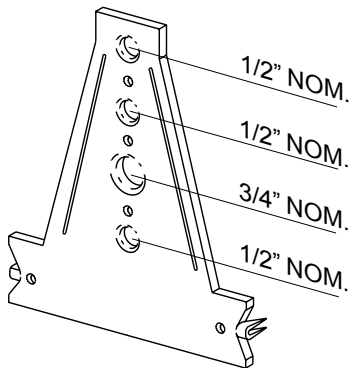


HORIZONTAL INSTALLATION

VERTICAL INSTALLATION

Steel clamp provided with bracket

BRACKET, COPPER PLATED, WATER CLOSET

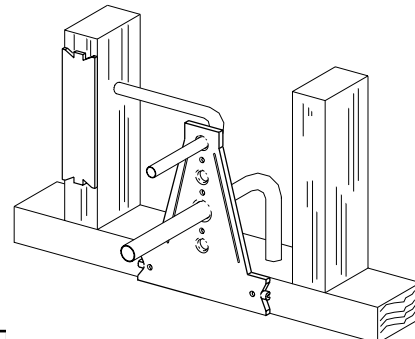


Positions both 1/2" & 3/4" tubing at just the right height above the floor while also functioning as a nail plate. All holes are extruded for maximum soldering surface.

Water Closet bracket, WCB-M, provided without self-nailer for use on metal studs.

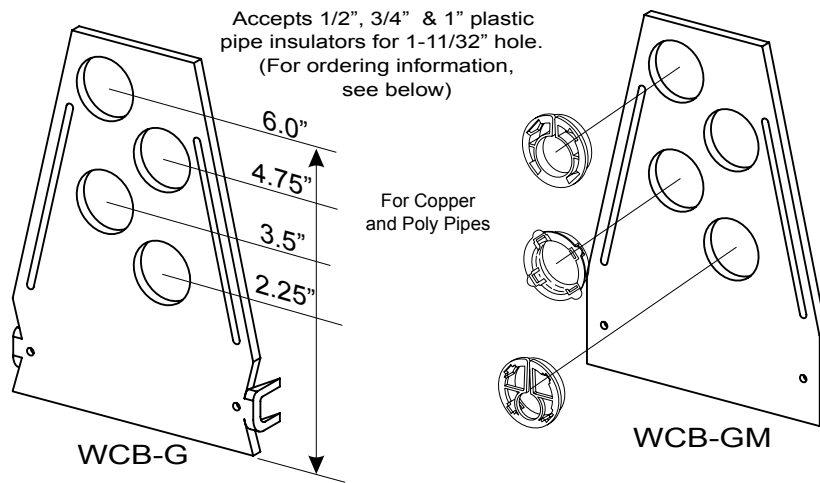
Bracket also functions as nail plate

Basset Water Closet brackets are ideal when stubbing out service lines for both regular and low boy toilets or hose bibbs.



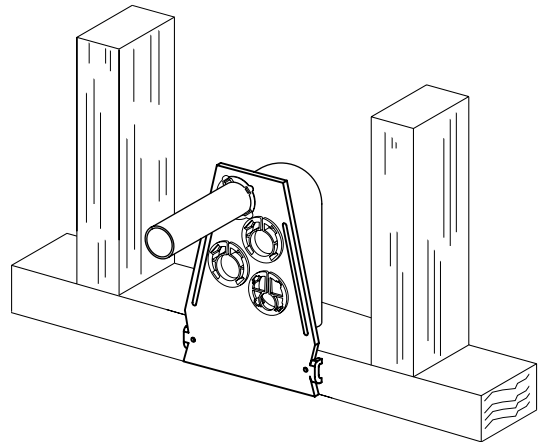
PART NUMBER	GA.	DESCRIPTION	MATERIAL	CARTON QUANTITY	WT./CTN. (Lbs.)
WCB	16	Water Closet Bracket, Self-Nailer	Cu. Plated Steel	25	8
WCB-M	16	Water Closet Bracket, Holes only	Cu. Plated Steel	25	8

BRACKET, GALVANIZED, WATER CLOSET



2.25", 3.5", 4.75" & 6.0" hole center lines accommodate low boy toilet, hose bibb and standard toilet supply lines.

16 gauge with built in stud guard.

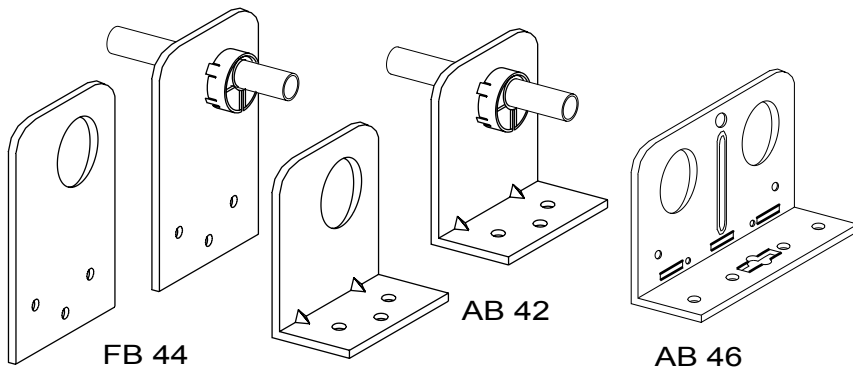


Water Closet bracket, WCB-GM, provided without self-nailer for use on metal studs.

Use pipe insulators shown below

PART NUMBER	GA.	DESCRIPTION	MATERIAL	CARTON QUANTITY	WT./CTN. (Lbs.)
WCB-G	16	Water Closet Bracket, Self-nailer	Galv.	25	8
WCB-GM	16	Water Closet Bracket, Self-nailer	Galv.	25	8

BRACKET, GALVANIZED, ANGLE & FLAT



AB 46 provides multiple mounting holes and slots for installation flexibility.

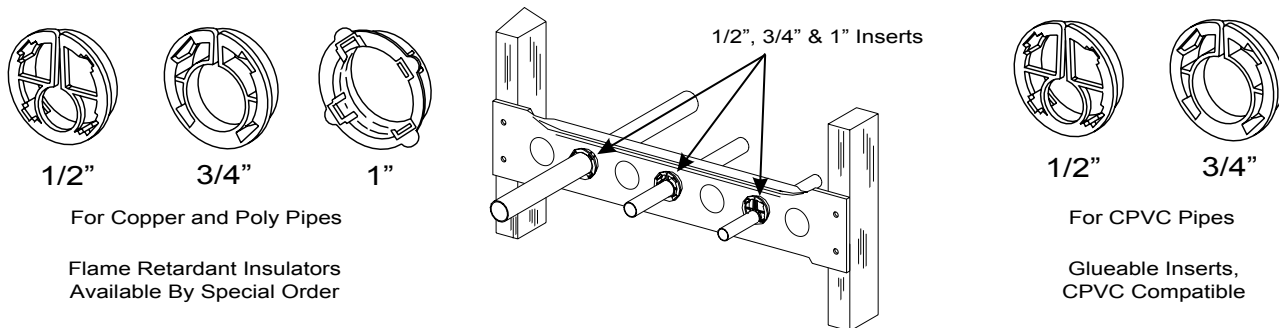
AB 46 supports dual lines of copper, PEX and CPVC tubing.

All models accept 1/2", 3/4" & 1" plastic pipe insulators for 1-11/32" hole. (For ordering information, see below)

PART NUMBER:	AB 42	AB 46	FB 44
TYPE:	Angle	Angle	Flat
HOLE SIZE:	1-11/32"	1-11/32"	1-11/32"
MATERIAL:	Steel	Steel	Steel
FINISH:	Galv.	Galv.	Galv.
GAUGE:	21	21	21
CARTON QUANTITY:	100	25	100
WT. PER CARTON (Lbs.)	8	5	8

Use pipe insulators shown below

INSULATORS, PIPE - COPPER - POLY - CPVC



For Copper and Poly Pipes

Flame Retardant Insulators Available By Special Order

For CPVC Pipes

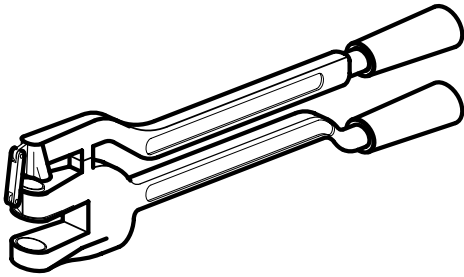
Glueable Inserts, CPVC Compatible

PART NUMBER	SIZE	HOLE SIZE	CARTON QUANTITY	WT./CTN. (Lbs.)
PI500-5	1/2"	1-11/32"	100	1
PI750-5	3/4"	1-11/32"	100	1
PI1000-5	1"	1-11/32"	100	1

PART NUMBER	SIZE	HOLE SIZE	CARTON QUANTITY	WT./CTN. (Lbs.)
PI12CPVC-5	1/2"	1-11/32"	100	1
PI34CPVC-5	3/4"	1-11/32"	100	1

BRACKETS, CLIPS

PUNCH, METAL STUD

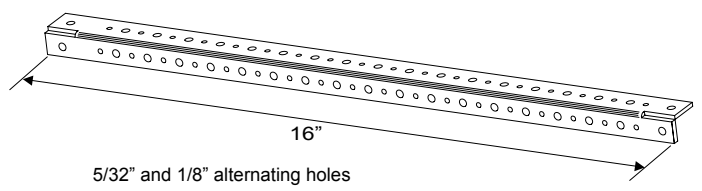
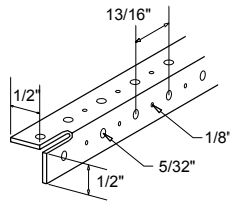
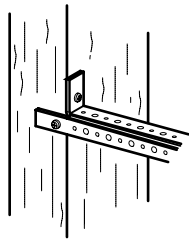
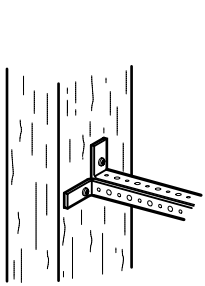


- Cuts 20 GA. steel , 1 - 11/32" hole size.
- Heavy duty with extended throat.
- One year warranty against defects or breakage.

PART NUMBER	HOLE SIZE	UNITS/ CTN.	WT./ EACH
ETSP-5	1-11/32"	1	6Lbs.

BRACKET, PERFORATED, ANGLE, MOUNTING

1/2" x 1/2" x 16" Long



5/32" and 1/8" alternating holes on 13/16" centers.

Available in galvanized or copper plated finish.

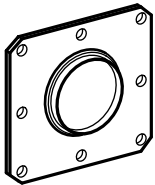
PART NUMBER:	AMB-1	AMB-1C
MATERIAL:	Steel	Steel
FINISH:	Galv.	Cu. Plated
GAUGE:	20	20
CARTON QUANTITY:	50	50
WT. PER CARTON (Lbs.)	16	16

CLIPS, PIPE, SOLDER

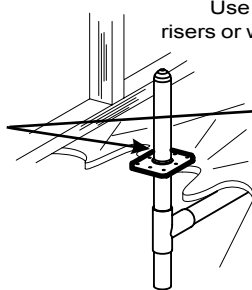
17 Gauge Copper plated steel.

Use on bottom plate to secure risers or with perforated support bracket.

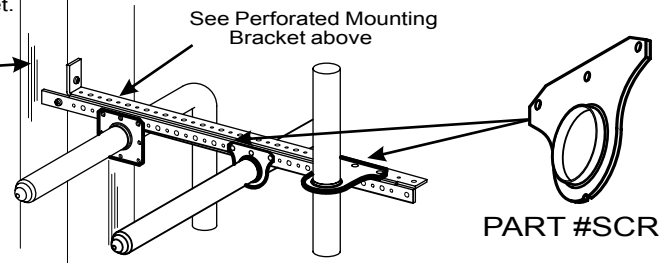
These solder clips provide a variety of installation options when installing copper tubing.



PART #SCQ



The extruded holes provide an excellent soldering surface for copper tubing.

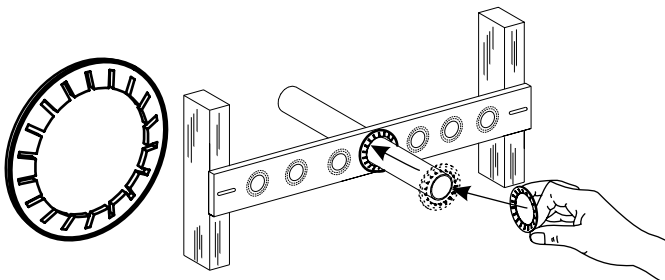


PART #SCR

PART NUMBER	SIZE	MATERIAL	CARTON QUANTITY	WT./CTN. (Lbs.)	LIST PRICE
SCQ-12	1/2"	Cu. Plated	100	3	\$0.5021
SCQ-34	3/4"	Cu. Plated	100	5	\$0.5216
SCQ-100	1"	Cu. Plated	100	4	\$0.5365

PART NUMBER	SIZE	MATERIAL	CARTON QUANTITY	WT./CTN. (Lbs.)
SCR-12	1/2"	Cu. Plated	100	3
SCR-34	3/4"	Cu. Plated	100	3

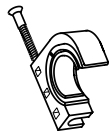
RING, LOCK, STAINLESS STEEL



- Slides over and secures copper tubing into place.
- Prevents movement of tubing in backward direction.
- Fits 1/2" copper tubing.

PART NUMBER	SIZE	MATERIAL	CARTON QUANTITY	WT./CTN. (Lbs.)
SSLR	1/2"	Stainless Steel	100	1

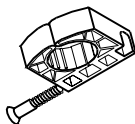
PIPE CLAMP, DRIVE HOOK W/ PRE-LOADED NAIL



- Pre-loaded ringed shank nail.
- Affixes 1/2", 5/8" & 3/4" CTS nominal tube and 1/2" Schedule 40 IPS pipe.
- Ideal for flexible gas tube.

PART NUMBER	DESCRIPTION	SIZE	CARTON QUANTITY	WT./CTN. (Lbs.)
DH12-34-5	1/2" & 3/4" Drive hook w/ nail holds 1/2" & 3/4" tubing	1/2" & 3/4"	100	2

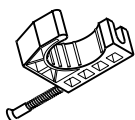
PIPE CLAMP, FULL PLASTIC, W/ PRE-LOADED NAIL



- Pre-loaded ringed shank nail.
- Provides 1/2" stand-off.

PART NUMBER	DESCRIPTION	SIZE	CARTON QUANTITY	WT./CTN. (Lbs.)
BSC-1P-5	1/2" Plastic full clamp w /nail	1/2"	100	2
BSC-2P-5	3/4" Plastic full clamp w/ nail	3/4"	50	2
BSC-3P-5	1" Plastic full clamp w/ nail	1"	25	1

PIPE CLAMP, HALF PLASTIC, W/ PRE-LOADED NAIL



- Pre-loaded ringed shank nail.
- Install clamps in alternating directions to insure secure piping installation

PART NUMBER	DESCRIPTION	SIZE	CARTON QUANTITY	WT./CTN. (Lbs.)
BHS-1P-5	1/2" Plastic half clamp w/ nail	1/2"	100	1
BHS-2P-5	3/4" Plastic half clamp w/ nail	3/4"	100	2
BHS-3P-5	1" Plastic half clamp w/ nail	1"	50	1

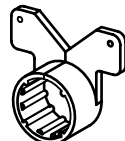
PIPE CLAMP, PLASTIC, W/ PRE-LOADED NAIL



- Pre-loaded ringed shank nail.
- Nail lock tube into hanger.

PART NUMBER	DESCRIPTION	SIZE	CARTON QUANTITY	WT./CTN. (Lbs.)
TS-12-5	1/2" Plastic tube strap w/ nail	1/2"	100	2
TS-34-5	3/4" Plastic tube strap w/ nail	3/4"	50	2

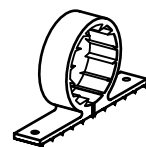
PIPE CLAMP, SUSPENSION



- A versatile clamp made of durable, non-corrosive polypropylene.
- Split design snaps over copper, CPVC, PEX or polybutel isolating it from mounting surface.
- Use on top or under joist or rafter
- For both wood or metal framework
- Eliminates noise

PART NUMBER	SIZE	MATERIAL	CARTON QUANTITY	WT./CTN. (Lbs.)
SC-1P-5	1/2"	Plastic	100	1
SC-2P-5	3/4"	Plastic	50	1
SC-3P-5	1"	Plastic	50	1

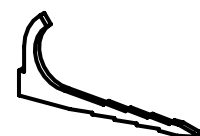
PIPE CLAMP, TWO-HOLE



- Plastic 2-Hole clamp secures copper, CPVC and PEX to both wood and metal framework.
- Split design for maximum flexibility.
- Made of durable non-corrosive polypropylene.
- Eliminate snose.

PART NUMBER	SIZE	MATERIAL	CARTON QUANTITY	WT./CTN. (Lbs.)
TPC-1P-5	1/2"	Plastic	100	1
TPC-2P-5	3/4"	Plastic	50	1
TPC-3P-5	1"	Plastic	50	1

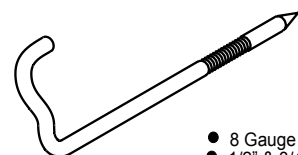
TUBE CLAMP, FLAT TUBE NAILER



- FTNC, FTNZ & FTNPC fits both 1/2" & 3/4" copper, steel or plastic tubing.
- FTNC1, FTNZ1 & FTNPC1 fit 1" copper, steel or plastic tubing.

PART NUMBER	MATERIAL	CARTON QUANTITY	WT./CTN. (Lbs.)
FTNC	Cu. Plated	100	2
FTNC1	Cu. Plated	100	2
FTNZ	Zinc Plated	100	2
FTNZ1	Zinc Plated	100	3
FTNPC	Plastic Coated	100	3
FTNPC1	Plastic Coated	100	3

TUBE CLAMP, WIRE "J" HOOK

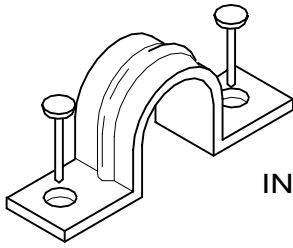


- 8 Gauge Wire
- 1/2" & 3/4" copper or zinc plated or plastic coated.

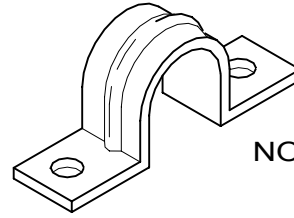
PART NUMBER	SIZE	MATERIAL	CARTON QUANTITY	WT./CTN. (Lbs.)
12CJH	1/2"	Cu. Plated	100	2
34CJH	3/4"	Cu. Plated	100	2
12ZJH	1/2"	Zinc Plated	100	2
34ZJH	3/4"	Zinc Plated	100	2
12PCJH	1/2"	Plastic Coated	100	2
34PCJH	3/4"	Plastic Coated	100	2

STRAPS

STRAP, TWO-HOLE



NAILS INCLUDED



NAILS NOT INCLUDED

Galvanized Finish

PART NUMBER	PIPE SIZE	WT./CTN. (Lbs.)	CARTON QUANTITY
14THS-GWN	1/4"	2	100
38THS-GWN	3/8"	2	100
12THS-GWN	1/2"	2	100
34THS-GWN	3/4"	4	100
1THS-GWN	1"	5	100
114THS-GWN	1-1/4"	4	50
112THS-GWN	1-1/2"	4	50
2THS-GWN	2"	5	50
212THS-GWN	2-1/2"	4	25
3THS-GWN	3"	5	25
4THS-GWN	4"	6	25

PART NUMBER	PIPE SIZE	WT./CTN. (Lbs.)	CARTON QUANTITY
14THS-GNN	1/4"	1	100
38THS-GNN	3/8"	1	100
12THS-GNN	1/2"	2	100
34THS-GNN	3/4"	3	100
1THS-GNN	1"	4	100
114THS-GNN	1-1/4"	3	50
112THS-GNN	1-1/2"	4	50
2THS-GNN	2"	4	50
212THS-GNN	2-1/2"	4	25
3THS-GNN	3"	5	25
4THS-GNN	4"	6	25

Copper Plated Finish

PART NUMBER	COPPER TUBING SIZE	WT./CTN. (Lbs.)	CARTON QUANTITY
14THS-CWN	1/4"	1	100
38THS-CWN	3/8"	2	100
12THS-CWN	1/2"	2	100
34THS-CWN	3/4"	2	100
1THS-CWN	1"	4	100
114THS-CWN	1-1/4"	4	100
112THS-CWN	1-1/2"	4	50
2THS-CWN	2"	5	50

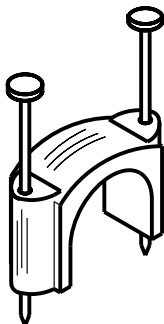
PART NUMBER	COPPER TUBING SIZE	WT./CTN. (Lbs.)	CARTON QUANTITY
14THS-CNN	1/4"	1	100
38THS-CNN	3/8"	1	100
12THS-CNN	1/2"	1	100
34THS-CNN	3/4"	2	100
1THS-CNN	1"	3	100
114THS-CNN	1-1/4"	4	100
112THS-CNN	1-1/2"	3	50
2THS-CNN	2"	5	50

Plastic Coated Finish

PART NUMBER	PIPE SIZE	WT./CTN. (Lbs.)	CARTON QUANTITY
14THS-PCWN	1/4"	2	100
38THS-PCWN	3/8"	2	100
12THS-PCWN	1/2"	3	100
34THS-PCWN	3/4"	4	100
1THS-PCWN	1"	5	100
114THS-PCWN	1-1/4"	6	50
112THS-PCWN	1-1/2"	5	50
2THS-PCWN	2"	6	50
212THS-PCWN	2-1/2"	5	25
3THS-PCWN	3"	6	25
4THS-PCWN	4"	7	25

PART NUMBER	PIPE SIZE	WT./CTN. (Lbs.)	CARTON QUANTITY
14THS-PCNN	1/4"	1	100
38THS-PCNN	3/8"	1	100
12THS-PCNN	1/2"	1	100
34THS-PCNN	3/4"	3	100
1THS-PCNN	1"	4	100
114THS-PCNN	1-1/4"	7	50
112THS-PCNN	1-1/2"	4	50
2THS-PCNN	2"	5	50
212THS-PCNN	2-1/2"	5	25
3THS-PCNN	3"	6	25
4THS-PCNN	4"	7	25

PIPE STRAP, PLASTIC, W/ PRE-LOADED NAILS



PIPE/TUBING SIZES:

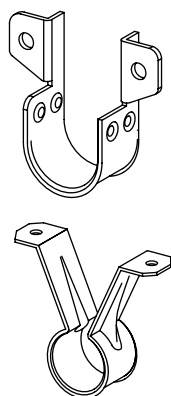
1/2" - Plastic Water Pipe and Copper Tubing: 0.625" Dia.

3/4" - Plastic Water Pipe and Copper Tubing: 0.880" Dia.

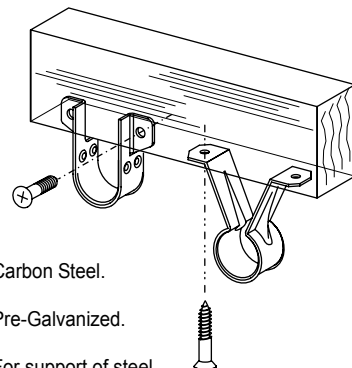
1" - Plastic Water Pipe and Copper Tubing: 1.16" Dia.

PART NUMBER	SIZE	COLOR	CARTON QUANTITY	WT./CTN. (Lbs.)
P-500-5	1/2"	Tan	100	2
P-750-5	3/4"	Tan	50	2
P-1000-5	1"	Grey	25	1

CLAMP, PIPE, TOP MOUNT & SIDE MOUNT

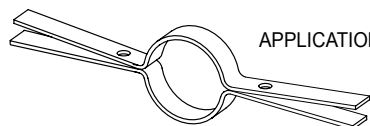


MATERIAL: Carbon Steel.
FINISH: Pre-Galvanized.
APPLICATION: For support of steel pipe, cast iron pipe and conduit risers.



PART NO.	PIPE SIZE (I.P.S.)	MAX. SPACING	CARTON QUANTITY	WT./ CTN. (Lbs.)
SIDE MOUNT BRACKET				
SMS-34-5	3/4"	5-1/2'	100	9
SMS-1-5	1"	6'	100	10
SMS-114-5	1-1/4"	61/2'	100	11
SMS-112-5	1-1/2"	7'	100	12
SMS-2-5	2"	8'	100	13
TOP MOUNT BRACKET				
SOS-34-5	3/4"	5-1/2'	100	10
SOS-1-5	1"	6'	100	12
SOS-114-5	1-1/4"	61/2'	100	14
SOS-112-5	1-1/2"	7'	100	16
SOS-2-5	2"	8'	100	18

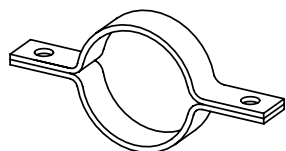
CLAMP, RISER



MATERIAL: Carbon Steel.
FINISH: Black or Zinc plated.
APPLICATION: For support of steel pipe, cast iron pipe conduit risers.

PART NO. ZINC	PART NO. BLACK	PIPE SIZE	MAX. LOAD (Lbs.)	CARTON QUANTITY	WT./ CTN. (Lbs.)
RCGS-1-5	RCHS-1-5	1"	255	25	24
RCGS-114-5	RCHS-114-5	1-1/4"	255	25	25
RCGS-112-5	RCHS-112-5	1-1/2"	255	25	26
RCGS-2-5	RCHS-2-5	2"	255	25	28
RCGS-212-5	RCHS-212-5	2-1/2"	390	25	26
RCGS-3-5	RCHS-3-5	3"	530	20	35
RCGS-4-5	RCHS-4-5	4"	810	15	33
RCGS-6-5	RCHS-6-5	6"	1570	10	33

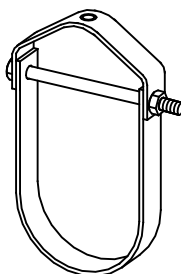
CLAMP, PIPE, STANDARD



MATERIAL: Carbon steel.
FINISH: Black.
APPLICATION: Support of non-insulated pipe lines.

PART NO. BLACK	PIPE SIZE	MAX. LOAD (Lbs.)	CARTON QUANTITY	WT./ CTN. (Lbs.)
PCS-1-5	1"	255	25	9
PCS-114-5	1-1/4"	255	25	10
PCS-112-5	1-1/2"	255	25	10
PCS-2-5	2"	390	25	28
PCS-212-5	2-1/2"	390	15	19
PCS-3-5	3"	530	15	21
PCS-4-5	4"	810	15	34
PCS-6-5	6"	1570	10	54

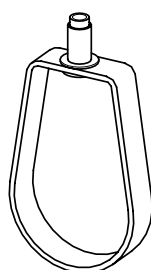
HANGER, CLEVIS, LIGHTWEIGHT



MATERIAL: Carbon steel.
FINISH: Black or Zinc plated. Also available with plastic coated lower saddle.
APPLICATION: Suspending non-insulated pipe lines.

PART NO. ZINC	PART NO. BLACK	PIPE SIZE	ROD DIA.	MAX. LOAD (Lbs.)	CARTON QUANTITY	WT./ CTN. (Lbs.)
CHLG-12-5	CHLS-12-5	1/2"	3/8"	150	50	5
CHLG-34-5	CHLS-34-5	3/4"	3/8"	250	50	6
CHLG-1-5	CHLS-1-5	1"	3/8"	250	50	8
CHLG-114-5	CHLS-114-5	1-1/4"	3/8"	250	50	10
CHLG-112-5	CHLS-112-5	1-1/2"	3/8"	250	50	11
CHLG-2-5	CHLS-2-5	2"	3/8"	250	50	12
CHLG-212-5	CHLS-212-5	2-1/2"	1/2"	350	25	10
CHLG-3-5	CHLS-3-5	3"	1/2"	350	25	11
CHLG-4-5	CHLS-4-5	4"	5/8"	400	20	12

HANGER, ADJUSTABLE SWIVEL RING

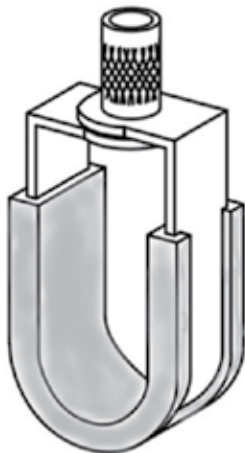


MATERIAL: Carbon steel.
FINISH: Zinc plated.
APPLICATION: Designed for suspending insulated pipe (with lining) or non-insulated pipe allowing for vertical adjustment.

PART NO. ZINC	PIPE OR TUBING SIZE	ROD DIA.	MAX. LOAD (Lbs.)	CARTON QUANTITY	WT./ CTN. (Lbs.)
SRS-12-5	1/2"	3/8"	400	100	10
SRS-34-5	3/4"	3/8"	400	100	11
SRS-1-5	1"	3/8"	400	100	11
SRS-114-5	1-1/4"	3/8"	400	100	12
SRS-112-5	1-1/2"	3/8"	400	100	12
SRS-2-5	2"	3/8"	400	100	12
SRS-212-5	2-1/2"	3/8"	600	50	8
SRS-3-5	3"	3/8"	600	50	13
SRS-4-5	4"	3/8"	1000	20	5

HANGERS

HANGER, ADJUSTABLE SWIVEL RING, RUBBER LINED



- Rubber lined for copper pipe.
- Corrosion resistant.
- Provides sound and vibration isolation.
- Mounts on 3/8" threaded rod.
- 360 degree movement allows for mounting from wall, ceiling or floor.
- Height adjustable.
- Fast & Easy installation.
- Temperature rating -50 F to + 220 F.
- Moisture proof.

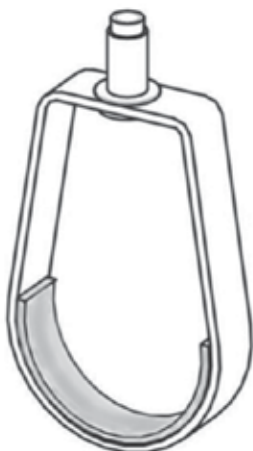
MATERIAL: Carbon steel

FINISH: Zinc Plated

APPLICATION: Suspending non-insulated copper tubing or pipe.

PART NO. GALV.	PIPE CPS	ROD	MAX. LOAD (Lbs.)	CARTON QUANTITY	WT./ CTN. (Lbs.)
SRR-12-5	1/2"	3/8"	400	100	10
SRR-34-5	3/4"	3/8"	400	100	10
SRR-100-5	1"	3/8"	400	100	13
SRR-114-5	1-1/4"	3/8"	400	100	14
SRR-112-5	1-1/2"	3/8"	400	100	15
SRR-200-5	2"	3/8"	400	100	17
SRR-212-5	2-1/2"	3/8"	600	50	9
SRR-300-5	3"	3/8"	600	50	9
SRR-400-5	4"	3/8"	1000	20	6

HANGER, ADJUSTABLE SWIVEL RING, FELT LINED



- Felt lined for copper pipe.
- Corrosion resistant.
- Provides sound and vibration isolation.
- Mounts on 3/8" threaded rod.
- 360 degree movement allows for mounting from wall, ceiling or floor.
- Height adjustable.
- Fast & Easy installation.

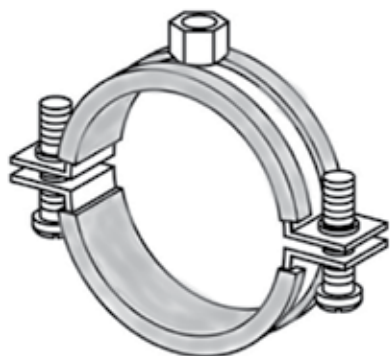
MATERIAL: Carbon steel.

FINISH: Zinc plated.

APPLICATION: Suspending non-insulated copper tubing or pipe.

PART NO. GALV.	PIPE CPS	ROD	MAX. LOAD (Lbs.)	CARTON QUANTITY	WT./ CTN. (Lbs.)
SRF-12-5	1/2"	3/8"	400	100	10
SRF-34-5	3/4"	3/8"	400	100	10
SRF-100-5	1"	3/8"	400	100	13
SRF-114-5	1-1/4"	3/8"	400	100	14
SRF-112-5	1-1/2"	3/8"	400	100	15
SRF-200-5	2"	3/8"	400	100	17
SRF-212-5	2-1/2"	3/8"	600	50	9
SRF-300-5	3"	3/8"	600	50	9
SRF-400-R	4"	3/8"	1000	20	6

HANGER, RUBBER LINED, SOUND ISOLATION



- Provides superior noise reduction and reduced pipe vibration.
- Mounts on 3/8" threaded rod.
- 360 degree movement allows for mounting from wall, ceiling or floor.
- Captive rubber lining prevents slipping.
- Adjustable to accommodate varying pipe sizes.
- Eliminates metal to metal contact.

MATERIAL: Carbon steel.

FINISH: Zinc plated.

APPLICATION: Designed for suspending insulated pipe (with lining) or non-insulated pipe allowing for vertical adjustment.

PART NO. GALV.	PIPE IPS	PIPE CPS	ROD	MAX. LOAD (Lbs.)	CARTON QUANTITY	WT./ CTN. (Lbs.)
SC-100A-5	1/4"	3/8"	3/8"-16	337	100	16
SC-101A-5	3/8"	1/2"	3/8"-16	337	100	16
SC-102A-5	1/2"	3/4"	3/8"-16	337	100	17
SC-103A-5	3/4"	1"	3/8"-16	337	100	18
SC-104A-5	1"	1-1/4"	3/8"-16	337	100	20
SC-105A-5	1-1/4"	1-1/2"	3/8"-16	337	100	24
SC-106A-5	1-1/2"	2"	3/8"-16	337	100	24
SC-107A-5	1 3/4"	-----	3/8"-16	337	100	24
SC-108A-5	2"	2-1/2"	3/8"-16	337	100	28
SC-109A-5	2-1/2"	3"	3/8"-16	337	50	23
SC-110A-5	3"	-----	3/8"-16	711	50	27
SC-111A-5	-----	4"	3/8"-16	711	50	34
SC-112A-5	4"	-----	3/8"-16	711	20	27

FASTNER, STRUT LOCKING SLIDE BOLT

STEP ONE - INSERT
Insert Slide Bolt retainer tab into strut channel end as shown and slide to desired location.

STEP TWO - SLIDE
Slide Bolt retainer tab to desired location on strut.

STEP THREE - ROTATE
Rotate Slide Bolt retainer tab 1/4 turn to align tab across the inside width of the strut.

STEP FOUR - LOCK
When Slide Bolt is properly positioned, hand tighten upper nut to lock in place. Then tighten with wrench or channel locks.

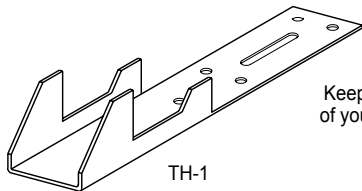
STRUT LOCKING SLIDE BOLT

- Pre-assembled (3/8" threaded stud, U-shaped washer, hex nut, sliding nut with spring)
- No parts to assemble or lose
- Fits all conventional support strut
- Bolts made of zinc-plated steel
- Simply insert and twist...tighten nut and you're done.

PART NUMBER	DESCRIPTION	MATERIAL	CTN. QTY.	WT./CTN. (Lbs.)
LSB-1US-5	Strut Locking Slide Bolt, 3/8" x 1" Long	Zinc Plated	25	5

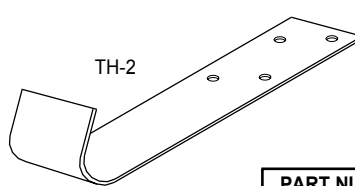
See page 300-11 for Threaded Rod Hanger and Threaded Rod Coupler accessories.

HANGER, TUB



TH-1
20 GA. GALVANIZED STEEL

Keeps the rear corner of your bath tub in line.



TH-2
12 GA. GALVANIZED STEEL

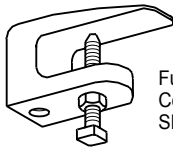
PART NUMBER	TH-1	TH-2
CARTON QUANTITY	100	100
WT. PER CARTON (lbs.)	16	22

CLAMP, BEAM

MALLEABLE IRON - W/ LOCK NUT

MATERIAL: Malleable iron.
FINISH: Plain.

PART NUMBER	CARTON QUANTITY	WT./CTN. (Lbs.)
380-5 (3/8")	100	33
500-5 (1/2")	100	34

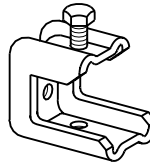


Furnished with hardened steel cup point set screw with locknut. Complies with Fed. Spec. WW-H-H-171 (Type 19) and MSS SP-69 (Type 19).

STEEL - W/ CAPTIVE SCREW

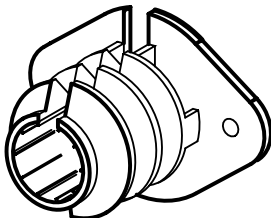
MATERIAL: Brite Zinc Plated Steel.
LOAD LIMIT: 100Lbs.

PART NUMBER	CARTON QUANTITY	WT./CTN. (Lbs.)
BBC-5	50	7



Furnished with 1/4"-20 x 1" Hex Screw. Assures the most dependable universal support for heavy piping, conduit, hanger rods, etc. Has 1/4" holes for threaded rod on top, rear and bottom.

CLAMP, PIPE ISOLATOR



- Reduces water line noise and vibration.
- Split desing allows for use after piping run.
- Designed to work in both 1-3/8" or 1-11/32" holes for wood or metal studs

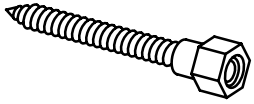
PART NUMBER	DESCRIPTION	SIZE	CARTON QUANTITY	WT./CTN. (Lbs.)
IPC-12-5	1/2" Isolator Pipe Clamp	1/2"	50	1.2
IPC-34-5	3/4" Isolator Pipe Clamp	3/4"	50	1.1
IPC-100-5	1" Isolator Pipe Clamp	1"	50	0.9

HANGER MOUNTING HARDWARE

HANGER, THREADED ROD, BOTTOM MOUNT, WOOD

- Self drilling & threading into wood.

MATERIAL: Commercial grade carbon steel.
FINISH: Electro-galvanized zinc.

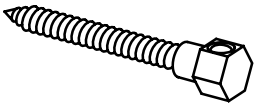


PART NUMBER	ROD SIZE	SHANK DIA.	SHANK LENGTH	EMBEDDING DEPTH	MAX. PIPE SIZE	MAX LOAD (Lbs.)	CARTON QUANTITY	WT./CTN. (Lbs.)
RF-BM138-5	3/8"-16	1/4"	1"	1"	3"	1050	100	2
RF-BM238-5	3/8"-16	1/4"	2"	2"	3"	1050	100	2
RF-BM21238-5	3/8"-16	5/16"	2 1/2"	2 1/2"	4"	1050	100	3

HANGER, THREADED ROD, SIDE MOUNT, WOOD

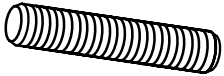
- Self-drilling & threading into wood.

MATERIAL: Commercial grade carbon steel.
FINISH: Electro-galvanized zinc.



PART NUMBER	ROD SIZE	SHANK DIA.	SHANK LENGTH	EMBEDDING DEPTH	MAX. PIPE SIZE	MAX LOAD (Lbs.)	CARTON QUANTITY	WT./CTN. (Lbs.)
RF-SM238-5	3/8"-16	1/4"	2"	2"	3"	1050	25	2

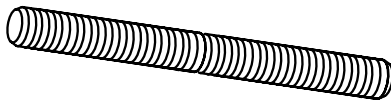
HANGER, THREADED ROD



MATERIAL: Low carbon steel.
FINISH: Electro-galvanized.

PART NUMBER	THREADED STUD SIZE	CARTON QUANTITY	WT./CTN. (Lbs.)
TS-238-5	3/8"-16 x 2"	100	5
TS-338-5	3/8"-16 x 3"	100	7
TS-438-5	3/8"-16 x 4"	100	10
TS-638-5	3/8"-16 x 6"	100	14
TS-1238-5	3/8"-16 x 12"	100	28

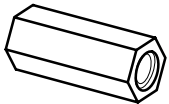
HANGER, THREADED ROD, EXTENDED LENGTH



MATERIAL: Low carbon steel.
FINISH: Plain or Zinc coated.

PART NUMBER	THREADED STUD SIZE	CARTON QUANTITY	WT./CTN. (Lbs.)
TRP-5	3/8"-16 x 6'	25	44
TRZ-5	3/8"-16 x 6'	25	44

COUPLER, THREADED ROD

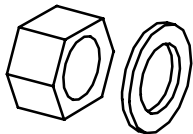


- Provides a means of joining two lengths of threaded rod.

FINISH: Electro-galvanized.

PART NUMBER	ROD SIZE	CARTON QUANTITY	WT./CTN. (Lbs.)
TRC-38118-5	3/8"-16	25	1

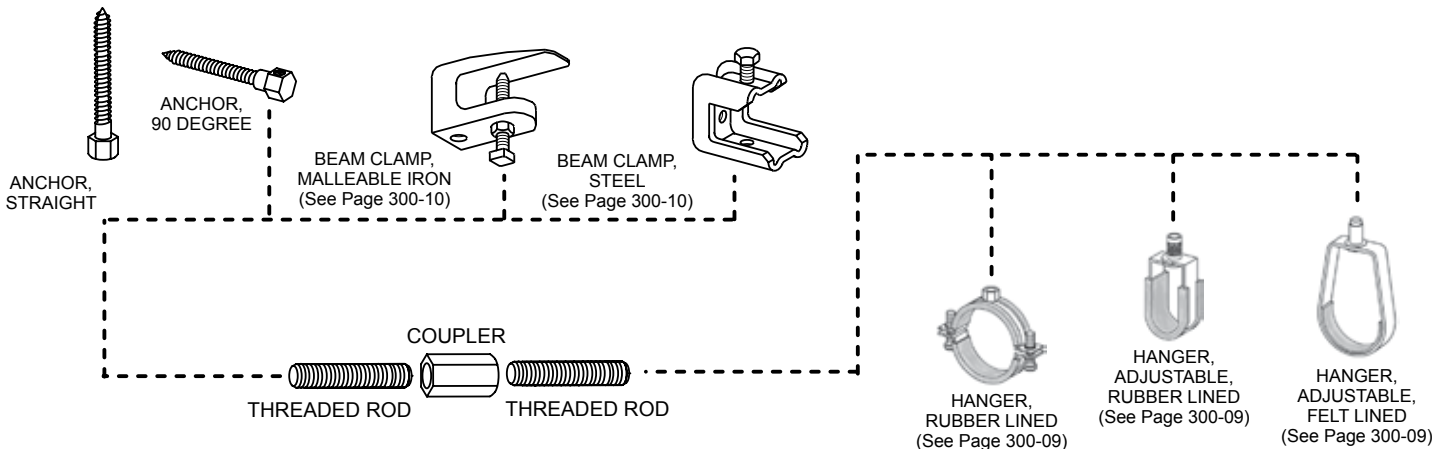
HARDWARE, HANGER MOUNTING SYSTEM



- FINISH: Zinc Coated or Plain.

PART NUMBER	DESCRIPTION	FINISH	CARTON QUANTITY	WT./CTN. (Lbs.)
HP-5	3/8"-16 HEX, NUT, GRADE 2	PLAIN	100	1.6
HZ-5	3/8"-16 HEX, NUT, GRADE 2	ZINC COATED	100	1.6
WP-5	3/8"-16 WASHER, FLAT, USS	PLAIN	100	1.5
WZ-5	3/8"-16 WASHER, FLAT, USS	ZINC COATED	100	1.5

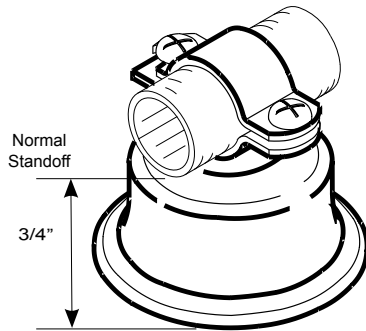
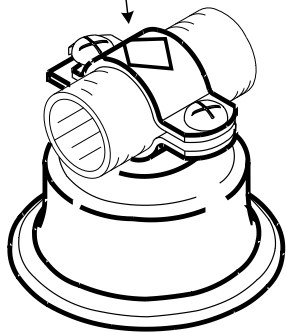
HANGER MOUNTING SYSTEM



HANGER, BELL

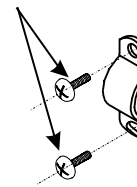


New hole in the top strap allows for even faster and easier installation.



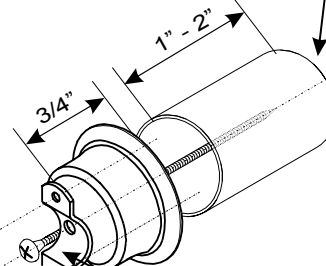
Normal Standoff
3/4"

(2) Machine screws
(furnished w/ hanger)

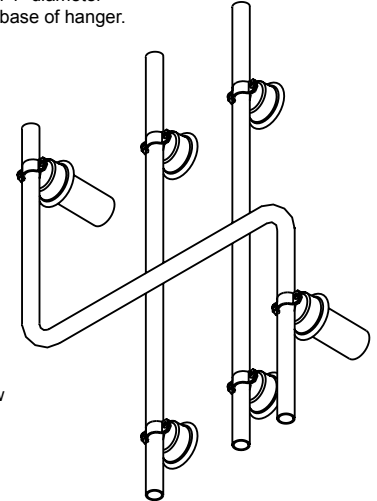


Mounting slot speeds assembly.

(1) 2-1/2" Mounting screw
(furnished w/ hanger)



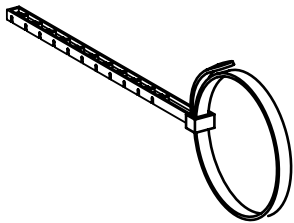
Standoff length can be increased by inserting a piece of 1" diameter tubing in base of hanger.



- Also available with plastic coated finish.
- Hangers for 1/2", 3/4" & 1" tube sizes.
- All Bell Hangers come furnished with one 2-1/2" mounting screw.

PART NO. COPPER	PART NO. PLASTIC	PART NO. COPPER W/ HOLE	PIPE SIZE	DIA.	CARTON QUANTITY	WT./CTN. (Lbs.)
BBH-500	BBH-500-P	BBH-500-D	1/2"	0.632"	25	2
BBH-750	BBH-750-P	BBH-750-D	3/4"	0.882"	25	2
BBH-1000	BBH-1000-P	BBH-1000-D	1"	1.130"	25	2

HANGER, UNIVERSAL PIPE



- Fits Pipe 7/8" O.D. to 6-7/8" O.D.
- ABS shank, nylon 66 strap.
- Snap off sections.
- Includes two, pre-loaded nails.
- Releasable locking mechanism.
- Can also be used to support flexible ducting.

PART NUMBER	DESCRIPTION	CARTON QUANTITY	WT./CTN. (Lbs.)
UPH-10W-5	10" Universal Pipe Hanger, White	25	5
UPH-14W-5	14" Universal Pipe Hanger, White	25	5
UPH-26W-5	26" Universal Pipe Hanger, White	25	8

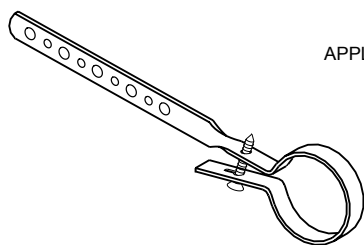
HANGER, DWV (DRAIN WASTE VENT)

MATERIAL: 18 ga. Galvanized steel (sizes 1-1/2" 2")
16 ga. Galvanized steel (sizes 3" & 4")
Also available with plastic coated loop.

DIMENSIONS: 3/4" wide x 12" long excluding loop.

APPLICATION: Designed for rapid installation of both ABS and PVC plastic DWV piping systems. Slotted holes accept screws or nails.

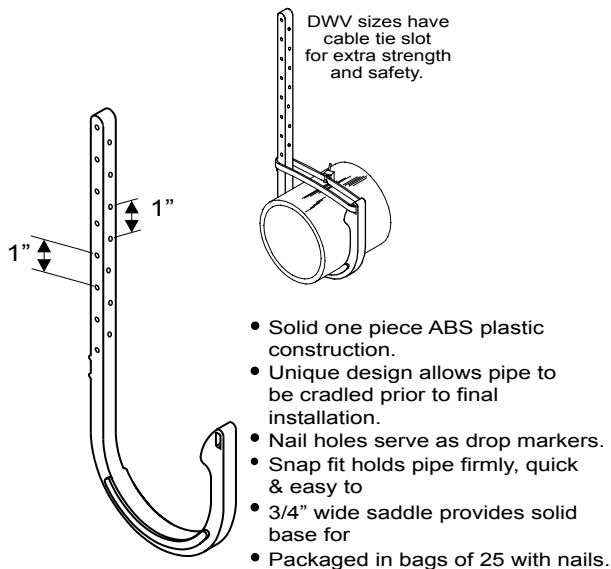
LOAD RATING: 150 lbs. maximum.



PART NO. GALVANIZED	PART NO. PLASTIC COATED	PIPE SIZE	CARTON QUANTITY	WT./CTN. (Lbs.)
DWV-112-5	DWV-112-P-5	1-1/2"	25	5
DWV-2-5	DWV-2-P-5	2"	25	7
DWV-3-5	DWV-3-P-5	3"	25	8
DWV-4-5	DWV-4-P-5	4"	25	10

HANGERS

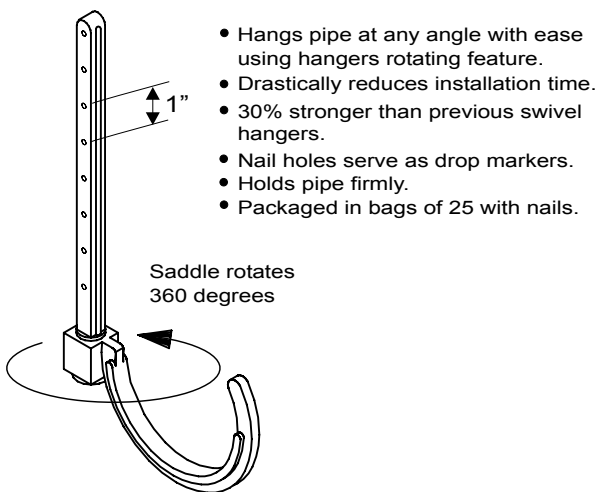
HANGER, RIGID



Suitable for plumbing supply lines.
Hydronic Heat Piping, DWV lines
& Furnace vent lines.

PART NUMBER	PIPE SIZE	MAX. LOAD (Lbs.)	QUANTITY/ BAG	BAG WEIGHT (Lbs.)
Copper Tube Size(CTS)				
BRH-12	1/2"	70	25	1
BRH-34	3/4"	70	25	1
BRH-1	1"	60	25	1
Drain Waste Vent Sizes (DWV)				
BRH-112	1-1/2"	45	25	2
BRH-2	2"	40	25	2
BRH-3	3"	35	25	3
BRH-4	4"	35	25	3

HANGER, SWIVEL



Swivel saddle holds PVC, Copper, Polybutylene and CPVC pipe securely, yet allows for expansion and contraction

Made of white ABS plastic.

PART NUMBER	PIPE SIZE	MAX. LOAD (Lbs.)	QUANTITY/ BAG	BAG WEIGHT (Lbs.)
Copper Tube Size(CTS)				
SH-12	1/2"	55	25	2
SH-34	3/4"	40	25	2
SH-1	1"	40	25	2
SH-114	1-1/4"	30	25	2
Drain Waste Vent Sizes (DWV)				
SH-112	1-1/2"	30	25	3
SH-2	2"	25	25	3
SH-3	3"	20	25	3
SH-4	4"	20	25	4

TECHNICAL DATA

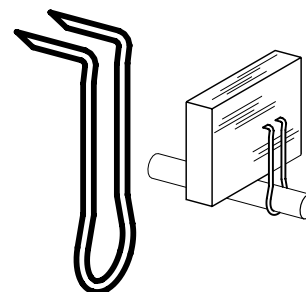
PIPE CAPACITIES AND WEIGHTS					
SIZE	WEIGHT PER FOOT(Lbs.)		SECTION LENGTH	WEIGHT PIPE SECTIONS (Lbs.)	
	EMPTY	FULL OF WATER		EMPTY	FULL OF WATER
Copper Tube Size (CTS)					
1/2"	.28	.365	SIX FOOT SECTION	1.7	2.2
3/4"	.45	.64		2.7	3.9
1"	.66	1.00		4.0	6.0
1-1/4"	.88	1.41		5.3	8.5
Drain Waste Vent Sizes (DWV)					
1-1/2"	.36	1.4	FOUR FOOT SECTION	1.44	5.6
2"	.48	2.1		1.92	8.4
3"	1.00	4.6		4.0	18.4
4"	1.42	7.5		5.68	30.0

PIPE HANGER SPACING	
NOMINAL TUBING SIZE	MAXIMUM SPAN
1/2"	5'
3/4"	5'
1"	6'
1-1/4"	7'
1-1/2"	8'
2"	8'
2-1/2"	9'
3"	10'
3-1/2"	11'
4"	12'

WIRE PIPE

Be sure to specify 9 or 11 gauge when ordering Pipe Hooks.

When gauge is not specified, 9 gauge will be shipped.



4" X 9 GA. WIRE PIPE HOOKS

PLAIN STEEL - PWS 4" X 9 GA.

QUANTITY: 50 TO THE CARTON	1/2"x4"	3/4"x4"	1"x4"	1-1/4"x4"	1-1/2"x4"
PART NUMBER	12X4-9PWS	34X4-9PWS	1X4-9PWS	114X4-9PWS	112X4-9PWS
WT. PER CARTON	3 Lbs.	3 Lbs.	3 Lbs.	3 Lbs.	3 Lbs.

COPPER PLATED - PWC 4" X 9 GA.

QUANTITY: 50 TO THE CARTON	1/2"x4"	3/4"x4"	1"x4"	1-1/4"x4"	1-1/2"x4"
PART NUMBER	12X4-9PWC	34X4-9PWC	1X4-9PWC	114X4-9PWC	112X4-9PWC
WT. PER CARTON	3 Lbs.	3 Lbs.	3 Lbs.	3 Lbs.	3 Lbs.

PLASTIC COATED - PWP 4" X 9 GA.

QUANTITY: 50 TO THE CARTON	1/2"x4"	3/4"x4"	1"x4"	1-1/4"x4"	1-1/2"x4"
PART NUMBER	12X4-9PWP	34X4-9PWP	1X4-9PWP	114X4-9PWP	112X4-9PWP
WT. PER CARTON	4 Lbs.	4 Lbs.	4 Lbs.	4 Lbs.	4 Lbs.

6" x 9 GA. WIRE PIPE HOOKS

PLAIN STEEL - PWS 6" X 9 GA.

QUANTITY: 50 TO THE CARTON	1/2"x6"	3/4"x6"	1"x6"	1-1/4"x6"	1-1/2"x6"
PART NUMBER	12X6-9PWS	34X6-9PWS	1X6-9PWS	114X6-9PWS	112X6-9PWS
WT. PER CARTON	4 Lbs.	4 Lbs.	4 Lbs.	4 Lbs.	4 Lbs.

COPPER PLATED - PWC 6" X 9 GA.

QUANTITY: 50 TO THE CARTON	1/2"x6"	3/4"x6"	1"x6"	1-1/4"x6"	1-1/2"x6"
PART NUMBER	12X6-9PWC	34X6-9PWC	1X6-9PWC	114X6-9PWC	112X6-9PWC
WT. PER CARTON	4 Lbs.	4 Lbs.	4 Lbs.	4 Lbs.	4 Lbs.

PLASTIC COATED- PWP 6" X 9 GA.

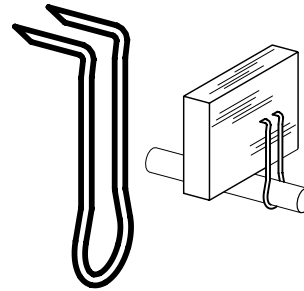
QUANTITY: 50 TO THE CARTON	1/2"x6"	3/4"x6"	1"x6"	1-1/4"x6"	1-1/2"x6"
PART NUMBER	12X6-9PWP	34X6-9PWP	1X6-9PWP	114X6-9PWP	112X6-9PWP
WT. PER CARTON	5 Lbs.	5 Lbs.	5 Lbs.	5 Lbs.	5 Lbs.

HOOKS

WIRE PIPE

Be sure to specify 9 or 11 gauge when ordering Pipe Hooks.

When gauge is not specified, 9 gauge will be shipped.



8" X 9 GA. WIRE PIPE HOOKS

PLAIN STEEL - PWS 8" X 9 GA.

QUANTITY: 50 TO THE CARTON	1/2"x8"	3/4"x8"	1"x8"	1-1/4"x8"	1-1/2"x8"
PART NUMBER	12X8-9PWS	34X8-9PWS	1X8-9PWS	114X8-9PWS	112X8-9PWS
WT. PER CARTON	5 Lbs.	5 Lbs.	5 Lbs.	6 Lbs.	6 Lbs.

COPPER PLATED - PWC 8" X 9 GA.

QUANTITY: 50 TO THE CARTON	1/2"x8"	3/4"x8"	1"x8"	1-1/4"x8"	1-1/2"x8"
PART NUMBER	12X8-9PWC	34X8-9PWC	1X8-9PWC	114X8-9PWC	112X8-9PWC
WT. PER CARTON	5 Lbs.	5 Lbs.	5 Lbs.	6 Lbs.	6 Lbs.

PLASTIC COATED - PWP 8" X 9 GA.

QUANTITY: 50 TO THE CARTON	1/2"x8"	3/4"x8"	1"x8"	1-1/4"x8"	1-1/2"x8"
PART NUMBER	12X8-9PWP	34X8-9PWP	1X8-9PWP	114X8-9PWP	112X8-9PWP
WT. PER CARTON	6 Lbs.	6 Lbs.	6 Lbs.	7 Lbs.	7 Lbs.

4" x 11 GA. WIRE PIPE HOOKS

PLAIN STEEL - PWS 4" X 11 GA.

QUANTITY: 50 TO THE CARTON	1/2"x4"	3/4"x4"	1"x4"	1-1/4"x4"	1-1/2"x4"
PART NUMBER	12X4-11PWS	34X4-11PWS	1X4-11PWS	114X4-11PWS	112X4-11PWS
WT. PER CARTON	2 Lbs.	2 Lbs.	2 Lbs.	2 Lbs.	2 Lbs.

COPPER PLATED - PWC 4" X 11 GA.

QUANTITY: 50 TO THE CARTON	1/2"x4"	3/4"x4"	1"x4"	1-1/4"x4"	1-1/2"x4"
PART NUMBER	12X4-11PWC	34X4-11PWC	1X4-11PWC	114X4-11PWC	112X4-11PWC
WT. PER CARTON	2 Lbs.	2 Lbs.	2 Lbs.	2 Lbs.	2 Lbs.

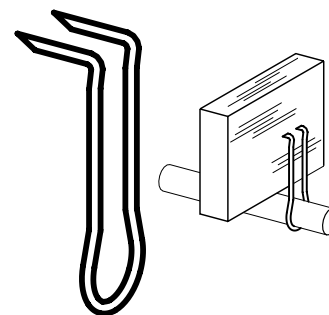
COPPER PLATED - PWC 4" X 11 GA.

QUANTITY: 50 TO THE CARTON	1/2"x4"	3/4"x4"	1"x4"	1-1/4"x4"	1-1/2"x4"
PART NUMBER	12X4-11PWP	34X4-11PWP	1X4-11PWP	114X4-11PWP	112X4-11PWP
WT. PER CARTON	3 Lbs.	3 Lbs.	3 Lbs.	3 Lbs.	3 Lbs.

WIRE PIPE

Be sure to specify 9 or 11 gauge when ordering Pipe Hooks.

When gauge is not specified, 9 gauge will be shipped.



6" X 11 GA. WIRE PIPE HOOKS

PLAIN STEEL - PWS 6" X 11 GA.

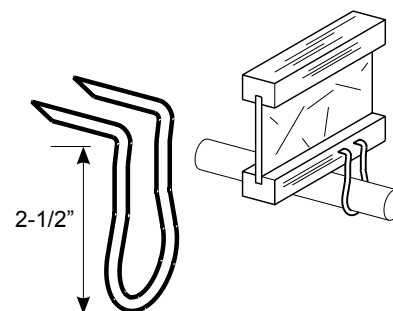
QUANTITY: 50 TO THE CARTON	1/2"x6"	3/4"x6"	1"x6"	1-1/4"x6"	1-1/2"x6"
PART NUMBER	12X6-11PWS	34X6-11PWS	1X6-11PWS	114X6-11PWS	112X6-11PWS
WT. PER CARTON	3 Lbs.	3 Lbs.	3 Lbs.	3Lbs.	3 Lbs.

COPPER PLATED - PWC 6" X 11 GA.

QUANTITY: 50 TO THE CARTON	1/2"x6"	3/4"x6"	1"x6"	1-1/4"x6"	1-1/2"x6"
PART NUMBER	12X6-11PWC	34X6-11PWC	1X6-11PWC	114X6-11PWC	112X6-11PWC
WT. PER CARTON	3 Lbs.	3 Lbs.	3 Lbs.	3 Lbs.	3 Lbs.

PLASTIC COATED - PWP 6" X 11 GA.

QUANTITY: 50 TO THE CARTON	1/2"x6"	3/4"x6"	1"x6"	1-1/4"x6"	1-1/2"x6"
PART NUMBER	12X6-11PWP	34X6-11PWP	1X6-11PWP	114X6-11PWP	112X6-11PWP
WT. PER CARTON	4 Lbs.	4 Lbs.	4 Lbs.	4 Lbs.	4 Lbs.



2 1/2" X 11 GA. WIRE PIPE HOOKS

PLAIN STEEL - PWS 2 1/2" X 11 GA.

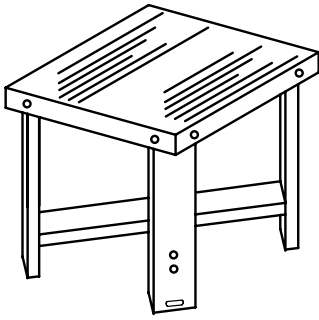
QUANTITY: 100 TO THE CARTON	1/2"x2-1/2"	3/4"x2-1/2"	1"x2-1/2"
PART NUMBER	12X212-11PWS	34X212-11PWS	1X212-11PWS
WT. PER CARTON	2 Lbs.	2 Lbs.	2 Lbs.

COPPER PLATED - PWC 2 1/2" X 11 GA.

QUANTITY: 100 TO THE CARTON	1/2"x2-1/2"	3/4"x2-1/2"	1"x2-1/2"
PART NUMBER	12X212-11PWC	34X212-11PWC	1X212-11PWC
WT. PER CARTON	2 Lbs.	2 Lbs.	2 Lbs.

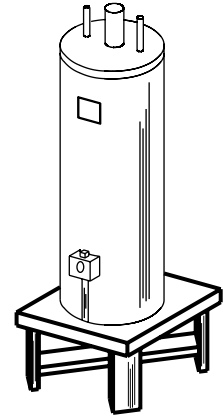
SUPPORTS, STANDS

STAND, WATER HEATER, STANDARD



Durable 18 GA.
Galvanized Steel Stands

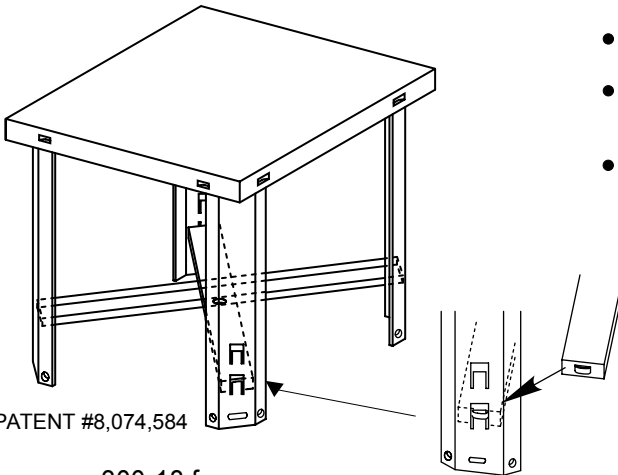
- WHS-1 recommended for 30-50 gallon capacity gas water heaters. 650 lb. safe working load.
- WHS-2 1300 Lb. safe working load.
- Legs are cross braced to prevent tipping.
- Both WHS-1 and WHS-2 models safely support water heater 18" above the floor as required by the National Fuel Gas Code and Uniform Plumbing Code.
- Stands shipped unassembled for ease in handling.



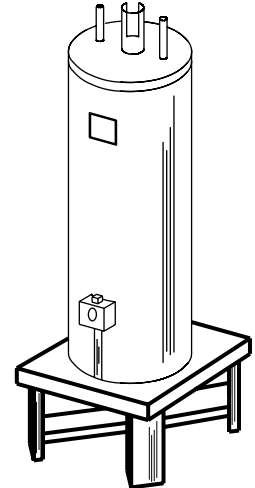
See page 300-18 for Seismic Restraint Clip ordering information

PART NUMBER	WIDTH	DEPTH	HT.	GA.	MAX. LOAD (LBS.)	UNITS/CTN.	WT./CTN. (Lbs.)
WHS-1	21"	21"	18"	18	650	1	15
WHS-2	24"	24"	18"	16	1300	1	22

STAND, WATER HEATER, FAST ASSEMBLY



- LESS ASSEMBLY TIME REQUIRED.
Stand assembles in 80% less time than our standard model.
- FEWER PARTS.
Innovative locking tab design for legs, tabletop and cross bracing attachment.
- COMPACT SHIPPING...
Water heater stand is shipped unassembled in box protecting the stand from factory to job site. No need to haul a cumbersome assembled stand around.
 - Legs are cross braced to prevent tipping.
 - Two (2) seismic restraint hardware mounting holes bottom of each leg. (Hardware furnished by others.)
 - Holds up to 50 gallon water heater 18" above the floor as required by the National Fuel Gas Code and Uniform Plumbing Code.



See page 300-18 for Seismic Restraint Clip ordering information

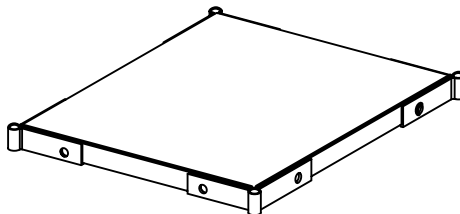
PART NUMBER	WIDTH	DEPTH	HT.	GA.	MAX. LOAD (LBS.)	UNITS/CTN.	WT./CTN. (Lbs.)
WHS-1FA	21"	21"	18"	18	650	1	15

Durable 18 GA.
Galvanized Steel Stands

STAND, WATER HEATER, OVERHEAD SUPPORT

Adequately support water heater from the overhead in accordance with good engineering practice.

- Wide platform allows water heaters up to 21-1/4" diameter.
- Static load rating of 375 pounds, depending on structural attachment.
- Galvanized steel construction.
- Strong four corner braces accept 3/8" or 1/2" threaded rod.



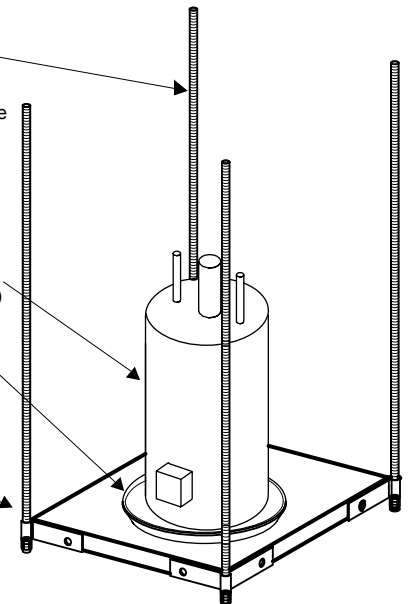
Material:
Pan: 18 gauge, CRS, galvanized.
Corners: 16 gauge, CRS, galvanized.

Contractor furnished 3/8" or 1/2" threaded support rods. (Typical four corners). (For ordering information see Page 300-11)

20-gallon water heater (maximum 375 lb. load)

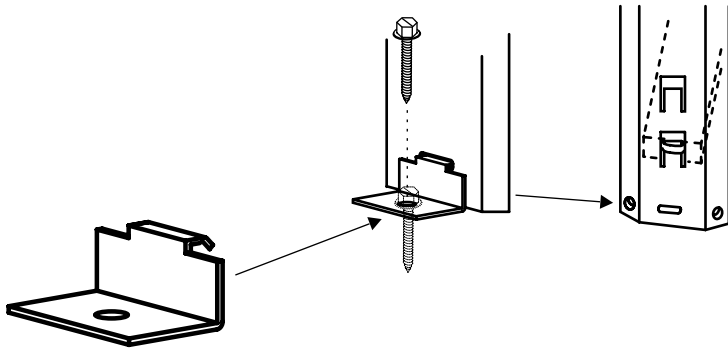
Water heater pan. (See page 300-19 for ordering)

Contractor furnished 3/8" or 1/2" locknuts and washers. (Typical four corners)



PART NUMBER	WIDTH	DEPTH	GA.	MAX. LOAD (LBS.)	UNITS/CTN.	WT./CTN. (Lbs.)
WHS-1SP	21-1/4"	21-1/4"	18	375	1	8

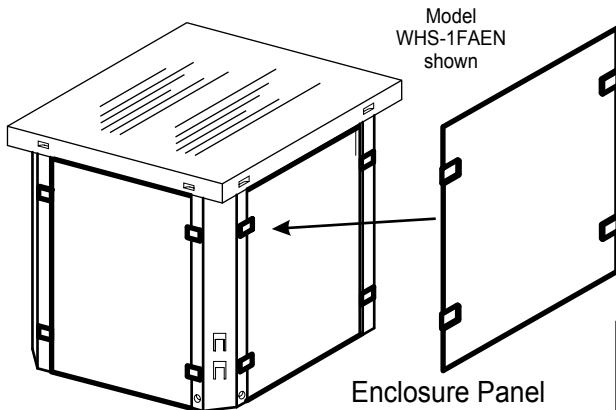
CLIP, SEISMIC RESTRAINT, WATER HEATER STAND



- Seismic restraint clip anchors water heater stand leg to floor.
- Can be used on Models WHS-1, WHS-1EN, WHS-1FA and WHS-1FAEN.

PART NUMBER	MATERIAL	GA.	UNITS/CTN.	WT./CTN. (Lbs.)
SRC	GALV. STEEL	16	24	1

STAND, WATER HEATER, ENCLOSED

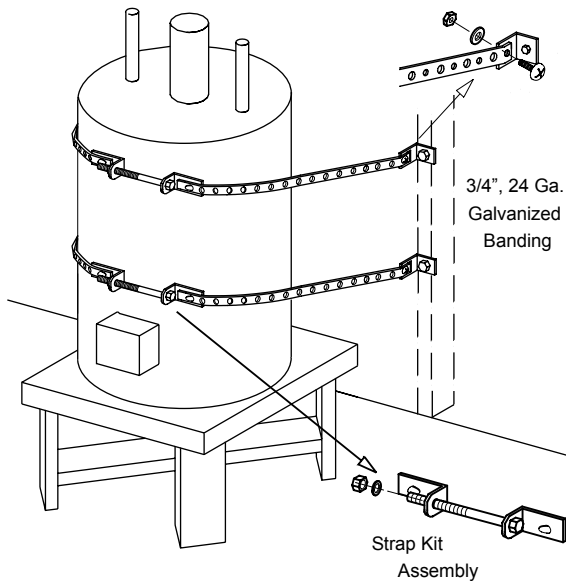


- Same stand as Models WHS-1 and WHS-1FA, but includes four (4) 26 ga. side panels. 650 lb. safe working load.
- Water heater stand is fully enclosed on four sides to prevent storage of flammable liquids.
- Ideal for use in food processing areas.
- Stands shipped unassembled for ease in handling.
- Side panels easily slide into position once stand is assembled.
- Model WHS-1EN utilizes standard nut/bolt assembly. Model WHS-1FAEN utilizes fast assemble slip joints.

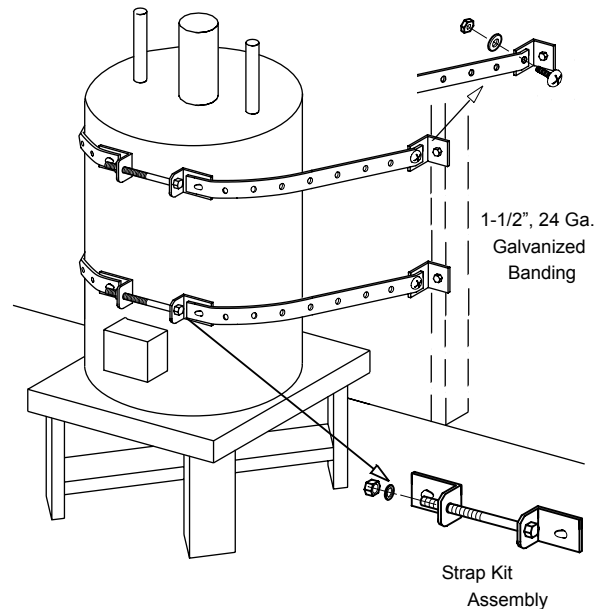
PART NUMBER	WIDTH	DEPTH	HT.	GA. (STAND)	GA. (SIDES)	MAX. LOAD (Lbs.)	UNITS/CTN.	WT./CTN. (Lbs.)
WHS-1EN	21"	21"	18"	18	26	650	1	22
WHS-1FAEN	21"	21"	18"	18	26	650	1	22

STAND, WATER HEATER, QUAKE RESISTANT

QSK-1



QSK-150



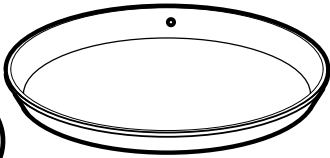
A complete kit for securing water heaters to an adjacent wall. Kit assembles quickly and easily and contains all necessary bolts, screws, washers, nuts, brackets and heavy duty 3/4" or 1-1/2" wide, 24 GA. galvanized strapping to complete the installation.

Contents of kit are shown in each illustration.

PART NUMBER	STRAP WIDTH	STRAP GA.	UNITS/CTN.	WT./CTN. (Lbs.)
QSK-1	3/4"	24	1	3
QSK-150	1-1/2"	24	1	5

MISCELLANEOUS

PAN, WATER HEATER, ALUMINUM

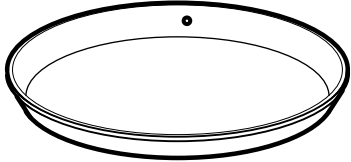


No Broken Cartons

- Protect floors and ceilings from water damage.
- Round shaped aluminum pan.
- Pre-drilled for 1" CPVC or PVC drain (included).
- Complies with SBCCI Code Section 1213.7.

CPVC PART NUMBER	PVC PART NUMBER	BOTTOM I.D.	TOP MAX. I.D.	CARTON QUANTITY	WT./CTN. (Lbs.)
AWHPC-20-5	AWHP-20-5	20"	22"	10	16
AWHPC-22-5	AWHP-22-5	22"	24"	10	20
AWHPC-24-5	AWHP-24-5	24"	26"	10	23
AWHPC-26-5	AWHP-26-5	26"	28"	10	26
AWHPC-30-5	AWHP-30-5	30"	32"	5	15

PAN, WATER HEATER, PLASTIC

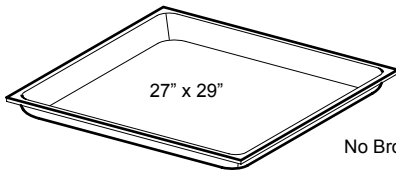


No Broken Cartons

- Protect floors and ceilings from water damage.
- Round shaped black plastic pan.
- Pre-drilled for 1" drain (included).
- Complies with SBCCI Code Section 1213.7.

PART NUMBER	BOTTOM I.D.	TOP MAX. I.D.	DRAIN MATL.	CARTON QUANTITY	WT./CTN. (Lbs.)
WHP-24-5	24"	26"	PVC	20	28
WHP-26-5	26"	28"	PVC	10	17
WHP-30-5	30"	32"	PVC	5	11
WHPC-20-5	20"	22"	CPVC	10	16
WHPC-22-5	22"	24"	CPVC	10	20
WHPC-24-5	24"	26"	CPVC	10	23
WHPC-26-5	26"	28"	CPVC	10	25
WHPC-30-5	30"	32"	CPVC	5	17

PAN, WASHING MACHINE, PLASTIC

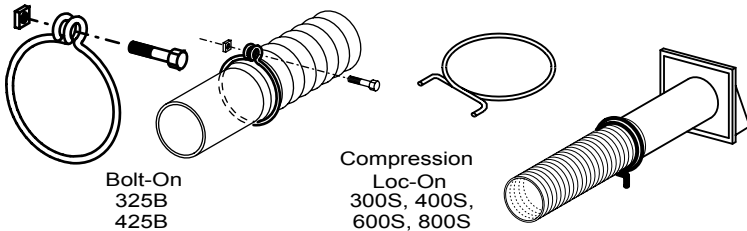


No Broken Cartons

- Protect floors and ceilings from water damage.
- Rectangular shaped white plastic pan.
- 1" drain fitting (included).
- Pan NOT drilled.

PART NUMBER	BOTTOM DIM.	TOP MAX. DIM.	CARTON QUANTITY	WT./CTN. (Lbs.)
WMP-1-5	27"x29"	28 1/2"x30 1/2"	5	15

CLAMP, DUCT, BOLT-ON & COMPRESSION, LOC-ON



Bolt-On
325B
425B

Compression
Loc-On
300S, 400S,
600S, 800S

- Bolt-On model accomodates semi rigid aluminum duct.
- Compression, Loc-On is ideal for clothes dryer vent attachment and other flexible duct installations.

PART NUMBER	DIAMETER	CARTON QUANTITY	WT./CTN. (Lbs.)
300S	3"	1000	56
400S	4"	500	32
600S	6"	50	7
800S	8"	50	7.5
325B	3"	1000	51
425B	4"	1000	60

CLAMP, HOSE, WORM GEAR

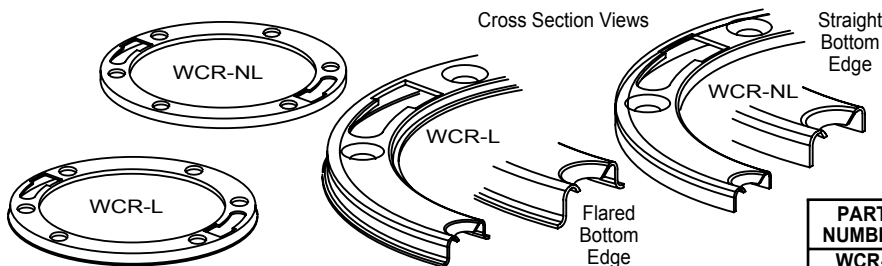


5" Standard Stainless
Steel Clamp

- 5" max. diameter, 1/4" min. diameter.
- Multi-use clamp with wide diameter range.

PART NUMBER	MATERIAL	SIZE	CARTON QUANTITY	WT./CTN. (Lbs.)
SSC-5	Stainless Steel	5"	25	2

RING, EXTENSION, WATER CLOSET, TAPERED & FLUSH MOUNT



Cross Section Views

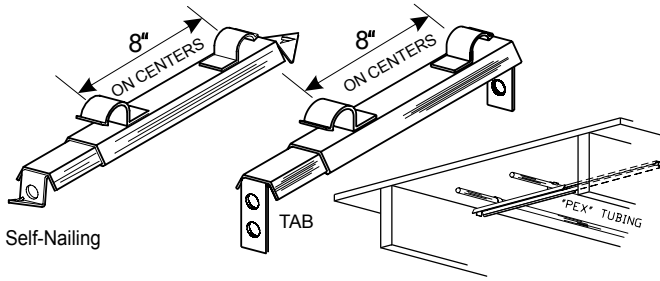
Straight
Bottom
Edge

Flared
Bottom
Edge

- WCR-L flared bottom edge suitable for reconstructing damaged existing installations.
- Corrosion resistant.
- Fits securely over damaged flange.
- Available with tapered (flared) (WCR-L) or flush (WCR-NL) edge.

PART NUMBER	MATERIAL	CARTON QUANTITY	WT./CTN. (Lbs.)
WCR-L	Stainless Steel	20	8
WCR-NL	Stainless Steel	20	7

BRACKET, ADJUSTABLE, SELF-NAILING, PEX

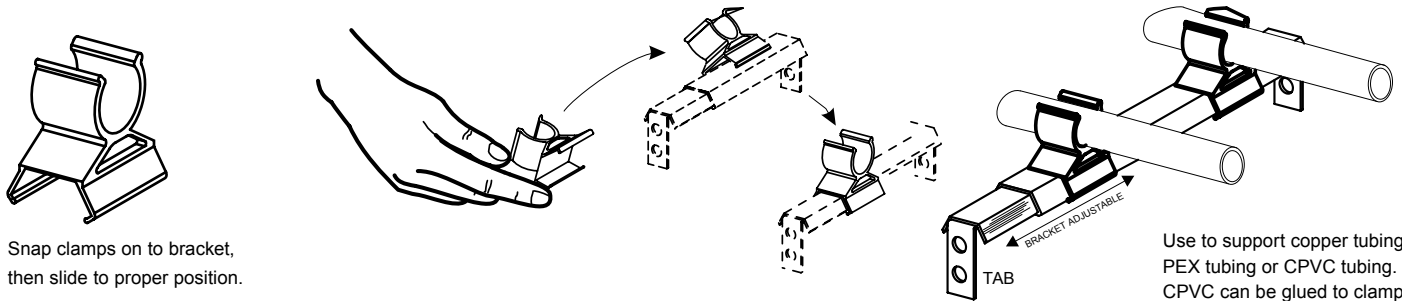


"PEX" TUBING SNAPS EASILY INTO "PEX" CLIPS

- Extra long model has "PEX" clips 12" on centers.
- Clips for 3/8" available by special order.

PART NO.	TYPE	LENGTH ADJUST	MATERIAL	CARTON QUANTITY	WT./CTN. (Lbs.)
A-125-P	Self Nailing, Regular	12" to 19"	Galv.	25	5
AT-125-P	Tab, Regular	12" to 19"	Galv.	25	5
E-125-P	Self Nailing, Extra Long	19" to 26"	Galv.	25	8
ET-125-P	Tab, Extra Long	19" to 26"	Galv.	25	8

KIT, TUBING, SNAP N' SLIDE



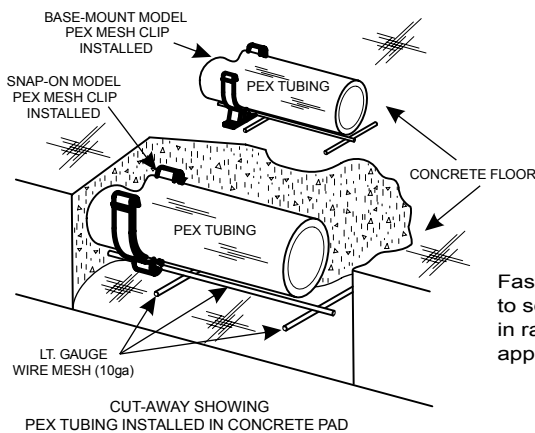
Snap clamps on to bracket, then slide to proper position.

Use to support copper tubing, PEX tubing or CPVC tubing. CPVC can be glued to clamp.

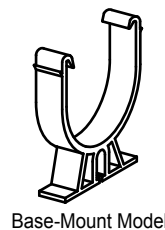
The Basset "Snap N' Slide" tubing clamp, when used with a Basset Telescoping Bracket, is ideal for supporting PEX, CPVC or copper tubing for radiant heat as well as for stubbing out copper tubing or CPVC supply lines.

PART NUMBER	DESCRIPTION	CARTON QUANTITY	WT./CTN. (Lbs.)
SSA1-12	1-Self nailing bracket w/2 1/2" clamps	25	6
SSA1-34	1-Self nailing bracket w/2 3/4" clamps	25	6
SSAT-12	1-Tab bracket w/2 1/2" clamps	25	6
SSAT-34	1-Tab bracket w/2 3/4" clamps	25	6
SSC-12	1/2" Snap N' Slide clamp only	50	1
SSC-34	3/4" Snap N' Slide clamp only	50	1

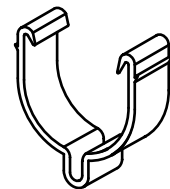
CLIP, MESH, "PEX"



Fast, economical way to secure PEX tubing in radiant concrete slab applications.



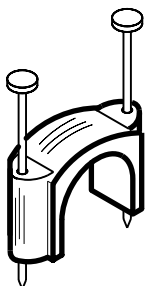
Base-Mount Model



Snap-On Model

PART NUMBER	DESCRIPTION	CARTON QUANTITY	WT./CTN. (Lbs.)
PMC-SO12-5	Snap-On 1/2"	250	3
PMC-SO34-5	Snap-On 3/4"	250	4
PMC-BM12-5	Base Mount 1/2"	250	6

STRAP, MESH, "PEX"

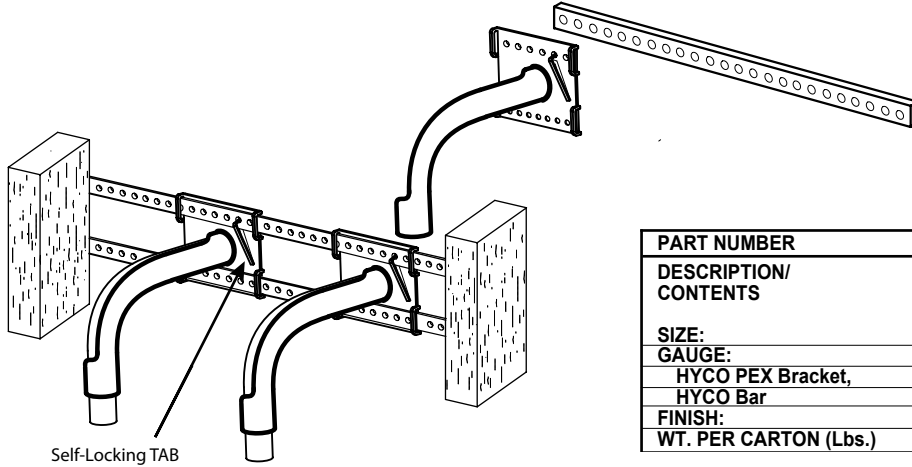


- Available in both "RED" for "Hot Water" and "BLUE" for "Cold Water" PEX supply lines.
- Makes a PEX potable water installation look even more professional.

PART NUMBER	SIZE CTS	COLOR	CARTON QUANTITY	WT./CTN. (Lbs.)
PTS-500R-5	1/2"	Red	100	2
PTS-750R-5	3/4"	Red	50	2
PTS-1000R-5	1"	Red	25	1
PTS-500B-5	1/2"	Blue	100	2
PTS-750B-5	3/4"	Blue	50	2
PTS-1000B-5	1"	Blue	25	1
PTS-500W-5	1/2"	White	100	2
PTS-750W-5	3/4"	White	50	2
PTS-1000W-5	1"	White	25	1

BRACKETS, SUPPORTS

KIT, BRACKET, MOUNTING, HYCO, PEX

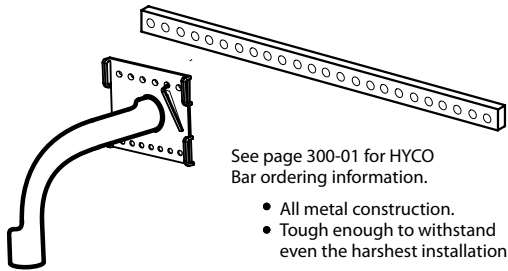


Self-Locking TAB

- Eliminate in-wall fittings & joints.
- Fast and economical method of stubbing-out PEX tubing.
- Self locking tab must be compressed tightly to bracket with pliers.

PART NUMBER	HPA-500	HPA-750
DESCRIPTION/ CONTENTS	(25) 1/2" Hyco PEX Brackets & (50) 18" Hyco bars 1/2"	(25) 3/4" Hyco PEX Brackets & (50) 18" Hyco bars 3/4"
SIZE:		
GAUGE:		
HYCO PEX Bracket,	18 ga.	18 ga.
HYCO Bar	14 ga.	14 ga.
FINISH:	Galvanized	Galvanized
WT. PER CARTON (Lbs.)	17	20

HYCO PEX BRACKET



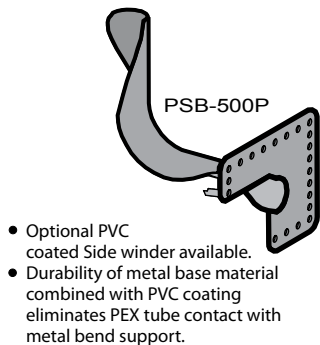
See page 300-01 for HYCO Bar ordering information.

- All metal construction.
- Tough enough to withstand even the harshest installations.

- Fast and economical method of stubbing-out PEX tubing.
- Self locking tab must be compressed tightly to bracket with pliers.

PART NUMBER	HP-500	HP-750
SIZE:	1/2"	3/4"
GAUGE:	18 ga.	18 ga.
FINISH:	Galvanized	Galvanized
CARTON QUANTITY:	25	25
WT. PER CARTON (Lbs.)	5	8

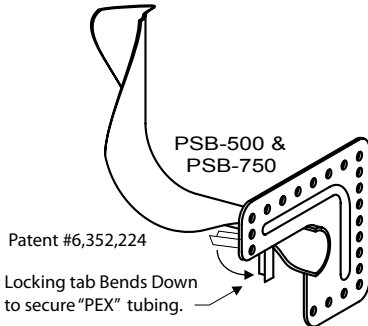
PEX SIDEWINDER W/ MOUNTING PLATE



PSB-500P

- Optional PVC coated Side winder available.
- Durability of metal base material combined with PVC coating eliminates PEX tube contact with metal bend support.

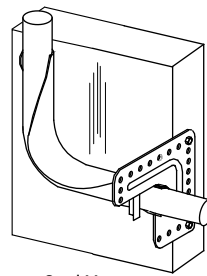
- Unique open corner on mounting plate allows bracket to be added anytime along "PEX" tubing.
- Connection free stub out for PEX tubing.



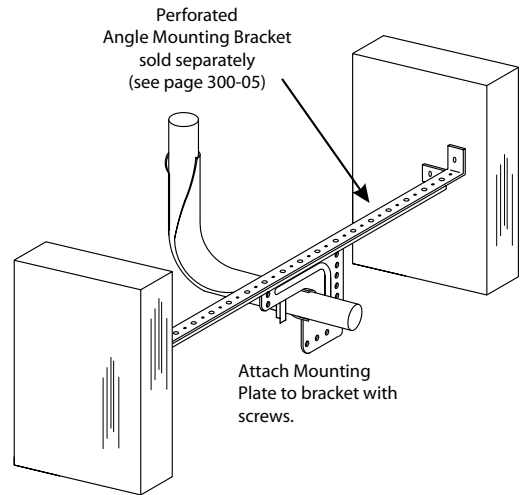
PSB-500 &
PSB-750

Patent #6,352,224

Locking tab Bends Down to secure "PEX" tubing.



Stud Mount



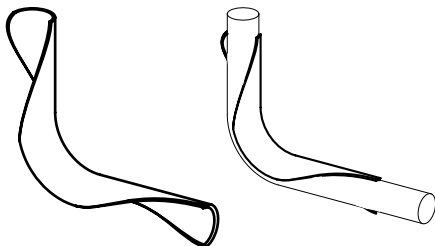
Bracket Mount

Perforated
Angle Mounting Bracket
sold separately
(see page 300-05)

Attach Mounting
Plate to bracket with
screws.

PART NUMBER	PSB-500	PSB-750	PSB-500P
NAIL PLATE GAUGE:	20	18	20
BEND GAUGE:	18	17	18
FINISH:	Galv. Steel	Galv. Steel	PVC
SIZE:	3/8" & 1/2"	3/4"	3/8" & 1/2"
CARTON QUANTITY:	25	25	25
WT. PER CARTON (Lbs.)	5	7	6

PEX SUPPORT, 90 DEGREE BEND



- For 3/8", 1/2", 3/4", and 1" PEX tubing.
- Holds "PEX" tubing firmly to prevent kinking.

- Form slight radius 90 degree bends in PEX tubing.
- Bend support edges are burr free.
- No sharp edges for PEX to rub against.

PART NUMBER	BS-1-500	BS-1-750-5	BS-1-1000-5
SIZE:	1/2"	3/4"	1"
GAUGE:	18	18	18
FINISH:	Galv. Steel	Galv. Steel	Galv. Steel
CARTON QUANTITY:	50	50	50
WT. PER CARTON (Lbs.)	5	11	14

TERMS & CONDITIONS

The following terms and conditions pertain to qualified customers only. C&S Manufacturing Corporation, at its sole discretion, may qualify or disqualify any customer.

(01) Credit Terms:

Cash: Net, thirty (30) days;

Credit: Discounts shown in Item (02)

below will be allowed on bills dated 1st to 15th if paid by the 25th. Bills dated the 16th to the last day of the month if paid by the 10th of the following month.

Past Due: Accounts past due over sixty (60) days will be subject to a late charge of 1 1/2 % per month. Accounts that regularly pay beyond policy terms will be denied open account status.

(02) Order Discounts:

The following discounts shall apply:

No discount on orders below \$1,200.00;

\$1,200 - \$2,000 - 2% discount 10 days, Net 30;

\$2,001 - \$3,000 - 3% discount 10 days, Net 30;

\$3,001 - \$4,000 - 4% discount 10 days, Net 30

(03) Prices:

All prices are subject to change without notice.

(04) Minimum Orders:

All orders are minimum \$50.00.

(05) Broken Carton Policy:

C&S Manufacturing Corporation will add 5% to the total invoiced price for broken carton shipments.

(06) Full Freight Allowance Policy:

C&S Manufacturing Corporation will pay full freight on our selected carrier to a single destination within the 48 contiguous states on orders totaling \$1200.00 net or 1000 lbs. C&S Manufacturing Corporation allowance policy applies only on freight shipped from the factory.

(07) Weights:

All weights are approximate due to varying thicknesses of steel. C&S Manufacturing Corporation weight measurements or calculations shall be deemed final.

(08) Shipping Errors:

C&S Manufacturing Corporation will not be responsible for shipping errors reported ten (10) business days after receipt of product. If a customer receives the wrong merchandise due to an error in order processing or shipping, C&S Manufacturing Corporation will issue an RGA before the merchandise can be returned, unless other arrangements are made. C&S Manufacturing Corporation will be responsible for return freight.

(09) Shipping Shortages:

C&S Manufacturing Corporation will not be responsible for shipment shortages that are signed as cleared.

(10) Order(s) Additions and Changes:

While we make every effort to ship our product according to your specific instructions, additions or changes to your orders may reach us too late to be implemented. We ship most orders within one working day.

(11) Returned Goods Authorization (RGA):

In order to return products or receive warranty service, customers must obtain a Return Goods Authorization (RGA) number. An RGA can be obtained by contacting C&S Manufacturing Corporation by:

MAIL: C&S Manufacturing Corporation, Customer Service Department, P.O. Box 736,

Sturgeon Bay, WI 54235;

PHONE: 920-743-6941;

FAX: 920-743-7432, or;

EMAIL: info@BassetProducts.com

C&S Manufacturing Corporation will not

receive product(s) without a C&S issued RGA number.

In order to be processed, all RGA requests must reference our order number, our invoice number and the customers purchase order number, which must be less than **twelve (12) months old**.

In order to be accepted, all returned material must be in multiples of the stated catalog minimum order quantity and in original condition.

Specials or custom-made product(s) are not considered normal stock and therefore cannot be returned, except in case of manufacturer's defect.

Customers will be charged 10% of invoice price for product(s) restocking. An RGA is invalid if referenced product(s) is not received within ninety (90) days of an RGA issue date. Issuance of the RGA does not authorize the customer to deduct the value of the return once product is received by C&S Manufacturing Corporation and found to be in acceptable condition. C&S Manufacturing Corporation will issue a credit memo for returned product and related expenses (i.e. shipping) when applicable. C&S Manufacturing Corporation reserves the right to deny, nullify or cancel an RGA at it's discretion.

(12) Rust, Corrosion or Ultra-violet degradation exception:

C&S Manufacturing Corporation will not accept for return, nor issue an RGA for, any product(s) that exhibit the presence of rust, corrosion or tarnishing or material degradation caused by ultra violet light exposure or any other external or internal signs of deterioration of product due to inadequate, careless or improper care, storage, sheltering or protection from the weather and environment.

(13) Obsolete, Old Design, Unsalable and Damaged exception:

All returns must be returned prepaid and subject to inspection for damage or misuse prior to issuance of credit. No credit will be allowed for material determined to be over one (1) year old, of obsolete or old design, in unsalable condition or not in standard quantities.

(14) Standard(s) and Code(s) Conformances:

C&S Manufacturing Corporation makes no assurances as to code or standards conformance of our product other than that which is printed in this catalog, on original C&S Manufacturing Corporation literature or website, in C&S Manufacturing Corporation paid advertising or identified directly on the product itself. Check with your local C&S Manufacturing Corporation sales representative, code official or call the factory for current code and standards conformance information on our products.

LIMITED WARRANTY

C&S Manufacturing Corporation warrants that product(s) manufactured by us will be free from defects in material and workmanship for one (1) year from date of shipment and when installed in accordance with good building practices and meeting the detailed requirements of all applicable Federal, State and Local laws, rules, regulations, building standards and codes.

C&S Manufacturing Corporation will, at its option, repair, replace or supply credit to any purchaser of any product(s) that appears, to the Company's satisfaction, to have been defective in material and/or workmanship and is covered by the Company's warranty.

This warranty shall be effective only if the product:

(01) was installed in accordance with supplied instructions (if any), common installation or use practices and existing federal, state and local building, HVAC and plumbing rules, regulations or codes;

(02) has not been subjected to misuse or abuse; **(3)** was properly cared for and stored in a dry location prior to use and does not exhibit any signs of rust, corrosion, tarnishing, ultra-violet light degradation, etc., internal or external, which would degrade the integrity of the product(s)

(03) was at all times used in a manner consistent with its intended use;

(04) was never modified, altered, or repaired by anyone other than C&S Manufacturing Corporation;

(05) was properly subjected to and passed applicable testing methods immediately after the products installation;

(06) was not damaged by freezing, corrosion or ultra-violet light (U.V.) degradation and;

(07) was never damaged or materially changed by an uncontrollable, outside influenced or natural phenomenon. This warranty excludes all costs arising from routine maintenance, including the replacement of any parts required by such maintenance and the replacement of parts required by normal wear and tear. This warranty does not obligate C&S Manufacturing Corporation to bear any transportation, removal or installation charges in connection with the inspection, repair or replacement of defective parts, other than the cost or cost-equivalent of the defective C&S Manufacturing Corporation manufactured product. C&S Manufacturing Corporation also reserves the right to modify, alter or improve their product(s), or part(s) thereof, at any time without incurring an obligation to notify or modify, alter, improve or replace any product, or parts thereof, previously sold. This warranty is the purchasers exclusive remedy.

THE WARRANTY PRINTED ABOVE IS THE ONLY WARRANTY APPLICABLE TO THIS PURCHASE

IT IS UNDERSTOOD AND AGREED THAT SELLER'S LIABILITY AND PURCHASER'S SOLE REMEDY, SHALL NOT EXCEED THE RETURN OF THE AMOUNT OF THE PURCHASE PRICE PAID BY THE PURCHASER, AND UNDER NO CIRCUMSTANCES SHALL SELLER BE LIABLE FOR ANY AND ALL SPECIAL, INCIDENTAL OR CONSEQUENTIAL DAMAGES.

SELLER WILL NOT BE LIABLE FOR ANY DAMAGES, LOSSES OR EXPENSES AS A RESULT OF PURCHASER'S NEGLIGENCE, WHETHER DEEMED ACTIVE OR PASSIVE, AND WHETHER OR NOT ANY SUCH NEGLIGENCE IS THE SOLE CAUSE OF ANY SUCH DAMAGE, LOSS OR EXPENSE

SALES REP USA MAP



BASSET PRODUCTS SALES REPS

	Company Name	Area Represented	Phone
1.	Burton-Anderson	WI, MI (Upper)	262-782-2870
2.	Bennerotte - BMA	MN, ND, SD	763-544-8611
3.	Aqua Products Group	CA (North)	925-754-5686
4.	Fourms LLC	MA, CT, RI, VT, NH, ME	860-365-9709
5.	T&S Industries	PA (East), DE, DC, NJ, MD, VA, NYC (Long Island)	609-314-0862
6.	John Arvay	FL, GA, AL, MS	419-349-8939
7.	Jensen Sales & Mktg	CO, ID (South), MT, UT, WY	801-746-4476
8.	M&M Sales Inc.	NM, TX (El Paso Region)	505-884-1733
9.	Mack McClain & Assoc.	IA, NE, KS, MO	913-339-6677
10.	New Horizons	AZ, NV (South)	602-437-4795
11.	Norpac Inc.	OR, WA, AK, ID (North)	253-850-8800
12.	HBB Pro Sales Group	MI (Lower)	866-649-8430
13.	Benedict Sales Co.	KY, OH, WV, PA (West)	724-836-0278
14.	Richard Specialty	IL, IN	773-725-2907
15.	Contact C&S Manufacturing directly.		920-743-6941

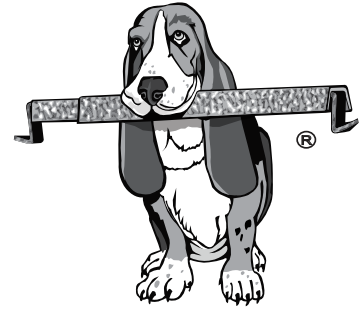
C&S MANUFACTURING CORPORATION

1052 S. Neenah Avenue • P.O. Box 736 • Sturgeon Bay, WI 54235

Phone: 920-743-6941 • Fax: 920-743-7432

E-mail: info@bassetproducts.com

Website: www.bassetproducts.com



C&S Manufacturing also produces custom orders. Our capabilities include:

STEEL SLITTING

A complete custom steel slitting facility is in house and available to you. We can also provide Round Edging, Blanking and Cut-to-Length services.

PRESSES

Our large bed presses are capable of single piece stamping or progressive step stamping for maximum production at minimum cost.

PLASTIC INJECTION MACHINE

C&S Manufacturing Corporation has Plastic Injection Molding equipment to satisfy all your custom molding

Our experienced veteran work force, averaging nearly 10 years of service, along with our wide range of capabilities for high-speed presses to four-slide and mult-side machines, welding, finishing, to maintenance and warehousing can assure satisfaction to our OEM customers on their long and short run needs as well as "Just In Time" delivery with confidence.

Among the many fine stampings C&S has produced are motor starting capacitor cases and covers, conduit boxes and covers, clamps, component mounting clamps, centrifugal switch gaurds, fan gaurds, motor

Inquire at info@bassetproducts.com or call 1-800-959-0374 for a quote.

PRODUCTS NUMBER INDEX

112THS-CNN	300-07	14THS-CNN	300-07	34THS-GNN	300-07
112THS-CWN	300-07	14THS-CWN	300-07	34THS-GWN	300-07
112THS-GNN	300-07	14THS-GNN	300-07	34THS-PCNN	300-07
112THS-GWN	300-07	14THS-GWN	300-07	34THS-PCWN	300-07
112THS-PCNN	300-07	14THS-PCNN	300-07	34X212-11PWC	300-16
112THS-PCWN	300-07	14THS-PCWN	300-07	34X212-11PWS	300-16
112X4-11PWC	300-15	1816-503	200-01	34X4-11PWC	300-15
112X4-11PWP	300-15	1818-503	200-01	34X4-11PWP	300-15
112X4-11PWS	300-15	1820-503	200-01	34X4-11PWS	300-15
112X4-9PWC	300-14	1THS-CNN	300-07	34X4-9PWC	300-14
112X4-9PWP	300-14	1THS-CWN	300-07	34X4-9PWP	300-14
112X4-9PWS	300-14	1THS-GNN	300-07	34X4-9PWS	300-14
112X6-11PWC	300-16	1THS-GWN	300-07	34X6-11PWC	300-16
112X6-11PWP	300-16	1THS-PCNN	300-07	34X6-11PWP	300-16
112X6-11PWS	300-16	1THS-PCWN	300-07	34X6-11PWS	300-16
112X6-9PWC	300-14	1X212-11PWC	300-16	34X6-9PWC	300-14
112X6-9PWP	300-14	1X212-11PWS	300-16	34X6-9PWP	300-14
112X6-9PWS	300-14	1X4-11PWC	300-15	34X6-9PWS	300-14
112X8-9PWC	300-15	1X4-11PWP	300-15	34X8-9PWC	300-15
112X8-9PWP	300-15	1X4-11PWS	300-15	34X8-9PWP	300-15
112X8-9PWS	300-15	1X4-9PWC	300-14	34X8-9PWS	300-15
114THS-CNN	300-07	1X4-9PWP	300-14	34ZJH	300-06
114THS-CWN	300-07	1X4-9PWS	300-14	3516-503	200-01
114THS-GNN	300-07	1X6-11PWC	300-16	3516-506	200-01
114THS-GWN	300-07	1X6-11PWP	300-16	3518-503	200-01
114THS-PCNN	300-07	1X6-11PWS	300-16	3616-503	200-01
114THS-PCWN	300-07	1X6-9PWC	300-14	3616-506	200-01
114X4-11PWC	300-15	1X6-9PWP	300-14	3618-503	200-01
114X4-11PWP	300-15	1X6-9PWS	300-14	380-5	300-10
114X4-11PWS	300-15	1X8-9PWC	300-15	38THS-CNN	300-07
114X4-9PWC	300-14	1X8-9PWP	300-15	38THS-CWN	300-07
114X4-9PWP	300-14	1X8-9PWS	300-15	38THS-GNN	300-07
114X4-9PWS	300-14	212THS-GNN	300-07	38THS-GWN	300-07
114X6-11PWC	300-16	212THS-GWN	300-07	38THS-PCNN	300-07
114X6-11PWP	300-16	212THS-PCNN	300-07	38THS-PCWN	300-07
114X6-11PWS	300-16	212THS-PCWN	300-07	3THS-GNN	300-07
114X6-9PWC	300-14	2416-503	200-01	3THS-GWN	300-07
114X6-9PWP	300-14	2418-503	200-01	3THS-PCNN	300-07
114X6-9PWS	300-14	2420-503	200-01	3THS-PCWN	300-07
114X8-9PWC	300-15	2516-503	200-01	400S	300-19
114X8-9PWP	300-15	2518-503	200-01	416-503	200-01
114X8-9PWS	300-15	2616-503	200-01	418-503	200-01
1216-503	200-01	2618-503	200-01	420-503	200-01
1218-503	200-01	2THS-CNN	300-07	425B	300-19
1220-503	200-01	2THS-CWN	300-07	4THS-GNN	300-07
12CJH	300-06	2THS-GNN	300-07	4THS-GWN	300-07
12PCJH	300-06	2THS-GWN	300-07	4THS-PCNN	300-07
12THS-CNN	300-07	2THS-PCNN	300-07	4THS-PCWN	300-07
12THS-CWN	300-07	2THS-PCWN	300-07	500-5	300-10
12THS-GNN	300-07	300S	300-19	516-501	200-01
12THS-GWN	300-07	316-501	200-01	516-503	200-01
12THS-PCNN	300-07	316-503	200-01	516-504	200-01
12THS-PCWN	300-07	316-503H	200-01	518-501	200-01
12X212-11PWC	300-16	316-504	200-01	518-502	200-01
12X212-11PWS	300-16	318-501	200-01	518-503	200-01
12X4-11PWC	300-15	318-502	200-01	518-504	200-01
12X4-11PWP	300-15	318-503	200-01	520-501	200-01
12X4-11PWS	300-15	318-503H	200-01	520-502	200-01
12X4-9PWC	300-14	318-504	200-01	520-503	200-01
12X4-9PWP	300-14	320-501	200-01	520-504	200-01
12X4-9PWS	300-14	320-502	200-01	600S	300-19
12X6-11PWC	300-16	320-503	200-01	616-501	200-01
12X6-11PWP	300-16	320-503H	200-01	616-503	200-01
12X6-11PWS	300-16	320-504	200-01	616-504	200-01
12X6-9PWC	300-14	325B	300-19	618-501	200-01
12X6-9PWP	300-14	3316-503	200-01	618-502	200-01
12X6-9PWS	300-14	3318-503	200-01	618-503	200-01
12X8-9PWC	300-15	34CJH	300-06	618-504	200-01
12X8-9PWP	300-15	34PCJH	300-06	620-501	200-01
12X8-9PWS	300-15	34THS-CNN	300-07	620-502	200-01
12ZJH	300-06	34THS-CWN	300-07	620-503	200-01

PRODUCTS NUMBER INDEX

620-504	200-01	BRH-3	300-13	DS10-10-28G-58	200-04
800S	300-19	BRH-34	300-13	DS25-6-20B	200-04
816-503	200-01	BRH-4	300-13	DS25-6-20G	200-04
818-503	200-01	BS-1-1000-5	400-02	DS25-6-22B	200-04
820-503	200-01	BS-1-500	400-02	DS25-6-24B	200-04
916-503	200-01	BS-150-16	200-03	DS25-6-24C	200-04
A-125	100-01	BS-150-18	200-03	DS25-6-24G	200-04
A-125H	100-01	BS-1-750-5	400-02	DS25-6-28G	200-04
A-125-P	400-01	BS-300-16	200-03	DS25-6-28G-58	200-04
A-150	100-01	BS-300-18	200-03	DS-3	100-02
AB 42	300-04	BS-450-16	200-03	DS50-1-20B	200-04
AB 46	300-04	BS-450-18	200-03	DS50-1-20G	200-04
AB-218	100-01	BSC-1P-5	300-06	DS50-1-22B	200-04
AB-222	100-01	BSC-2P-5	300-06	DS50-1-24B	200-04
AB-318	100-01	BSC-3P-5	300-06	DS50-1-24C	200-04
AMB-1	300-05	C-125	100-01	DS50-1-24G	200-04
AMB-1C	300-05	C-125H	100-01	DS50-1-28G	200-04
AT-125	100-01	CHLG-112-5	300-08	DS50-1-28G-58	200-04
AT-125H	100-01	CHLG-114-5	300-08	DWV-112-5	300-12
AT-125-P	400-01	CHLG-12-5	300-08	DWV-112-P-5	300-12
AT-150	100-01	CHLG-1-5	300-08	DWV-2-5	300-12
ATS-125	100-01	CHLG-212-5	300-08	DWV-2-P-5	300-12
ATS-125H	100-01	CHLG-2-5	300-08	DWV-3-5	300-12
ATS-150	100-01	CHLG-34-5	300-08	DWV-3-P-5	300-12
AWHP-20-5	300-19	CHLG-3-5	300-08	DWV-4-5	300-12
AWHP-22-5	300-19	CHLG-4-5	300-08	DWV-4-P-5	300-12
AWHP-24-5	300-19	CHLS-112-5	300-08	E-125C	100-01
AWHP-26-5	300-19	CHLS-114-5	300-08	E-125G	100-01
AWHP-30-5	300-19	CHLS-12-5	300-08	E-125-P	400-01
AWHPC-20-5	300-19	CHLS-1-5	300-08	ET-125C	100-01
AWHPC-22-5	300-19	CHLS-212-5	300-08	ET-125G	100-01
AWHPC-24-5	300-19	CHLS-2-5	300-08	ET-125-P	400-01
AWHPC-26-5	300-19	CHLS-34-5	300-08	ETS-125C	100-01
AWHPC-30-5	300-19	CHLS-3-5	300-08	ETS-125G	100-01
BBC-5	300-10	CHLS-4-5	300-08	ETSP-5	300-05
BBH-1000	300-12	CT-125	100-01	FB 44	300-04
BBH-1000-D	300-12	CT-125H	100-01	FDS-12	100-02
BBH-1000-P	300-12	CTS-125	100-01	FDS-9	100-02
BBH-500	300-12	CTS-125H	100-01	FHA-100-1212-4	200-02
BBH-500-D	300-12	DH12-34-5	300-06	FHA-100-1212-6	200-02
BBH-500-P	300-12	DS100-1-20B	200-04	FHA-100-1212-8	200-02
BBH-750	300-12	DS100-1-20G	200-04	FHA-100-1214-4	200-02
BBH-750-D	300-12	DS100-1-22B	200-04	FHA-100-1214-6	200-02
BBH-750-P	300-12	DS100-1-24B	200-04	FHA-100-1214-8	200-02
BCB-C	300-03	DS100-1-24C	200-04	FHA-100-1216-4	200-02
BCB-G	300-03	DS100-1-24G	200-04	FHA-100-1216-6	200-02
BD10-10-30B	200-05	DS100-1-28G	200-04	FHA-100-1216-8	200-02
BD10-10-30G	200-05	DS100-1-28G-58	200-04	FHA-100-1218-4	200-02
BD1-100-26G-112	200-05	DS100-5-20B	200-04	FHA-100-1218-6	200-02
BD1-100-26G-112H	200-05	DS100-5-20G	200-04	FHA-100-1218-8	200-02
BD1-100-28G-112	200-05	DS100-5-22B	200-04	FHA-100-1618-4	200-02
BD1-100-28G-112H	200-05	DS100-5-24B	200-04	FHA-100-1618-6	200-02
BD1-100-30B	200-05	DS100-5-24C	200-04	FHA-100-1618-8	200-02
BD1-100-30G	200-05	DS100-5-24G	200-04	FHA-100-1812-4	200-02
BD1-80-26G-112	200-05	DS100-5-28G	200-04	FHA-100-1812-6	200-02
BD1-80-26G-112H	200-05	DS100-5-28G-58	200-04	FHA-100-1812-8	200-02
BD1-80-28G-112	200-05	DS10-100-20B	200-04	FHA-100-1814-4	200-02
BD1-80-28G-112H	200-05	DS10-100-20G	200-04	FHA-100-1814-6	200-02
BH-10	100-02	DS10-100-22B	200-04	FHA-100-1814-8	200-02
BH-11	100-02	DS10-100-24B	200-04	FHA-100-1816-4	200-02
BH-12	100-02	DS10-100-24C	200-04	FHA-100-1816-6	200-02
BH-2	100-02	DS10-100-24G	200-04	FHA-100-1816-8	200-02
BH-8	100-02	DS10-100-28G	200-04	FHA-100-1818-4	200-02
BH-9	100-02	DS10-100-28G-58	200-04	FHA-100-1818-6	200-02
BHS-1P-5	300-06	DS10-10-20B	200-04	FHA-100-1818-8	200-02
BHS-2P-5	300-06	DS10-10-20G	200-04	FHA-100-2412-4	200-02
BHS-3P-5	300-06	DS10-10-22B	200-04	FHA-100-2412-6	200-02
BRH-1	300-13	DS10-10-24B	200-04	FHA-100-2412-8	200-02
BRH-112	300-13	DS10-10-24C	200-04	FHA-100-2414-4	200-02
BRH-12	300-13	DS10-10-24G	200-04	FHA-100-2414-6	200-02
BRH-2	300-13	DS10-10-28G	200-04	FHA-100-2414-8	200-02

PRODUCTS NUMBER INDEX

FHA-100-2416-4.....	200-02	HY12V-5.....	300-01	PS10-100-24C.....	200-04
FHA-100-2416-6.....	200-02	HY34H-5.....	300-01	PS10-100-24G.....	200-04
FHA-100-2416-8.....	200-02	HY34H-CPVC-5.....	300-01	PS10-100-28G.....	200-04
FHA-100-2418-4.....	200-02	HY34V-5.....	300-01	PS10-10-20B.....	200-04
FHA-100-2418-6.....	200-02	HZ-5.....	300-11	PS10-10-20G.....	200-04
FHA-100-2418-8.....	200-02	IPC-100-5.....	300-10	PS10-10-22B.....	200-04
FHA-100-2816-4.....	200-02	IPC-12-5.....	300-10	PS10-10-24B.....	200-04
FHA-100-2816-6.....	200-02	IPC-34-5.....	300-10	PS10-10-24C.....	200-04
FHA-100-2816-8.....	200-02	IS-18.....	300-02	PS10-10-24G.....	200-04
FHA-100-3218-4.....	200-02	IS-20.....	300-02	PS10-10-28G.....	200-04
FHA-100-3218-6.....	200-02	IS-26.....	300-02	PS-10120.....	300-02
FHA-100-3218-8.....	200-02	IT-50-5.....	100-01	PS-10120-R.....	300-02
FHA-100-612.....	200-02	LSB-1US-5.....	300-10	PS-10126.....	300-02
FHA-100-614.....	200-02	MS-18.....	300-01	PS-10720.....	300-02
FHA-100-616.....	200-02	MS-20.....	300-01	PS-10726.....	300-02
FHA-100-618.....	200-02	MS-26.....	300-01	PS-2.....	300-01
FHA-100-912-4.....	200-02	MS-500-18.....	300-01	PS25-6-20B.....	200-04
FHA-100-912-6.....	200-02	MS-500-20.....	300-01	PS25-6-20G.....	200-04
FHA-100-912-8.....	200-02	MS-500-26.....	300-01	PS25-6-22B.....	200-04
FHA-100-914-4.....	200-02	P-1000-5.....	300-07	PS25-6-24B.....	200-04
FHA-100-914-6.....	200-02	P3125-16SN.....	200-03	PS25-6-24C.....	200-04
FHA-100-914-8.....	200-02	P3126-16-R.....	200-03	PS25-6-24G.....	200-04
FHA-100-916-4.....	200-02	P3126-16SN.....	200-03	PS25-6-28G.....	200-04
FHA-100-916-6.....	200-02	P3128-16SN.....	200-03	PS50-1-20B.....	200-04
FHA-100-916-8.....	200-02	P-500-5.....	300-07	PS50-1-20G.....	200-04
FHA-100-918-4.....	200-02	P58-16-R.....	200-03	PS50-1-22B.....	200-04
FHA-100-918-6.....	200-02	P58-16SN.....	200-03	PS50-1-24B.....	200-04
FHA-100-918-8.....	200-02	P66-16-R.....	200-03	PS50-1-24C.....	200-04
FHA-200.....	200-02	P68-16-R.....	200-03	PS50-1-24G.....	200-04
FHA-28-30.....	200-03	P68-16SN.....	200-03	PS50-1-28G.....	200-04
FHA-28-50.....	200-03	P-750-5.....	300-07	PSB-500.....	400-02
FHA-300-1216.....	200-02	P812-16-R.....	200-03	PSB-500P.....	400-02
FHA-300-1218.....	200-02	PBAT-1-5.....	200-03	PSB-750.....	400-02
FHA-300-1816.....	200-02	PCS-112-5.....	300-08	PTS-1000B-5.....	400-01
FHA-300-1816-8.....	200-02	PCS-114-5.....	300-08	PTS-1000R-5.....	400-01
FHA-300-1818.....	200-02	PCS-1-5.....	300-08	PTS-1000W-5.....	400-01
FHA-300-2416-8.....	200-02	PCS-212-5.....	300-08	PTS-500B-5.....	400-01
FHA-300-612.....	200-02	PCS-2-5.....	300-08	PTS-500R-5.....	400-01
FHA-300-616.....	200-02	PCS-3-5.....	300-08	PTS-500W-5.....	400-01
FHA-300-912.....	200-02	PCS-4-5.....	300-08	PTS-750B-5.....	400-01
FHA-300-916.....	200-02	PCS-6-5.....	300-08	PTS-750R-5.....	400-01
FHA-312-1816.....	200-02	PHS-1-5.....	200-05	PTS-750W-5.....	400-01
FHA-400-1816.....	200-02	PHS-20-5.....	200-05	QSK-1.....	300-18
FHA-400-2416.....	200-02	PI 12CPVC-5.....	300-04	QSK-150.....	300-18
FHA-40-30.....	200-03	PI 34CPVC-5.....	300-04	RCGS-112-5.....	300-08
FHA-40-50.....	200-03	PI1000-5.....	300-04	RCGS-114-5.....	300-08
FHA-500-1816-6.....	200-03	PI500-5.....	300-04	RCGS-1-5.....	300-08
FHA-500-1816-8.....	200-03	PI750-5.....	300-04	RCGS-212-5.....	300-08
FHA-500-1816-8S.....	200-03	PMC-BM12-5.....	400-01	RCGS-2-5.....	300-08
FHA-52-30.....	200-03	PMC-SO12-5.....	400-01	RCGS-3-5.....	300-08
FHA-52-50.....	200-03	PMC-SO34-5.....	400-01	RCGS-4-5.....	300-08
FSW-1-5.....	200-05	PPB.....	300-03	RCGS-6-5.....	300-08
FSW-3-5.....	200-05	PS-1.....	300-01	RCHS-112-5.....	300-08
FTNC.....	300-06	PS100-1-20B.....	200-04	RCHS-114-5.....	300-08
FTNC1.....	300-06	PS100-1-20G.....	200-04	RCHS-1-5.....	300-08
FTNPC.....	300-06	PS100-1-22B.....	200-04	RCHS-212-5.....	300-08
FTNPC1.....	300-06	PS100-1-24B.....	200-04	RCHS-2-5.....	300-08
FTNZ.....	300-06	PS100-1-24C.....	200-04	RCHS-3-5.....	300-08
FTNZ1.....	300-06	PS100-1-24G.....	200-04	RCHS-3-5.....	300-08
GWS-412.....	100-02	PS100-1-28G.....	200-04	RCHS-4-5.....	300-08
GWS-49.....	100-02	PS100-5-20B.....	200-04	RCHS-6-5.....	300-08
HP-5.....	300-11	PS100-5-20G.....	200-04	RF-BM138-5.....	300-11
HP-500.....	400-02	PS100-5-22B.....	200-04	RF-BM21238-5.....	300-11
HP-750.....	400-02	PS100-5-24B.....	200-04	RF-BM238-5.....	300-11
HPA-500.....	400-02	PS100-5-24C.....	200-04	RF-SM238-5.....	300-11
HPA-750.....	400-02	PS100-5-24G.....	200-04	SBT-125.....	200-05
HY-118.....	300-01	PS100-5-28G.....	200-04	SC-100A-5.....	300-09
HY-120.....	300-01	PS10-100-20B.....	200-04	SC-101A-5.....	300-09
HY-126.....	300-01	PS10-100-20G.....	200-04	SC-102A-5.....	300-09
HY12H-5.....	300-01	PS10-100-22B.....	200-04	SC-103A-5.....	300-09
HY12H-CPVC-5.....	300-01	PS10-100-24B.....	200-04	SC-104A-5.....	300-09
				SC-105A-5.....	300-09

PRODUCTS NUMBER INDEX

SC-106A-5.....	300-09	TH-2.....	300-10
SC-107A-5.....	300-09	TPC-1P-5.....	300-06
SC-108A-5.....	300-09	TPC-2P-5.....	300-06
SC-109A-5.....	300-09	TPC-3P-5.....	300-06
SC-110A-5.....	300-09	TRC-38118-5.....	300-11
SC-111A-5.....	300-09	TRP-5.....	300-11
SC-112A-5.....	300-09	TRZ-5.....	300-11
SC-1P-5.....	300-06	TS-1238-5.....	300-11
SC-2P-5.....	300-06	TS-12-5.....	300-06
SC-3P-5.....	300-06	TS-238-5.....	300-11
SCQ-100.....	300-05	TS-338-5.....	300-11
SCQ-12.....	300-05	TS-34-5.....	300-06
SCQ-34.....	300-05	TS-438-5.....	300-11
SCR-12.....	300-05	TS-638-5.....	300-11
SCR-34.....	300-05	UC-100-5.....	200-05
SH-1.....	300-13	UPH-10W-5.....	300-12
SH-112.....	300-13	UPH-14W-5.....	300-12
SH-114.....	300-13	UPH-26W-5.....	300-12
SH-12.....	300-13	WCB.....	300-03
SH-2.....	300-13	WCB-G.....	300-04
SH-3.....	300-13	WCB-GM.....	300-04
SH-34.....	300-13	WCB-M.....	300-03
SH-4.....	300-13	WCR-L.....	300-19
SMS-112-5.....	300-08	WCR-NL.....	300-19
SMS-114-5.....	300-08	WHP-24-5.....	300-19
SMS-1-5.....	300-08	WHP-26-5.....	300-19
SMS-2-5.....	300-08	WHP-30-5.....	300-19
SMS-34-5.....	300-08	WHPC-20-5.....	300-19
SOS-112-5.....	300-08	WHPC-22-5.....	300-19
SOS-114-5.....	300-08	WHPC-24-5.....	300-19
SOS-1-5.....	300-08	WHPC-26-5.....	300-19
SOS-2-5.....	300-08	WHPC-30-5.....	300-19
SOS-34-5.....	300-08	WHS-1.....	300-17
SRC.....	300-18	WHS-1EN.....	300-18
SRF-100-5.....	300-09	WHS-1FA.....	300-17
SRF-112-5.....	300-09	WHS-1FAEN.....	300-18
SRF-114-5.....	300-09	WHS-1SP.....	300-17
SRF-12-5.....	300-09	WHS-2.....	300-17
SRF-200-5.....	300-09	WMP-1-5.....	300-19
SRF-212-5.....	300-09	WP-5.....	300-11
SRF-300-5.....	300-09	WZ-5.....	300-11
SRF-34-5.....	300-09		
SRF-400-5.....	300-09		
SRR-100-5.....	300-09		
SRR-112-5.....	300-09		
SRR-114-5.....	300-09		
SRR-12-5.....	300-09		
SRR-200-5.....	300-09		
SRR-212-5.....	300-09		
SRR-300-5.....	300-09		
SRR-34-5.....	300-09		
SRR-400-5.....	300-09		
SRS-112-5.....	300-08		
SRS-114-5.....	300-08		
SRS-12-5.....	300-08		
SRS-1-5.....	300-08		
SRS-212-5.....	300-08		
SRS-2-5.....	300-08		
SRS-34-5.....	300-08		
SRS-3-5.....	300-08		
SRS-4-5.....	300-08		
SSA1-12.....	400-01		
SSA1-34.....	400-01		
SSAT-12.....	400-01		
SSAT-34.....	400-01		
SSC-12.....	400-01		
SSC-34.....	400-01		
SSC-5.....	300-19		
SSLR.....	300-05		
SSRP.....	200-03		
TH-1.....	300-10		



MADE IN USA
STURGEON BAY, WI

EST. 1962