



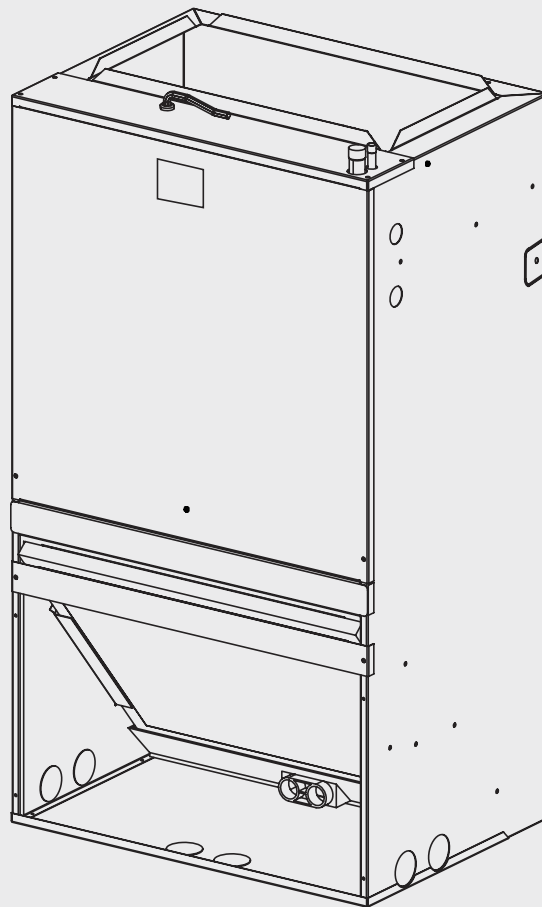
BOSCH

Product Specifications

Split System Heat Pump

Bosch BWA Series

Wall Mounted Air Handler Units | 1.5-3 Ton Capacity | R410A



BTC 761701323 A / 05.2023



Table of Contents

1 Product Features	4
1.1 Features and Benefits	4
1.2 Limited Warranty	4
2 Nomenclature	5
3 Product Specifications	6
4 Dimensional Data	8
4.1 Unit Dimensions	8
4.2 Unit Back Dimensions	9
5 Extended Performance	10
6 Airflow Performance	16
7 Electric Heat Kit MCA/MOP Data	17
7.1 EHK Without Unit	17
7.2 EHK With Unit	17
7.3 Heater Kit Accessories	17

1 Product Features

1.1 Features and Benefits

- ▶ Elevated Efficiency - Up to 16.1 SEER2, up to 9.0 HSPF2
- ▶ All aluminum evaporator coil for superior corrosion resistance
- ▶ Constant torque multi-speed ECM blower motor - designed for enhanced humidity control
- ▶ 5, 8, 10kW electric heat accessory kits available for supplemental or emergency heating needs
- ▶ Easy to install – compatible with most standard 24 VAC heat pump thermostats
- ▶ Factory-installed TXV metering
- ▶ Front or bottom return available for field conversion
- ▶ Thermoplastic drain pan with primary and secondary condensate drain fittings
- ▶ Integrated filter rack with tool-less door access
- ▶ AHRI and ETL Listed

1.2 Limited Warranty

For Products installed in a one or two family residential dwelling, BTC warrants that all compressors and internal components incorporated into the Product at the time of shipment by BTC shall remain free from defects in workmanship and materials for ten (10) years* from the Commencement Date. If the Warranty Registration process has been completed and BTC determines that the Product or any part of the Product has a defect in workmanship or materials, BTC shall pay labor charges associated with the repair or replacement of the part in accordance with the Warranty Labor Allowance Schedule** for the period of ninety (90) days from the Commencement Date.

* Please refer to www.bosch-homecomfort.us for full warranty terms and conditions.

** Warranty Labor Allowance Schedule details are available on www.boschprohvac.com.

2 Nomenclature

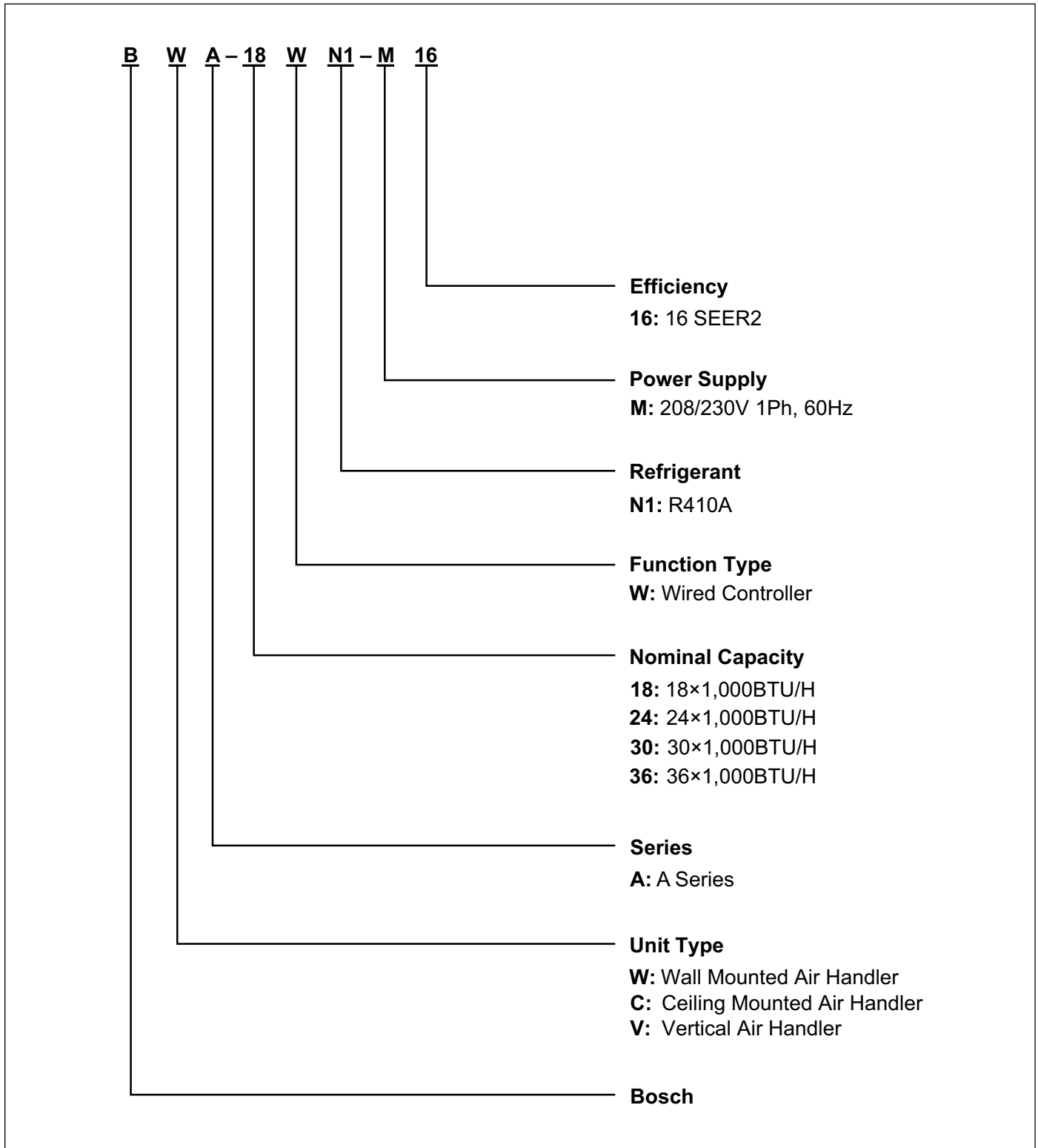


Figure 1 Model Nomenclature

3 Product Specifications

	BWA018	BWA024	BWA030	BWA036
Cooling Capacity				
Nominal Cooling (BTU/h)	18000	23800	29400	34000
Nominal Heating (BTU/h)	18000	23800	29400	34000
Blower				
Diameter (mm)	11-3/16" (284)	11-3/16" (284)	11-3/16" (284)	11-3/16" (284)
Width (mm)	6-1/8" (156)	6-1/8" (156)	9-5/8" (245)	9-5/8" (245)
Fan Motor				
Horsepower (HP)	1/3	1/3	1/2	1/2
Full Load Amps	1.9	1.9	2.7	2.7
Refrigeration System				
Refrigerant Line Size ¹				
Liquid Line Size (O.D.)	3/8in	3/8in	3/8in	3/8in
Suction Line Size (O.D.)	3/4in	3/4in	3/4in	3/4in
Refrigerant Connection Size				
Liquid Line Size (O.D.)	3/8in	3/8in	3/8in	3/8in
Suction Line Size (O.D.)	3/4in	3/4in	3/4in	3/4in
Expansion Device	TXV [Thermal Expansion Valve]			
Sound Rating dB(A)				
High Speed	51	51	52	52
Electrical Data				
Voltage-Phase-Hz	208/230-1Ph-60Hz	208/230-1Ph-60Hz	208/230-1Ph-60Hz	208/230-1Ph-60Hz
Minimum Circuit Ampacity ²	2.4	2.4	3.4	3.4
Max. Overcurrent Protection ³	15A	15A	15A	15A
Min / Max Volts	187V / 253V			
Air Filter				
Air Filter Sizes (in.)	16 x 20 x 1	16 x 20 x 1	20 x 20 x 1	20 x 20 x 1
Weight				
Net Weight (without packaging)(lbs)	79	79	97	97
Gross Weight (including packaging)(lbs) ⁴	98	98	116	116
Dimensions				
W x H x D (in.)	20-1/2 x 36-1/2 x 15	20-1/2 x 36-1/2 x 15	22 x 39-1/2 x 19	22 x 39-1/2 x 19
Unit W x H x D (in.)(with pallet & packaging)	22-7/8 x 41-5/16 x 17-3/16	22-7/8 x 41-5/16 x 17-3/16	24-1/4 x 44-1/2 x 21-1/4	24-1/4 x 44-1/2 x 21-1/4
Indoor Coil				
Net face area-sq.ft.	2.20	2.20	3.00	3.00
Tube diameter	9/32" (7mm)	9/32" (7mm)	9/32" (7mm)	9/32" (7mm)
No. of rows	5	5	5	5
Fins per inch	17	17	17	17

Table 1

¹ Tested and rated in accordance with AHRI Standard 210/240.

² Wire size should be determined in accordance with National Electrical Codes; extensive wire runs will require larger wire sizes.

³ Must use time-delay fuses or HACR-type circuit breakers of the same size as noted.

⁴ Weight shown includes packaging


Inverter Ducted Split AHRI 210/240-2023 Performance Data									
System Configuration	Outdoor Unit Model	Indoor Unit Model	Cooling Capacity (BTU/h)			Heating Capacity (BTU/h)			CFM
			Total	EER2 ¹	SEER2 ²	Hi	HSPF2 ³	Low	
BOVA 15 with BWA 16	BOVA-24HDN1-M15G	BWA-18WN1-M16	18000	11.7	16.1	18000	9.0	15000	640
	BOVA-24HDN1-M15G	BWA-24WN1-M16	23800	10.5	15.2	23800	9.0	20200	820
	BOVA-36HDN1-M15G	BWA-30WN1-M16	29400	11.7	16.1	29400	9.0	21400	1100
	BOVA-36HDN1-M15G	BWA-36WN1-M16	34000	10.6	16.1	34000	9.0	24800	1120

Table 2

¹ Energy Efficiency Ratio 2; Certified per AHRI 210/240-2023

² Seasonal Energy Efficiency Ratio 2; Certified per AHRI 210/240-2023

³ HSPF = Heating Seasonal Performance Factor 2; Certified per AHRI 210/240-2023

 Items in bold boxes meet the requirements for ENERGY STAR v6.1

4 Dimensional Data

4.1 Unit Dimensions

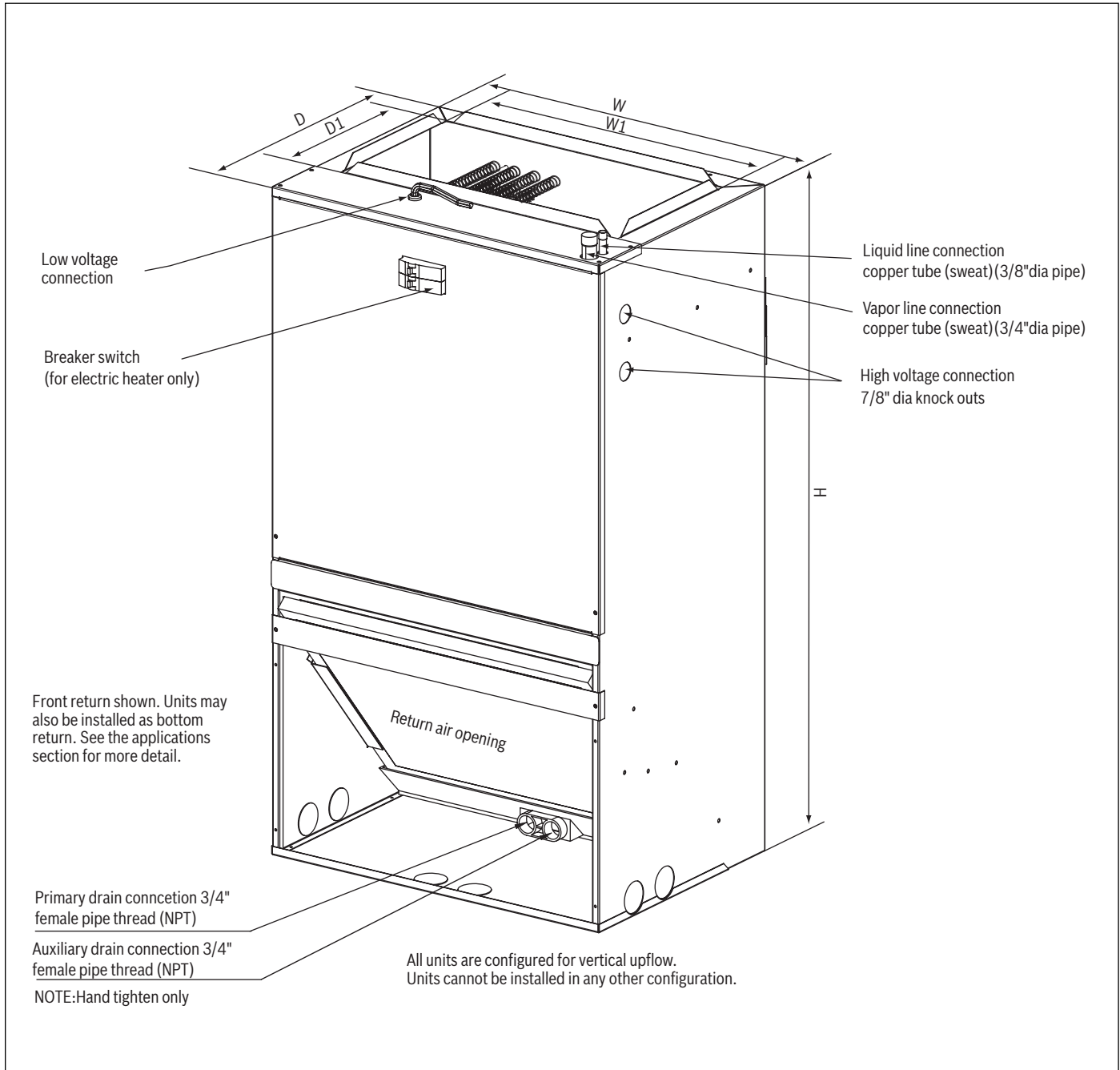


Figure 2 Unit dimensions

Model Size	Dimensions Inch [mm]					
	Unit Height "H"	Unit Width "W"	Unit Length "D"	Supply Duct Width "W1"	Supply Duct Length "D1"	Liquid Line/ Vapor Line
18	36-1/2 [928]	20-1/2 [521]	15 [381]	17-7/16 [442]	9-1/2 [242]	3/8 / 3/4 [9.5] / [19]
24	36-1/2 [928]	20-1/2 [521]	15 [381]	17-7/16 [442]	9-1/2 [242]	3/8 / 3/4 [9.5] / [19]
30	39-1/2 [1004]	22 [559]	19 [483]	18-13/16 [478]	9-1/2 [242]	3/8 / 3/4 [9.5] / [19]
36	39-1/2 [1004]	22 [559]	19 [483]	18-13/16 [478]	9-1/2 [242]	3/8 / 3/4 [9.5] / [19]

Table 3

4.2 Unit Back Dimensions

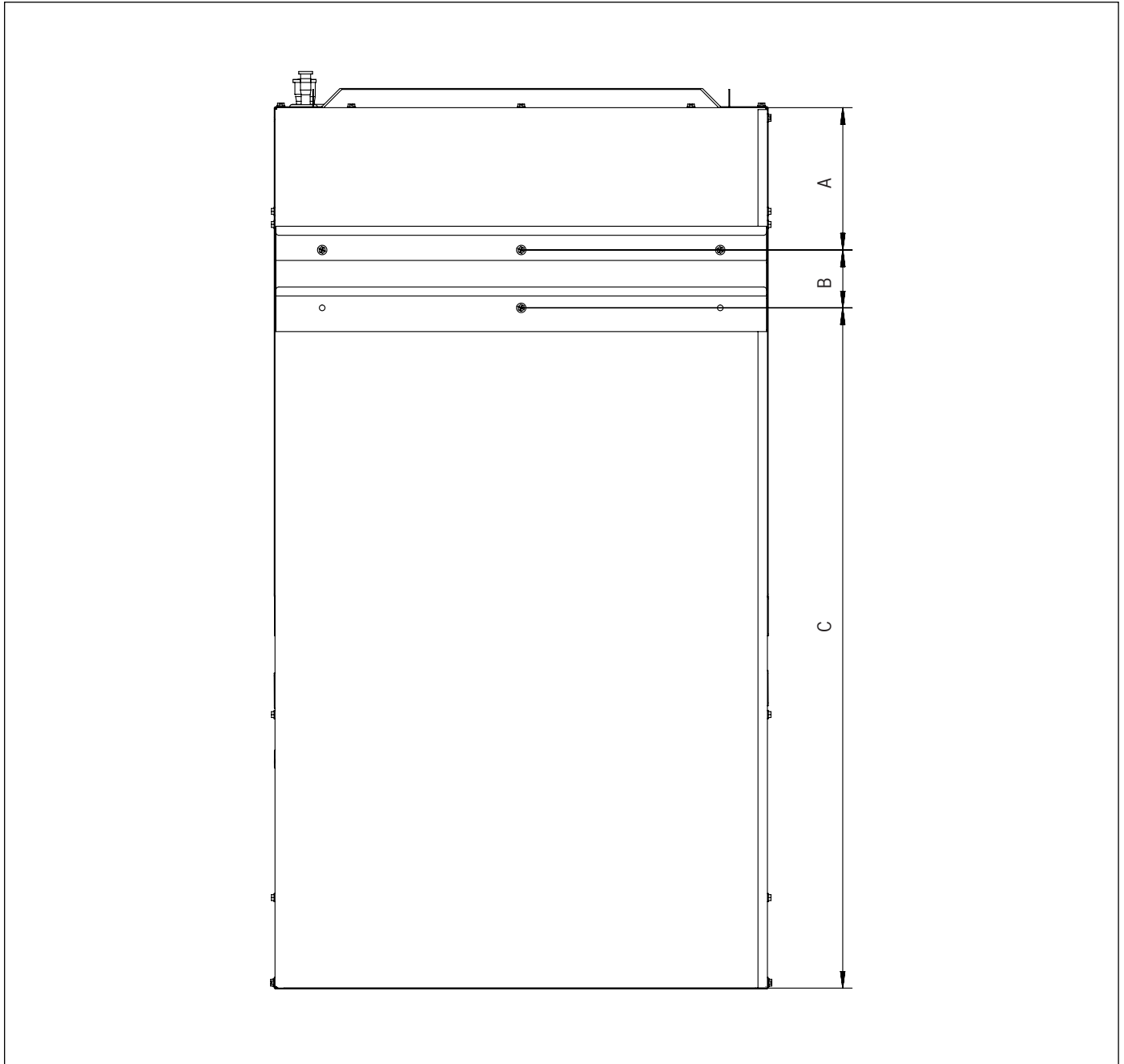


Figure 3 Unit back dimensions

Model Size	Dimensions Inch [mm]		
	A	B	C
18	5-15/16 [150]	2-7/16 [61]	28-1/4 [717]
24	5-15/16 [150]	2-7/16 [61]	28-1/4 [717]
30	5-15/16 [150]	2-7/16 [61]	31-5/16 [795]
36	5-15/16 [150]	2-7/16 [61]	31-5/16 [795]

Table 4

5 Extended Performance

BOVA15-24 + BWA16-18 For Cooling																		
Indoor Airflow (CFM)	Outdoor DB(°F)	IWB (°F) IDB (°F)	59				63				67				71			
			70	75	80	85	70	75	80	85	70	75	80	85	70	75	80	85
550	65	TC	14.3	14.5	14.9	15.0	14.7	15.0	15.1	15.3	15.6	15.9	16.1	16.3	/	20.2	20.4	20.7
		S/T	0.90	0.95	0.98	0.99	0.65	0.84	0.95	0.96	0.40	0.58	0.74	0.92	/	0.39	0.54	0.70
		kW	0.88	0.88	0.89	0.89	0.89	0.89	0.90	0.91	0.90	0.91	0.91	0.92	/	1.11	1.12	1.13
	75	TC	14.4	14.6	15.0	15.1	14.9	15.1	15.3	15.5	15.8	16.1	16.2	16.5	/	19.9	20.1	20.4
		S/T	0.90	0.95	0.98	0.99	0.65	0.84	0.95	0.96	0.40	0.58	0.74	0.92	/	0.39	0.54	0.70
		kW	1.00	1.01	1.02	1.02	1.02	1.02	1.03	1.04	1.04	1.04	1.05	1.06	/	1.31	1.32	1.34
	85	TC	14.4	14.6	15.0	15.1	14.9	15.1	15.3	15.5	15.8	16.1	16.2	16.5	/	19.9	20.1	20.4
		S/T	0.90	0.95	0.98	0.99	0.65	0.84	0.95	0.96	0.40	0.58	0.74	0.92	/	0.39	0.54	0.70
		kW	1.16	1.17	1.18	1.18	1.18	1.19	1.20	1.20	1.20	1.21	1.22	1.22	/	1.43	1.44	1.46
	95	TC	14.3	14.5	14.9	15.0	14.8	15.0	15.2	15.4	15.7	16.1	16.2	16.5	/	19.8	20.0	20.2
		S/T	0.90	0.95	0.98	0.99	0.65	0.84	0.95	0.96	0.40	0.58	0.74	0.92	/	0.39	0.54	0.70
		kW	1.35	1.36	1.37	1.37	1.37	1.38	1.39	1.40	1.40	1.41	1.42	1.43	/	1.69	1.70	1.71
	105	TC	14.2	14.5	14.8	15.0	14.7	15.0	15.1	15.3	15.7	16.0	16.2	16.4	/	19.0	19.3	19.5
		S/T	0.91	0.96	0.99	0.99	0.66	0.85	0.96	0.97	0.41	0.59	0.75	0.93	/	0.40	0.55	0.71
		kW	1.56	1.56	1.58	1.58	1.57	1.58	1.61	1.61	1.62	1.63	1.64	1.65	/	1.97	1.98	1.99
	115	TC	13.3	13.6	13.9	14.1	13.9	14.1	14.3	14.5	15.0	15.2	15.3	15.5	/	18.9	19.0	19.4
		S/T	0.93	0.98	0.99	0.99	0.68	0.87	0.98	0.99	0.43	0.61	0.77	0.95	/	0.42	0.57	0.72
		kW	1.76	1.78	1.79	1.79	1.79	1.81	1.83	1.84	1.84	1.86	1.87	1.89	/	2.28	2.29	2.30
650	65	TC	16.8	17.0	17.4	17.6	17.3	17.6	17.7	17.9	18.6	18.7	18.9	19.1	/	23.0	23.2	23.4
		S/T	0.9	0.97	0.99	0.99	0.68	0.87	0.98	0.99	0.43	0.61	0.76	0.94	/	0.41	0.55	0.71
		kW	1.1	1.07	1.07	1.07	1.07	1.08	1.09	1.10	1.09	1.11	1.12	1.13	/	1.41	1.43	1.44
	75	TC	16.5	16.8	17.2	17.4	17.2	17.3	17.6	17.7	18.4	18.6	18.7	18.7	/	23.0	23.2	23.4
		S/T	0.92	0.97	0.99	0.99	0.68	0.87	0.98	0.99	0.43	0.61	0.76	0.95	/	0.41	0.55	0.71
		kW	1.21	1.23	1.24	1.24	1.24	1.24	1.26	1.26	1.27	1.28	1.29	1.29	/	1.55	1.57	1.58
	85	TC	16.5	16.7	17.1	17.3	17.0	17.3	17.5	17.7	18.4	18.5	18.6	18.7	/	22.8	23.0	23.1
		S/T	0.92	0.97	0.99	0.99	0.68	0.88	0.98	0.99	0.43	0.61	0.76	0.95	/	0.41	0.55	0.71
		kW	1.33	1.35	1.36	1.36	1.36	1.37	1.38	1.39	1.41	1.41	1.41	1.43	/	1.69	1.70	1.72
	95	TC	16.3	16.6	17.0	17.1	16.9	17.2	17.3	17.6	18.1	18.3	18.6	18.6	/	22.0	22.2	22.2
		S/T	0.92	0.97	0.99	0.99	0.68	0.88	0.98	0.99	0.43	0.61	0.76	0.95	/	0.41	0.55	0.71
		kW	1.51	1.53	1.54	1.54	1.54	1.55	1.56	1.58	1.59	1.60	1.60	1.61	/	2.00	2.01	2.02
	105	TC	14.7	15.0	15.2	15.4	16.1	16.4	16.6	16.8	17.2	17.3	17.5	17.7	/	20.4	20.6	20.7
		S/T	0.93	0.98	0.99	0.99	0.69	0.89	0.99	0.99	0.44	0.62	0.77	0.96	/	0.42	0.56	0.71
		kW	1.76	1.78	1.79	1.79	1.79	1.80	1.82	1.83	1.84	1.85	1.86	1.87	/	2.24	2.26	2.28
	115	TC	14.5	14.7	15.0	15.2	15.9	16.1	16.4	16.6	16.9	17.1	17.2	17.5	/	20.2	20.4	20.4
		S/T	0.95	0.99	0.99	0.99	0.71	0.91	0.99	0.99	0.46	0.64	0.79	0.98	/	0.44	0.58	0.73
		kW	2.00	2.01	2.02	2.03	2.03	2.04	2.09	2.11	2.12	2.14	2.15	2.17	/	2.55	2.56	2.56
750	65	TC	19.3	19.5	20.0	20.2	20.0	20.2	20.4	20.7	21.4	21.5	21.8	22.0	/	26.5	26.8	26.9
		S/T	0.94	0.98	0.99	0.99	0.69	0.88	0.99	0.99	0.44	0.62	0.78	0.96	/	0.42	0.55	0.71
		kW	1.3	1.28	1.30	1.30	1.30	1.31	1.32	1.33	1.33	1.33	1.35	1.36	/	1.70	1.73	1.75
	75	TC	18.5	18.6	19.0	19.3	19.0	19.3	19.5	19.7	20.4	20.6	20.8	21.0	/	24.9	25.1	25.3
		S/T	0.94	0.98	0.99	0.99	0.69	0.88	0.99	0.99	0.44	0.62	0.78	0.97	/	0.42	0.55	0.71
		kW	1.50	1.50	1.50	1.50	1.50	1.50	1.50	1.50	1.50	1.50	1.60	1.60	/	1.90	1.90	1.90
	85	TC	18.2	18.5	18.8	19.0	18.8	19.0	19.3	19.5	20.2	20.4	20.5	20.7	/	24.4	24.7	24.9
		S/T	0.94	0.98	0.99	0.99	0.69	0.89	0.99	0.99	0.44	0.62	0.79	0.97	/	0.42	0.55	0.71
		kW	1.60	1.60	1.60	1.60	1.60	1.60	1.60	1.70	1.70	1.70	1.70	1.70	/	2.00	2.10	2.10
	95	TC	18.0	18.2	18.6	18.8	18.6	18.8	19.0	19.2	19.9	20.1	20.3	20.5	/	23.5	23.6	23.7
		S/T	0.94	0.98	0.99	0.99	0.69	0.89	0.99	0.99	0.44	0.62	0.79	0.97	/	0.42	0.56	0.72
		kW	1.80	1.90	1.90	1.90	1.90	1.90	1.90	1.90	1.90	2.00	2.00	2.00	/	2.30	2.30	2.30
	105	TC	16.6	16.8	17.3	17.5	17.3	17.5	17.6	17.9	18.5	18.7	18.8	19.0	/	21.5	21.7	21.7
		S/T	0.95	0.99	0.99	0.99	0.70	0.90	0.99	0.99	0.45	0.63	0.81	0.99	/	0.43	0.57	0.74
		kW	2.10	2.10	2.20	2.20	2.20	2.20	2.20	2.20	2.20	2.20	2.30	2.30	/	2.50	2.50	2.50
	115	TC	16.1	16.4	16.8	17.0	16.8	17.0	17.2	17.4	17.9	18.0	18.2	18.4	/	19.6	19.7	19.9
		S/T	0.96	0.99	0.99	0.99	0.71	0.92	0.99	0.99	0.47	0.65	0.83	0.99	/	0.46	0.60	0.77
		kW	2.40	2.40	2.40	2.40	2.40	2.40	2.50	2.50	2.50	2.50	2.60	2.60	/	2.60	2.60	2.60

Table 5

TC refers to total capacity in kBTU/hr S/T: refer to the ratio of sensible heat and total capacity
kW: refer to total input power

BOVA15-24 + BWA16-24 For Cooling																		
Indoor Airflow (CFM)	Outdoor DB(°F)	IWB (°F)	59				63				67				71			
			IDB (°F)	70	75	80	85	70	75	80	85	70	75	80	85	70	75	80
700	65	TC	16.8	17.0	17.5	17.7	17.3	17.6	17.8	18.0	18.4	18.7	18.9	19.2	/	23.8	24.0	24.4
		S/T	0.91	0.96	0.99	1.00	0.65	0.85	0.96	0.97	0.40	0.58	0.75	0.93	/	0.39	0.54	0.70
		kW	1.22	1.22	1.23	1.23	1.23	1.24	1.25	1.26	1.25	1.26	1.27	1.28	/	1.54	1.55	1.57
	75	TC	16.9	17.2	17.6	17.8	17.5	17.8	18.0	18.2	18.6	18.9	19.1	19.4	/	23.4	23.7	24.0
		S/T	0.91	0.96	0.99	1.00	0.65	0.85	0.96	0.97	0.40	0.58	0.75	0.93	/	0.39	0.54	0.70
		kW	1.39	1.40	1.41	1.41	1.41	1.42	1.43	1.44	1.44	1.45	1.46	1.47	/	1.82	1.84	1.86
	85	TC	16.9	17.2	17.6	17.8	17.5	17.8	18.0	18.2	18.6	18.9	19.1	19.4	/	23.4	23.6	24.0
		S/T	0.91	0.96	0.99	1.00	0.65	0.85	0.96	0.97	0.40	0.58	0.75	0.93	/	0.39	0.54	0.70
		kW	1.61	1.62	1.64	1.64	1.64	1.65	1.66	1.67	1.67	1.68	1.69	1.70	/	1.99	2.00	2.03
	95	TC	16.8	17.1	17.5	17.7	17.4	17.7	17.9	18.1	18.5	18.9	19.1	19.4	/	23.3	23.5	23.8
		S/T	0.91	0.96	0.99	1.00	0.65	0.85	0.96	0.97	0.40	0.58	0.75	0.93	/	0.39	0.54	0.70
		kW	1.87	1.89	1.90	1.90	1.90	1.92	1.93	1.94	1.95	1.96	1.97	1.99	/	2.35	2.36	2.38
	105	TC	16.7	17.0	17.4	17.6	17.3	17.6	17.8	18.0	18.5	18.8	19.0	19.3	/	22.4	22.7	22.9
		S/T	0.92	0.97	1.00	1.00	0.66	0.86	0.97	0.98	0.41	0.59	0.76	0.94	/	0.40	0.55	0.71
		kW	2.16	2.17	2.19	2.19	2.18	2.20	2.23	2.24	2.25	2.26	2.28	2.29	/	2.73	2.75	2.77
	115	TC	15.7	16.0	16.4	16.6	16.3	16.6	16.8	17.1	17.6	17.9	18.0	18.2	/	22.2	22.4	22.8
		S/T	0.94	0.99	1.00	1.00	0.68	0.88	0.99	1.00	0.43	0.61	0.78	0.96	/	0.42	0.57	0.73
		kW	2.45	2.47	2.49	2.49	2.49	2.51	2.54	2.56	2.56	2.58	2.60	2.62	/	3.16	3.18	3.20
800	65	TC	21.5	21.8	22.3	22.6	22.2	22.5	22.7	23.0	23.8	24.0	24.2	24.5	/	29.5	29.8	30.0
		S/T	0.93	0.98	1.00	1.00	0.68	0.88	0.99	1.00	0.43	0.61	0.77	0.95	/	0.41	0.55	0.71
		kW	1.49	1.50	1.51	1.51	1.51	1.52	1.54	1.55	1.54	1.57	1.58	1.59	/	1.98	2.01	2.03
	75	TC	21.2	21.6	22.1	22.3	22.0	22.2	22.5	22.7	23.6	23.9	24.0	24.0	/	29.5	29.8	30.0
		S/T	0.93	0.98	1.00	1.00	0.68	0.88	0.99	1.00	0.43	0.61	0.77	0.96	/	0.41	0.55	0.71
		kW	1.71	1.73	1.74	1.74	1.74	1.75	1.77	1.78	1.79	1.80	1.81	1.81	/	2.19	2.21	2.23
	85	TC	21.1	21.4	21.9	22.2	21.8	22.2	22.4	22.7	23.6	23.7	23.9	24.0	/	29.2	29.5	29.6
		S/T	0.93	0.98	1.00	1.00	0.68	0.89	0.99	1.00	0.43	0.61	0.77	0.96	/	0.41	0.55	0.71
		kW	1.88	1.90	1.91	1.91	1.91	1.93	1.94	1.96	1.98	1.98	1.98	2.01	/	2.38	2.40	2.42
	95	TC	20.9	21.3	21.8	21.9	21.7	22.0	22.2	22.6	23.2	23.4	23.8	23.9	/	28.2	28.4	28.5
		S/T	0.93	0.98	1.00	1.00	0.68	0.89	0.99	1.00	0.43	0.61	0.77	0.96	/	0.41	0.55	0.71
		kW	2.13	2.15	2.17	2.17	2.17	2.19	2.20	2.22	2.24	2.26	2.26	2.27	/	2.82	2.83	2.84
	105	TC	18.9	19.2	19.5	19.8	20.7	21.0	21.3	21.6	22.0	22.2	22.4	22.7	/	26.2	26.4	26.5
		S/T	0.94	0.99	1.00	1.00	0.69	0.90	1.00	1.00	0.44	0.62	0.78	0.97	/	0.42	0.56	0.72
		kW	2.48	2.50	2.52	2.52	2.52	2.54	2.56	2.58	2.59	2.61	2.62	2.64	/	3.16	3.18	3.21
	115	TC	18.6	18.9	19.2	19.5	20.4	20.7	21.0	21.3	21.7	21.9	22.1	22.4	/	25.9	26.1	26.2
		S/T	0.96	1.00	1.00	1.00	0.71	0.92	1.00	1.00	0.46	0.64	0.80	0.99	/	0.44	0.58	0.74
		kW	2.81	2.83	2.84	2.86	2.86	2.88	2.95	2.97	2.99	3.01	3.03	3.05	/	3.59	3.60	3.61
900	65	TC	24.7	25.0	25.6	25.9	25.6	25.9	26.2	26.5	27.4	27.6	27.9	28.2	/	34.0	34.3	34.5
		S/T	0.95	0.99	1.00	1.00	0.69	0.89	1.00	1.00	0.44	0.62	0.79	0.97	/	0.42	0.55	0.71
		kW	1.79	1.80	1.83	1.83	1.83	1.84	1.86	1.87	1.87	1.88	1.90	1.91	/	2.40	2.43	2.46
	75	TC	24.7	24.9	25.5	25.8	25.5	25.8	26.1	26.4	27.3	27.6	27.8	28.1	/	33.3	33.6	33.9
		S/T	0.95	0.99	1.00	1.00	0.69	0.89	1.00	1.00	0.44	0.62	0.79	0.98	/	0.42	0.55	0.71
		kW	2.05	2.06	2.08	2.08	2.08	2.10	2.11	2.13	2.13	2.15	2.17	2.18	/	2.59	2.62	2.64
	85	TC	24.4	24.7	25.2	25.5	25.2	25.5	25.8	26.1	27.0	27.3	27.5	27.7	/	32.7	33.0	33.3
		S/T	0.95	0.99	1.00	1.00	0.69	0.90	1.00	1.00	0.44	0.62	0.80	0.98	/	0.42	0.55	0.71
		kW	2.20	2.22	2.24	2.24	2.24	2.26	2.28	2.30	2.31	2.33	2.34	2.35	/	2.84	2.86	2.91
	95	TC	24.1	24.4	24.9	25.2	24.9	25.2	25.5	25.7	26.7	26.9	27.2	27.4	/	31.5	31.6	31.7
		S/T	0.95	0.99	1.00	1.00	0.69	0.90	1.00	1.00	0.44	0.62	0.80	0.98	/	0.42	0.56	0.73
		kW	2.55	2.57	2.59	2.59	2.59	2.61	2.64	2.66	2.67	2.69	2.71	2.73	/	3.24	3.25	3.26
	105	TC	22.2	22.5	23.1	23.4	23.1	23.4	23.6	23.9	24.8	25.0	25.2	25.5	/	28.8	29.0	29.1
		S/T	0.96	1.00	1.00	1.00	0.70	0.91	1.00	1.00	0.45	0.63	0.82	1.00	/	0.43	0.57	0.75
		kW	2.94	2.97	2.99	2.99	2.99	3.02	3.05	3.07	3.08	3.10	3.13	3.15	/	3.51	3.51	3.51
	115	TC	21.6	21.9	22.5	22.7	22.5	22.7	23.0	23.3	23.9	24.1	24.4	24.6	/	26.3	26.4	26.6
		S/T	0.97	1.00	1.00	1.00	0.72	0.93	1.00	1.00	0.47	0.65	0.84	1.00	/	0.46	0.60	0.78
		kW	3.31	3.36	3.39	3.39	3.39	3.42	3.45	3.48	3.49	3.51	3.56	3.58	/	3.62	3.62	3.63

Table 6

TC refers to total capacity in kBTU/hr S/T: refer to the ratio of sensible heat and total capacity
kW: refer to total input power

BOVA15-24 + BWA16-18 For Heating																		
Airflow (CFM)	ID(°F)	OD(°F)	86	72	67	62	57	52	47	42	37	32	27	22	17	12	7	5
550	60	TC	20.3	20.1	19.9	19.7	19.5	19.5	19.6	19.9	19.9	18.9	18.8	17.6	18.2	17.7	14.6	13.9
		kW	1.5	1.6	1.6	1.6	1.8	1.8	1.9	1.9	2.0	1.9	1.9	1.9	1.9	1.9	2.0	2.0
	70	TC	14.8	14.8	14.8	14.8	14.8	14.7	14.6	14.5	14.5	14.5	14.2	14.2	14.6	13.4	10.7	10.3
		kW	1.1	1.2	1.2	1.3	1.3	1.4	1.4	1.4	1.4	1.6	1.6	1.7	1.8	2.0	2.1	2.0
	75	TC	12.5	12.5	12.5	12.4	12.4	12.4	12.3	12.3	12.2	12.2	11.9	11.8	12.5	11.8	9.8	9.6
		kW	1.1	1.1	1.1	1.2	1.2	1.3	1.3	1.4	1.4	1.5	1.5	1.6	1.7	1.7	1.9	2.0
	80	TC	9.9	9.9	9.8	9.8	9.8	9.8	9.8	9.7	9.7	9.7	9.3	9.3	9.9	9.3	7.6	7.4
		kW	1.0	1.0	1.0	1.1	1.1	1.2	1.2	1.3	1.4	1.5	1.4	1.5	1.6	1.7	1.8	1.8
650	60	TC	23.7	23.7	23.3	23.3	23.3	23.2	23.4	22.3	21.1	20.2	19.8	18.5	19.1	18.1	16.1	15.6
		kW	1.5	1.7	1.7	1.8	1.8	1.8	1.9	1.9	1.9	1.9	1.8	1.8	2.2	2.1	2.1	2.0
	70	TC	18.4	18.4	18.4	18.3	18.3	18.3	18.3	18.1	18.1	18.0	17.6	17.0	17.0	16.1	14.5	13.2
		kW	1.1	1.2	1.3	1.3	1.4	1.4	1.5	1.5	1.6	1.7	1.7	1.8	1.9	2.2	2.1	2.1
	75	TC	15.1	15.1	15.1	15.1	15.0	15.0	15.0	14.9	14.9	14.9	14.5	14.5	15.2	14.6	13.3	11.9
		kW	1.1	1.1	1.2	1.2	1.3	1.4	1.4	1.4	1.5	1.6	1.6	1.5	1.8	1.9	2.0	2.0
	80	TC	12.0	12.0	11.9	11.9	11.9	11.9	11.9	11.9	11.9	11.9	11.5	11.5	12.1	11.5	10.7	10.6
		kW	1.0	1.0	1.1	1.1	1.1	1.2	1.2	1.3	1.3	1.4	1.2	1.2	1.6	1.7	1.8	1.9
750	60	TC	27.2	27.2	27.2	27.1	26.5	24.8	23.4	22.5	21.6	20.9	20.2	19.0	20.7	19.0	16.3	15.7
		kW	1.8	1.9	1.9	2.0	2.0	2.1	2.0	2.0	2.0	2.0	1.8	1.8	2.0	2.0	2.0	2.0
	70	TC	21.6	21.6	21.6	21.4	21.4	21.3	21.1	20.9	20.7	20.1	19.4	18.3	19.2	17.5	14.9	13.7
		kW	1.4	1.5	1.6	1.6	1.7	1.8	1.8	1.9	2.0	2.0	1.9	1.9	2.0	2.0	2.0	1.9
	75	TC	18.1	18.1	18.0	18.0	17.9	17.9	17.6	17.6	17.6	17.5	17.1	17.1	17.7	15.8	13.6	12.1
		kW	1.4	1.4	1.4	1.5	1.6	1.7	1.7	1.8	1.9	2.0	1.8	1.9	2.2	2.1	2.1	2.0
	80	TC	14.4	14.3	14.3	14.2	14.2	14.2	14.2	14.2	14.1	14.1	13.6	13.6	14.4	13.8	11.6	11.0
		kW	1.2	1.3	1.3	1.3	1.4	1.4	1.4	1.6	1.7	1.7	1.6	1.7	1.9	2.0	2.0	2.0

Table 7

TC refers to total capacity in kBTU/hr

kW: refer to total input power

BOVA15-24 + BWA16-24 For Heating																		
Airflow (CFM)	ID(°F)	OD(°F)	86	72	67	62	57	52	47	42	37	32	27	22	17	12	7	5
700	60	TC	26.3	26.1	25.8	25.5	25.3	25.3	25.4	25.8	25.8	24.6	24.4	22.9	22.2	21.6	19.8	18.8
		kW	2.1	2.2	2.2	2.3	2.5	2.5	2.7	2.7	2.8	2.8	2.8	2.7	2.7	2.8	2.8	2.7
	70	TC	19.3	19.3	19.3	19.2	19.2	19.1	19.0	18.9	18.8	18.8	18.5	18.4	17.7	16.4	14.5	13.9
		kW	1.6	1.7	1.7	1.9	1.9	2.0	2.0	2.0	2.1	2.3	2.2	2.4	2.6	2.9	3.0	2.9
	75	TC	16.2	16.2	16.2	16.1	16.1	16.1	16.0	16.0	15.9	15.9	15.4	15.3	15.3	14.4	13.2	13.0
		kW	1.5	1.5	1.6	1.7	1.7	1.8	1.9	2.0	2.0	2.2	2.1	2.2	2.4	2.5	2.7	2.8
	80	TC	12.8	12.8	12.7	12.7	12.7	12.7	12.7	12.6	12.6	12.6	12.1	12.1	12.0	11.3	10.3	10.0
		kW	1.4	1.4	1.5	1.5	1.5	1.7	1.7	1.8	1.9	2.1	2.0	2.1	2.3	2.4	2.6	2.6
800	60	TC	30.7	30.7	30.2	30.2	30.2	30.1	30.4	28.9	27.5	26.3	25.7	24.0	23.3	22.1	20.6	19.6
		kW	2.2	2.5	2.5	2.6	2.7	2.7	2.8	2.8	2.9	2.8	2.7	2.7	2.9	2.7	2.7	2.7
	70	TC	23.9	23.9	23.9	23.8	23.8	23.7	23.7	23.5	23.5	23.3	22.8	22.0	20.7	19.6	17.7	16.1
		kW	1.6	1.8	1.8	1.9	2.0	2.1	2.20	2.2	2.4	2.5	2.6	2.7	2.5	2.9	2.9	2.8
	75	TC	19.7	19.7	19.6	19.6	19.5	19.5	19.5	19.4	19.4	19.4	18.9	18.9	18.5	17.9	16.3	14.6
		kW	1.6	1.7	1.7	1.8	1.9	2.0	2.1	2.2	2.3	2.3	2.2	2.4	2.6	2.7	2.7	
	80	TC	15.6	15.6	15.5	15.5	15.5	15.5	15.4	15.4	15.4	15.4	14.9	14.9	14.7	14.1	13.1	12.9
		kW	1.5	1.5	1.6	1.6	1.6	1.7	1.8	2.0	2.0	2.1	1.7	1.8	2.2	2.3	2.4	2.5
900	60	TC	35.4	35.4	35.3	35.2	34.4	32.2	30.4	29.2	28.1	27.2	26.2	24.7	25.2	23.2	20.7	19.6
		kW	2.5	2.7	2.8	2.9	2.9	3.0	2.9	2.9	2.9	2.8	2.9	2.5	2.6	2.8	2.7	2.7
	70	TC	28.1	28.1	28.1	27.8	27.8	27.7	27.5	27.2	26.9	26.1	25.2	23.7	23.4	22.0	19.6	18.5
		kW	2.0	2.1	2.2	2.4	2.5	2.5	2.6	2.7	2.9	2.8	2.7	2.6	2.6	2.7	2.7	2.6
	75	TC	23.5	23.5	23.4	23.4	23.2	23.2	22.9	22.8	22.8	22.7	22.2	22.2	21.6	19.2	16.8	15.0
		kW	1.9	2.0	2.1	2.2	2.2	2.4	2.4	2.5	2.7	2.8	2.6	2.7	2.9	2.8	2.8	2.7
	80	TC	18.7	18.6	18.6	18.5	18.4	18.4	18.4	18.4	18.3	18.3	17.7	17.7	17.6	16.9	15.6	14.9
		kW	1.8	1.8	1.8	1.9	2.0	2.0	2.0	2.3	2.4	2.5	2.3	2.4	2.6	2.7	2.7	2.7

Table 8

TC refers to total capacity in kBTU/hr

kW: refer to total input power

BOVA15-36 + BWA16-30 For Cooling																		
Indoor Airflow (CFM)	Outdoor DB(°F)	IWB (°F) IDB (°F)	59				63				67				71			
			70	75	80	85	70	75	80	85	70	75	80	85	70	75	80	85
850	65	TC	24.3	24.6	25.1	25.4	25.3	25.6	25.8	26.1	27.0	27.2	27.5	27.7	/	30.5	30.8	31.0
		S/T	0.89	0.93	0.96	0.98	0.62	0.85	0.93	0.98	0.39	0.56	0.75	0.95	/	0.39	0.53	0.69
		kW	1.38	1.40	1.40	1.40	1.40	1.42	1.43	1.44	1.44	1.44	1.44	1.45	1.47	/	1.74	1.75
	75	TC	24.2	24.6	25.1	25.3	25.2	25.4	25.8	26.0	26.9	27.1	27.5	27.5	/	30.2	30.4	30.7
		S/T	0.89	0.93	0.96	0.98	0.62	0.85	0.93	0.98	0.39	0.56	0.75	0.95	/	0.39	0.53	0.69
		kW	1.66	1.67	1.68	1.70	1.68	1.71	1.71	1.72	1.72	1.74	1.75	1.76	/	1.85	1.86	1.87
	85	TC	24.0	24.2	24.7	25.1	24.9	25.2	25.5	25.8	26.8	27.0	27.3	27.4	/	30.1	30.3	30.5
		S/T	0.89	0.93	0.96	0.98	0.62	0.85	0.93	0.98	0.39	0.56	0.75	0.95	/	0.39	0.53	0.69
		kW	1.74	1.76	1.77	1.77	1.77	1.79	1.80	1.81	1.81	1.83	1.84	1.85	/	2.04	2.07	2.08
	95	TC	23.5	23.8	24.3	24.7	24.5	24.8	25.1	25.3	26.4	26.6	26.9	27.0	/	29.8	30.1	30.3
		S/T	0.89	0.93	0.96	0.98	0.62	0.85	0.93	0.98	0.39	0.56	0.75	0.95	/	0.39	0.53	0.69
		kW	1.95	1.97	1.99	1.99	1.99	1.99	2.02	2.03	2.05	2.06	2.07	2.10	/	2.40	2.41	2.42
	105	TC	22.2	22.6	23.1	23.4	23.0	23.2	23.5	23.9	24.5	24.8	25.2	25.5	/	28.5	28.6	28.7
		S/T	0.90	0.94	0.97	0.98	0.63	0.86	0.94	0.98	0.40	0.57	0.76	0.96	/	0.40	0.54	0.70
		kW	2.33	2.35	2.36	2.38	2.49	2.50	2.51	2.53	2.65	2.66	2.67	2.67	/	2.82	2.82	2.83
	115	TC	18.3	18.6	18.9	19.1	20.3	20.7	20.9	21.1	21.8	22.1	22.3	22.5	/	22.8	23.0	23.1
		S/T	0.91	0.95	0.98	0.98	0.64	0.87	0.95	0.98	0.41	0.58	0.77	0.97	/	0.41	0.55	0.71
		kW	2.11	2.12	2.13	2.15	2.26	2.27	2.28	2.30	2.42	2.43	2.44	2.45	/	2.52	2.53	2.54
1000	65	TC	26.0	26.4	27.1	27.3	26.9	27.3	27.6	27.9	28.7	28.9	28.9	29.1	/	34.0	34.3	34.6
		S/T	0.90	0.95	0.98	0.99	0.64	0.87	0.95	0.99	0.39	0.58	0.77	0.97	/	0.39	0.55	0.71
		kW	1.56	1.58	1.59	1.60	1.59	1.61	1.62	1.64	1.67	1.69	1.70	1.72	/	1.96	1.97	1.99
	75	TC	26.0	26.4	26.9	27.2	26.9	27.3	27.6	27.9	28.7	28.9	28.9	29.1	/	34.0	34.3	34.6
		S/T	0.91	0.95	0.98	0.99	0.64	0.87	0.95	0.99	0.39	0.58	0.77	0.97	/	0.39	0.55	0.71
		kW	1.74	1.76	1.77	1.78	1.77	1.79	1.80	1.82	1.82	1.82	1.85	1.86	/	2.06	2.07	2.09
	85	TC	25.6	25.9	26.6	26.8	26.6	26.8	27.1	27.4	28.4	28.5	28.8	29.0	/	33.1	33.4	33.6
		S/T	0.91	0.95	0.98	0.99	0.64	0.87	0.95	0.99	0.39	0.58	0.77	0.97	/	0.39	0.55	0.71
		kW	1.82	1.84	1.86	1.87	1.86	1.88	1.89	1.92	2.00	2.01	2.02	2.03	/	2.32	2.32	2.34
	95	TC	25.2	25.6	26.3	26.6	26.5	26.7	27.0	27.3	28.1	28.4	28.8	28.9	/	32.3	32.6	32.8
		S/T	0.91	0.95	0.98	0.99	0.64	0.87	0.95	0.99	0.39	0.58	0.77	0.97	/	0.39	0.55	0.71
		kW	2.13	2.15	2.17	2.17	2.17	2.19	2.20	2.22	2.32	2.33	2.35	2.35	/	2.69	2.69	2.69
	105	TC	23.6	23.9	24.3	24.5	25.2	25.5	25.7	26.1	26.9	27.3	27.4	27.7	/	29.9	30.1	30.3
		S/T	0.92	0.96	0.99	0.99	0.64	0.88	0.95	0.99	0.40	0.60	0.78	0.98	/	0.40	0.56	0.72
		kW	2.47	2.49	2.50	2.51	2.56	2.58	2.61	2.64	2.72	2.73	2.75	2.77	/	2.93	2.94	2.95
	115	TC	18.8	19.1	19.4	19.6	20.7	21.0	21.2	21.5	22.2	22.6	22.8	23.1	/	23.6	23.8	23.9
		S/T	0.92	0.97	0.99	0.99	0.65	0.90	0.97	0.99	0.41	0.64	0.80	0.99	/	0.41	0.57	0.76
		kW	2.21	2.22	2.24	2.25	2.35	2.35	2.37	2.37	2.53	2.54	2.55	2.56	/	2.64	2.64	2.65
1120	65	TC	27.5	27.9	28.6	29.0	28.5	28.9	29.2	29.6	30.3	30.8	31.1	31.4	/	36.6	36.8	37.1
		S/T	0.92	0.97	0.99	0.99	0.66	0.89	0.97	0.99	0.41	0.60	0.79	0.99	/	0.41	0.57	0.73
		kW	1.8	1.8	1.8	1.8	1.8	1.9	1.9	1.9	1.9	1.9	1.9	1.9	/	2.2	2.2	2.3
	75	TC	27.4	27.8	28.5	28.7	28.5	28.7	29.1	29.4	30.2	30.7	30.9	31.2	/	36.2	36.4	36.5
		S/T	0.92	0.97	0.99	0.99	0.66	0.89	0.97	0.99	0.41	0.60	0.79	0.99	/	0.41	0.57	0.73
		kW	1.9	1.9	1.9	1.9	1.9	1.9	1.9	1.9	1.9	2.0	2.0	2.0	/	2.4	2.4	2.4
	85	TC	27.0	27.4	28.1	28.5	27.9	28.4	28.6	29.1	29.8	30.2	30.5	30.8	/	35.3	35.6	36.0
		S/T	0.92	0.97	0.99	0.99	0.66	0.89	0.97	0.99	0.41	0.60	0.79	0.99	/	0.4	0.6	0.7
		kW	2.1	2.1	2.1	2.1	2.1	2.1	2.1	2.2	2.2	2.2	2.2	2.2	/	2.6	2.6	2.6
	95	TC	26.3	26.7	27.3	27.7	27.2	27.6	27.9	28.3	29.1	29.5	29.6	30.1	/	33.5	33.8	34.0
		S/T	0.92	0.97	0.99	0.99	0.66	0.89	0.97	0.99	0.41	0.60	0.79	0.99	/	0.41	0.57	0.73
		kW	2.4	2.4	2.4	2.4	2.4	2.4	2.5	2.5	2.5	2.5	2.5	2.5	/	2.9	2.9	2.9
	105	TC	23.8	24.4	24.7	25.0	26.2	26.6	26.8	27.0	27.7	28.0	28.2	28.5	/	30.1	30.5	30.7
		S/T	0.92	0.97	0.99	0.99	0.66	0.90	0.97	0.99	0.41	0.61	0.80	0.99	/	0.4	0.6	0.8
		kW	2.6	2.6	2.6	2.6	2.7	2.8	2.8	2.8	2.9	2.9	2.9	2.9	/	3.2	3.2	3.3
	115	TC	19.1	19.5	19.9	20.1	21.4	21.7	22.0	22.2	22.8	23.2	23.3	23.6	/	24.1	24.2	24.3
		S/T	0.94	0.99	0.99	0.99	0.68	0.92	0.99	0.99	0.43	0.66	0.89	0.99	/	0.43	0.65	0.84
		kW	2.3	2.3	2.3	2.3	2.4	2.4	2.5	2.5	2.6	2.6	2.6	2.6	/	2.7	2.7	2.7

Table 9

TC refers to total capacity in kBTU/hr S/T: refer to the ratio of sensible heat and total capacity
kW: refer to total input power

BOVA15-36 + BWA16-36 For Cooling																		
Indoor Airflow (CFM)	Outdoor DB(°F)	IWB (°F) IDB (°F)	59				63				67				71			
			70	75	80	85	70	75	80	85	70	75	80	85	70	75	80	85
950	65	TC	28.6	28.9	29.5	29.9	29.8	30.1	30.4	30.7	31.8	32.0	32.4	32.6	/	35.9	36.2	36.5
		S/T	0.89	0.93	0.96	0.98	0.62	0.85	0.93	0.98	0.39	0.56	0.75	0.95	/	0.39	0.53	0.69
		kW	1.92	1.94	1.95	1.95	1.95	1.97	1.98	2.00	2.00	2.00	2.02	2.04	/	2.41	2.43	2.46
	75	TC	28.5	28.9	29.5	29.8	29.6	29.9	30.3	30.6	31.7	31.9	32.3	32.4	/	35.5	35.8	36.1
		S/T	0.89	0.93	0.96	0.98	0.62	0.85	0.93	0.98	0.39	0.56	0.75	0.95	/	0.39	0.53	0.69
		kW	2.30	2.32	2.34	2.36	2.34	2.37	2.38	2.39	2.39	2.41	2.43	2.45	/	2.57	2.58	2.60
	85	TC	28.2	28.5	29.1	29.5	29.3	29.7	30.0	30.3	31.5	31.8	32.1	32.2	/	35.4	35.7	35.9
		S/T	0.89	0.93	0.96	0.98	0.62	0.85	0.93	0.98	0.39	0.56	0.75	0.95	/	0.39	0.53	0.69
		kW	2.42	2.44	2.46	2.46	2.46	2.48	2.50	2.52	2.52	2.54	2.56	2.57	/	2.83	2.87	2.89
	95	TC	27.7	28.0	28.6	29.0	28.8	29.2	29.5	29.8	31.0	31.3	31.6	31.8	/	35.1	35.4	35.6
		S/T	0.89	0.93	0.96	0.98	0.62	0.85	0.93	0.98	0.39	0.56	0.75	0.95	/	0.39	0.53	0.69
		kW	2.71	2.73	2.76	2.76	2.76	2.77	2.80	2.82	2.85	2.86	2.88	2.91	/	3.34	3.35	3.36
	105	TC	26.1	26.6	27.2	27.5	27.0	27.3	27.7	28.1	28.8	29.2	29.6	30.0	/	33.5	33.6	33.8
		S/T	0.90	0.94	0.97	0.98	0.63	0.86	0.94	0.98	0.40	0.57	0.76	0.96	/	0.40	0.54	0.70
		kW	3.24	3.26	3.28	3.30	3.46	3.47	3.49	3.51	3.68	3.70	3.71	3.71	/	3.91	3.92	3.93
	115	TC	21.5	21.9	22.2	22.5	23.9	24.3	24.6	24.8	25.6	26.0	26.2	26.5	/	26.8	27.0	27.2
		S/T	0.91	0.95	0.98	0.98	0.64	0.87	0.95	0.98	0.41	0.58	0.77	0.97	/	0.41	0.55	0.71
		kW	2.93	2.95	2.96	2.98	3.14	3.15	3.17	3.19	3.36	3.38	3.39	3.40	/	3.50	3.52	3.53
1120	65	TC	30.6	31.1	31.9	32.2	31.7	32.1	32.5	32.9	34.0	34.0	34.3	34.6	/	40.4	40.7	41.0
		S/T	0.90	0.95	0.98	0.99	0.64	0.87	0.95	0.99	0.39	0.58	0.77	0.97	/	0.39	0.55	0.71
		kW	2.16	2.18	2.20	2.21	2.20	2.22	2.24	2.26	2.30	2.33	2.35	2.38	/	2.71	2.72	2.75
	75	TC	30.6	31.1	31.7	32.0	31.7	32.1	32.5	32.9	33.8	34.0	34.0	34.3	/	40.1	40.4	40.7
		S/T	0.91	0.95	0.98	0.99	0.64	0.87	0.95	0.99	0.39	0.58	0.77	0.97	/	0.39	0.55	0.71
		kW	2.41	2.43	2.45	2.46	2.45	2.47	2.49	2.51	2.52	2.52	2.55	2.57	/	2.84	2.86	2.88
	85	TC	30.1	30.5	31.3	31.6	31.3	31.6	31.9	32.3	33.5	33.6	33.9	34.2	/	39.0	39.3	39.6
		S/T	0.91	0.95	0.98	0.99	0.64	0.87	0.95	0.99	0.39	0.58	0.77	0.97	/	0.39	0.55	0.71
		kW	2.52	2.54	2.57	2.58	2.57	2.60	2.61	2.65	2.76	2.77	2.79	2.81	/	3.21	3.21	3.23
	95	TC	29.7	30.2	31.0	31.3	31.2	31.5	31.8	32.2	33.1	33.4	34.0	34.1	/	38.0	38.4	38.6
		S/T	0.91	0.95	0.98	0.99	0.64	0.87	0.95	0.99	0.39	0.58	0.77	0.97	/	0.39	0.55	0.71
		kW	2.94	2.97	3.00	3.00	3.00	3.02	3.04	3.07	3.20	3.22	3.24	3.25	/	3.71	3.72	3.72
	105	TC	27.8	28.2	28.6	28.8	29.7	30.0	30.3	30.7	31.7	32.1	32.3	32.6	/	35.2	35.5	35.7
		S/T	0.92	0.96	0.99	0.99	0.64	0.88	0.95	0.99	0.40	0.60	0.78	0.98	/	0.40	0.56	0.72
		kW	3.41	3.44	3.45	3.47	3.53	3.57	3.60	3.64	3.75	3.77	3.80	3.82	/	4.05	4.06	4.07
	115	TC	22.1	22.5	22.8	23.1	24.4	24.7	25.0	25.3	26.2	26.6	26.9	27.2	/	27.8	28.0	28.1
		S/T	0.92	0.97	0.99	0.99	0.65	0.90	0.97	0.99	0.41	0.64	0.80	0.99	/	0.41	0.57	0.76
		kW	3.05	3.07	3.09	3.11	3.24	3.25	3.27	3.28	3.49	3.51	3.52	3.53	/	3.64	3.65	3.66
1300	65	TC	32.3	32.8	33.6	34.0	33.4	33.9	34.3	34.7	35.6	36.1	36.5	36.9	/	42.9	43.2	43.5
		S/T	0.92	0.97	0.99	0.99	0.66	0.89	0.97	0.99	0.41	0.60	0.79	0.99	/	0.41	0.57	0.73
		kW	2.52	2.54	2.56	2.57	2.56	2.59	2.61	2.63	2.64	2.66	2.68	2.71	/	3.11	3.13	3.16
	75	TC	32.2	32.6	33.4	33.7	33.4	33.7	34.1	34.5	35.5	36.0	36.3	36.6	/	42.5	42.7	42.8
		S/T	0.92	0.97	0.99	0.99	0.66	0.89	0.97	0.99	0.41	0.60	0.79	0.99	/	0.41	0.57	0.73
		kW	2.58	2.60	2.63	2.64	2.63	2.64	2.66	2.69	2.71	2.73	2.75	2.78	/	3.39	3.40	3.41
	85	TC	31.7	32.2	33.0	33.4	32.8	33.3	33.6	34.1	35.0	35.4	35.8	36.2	/	41.4	41.8	42.2
		S/T	0.92	0.97	0.99	0.99	0.66	0.89	0.97	0.99	0.41	0.60	0.79	0.99	/	0.41	0.57	0.73
		kW	2.87	2.89	2.92	2.93	2.92	2.95	2.98	3.01	3.03	3.05	3.06	3.08	/	3.60	3.62	3.65
	95	TC	30.9	31.3	32.1	32.5	31.9	32.4	32.8	33.2	34.2	34.6	34.8	35.3	/	39.3	39.7	39.9
		S/T	0.92	0.97	0.99	0.99	0.66	0.89	0.97	0.99	0.41	0.60	0.79	0.99	/	0.41	0.57	0.73
		kW	3.32	3.35	3.38	3.39	3.38	3.41	3.44	3.47	3.50	3.52	3.53	3.55	/	4.02	4.03	4.04
	105	TC	27.9	28.6	29.0	29.3	30.8	31.2	31.5	31.7	32.5	32.9	33.1	33.4	/	35.3	35.8	36.0
		S/T	0.92	0.97	0.99	0.99	0.66	0.90	0.97	0.99	0.41	0.61	0.80	0.99	/	0.41	0.59	0.76
		kW	3.60	3.62	3.64	3.66	3.83	3.84	3.86	3.88	4.06	4.08	4.09	4.10	/	4.49	4.52	4.54
	115	TC	22.4	22.9	23.3	23.6	25.1	25.5	25.8	26.0	26.8	27.2	27.4	27.7	/	28.3	28.4	28.5
		S/T	0.94	0.99	0.99	0.99	0.68	0.92	0.99	0.99	0.43	0.66	0.89	0.99	/	0.43	0.65	0.84
		kW	3.17	3.19	3.21	3.24	3.36	3.38	3.42	3.45	3.62	3.64	3.65	3.66	/	3.77	3.79	3.80

Table 10

TC refers to total capacity in kBTU/hr S/T: refer to the ratio of sensible heat and total capacity
 kW: refer to total input power

BOVA15-36 + BWA16-30 For Heating																			
Airflow (CFM)	ID(°F)	OD(°F)	86	72	67	62	57	52	47	42	37	32	27	22	17	12	7	5	
850	60	TC	31.3	31.1	30.7	30.6	30.6	30.5	29.3	27.2	25.6	24.4	24.2	22.9	24.0	22.5	19.3	16.7	
		KW	1.7	1.8	2.0	2.1	2.2	2.4	2.4	2.3	2.3	2.2	2.2	2.1	2.2	2.2	2.2	2.7	2.6
	70	TC	24.6	24.6	24.6	24.5	24.4	24.2	24.1	23.9	23.9	23.5	23.4	21.7	21.6	21.5	18.7	17.3	
		KW	1.4	1.6	1.6	1.8	1.8	1.9	2.0	2.0	2.2	2.3	2.4	2.4	2.4	2.4	2.3	2.8	2.7
	75	TC	20.3	20.3	20.2	20.2	20.2	20.2	20.2	20.2	19.7	19.5	19.5	19.9	19.8	21.5	21.0	17.4	15.6
		KW	1.2	1.4	1.5	1.5	1.5	1.6	1.7	1.7	1.8	1.9	2.0	2.1	2.4	2.3	2.9	2.8	
	80	TC	16.9	16.9	16.8	16.8	16.8	16.7	16.7	16.6	16.6	16.6	17.3	17.3	19.0	19.0	17.1	15.4	
		KW	1.0	1.1	1.1	1.2	1.3	1.4	1.4	1.5	1.6	1.7	1.7	1.8	2.0	2.1	2.9	2.8	
1000	60	TC	34.9	34.7	34.5	34.3	33.4	31.5	29.8	27.8	26.1	25.1	25.1	23.5	24.1	22.5	20.0	17.8	
		KW	2.0	2.4	2.4	2.5	2.5	2.5	2.4	2.3	2.3	2.2	2.1	2.1	2.3	2.2	2.8	2.7	
	70	TC	27.5	27.5	27.3	27.2	27.2	27.2	27.3	26.8	25.6	24.1	23.9	22.3	22.0	21.9	19.4	17.7	
		KW	1.6	1.7	1.8	1.9	1.9	2.0	2.0	2.2	2.3	2.3	2.3	2.3	2.3	2.3	2.9	2.8	
	75	TC	22.8	22.8	22.7	22.6	22.7	22.6	22.4	22.2	22.0	22.0	22.4	21.6	21.3	20.8	18.1	16.0	
		KW	1.3	1.6	1.6	1.7	1.7	1.8	1.8	1.9	2.1	2.2	2.2	2.3	2.4	2.3	2.9	2.8	
	80	TC	19.0	19.0	19.0	19.0	19.0	19.0	18.9	18.8	18.6	18.6	19.3	19.3	20.5	20.5	18.2	15.7	
		KW	1.1	1.2	1.2	1.3	1.4	1.5	1.6	1.7	1.8	1.8	1.9	2.0	2.3	2.4	3.0	2.9	
1120	60	TC	37.8	37.8	37.1	34.9	33.7	32.1	30.3	28.6	26.5	25.5	24.7	24.0	24.7	22.9	20.3	18.2	
		KW	2.3	2.6	2.7	2.7	2.7	2.6	2.5	2.4	2.4	2.3	2.2	2.3	2.4	2.3	2.9	2.9	
	70	TC	30.1	30.1	30.0	29.8	29.8	29.7	29.4	27.5	26.0	24.6	24.6	23.2	23.9	22.7	20.0	17.9	
		KW	1.8	2.0	2.0	2.2	2.3	2.4	2.4	2.4	2.4	2.3	2.4	2.4	2.5	2.5	3.0	3.0	
	75	TC	25.6	25.5	25.4	25.4	25.2	25.1	25.1	25.1	24.8	23.5	23.6	22.3	22.4	21.0	18.4	16.4	
		KW	1.6	1.8	1.9	1.9	2.0	2.0	2.1	2.2	2.4	2.3	2.4	2.4	2.5	2.3	3.0	2.9	
	80	TC	21.3	21.2	21.1	21.1	21.1	21.1	21.1	20.9	20.6	20.4	20.7	20.5	21.7	20.7	18.3	16.1	
		KW	1.2	1.3	1.4	1.5	1.6	1.7	1.8	1.8	2.0	2.1	2.2	2.3	2.5	2.4	3.1	3.0	

Table 11

TC refers to total capacity in kBTU/hr

KW: refer to total input power

BOVA15-36 + BWA16-36 For Heating																		
Airflow (CFM)	ID(°F)	OD(°F)	86	72	67	62	57	52	47	42	37	32	27	22	17	12	7	5
950	60	TC	39.1	38.8	38.4	38.3	38.3	38.2	36.7	34.0	32.0	30.5	30.2	28.6	27.3	25.5	22.0	19.0
		KW	2.5	2.6	2.8	3.0	3.2	3.4	3.4	3.3	3.3	3.2	3.1	3.0	3.1	3.1	3.1	3.1
	70	TC	30.7	30.7	30.7	30.6	30.5	30.2	30.1	29.9	29.9	29.4	29.2	27.2	25.1	24.5	21.3	19.6
		KW	2.0	2.2	2.3	2.5	2.6	2.7	2.8	2.9	3.1	3.3	3.4	3.4	3.3	3.2	3.2	3.1
	75	TC	25.4	25.4	25.3	25.3	25.3	25.3	25.3	24.6	24.4	24.4	24.9	24.8	24.5	23.9	19.8	17.8
		KW	1.7	2.0	2.1	2.2	2.2	2.3	2.4	2.4	2.6	2.8	2.8	3.0	3.3	3.2	3.3	3.2
	80	TC	21.1	21.1	21.0	21.0	21.0	20.9	20.9	20.8	20.8	20.8	21.6	21.6	21.6	21.6	19.4	17.5
		KW	1.4	1.6	1.6	1.7	1.8	1.9	2.0	2.1	2.3	2.4	2.4	2.6	2.8	2.9	3.2	3.2
1120	60	TC	43.6	43.4	43.1	42.9	41.7	39.4	37.2	34.7	32.7	31.4	31.4	29.4	27.4	25.6	22.7	20.3
		KW	2.9	3.4	3.4	3.6	3.6	3.5	3.5	3.3	3.2	3.2	3.1	3.0	3.2	3.1	3.1	3.0
	70	TC	34.3	34.3	34.1	34.0	34.0	34.0	34.1	33.5	32.0	30.1	29.8	27.9	25.0	24.8	22.1	20.1
		KW	2.3	2.5	2.6	2.7	2.8	2.9	2.8	3.2	3.2	3.3	3.3	3.2	3.1	3.2	3.2	3.1
	75	TC	28.5	28.5	28.4	28.3	28.4	28.3	28.0	27.7	27.5	27.5	28.0	27.0	24.2	23.5	20.6	18.1
		KW	1.9	2.3	2.4	2.4	2.5	2.5	2.6	2.7	2.9	3.1	3.2	3.3	3.3	3.2	3.2	3.1
	80	TC	23.8	23.8	23.7	23.7	23.7	23.7	23.6	23.5	23.3	23.3	24.2	24.2	23.3	23.3	20.6	17.8
		KW	1.5	1.7	1.8	1.9	2.0	2.1	2.2	2.4	2.5	2.6	2.7	2.9	3.2	3.3	3.3	3.2
1300	60	TC	47.3	47.2	46.4	43.7	42.1	40.1	37.9	35.7	33.2	31.9	30.9	30.0	28.0	26.1	23.1	20.6
		KW	3.2	3.8	3.8	3.9	3.9	3.7	3.6	3.5	3.4	3.3	3.2	3.3	3.3	3.2	3.2	3.2
	70	TC	37.6	37.6	37.5	37.2	37.2	37.2	36.8	34.4	32.5	30.7	30.7	29.1	27.2	25.8	22.7	20.4
		KW	2.5	2.8	2.9	3.1	3.2	3.4	3.5	3.4	3.4	3.3	3.4	3.5	3.5	3.4	3.3	3.3
	75	TC	32.0	31.9	31.8	31.8	31.5	31.4	31.4	31.4	31.0	29.4	29.5	27.9	25.4	23.9	20.9	18.6
		KW	2.2	2.6	2.7	2.8	2.8	2.9	3.0	3.1	3.4	3.3	3.5	3.5	3.4	3.3	3.2	3.2
	80	TC	26.6	26.5	26.4	26.4	26.4	26.3	26.3	26.1	25.7	25.5	25.8	25.6	24.6	23.5	20.8	18.3
		KW	1.7	1.9	2.0	2.1	2.2	2.4	2.6	2.8	3.1	3.1	3.3	3.5	3.4	3.4	3.4	3.3

Table 12

TC refers to total capacity in kBTU/hr

KW: refer to total input power

6 Airflow Performance

Airflow performance data is based on cooling performance with a coil and no filter in place. Check the performance table for appropriate unit size selection. External static pressure should stay within the minimum and maximum limits shown in the table below in order to ensure proper operation of both cooling, heating, and electric heating operation.

MODEL SIZE	BLOWER SPEEDS	SCFM									
		EXTERNAL STATIC PRESSURE-Inches w.c. [kPa]									
		0[0]	0.1[.02]	0.18[.04]	0.2[.05]	0.3[.07]	0.4[.10]	0.5[.12]	0.6[.15]	0.7[.17]	0.8[.20]
18	Tap(5)	913	881	848	848	818	792	763	731	691	650
	Tap(4)	825	787	756	753	717	682	650	617	580	540
	Tap(3)	737	700	666	663	630	589	550	511	474	436
	Tap(2)-Factory	675	632	598	596	555	521	480	440	399	366
	Tap(1)	590	548	512	499	455	430	368	338	309	263
24	Tap(5)	913	881	848	848	818	792	763	731	691	650
	Tap(4)-Factory	825	787	756	753	717	682	650	617	580	540
	Tap(3)	737	700	666	663	630	589	550	511	474	436
	Tap(2)	675	632	598	596	555	521	480	440	399	366
	Tap(1)	590	548	512	499	455	430	368	338	309	263
30	Tap(5)	1362	1325	1280	1266	1238	1197	1159	1119	1080	1040
	Tap(4)	1282	1242	1195	1176	1151	1111	1071	1028	975	936
	Tap(3)	1267	1225	1178	1143	1120	1078	1036	993	942	897
	Tap(2)-Factory	1157	1111	1061	1052	1016	971	929	884	842	802
	Tap(1)	1077	1028	978	965	932	886	850	804	768	732
36	Tap(5)	1362	1325	1280	1266	1238	1197	1159	1119	1080	1040
	Tap(4)-Factory	1282	1242	1195	1176	1151	1111	1071	1028	975	936
	Tap(3)	1267	1225	1178	1143	1120	1078	1036	993	942	897
	Tap(2)	1157	1111	1061	1052	1016	971	929	884	842	802
	Tap(1)	1077	1028	978	965	932	886	850	804	768	732

Table 13 Air Performance

Bold outlined areas represent airflow outside of the required 300-450 cfm/ton range.

NOTES:

1. Airflow based upon dry coil at 230V with no electric heat, no filter. The rated airflow of systems with electric heater kits requires between 350 and 450 cubic feet of air per minute (CFM).
2. Airflow is equivalent for front or bottom return configurations.
3. The air distribution system has the greatest effect on airflow. Therefore, the contractor should use only industry-recognized procedures.
4. Duct design and construction should be carefully done. System performance can be lowered dramatically through poor design or workmanship.
5. Air supplier ducts should be located along the perimeter of the conditioned space and properly sized. Improper location or insufficient air flow may cause drafts or noise in the ductwork.
6. Installers should balance the air distribution system to ensure proper quiet airflow to all of the conditioned space. An air velocity meter or airflow hood can be used to balance and verify branch and system airflow (CFM).

7 Electric Heat Kit MCA/MOP Data

7.1 EHK Without Unit

Heat Kit Model	Air Handler Model	Electric Heat (kW)	Heat kit FLA (A)		MIN.Circuit Ampacity (A)		MAX.Fuse or Breaker (HACR) Ampacity		Fan speed				
			208 VAC	240 VAC	208 VAC	240 VAC	208 VAC	240 VAC	1	2	3	4	5
EHK-05W	18/24/30/36	5	18.1	20.8	23	26	25	30	●	●	●	●	●
EHK-08W		7.5	27.1	31.3	34	40	35	40	X	X	●	●	●
EHK-10W		10	36.1	41.7	46	53	50	60	X	X	●	●	●

Table 14 Suitable heat kits for AHU installation

[● means available, X means not available]

7.2 EHK With Unit

Heat Kit Model	Air Handler Model	Unit Motor FLA (A)	Electric Heat (kW)	Heat kit FLA (A)		MIN.Circuit Ampacity (A)		MAX.Fuse or Breaker (HACR) Ampacity	
				208 VAC	240 VAC	208 VAC	240 VAC	208 VAC	240 VAC
EHK-05W	18	1.9	5	18.1	20.8	25	29	25	30
EHK-08W			7.5	27.1	31.3	37	42	40	45
EHK-10W			10	36.1	41.7	48	55	50	60
EHK-05W	24	1.9	5	18.1	20.8	25	29	25	30
EHK-08W			7.5	27.1	31.3	37	42	40	45
EHK-10W			10	36.1	41.7	48	55	50	60
EHK-05W	30	2.7	5	18.1	20.8	26	30	30	30
EHK-08W			7.5	27.1	31.3	38	43	40	45
EHK-10W			10	36.1	41.7	49	56	50	60
EHK-05W	36	2.7	5	18.1	20.8	26	30	30	30
EHK-08W			7.5	27.1	31.3	38	43	40	45
EHK-10W			10	36.1	41.7	49	56	50	60

Table 15 Suitable heat kits for AHU installation

- Heat pump systems require a specified airflow. Each ton of cooling requires between 350 and 450 cubic feet of air per minute (CFM), or 400 CFM nominally
- All electric heat kits include breaker(s) for each heater element for short circuit protection
- EHK-05W contains 1 heater element and EHK-08W, EHK-10W contain 2 heater elements.
- Blower motor load is included in MCA and MAX Fuse/Breaker size

7.3 Heater Kit Accessories

Model	Description	18	24	30	36
EHK-05W	5 kW Heat Kit, Double Pole Breaker	●	●	●	●
EHK-08W	7.5 kW Heat Kit, Double Pole Breaker	●	●	●	●
EHK-10W	10 kW Heat Kit, Double Pole Breaker	●	●	●	●

Table 16

[● means available, X means not available]

NOTES:

**United States and Canada
Bosch Thermotechnology Corp.
65 Grove St.
Watertown, MA 02472**

**Tel: 866-642-3198
Fax: 954-776-5529
www.bosch-homecomfort.us**

BTC 761701323 A / 05.2023

**Bosch Thermotechnology Corp. reserves the right
to make changes without notice due to continuing
engineering and technological advances.**