

Climate 5000 Series 12K BTU Single Zone Regular System Wall Mounted IDU

Engineering
Submittal
Sheet



BOSCH

Overview and Project Information



Project Name	
Location	
Architect	
Engineer	
General Contractor	
Reference #	

12K Btu Single Zone Regular System - Wall Mounted IDU

Indoor model #	8733953095
Indoor model name	BMS500-AAU012-1AHWXB
Outdoor model #	8733942698
Outdoor model name	BMS500-AAS012-1CSXRA

Performance Data

Mode	Parameter	Value
Cooling	Capacity (Btu/h):	12000
	Input (W)	875
	Rated current (A)	4.0
	EER (Btu/w)	13.7
	SEER (Btu/w)	22.7
Heating at 47°F	Capacity (Btu/h)	12000
	Input (W)	995
	Rated current (A)	4.5
	COP (W/W)	3.53
	HSPF4	11.0
	HSPF5	9.0

Electrical Data

Power supply (V / Ø / Hz)	208-230 / 1 / 60
Min. Circuit ampacity (A)	12.0
Max. Fuse (A)	15.0

Compressor Data

Type:	Rotary
Refrigerant oil /oil charge (ml)	ESTER OIL VG74 / 370
Input (W)	800
Rated current (RLA / A)	6.80

Piping

Refrigerant Charge (oz/g)	40.6 / 1151
Liquid side (in/mm)	1/4" / Ø6.35
Gas side (in/mm)	1/2" / Ø12.7
Additional charge per ft (oz)	0.16
Refrigerant precharge (ft/m)	25 / 7.6
Max. refrigerant pipe length (ft/m)	82 / 25
Max. difference in height (ft/m)	33 / 10

Operation Range

Unit	Mode	Temperature Range (°F / °C)
ODU	Cooling (°F / °C)	-13~122 / -25~50
	Heating (°F / °C)	-13~86 / -25~30
IDU	Cooling (°F / °C)	62~90 / 17~32
	Heating (°F / °C)	32~86 / 0~30

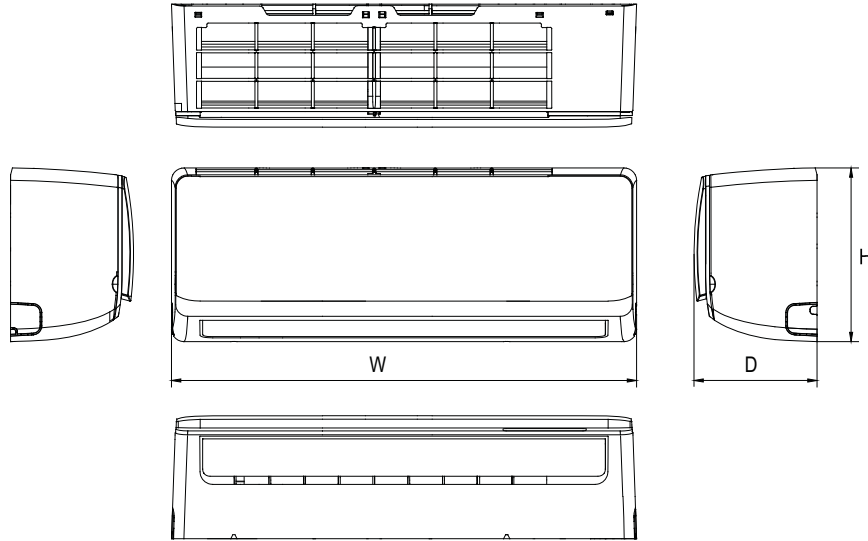
System Data

Refrigerant Type	R410A	
Design pressure (PSIG)	550/340	
Dehumidification (pts/hr)	2.54	
IDU	Fan motor qty (ea)	1
	Fan motor input (W)	50.0
	Fan motor RLA (A)	0.036
	Fan speed (RPM)	1170 / 900 / 700
	Air flow, H / M / L (CFM)	418 / 324 / 247
	Noise level, H / M / L (dB(A))	43 / 36 / 24
	Net weight (lbs / kg)	19.8 / 9.0
	Gross weight (lbs / kg)	25.4 / 11.5
ODU	Fan motor qty (ea)	1
	Fan motor input (W)	63
	Fan motor RLA (A)	0.40
	Fan motor speed (RPM)	800 / 700 / 650
	Air flow, Max (CFM)	1177
	Noise level, Max (dB(A))	55
	Net weight (lbs / kg)	76.7 / 34.8
	Gross weight (lbs / kg)	82.7 / 37.5
Accessories		
BMS-WT1-XXX (8733953127)	Wired Wall Thermostat	
BMS-DRY-XXX (8733953129)	24V Interface	
BMS-PK2-7X1 (8733951011)	25ft Lineset	
BMS-PK2-5X1 (8733951017)	16ft Lineset	

Climate 5000 Series
12K Btu Single Zone Regular System - Wall Mounted IDU

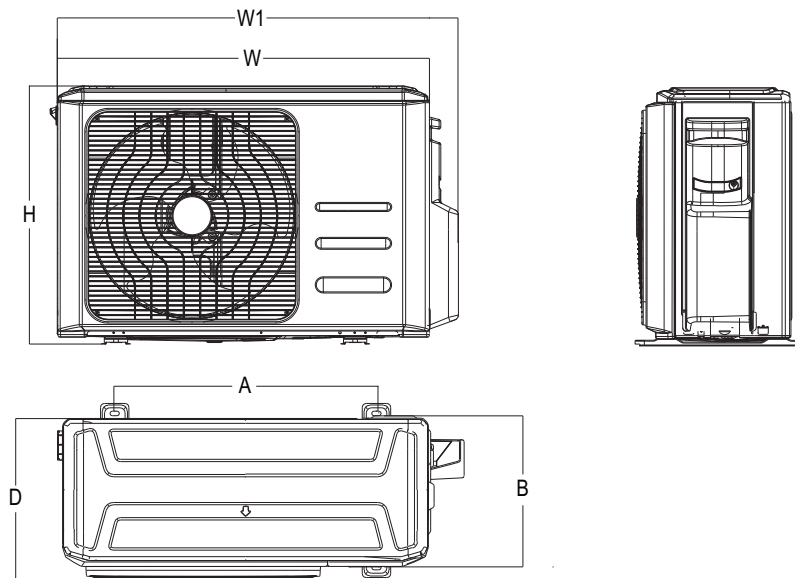


Indoor Unit Dimensions and Connections



Model	W (in)	D (in)	H (in)
BMS500-AAU012-1AHWXB	32.9	7.8	11.0

Outdoor Unit Dimensions and Connections



Model	W (in)	D (in)	H (in)	W1 (in)	A (in)	B (in)
BMS500-AAS012-1CSXRA	31.5	13.1	21.8	34.3	20.2	13.4