

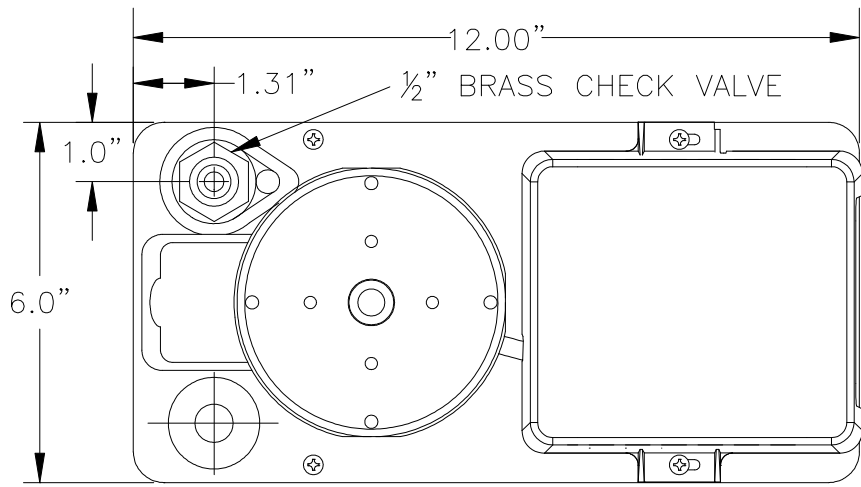


CB50 Condensate Pumps

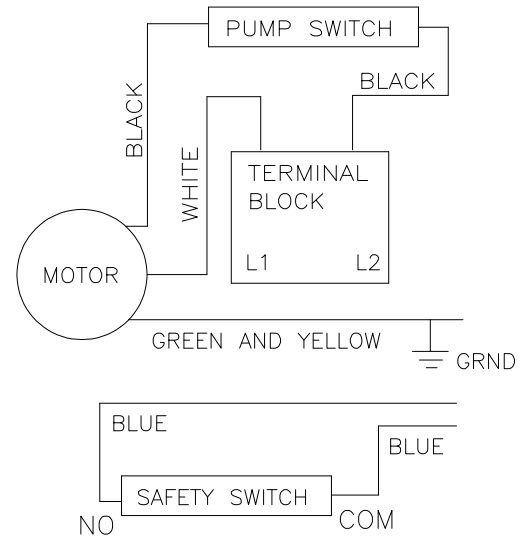
Heavy duty pump series capable of handling most Industrial applications. It features built-in safety switch, one gallon tank, replaceable check valve and pre-wired terminal block.



Model	Volts	Amps	Watts	HP	GPH				Shut off	Safety
					@ 1'	@ 10'	@ 20'	@ 40'		
CB501UL	115	4.0	300	1/4	476	396	306	126	50'	Y
CB502UL	230	1.9	350	1/5	486	412	337	168	50'	Y
CB504UL	460	0.8	350	1/5	420	355	310	145	50'	Y



Wiring Diagram



Hard wired terminal block for easy installation