

B3373 - Standard Riser Clamp

B3373F - Felt Lined Standard Riser Clamp for Copper Tubing

B3373C - PVC Coated Standard Riser Clamp

Size Range: (B3373) 1/2" (15mm) thru 30" (760mm) pipe
 (B3373F) 1/2" (15mm) thru 2 1/2" (65mm) copper tubing
 (B3373C) 1/2" (15mm) thru 6" (150mm) pipe

Material: Steel

Insulation Material: (B3373F) 1/8" (3.2mm) thick felt.

Function: Used for supporting vertical piping.

Approvals: Underwriters Laboratories Listed in the USA (UL), Canada (cUL)
 3/4" (20mm) - 8" (200mm).

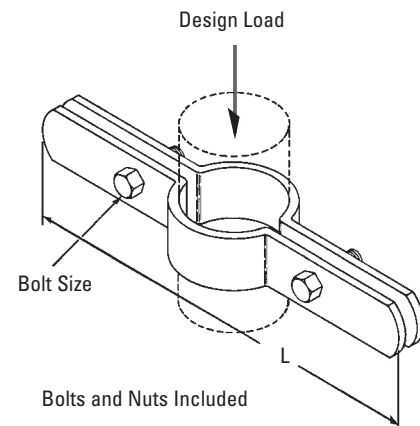
Factory Mutual Engineering Approved (FM) for plain and electro-Galvanized zinc,
 3/4" (20mm) thru 8" (200mm). Conforms to Federal Specification WW-H-171E &
 A-A-1192A, Type 8 and Manufacturers Standardization Society ANSI/MSS SP-69 &
 SP-58, Type 8.

Maximum Temperature: 650°F (343°C)

Finish: Plain. Contact customer service for alternative finishes and materials.

Order By:

(B3373 and B3373C) pipe size and finish.
 B3373F is available for Iron Pipe Size, consult factory.



B3373C



B3373F



B3373

Part No.	Pipe Size		L		Bolt Size	Design Load Lbs. (kN)	Approx. Wt./100	
	in.	(mm)	in.	(mm)			Lbs.	(kg)
B3373-1/2	1/2"	(15)	9"	(228.6)	3/8"-16 x 1 1/4"	255 (1.13)	101	(45.9)
B3373-3/4	3/4"	(20)	9 1/4"	(234.9)	3/8"-16 x 1 1/4"	255 (1.13)	105	(47.7)
B3373-1	1"	(25)	9 9/16"	(242.9)	3/8"-16 x 1 1/4"	255 (1.13)	109	(49.4)
B3373-1 1/4	1 1/4"	(32)	10"	(254.0)	3/8"-16 x 1 1/4"	255 (1.13)	112	(50.9)
B3373-1 1/2	1 1/2"	(40)	10 1/4"	(260.3)	3/8"-16 x 1 1/2"	255 (1.13)	113	(51.1)
B3373-2	2"	(50)	10 3/4"	(273.0)	3/8"-16 x 1 1/2"	255 (1.13)	165	(75.0)
B3373-2 1/2	2 1/2"	(65)	11 1/4"	(285.7)	3/8"-16 x 1 1/2"	390 (1.73)	180	(81.6)
B3373-3	3"	(80)	11 15/16"	(303.2)	3/8"-16 x 1 1/2"	530 (2.35)	195	(88.4)
B3373-3 1/2	3 1/2"	(90)	12 3/8"	(314.3)	1/2"-13 x 1 3/4"	670 (2.98)	217	(98.5)
B3373-4	4"	(100)	12 7/8"	(327.0)	1/2"-13 x 1 3/4"	810 (3.60)	228	(103.5)
B3373-5	5"	(125)	14"	(355.6)	1/2"-13 x 1 3/4"	1160 (5.16)	480	(217.7)
B3373-6	6"	(150)	15 3/16"	(385.8)	1/2"-13 x 2"	1570 (6.98)	526	(238.6)
B3373-8	8"	(200)	17 3/4"	(450.8)	5/8"-11 x 2 1/2"	2500 (11.12)	957	(434.1)
B3373-10	10"	(250)	19 7/16"	(493.7)	5/8"-11 x 2 1/2"	2500 (11.12)	1101	(499.4)
B3373-12	12"	(300)	21 11/16"	(550.9)	5/8"-11 x 3"	2700 (12.01)	1622	(735.7)
B3373-14	14"	(350)	23 9/16"	(598.5)	5/8"-11 x 3"	2700 (12.01)	1732	(785.6)
B3373-16	16"	(400)	26 3/8"	(669.9)	3/4"-10 x 3 1/4"	2900 (12.90)	2959	(1342.2)
B3373-18	18"	(450)	28 7/8"	(733.4)	3/4"-10 x 3 1/4"	2900 (12.90)	3235	(1467.4)
B3373-20	20"	(500)	30 7/8"	(784.2)	3/4"-10 x 3 1/2"	2900 (12.90)	3568	(1618.4)
B3373-24	24"	(600)	34 7/8"	(885.8)	3/4"-10 x 3 1/2"	2900 (12.90)	4064	(1843.3)
B3373-30	30"	(750)	40 3/4"	(1035.0)	7/8"-9 x 3 1/2"	2900 (12.90)	6016	(2728.8)

Notes: For ductile iron (D.I.) pipe use part number B3373DI-pipe size. Contact B-Line Engineering for more information.

Pipe Clamps

All dimensions in charts and on drawings are in inches. Dimensions shown in parentheses are in millimeters unless otherwise specified.