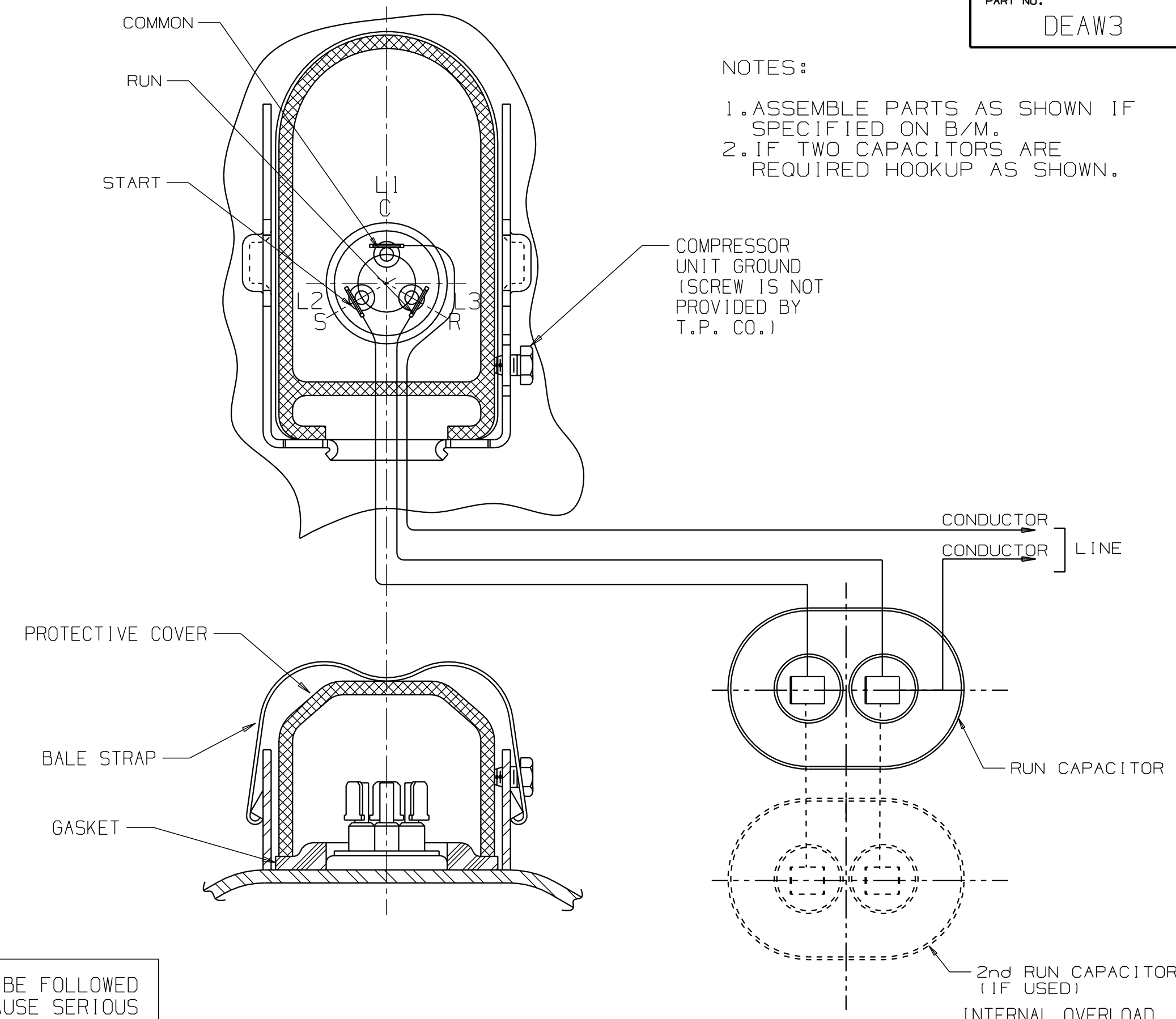
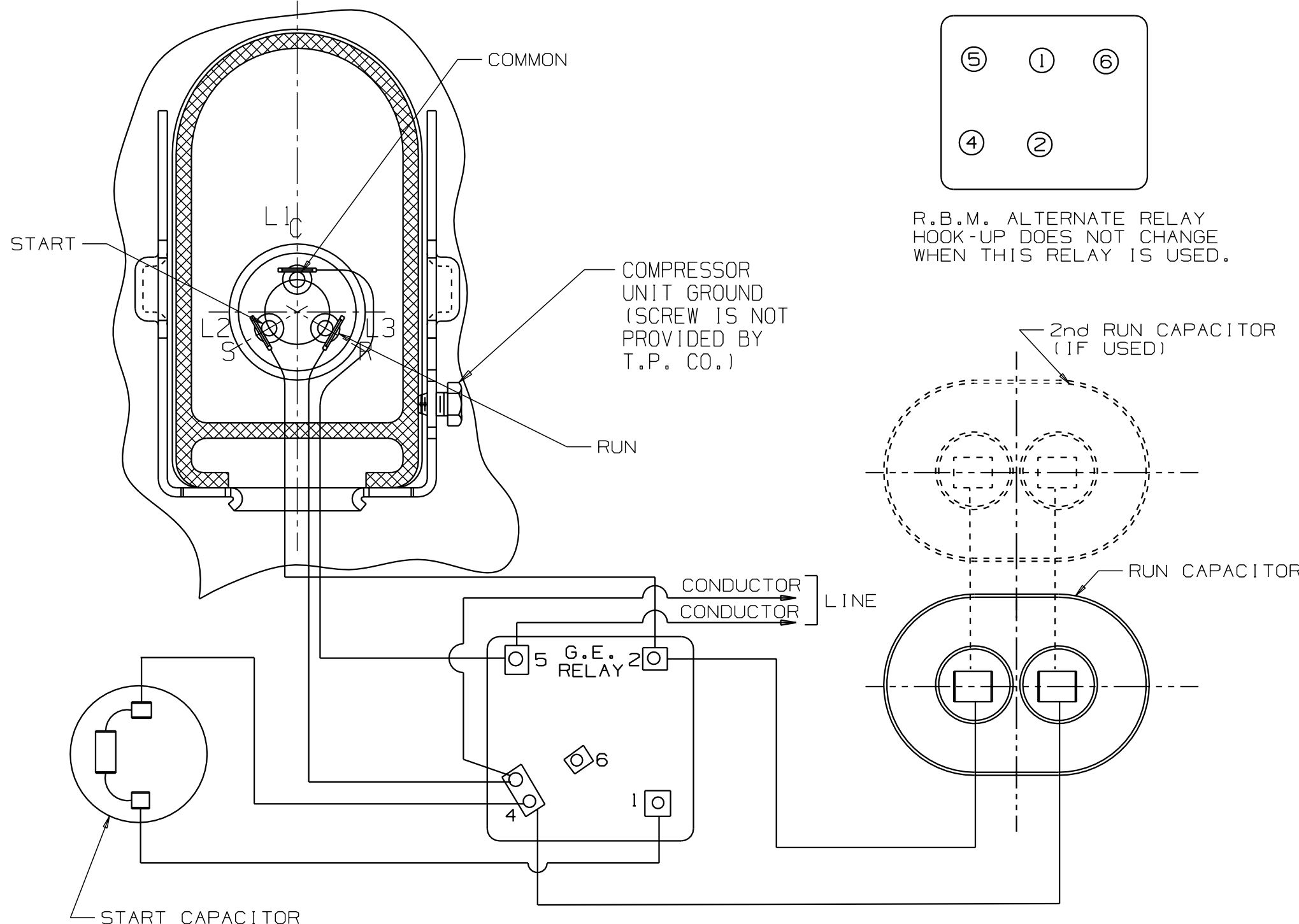
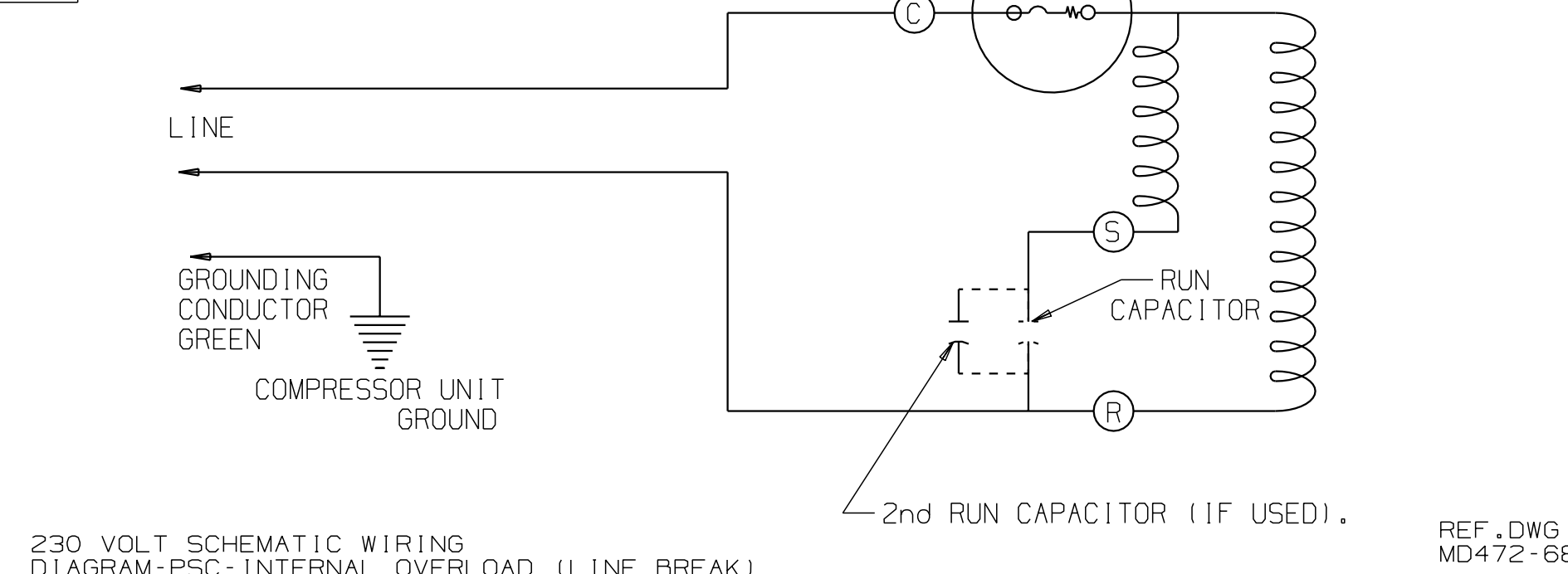
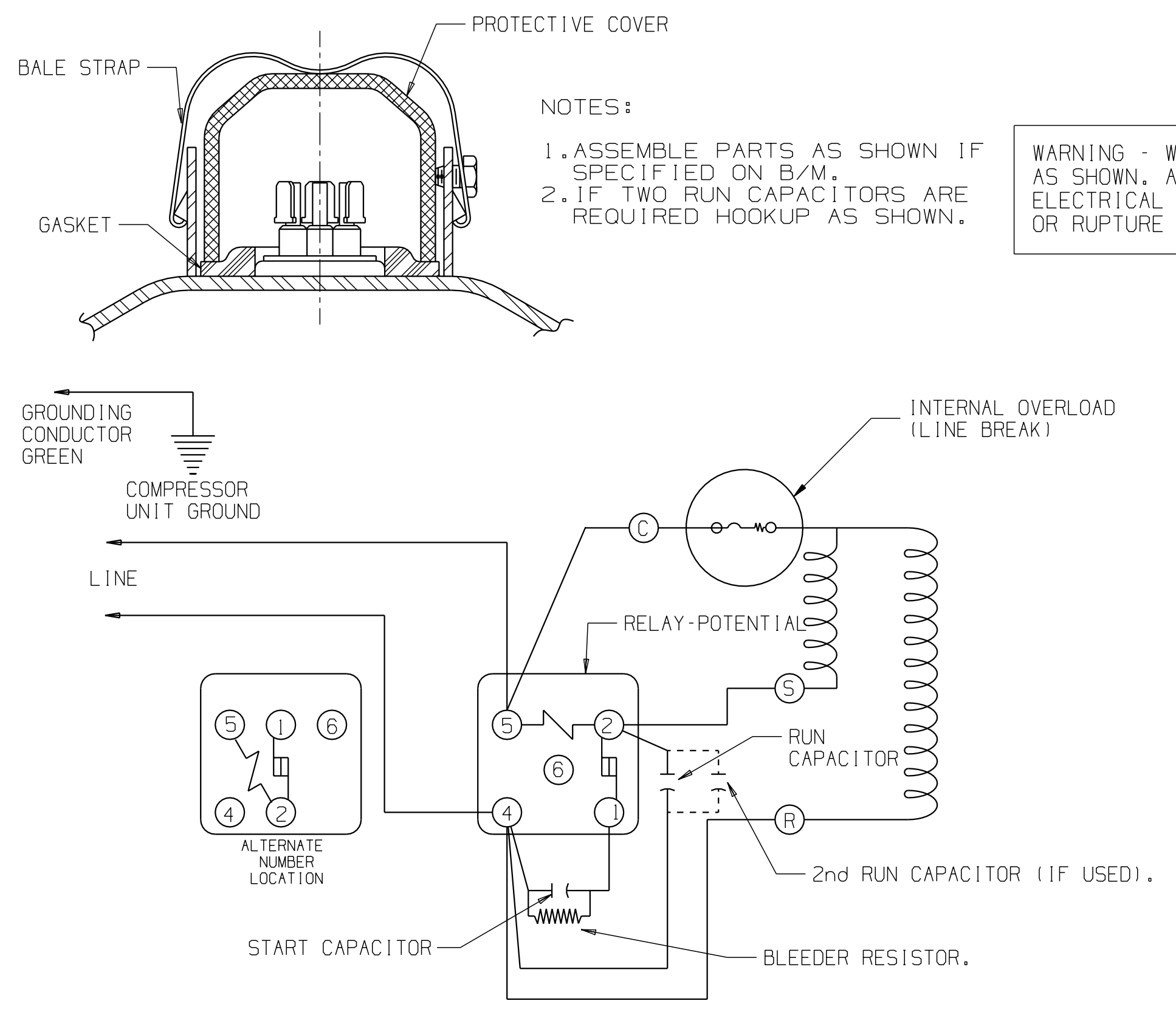


NOTES:
 1. ASSEMBLE PARTS AS SHOWN IF SPECIFIED ON B/M.
 2. IF TWO CAPACITORS ARE REQUIRED HOOKUP AS SHOWN.



NOTES:
 1. ASSEMBLE PARTS AS SHOWN IF SPECIFIED ON B/M.
 2. IF TWO RUN CAPACITORS ARE REQUIRED HOOKUP AS SHOWN.

WARNING - WIRING DIAGRAM MUST BE FOLLOWED AS SHOWN. ANY MISWIRING CAN CAUSE SERIOUS ELECTRICAL HAZARD AND POTENTIAL DAMAGE OR RUPTURE OF COMPONENT ELECTRICAL PARTS.



230 VOLT SCHEMATIC WIRING DIAGRAM-CSR OR CSR START CAPACITOR ASSIST -INTERNAL OVERLOAD (LINE BREAK)-REF.DWG.MD472-69

230 VOLT SCHEMATIC WIRING DIAGRAM-PSC-INTERNAL OVERLOAD (LINE BREAK)

AW - 230V - PSC-INTERNAL OVERLOAD (LINE BREAK).
 AW - 230V - CSR OR CSR START CAPACITOR ASSIST-INTERNAL OVERLOAD (LINE BREAK).

ENGLISH	
	Q.A. SYMBOLS
	☆ = CATEGORY I
	△ = CATEGORY II
	□ = CATEGORY III
	= CATEGORY IV

User: omit Part/Rev: aw-deaw3_b-c.prt Date: 24-Aug-05 Time: 13:45

#244025-000 REF. DWG MD472-69 WAS MD472-34		ROHIT MD472-69 WAS MD472-34	DATE	DIS. CODE 34SU		NAME ELECTRICAL HOOK-UP	
#235547 REDRAWN TO CAD		DWN. HINMAN 01/30/97	CK. MCAUGNEY 4-23-97	APR. BLANDEN	SCALE 1:1
THIS DRAWING OR PRINT IS THE PROPERTY OF TECUMSEH PRODUCTS COMPANY AND IS NOT TO BE REPRODUCED OR TRANSMITTED IN ANY FORM OR BY ANY MEANS, ELECTRONIC OR MECHANICAL, INCLUDING PHOTOCOPYING, RECORDING, OR BY ANY INFORMATION STORAGE AND RETRIEVAL SYSTEM. WITHOUT THE EXPRESS AND WRITTEN CONSENT AND APPROVAL OF TECUMSEH PRODUCTS COMPANY, ANY REPRODUCTION OR TRANSMISSION OF THIS DRAWING OR PRINT IS STRICTLY PROHIBITED. ANY REPRODUCTION OR TRANSMISSION OF THIS DRAWING OR PRINT WITHOUT THE EXPRESS AND WRITTEN CONSENT AND APPROVAL OF TECUMSEH PRODUCTS COMPANY SHALL BE CONSIDERED A VIOLATION OF THE PATENT RIGHTS OF TECUMSEH PRODUCTS COMPANY AND WILL BE PROSECUTED TO THE FULL EXTENT OF THE LAW. THIS DRAWING OR PRINT IS THE PROPERTY OF TECUMSEH PRODUCTS COMPANY AND IS NOT TO BE REPRODUCED OR TRANSMITTED IN ANY FORM OR BY ANY MEANS, ELECTRONIC OR MECHANICAL, INCLUDING PHOTOCOPYING, RECORDING, OR BY ANY INFORMATION STORAGE AND RETRIEVAL SYSTEM. WITHOUT THE EXPRESS AND WRITTEN CONSENT AND APPROVAL OF TECUMSEH PRODUCTS COMPANY, ANY REPRODUCTION OR TRANSMISSION OF THIS DRAWING OR PRINT IS STRICTLY PROHIBITED. ANY REPRODUCTION OR TRANSMISSION OF THIS DRAWING OR PRINT WITHOUT THE EXPRESS AND WRITTEN CONSENT AND APPROVAL OF TECUMSEH PRODUCTS COMPANY SHALL BE CONSIDERED A VIOLATION OF THE PATENT RIGHTS OF TECUMSEH PRODUCTS COMPANY AND WILL BE PROSECUTED TO THE FULL EXTENT OF THE LAW.				MATERIAL		DRAWING NO. DEAW3	
B 5A		A	LT LC	TECUMSEH PRODUCTS CO. TECUMSEH, MICHIGAN		THIS PRINT SUPERSEDES ALL PRINTS PRIOR TO	
REF. DWG MD472-69							