

Circular Cassette (36,000 BTU) Indoor Unit For Heat-recovery/Heat-pump Airstage VRF System

Job Name _____
 Location _____
 Engineer _____
 Submitted To _____
 Submitted By _____
 Reference _____

Date _____
 Approval _____
 Construction _____
 Unit No _____
 Drawing No _____

FEATURES

- Quiet 3 speed fan
- Built-in high-lift drain pump
- Optional IR Receiver
- Support for fresh-air intake kit
- Grille includes built-in modulating louvers
- Grille must be ordered separately (UTG-LCGVCW)
- Auxiliary heat operation capability
- 10 year Extended Warranty on parts and compressor. See Warranty Statement.



PIPING ACCESSORIES

UTP-AX090A	Separation Tube - 2-Pipe - 90 MBH or Less
UTP-AX180A	Separation Tube - 2-Pipe - 91 to 180 MBH
UTP-AX567A	Separation Tube - 2-Pipe - 180 MBH or More

CONTROLLER

UTY-RNRU22	Individual Touch Panel Controller (Wired Remote)
UTY-RSRY	Simple Remote (WITH Master Control) 2-Wire
UTY-RHRY	Simple Remote (WITHOUT Master Control) 2-Wire
UTY-DCGY	Central Remote Controller (100 units)
UTY-DTGYZ1	Touch Panel Controller with Internet (400 units)
UTY-APGX	System Controller (1600 units)
UTY-LBHxD	IR Receiver Kit

ACCESSORIES

UTR-YDZK	Air outlet Shutter plate
UTZ-KXRA	Insulation for high humidity
UTY-SHZXC	Human sensor kit
UTG-AKXA-W	Wide Panel
UTG-BKXA-W	Panel Spacer

WEIGHT AND DIMENSIONS

Enclosure - Net Weight - lbs [kg]	65 [29.5]
Enclosure - Gross Weight - lbs [kg]	75 [34]
Dimensions - Net (H x W x D) - in [mm]	11-5/16 x 33-1/16 x 33-1/16 [288 x 840 x 840]
Dimensions - Gross (H x W x D) - in [mm]	13-3/8 x 37-13/16 x 37-3/8 [340 x 960 x 950]
Grille Weight Net - lbs [kg]	13.0 [6.0]
Grille Weight Gross - lbs [kg]	0
Grille Dimensions Net (H x W x D) - in [mm]	2-1/16 x 37-3/8 x 37-3/8 [53 x 950 x 950]
Grille Dimensions Gross (H x W x D) - in [mm]	0

CAPACITY

Capacity - Cooling - Btu/h [kW]	36,000 [10.6]
Capacity - Heating - Btu/h [kW]	40,000 [11.7]

ELECTRICAL

Power Source	208 / 230V, 1-Phase, 60Hz
Available Voltage Range - VAC	187 to 253
Input Power - W	61
Full Load Amps - FLA - A	0.62
Max Circuit Breaker - A	15
Minimum Circuit Ampacity - MCA - A	0.78

FAN

Fan Type	Turbo
Airflow Rate - High Medium High - CFM [m³/h]	954 [1,620] 884 [1,500]
Airflow Rate - Medium Medium Low - CFM [m³/h]	825[1,400] 789 [1,340]
Airflow Rate - Low Quiet - CFM [m³/h]	754[1,280] 677 [1,150]

SOUND PRESSURE

Sound Pressure Level - dB(A)	41/40/38/37/35/33
------------------------------	-------------------

WIRING

Communication Cable	LonWorks (Fujitsu Pink Cable. See AE Bulletin 009)
---------------------	--

PIPING

Connection Pipe Diameter - Liquid (Brazing) - in [mm]	ø 3/8 [9.52]
Connection Pipe Diameter - Gas (Brazing) - in [mm]	ø 3/4 [19.05]
Connection Pipe Diameter - Drain (ID; OD) - in [mm]	ø 3/4 [19]
Drain-Pump	Built-in
Drain-Pump Lift - in [mm]	27 9/16 [700]

ETL

E.T.L.	3170288
--------	---------

TEMPERATURE RANGES

Operating Temp. Cooling (DB) - °F [°C]	64 to 88 [18 to 31]
Operating Temp. Heating (DB) - °F [°C]	50 to 88 [10 to 31]

Note: Specifications are based on the following conditions:
 Cooling: Indoor temperature of 80°F (26.7°C) DB/67°F (19.4°C) WB, and outdoor temperature of 95°F (35°C) DB/75°F (23.9°C) WB. Heating: Indoor temperature of 70°F (21.1°C) DB/60°F (15.6°C) WB, and outdoor temperature of 47°F (8.3°C) DB/43°F (6.1°C) WB. Pipe length: 25ft. (7.5m), Height difference: 0ft. (0m) (Outdoor unit - indoor unit).

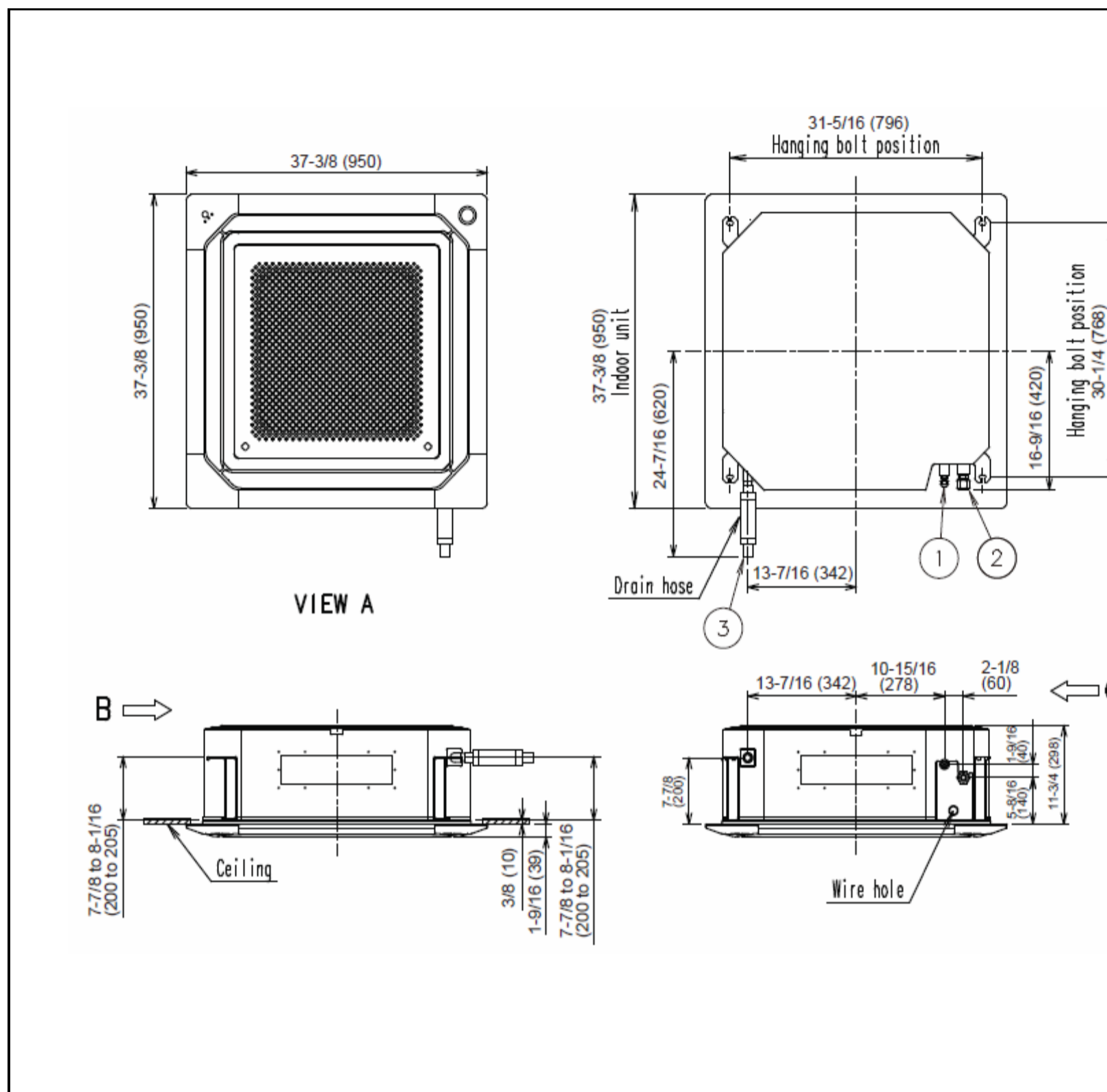


Fujitsu General America, Inc.
 353 Route 46 West
 Fairfield, NJ 07004
 Toll Free: (888) 888-3424
 Fax: (973) 836-0453
 www.airstagevrf.com

Circular Cassette (36,000 BTU) Indoor Unit
For Heat-recovery/Heat-pump Airstage VRF System

DIMENSIONS

Unit: In. (mm)



Fujitsu General America, Inc.
353 Route 46 West
Fairfield, NJ 07004
Toll Free: (888) 888-3424
Fax: (973) 836-0453
www.airstagevrf.com