

Compact Wall (12,000 BTU) Indoor Unit
For Heat-recovery/Heat-pump Airstage VRF System

Job Name _____
 Location _____
 Engineer _____
 Submitted To _____
 Submitted By _____
 Reference _____

Date _____
 Approval _____
 Construction _____
 Unit No _____
 Drawing No _____

FEATURES

- Powerful output in a compact design
- Built-in deodorizing and ionizing filters for better air quality
- Auto swing louvers
- Very low power usage
- 10 year Extended Warranty on parts and compressor. See Warranty Statement.
- Compatible with 2-wire remotes only



PIPING ACCESSORIES

UTP-AX090A	Separation Tube - 2-Pipe - 90 MBH or Less
UTP-AX180A	Separation Tube - 2-Pipe - 91 to 180 MBH
UTP-AX567A	Separation Tube - 2-Pipe - 180 MBH or More

CONTROLLER

UTY-RNRUZ4	Individual Touch Panel Controller (Wired Remote)
UTY-RSRY	Simple Remote (WITH Master Control) 2-Wire
UTY-RHRY	Simple Remote (WITHOUT Master Control) 2-Wire
UTY-LNHU	Wireless Remote Controller
UTY-DCGY	Central Remote Controller (100 units)
UTY-DTGYZ1	Touch Panel Controller with Internet (400 units)

ACCESSORIES

UTY-TTRX	3rd. Party thermostat convertor
----------	---------------------------------

WEIGHT AND DIMENSIONS

Enclosure - Net Weight - lbs [kg]	20 [9]
Enclosure - Gross Weight - lbs [kg]	24 [11]
Dimensions - Net (H x W x D) - in [mm]	10-9/16 x 33-1/16 x 8 [268 x 840 x 203]
Dimensions - Gross (H x W x D) - in [mm]	10-5/8 x 13-1/8 x 13-1/4 [270 x 334 x 336]

CAPACITY

Capacity - Cooling - Btu/h [kW]	12,000 [3.5]
Capacity - Heating - Btu/h [kW]	13,500 [4]

ELECTRICAL

Power Source	208 / 230V, 1-Phase, 60Hz
Available Voltage Range - VAC	187 to 253
Input Power - W	25
Full Load Amps - FLA - A	0.33
Max Circuit Breaker - A	15
Minimum Circuit Ampacity - MCA - A	0.42

FAN

Fan Type	Cross flow x 1
Airflow Rate - High Medium High - CFM [m³/h]	406 [690] 359 [610]
Airflow Rate - Medium Medium Low - CFM [m³/h]	330 [560] 312 [530]
Airflow Rate - Low Quiet - CFM [m³/h]	277 [470] 194 [330]

SOUND PRESSURE

Sound Pressure Level - dB(A)	24/30/33/35/37/40
------------------------------	-------------------

WIRING

Communication Cable	LonWorks (Fujitsu Pink Cable. See AE Bulletin 009)
---------------------	--

PIPING

Connection Pipe Diameter - Liquid (Brazing) - in [mm]	ø 1/4 [6.35]
Connection Pipe Diameter - Gas (Brazing) - in [mm]	ø 1/2 [12.70]
Connection Pipe Diameter - Drain (ID; OD) - in [mm]	ø 9/16 [14.3]
Drain-Pump	Optional

ETL

E.T.L.	91986
--------	-------

TEMPERATURE RANGES

Operating Temp. Cooling (DB) - °F [°C]	64 to 88 [18 to 31]
Operating Temp. Heating (DB) - °F [°C]	50 to 88 [10 to 31]

Note: Specifications are based on the following conditions:
 Cooling: Indoor temperature of 80°F (26.7°C) DB/67°F (19.4°C) WB, and outdoor temperature of 95°F (35°C) DB/75°F (23.9°C) WB.
 Heating: Indoor temperature of 70°F (21.1°C) DB/60°F (15.6°C) WB, and outdoor temperature of 47°F (8.3°C) DB/43°F (6.1°C) WB. Pipe length: 25ft. (7.5m), Height difference: 0ft. (0m) (Outdoor unit – indoor unit).

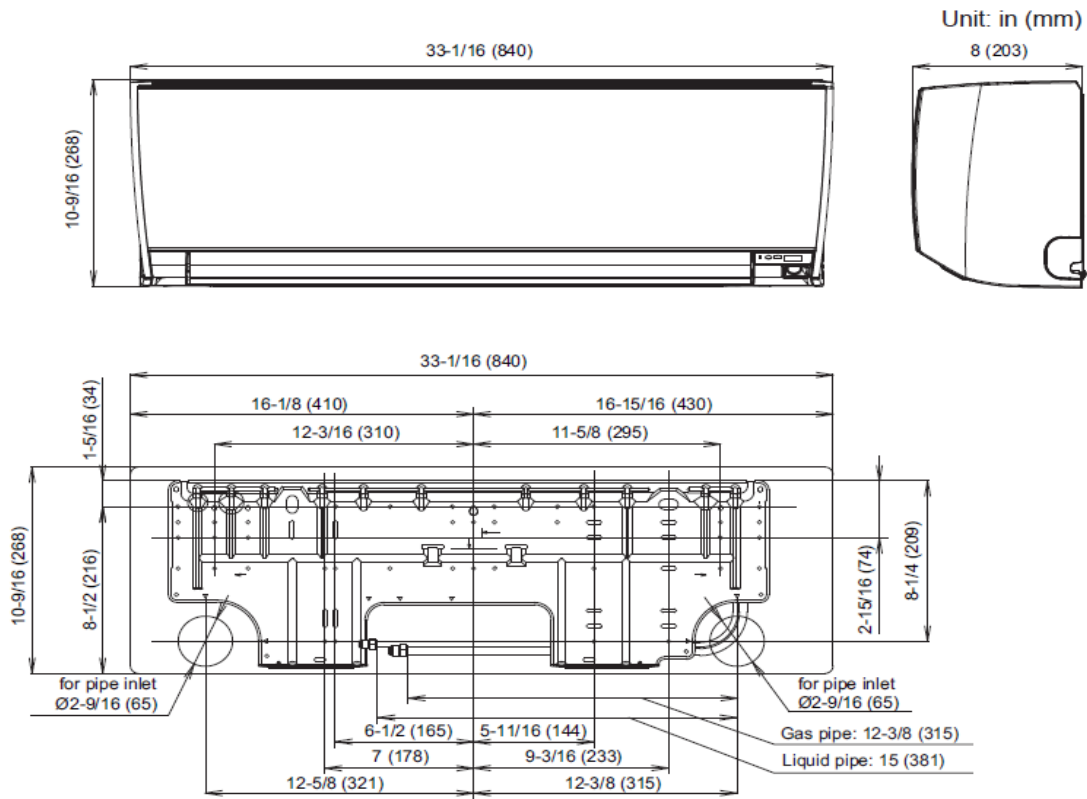


FUJITSU GENERAL AMERICA, INC.
 340 Changebridge Rd.
 Pine brook, NJ 07058
 Toll Free: (888) 888-3424
 Fax: (973) 836-0453
 www.airstagevrf.com

Compact Wall (12,000 BTU) Indoor Unit
For Heat-recovery/Heat-pump Airstage VRF System

DIMENSIONS

Unit: In. (mm)



FUJITSU GENERAL AMERICA, INC.
340 Changebridge Rd.
Pine brook, NJ 07058
Toll Free: (888) 888-3424
Fax: (973) 836-0453
www.airstagevrf.com