



Indirect-Fired Water Heaters

SUBMITTAL SHEET

JOB NAME _____

LOCATION _____

ARCH. / ENGR. _____

WHOLESALER _____

MECH. CONTRACTOR _____

MODEL NO. _____

NOTES

Standard Equipment

Aqua Pro Indirect-Fired Water Heaters:

- Lightweight, composite, easily maneuvered non-metallic tank
- Available in 4 sizes: 30, 55, 80, and 119 gallons
- No anode to check, no annual maintenance
- Convenient top connections
- Seamless tank construction, no welds
- Digital temperature control
- Removable copper finned high-output coil
- Durable brass drain valve
- Low heat loss, 2" foam insulation
- AHRI Certified—the trusted mark of performance assurance



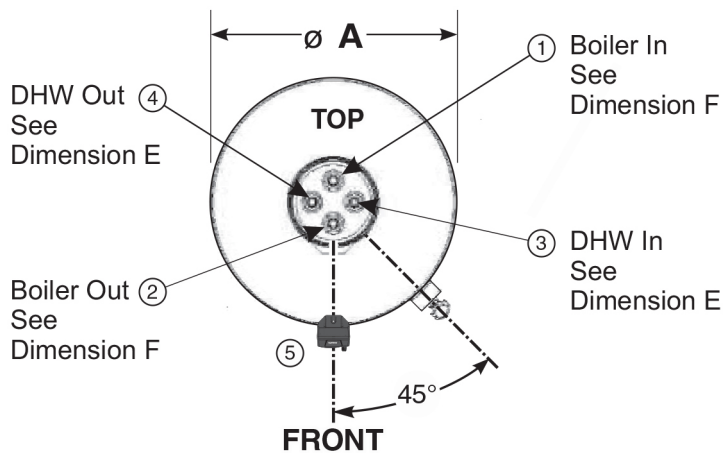
Specifications

AHRI Certified Data

180° F boiler water entering | 58° F to 135° F domestic water

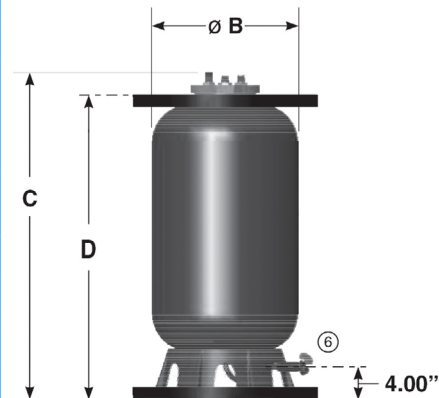
	Potable Water Volume	Heat Source Water Volume	First Draw Rating	Standby Heat Loss	Continuous Draw Rating	First Hour Rating	Minimum Heat Output Rate	Minimum Heat Source Flow Rate	Heat Source Friction Loss
	(Gal)	(Gal)	(Gal/hr)	Degrees F per hour	(Gal/hr)	(Gal/hr)	(MBH)	GPM	Feet w.c.
30	30.0	.3	22	.8	177	199	115	8.0	18.7
55	55.0	.3	40	.6	177	217	115	8.0	18.7
80	80.0	.6	66	.4	315	381	199	14.0	16.0
119	119.0	.8	96	.4	381	477	244	14.0	20.0

These ratings were obtained with a heat source output rate of 234,000 Btu/h at a heat source flow rate of 14 gpm. Other results shall be obtained under different conditions.



1. Boiler water inlet
2. Boiler water outlet
3. Cold domestic water inlet
4. Hot domestic water outlet
5. Electronic digital controller with adjustment knob
6. Drain (3/4")

	Dimensions						Shipping weight (approx.)
	A Overall Diameter	B Inner Tank Diameter	C Height to Fitting	D Height of Jacket	Connections		
					E DHW In/Out	F Boiler water In/Out	
Inches	Inches	Inches	Inches	Inches MNPT	Inches MNPT	Pounds	
30	22-3/4	18	40-1/2	37-3/4	3/4	3/4	70
55	28	24	41	38-1/8	3/4	3/4	95
80	28	24	53-1/2	50-3/4	1-1/2	1	125
119	28	24	74	71-1/4	1-1/2	1	155



In the interest of continual improvements in product and performance, Weil-McLain reserves the right to change specification without notice. For reference use only-see product manual for detailed information.